



Electronic Service Manuals

This electronic document is provided as a service to our customers. We do not create the contents of the information contained in this document. Should you have detailed questions pertaining to the information contained in this document, you may contact Michco, or the manufacturer which provided the original information in this electronic deliverable. Michco's only part in this electronic deliverable was the electronic assembly process. By providing this manual on line we are not guaranteeing parts availability.

You may contact Michco through the following methods:

Phone (517) 484-9312 or (800) 331-3339

2011 N. High St. -- Lansing, Michigan -- 48906

Fax: (517) 484-9836

Email: CustServe@Michco.com

Web site: www.Michco.Com

Parts Web site: www.FloorMachineParts.Com

Order Parts on Line at:

www.FloorMachineParts.Com

Directly to Parts & Service:

By Email: **Shop@Michco.com**

By Fax: (517) 702-2041

By Voice: Use numbers above.

Serving the Cleaning Industry Since 1922

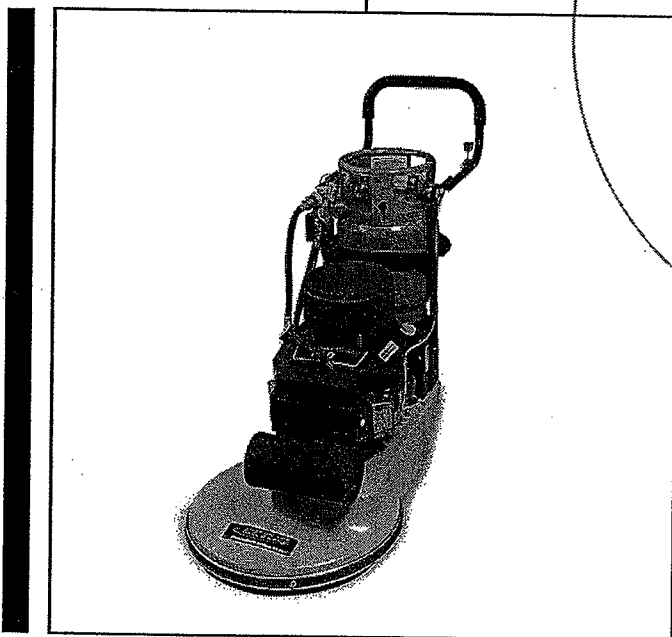
Notice: All copyrighted material remains property of original owners, all trademarks are property of respective owners. Manuals are subject to Manufacturer's reproduction limitations. Originals or reproductions were provided by manufacturers through a request. We make no warranty as to the correctness of information provided in this document and you assume all risk. By placing these manuals on line we are not declaring our corporation to be an manufacturer authorized dealer or provider, please check our web site for authorized manufacturers we represent.

POWERBUFF®

Optima QT 24 Propane Burnisher

Item #E12319-00

Operator's Manual Parts Schematic



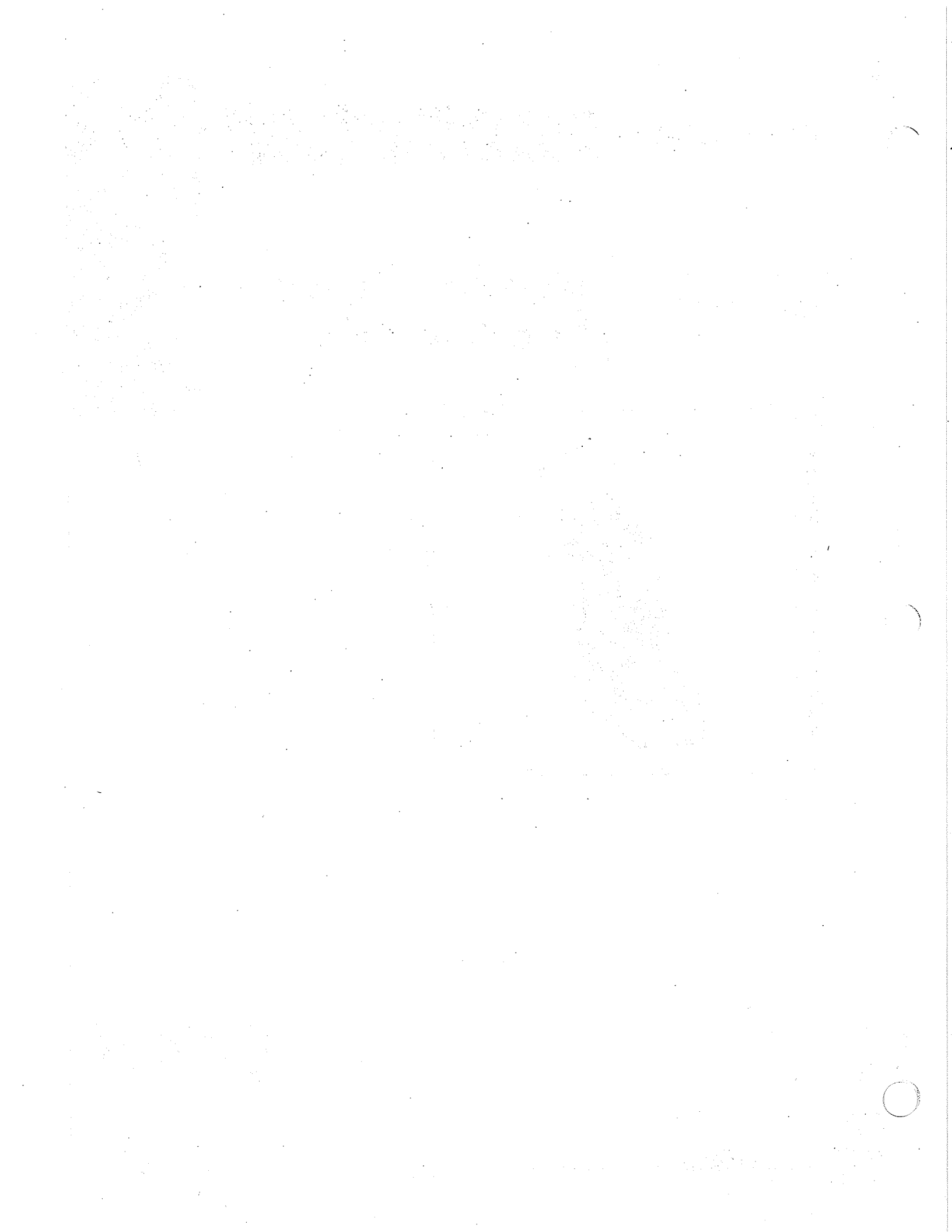
Chemicals

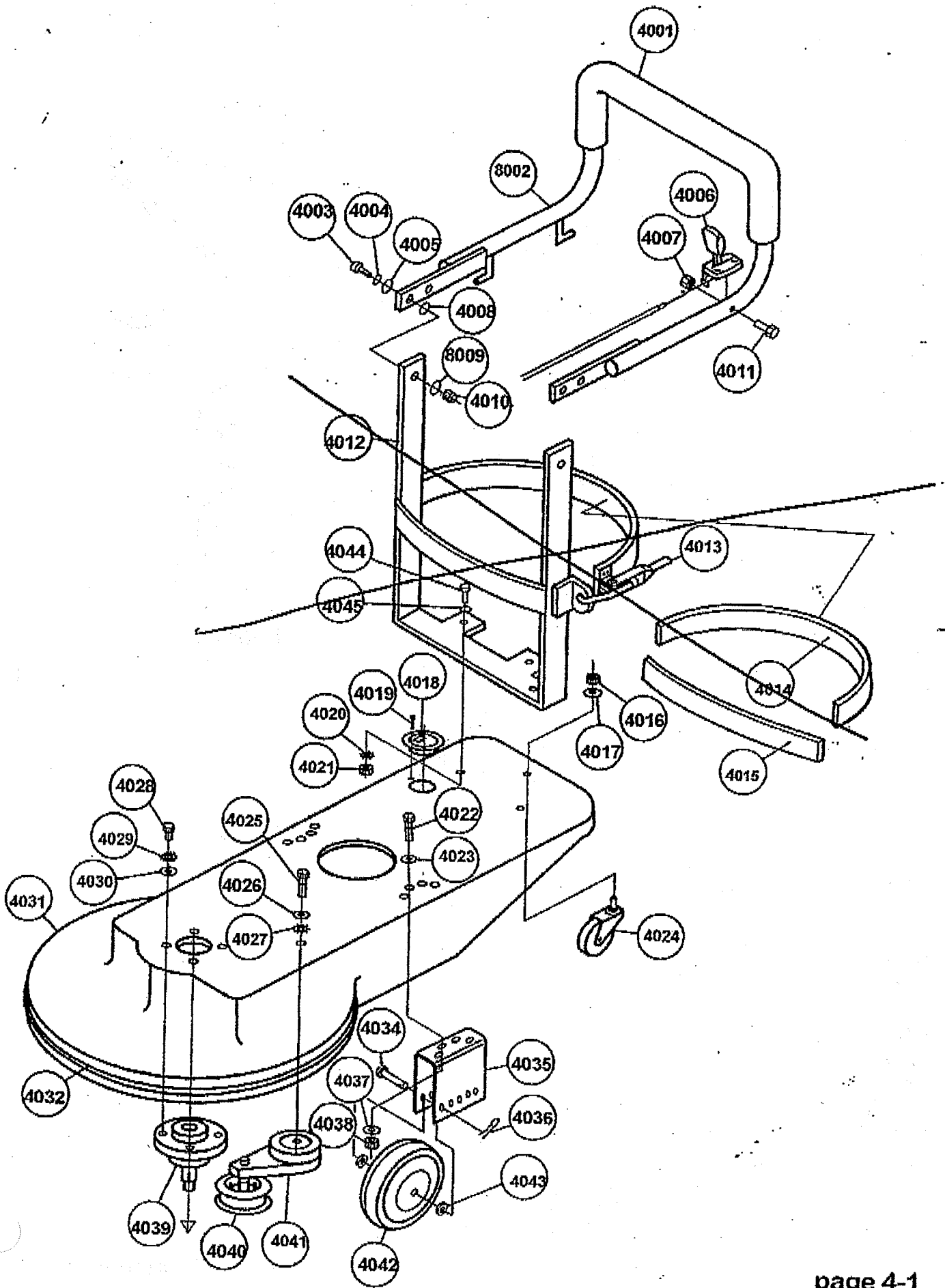
Equipment

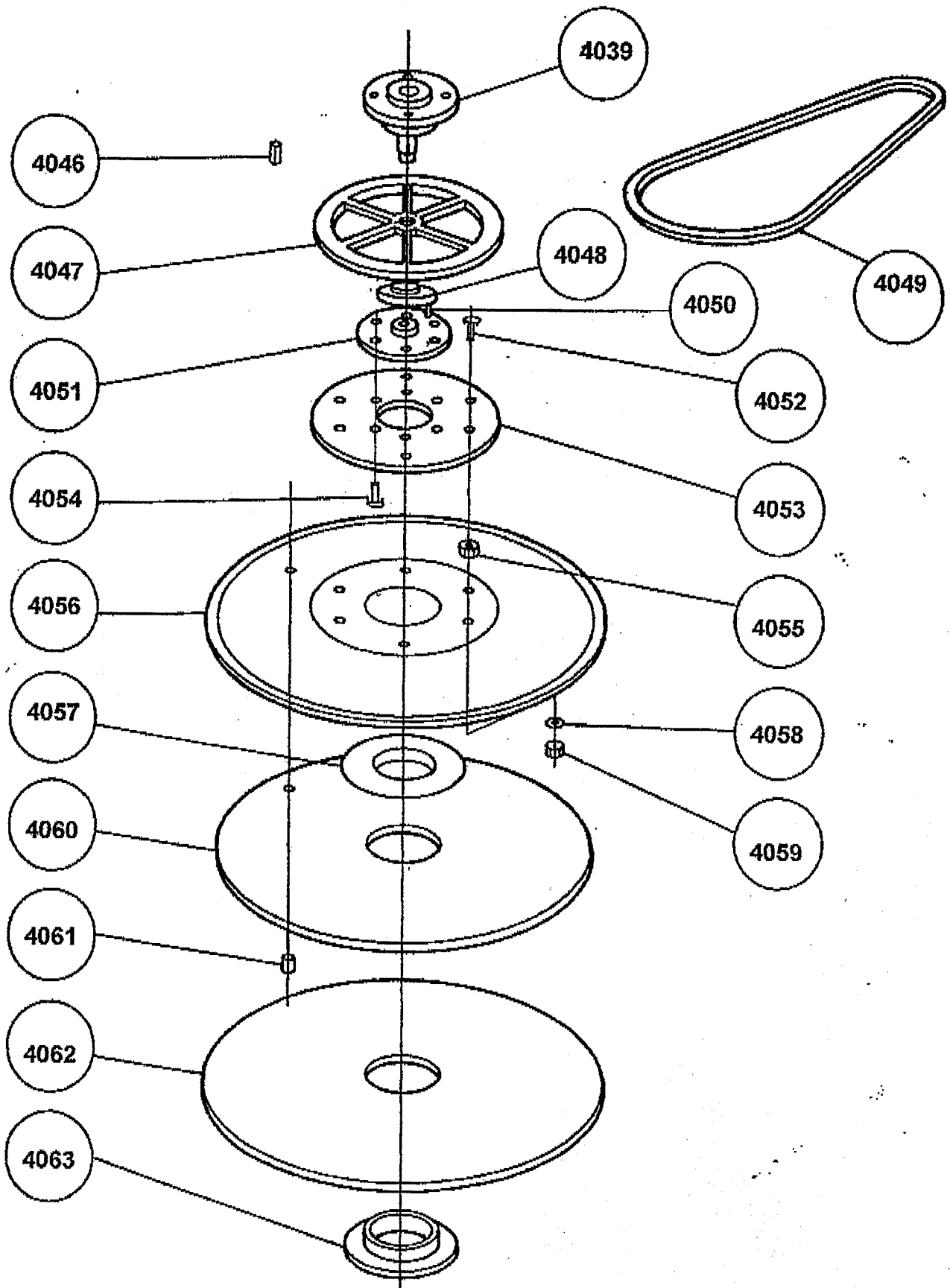
Programs

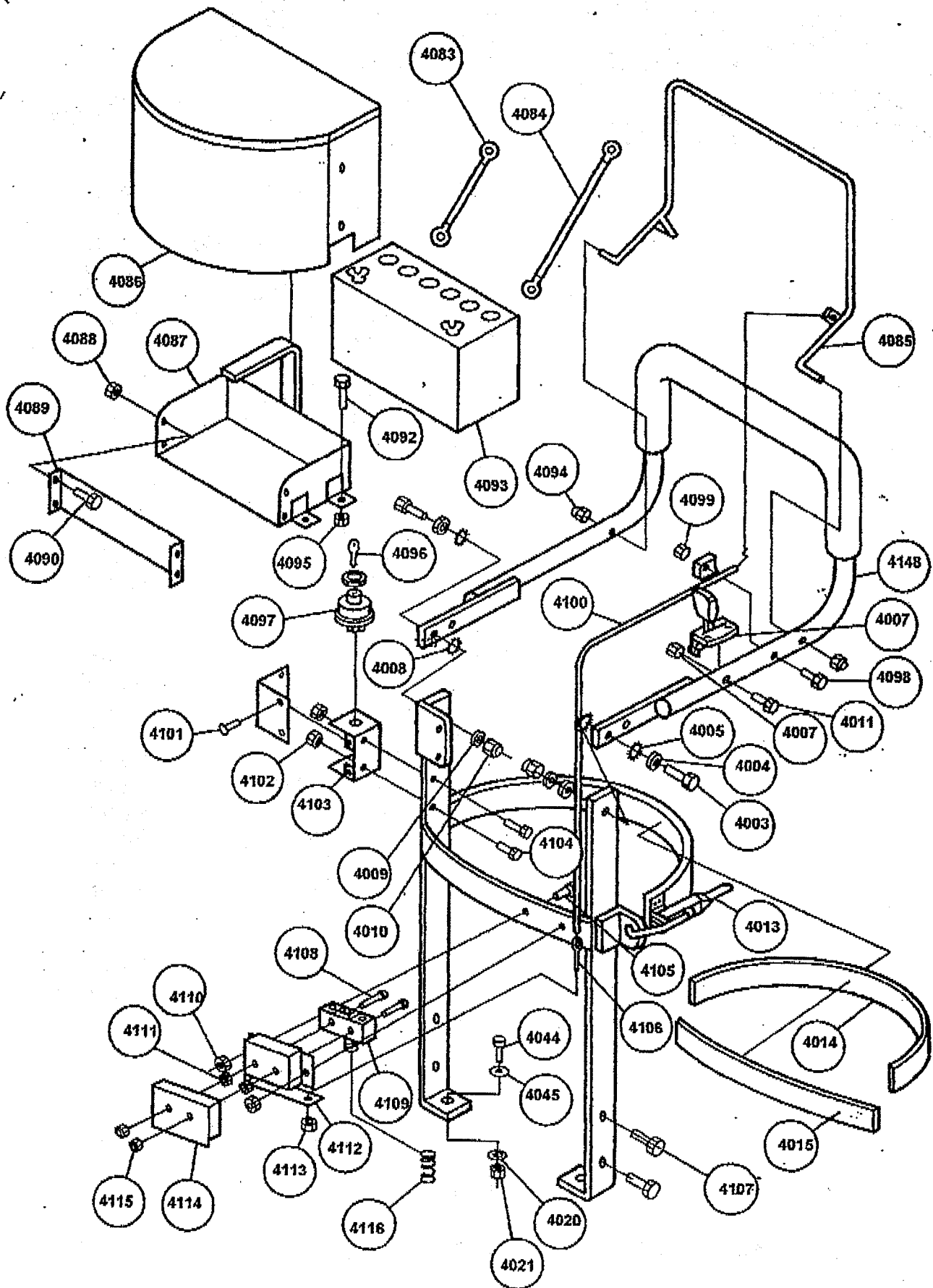
Process

BETCO®











When Performance Counts... You Can Count on POWERBUFF!

OPTIMA 390-24 & 782-24

REF #

DESCRIPTION

PBI#

4000	24" SCHEMATIC	P2001
4001	HAND GRIP	P1077
4002	UPPE HANDLE (12V)	P1064-U
4003	BOLT	P2003
4004	LOCK WASHER	P2004
4005	FLAT WASHER	P2005
4006	THROTTLE CABLE	P1068-44
4007	NUT	P2006
4008	LOCK WASHER	P2007
4009	LOCK WASHER	P2008
4010	NUT	P2009
4011	BOLT	P2010
4012	LOWER HANDLE (12V)	P1064-L
4013	LATCH SCREW	P1130
4014	FELT	P2011
4015	FELT	P2012
4016	NUT	P2020
4017	FLAT WASHER	P2023
4018	MAINTENANCE METER	P1076
4019	RIVET (3)	P2024
4020	LOCK WASHER	P2025
4021	NUT	P2019
4022	BOLT	P2026
4023	FLAT WASHER	P2025
4024	SWIVEL CASTER	P1074-1
4025	BOLT	P2028
4026	LOCK WASHER	P2029
4027	FLAT WASHER	P2030
4028	BOLT	P2031
4029	LOCK WASHER	P2032
4030	FLAT WASHER	P2033
4031	DECK	P1002-24
4032	BUMPER GUARD 63"	P1142
4033		
4034	WHEEL AXLE	P2164
4035	WHEEL BRACKET	P1051
4036	JAM NUT	P2164
4037	FLAT WASHER	P2025
4038	NUT	P2019
4039	FRONT END	P1050

POWERBUFF SCHEMATIC PARTS BREAKDOWN

PLEASE SPECIFY MODEL AND IF EQUIPPED WITH A CLUTCH!



When Performance Counts... You Can Count on POWERBUFF!

OPTIMA 390-24 & 782-24

<u>REF #</u>	<u>DESCRIPTION</u>	<u>PBI#</u>
4040	IDLER PULLEY	P1025
4041	BELT TENSIONER	P1071-1
4042	6" WHEEL	P1073
4043	WHEEL SPACER (2)	P2033
4044	BOLT	P2026
4045	FLAT WASHER	P2025
4046	KEY STOCK	P1036
4047	PULLEY	P1021
4048	BUSHING	P1018
4049	BELT, B-46	P1111
4050	BOLT	P2034
4051	PLATE	P1047
4052	BOLT (6)	P2027
4053	FLEX COUPLER	P1061
4054	BOLT (6)	P2027
4055	FLEX SPACER (6)	P1062
4056	PAD DRIVER	P1057-4
4057	CENTER DEVICE (MALE)	P1066-M
4058	WASHER	P2035
4059	NUT	P2019
4060	GRIPPER RING	P1065-22
4061	RIVET (6)	P2036
4062	FLOOR PAD	PAD24
4063	CENTE DEVICE (FEMALE)	P1066-F
4064		
4065		
4066	HOSE	P1007
4067	FITTING	P1013
4068	FUEL SHUTOFF	P1082-1
4069	FITTING	P1008
4070	HOSE	P1008
4071	VACUUM HOSE	P2013
4072	FITTING	P1011
4073	FUEL REGULATO	P1083-1
4074	FUEL HOSE	P2014
4075	FITTING	P1010
4076	VACUUM TEE	P2037
4077	VACUUM HOSE	P2015
4078	FITTING	P1012/P1008

POWERBUFF SCHEMATIC PARTS BREAKDOWN

PLEASE SPECIFY MODEL AND IF EQUIPPED WITH A CLUTCH!



When Performance Counts. . . You Can Count on POWERBUFF!

OPTIMA 390-24 & 782-24

<u>REF #</u>	<u>DESCRIPTION</u>	<u>PBI#</u>
4079	BOLT	P2021
4080	LOCK WASHER	P2022
4081	BOLT	P2021
4082	LOCK WASHER	P2022
4083	BATTERY CABLE	P1133-9
4084	BATTERY CABLE	P1133-20
4085	CLUTCH ARM	P1064-4
4086	BATTERY COVER	P1053
4087	BATTERY TRAY	P1054
4088	NUT	P2038
4089	BATTERY BRACKET	P1054
4090	BOLT	P2039
4091	VACUUM HOSE	P2016
4092	BOLT	P2040
4093	BATTERY	P1133
4094	NUT	P2041
4095	NUT	P2006
4096	KEY	48-340-01
4097	KEY SWITCH	308-0385
4098	BOLT	P2042
4099	NUT	P2006
4100	CABLE	P1132
4101	RIVET	P2043
4102	NUT	P2044
4103	KEY SWITCH BOX	P1055
4104	BOLT	P2040
4105	BOLT	P2045
4106	" I" BOLT	P2017
4107	SCREW	P2046
4108	SCREW	P2047
4109	SWITCH	P1064-2
4110	NUT	P2038
4111	NUT	P2048
4112		
4113	NUT	P2049
4114		
4115	NUT	P2048
4116	SPRING	P2018
4117	MOTOR MOUNT	P1036
4118	CLUTCH BRAKE ARM	P1064-4
4119		

POWERBUFF SCHEMATIC PARTS BREAKDOWN

PLEASE SPECIFY MODEL AND IF EQUIPPED WITH A CLUTCH!



When Performance Counts. . . You Can Count on POWERBUFF!

OPTIMA 390-24 & 782-24

<u>REF #</u>	<u>DESCRIPTION</u>	<u>PBI#</u>
4120	NUT	P2019
4121	WASHER	P2025
4122	WASHER	P2025
4123	BOLT	P2026
4124	NUT	P2006
4125	BOLT	P2040
4126	HANDLE BRACKET	P1092
4127	CLUTCH	P1067-CB
4128	WASHER	P2050
4129	BOLT	P2051
4130	BELT SHROU	P1138
4131	BOLT	P2052
4132		
4133	PNEUMATIC WHEEL	P1041
4134	AXLE	P1042
4135	LOCK COLLARS (4)	P1043
4136	SPLASH GUARD	P1034-74
4137	BOLT	P2053
4138		
4139	DECK	P1002-24
4140	BOLT	P2054
4141	BUSHING	P1029
4142	BELT	P1033
4143	PULLEY	P1032
4144	FRONT END	P1045
4145		
4146	WASHER	P2055
4147	BOLT	P2054

POWERBUFF SCHEMATIC PARTS BREAKDOWN

PLEASE SPECIFY MODEL AND IF EQUIPPED WITH A CLUTCH!

This catalog covers:
FH541V-□S06

GRID NO. This grid covers:
A-01 TITLE

PARTS CATALOG

4-STROKE ENGINE

FH541V

PRODUCT CODE	NOTE
FH541V-AS06	FLOOR BUFFER
FH541V-BS06	

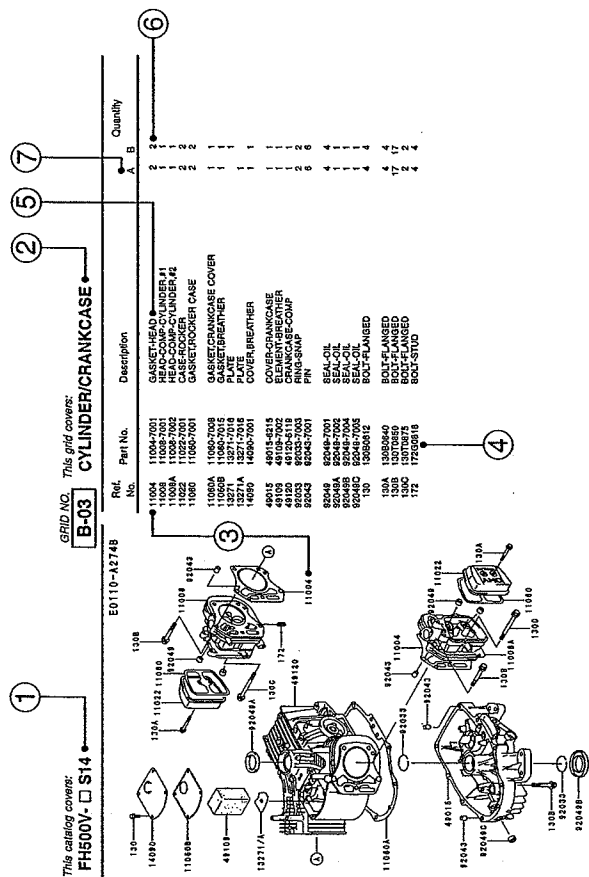
PARTS CATALOG INTRODUCTION

This parts catalog lists parts and sub-assemblies provided as service parts. When it becomes necessary to replace parts, always use KAWASAKI GENUINE PARTS which have passed strict inspection which guarantees quality and performance.

1. HOW TO ORDER PARTS

- When ordering the parts, be sure to use the parts catalog corresponding to the product code. Check the product revision codes on the product and the catalog.
Product Code (example) : FA130D-AA00
- Specify the part code (all digits) exactly as listed in this catalog on your parts order.
- The parts not shown in the illustrations of this catalog are not sold separately; only the complete units or next higher assemblies illustrated are supplied as the service parts.

2. EXPLANATION OF PARTS CATALOG FORMAT



1) Product Code

This code describes the product code covered by this catalog. The product revision code, which is a part of the product code, is omitted.

2) Part Group Title

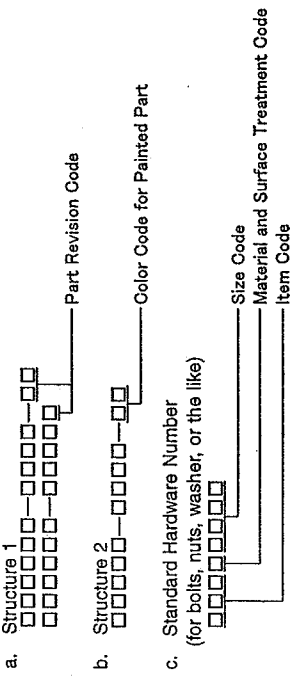
This title is the representative name for the group of parts illustrated on the page.

3) Reference Number

The reference numbers are shown on the illustration and the list as the link between them.

4) Part Number

This is the key of your parts ordering. Three kinds of part number are used in this catalog.



5) Description and Additional Information

The part name, the location, the size, and the serial number as additional information, etc. are described here. Use them to find out and check the part required. When a part number is changed without change of the product revision code and the changed parts are not interchangeable, the serial number of the product is noted as follows:

- () : Affected units are from beginning of the product of the product code up to and including this serial number.
- (FA130 - 100002) : Affected units are from this serial number and above.
- (FA130 - 100002 - FA130 - 110001) : Affected units are in this serial number range.

6) Quantity

The figure shows quantity of the part required at the indicated position on the illustration and for the specified product revision code. The asterisk (*) on this column means the part can be used as the substitute on the product and is supplied until the stock is exhausted.

Note: Some small parts will be supplied by units. Example: if six (6) bolts are ordered and the minimum quantity per unit is five (5), two (2), units of the bolt will be delivered.

7) Product Revision Code

This Code indicates an important change which affects the service parts interchangeability.

3. ABBREVIATIONS

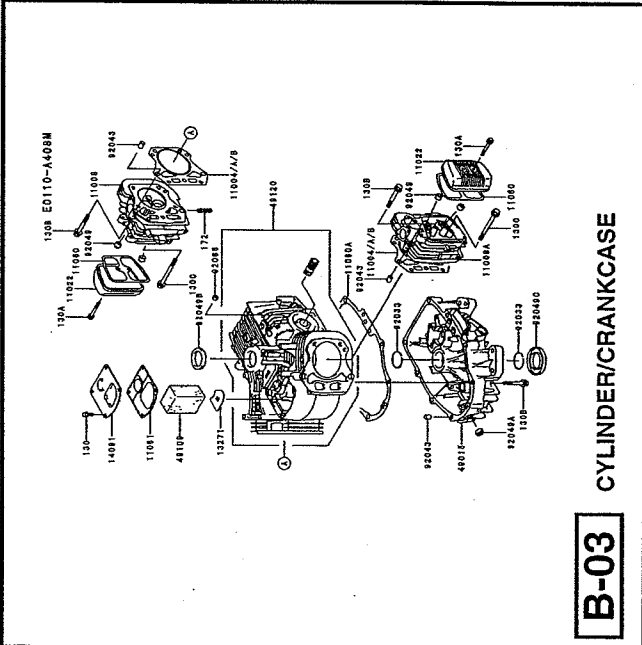
#.....	Number	FR.....	Front	RH.....	Right Hand
&.....	And	G.....	Gram	RPM.....	Revolutions Per Minute
(+)	Plus	HEX.....	Hexagonal	RR.....	Rear
(-)	Minus	ID=.....	Inside Diameter	STD.....	Standard
2ND.....	Second	IN.....	Inch	T.....	Teeth
3RD.....	Third	L=.....	Length	T=.....	Thickness
4TH.....	Fourth	LH.....	Left Hand	U/S.....	Under Size
A.....	As Required	LWR.....	Lower	UPP.....	Upper
AR.....	As Required	MM.....	Millimeter	V.....	Volt
ASSY.....	Assembly	O/S.....	Over Size	W.....	Watt
CNT.....	Center	OD=.....	Outside Diameter		
COMP.....	Complete	REF.....	Reference		

This catalog covers:

FH541V- □ S06

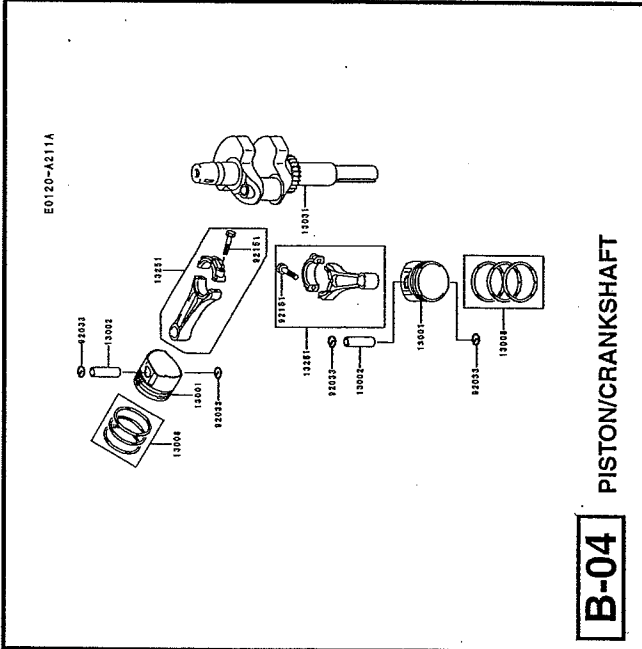
GRID NO. This grid covers:

B-01 PICTORIAL INDEX



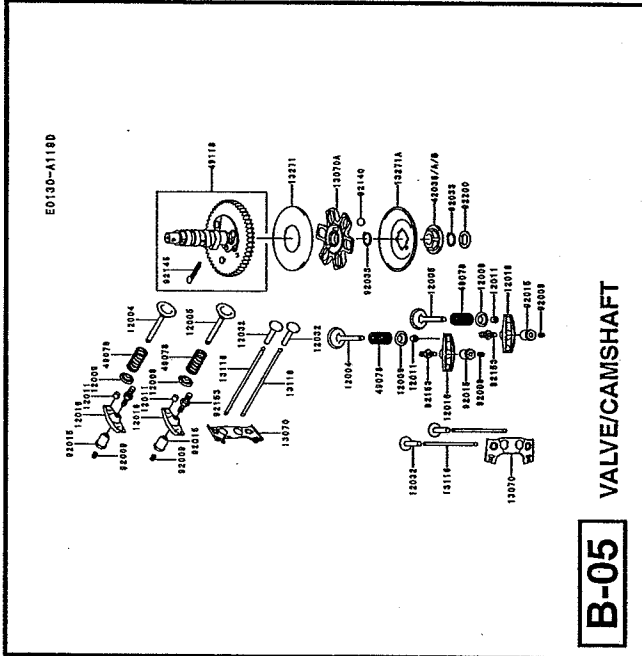
B-03

CYLINDER/CRANKCASE



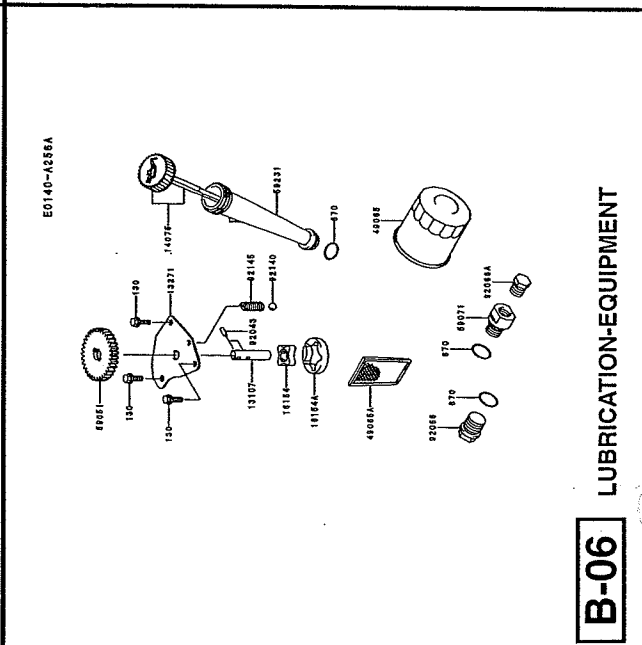
B-04

PISTON/CRANKSHAFT



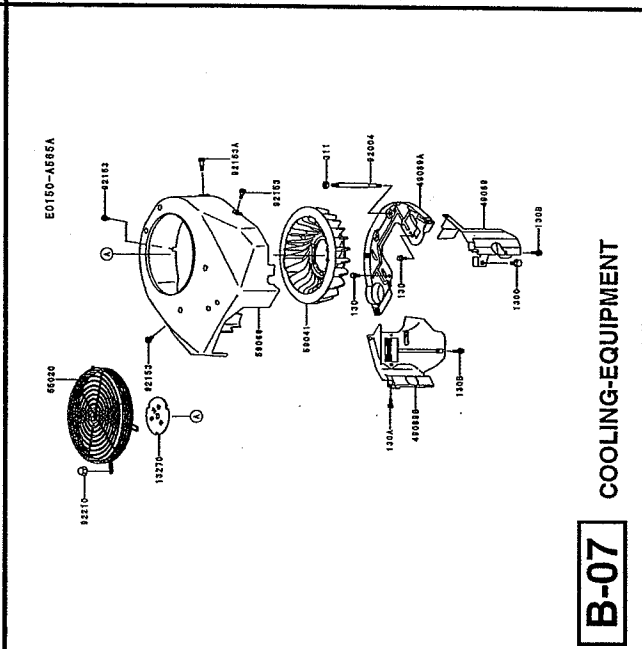
B-05

VALVE/CAMSHAFT



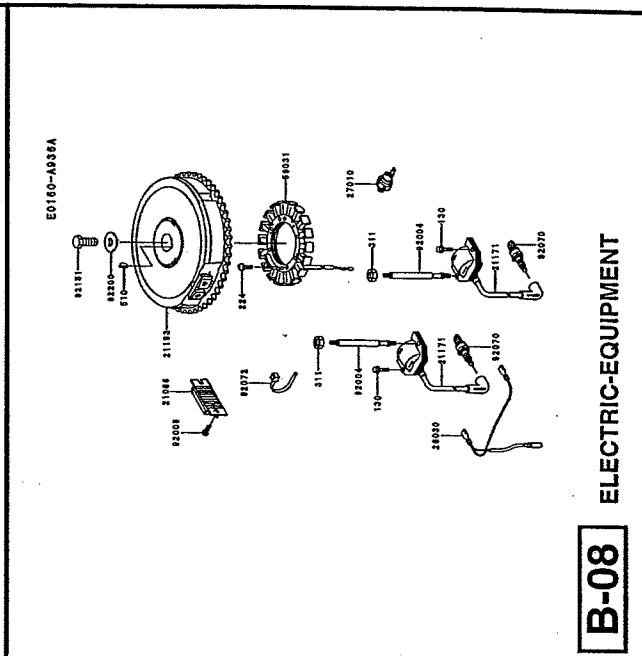
B-06

LUBRICATION-EQUIPMENT



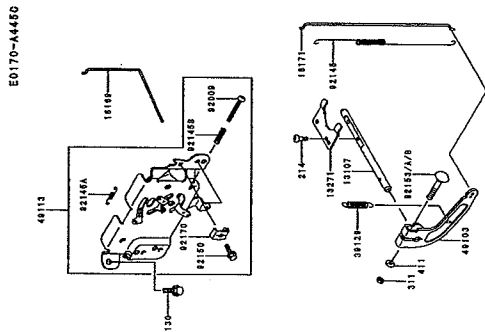
B-07

COOLING-EQUIPMENT

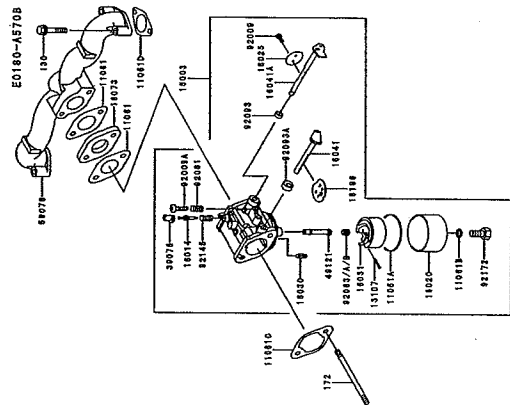


B-08

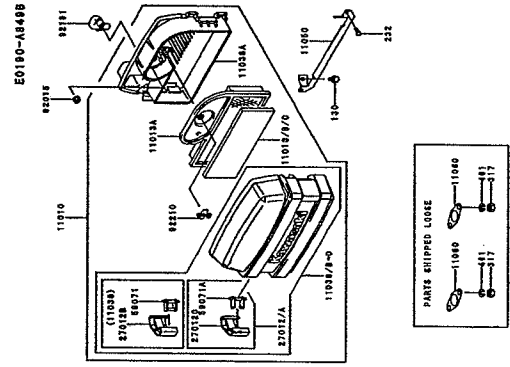
ELECTRIC-EQUIPMENT



B-09 CONTROL-EQUIPMENT



B-10 CARBURETOR



B-11 AIR-FILTER/MUFFLER

This catalog covers:
FH541V- □ S06

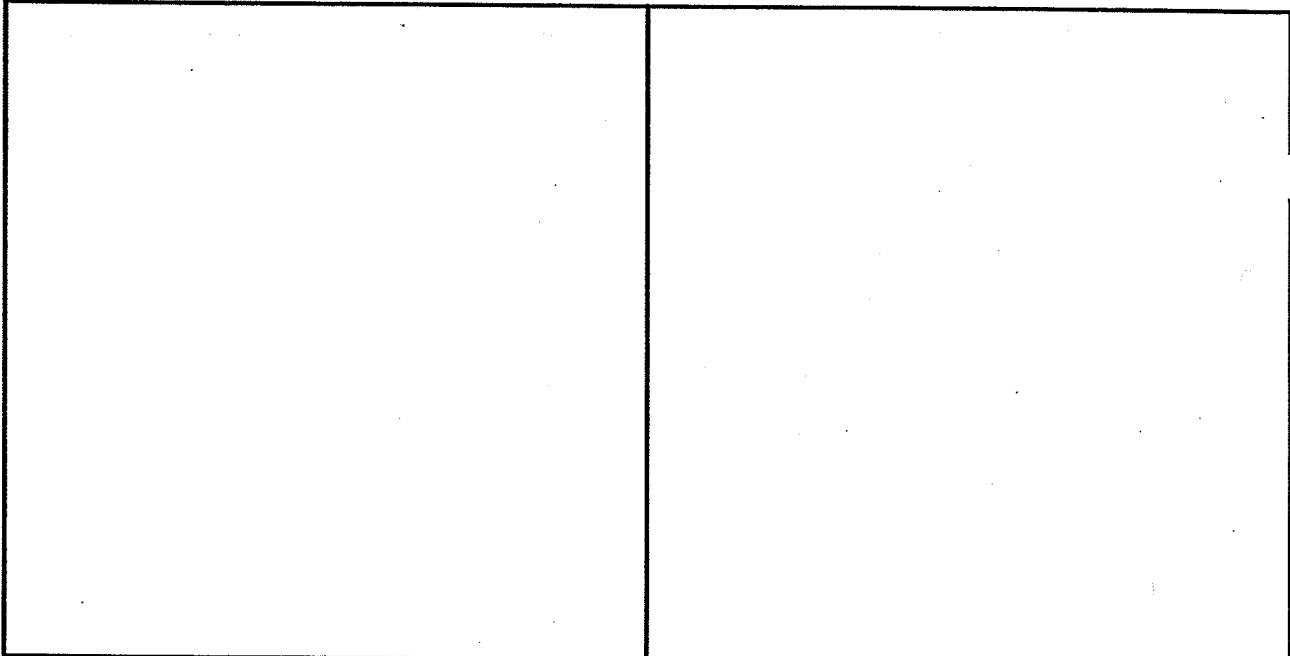
GRID NO. This grid covers:
C-01 PICTORIAL INDEX

E0200-A374A

C-03 FUEL-TANK/FUEL-VALVE

E0210-A205A

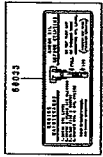
C-04 STARTER



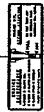
This catalog covers:
FH541V- □ S06

Grid O. This grid covers:
D-01 PICTORIAL INDEX

F0290-B254A



81023A/S



81023



81023



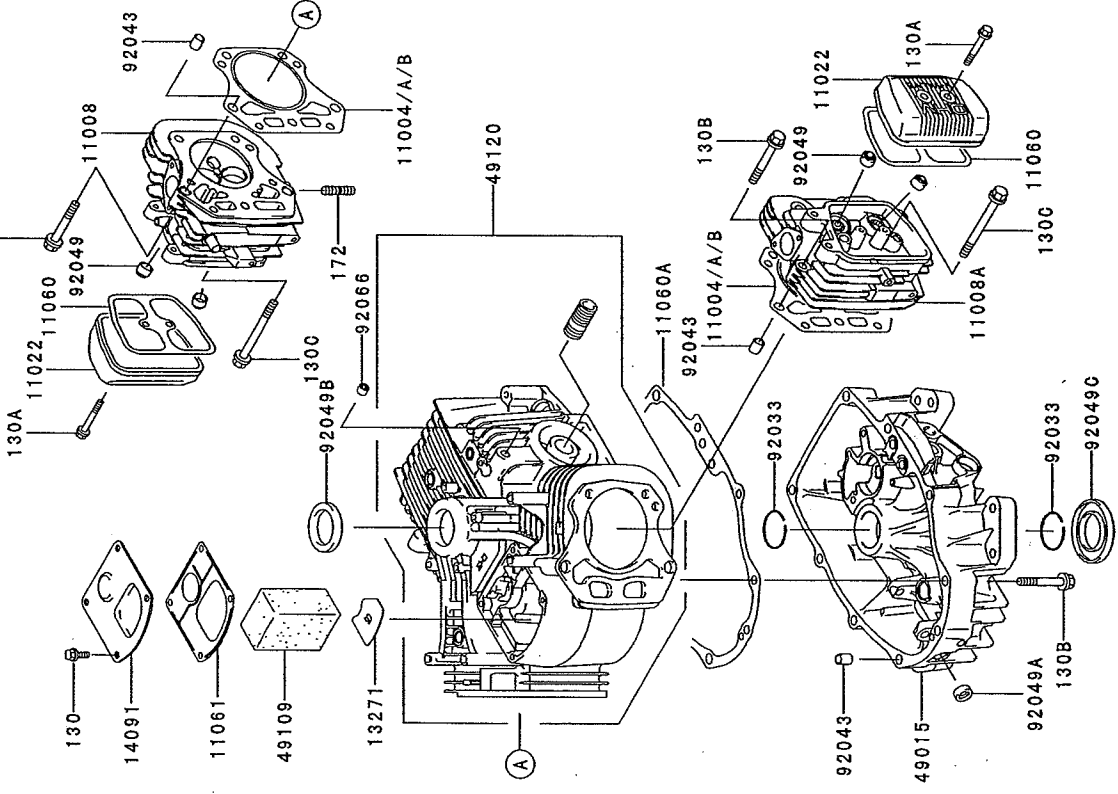
D-03 LABEL

This catalog covers:
FH541V- □ S06

GRID NO. This grid covers:

B-03 CYLINDER/CRANKCASE

130B E0110-A408M



Ref. No.	Part No.	Description	Quantity	
			A	B
11004	11004-7010	GASKET-HEAD	*	
11004A	11004-7016	GASKET-HEAD	2	2
11004B	11004-7016	GASKET-HEAD	1	1
11008	11008-6043	HEAD-COMP-CYLINDER,#1	1	1
11008A	11008-7020	HEAD-COMP-CYLINDER,#2	1	1
11022	11022-7003	CASE-ROCKER	2	2
11060	11060-7001	GASKET,ROCKER CASE	2	2
11060A	11060-7008	GASKET,CRANKCASE COVER	1	1
11061	11061-7001	GASKET,BREATHER	1	1
13271	13271-7016	PLATE	1	1
14091	14091-7006	COVER	1	1
49015	49015-6253	COVER-CRANKCASE	1	1
49109	49109-7002	ELEMENT-BREATHER	1	1
49120	49120-7023	CRANKCASE-COMP	1	1
92033	92033-7003	RING-SNAP	2	2
92043	92043-7001	PIN	6	6
92049	92049-7001	SEAL-OIL,RVC2 6X11X10.2	4	4
92049A	92049-7005	SEAL-OIL,SO 8X14X5 HS	1	1
92049B	92049-7010	SEAL-OIL,SD 35X48X8 R HS	1	1
92049C	92049-7011	SEAL-OIL,SD 35X62X8 L HS	1	1
92066	92066-7002	PLUG	1	1
130	130B0612	BOLT-FLANGED	4	4
130A	130B0640	BOLT-FLANGED	4	4
130B	130T0850	BOLT-FLANGED	17	17
130C	130T0875	BOLT-FLANGED	2	2
172	172G0818	BOLT-STUD	4	4

This catalog covers:
FH541V- □ S06

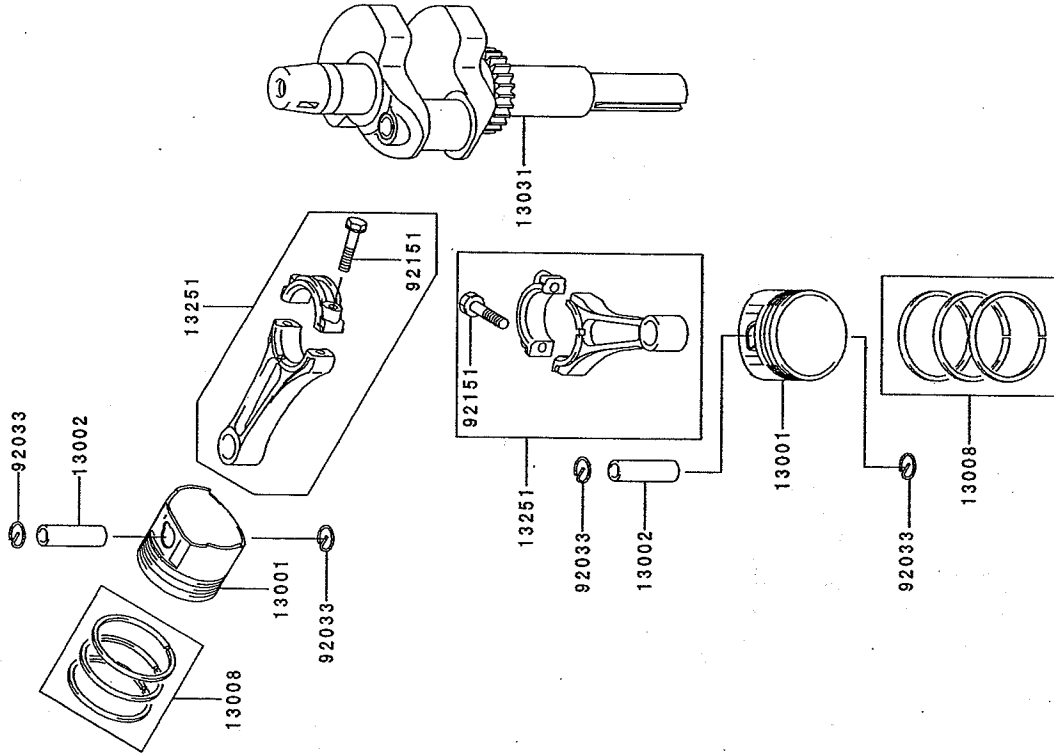
GRID NO. 7ms grid covers:

B-04

PISTON/CRANKSHAFT

E0120-A211A

Ref. No.	Part No.	Description	Quantity	
			A	B
13001	13001-7010	PISTON-ENGINE	2	2
13002	13002-7001	PIN-PISTON	2	2
13008	13008-6060	RING-SET-PISTON	2	2
13031	13031-7036	CRANKSHAFT-COMP	1	1
13251	13251-7010	ROD-ASSY-CONNECTING	2	2
92033	92033-7005	RING-SNAP	4	4
92151	92151-7017	BOLT,6X35	4	4



This catalog covers:

FH541V- □ S06

GRID NO. This grid covers:

B-05

VALVE/CAMSHAFT

E0130-A119D

Quantity

A B

Ref. No.

Part No.

Description

Quantity

A B

Description

Part No.

Description

Quantity

A B

Description

Part No.

Description

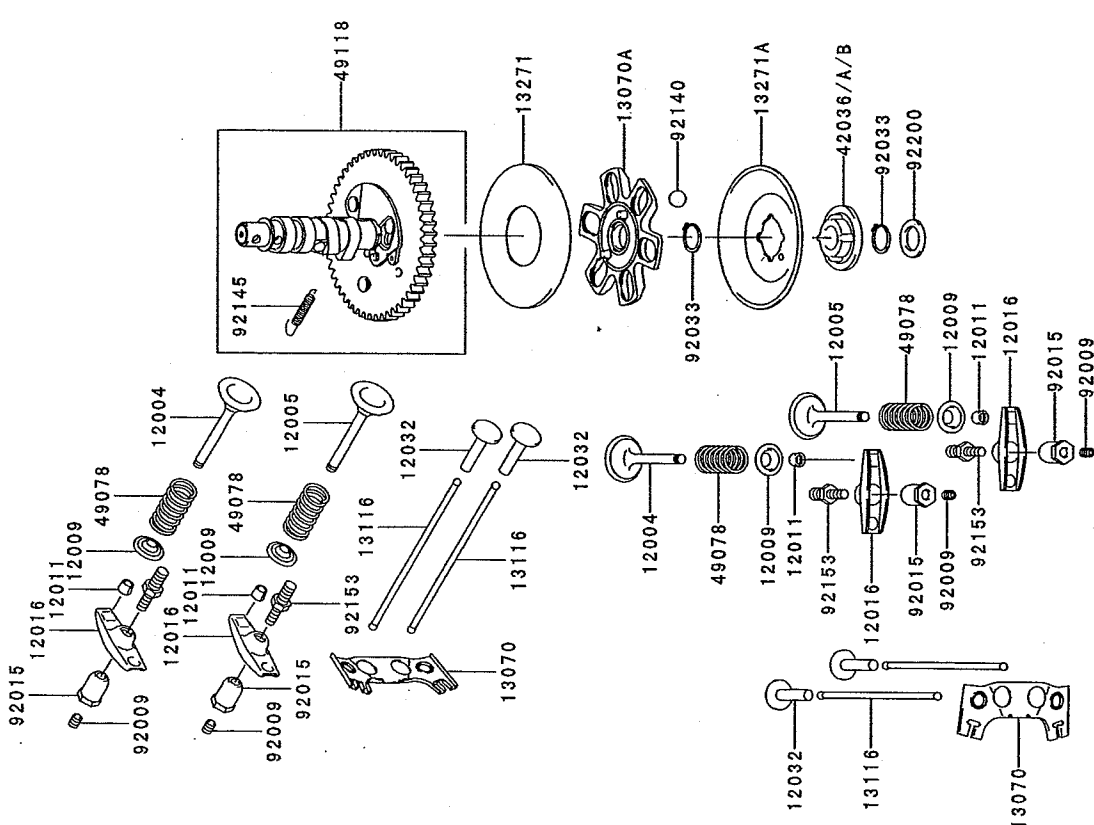
Quantity

A B

Description

Part No.

Description



This catalog covers:

FH541V- □ S06

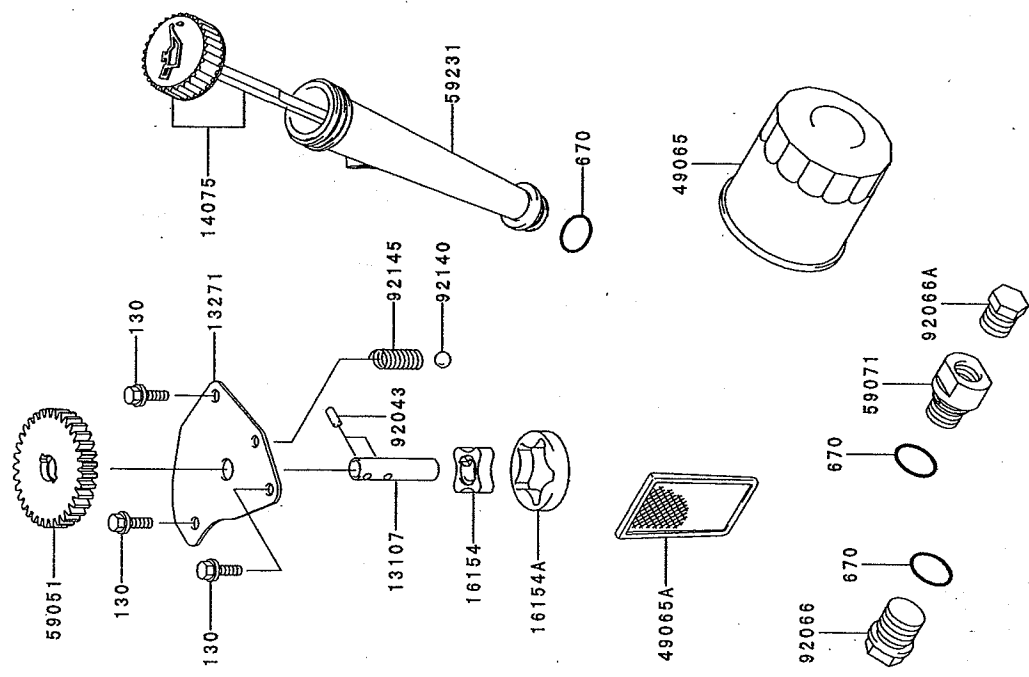
GRID NO. This grid covers:

B-06

LUBRICATION-EQUIPMENT

E0140-A256A

Ref. No.	Part No.	Description	Quantity	
			A	B
13107	13107-7009	SHAFT	1	1
13271	13271-7017	PLATE	1	1
14075	14075-7009	CAP-ASSY	1	1
16154	16154-2053	ROTOR-PUMP,IN	1	1
16154A	16154-2054	ROTOR-PUMP,OUT	1	1
49065	49065-2078	FILTER-OIL	1	1
49065A	49065-7004	FILTER-OIL	1	1
59051	59051-7011	GEAR-SPUR	1	1
59071	59071-7004	JOINT	1	1
59231	59231-7005	FILLER	1	1
92043	92043-7003	PIN	2	2
92066	92066-7003	PLUG	1	1
92066A	92066-7006	PLUG	1	1
92140	92140-7003	BALL	1	1
92145	92145-7002	SPRING	1	1
130	130B0612	BOLT-FLANGED	3	3
670	670D2016	O. RING,16MM	3	3



This catalog covers:

FH541V- □ S06

GRID NO. This grid covers:

B-07

COOLING-EQUIPMENT

E0150-A565A

Quantity

A B

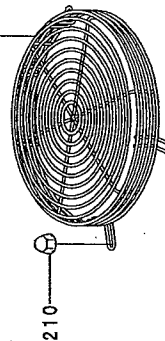
Description

Part No.

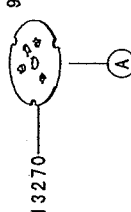
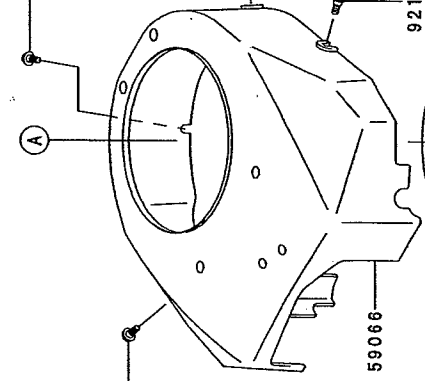
Ref. No.

E0150-A565A

55020



92153



13270

92153A

92153

59066

59041

130

130

130A

49089B

130B

49089

130C

130B

13270-7007
49089-7002
49089A-7032
49089B-7034
55020-7004

59041-7010
59066-7002
92004-7006
92153-7007
92153A-7008

92210-0003
130B0612
130A0616
130B0625
130C0616

311 311B0600

PLATE
SHROUD-ENGINE
SHROUD-ENGINE
SHROUD-ENGINE
GUARD

FAN
HOUSING-FAN
STUD
BOLT
BOLT

NUT
BOLT-FLANGED
BOLT-FLANGED
BOLT-FLANGED
BOLT-FLANGED

NUT-HEX

1 1 1 1 1 1

1 1 2 3 1

4 2 1 2 1

2 2



E0160-A936A

Quantity

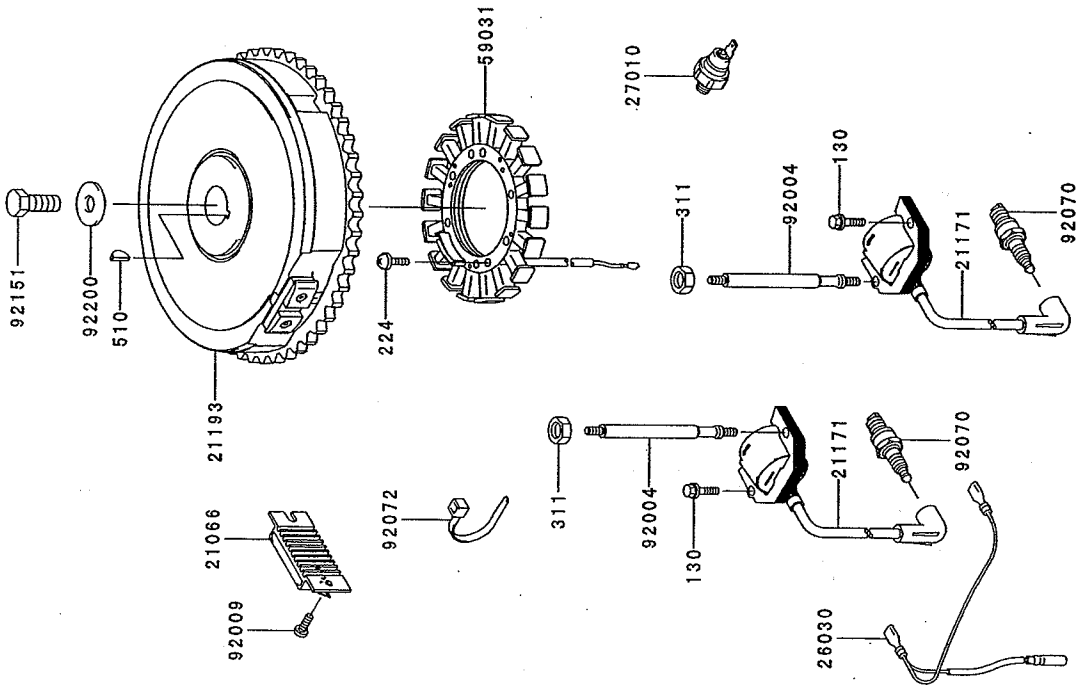
A B

Description

Part No.

Ref. No.

No.



Ref. No.	Part No.	Description	A	B	Quantity
21066	21066-7011	REGULATOR-VOLTAGE	1	1	1
21171	21171-7013	COIL-ASSY-IGNITION	2	2	2
21193	21193-7007	FLYWHEEL-ASSY	1	1	1
26030	26030-7001	HARNES	1	1	1
27010	27010-7002	SWITCH	1	1	1
59031	59031-7009	COIL-CHARGING	1	1	1
92004	92004-7009	STUD	2	2	2
92009	92009-2308	SCREW	1	1	1
92070	92070-7003	PLUG-SPARK,RCJ8Y,SOLID	2	2	2
92072	92072-7003	BAND	2	2	2
92151	92151-2097	BOLT,12X30	1	1	1
92200	92200-7002	WASHER	1	1	1
130	130B0620	BOLT-FLANGED	2	2	2
224	224B0520	SCREW-PAN-WP-CROS	4	4	4
311	311B0600	NUT-HEX	2	2	2
510	510A5100	KEY-WOODRUFF	1	1	1

This catalog covers:

FH541V- □ S06

GRID NO. This grid covers:

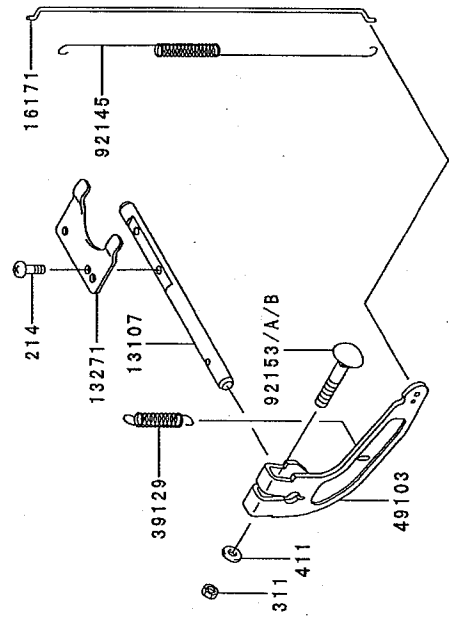
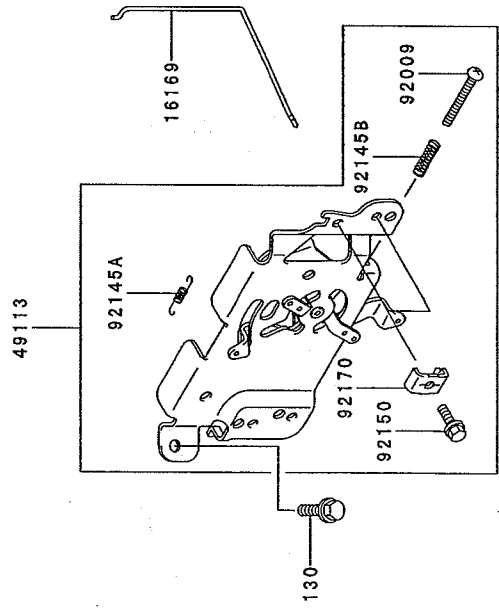
B-09

CONTROL-EQUIPMENT

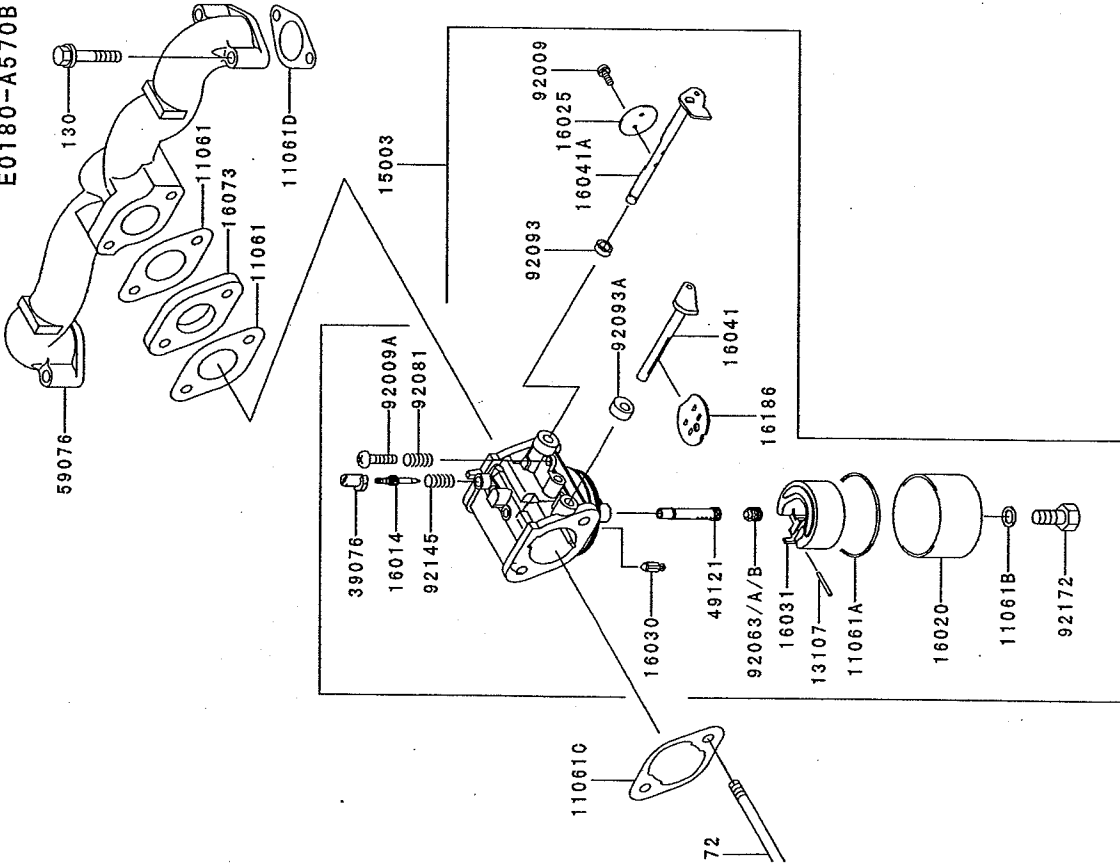
E0170-A445C

Quantity

Ref. No.	Part No.	Description	Quantity	
			A	B
13107	13107-7010	SHAFT	1	1
13271	13271-7018	PLATE	1	1
16169	16169-7010	LINK-CHOKE	1	1
16171	16171-7001	LINK	1	1
39129	39129-7003	SPRING-GOVERNOR	1	1
49103	49103-7004	ARM-GOVERNOR	1	1
49113	49113-7011	PANEL-COMP-CONTROL	1	1
92009	92009-7007	SCREW,4X35	1	1
92145	92145-7003	SPRING	1	1
92145A	92145-7004	SPRING	1	1
92145B	92145-7005	SPRING	1	1
92150	92150-2182	BOLT,5X18	2	2
92153	92153-7005	BOLT,6X35	*	2
92153A	92153-7033	BOLT,6X35	1	1
92153B	92153-7033	BOLT,6X35	1	1
92170	92170-7001	CLAMP	2	2
130	130B0612	BOLT-FLANGED	2	2
214	214B0408	SCREW-PAN+-	2	2
311	311B0600	NUT-HEX	1	1
411	411B0600	WASHER-PLAIN	1	1



E0180-A570B



Ref. No.	Part No.	Description	Quantity	
			A	B
11061	11061-7004	GASKET,INSULATOR	2	2
11061A	11061-7009	GASKET,CHAMBER	1	1
11061B	11061-7010	GASKET,SCREW	1	1
11061C	11061-7018	GASKET,AIR CLEANER	1	1
11061D	11061-7019	GASKET	2	2
13107	13107-7018	SHAFT	1	1
15003	15003-7085	CARBURETOR-ASSY	1	1
16014	16014-7007	SCREW-PILOT AIR	1	1
16020	16020-7003	CHAMBER-FLOAT	1	1
16025	16025-7006	VALVE-THROTTLE	1	1
16030	16030-7003	VALVE-FLOAT	1	1
16031	16031-7002	FLOAT	1	1
16041	16041-7016	SHAFT-CARBURETOR,CHOKE	1	1
16041A	16041-7018	SHAFT-CARBURETOR,THROTTLE	1	1
16073	16073-7007	INSULATOR	1	1
16186	16186-7004	VALVE-ASSY-CHOKE	1	1
39076	39076-7001	LIMITER	1	1
49121	49121-7007	NOZZLE-MAIN	1	1
59076	59076-7001	MANIFOLD-INTAKE	1	1
92009	92009-2083	SCREW	2	2
92009A	92009-2349	SCREW	1	1
92063	92063-7046	JET-MAIN,#100	1	1
92063A	92063-7047	JET-MAIN,#098,3280FT	AR	AR
92063B	92063-7063	JET-MAIN,#96,6560FT	AR	AR
92081	92081-2234	SPRING	1	1
92093	92093-2100	SEAL	1	1
92093A	92093-7003	SEAL	1	1
92145	92145-7015	SPRING	1	1
92172	92172-7002	SCREW	1	1
130	130B0635	BOLT-FLANGED	4	4
172	172G0685	BOLT-STUD	2	2

This catalog covers:

FH541V- □ S06

GRID NO. This grid covers:

B-11

AIR-FILTER/MUFFLER

E0190-A849B

Quantity

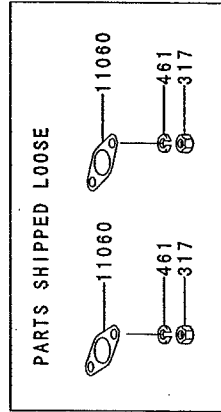
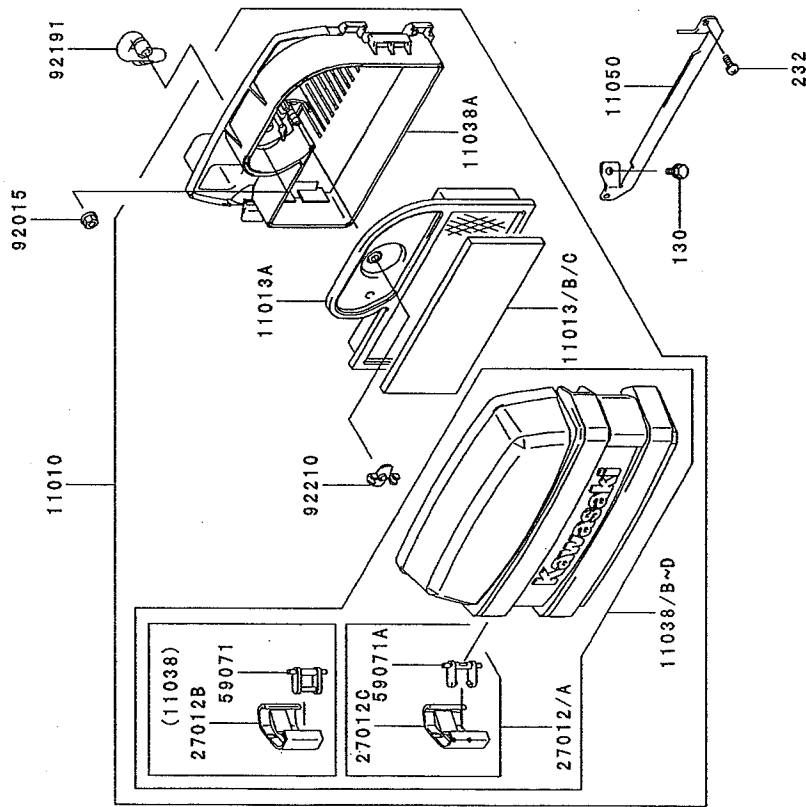
A B

Description

Part No.

Ref. No.

Ref. No.	Part No.	Description	A	B	Quantity
11010	11010-7008	FILTER-ASSY-AIR	1	1	1
11013	11013-7001	ELEMENT-AIR FILTER	*		1
11013A	11013-7006	ELEMENT-AIR FILTER	1	1	1
11013B	11013-7033	ELEMENT-AIR FILTER	1	1	1
11013C	11013-7033	ELEMENT-AIR FILTER	1	1	1
11038	11038-7001	CASE-ASSY-AIR FILTER	*		1
11038A	11038-7006	CASE-ASSY-AIR FILTER	1	*	1
11038B	11038-7011	CASE-ASSY-AIR FILTER	1	*	1
11038C	11038-7011	CASE-ASSY-AIR FILTER	1	1	1
11038D	11038-7013	CASE-ASSY-AIR FILTER	1	1	1
11050	11050-7006	BRACKET	1	1	1
11060	11060-7021	GASKET,MUFFLER	2	2	2
27012	27012-6003	HOOK,HOOK & JOINT SET	2	*	2
27012A	27012-6003	HOOK,HOOK & JOINT SET	2	*	2
27012B	27012-7001	HOOK,AIR FILTER	2	*	2
27012C	27012-7003	HOOK	2		2
59071	59071-7001	JOINT	*		2
59071A	59071-7017	JOINT	2	2	2
92015	92015-1193	NUT	2	2	2
92191	92191-7001	TUBE	1	1	1
92210	92210-7004	NUT	1	1	1
130	130B0612	BOLT-FLANGED	2	2	2
232	232B0514	SCREW-PAN-WS++	2	2	2
317	317F0800	NUT-HEX-SMALL	4	4	4
461	461F0800	WASHER-SPRING	4	4	4



This catalog covers:

FH541V- □ S06

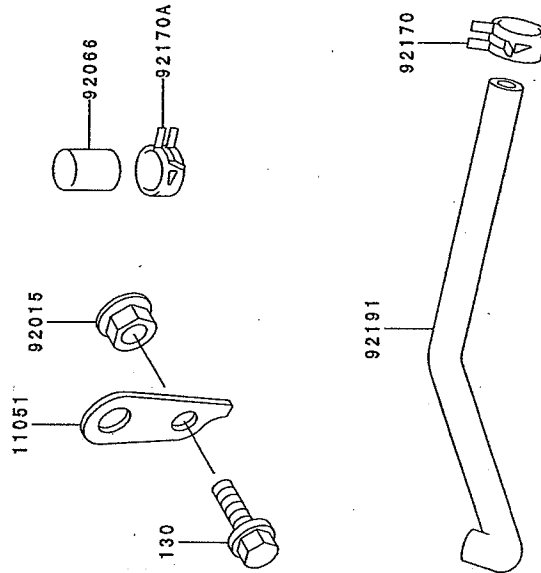
GRID NO. 7ms grid covers:

C-03

FUEL-TANK/FUEL-VALVE

E0200-A274A

Ref. No.	Part No.	Description	Quantity	
			A	B
11051	11051-7001	BRACKET	1	1
92015	92015-1143	NUT	1	1
92066	92066-2096	PLUG	1	1
92170	92170-2088	CLAMP	1	1
92170A	92170-7003	CLAMP	1	1
92191	92191-7004	TUBE	1	1
130	130B0620	BOLT-FLANGED	1	1



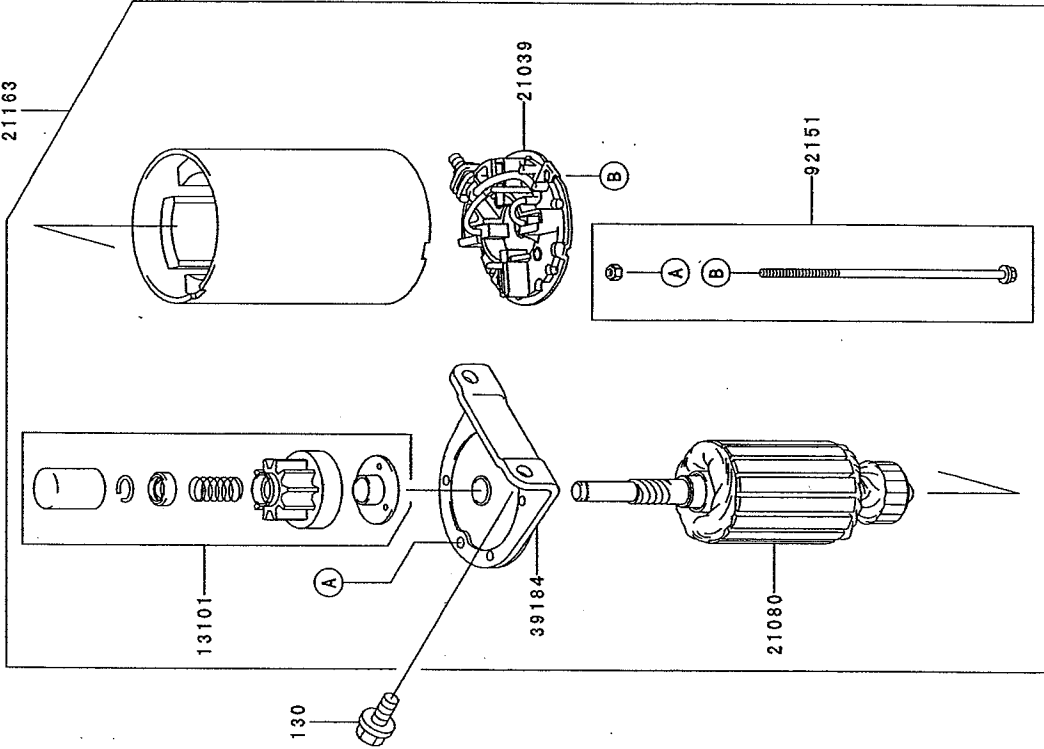
This catalog covers:

FH541V- □ S06

GRID NO. This grid covers:

C-04 STARTER

E0210-A205A



Quantity

Ref. No.	Part No.	Description	A	B	Quantity
13101	13101-7003	GEAR-ASSY	1		1
21039	21039-7004	BRUSH	1		1
21080	21080-7001	ARMATURE	1		1
21163	21163-7010	STARTER-ELECTRIC	1		1
39184	39184-7004	BRACKET-ASSY	1		1
92151	92151-7013	BOLT	1		1
130	130B0816	BOLT-FLANGED	2		2

This catalog covers:
FH541V - □ S06

GRID NO. This grid covers:
D-03 LABEL

F0290-B254A

Quantity

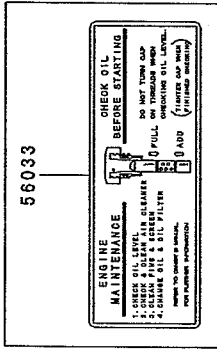
A B

Description

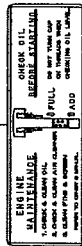
Part No.

Ref. No.

Ref. No.	Part No.	Description	A	B	Quantity
56033	56033-7002	LABEL-MANUAL	*		1
56033A	56033-7003	LABEL-MANUAL			1
56033B	56033-7003	LABEL-MANUAL			1
56070	56070-7001	LABEL-WARNING			1
56080	56080-7021	LABEL-BRAND			1



56033A/B



56070



56080



This catalog covers:
FH541V- □ S06

GRID NO. This grid covers:

H-09

PART NAME INDEX

AIR-FILTER/MUFFLER..... B-11
CARBURETOR..... B-10
CONTROL-EQUIPMENT B-09
COOLING-EQUIPMENT B-07
CYLINDER/CRANKCASE..... B-03
ELECTRIC-EQUIPMENT B-08
FUEL-TANK/FUEL-VALVE C-03
LABEL..... D-03
LUBRICATION-EQUIPMENT B-06
PISTON/CRANKSHAFT B-04
STARTER..... C-04
VALVE/CAMSHAFT B-05

This catalog covers:

FH541V- □ S06

GR. **H-10** This grid covers:

H-10

NUMERICAL PARTS INDEX

Part No.	Grid No.	Part No.	Grid No.	Part No.	Grid No.	Part No.	Grid No.
11004-7010.....	B-03	13270-7007.....	B-07	49113-7011.....	B-09	92150-2182.....	B-09
11004-7016.....	B-03	13271-7007.....	B-05	49118-7004.....	B-05	92151-2097.....	B-08
11004-7016.....	B-03	13271-7016.....	B-03	49120-7023.....	B-03	92151-7013.....	C-04
11008-6043.....	B-03	13271-7017.....	B-06	49121-7007.....	B-10	92151-7017.....	B-04
11008-7020.....	B-03	13271-7018.....	B-09	510A5100.....	B-08	92153-7005.....	B-09
11010-7008.....	B-11	13271-7021.....	B-05	56020-7004.....	B-07	92153-7007.....	B-07
11013-7001.....	B-11	14075-7009.....	B-06	56033-7002.....	D-03	92153-7008.....	B-07
11013-7006.....	B-11	14091-7006.....	B-03	56033-7003.....	D-03	92153-7019.....	B-05
11013-7033.....	B-11	15003-7085.....	B-10	56033-7003.....	D-03	92153-7033.....	B-09
11013-7033.....	B-11	16014-7007.....	B-10	56070-7001.....	D-03	92153-7033.....	B-09
11022-7003.....	B-03	16020-7003.....	B-10	56080-7021.....	D-03	92170-2088.....	C+03
11038-7001.....	B-11	16025-7006.....	B-10	59031-7009.....	B-08	92170-7001.....	B-09
11038-7006.....	B-11	16030-7003.....	B-10	59041-7010.....	B-07	92170-7003.....	C-03
11038-7011.....	B-11	16031-7002.....	B-10	59051-7011.....	B-06	92172-7002.....	B-10
11038-7011.....	B-11	16041-7016.....	B-10	59066-7002.....	B-07	92191-7001.....	B-11
11038-7013.....	B-11	16041-7018.....	B-10	59071-7001.....	B-11	92191-7004.....	C-03
11050-7006.....	B-11	16073-7007.....	B-10	59071-7004.....	B-06	92200-7001.....	B-05
11051-7001.....	C-03	16154-2053.....	B-06	59071-7017.....	B-11	92200-7002.....	B-05
11060-7001.....	B-03	16154-2054.....	B-06	59076-7001.....	B-10	92210-0003.....	B-08
11060-7008.....	B-03	16169-7010.....	B-09	59231-7005.....	B-06	92210-7004.....	B-11
11060-7021.....	B-11	16171-7001.....	B-09	670D2016.....	B-06		
11061-7001.....	B-03	16186-7004.....	B-10	92004-7006.....	B-07		
11061-7004.....	B-10	172G0685.....	B-10	92004-7009.....	B-08		
11061-7009.....	B-10	172G0618.....	B-03	92009-2083.....	B-10		
11061-7010.....	B-10	21039-7004.....	C-04	92009-2308.....	B-08		
11061-7018.....	B-10	21066-7011.....	B-08	92009-2341.....	B-05		
11061-7019.....	B-10	21080-7001.....	C-04	92009-2349.....	B-10		
12004-7003.....	B-05	21163-7010.....	C-04	92009-7007.....	B-09		
12005-7003.....	B-05	21171-7013.....	B-08	92015-1143.....	C-03		
12009-7001.....	B-05	21193-7007.....	B-08	92015-1193.....	B-11		
12011-2056.....	B-05	214B0408.....	B-09	92015-2253.....	B-05		
12016-7001.....	B-05	224B0520.....	B-08	92033-7001.....	B-05		
12032-7001.....	B-05	23250514.....	B-11	92033-7003.....	B-03		
13001-7010.....	B-04	26030-7001.....	B-08	92033-7005.....	B-04		
13002-7001.....	B-04	27010-7002.....	B-08	92043-7001.....	B-03		
13008-6060.....	B-04	27012-6003.....	B-11	92043-7003.....	B-06		
13031-7036.....	B-04	27012-7001.....	B-11	92049-7001.....	B-03		
13070-7001.....	B-05	27012-7003.....	B-11	92049-7005.....	B-03		
13070-7004.....	B-05	311B0600.....	B-11	92049-7010.....	B-03		
130B0612.....	B-03	311B0600.....	B-07	92049-7011.....	B-03		
130B0612.....	B-06	311B0600.....	B-08	92063-7046.....	B-10		
130B0612.....	B-07	311B0600.....	B-09	92063-7047.....	B-10		
130B0612.....	B-09	317F0800.....	B-11	92063-7063.....	B-10		
130B0612.....	B-11	39076-7001.....	B-10	92066-2096.....	C-03		
130B0616.....	B-07	39129-7003.....	B-09	92066-7002.....	B-03		
130B0620.....	B-08	39184-7004.....	C-04	92066-7003.....	B-06		
130B0620.....	C-03	411E0600.....	B-09	92066-7006.....	B-06		
130B0623.....	B-07	42036-7009.....	B-05	92070-7003.....	B-08		
130B0635.....	B-10	42036-7009.....	B-05	92072-7003.....	B-08		
130B0640.....	B-03	42036-7010.....	B-05	92081-2234.....	B-10		
130B0612.....	B-06	461F0800.....	B-11	92093-2100.....	B-10		
130B0612.....	B-07	49015-6253.....	B-11	92093-7003.....	B-10		
130B0816.....	B-07	49065-2078.....	B-03	92140-7002.....	B-10		
130B0816.....	C-04	49065-7004.....	B-06	92140-7003.....	B-06		
130T0850.....	B-03	49078-7001.....	B-06	92145-7001.....	B-05		
130T0875.....	B-03	49089-7002.....	B-05	92145-7002.....	B-05		
13101-7003.....	C-04	49089-7002.....	B-07	92145-7003.....	B-06		
13107-7009.....	B-06	49089-7032.....	B-07	92145-7003.....	B-09		
13107-7010.....	B-09	49089-7032.....	B-07	92145-7004.....	B-09		
13107-7018.....	B-09	49103-7004.....	B-07	92145-7005.....	B-09		
13116-2057.....	B-05	49103-7004.....	B-09	92145-7015.....	B-09		
13251-7010.....	B-04	49109-7002.....	B-03				

