



## Electronic Service Manuals

This electronic document is provided as a service to our customers. We do not create the contents of the information contained in this document. Should you have detailed questions pertaining to the information contained in this document, you may contact Michco, or the manufacturer which provided the original information in this electronic deliverable. Michco's only part in this electronic deliverable was the electronic assembly process. By providing this manual on line we are not guaranteeing parts availability.

You may contact Michco through the following methods:

Phone (517) 484-9312 or (800) 331-3339

2011 N. High St. -- Lansing, Michigan -- 48906

Fax: (517) 484-9836

Email: [CustServe@Michco.com](mailto:CustServe@Michco.com)

Web site: [www.Michco.Com](http://www.Michco.Com)

Parts Web site: [www.FloorMachineParts.Com](http://www.FloorMachineParts.Com)

Order Parts on Line at:

**[www.FloorMachineParts.Com](http://www.FloorMachineParts.Com)**

Directly to Parts & Service:

By Email: **[Shop@Michco.com](mailto:Shop@Michco.com)**

By Fax: (517) 702-2041

By Voice: Use numbers above.

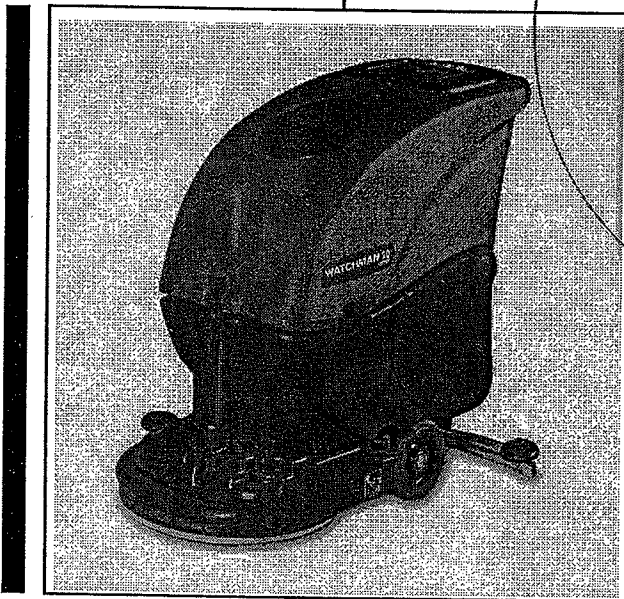
**Serving the Cleaning Industry Since 1922**

Notice: All copyrighted material remains property of original owners, all trademarks are property of respective owners. Manuals are subject to Manufacturer's reproduction limitations. Originals or reproductions were provided by manufacturers through a request. We make no warranty as to the correctness of information provided in this document and you assume all risk. By placing these manuals on line we are not declaring our corporation to be an manufacturer authorized dealer or provider, please check our web site for authorized manufacturers we represent.

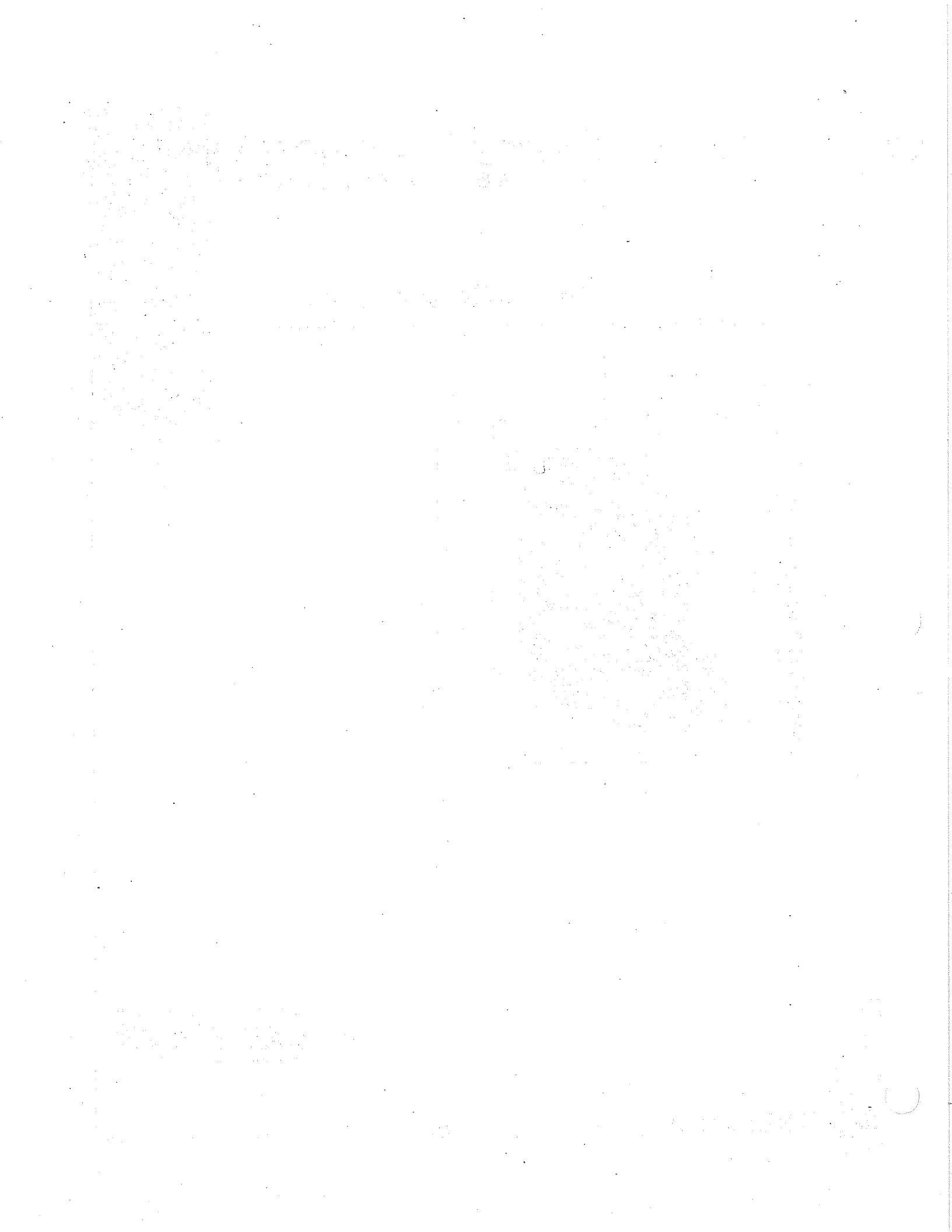
# WS20 Watchman™ 20" Auto Scrubber

## Parts Schematic

Item #86008



*Better Resources. Better Results.*  
**BETCO®**

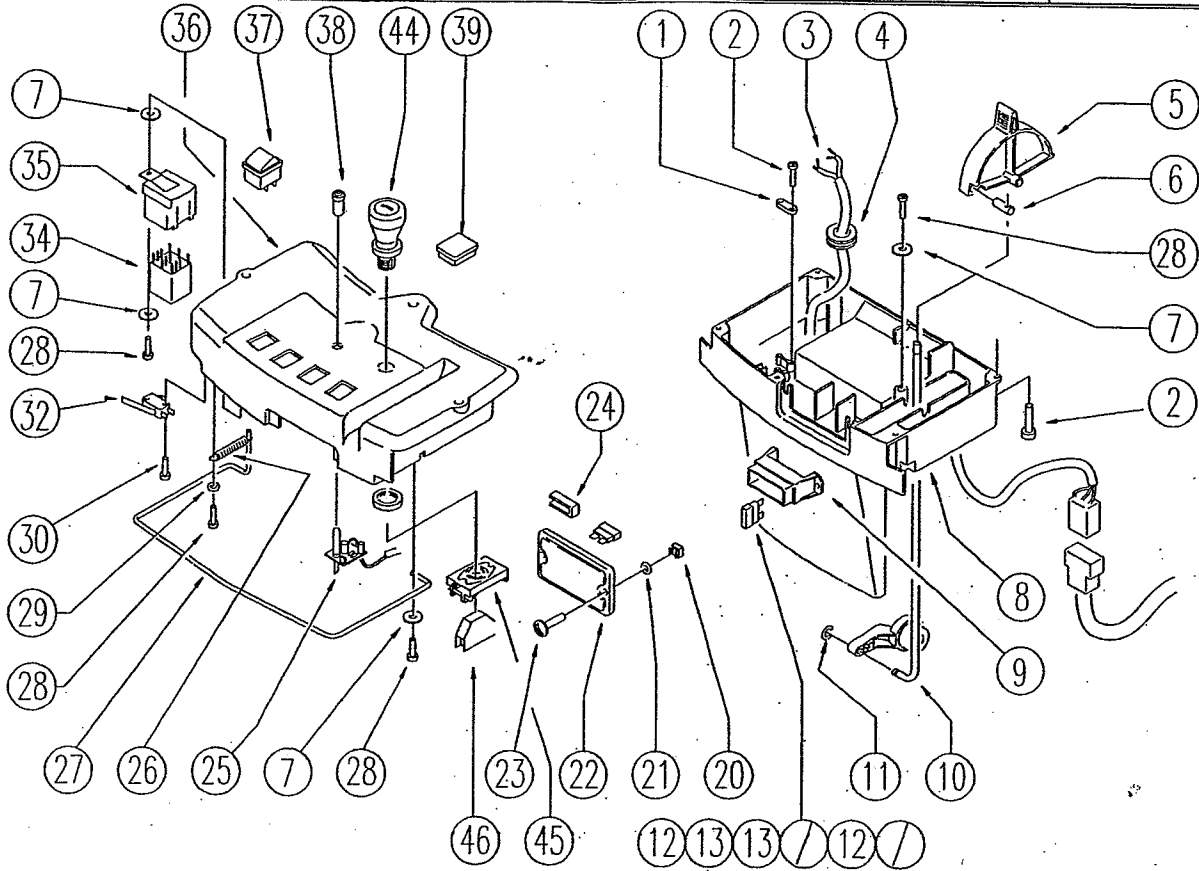




CODE:

pl1011 ae SN from 01B600

DESCRIPTION: CONTROL PANEL INSTRUMENTENBRETT TABLEAU DE COMMANDE PANEL DE MANDO PANNELLO COMANDI

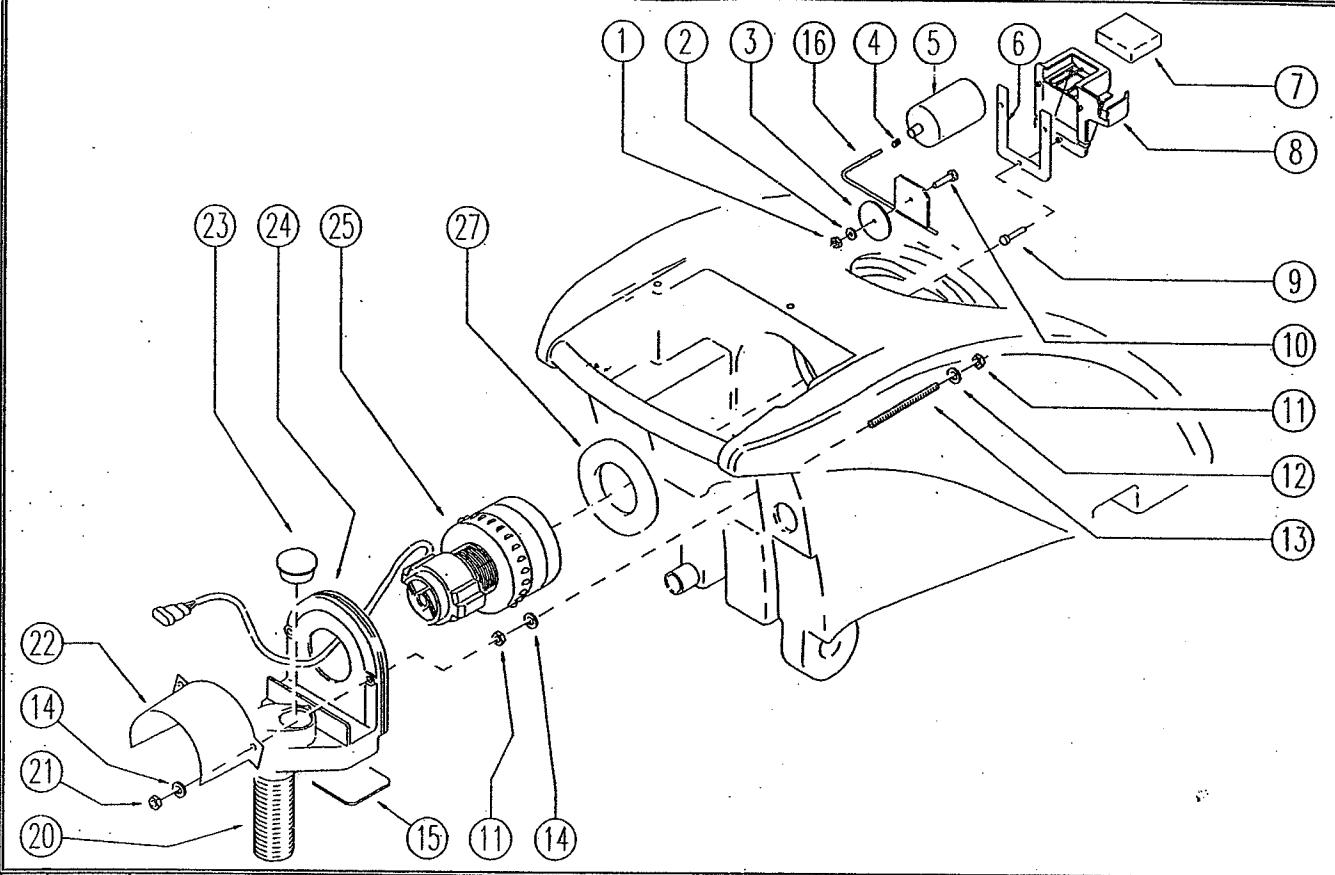


REF.	CODE	DESCRIPTION	QT	BESCHREIBUNG	DESCRIPTION	DESCRIPCION	DESCRIZIONE
	GR23632-4	PREASSEMBLED CTRL PANEL	1	INSTRUMENTENBRETT GRUPPE	GRUPE TABLEAU DE COMMANDE	CONJUNTO PANEL DE MANDO	PANNL COM. PREASSEMBLATO
1	SL09908	CABLE CLAMPING STAPLE	1	ÜBERBRÜCKUNG FÜR KABELHALTER	BARRETTE FIXE-CABLE	PUNTE DE BLOQUEO PARA CABLE	PONTICELLO BLOCCAVO
2	SL04187	SCREW	6	SCHRAUBE	VIS	TORNILLO	VITE
3	SL23632-1	WIRING	1	VERKABELUNG	CABLAGE	CABLEO	CABLAGGIO
4	SL23695	FAIRLEAD	1	KABEL DURCHFÜHRUNG	PASSE-CABLE	GUÍACABOS	PASSACAVO
5	SL17490-1	LEVER	1	HEBEL	LEVIER	PALANCA	LEVA
6	SL09808	ARTICULATION	1	GELENK	JOINT	ARTICULACION	SNODO
7	SL06014	WASHER	4	UNTERLEGSCHLEIBE	RONDELLE	ARANDELA	RONDELLA
8	SL17489-1	CONTROL PANEL	1	INSTRUMENTENBRETT	TABLEAU DE COMMANDE	PANEL DE MANDO	PANNELLO COMANDI
9	SL23894	FUSE CARRIER	1	SICHERUNGSSOCKEL	PORTE-FUSIBLES	PORTAFUSIBLES	PORTAFUSIBILI
10	SL09805	ROD	1	STANGE	TIGE	VARILLA	ASTA
11	SL11113	SEEGER	1	SEEGER	SEEGER	SEEGER	SEEGER
12	SL23144	FUSE	4	SICHERUNG	FUSIBLE	FUSIBLE	FUSIBILE 5A
13	SL23148	FUSE	4	SICHERUNG	FUSIBLE	FUSIBLE	FUSIBILE 30A
20	SL05077	NUT	2	MUTTER	ECROU	TUERCA	DADO
21	SL03116	GASKET	4	DICHTUNG	JOINT	EMPAQUETADURA	GUARNIZIONE
22	SL17149-1	LID	1	DECKEL	COUVERCLE	TAPA	COPERCHIO
23	SL04377	SCREW	2	SCHRAUBE	VIS	TORNILLO	VITE
24	SL23209	FUSE TWEEZERS	1	ZANGE FÜR SICHERUNGEN	PINCETTE POUR FUSIBLES	PINZAS PARA FUSIBLES	PINZETTA FUSIBILI
25	SL23031	BOARD / CARD	1	KARTE	FICHE	TARJETA	SCHEDA
26	SL13116	SPRING	1	FEDER	RESSORT	RESSORTE	MOLLA
27	SL09795	LEVER	1	HEBEL	LEVIER	PALANCA	LEVA
28	SL04327	SCREW	4	SCHRAUBE	VIS	TORNILLO	VITE
29	SL06019	WASHER	1	UNTERLEGSCHLEIBE	RONDELLE	ARANDELA	RONDELLA
30	SL04214	SCREW	2	SCHRAUBE	VIS	TORNILLO	VITE
32	SL23109	MICROSWITCH	1	MIKROSCHALTER	MICRO-INTERRUPTEUR	MICROINTERRUPTOR	MICROINTERRUTTORE
34	SL23719	RELAIS	1	RELAIS	RELAIS	RELAIS	RELAIS
35	SL23722	RELAIS SUPPORT	1	RELAIS HALTERUNG	SUPPORT RELAIS	SOPORTE RELAIS	SUPPORTO RELAIS
36	SL17488-1	CONTROL PANEL	1	INSTRUMENTENBRETT	TABLEAU DE COMMANDE	CUADRO DE MANDO	PANNELLO COMANDI
37	SL23183	SWITCH	2	SCHALTER	INTERRUPTEUR	INTERRUPTOR	INTERRUTTORE
38	SL23031-1	REFLEX REFLECTOR	1	RÜCKSTRAHLER	PASTILLE REFLECHISSANTE	CATAFARO	GEMMA
39	SL23570	SWITCH COVER	2	SCHALTERABDECKUNG	COUVRE-INTERRUPTEUR	CUBREINTERRUPTOR	COPRINTERRUTTORE
44	SL23954	EMERGENCY SWITCH	1	DRUCKKNOPF	BOUTON	PULSADOR	PULSANTE EMERGENZA
45	SL23955	CONTACT CARRIER	1	KONTAKTHEALTER	PORTE-CONTACTS	PORTACONTACTOS	PORTA CONTATTI
46	SL23956	CONNECTION	2	KONTAKT	CONTACT	CONEXION	CONTATTO

CODE:

pl1001 ae SN from 01B600

DESCRIPTION: SUCTION UNIT SAUGGRUPPE GROUPE ASPIRATION GRUPO DE ASPIRACIÓN ASPIRAZIONE

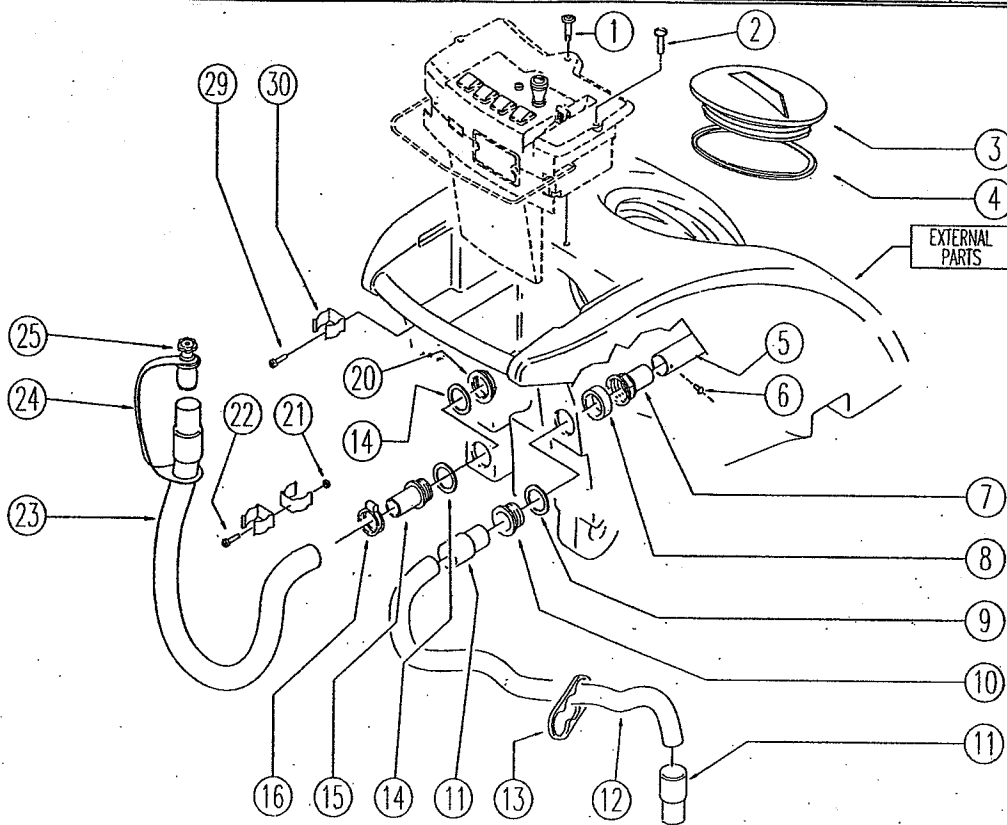


REF.	CODE	DESCRIPTION	QT	BESCHREIBUNG	DESCRIPTION	DESCRIPCION	DESCRIZIONE
1	SL05087	NUT	1	MUTTER	ECROU	TUERCA	DADO
2	SL06038	WASHER	1	UNTERLEGSCHIEBE	RONDELLE	ARANDELA	RONDELLA
3	SL03346	GASKET	1	DICHTUNG	JOINT	EMPAQUETADURA	GUARNIZIONE
4	SL04388	INSERT	1	EINSATZ	SEGMENT	ENCAJE	INSERTO
5	SL18383	FLOAT	1	SCHWIMMER	FLOTTEUR	FLOTADOR	GALLEGGIANTE
6	SL03429	GASKET	1	DICHTUNG	JOINT	EMPAQUETADURA	GUARNIZIONE
7	SL03345	FILTER	1	FILTER	FILTRE	FILTRO	FILTRO
8	SL17482-1	SUPPORT	1	HALTERUNG	SUPPORT	SOPORTE	SUPPORTO
9	SL04095	SCREW	3	SCHRAUBE	VIS	TORNILLO	VITE
10	SL04310	SCREW	1	SCHRAUBE	VIS	TORNILLO	VITE
11	SL05017	NUT	4	MUTTER	ECROU	TUERCA	DADO
12	SL06071	WASHER	2	UNTERLEGSCHIEBE	RONDELLE	ARANDELA	RONDELLA
13	SL04276	SCREW	2	SCHRAUBE	VIS	TORNILLO	BARRA FILETTATA
14	SL06022	WASHER	4	UNTERLEGSCHIEBE	RONDELLE	ARANDELA	RONDELLA
15	SL17554	BULKHEAD	1	TRENNWAND	CLOISON	MAMPARO	PARETE CUFFIA
16	SL08827	ROD	1	STANGE	TIGE	VARILLA	ASTINA
20	SL19248	PIPE	1	ROHR	TUBE	TUBO	TUBO
21	SL05041	NUT	2	MUTTER	ECROU	TUERCA	DADO
22	SL03514	SUCTION CONVEYOR	1	SAUGFÖRDERER	CONVOYEUR ASPIRATION	TRANSPORTADOR SUCCIÓN	CONVOGLIATORE
23	SL14240	CAP	1	STOPFEN, VERSCHLUSS	BOUCHON	TAPON	TAPPO
24	SL03297	CAP / SHELL	1	SCHUTZGEHÄUSE	PROTECTEUR	GORRO / PROTECCIÓN	CUFFIA
25	SL02303-J	EXHAUSTER / ASPIRATOR	1	SAUGER	ASPIRATEUR / SUCEUSE	ASPIRADOR	ASPIRATORE
27	SL03033	GASKET	1	DICHTUNG	JOINT	EMPAQUETADURA	GUARNIZIONE

CODE:

pl1012 ah SN from 01K187

DESCRIPTION: TANK TANK RESERVOIR TANQUE SERBATOIO SUPERIORE



REF.	CODE	DESCRIPTION	QT	BESCHREIBUNG	DESCRIPTION	DESCRIPCION	DESCRIZIONE
1	SL14162	KLIP	1	GEZAHNTE KLIPS	CLIP DENTEE	CLIFE ENDENTADA	KLIP DENTELLATA
2	SL04377	SCREW	2	SCHRAUBE	VIS	TORNILLO	VITE
3	SL17468	COVER	1	DECKEL	COUVERCLE	TAPA	COPERCHIO
4	SL03487	GASKET	1	DICHTUNG	JOINT	EMPAQUETADURA	GUARNIZIONE
5	SL07420	HOSE	1	SCHLAUCH	TUYAU	TUBO FLEXIBLE	TUBO
6	SL04325	SCREW	1	SCHRAUBE	VIS	TORNILLO	VITE
7	SL18349	CONNECTOR	1	ANSCHLUSS	RACCORD	CONECTOR	RACCORDO
8	SL07546	SPACER	1	DISTANZSTÜCK	ENTRETOISE	DISTANCIADOR	DISTANZIALE
9	SL03416	GASKET	1	DICHTUNG	JOINT	EMPAQUETADURA	GUARNIZIONE
10	SL18355	SUCTION OPENING	1	ÖFFNUNG	SUCEUR	ORIFICIO / ABERTURA	BOCCHETTONE
11	SL14003	SLEEVE	2	MUFFE	MANCHON	MANGUITO	MANICOTTO
12	SL19021	HOSE	1	SCHLAUCH	TUYAU	TUBO FLEXIBLE	TUBO
13	SL03437	PLAQUE	1	PLÄTTCHEN	PLATINE	PLACA	PIASTRINA
14	SL03441	GASKET	2	DICHTUNG	JOINT	EMPAQUETADURA	GUARNIZIONE
15	SL18350	CONNECTOR	1	ANSCHLUSS	RACCORD	CONECTOR	RACCORDO
16	SL14063	CLAMP	1	SHELLE	BANDE	ABRAZADERA	FASCETTA
20	SL05075	NUT	1	NUTMUTTER	FRETTE	GHIERA	GHIERA
21	SL05044	NUT	2	NUTMUTTER	FRETTE	GHIERA	GHIERA
22	SL04032	SCREW	2	SCHRAUBE	VIS	TORNILLO	VITE
23	SL19113-5	HOSE	1	SCHLAUCH	TUYAU	TUBO FLEXIBLE	TUBO
24	SL03577	CLAMP	1	SHELLE	BANDE	ABRAZADERA	FASCETTA
25	SL18305	KNOB	1	KNAUF	VOLANT A MAIN	BOTON ESFERICO	POMOLO
29	SL04371	SCREW	2	SCHRAUBE	VIS	TORNILLO	VITE
30	SL13118	DUCT LOCK	3	SCHLAUCHHALTER	FIXE-TUYAU	BLOQUEO TUBO	FERMO TUBO

CODE:

p11004 ah SN from 01K430

DESCRIPTION:

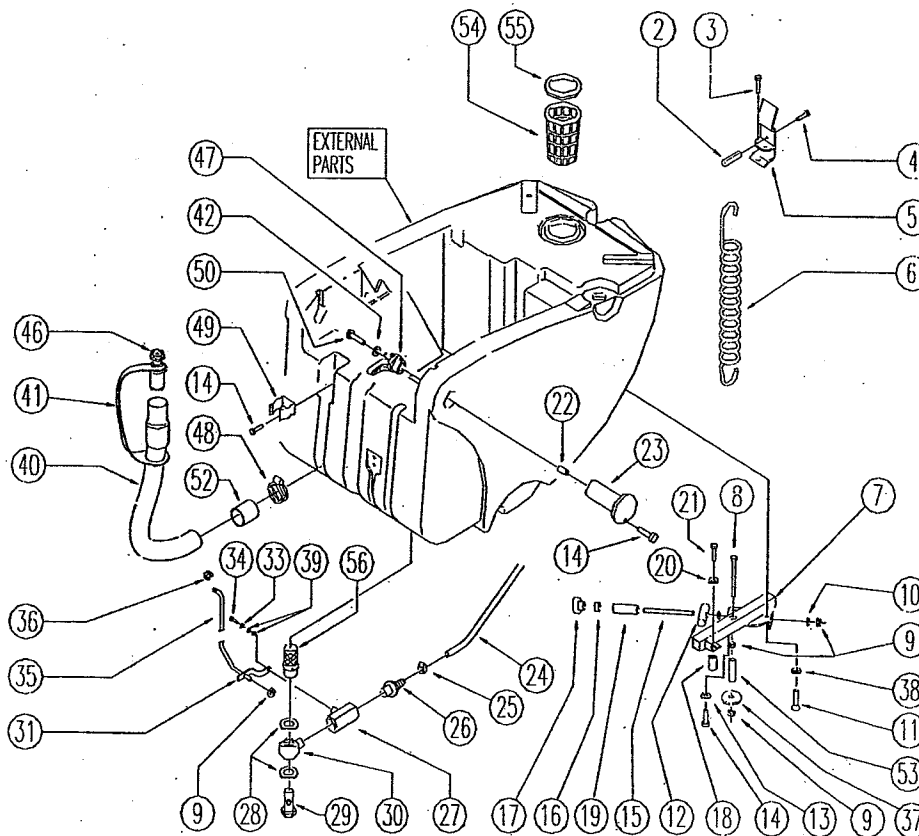
TANK

TANK

RESERVOIR

TANQUE

SERBATOIO INFERIORE

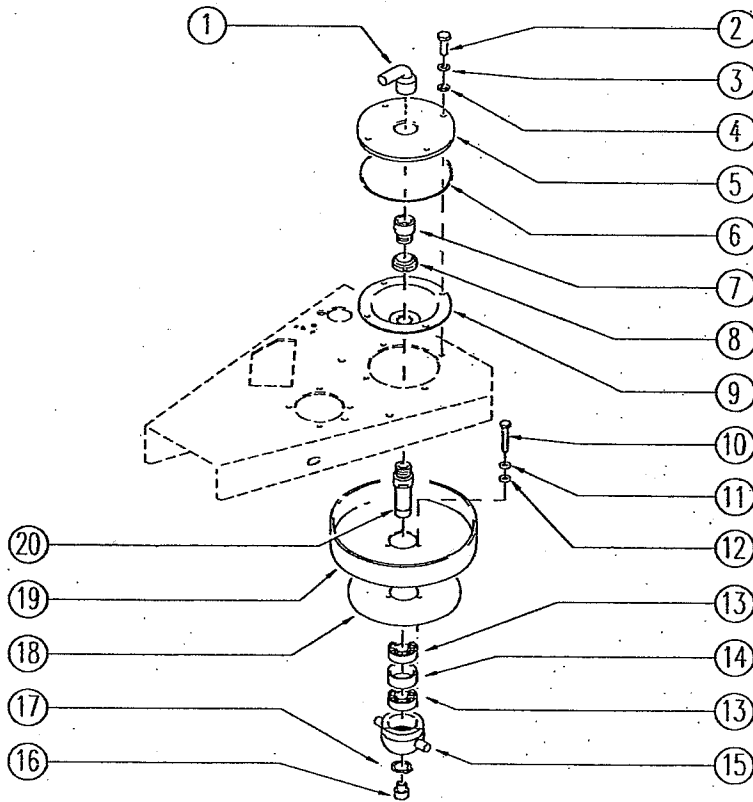


REF	CODE	DESCRIPTION	QT	BESCHREIBUNG	DESCRIPTION	DESCRIPCION	DESCRIZIONE
2	SL07425	SPACER	1	DISTANZSTÜCK	ENTRETOISE	DISTANCIADOR	DISTANZIALE
3	SL04222	SCREW	2	SCHRAUBE	VIS	TORNILLO	VITE
4	SL04278	SCREW	1	SCHRAUBE	VIS	TORNILLO	VITE
5	SL08829-4	HOOK	1	HAKEN	CROCHET	ENGANCHE	GANCIO
6	SL13102	SPRING	1	FEDERUNG	RESSORT	RESORTE	MOLLA
7	SL07368	SUPPORT	1	HALTERUNG	SUPPORT	SOPORTE	SUPPORTO
8	SL04140	SCREW	1	SCHRAUBE	VIS	TORNILLO	VITE
9	SL05041	NUT	3	MUTTER	ECROU	TUERCA	DADO
10	SL06022	WASHER	2	UNTERLEGSCHLEIBE	RONDELLE	ARANDELA	RONDELLA
11	SL04368	SCREW	1	SCHRAUBE	VIS	TORNILLO	VITE
12	SL07367	REGULATOR	1	REGLER	REGULATEUR	REGULADOR	REGOLAZIONE TRAZIONE
13	SL06038	WASHER	1	UNTERLEGSCHLEIBE	RONDELLE	ARANDELA	RONDELLA
14	SL04371	SCREW	5	SCHRAUBE	VIS	TORNILLO	VITE
15	SL04251	SHAFT	1	WELLE	ARBRE	ARBOL	ALBERINO
16	SL05048	NUT	1	MUTTER	ECROU	TUERCA	DADO
17	SL20002	KNOB	1	KNAUF	VOLANT A MAIN	BOTON ESFERICO	POMOLO
18	SL07512	SPACER	1	DISTANZSTÜCK	ENTRETOISE	SEPARADOR	DISTANZIALE
19	SL07494	SPACER	1	DISTANZSTÜCK	ENTRETOISE	SEPARADOR	DISTANZIALE
20	SL06003	WASHER	1	UNTERLEGSCHLEIBE	RONDELLE	ARANDELA	RONDELLA
21	SL04143	SCREW	1	SCHRAUBE	VIS	TORNILLO	VITE
22	SL04171	INSERT	2	EINSATZ	SEGMENT	ENCAJE	INSERTO
23	SL17493-1	PIV	2	ZAPPEN	PIVOT	PERNO	PERNO
24	SL19326	HOSE	1	SCHLAUCH	TUYAU	TUBO FLEXIBLE	TUBO
25	SL14109	CLAMP	1	SCHLE	BANDE	ABRAZADERA	FASCETTA
26	SL18399	UNION / CONNECTOR	1	ANSCHLUSS	RACCORD	UNION / CONECTOR	RESCA
27	SL18407	TAP	1	HAHN	ROBINET	GRIFO	RUBINETTO
28	SL03536	WASHER	2	UNTERLEGSCHLEIBE	RONDELLE	ARANDELA	RONDELLA
29	SL18257-L	SCREW	1	SCHRAUBE	VIS	TORNILLO	VITE
30	SL18256	ARTICULATION	1	GELENK	JOINT	ARTICULACION	SNODO
31	SL39171	LEVER	1	HEBEL	LEVIER	PALANCA	LEVA
33	SL06031	WASHER	1	UNTERLEGSCHLEIBE	RONDELLE	ARANDELA	RONDELLA
34	SL04341	SCREW	1	SCHRAUBE	VIS	TORNILLO	VITE
35	SL39091	ROD	1	STANGE	TIGE	VARILLA	ASTA
36	SL11113	SEEGER	1	SEEGER	SEEGER	SEEGER	SEEGER
37	SL05069	WASHER	1	UNTERLEGSCHLEIBE	RONDELLE	ARANDELA	RONDELLA
38	SL06032	WASHER	1	UNTERLEGSCHLEIBE	RONDELLE	ARANDELA	RONDELLA
39	SL06041	WASHER	2	UNTERLEGSCHLEIBE	RONDELLE	ARANDELA	RONDELLA
40	SL19113-1	HOSE	1	SCHLAUCH	TUYAU	TUBO FLEXIBLE	TUBO
41	SL03577	CLAMP	1	SCHLE	BANDE	ABRAZADERA	FASCETTA
42	SL06015	WASHER	3	UNTERLEGSCHLEIBE	RONDELLE	ARANDELA	RONDELLA
46	SL18395	KNOB	1	KNAUF	VOLANT A MAIN	BOTON ESFERICO	POMOLO
47	SL17491-1	LEVER	1	HEBEL	LEVIER	PALANCA	LEVA
48	SL14063	CLAMP	1	SCHLE	BANDE	ABRAZADERA	FASCETTA
49	SL13118	DUCT LOCK	1	SCHLAUCHHALTER	FIXE-TUYAU	BLOQUEO TUBO	FERMO TUBO
50	SL04135	SCREW	2	SCHRAUBE	VIS	TORNILLO	VITE
52	SL03546	SLEEVE	1	MUFFE	MANCHON	MANGUITO	MANICOTTO
53	SL19330	HOSE	1	SCHLAUCH	TUYAU	TUBO FLEXIBLE	TUBO
54	SL03526	FILTER	1	FILTER	FILTRE	FILTRO	FILTRO
55	SL03543	GASKET	1	DICHTUNG	JOINT	EMPAQUETADURA	GUARNIZIONE
56	SL18405	FILTER	1	FILTER	FILTRE	FILTRO	FILTRO

CODE:

pl1005 af SN from 00C50

DESCRIPTION:	AXLE PULLEY	RIEMENSCHLEIBENACHSE	ESSIEU POULIE	EJE POLEA	ASSE SPAZZOLA
--------------	-------------	----------------------	---------------	-----------	---------------

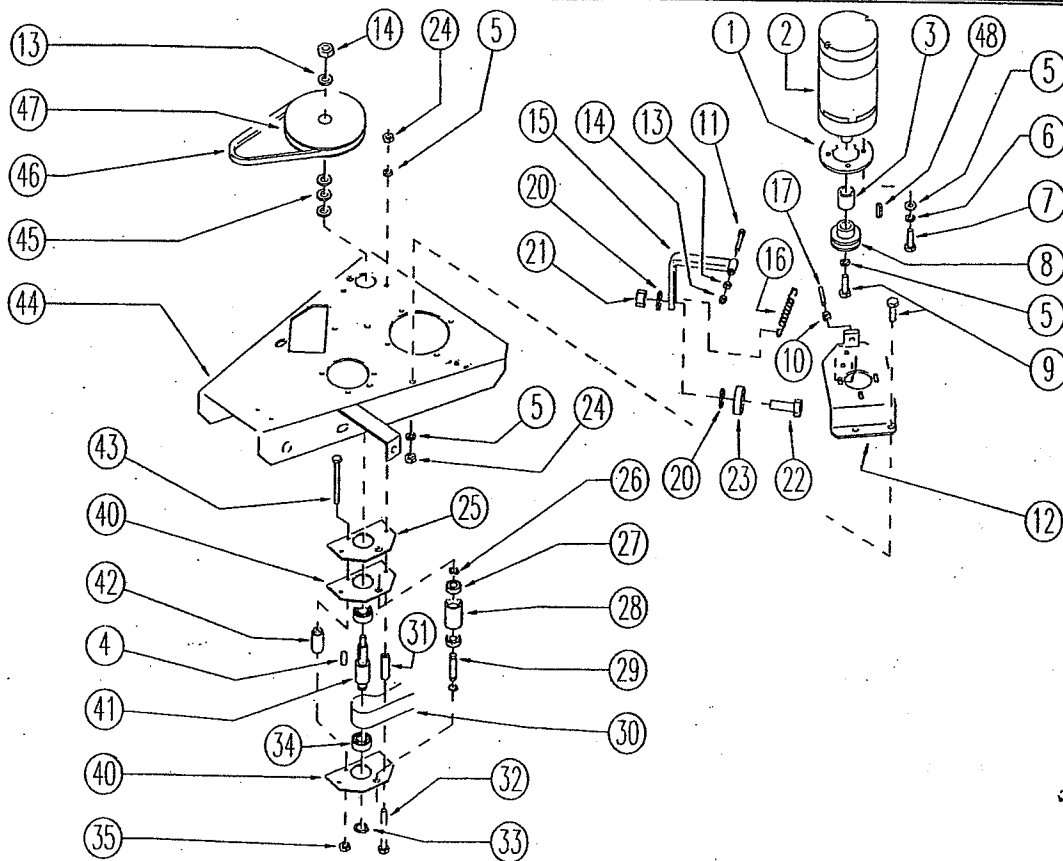


REF	CODE	DESCRIPTION	QT	BESCHREIBUNG	DESCRIPTION	DESCRIPCION	DESCRIZIONE
1	SL 18232	BEND	1	KRÜMMER	COURBE	CURVA	CURVA
2	SL04134	SCREW	4	SCHRAUBE	VIS	TORNILLO	VITE
3	SL06057	WASHER	4	UNTERLEGSCHLEIBE	RONDELLE	ARANDELA	RONDELLA
4	SL06041	WASHER	4	UNTERLEGSCHLEIBE	RONDELLE	ARANDELA	RONDELLA
5	SL05944	COVER	1	ABDECKUNG	COUVERTURE	CUBIERTA	COPERTURA
6	SL03462	GASKET	1	DICHTUNG	JOINT	EMPAQUETADURA	GUARNIZIONE
7	SL 18194	EXTENSION	1	VERLÄNGERUNG	RALLONGE	EXTENSION	PROLUNGA
8	SL05049	NUT	1	NUTMUTTER	FRETTE	ANILLO	GHERA
9	SL15023	FLANGE	1	FLANSCH	BRIDE	BRIDA	FLANGIA
10	SL04135	SCREW	3	SCHRAUBE	VIS	TORNILLO	VITE
11	SL06023	WASHER	3	UNTERLEGSCHLEIBE	RONDELLE	ARANDELA	RONDELLA
12	SL06022	WASHER	3	UNTERLEGSCHLEIBE	RONDELLE	ARANDELA	RONDELLA
13	SL 12025	BEARING	2	LAGER	PALIER/ROULEMENT	COJNETE	CUSCINETTO
14	SL07181	SPACER	1	DISTANZSTÜCK	ENTRETOISE	DISTANCIADOR	DISTANZIALE
15	SL01023	CONVEYOR DRIVER	1	MITNEHMER	ENTRAINEUR	ARRASTRADOR	TRASCINATORE
16	SL07482	CAP	1	STOPFEN, VERSCHLUSS	BOUCHON	TAPON	TAPPO
17	SL 11096	SEEGER	1	SEEGER	SUCEUR	SEEGER	SEEGER
18	SL03511	DISC	1	SCHLEIBE	DISQUE	DISCO	DISCO
19	SL 10047	PULLEY	1	RIEMENSCHLEIBE	POULIE	POLEA	PULEGGIA
20	SL07303	PIN	1	ZAPFEN	PIVOT	PERNO / PIVOTE	PERNO

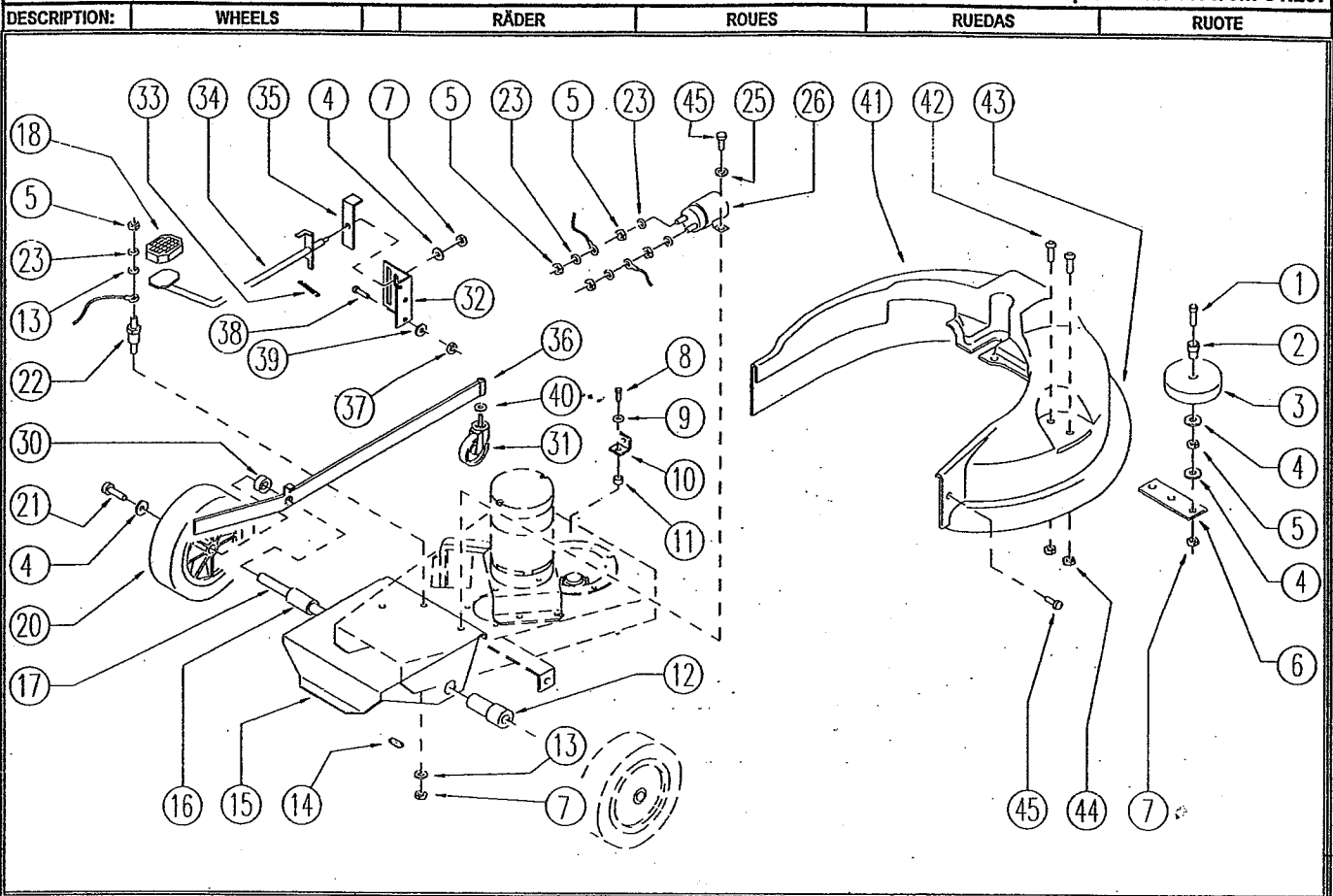
CODE:

pl1014 ai SN from 01J848

DESCRIPTION: MOTOR MOTOR MOTEUR MOTOR MOTORE-RINVIO



REF.	CODE	DESCRIPTION	QT	BESCHREIBUNG	DESCRIPTION	DESCRIPCION	DESCRIZIONE
1	SL09648	FLANGE	1	FLANSCH	BRIDE	BRIDA	FLANGIA
2	GR02099	MOTOR	1	MOTOR	MOTEUR	MOTOR	MOTORE
3	SL07418	SPACER	1	DISTANZSTÜCK	ENTRETOISE	DISTANCIADOR	DISTANZIALE
4	SL11010	TANG / TONGUE	1	LAPPEN	LANGUETTE	LENGUETA	LINGUETTA
5	SL06022	WASHER	10	UNTERLEGSCHLEIBE	RONDELLE	ARANDELA	RONDELLA
6	SL06023	WASHER	4	UNTERLEGSCHLEIBE	RONDELLE	ARANDELA	RONDELLA
7	SL04002	SCREW	2	SCHRAUBE	VIS	TORNILLO	VITE
8	SL10049	PULLEY	1	RIEMENSCHLEIBE	POULIE	POLEA	PULEGGIA
9	SL04135	SCREW	4	SCHRAUBE	VIS	TORNILLO	VITE
10	SL05004	NUT	1	MUTTER	ECROU	TUERCA	DADO
11	SL04164	SCREW	1	SCHRAUBE	VIS	TORNILLO	VITE
12	SL39089	SUPPORT	1	HALTERUNG	SUPPORT	SOPORTE	SUPPORTO
13	SL06087	WASHER	2	UNTERLEGSCHLEIBE	RONDELLE	ARANDELA	RONDELLA
14	SL05039	NUT	2	MUTTER	ECROU	TUERCA	DADO
15	SL39088	ARM	1	ARM	BRAS	BRAZO	BRACCETTO
16	SL13018	SPRING	1	FEDER	RESSORT	RESSORTE	MOLLA
17	SL11132	SCREW	1	SCHRAUBE	VIS	TORNILLO	VITE
20	SL06005	WASHER	2	UNTERLEGSCHLEIBE	RONDELLE	ARANDELA	RONDELLA
21	SL05013	NUT	1	MUTTER	ECROU	TUERCA	DADO
22	SL04005	SCREW	1	SCHRAUBE	VIS	TORNILLO	VITE
23	SL08046	WHEEL	1	RÄDCHEN	ROUE	RUEDA	RUOTA
24	SL05041	NUT	5	MUTTER	ECROU	TUERCA	DADO
25	SL03438	GASKET	1	DICHTUNG	JOINT	EMPAQUETADURA	GIUNZIONE
26	SL11095	SEEGER	2	SEEGER	SUCEUR	SEEGER	SEEGER
27	SL12003	BEARING	2	LÄGER	PALIER / ROULEMENT	COJINETE	CUSCINETTO
28	SL10045	PULLEY	1	RIEMENSCHLEIBE	POULIE	POLEA	PULEGGIA
29	SL11041	PIN / PLUG	1	STECKER	GOUPILLE / FICHE	CLAVIA	SPINA
30	SL16039	BELT	1	RIEMEN	COURROIE	CORREA	CINGHIA
31	SL07143	SPACER	2	DISTANZSTÜCK	ENTRETOISE	DISTANCIADOR	DISTANZIALE
32	SL04058	SCREW	2	SCHRAUBE	VIS	TORNILLO	VITE
33	SL11100	SEEGER	1	SEEGER	SUCEUR	SEEGER	SEEGER
34	SL12029	BEARING	2	LÄGER	PALIER / ROULEMENT	COJINETE	CUSCINETTO
35	SL05017	NUT	1	MUTTER	ECROU	TUERCA	DADO
40	SL09522	PLAQUE	2	PLÄTTCHEN	PLATINE	PLACA	PIASTRINA
41	SL07190	SHAFT	1	WELLE	ARBRE	ARBOL	ALBERO
42	SL07191	SPACER	1	DISTANZSTÜCK	ENTRETOISE	DISTANCIADOR	DISTANZIALE
43	SL04061	SCREW	1	SCHRAUBE	VIS	TORNILLO	VITE
44	SL39093	HEAD	1	KOPF	TETE	CABEZA	TESTATA
45	SL06058	WASHER	3	UNTERLEGSCHLEIBE	RONDELLE	ARANDELA	RONDELLA
46	SL16040	BELT	1	RIEMEN	COURROIE	CORREA	CINGHIA
47	SL10048	PULLEY	1	RIEMENSCHLEIBE	POULIE	POLEA	PULEGGIA
48	SL11026	TANG / TONGUE	1	LAPPEN	LANGUETTE	LENGUETA	LINGUETTA

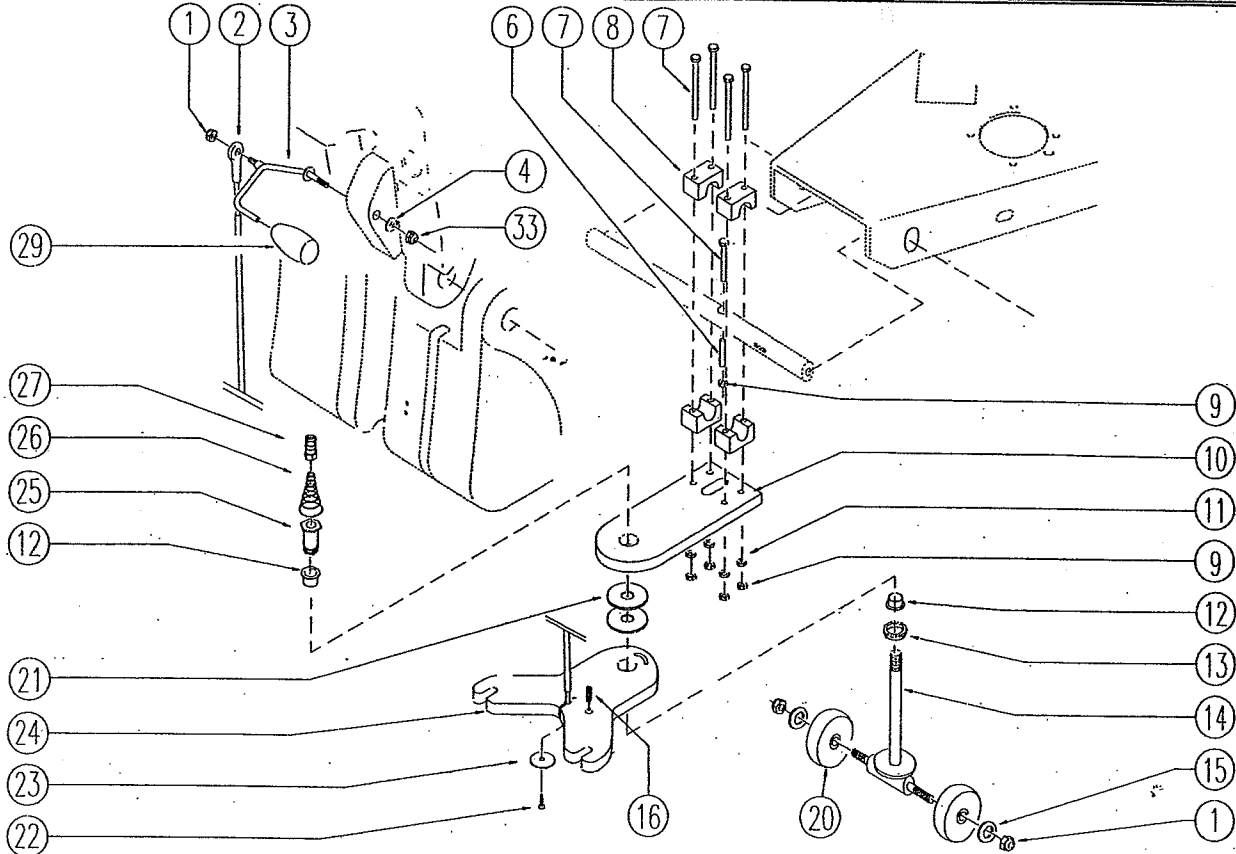


DESCRIPTION:	WHEELS	RÄDER	ROUES	RUEDAS	RUOTE		
REF	CODE	DESCRIPTION	QT	BESCHREIBUNG	DESCRIPTION	DESCRIPCION	DESCRIZIONE
1	SL04264	SCREW	1	SCHRAUBE	VIS	TORNILLO	VITE
2	SL07390	SPACER	1	DISTANZSTÜCK	ENTRETOISE	DISTANCIADOR	DISTANZIALE
3	SL08040	SMALL WHEEL	1	RADCHEN	ROUE	RUEDECILLA	RUOTINO
4	SL06041	WASHER	4	UNTERLEGSCHIBE	RONDELLE	ARANDELA	RONDELLA
5	SL06048	NUT	6	MUTTER	ECROU	TUERCA	DADO
6	SL06951	SUPPORT	1	HALTERUNG	SUPPORT	SOPORTE	SUPPORTO
7	SL05039	NUT	3	MUTTER	ECROU	TUERCA	DADO
8	SL04184	SCREW	1	SCHRAUBE	VIS	TORNILLO	VITE
9	SL06001	WASHER	1	UNTERLEGSCHIBE	RONDELLE	ARANDELA	RONDELLA
10	SL06892	SMALL SQUARE	1	WINKEL	EQUERRE	ESCUADRA PEQUEÑA	SQUADRETTA
11	SL07150	BUSHING / BUSH	1	BUCHSE	DOUILLE	CASQUILLO / FORRO	BOCCOLA
12	SL07379	BUSHING	1	BUCHSE	DOUILLE	CASQUILLO	BOCCOLA
13	SL06087	WASHER	2	UNTERLEGSCHIBE	RONDELLE	ARANDELA	RONDELLA
14	SL11026	TANG	1	LAPPEN	LANGUETTE	LENGUETA	CHIAVETTA
15	SL06895	BRACKET	1	BÜGEL	ETRIER	ESTRIBO	STAFFA
16	SL07500	BUSHING	1	BUCHSE	DOUILLE	CASQUILLO	BOCCOLA
17	SL07505	SHAFT	1	WELLE	ARBRE	ÁRBOL	ALBERO
18	SL20009	RUBBER SHIM	1	ZWISCHENLEGSCHIBE AUS GUMMI	CALE EN CAOUTCHOUC	RIOSTRA DE GOMA	GOMMA
20	SL08047	WHEEL	2	RAD	ROUE	RUEDA	RUOTA
21	SL04077	SCREW	2	SCHRAUBE	VIS	TORNILLO	VITE
22	SL23103	SUPPORT	1	HALTERUNG	SUPPORT	SOPORTE	SUPPORTO
23	SL06002	WASHER	5	UNTERLEGSCHIBE	RONDELLE	ARANDELA	RONDELLA
25	SL06019	WASHER	2	UNTERLEGSCHIBE	RONDELLE	ARANDELA	RONDELLA
26	SL23001	REMOTE CONTROL SWITCH	1	FERNSCHALTER	TELE-INTERRUPTEUR	TELEINTERRUPTOR	TELERUTTORE
30	SL07498	SPACER	1	DISTANZSTÜCK	ENTRETOISE	DISTANCIADOR	DISTANZIALE
31	SL08029	SMALL WHEEL	1	RADCHEN	ROUE	RUEDA	RUOTINO
32	SL39157	BRACKET	1	BÜGEL	ETRIER	ESTRIBO	STAFFA
33	SL13095	SPRING	1	FEDER	RESSORT	RESORTE	MOLLA
34	SL39156	ROD	1	STANGE	TIGE	VARILLA	ASTA
35	SL39019	LEVER	1	HEBEL	LEVIER	PALANCA	LEVA
36	SL39158	LEVER	1	HEBEL	LEVIER	PALANCA	LEVA
37	SL06058	NUT	2	MUTTER	ECROU	TUERCA	DADO
38	SL04135	SCREW	2	SCHRAUBE	VIS	TORNILLO	VITE
39	SL06022	WASHER	2	UNTERLEGSCHIBE	RONDELLE	ARANDELA	RONDELLA
40	SL06005	WASHER	2	UNTERLEGSCHIBE	RONDELLE	ARANDELA	RONDELLA
41	SL17563-1	BRUSH COVER	1	BÜRSTENABDECKUNG	COUVRE-BROSSE	CUBRECEPILLOS	COPRISPAZZOLA
42	SL04190	SCREW	2	SCHRAUBE	VIS	TORNILLO	VITE
43	SL03468	BUMPER	1	STOSSDAMPFER	HEURTQIR	PARAGOLPES	PARACOLPI
44	SL05041	NUT	2	MUTTER	ECROU	TUERCA	DADO
45	SL04079	SCREW	4	SCHRAUBE	VIS	TORNILLO	VITE

CODE:

pl1008 ae SN from 01B600

DESCRIPTION: SQUEEGEE SUPPORT SAUGFÜßHALTERUNG SUPPORT SUCEUR SOPORTE ESCURRESUELOS SUPPORTO SQUEEGEE

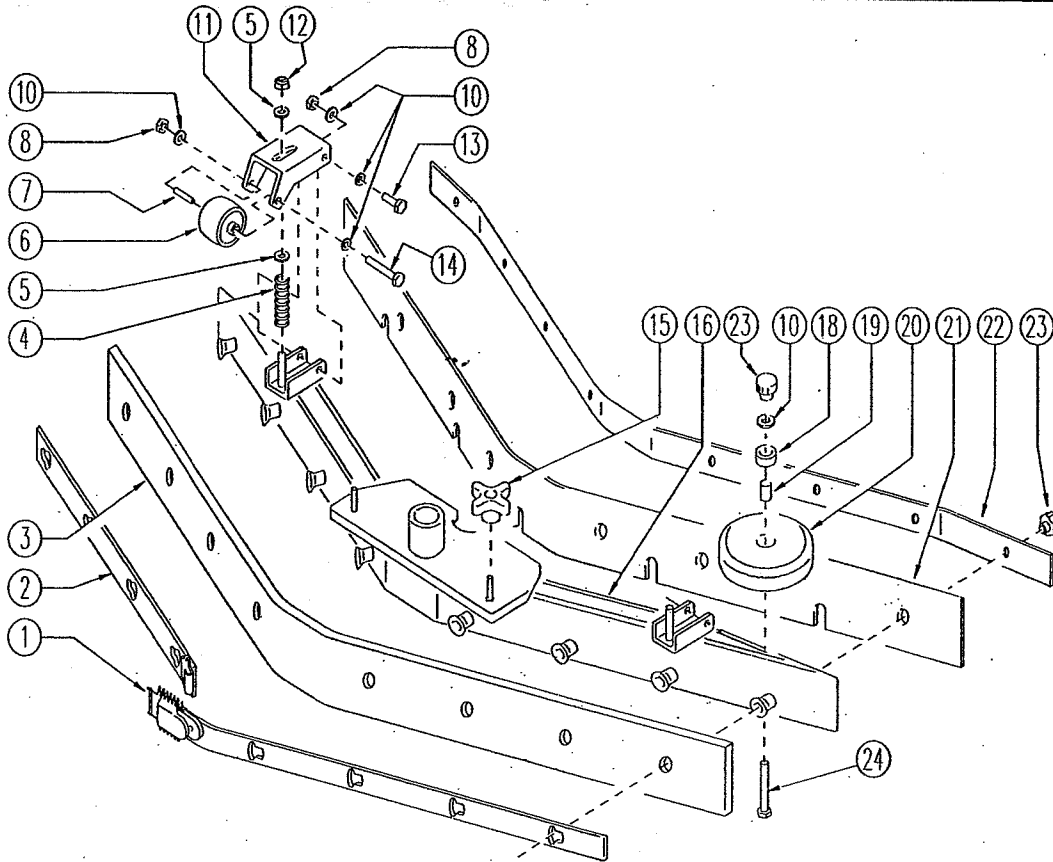


REF.	CODE	DESCRIPTION	QT	BESCHREIBUNG	DESCRIPTION	DESCRIPCION	DESCRIZIONE
1	SL05039	NUT	3	MUTTER	ECROU	TUERCA	DADO M.8
2	SL14344	CABLE	1	KABEL	CABLE	CABLE	CAVO SOLLEVAMENTO
3	SL39036	LEVER	1	HEBEL	LEVIER	PALANCA	LEVA SOLLEVAMENTO
4	SL06050	WASHER	2	UNTERLEGSCHIEBE	RONDELLE	ARANDELA	ROND. 12,5X50 SP.3 NYLON
6	SL07165	SPACER	1	DISTANZSTÜCK	ENTRETOISE	DISTANCIADOR	DISTANZIALE
7	SL04378	SCREW	5	SCHRAUBE	VIS	TORNILLO	VITE TC61 M6x55 INOX
8	SL12068	COLLAR	4	BUND	COLLIER	COLLAR	COLLARE D.23
9	SL05058	NUT	5	MUTTER	ECROU	TUERCA	DADO M.6 AUT. BASSO
10	SL39032	SUPPORT	1	HALTERUNG	SUPPORT	SOPORTE	SUPPORTO PIASTRA SQ.
11	SL06004	WASHER	4	UNTERLEGSCHIEBE	RONDELLE	ARANDELA	RONDELLA D.6
12	SL12035	BEARING	2	LAGER	PALIER / ROULEMENT	COJINETE	CUSCINETTO STRISC.
13	SL05086	NUT	1	NUTMUTTER	FRETTE	ANILLO	GHERA AUTOBL. M.20X1
14	SL07507	PIN	1	ZAPFEN	PIVOT	PERNO / PIVOTE	PERNO RUOTINI ANTIRIB.
15	SL06041	WASHER	2	UNTERLEGSCHIEBE	RONDELLE	ARANDELA	RONDELLA D. 8
16	SL11126	GRAIN	1	STIFT	VIS SANS TETE	GRAND	GRANO
20	SL08043	WHEEL / SMALL WHEEL	2	RAD / RADCHEN	ROUE	RUEDA / RUEDECILLA	RUOTINO D.INT. 12 NYLON
21	SL06106	WASHER	2	UNTERLEGSCHIEBE	RONDELLE	ARANDELA	ROND. 12,5X50 SP.3 NYLON
22	SL04319	SCREW	1	SCHRAUBE	VIS	TORNILLO	VITE TC+M4X8 TRILOBATA
23	SL06084	WASHER	1	UNTERLEGSCHIEBE	RONDELLE	ARANDELA	ROND. D.4-16 F. L.
24	SL39031	PLATE	1	PLATTE	PLAQUE	PLACA	PIASTRA SQUEEGEE
25	SL07509	PIN	1	ZAPFEN	PIVOT	PERNO / PIVOTE	PERNO ASSE PIASTRA
26	SL13126	SPRING	1	FEDER	RESSORT	RESORTE	MOLLA CONCA
27	SL07508	NUT	1	MUTTER	ECROU	TUERCA	TESTA BATTUTA PERNO
29	SL20007	HANDGRIP	1	HANDGRIFF	MANCHE	EMPUNADURA	IMPUGNATURA
33	SL05032	NUT	1	MUTTER	ECROU	TUERCA	DADO M.10

CODE:

pl1010 ae SN from 01J899

DESCRIPTION: SQUEEGEE SQUEEGEE SQUEEGEE SQUEEGEE SQUEEGEE



REF.	CODE	DESCRIPTION	QT	BESCHREIBUNG	DESCRIPTION	DESCRIPCION	DESCRIZIONE
	GR39027	SQUEEGEE UNIT		SAUGFUGGRUPPE	GRUPE SUCEUR	GRUPO ESCURRESUELOS	GRUPPO SQUEEGEE
1	SL39029	BLADE HOLDER	1	LIPPENHALTER	FIXE-LAME	DISPOSITIVO DE BLOQUEO HOJA	BLOCCA LAMA
2	SL39030	BLADE HOLDER	1	LIPPENHALTER	FIXE-LAME	DISPOSITIVO DE BLOQUEO HOJA	BLOCCA LAMA
3	SL03518	BLADE	1	GUMMILIPPE	LAME	HOJA	LAMA POSTERIORE
4	SL13103	SPRING	2	FEDER	RESSORT	RESORTE	MOLLA
5	SL06041	WASHER	4	SCHEIBE	RONDELLE	ARANDELA	RONDELLA
6	SL08058	WHEEL	2	RÄDCHEN	ROUE	RUEDA	RUOTINO REGOLAZIONE
7	SL07526	SPACER	2	DISTANZSTÜCK	ENTRETOISE	ESPESOR	DISTANZIALE
8	SL05058	NUT	6	MUTTER	ECROU	TUERCA	DADO
10	SL06022	WASHER	14	SCHEIBE	RONDELLE	ARANDELA	RONDELLA
11	SL39033	SUPPORT	2	HALTERUNG	SUPPORT	SOPORTE	SUPPORTO RUOTINO REG.
12	SL05039	NUT	2	MUTTER	ECROU	TUERCA	DADO
13	SL04135	SCREW	4	SCHRAUBE	VIS	TORNILLO	VITE
14	SL04061	SCREW	2	SCHRAUBE	VIS	TORNILLO	VITE
15	SL20061	HANDLE	2	KNAUF	POIGNEE	PERILLA	POMOLO
16	SL39136	BODY	1	KÖRPER	CORPS	CUERPO	CORPO SQUEEGEE
18	SL17608	BUSHING/BUSH	2	BUCHSE	DOUILLE	CASQUILLO/FORRO	BOCCOLA
19	SL07065	SPACER	2	DISTANZSTÜCK	ENTRETOISE	ESPESOR	DISTANZIALE
20	SL08040	WHEEL	2	RÄDCHEN	ROUE	RUEDA	RUOTINO ANTIRTO
21	SL03517	BLADE	1	GUMMILIPPE	LAME	HOJA	LAMA ANTERIORE
22	SL39028	BLADE HOLDER	1	LIPPENHALTER	FIXE-LAME	DISPOSITIVO DE BLOQUEO HOJA	BLOCCA LAMA
23	SL20058	HANDLE	10	KNAUF	POIGNEE	PERILLA	POMOLO
24	SL04058	SCREW	2	SCHRAUBE	VIS	TORNILLO	VITE







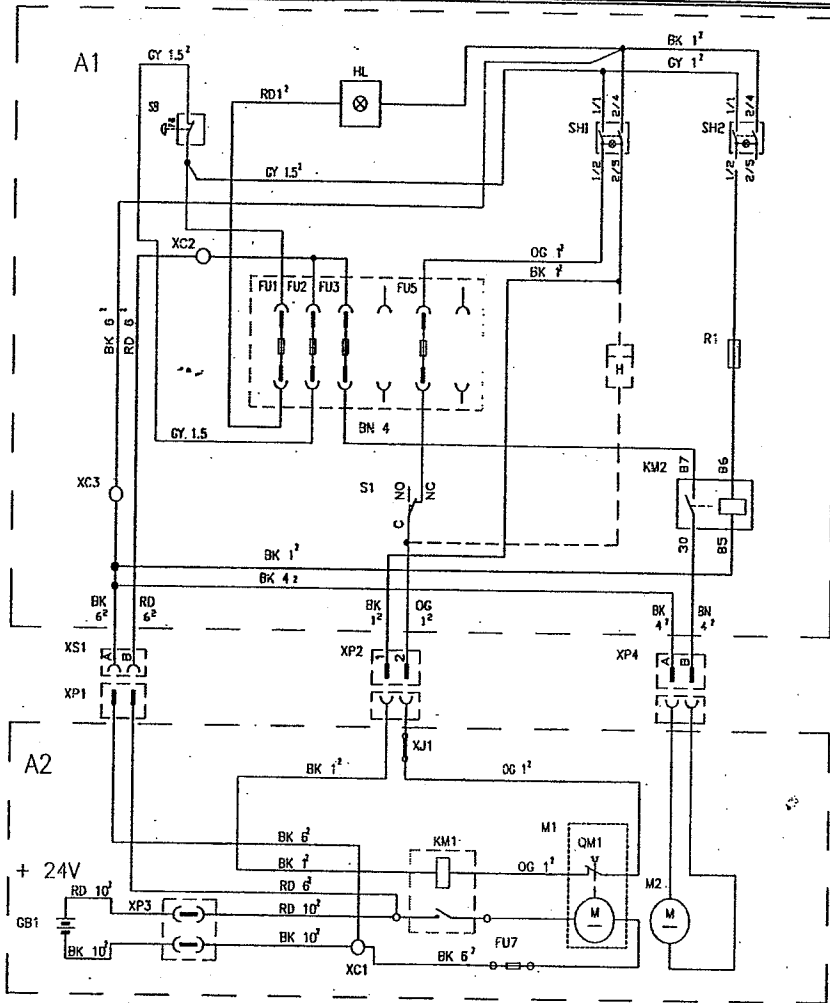


CODE:

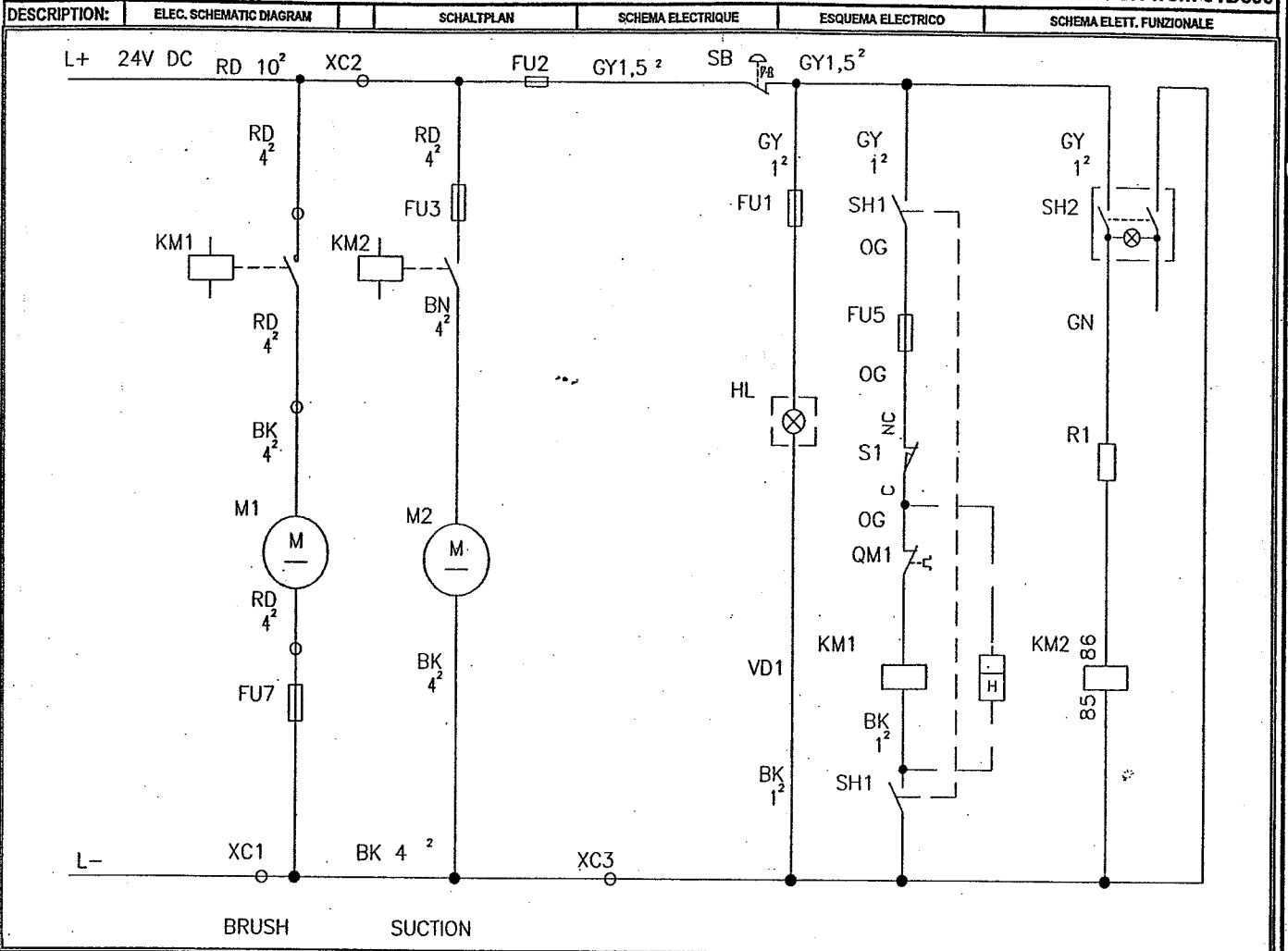
wd27190 ac SN from 01B600

DESCRIPTION: ELEC. WIRING DIAGRAM SCHALTPLAN SCHEMA ELECTRIQUE ESQUEMA ELECTRICO SCHEMA ELETTRICO

BK	BLACK	BU	BLUE
BN	BROWN	VI	VIOLET
RD	RED	GY	GREY
OG	ORANGE	WH	WHITE
YE	YELLOW	PK	PINK
GN	GREEN	TQ	TURQUOISE



REF	CODE	DESCRIPTION	QT	BESCHREIBUNG	DESCRIPTION	DESCRIPCION	DESCRIZIONE
FU1	SL23144	FUSE		SICHERUNG	FUSIBLE	FUSIBLE	FUSIBILE 5A
FU2	SL23148	FUSE		SICHERUNG	FUSIBLE	FUSIBLE	FUSIBILE 30A
FU3	SL23148	FUSE		SICHERUNG	FUSIBLE	FUSIBLE	FUSIBILE 30A
FU5	SL23144	FUSE		SICHERUNG KM1	FUSIBLE KM1	FUSIBLE KM1	FUSIBILE 5A
FU7	SL23896	FUSE		SICHERUNG MD1	FUSIBLE MD1	FUSIBLE MD1	FUSIBILE 60A
HL	SL23031	INDICATOR		ANZEIGER	INDICATEUR	INDICADOR	INDICATORE LUMINOSO
KM1	SL23001	REMOTE CONTROL SWITCH		FERNSCHALTER	TELE-INTERRUPTEUR	TELEINTERRUPTOR	TELERUTTORE
KM2	SL23719	RELAY		RELAIS	RELAIS	RELE	RELE
M1	SL02099	BRUSH MOTOR		BURSTENMOTOR	MOTEUR DE LA BROUSSE	MOTOR TRACCION	MOTORE SPAZZOLE
M2	SL02303-J	SUCTION MOTOR		SAUGMOTOR	MOTEUR D'ASPIRATION	MOTOR DE ASPIRACION	MOTORE ASPIRAZIONE
QM1		GUARD		SCHUTZ	PROTECTION	PROTECCION	PROTEZIONE TERMICA M1
R1	SL23734	RESISTANCE		WIDERSTAND	RESISTANCE	RESISTENCIA	RESISTENZA 68 OHM 22W
S1	SL23109	MICROSWITCH		MIKROSCHALTER	MICRO-INTERRUPTEUR	MICROINTERRUPTOR	MICROINTERRUTTORE
S8	SL23954	EMERGENCY BUTTON		NOTHALTTASTE	BOUTON ARRÊT D'URGENCE	BOTON DE EMERGENCIA	PULSANTE EMERGENZA
SH1	SL23183	SWITCH		SCHALTER	INTERRUPTEUR	INTERRUPTOR	INTERRUTTORE CONSENSO M1
SH2	SL23183	SWITCH		SCHALTER	INTERRUPTEUR	INTERRUPTOR	INTERRUTTORE CONSENSO M2
XC1	SL23103	INSULATOR		ISOLIERER	ISOLATEUR	AISLADOR	ISOLATORE
XC2	SL23428	CLAMP		SHELLE	COLLIER	ABRAZADERA	MORSETTO
XC3	SL23414	CLAMP		SHELLE	COLLIER	ABRAZADERA	MORSETTO
XP1	SL23562	CONNECTOR		VERBINDER	CONNECTEUR	CONECTOR	CONNETTORE M. 2P CPL 40A
XP2	SL23550	CONNECTOR		VERBINDER	CONNECTEUR	CONECTOR	CONNETTORE M. 2P CPL 14A
XP3	SL23010K	CONNECTOR		VERBINDER	CONNECTEUR	CONECTOR	CONNETTORE X BATTERIA
XP4	SL23562	CONNECTOR		VERBINDER	CONNECTEUR	CONECTOR	CONNETTORE M. 2P CPL 40A
XS1	SL23564	CONNECTOR		VERBINDER	CONNECTEUR	CONECTOR	CONNETTORE F. 2P CPL 40A
XS2	SL23551	CONNECTOR		VERBINDER	CONNECTEUR	CONECTOR	CONNETTORE F. 2P 14A
XS4	SL23564	CONNECTOR		VERBINDER	CONNECTEUR	CONECTOR	CONNETTORE F. 2P CPL 40A
XJ1	SL23247	ELECTRIC CONNECTION		ELEKTROVERBINDUNG	JONCTION ELECTRIQUE	ENSAMBLADURA ELECTRICA	GIUNZIONE ELETTRICA
H	AL03313	HOUR METER (OPTIONAL)		STUNDENZÄHLER (OPTIONAL)	COMPTE-HEURES (OPTIONAL)	CUENTA HORAS (OPTIONAL)	CONTAORE 24 V (ACCESSORIO)
A1		CONTROL PANEL		INSTRUMENTENBRETT	TABLAU DE COMMANDE	CUADRO DE MANDO	PANNELLO COMANDI
A2		BODY WIRING DIAGRAM		SCHALTPLAN KÖRPER	SCHEMA ELECTRIQUE CORPS	ESQUEMA ELECTRICO CUERPO	CORPO MACCHINA



REF	CODE	DESCRIPTION	QT	BESCHREIBUNG	DESCRIPTION	DESCRIPCION	DESCRIZIONE
FU1	SL23144	FUSE		SICHERUNG	FUSIBLE	FUSIBLE	FUSIBILE 5A
FU2	SL23148	FUSE		SICHERUNG	FUSIBLE	FUSIBLE	FUSIBILE 30A
FU3	SL23148	FUSE		SICHERUNG	FUSIBLE	FUSIBLE	FUSIBILE 30A
FU5	SL23144	FUSE		SICHERUNG	FUSIBLE	FUSIBLE	FUSIBILE 5A
FU6	SL23144	FUSE		SICHERUNG	FUSIBLE	FUSIBLE	FUSIBILE 5A
FU7	SL23696	FUSE		SICHERUNG	FUSIBLE	FUSIBLE	FUSIBILE 60A
GB1		BATTERY		BATTERIE	BATTERIE	BATERIA	BATTERIA
HL	SL23031	INDICATOR		ANZEIGER	INDICATEUR	INDICADOR	INDICATORE LUMINOSO
KM1	SL23001	REMOTE CONTROL SWITCH		FERNSCHALTER	TELE-INTERRUPTEUR	TELEINTERRUPTOR	TELERUTTORE MOTORE SPAZZOLE
KM2	SL23719	RELAIS		RELAIS	RELE	RELE	RELE
M1	SL02099	BRUSH MOTOR		BURSTENMOTOR	MOTEUR DE LA BROUSSE	MOTOR TRACCION	MOTORE SPAZZOLE
M2	SL2303-J	SUCTION MOTOR		SAUGMOTOR	MOTEUR D'ASPIRATION	MOTOR DE ASPIRACION	MOTORE ASPIRAZIONE
QM1		GUARD		SCHUTZ	SCHUTZ	PROTECCION	PROTEZIONE TERMICA MOTORE SPAZZOLE
R1	SL23734	RESISTANCE		WIDERSTAND	RESISTANCE	RESISTENCIA	RESISTENZA 68 OHM 22W
S1	SL23109	MICROSWITCH		MIKROSCHALTER	MICRO-INTERRUPTEUR	MICROINTERRUPTOR	MICROINTERRUTTORE
SB	SL23054	EMERGENCY BUTTON		NOTHALTASTE	BOUTON ARRÊT D'URGENCE	BOTON DE EMERGENCIA	PULSANTE EMERGENZA
SH1	SL23183	SWITCH		SCHALTER	INTERRUPTEUR	INTERRUPTOR	INTERRUTTORE CONSENSO M1
SH2	SL23183	SWITCH		SCHALTER	INTERRUPTEUR	INTERRUPTOR	INTERRUTTORE AZIONAMENTO M2
XC1	SL23103	INSULATOR		ISOLIERER	ISOLATEUR	AISLADOR	ISOLATORE
XC2	SL23414	CLAMP		KLEMME	BORNE	BORNE / SUJETADOR	MORSETTO
XC3	SL23428	CLAMP		KLEMME	BORNE	BORNE / SUJETADOR	MORSETTO
H	AL03313	HOUR METER (OPTIONAL)		STUNDENZÄHLER (OPTIONAL)	COMPTE-HEURES (OPTIONAL)	CUENTAHORAS (OPTIONAL)	CONTAORE (EVENTUALE)