



Electronic Service Manuals

This electronic document is provided as a service to our customers. We do not create the contents of the information contained in this document. Should you have detailed questions pertaining to the information contained in this document, you may contact Michco, or the manufacturer which provided the original information in this electronic deliverable. Michco's only part in this electronic deliverable was the electronic assembly process. By providing this manual on line we are not guaranteeing parts availability.

You may contact Michco through the following methods:

Phone (517) 484-9312 or (800) 331-3339

2011 N. High St. -- Lansing, Michigan -- 48906

Fax: (517) 484-9836

Email: CustServe@Michco.com

Web site: www.Michco.Com

Parts Web site: www.FloorMachineParts.Com

Order Parts on Line at:

www.FloorMachineParts.Com

Directly to Parts & Service:

By Email: **Shop@Michco.com**

By Fax: (517) 702-2041

By Voice: Use numbers above.

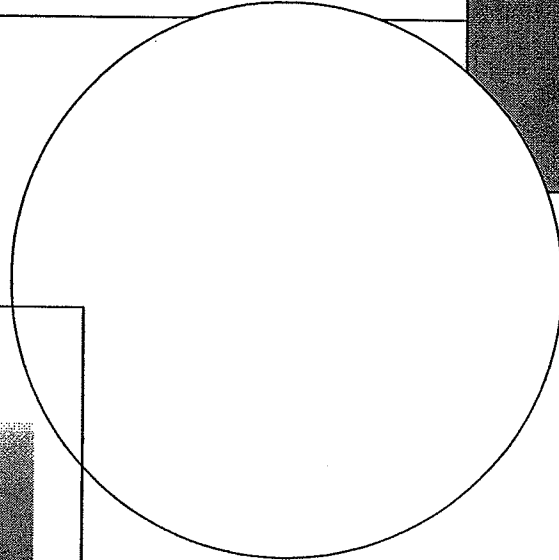
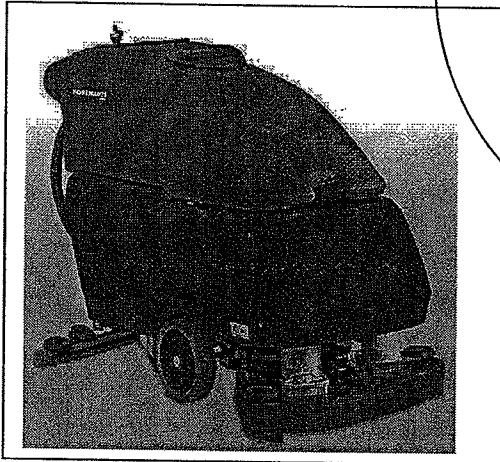
Serving the Cleaning Industry Since 1922

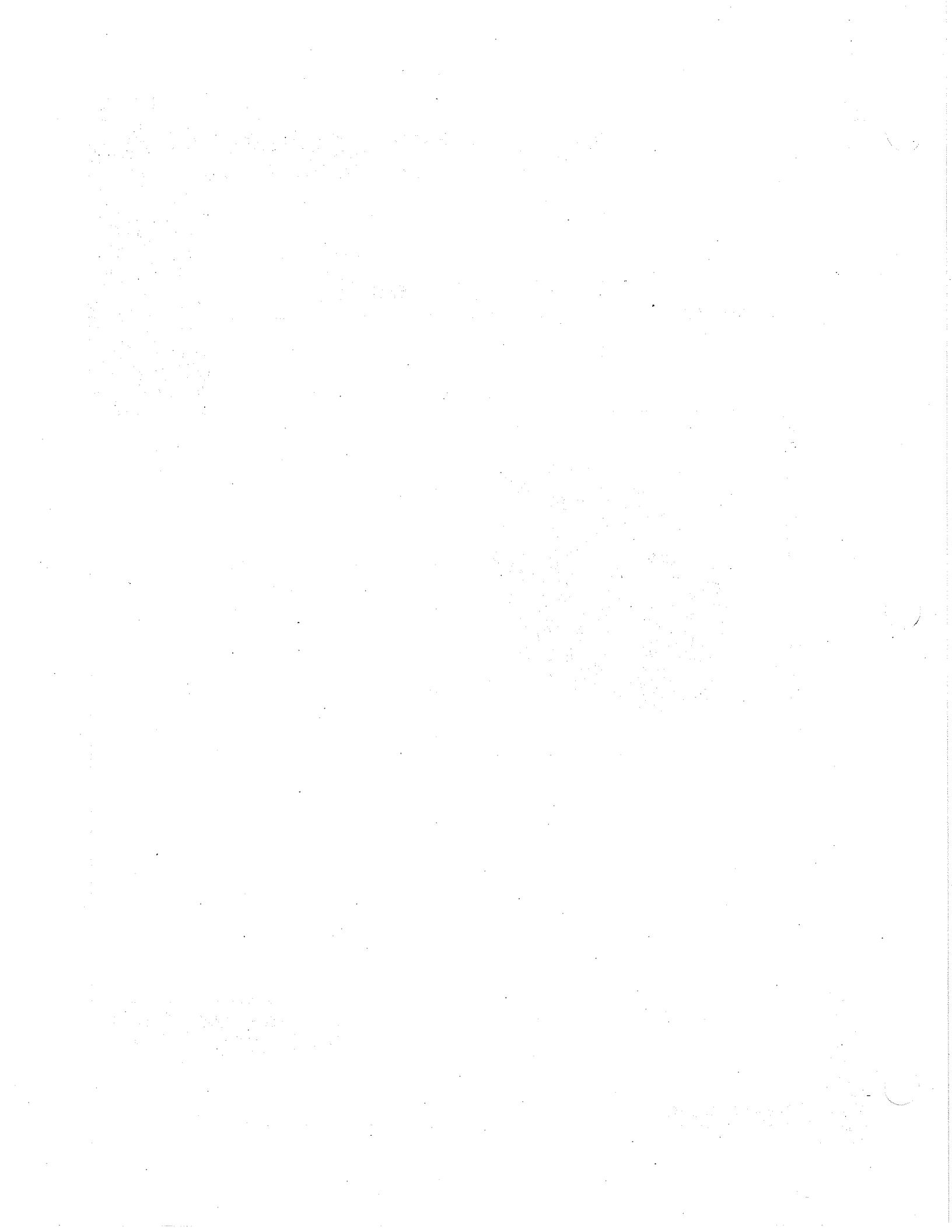
Notice: All copyrighted material remains property of original owners, all trademarks are property of respective owners. Manuals are subject to Manufacturer's reproduction limitations. Originals or reproductions were provided by manufacturers through a request. We make no warranty as to the correctness of information provided in this document and you assume all risk. By placing these manuals on line we are not declaring our corporation to be an manufacturer authorized dealer or provider, please check our web site for authorized manufacturers we represent.

FS32 Foreman™ 32 Automatic Scrubber

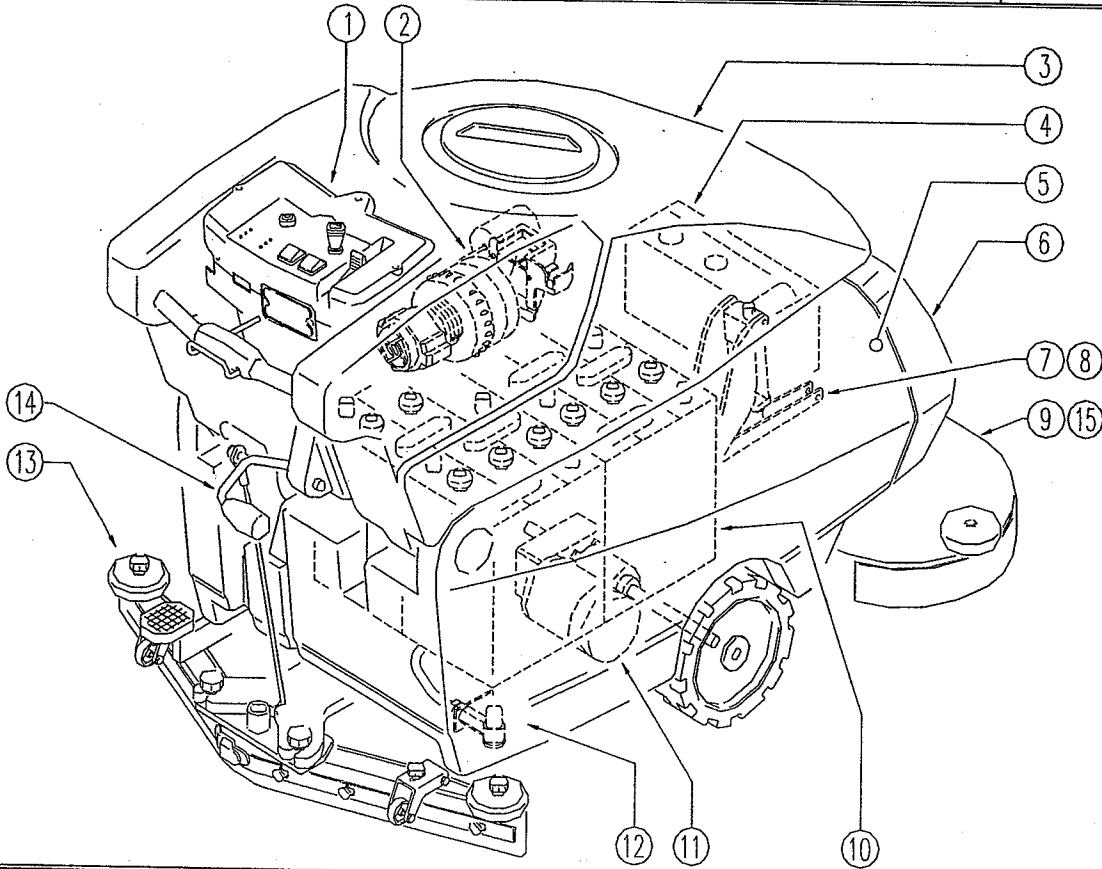
Parts Schematic

Item #86013

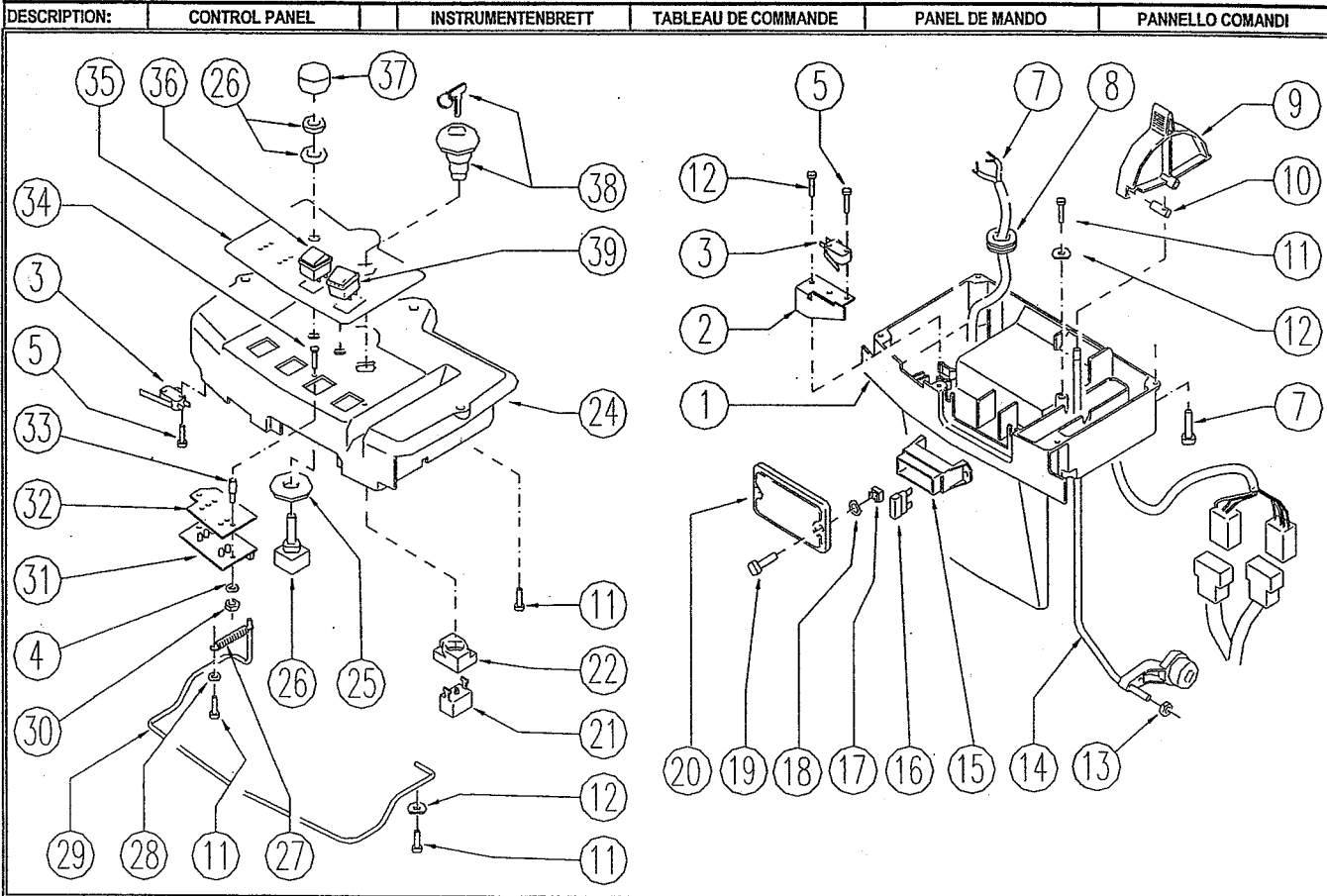




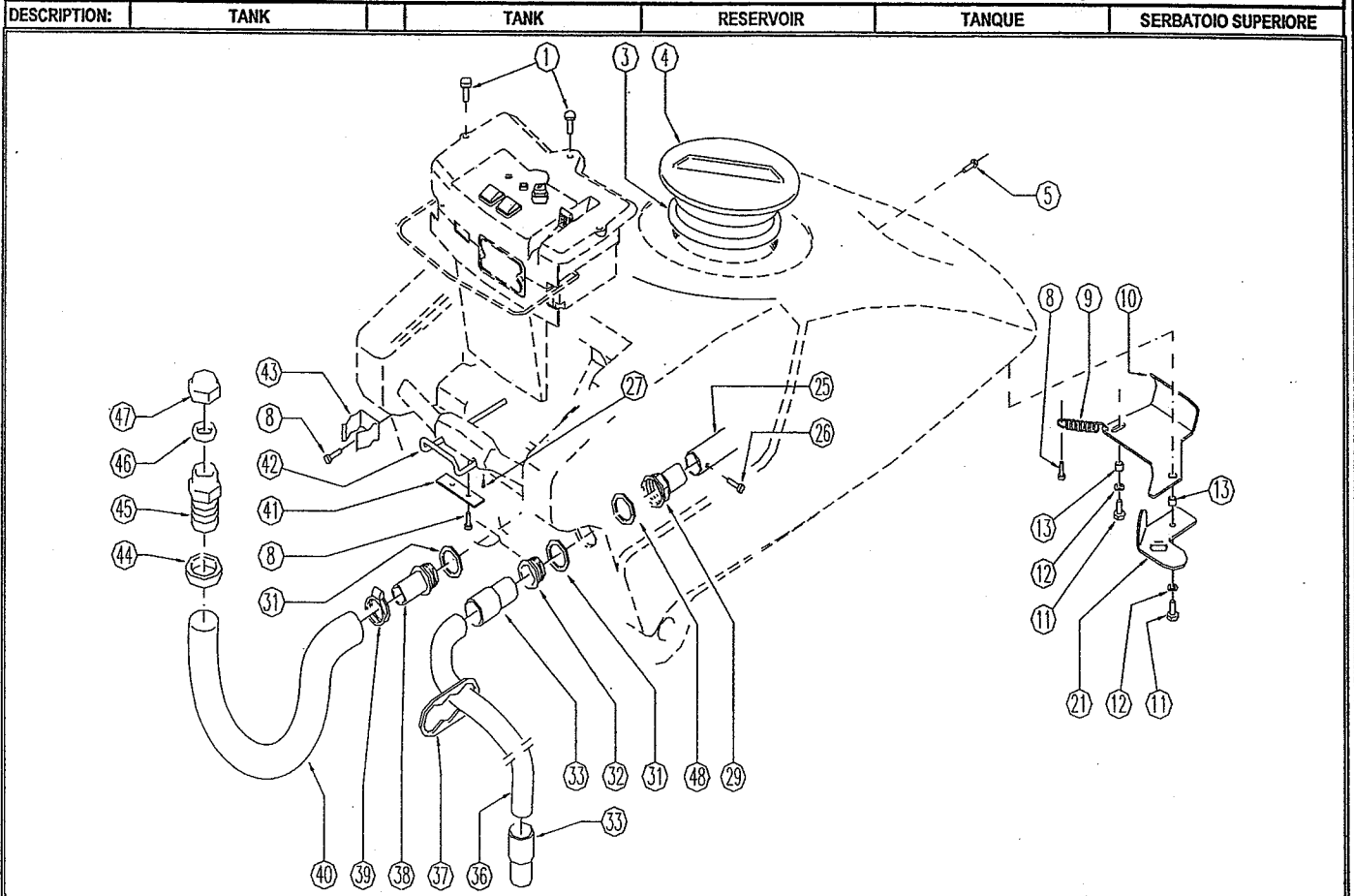
DESCRIPTION:



REF.	CODE	DESCRIPTION	QT	BESCHREIBUNG	DESCRIPTION	DESCRIPCION	DESCRIZIONE
1	PL1420	CONTROL PANEL		INSTRUMENTENBRETT	TABEAU DE COMMANDE	PANEL DE MANDO	PANNELLO COMANDI
2	PL1421	ASPIRATOR		SAUGER	ASPIRATEUR	ASPIRADOR	ASPIRATORE
3	PL1422	TANK		TANK	RESERVOIR	TANQUE	SERBATOI
4	PL1431	ELECTRIC UNIT		ELEKTRISCHE GRUPPE	GRUPE ELECTRIQUE	GRUPO ELECTRICO	COMPONENTI ELETTRICI
5	PL1423	TANK		TANK	RESERVOIR	TANQUE	SERBATOI
6	PL1438BC	EXTERNAL PARTS		EXTERNE TEILE	EXTERNES PARTIES	EXTERNAS PARTES	PARTI ESTERNE
7	PL1428	HEAD LIFT-1		KOPFHEBEVORRICHTUNG-1	SOULEVEMENT TETE-1	LEVANTAMIENTO CABEZA-1	SOLLEVAMENTO TESTATA-1
8	PL1429	HEAD LIFT-2		KOPFHEBEVORRICHTUNG-2	SOULEVEMENT TETE-2	LEVANTAMIENTO CABEZA-2	SOLLEVAMENTO TESTATA-2
9	PL1426	HEAD 85		KOPF 85	TETE 85	CABEZA 85	TESTATA 85
10	PL1432	BATTERY		BATTERIE	BATTERIE	BATERIA	BATTERIE E CABLAGGI
11	PL1424	DRIVE - BRAKE		ANTRIEB - BREMSE	TRACTION - FREIN	TRACCION - FRENO	TRAZIONE - FRENI
12	PL1427	HYDRAULIC UNIT		HYDRAULISCHE GRUPPE	GRUPE HYDRAULIQUE	GRUPO HIDRAULICO	IDRAULICO
13	PL1452	SQUEEGEE		SAUGFUß	SUCEUR	ESCURRESUELOS	SQUEEGEE
14	PL1430	SQUEEGEE LIFT		SAUGFUßHEBEVORRICHTUNG	SOULEVEMENT SUCEUR	LEVANTAMIENTO ESCURRESUELOS	SOLLEVAMENTO SQUEEGEE
15	PL1435	BRUSHES		BÜRSTE	BROSSE	CEPILLO	SPAZZOLE
	EPF02381BC-1	LABELS - DOCUMENTS		ETIKETT - DOKUMENTATION	ETIQUETTE - DOCUMENTATION	ETIQUETA - DOCUMENTACION	ETICHETTE - DOCUMENTAZIONE
	IPF02380-1	PACKING		VERPACKUNG	EMBALLAGE	EMBALAJE	IMBALLO
	WD27195	WIRING DIAGRAM		SCHALTPLAN	SCHEMA ELECTRIQUE	ESQUEMA ELECTRICO	SCHEMA ELETTRICO
	WD27195-1	ELEC. SCHEMATIC DIAGRAM		SCHALTPLAN	SCHEMA ELECTRIQUE	ESQUEMA ELECTRICO	SCHEMA Elett. FUNZIONALE

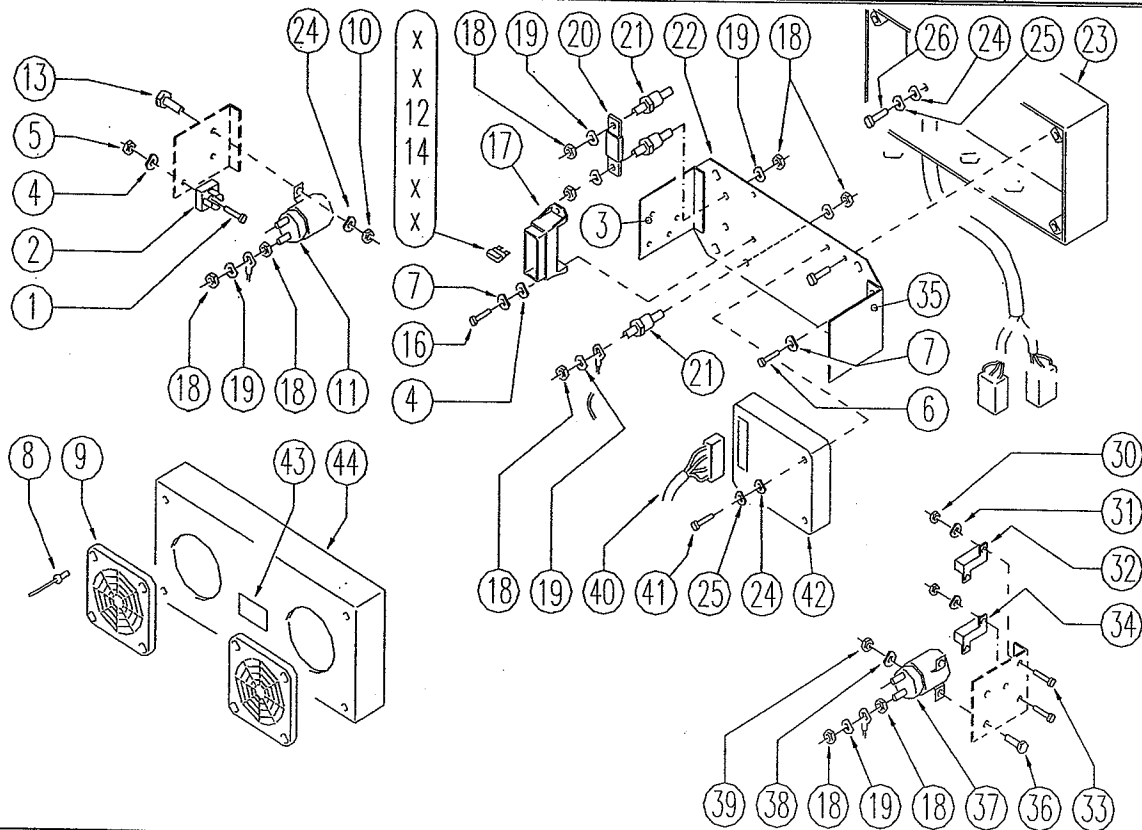


REF.	CODE	DESCRIPTION	QT	BESCHREIBUNG	DESCRIPTION	DESCRIPCION	DESCRIZIONE
	GR23741	PREASSEMBLED CTRL PANEL	1	INSTRUMENTENBRETT GRUPPE	GRUPE TABLEAU DE COMMANDE	CONJUNTO PANEL DE MANDO	PANN. COM. PREASSEMBLATO
1	SL17489-1L	CONTROL PANEL	1	INSTRUMENTENBRETT	TABLEAU DE COMMANDE	PANEL DE MANDO	PANNELLO COMANDI
2	SL39083	SPRING	1	FEDER	RESSORT	RESORTE	MOLLA
3	SL23718	MICROSWITCH	3	MIKROSCHALTER	MICRO-INTERRUPTEUR	MICROINTERRUPTOR	MICROINTERRUTTORE
4	SL06056	WASHER	2	UNTERLEGSCHIBE	RONDELLE	ARANDELA	RONDELLA
5	SL04214	SCREW	6	SCHRAUBE	VIS	TORNILLO	VITE
6	SL04187	SCREW	6	SCHRAUBE	VIS	TORNILLO	VITE
7	SL23741	WIRING	1	VERKABELUNG	CABLAGE	CABLO	CABLAGGIO P. COMANDI
8	SL23895	FAIRLEAD	1	KABELDURCHFÜHRUNG	PASSE-CABLE	GUIACABOS	PASSACAVO
9	SL17490-1	LEVER	1	HEBEL	LEVIER	PALANCA	LEVA
10	SL09808	ARTICULATION	1	GELENK	JOINT	ARTICULACION	SNODO
11	SL04327	SCREW	4	SCHRAUBE	VIS	TORNILLO	VITE
12	SL06014	WASHER	2	UNTERLEGSCHIBE	RONDELLE	ARANDELA	RONDELLA
14	SL39114	ROD	1	STANGE	TIGE	VARILLA	ASTA
13	SL05058	NUT	1	MUTTER	ECROU	TUERCA	DADO
15	SL23894-1	FUSE HOLDER	1	ABSCHMELSSSTREIFENKASTEN	PORTE FUSIBLES	PORTAFUSIBLES	PORTA FUSIBILI
16	SL23144	FUSE	3	SICHERUNG	FUSIBLE	FUSIBLE	FUSIBILE 5A
17	SL05077	NUT	2	MUTTER	ECROU	TUERCA	DADO
18	SL03116	GASKET	4	DICHTUNG	JOINT	EMPAQUETADURA	GUARNIZIONE
19	SL04377	SCREW	2	SCHRAUBE	VIS	TORNILLO	VITE
20	SL17149-1	LID	1	DECKEL	COUVERCLE	TAPA	COPERCHIO
21	SL23956	CONNECTION	1	KONTAKT	CONTACT	CONEXION	CONTATTO
22	SL23955	BASE	1	UNTERLAGE	BASE	BASE	BASE
24	SL17488-1L	CONTROL PANEL	1	INSTRUMENTENBRETT	TABLEAU DE COMMANDE	CUADRO DE MANDO	PANNELLO COMANDI
25	SL06011	WASHER	2	UNTERLEGSCHIBE	RONDELLE	ARANDELA	RONDELLA
26	SL23872	POTENTIOMETER	1	POTENTIOMETER	POTENTIOMETRE	POTENCIOMETRO	POTENZIOMETRO
27	SL13090	SPRING	1	FEDER	RESSORT	RESORTE	MOLLA
28	SL06019	WASHER	1	UNTERLEGSCHIBE	RONDELLE	ARANDELA	RONDELLA
29	SL39059	LEVER	1	HEBEL	LEVIER	PALANCA	LEVA
30	SL05019	NUT	2	MUTTER	ECROU	TUERCA	DADO
31	SL23738	BOARD	1	KARTE	FICHE	TARJETA	SCHEDA
32	SL03554	PLAQUE	1	PLÄTTCHEN	PLATINE	FLACA	PIASTRINA
33	SL07634	SPACER	2	DISTANZSTÜCK	ENTRETOISE	SEPARADOR	DISTANZIALE
34	SL04304	SCREW	2	SCHRAUBE	VIS	TORNILLO	VITE
35	SL25887	CONTROL PANEL STICKER	1	SCHALTPULTAUFKLEBER	ADHESIF PANNEAU	ETIQUETA ADHESIVA	ETICHETTA PANNELLO
36	SL23649	SWITCH	1	SCHALTER	INTERRUPTEUR	INTERRUPTOR	INTERRUTTORE
37	SL23821	HANDGRIP	1	KNOPF	POIGNEE	EMPUNADURA / BOTÓN	MANOPOLA
38	SL23954	OPERATOR	1	BEDIENER, FAHRER	OPERATEUR	OPERADOR	OPERATORE
39	SL23708	PUSH-BUTTON	1	DRUCKKNOPF	BOUTON	PULSADOR	PULSANTE



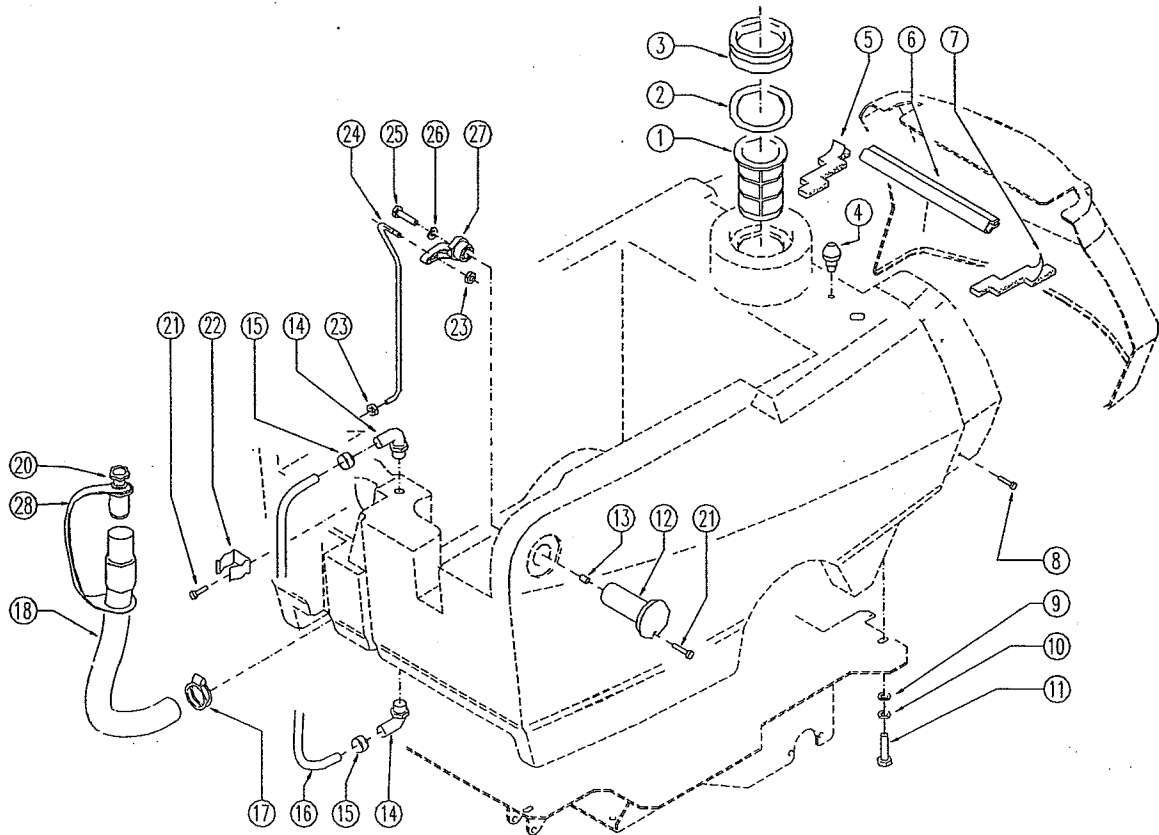
REF.	CODE	DESCRIPTION	QT	BESCHREIBUNG	DESCRIPTION	DESCRIPCION	DESCRIZIONE
1	SL04377	SCREW	3	SCHRAUBE	VIS	TORNILLO	VITE
3	SL03487	GASKET	1	DICHTUNG	JOINT	EMPAQUETADURA	GUARNIZIONE
4	SL17468	LID	1	DECKEL	COUVERCLE	TAPA	COPERCHIO
5	SL04311	SCREW	2	SCHRAUBE	VIS	TORNILLO	VITE
8	SL04371	SCREW	5	SCHRAUBE	VIS	TORNILLO	VITE
9	SL13090	SPRING	1	FEDER	RESSORT	RESORTE	MOLLA
10	SL39069	HOOKING / COUPLING	1	AUFHÄNGUNG	CROCHET	ENGANCHE / ACOPLAMIENTO	GANCIO COFANO
11	SL04289	SCREW	2	SCHRAUBE	VIS	TORNILLO	VITE
12	SL06041	WASHER	2	UNTERLEGSSCHEIBE	RONDELLE	ARANDELA	RONDELLA
13	SL07150	BUSHING / BUSH	2	BUCHSE	DOUILLE	CASQUILLO / FORRO	BOCCOLA
21	SL39109	PLAQUE	1	PLÄTTCHEN	PLATINE	PLACA	PIASTRA
25	SL07547	PIPE	1	ROHR	TUYAU	TUBO	TUBO
28	SL04325	SCREW	1	SCHRAUBE	VIS	TORNILLO	VITE
27	SL04319	SCREW	1	SCHRAUBE	VIS	TORNILLO	VITE
29	SL18349	UNION/CONNECTOR	1	ANSCHLUSS	RACCORD	UNION/CONNECTOR	RACCORDO
31	SL03416	GASKET	2	DICHTUNG	JOINT	EMPAQUETADURA	GUARNIZIONE
32	SL18355	SUCTION OPENING	1	ÖFFNUNG	SUCEUR	ORIFICIO / ABERTURA	BOCCHETTA
33	SL14003	SLEEVE	2	MUFFE	MANCHON	MANGUITO	MANICOTTO
36	SL19021	HOSE	1	SCHLAUCH	TUYAU	TUBO	TUBO
37	SL03437	PLAQUE	1	PLÄTTCHEN	PLATINE	PLACA	PIASTRINA
38	SL18362	HOSE HOLDER	1	GUMMIHALTER	PORTE-TUYAU	PORTA TUBO	RACCORDO
39	SL14354	CLAMP	1	SHELLE	BANDE	ABRAZADERA	FASCETTA
40	SL19089	HOSE	1	SCHLAUCH	TUYAU	TUBO FLEXIBLE	TUBO
41	SL39076	PLAQUE	1	PLÄTTCHEN	PLATINE	PLACA	PIASTRINA
42	GR39060	PUSH-BUTTON	1	DRÜCKKNOPF, TASTE	BOUON-POUSSOIR	PULSADOR	PULSANTE
43	SL13045	DUCT LOCK	1	SCHLAUCHHALTER	FIXE-TUYAU	BLOQUEO TUBO	FERMA-TUBO
44	SL07470	NUT	1	NUTMUTTER	FRETTE	ANILLO	GHIERA
45	SL18377	UNION / CONNECTOR	1	ANSCHLUSS	RACCORD	UNION / CONECTOR	RACCORDO
46	SL03441	GASKET	1	DICHTUNG	JOINT	EMPAQUETADURA	GUARNIZIONE
47	MP18378	CAP	1	KAPPE	CALOTTE	CASQUETE	CALOTTA
48	SL03469	GASKET	1	DICHTUNG	JOINT	EMPAQUETADURA	GUARNIZIONE

DESCRIPTION: ELECTRICAL PARTS ELEKTRISCHE TELLE PARTS ELECTRIQUES PARTES ELECTRICAS PARTI ELETTRICHE



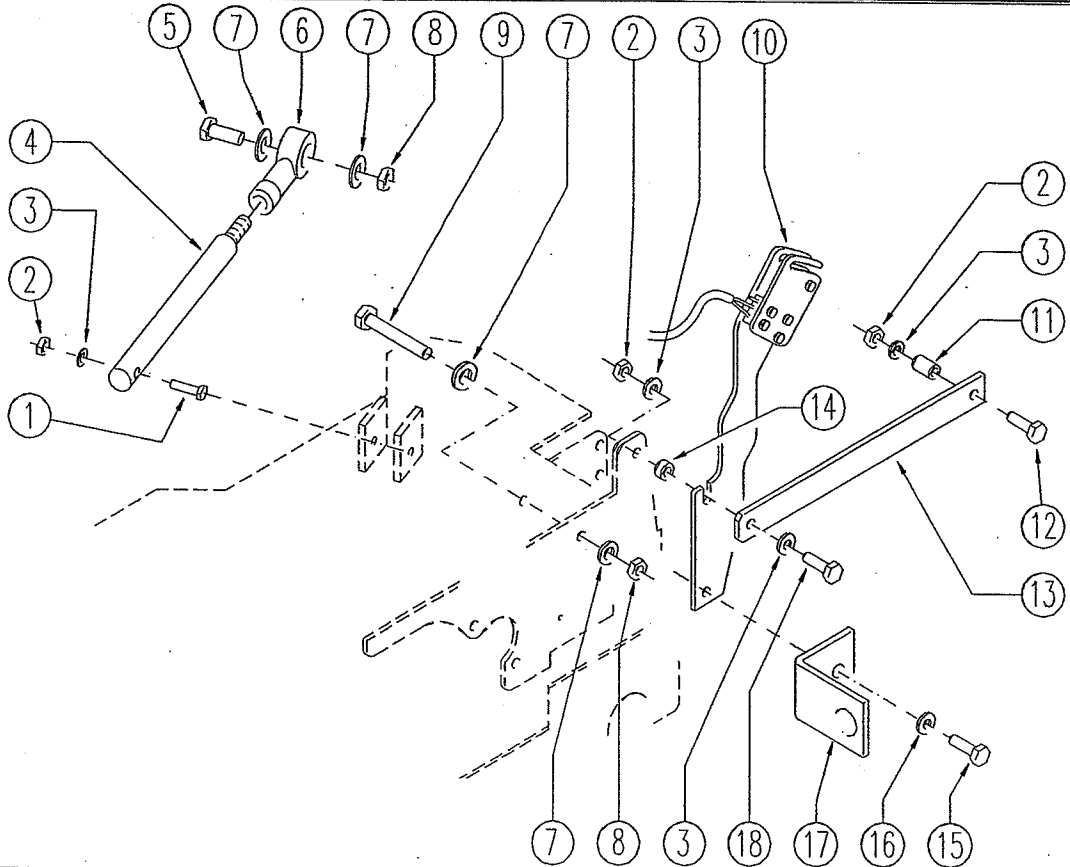
REF.	CODE	DESCRIPTION	QT	BESCHREIBUNG	DESCRIPTION	DESCRIPCION	DESCRIZIONE
1	SL04149	SCREW	1	SCHRAUBE	VIS	TORNILLO	VITE
2	SL23081	BRIDGE / JUMPER	1	BRÜCKE	PONT	PUNTE	PONTE
3	SL39082-1	BRACKET	1	BÜGEL	ETRIER	ESTRIBO	STAFFA PONTE DIODI
4	SL06019	WASHER	8	UNTERLEGSCHLEIBE	RONDELLE	ARANDELA	RONDELLA
5	SL05034	NUT	2	MUTTER	ECROU	TUERCA	DADO
6	SL04226	SCREW	4	SCHRAUBE	VIS	TORNILLO	VITE 4X10
7	SL06107	WASHER	4	UNTERLEGSCHLEIBE	RONDELLE	ARANDELA	RONDELLA GROWER 4
8	SL14039	RIVET	8	NIETE	RIVET	REMACHE	RIVETTO
9	SL03578	GRATING	2	GITTER	GRILLE	REJILLA	GRIGLIA
10	SL05043	NUT	2	MUTTER	ECROU	TUERCA	DADO
11	SL23001	REMOTE CONTROL SWITCH	1	FERNSCHALTER	TELE-INTERRUPTEUR	TELEINTERRUPTOR	TELERUTTORE
12	SL23892	FUSE	1	SICHERUNG	FUSIBLE	FUSIBLE	FUSIBILE 40A
13	SL04081	SCREW	2	SCHRAUBE	VIS	TORNILLO	VITE
14	SL23650	FUSE	1	SICHERUNG	FUSIBLE	FUSIBLE	FUSIBILE 10A
16	SL04186	SCREW	2	SCHRAUBE	VIS	TORNILLO	VITE 4X12
17	SL23894	FUSE HOLDER	1	ABSCHMELSSSTREIFENKASTEN	PORTE FUSIBLES	PORTAFUSIBLES	PORTA FUSIBILI
18	SL05004	NUT	18	MUTTER	ECROU	TUERCA	DADO 8
19	SL06083	WASHER	14	UNTERLEGSCHLEIBE	RONDELLE	ARANDELA	RONDELLA GROWER 8
20	SL23740	FUSE	1	SICHERUNG	FUSIBLE	FUSIBLE	FUSIBILE
21	SL23103	SUPPORT	3	HALTERUNG	SUPPORT	SOPORTE	SUPPORTO
22	SL39082	PLATE	1	PLATTE	PLAQUE	PLACA	PIASTRA
23	SL23716-2	BOX BASE	1	KASTEN, GEHÄUSE BASIS	BASE BOITE	BASE CAJA	BASE SCATOLA
24	SL06034	WASHER	6	UNTERLEGSCHLEIBE	RONDELLE	ARANDELA	RONDELLA
25	SL06034	WASHER	4	UNTERLEGSCHLEIBE	RONDELLE	ARANDELA	RONDELLA
26	SL04371	SCREW	4	SCHRAUBE	VIS	TORNILLO	VITE
27	SL04327	SCREW	4	SCHRAUBE	VIS	TORNILLO	VITE
30	SL06019	NUT	4	MUTTER	ECROU	TUERCA	DADO 3
31	SL06056	WASHER	4	UNTERLEGSCHLEIBE	RONDELLE	ARANDELA	RONDELLA 3
32	SL23957	RESISTANCE	1	WIDERSTAND	RESISTANCE	RESISTENCIA	RESISTENZA
33	SL04179	SCREW	4	SCHRAUBE	VIS	TORNILLO	VITE
34	SL23397	RESISTANCE	1	WIDERSTAND	RESISTANCE	RESISTENCIA	RESISTENZA 1 OHM 25W
35	SL39082-2	BRACKET	1	BÜGEL	ETRIER	ESTRIBO	STAFFA RESISTENZE
36	SL04082	SCREW	2	SCHRAUBE	VIS	TORNILLO	VITE
37	SL23735	REMOTE CONTROL SWITCH	1	FERNSCHALTER	TELE-INTERRUPTEUR	TELEINTERRUPTOR	TELERUTTORE
38	SL06004	WASHER	2	UNTERLEGSCHLEIBE	RONDELLE	ARANDELA	RONDELLA
39	SL05058	NUT	2	MUTTER	ECROU	TUERCA	DADO
40	SL23221	CONNECTOR	1	VERBINDER	CONNECTEUR	CONECTOR	CONNETTORE 6 VIE
41	SL04385	SCREW	2	SCHRAUBE	VIS	TORNILLO	VITE
42	SL23729	GEARCASE / BOARD	1	ZENTRALE / KARTE	FICHE DE CONTROLE	CENTRALITA / TARIETA	CENTRALINA
43	SL25187	LABEL	1	ETIKETT	ETIQUETTE	ETIQUETA	ADESIVO
44	SL23716-1L	BOX COVER	1	KASTEN, GEHÄUSE DECKEL	GOUVERCLE BOITE	TAPA CAJA	COPERCHIO SCATOLA

DESCRIPTION: TANK TANK RESERVOIR TANQUE SERBATOIO INFERIORE



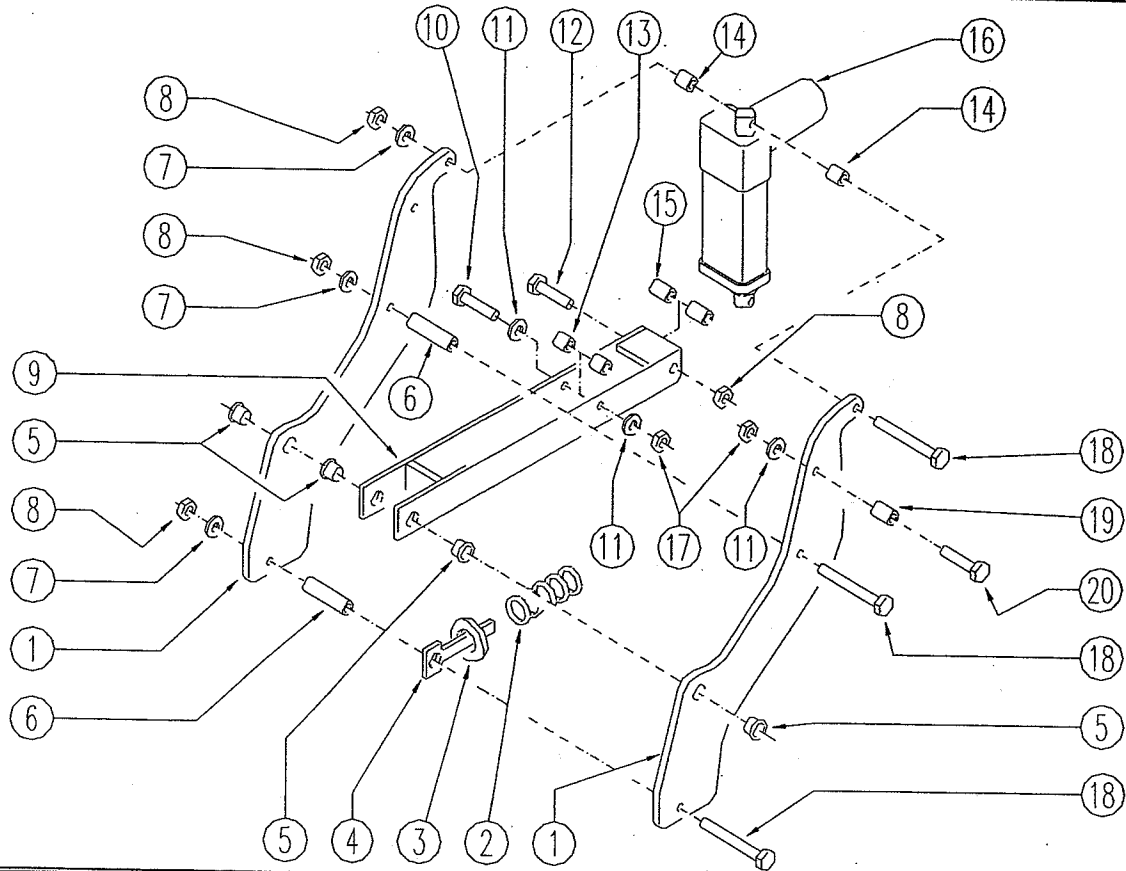
REF	CODE	DESCRIPTION	QT	BESCHREIBUNG	DESCRIPTION	DESCRIPCION	DESCRIZIONE
1	SL03526	FILTER	1	FILTER	FILTRE	FILTRO	FILTRO
2	SL03575	GASKET	1	DICHTUNG	JOINT	EMPAQUETADURA	GUARNIZIONE
3	SL03566	GASKET	1	DICHTUNG	JOINT	EMPAQUETADURA	GUARNIZIONE
4	SL07529	PIN	1	ZAPFEN	PIVOT	PERNO / PIVOTE	PERNO
5	SL03980	GASKET	1	DICHTUNG	JOINT	EMPAQUETADURA	GUARNIZIONE
6	SL03551	GASKET	1	DICHTUNG	JOINT	EMPAQUETADURA	GUARNIZIONE
7	SL03979	GASKET	1	DICHTUNG	JOINT	EMPAQUETADURA	GUARNIZIONE
8	SL04395	SCREW	4	SCHRAUBE	VIS	TORNILLO	VITE
9	SL06050	WASHER	4	UNTERLEGSCHIEBE	RONDELLE	ARANDELA	RONDELLA
10	SL06108	WASHER	4	UNTERLEGSCHIEBE	RONDELLE	ARANDELA	RONDELLA
11	SL04040	SCREW	4	SCHRAUBE	VIS	TORNILLO	VITE
12	SL17493-1	PIN	2	ZAPFEN	PIVOT	PERNO / PIVOTE	PERNO
13	SL04171	INSERT	2	EINSATZ	SEGMENT	ENCAJE	INSERTO
14	SL18232	UNION / CONNECTOR	2	ANSCHLUSS	RACCORD	UNION / CONECTOR	RACCORDO
15	SL14109	CLAMP	2	SCHELLE	BANDE	ABRAZADERA	FASCETTA
16	SL19097	HOSE	1	SCHLAUCH	TUYAU	TUBO	TUBO
17	SL14063	CLAMP	1	SCHELLE	BANDE	ABRAZADERA	FASCETTA
18	SL19113-1	HOSE	1	SCHLAUCH	TUYAU	TUBO	TUBO
20	SL18395	CAP	1	STOPFEN VERSCHLUSS	BOUCHON	TAPON	TAPPO
21	SL04371	SCREW	4	SCHRAUBE	VIS	TORNILLO	VITE
22	SL13118	DUCT LOCK	1	SCHLAUCHHALTER	FIXE-TUYAU	BLOQUEO TUBO	FERMA-TUBO
23	SL05041	NUT	2	MUTTER	ECROU	TUERCA	DADO
24	SL39079	ROD	1	STANGE	TIGE	VARILLA	ASTA
25	SL04180	SCREW	1	SCHRAUBE	VIS	TORNILLO	VITE
26	SL06015	WASHER	1	UNTERLEGSCHIEBE	RONDELLE	ARANDELA	RONDELLA
27	SL17491-1	LEVER	1	HEBEL	LEVIER	PALANCA	LEVA
28	SL03577	CLAMP	1	SCHELLE	BANDE	ABRAZADERA	FASCETTA

DESCRIPTION: HEAD LIFTING KOPFHEBEVORRICHTUNG SOULEVEMENT TETE LEVANTAMIENTO CABEZA SOLLEVAMENTO TESTATA

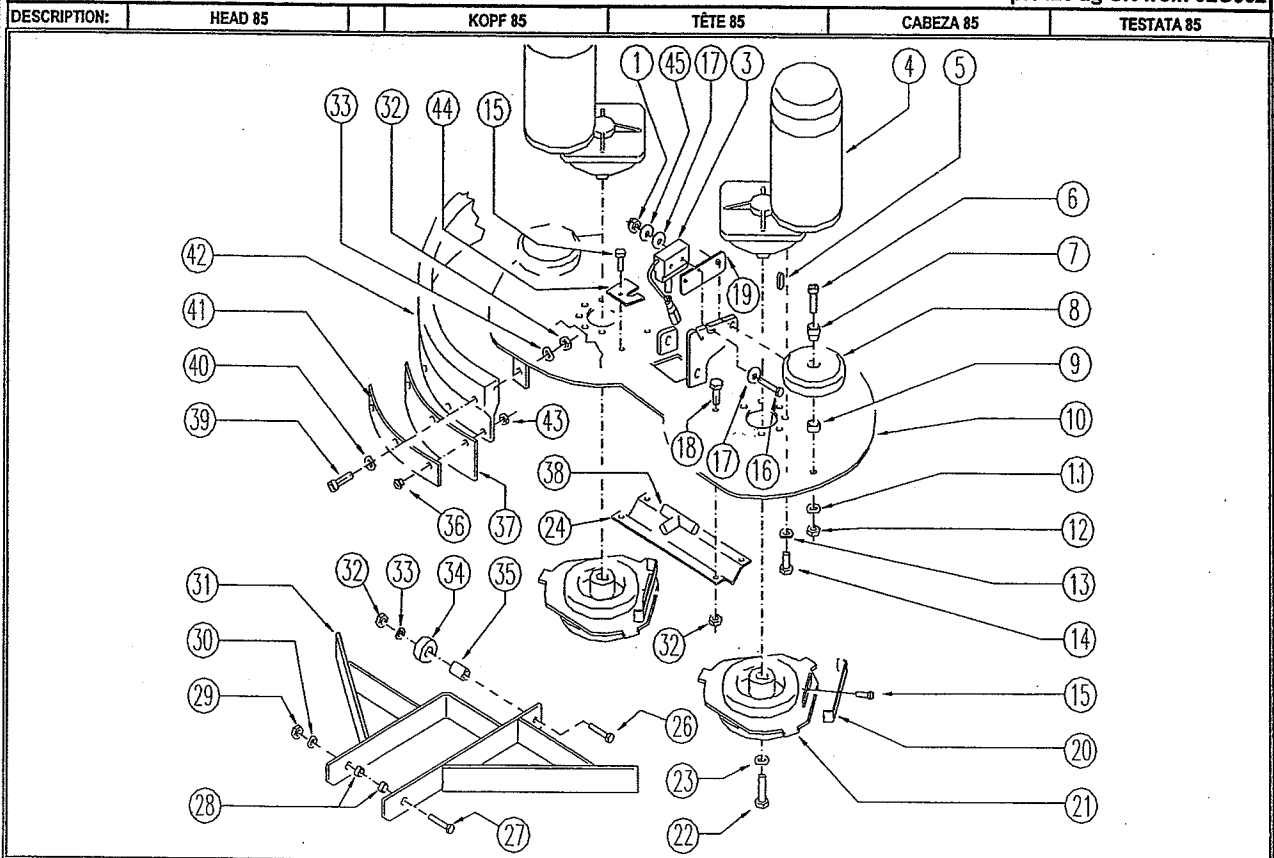


REF.	CODE	DESCRIPTION	QT	BESCHREIBUNG	DESCRIPTION	DESCRIPCION	DESCRIZIONE
1	SL04164	SCREW	1	SCHRAUBE	VIS	TORNILLO	VITE
2	SL05039	NUT	3	MUTTER	ECROU	TUERCA	DADO
3	SL06041	WASHER	4	UNTERLEGSCHIEBE	RONDELLE	ARANDELA	RONDELLA
4	SL39072	LEVER	1	HEBEL	LEVIER	PALANCA	LEVA
5	SL04304	SCREW	1	SCHRAUBE	VIS	TORNILLO	VITE
6	SL22004	ARTICULATION	1	GELENK	JOINT	ARTICULACION	SNODO
7	SL06005	WASHER	4	UNTERLEGSCHIEBE	RONDELLE	ARANDELA	RONDELLA
8	SL05013	NUT	2	MUTTER	ECROU	TUERCA	DADO
9	SL04151	SCREW	1	SCHRAUBE	VIS	TORNILLO	VITE
10	GR53004	SUPPORT ASSEMBLY	1	HALTERUNGSGRUPPE	GRUPE SUPPORT	CONJUNTO SOPORTE	GRUPPO SUPPORTO
11	SL07112	SPACER	1	DISTANZSTUCK	ENTRETOISE	SEPARADOR	DISTANZIALE
12	SL04127	SCREW	1	SCHRAUBE	VIS	TORNILLO	VITE
13	SL39073	LEVER	1	HEBEL	LEVIER	PALANCA	LEVA
14	SL07150	SPACER	1	DISTANZSTUCK	ENTRETOISE	SEPARADOR	DISTANZIALE
15	SL04134	SCREW	1	SCHRAUBE	VIS	TORNILLO	VITE
16	SL06083	WASHER	1	UNTERLEGSCHIEBE	RONDELLE	ARANDELA	ROSETTA
17	SL39112	SUPPORT	1	HALTERUNG	SUPPORT	SOPORTE	SUPPORTO
18	SL04075	SCREW	1	SCHRAUBE	VIS	TORNILLO	VITE

DESCRIPTION:	HEAD LIFTING	KOPFHEBEVORRICHTUNG	SOULEVEMENT TETE	LEVANTAMIENTO CABEZA	SOLLEVAMENTO TESTATA
--------------	--------------	---------------------	------------------	----------------------	----------------------

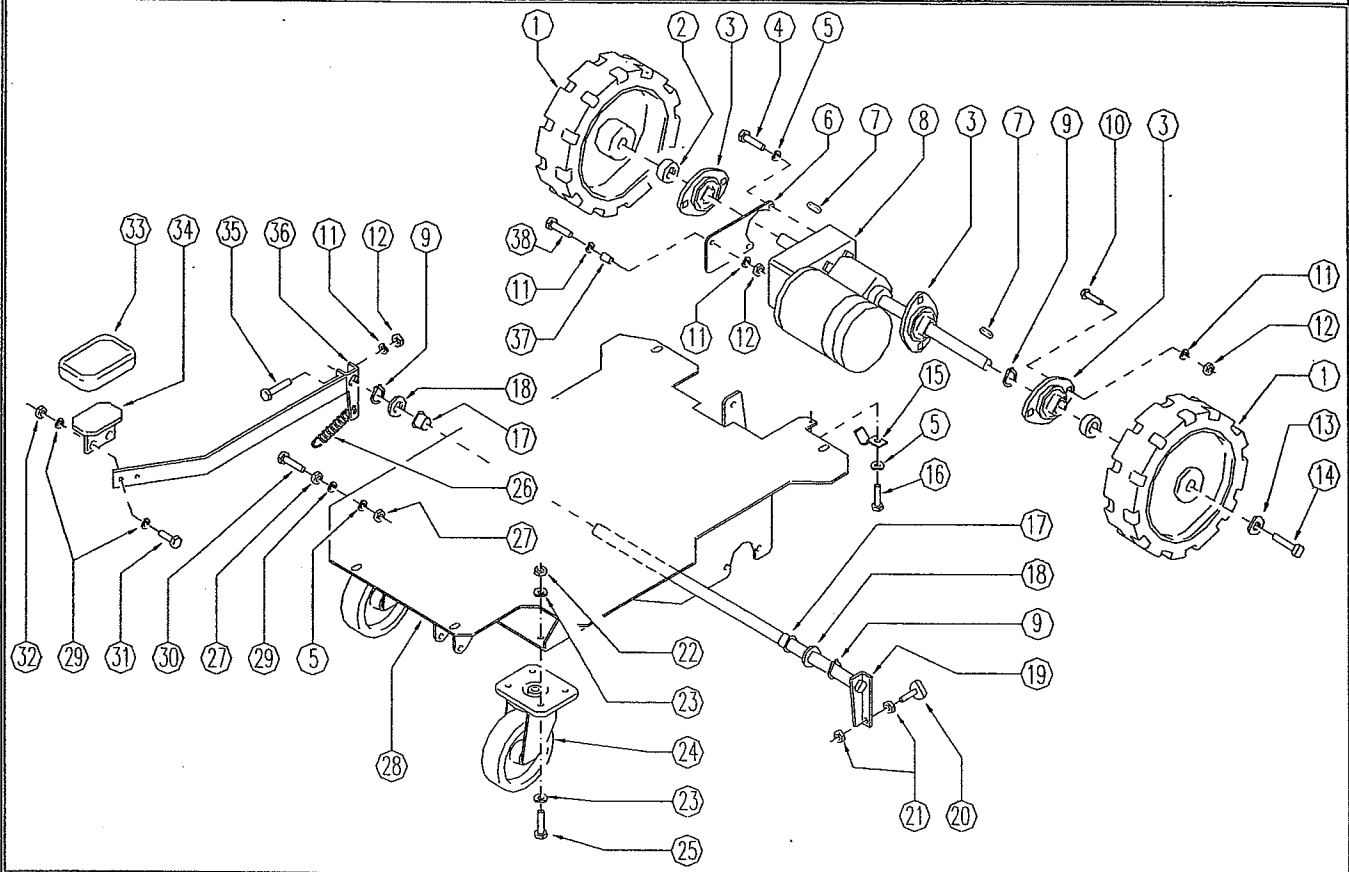


REF	CODE	DESCRIPTION	QT	BESCHREIBUNG	DESCRIPTION	DESCRIPCION	DESCRIZIONE
1	SL39066	LEVER	2	HEBEL	LEVER	PALANCA	LEVA
2	SL13132	SPRING	1	FEDER	RESSORT	RESSORTE	MOLLA
3	SL06029	WASHER	1	UNTERLEGSCHIEBE	RONDELLE	ARANDELA	RONDELLA
4	SL39067	SPRING GUIDE	1	FEDERFÜHRUNG	GLISSIERE RESSORT	GUIA DE LA MOLLA	GUIDA MOLLA
5	SL12072	BUSHING	4	BUCHSE	DOUILLE	CASQUILLO / FORRO	BOCCOLA
6	SL07528	SPACER	2	DISTANZSTÜCK	ENTRETOISE	SEPARADOR	DISTANZIALE
7	SL06041	WASHER	3	UNTERLEGSCHIEBE	RONDELLE	ARANDELA	RONDELLA
8	SL05039	NUT	4	MÜTTER	ECROU	TUERCA	DADO
9	SL39074	LEVER	1	HEBEL	LEVER	PALANCA	LEVA
10	SL04387	SCREW	1	SCHRAUBE	VIS	TORNILLO	VITE
11	SL06022	WASHER	3	UNTERLEGSCHIEBE	RONDELLE	ARANDELA	RONDELLA
12	SL04200	SCREW	1	SCHRAUBE	VIS	TORNILLO	VITE
13	SL07318	SPACER	2	DISTANZSTÜCK	ENTRETOISE	SEPARADOR	DISTANZIALE
14	SL07527	SPACER	2	DISTANZSTÜCK	ENTRETOISE	SEPARADOR	DISTANZIALE
15	SL07063	SPACER	2	DISTANZSTÜCK	ENTRETOISE	SEPARADOR	DISTANZIALE
16	SL02204	ACTUATOR	1	TRIEB	ACTIONNEUR	ACCIONADOR	ATTUATORE
17	SL05041	NUT	2	MÜTTER	ECROU	TUERCA	DADO
18	SL04201	SCREW	3	SCHRAUBE	VIS	TORNILLO	VITE
19	SL07165	SPACER	1	DISTANZSTÜCK	ENTRETOISE	SEPARADOR	DISTANZIALE
20	SL04133	SCREW	1	SCHRAUBE	VIS	TORNILLO	VITE



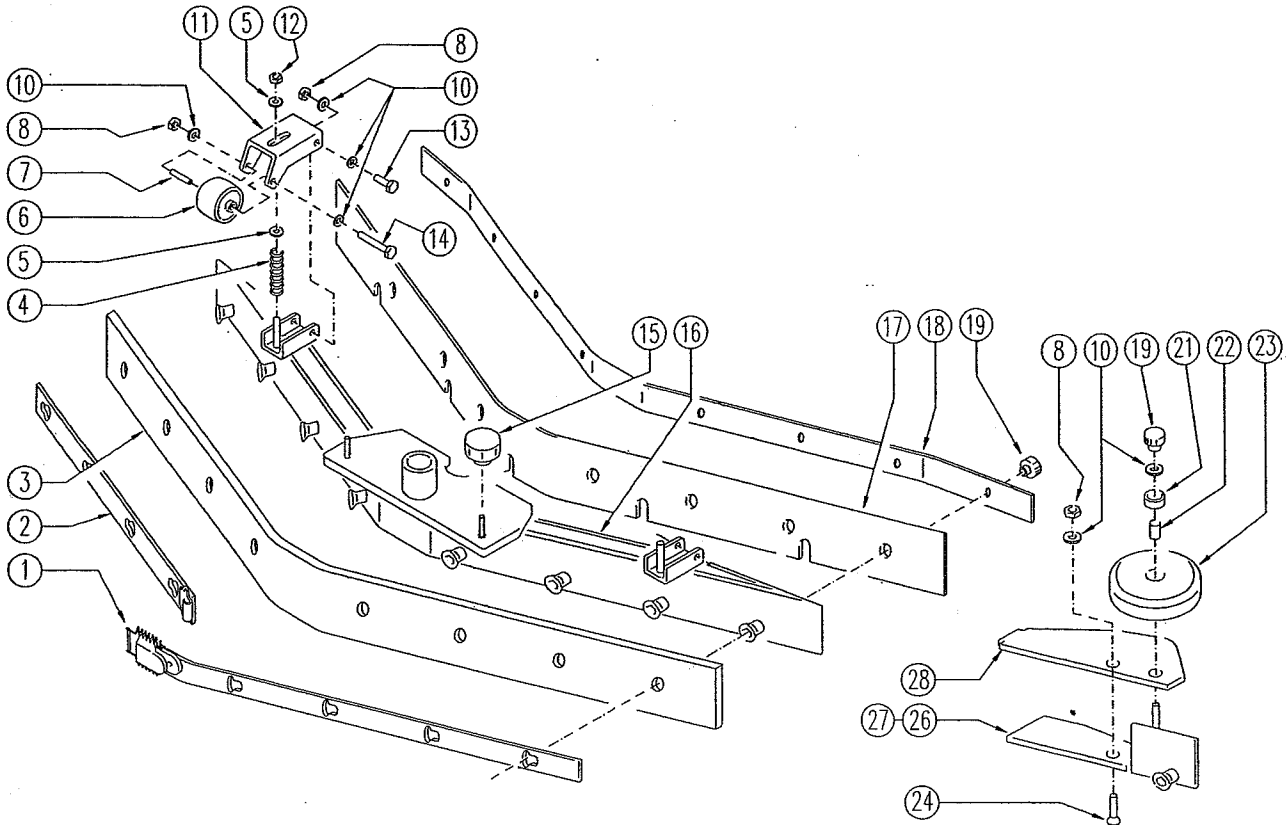
DESCRIPTION:	HEAD 85	KOPF 85	TÊTE 85	CABEZA 85	TESTATA 85		
REF.	CODE	DESCRIPTION	QT	BESCHREIBUNG	DESCRIPTION	DESCRIPCION	DESCRIZIONE
1	SL05078	NUT	2	MUTTER	ECROU	TUERCA	DADO
3	GR53048	MICROSWITCH	1	MIKROSCHALTER	MICRO-INTERRUPTEUR	MICROINTERRUPTOR	MICROINTERRUTTORE
4	SL02251	GEARMOTOR	2	GETRIEBEMOTOR	MOTO-REDUCTEUR	MOTORREDUCTOR	MOTORIDUTTORE
5	SL11002	TANG / TONGUE	2	LAPPEN	LANGUETTE	LINGUETTA	LINGUETTA
6	SL04167	SCREW	2	SCHRAUBE	VIS	TORNILLO	VITE
7	SL07390	BUSHING	2	BUCHSE	DOUILLE	BULLON	BOCCOLA
8	SL08040	WHEEL	2	RÄDCHEN	ROUE	RUEDA	RUOTINO
9	SL07297	SPACER	2	DISTANZSTÜCK	ENTRETOISE	SEPARADOR	DISTANZIALE
10	SL39081	HEAD	1	KOPF	TÊTE	CABEZA	TESTATA
11	SL06041	WASHER	3	UNTERLEGSCHIEBE	RONDELLE	ARANDELA	RONDELLA
12	SL05039	NUT	3	MUTTER	ECROU	TUERCA	DADO
13	SL06093	WASHER	14	UNTERLEGSCHIEBE	RONDELLE	ARANDELA	RONDELLA
14	SL04180	SCREW	14	SCHRAUBE	VIS	TORNILLO	VITE
15	SL04079	SCREW	3	SCHRAUBE	VIS	TORNILLO	VITE
16	SL04404	SCREW	2	SCHRAUBE	VIS	TORNILLO	VITE
17	SL06031	WASHER	4	UNTERLEGSCHIEBE	RONDELLE	ARANDELA	RONDELLA
18	SL04278	SCREW	4	SCHRAUBE	VIS	TORNILLO	VITE
19	SL39200	PLAQUE	1	PLÄTTCHEN	PLATINE	PLACA	PIASTRINA
20	SL13136	SPRING	2	FEDER	RESSORT	RESORTE	MOLLA
21	SL01042	FLANGE	2	FLANSCH	BRIDE	BRIDA	FLANGIA
22	SL04020	SCREW	2	SCHRAUBE	VIS	TORNILLO	VITE
23	SL06081	WASHER	2	UNTERLEGSCHIEBE	RONDELLE	ARANDELA	RONDELLA
24	SL39113	DISTRIBUTOR	1	WASSERVERTEILER	DISTRIBUTEUR	DISTRIBUIDOR	DISTRIBUTORE
26	SL04061	SCREW	1	SCHRAUBE	VIS	TORNILLO	VITE
27	SL04389	SCREW	1	SCHRAUBE	VIS	TORNILLO	VITE
28	SL07133	SPACER	2	DISTANZSTÜCK	ENTRETOISE	SEPARADOR	DISTANZIALE
29	SL05013	NUT	1	MUTTER	ECROU	TUERCA	DADO
30	SL06005	WASHER	1	UNTERLEGSCHIEBE	RONDELLE	ARANDELA	RONDELLA
31	SL39124	BRACKET	1	BÜGEL	ETRIER	ESTRIBO	STAFFA
32	SL05041	NUT	8	MUTTER	ECROU	TUERCA	DADO
33	SL06022	WASHER	4	UNTERLEGSCHIEBE	RONDELLE	ARANDELA	RONDELLA
34	SL08058	SMALL WHEEL	1	RADCHEN	ROUE	RUEDECILLA	RUOTINO
35	SL07526	SPACER	1	DISTANZSTÜCK	ENTRETOISE	SEPARADOR	DISTANZIALE
36	SL04395	SCREW	6	SCHRAUBE	VIS	TORNILLO	VITE
37	SL03562	FLAP	2	FLAP	FLAP	FLAP	FLAP
38	SL18243	UNION / CONNECTOR	1	ANSCHLUSS	RACCORD	UNION / CONECTOR	RACCORDO (o RESCA)
39	SL04324	SCREW	3	SCHRAUBE	VIS	TORNILLO	VITE
40	SL06039	WASHER	3	UNTERLEGSCHIEBE	RONDELLE	ARANDELA	RONDELLA
41	SL03570	FLAP PRESS	2	FLAPNIEDERHALTER	PRESSE-FLAP	APRIETAFLAP	PREMI FLAP
42	SL03550	GASKET	1	DICHTUNG	JOINT	EMPAQUETADURA	GUARNIZIONE
43	SL05029	NUT	6	MUTTER	ECROU	TUERCA	DADO
44	SL39138	PLAQUE	1	PLÄTTCHEN	PLATINE	PLACA	PIASTRINA
45	SL06107	WASHER	2	UNTERLEGSCHIEBE	RONDELLE	ARANDELA	RONDELLA

DESCRIPTION: FRAME AND DRIVE RAHMEN UND ANTRIEB CHASSIS ET TRACTION CHASIS Y TRACCION TELAIO E TRAZIONE



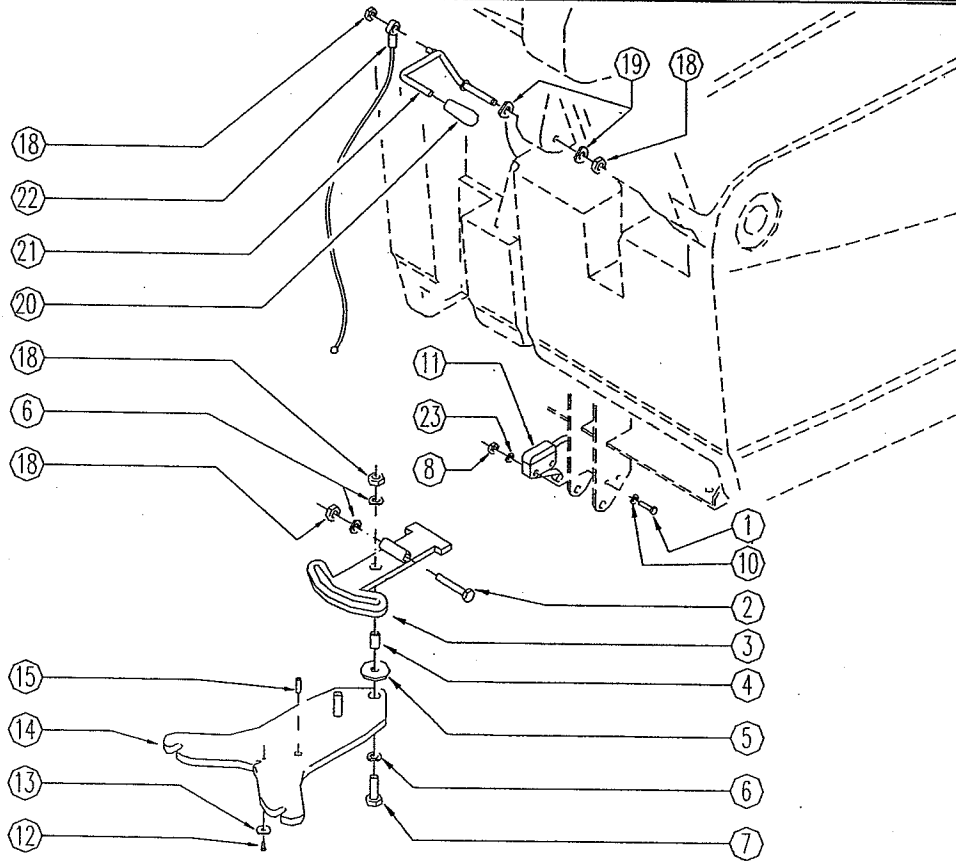
REF.	CODE	DESCRIPTION	QT	BESCHREIBUNG	DESCRIPTION	DESCRIPCION	DESCRIZIONE
1	SL08054	WHEEL	2	RÄDCHEN	ROUE	RUEDA	RUOTA
2	SL12031-1	SPACER	2	DISTANZSTÜCK	ENTRETOISE	SEPARADOR	DISTANZIALE
3	SL12031	BEARING	3	LAGER	PALIER / ROULEMENT	COJINETE	CUSCINETTO
4	SL04135	SCREW	2	SCHRAUBE	VIS	TORNILLO	VITE
5	SL06053	WASHER	4	UNTERLEGSCHIBE	RONDELLE	ARANDELA	RONDELLA
6	SL39085	PLATE	1	PLATTE	PLAQUE	PLACA	PIASTRA
7	SL11105	TANG / TONGUE	2	LAPPEN	LANGUETTE	LINGUETA	LINGUETTA
8	SL02250	MOTOR	1	MOTOR	MOTEUR	MOTORE	MOTORE
9	SL11084	RING	3	RING	ANNEAU / BAGUE	ANELLO	ANELLO
10	SL04355	SCREW	6	SCHRAUBE	VIS	TORNILLO	VITE
11	SL06041	WASHER	9	UNTERLEGSCHIBE	RONDELLE	ARANDELA	RONDELLA
12	SL05039	NUT	7	MUTTER	ECROU	TUERCA	DADO
13	SL06069	WASHER	2	UNTERLEGSCHIBE	RONDELLE	ARANDELA	RONDELLA
14	SL04269	SCREW	2	SCHRAUBE	VIS	TORNILLO	VITE
15	SL14353	CLIP	1	KLAMMER	AGRAFE	GRAPA	GRAFFETTA
16	SL04180	SCREW	1	SCHRAUBE	VIS	TORNILLO	VITE
17	SL12035	BEARING	2	LAGER	PALIER / ROULEMENT	COJINETE	CUSCINETTO
18	SL06079	WASHER	2	UNTERLEGSCHIBE	RONDELLE	ARANDELA	RONDELLA
19	SL39075	BRAKE AXLE	1	BREMSEACHSE	ESSIEU FREIN	EJE FRENO	ASSE
20	SL20059	PLUG / STOPPER	2	PUFFER	TAMPON	TAPON / ALMOHADILLA	TAMPONE
21	SL05048	NUT	4	MUTTER	ECROU	TUERCA	DADO
22	SL05032	NUT	8	MUTTER	ECROU	TUERCA	DADO
23	SL06011	WASHER	16	UNTERLEGSCHIBE	RONDELLE	ARANDELA	RONDELLA
24	SL08007	SMALL WHEEL	2	RÄDCHEN	ROUE	RUEDECILLA	RUOTINO
25	SL04132	SCREW	8	SCHRAUBE	VIS	TORNILLO	VITE
26	SL13011	SPRING	1	FEDER	RESSORT	RESORTE	MOLLA
27	SL05017	NUT	2	MUTTER	ECROU	TUERCA	DADO
28	SL39065	FRAME	1	RAHMEN	CADRE	CHASIS	TELAIO
29	SL06022	WASHER	5	UNTERLEGSCHIBE	RONDELLE	ARANDELA	RONDELLA
30	SL04144	SCREW	1	SCHRAUBE	VIS	TORNILLO	VITE
31	SL04002	SCREW	2	SCHRAUBE	VIS	TORNILLO	VITE
32	SL05074	NUT	2	MUTTER	ECROU	TUERCA	DADO
33	SL20013	RUBBER SHIM	1	ZWISCHENLEGSCHIBE AUS GUMMI	CALE EN CAOUTCHOUC	RIOSTRA DE GOMA	GOMMA
34	SL09133	PEDAL	1	PEDAL	PEDALE	PEDAL	PEDALE
35	SL04164	SCREW	1	SCHRAUBE	VIS	TORNILLO	VITE
36	SL39077	LEVER	1	HEBEL	LEVIER	PALANCA	LEVA
37	SL07387	SPACER	1	DISTANZSTÜCK	ENTRETOISE	SEPARADOR	DISTANZIALE
38	SL04075	SCREW	1	SCHRAUBE	VIS	TORNILLO	VITE

DESCRIPTION: SQUEEGEE SQUEEGEE SQUEEGEE SQUEEGEE SQUEEGEE



REF	CODE	DESCRIPTION	QT	BESCHREIBUNG	DESCRIPTION	DESCRIPCION	DESCRIZIONE
	GR39027-85A	SQUEEGEE UNIT		SAUGFUßGRUPPE	GRUPE SUCEUR	GRUPO ESCURRESUELOS	GRUPPO SQUEEGEE
1	SL39141	BLADE HOLDER	1	LIPPENHALTER	FIXE-LAME	DISPOSITIVO DE BLOQUEO HOJA	BLOCCA LAMA
2	SL39142	BLADE HOLDER	1	LIPPENHALTER	FIXE LAME	DISPOSITIVO DE BLOQUEO HOJA	BLOCCA LAMA
3	SL03563	BLADE	1	GUMMILIPPE	LAME	HOJA	LAMA POSTERIORE
4	SL13103	SPRING	2	FEDER	RESSORT	RESORTE	MOLLA
5	SL06041	WASHER	4	SCHEIBE	RONDELLE	ARANDELA	RONDELLA
6	SL08058	WHEEL	2	RÄDCHEN	ROUE	RUEDA	RUOTINO REGOLAZIONE
7	SL07526	SPACER	2	DISTANZSTÜCK	ENTRETOISE	ESPESOR	DISTANZIALE
8	SL05074	NUT	8	MUTTER	ECROU	TUERCA	DADO
10	SL06022	WASHER	16	SCHEIBE	RONDELLE	ARANDELA	RONDELLA
11	SL39033	SUPPORT	2	HALTERUNG	SUPPORT	SOPORTE	SUPPORTO RUOTINO REG.
12	SL05039	NUT	2	MUTTER	ECROU	TUERCA	DADO
13	SL04135	SCREW	4	SCHRAUBE	VIS	TORNILLO	VITE
14	SL04061	SCREW	2	SCHRAUBE	VIS	TORNILLO	VITE
15	SL20060	HANDLE	2	KNAUF	POIGNEE	PERILLA	POMOLO
16	SL39136	BODY	1	KÖRPER	CORPS	CUERPO	CORPO SQUEEGEE
17	SL03564	BLADE	1	GUMMILIPPE	LAME	HOJA	LAMA ANTERIORE
18	SL39144	BLADE HOLDER	1	LIPPENHALTER	FIXE-LAME	DISPOSITIVO DE BLOQUEO HOJA	BLOCCA LAMA
19	SL20058	HANDLE	10	KNAUF	POIGNEE	PERILLA	POMOLO
21	SL17608	BUSHING/BUSH	2	BUCHSE	DOUILLE	CASQUILLO/FORRO	BOCCOLA
22	SL07065	SPACER	2	DISTANZSTÜCK	ENTRETOISE	ESPESOR	DISTANZIALE
23	SL08040	WHEEL	2	RÄDCHEN	ROUE	RUEDA	RUOTINO ANTIURTO
24	SL04098	SCREW	2	SCHRAUBE	VIS	TORNILLO	VITE
26	SL39140	LEFT EXTENSION	1	VERLÄNGERUNG	RALLONGE	EXTENSION IZQUIERDA	PROLUNGA SINISTRA
27	SL39139	RIGHT EXTENSION	1	VERLÄNGERUNG	RALLONGE	EXTENSION DERECHA	PROLUNGA DESTRA
28	SL39143	SUPPORT	2	HALTERUNG	SUPPORT	SOPORTE	SUPPORTO

DESCRIPTION: SQUEEGEE SUPPORT SAUGFUßHALTERUNG SUPPORT SUCEUR SOPORTE ESCURESUELOS SUPPORTO SQUEEGEE



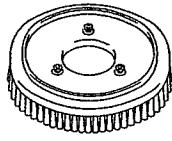
REF	CODE	DESCRIPTION	QT	BESCHREIBUNG	DESCRIPTION	DESCRIPCION	DESCRIZIONE
1	SL04197	SCREW	2	SCHRAUBE	VIS	TORNILLO	VITE
2	SL04229	SCREW	1	SCHRAUBE	VIS	TORNILLO	VITE
3	SL39071	ARM	1	ARM	BRAS	BRAZO	BRACCIO
4	SL07427	BUSHING / BUSH	1	BUCHSE	DOUILLE	CASQUILLO / FORRO	BOCCOLA
5	SL06062	WASHER	1	UNTERLEGSCHIBE	RONDELLE	ARANDELA	RONDELLA
6	SL06041	WASHER	3	UNTERLEGSCHIBE	RONDELLE	ARANDELA	RONDELLA
7	SL04127	SCREW	1	SCHRAUBE	VIS	TORNILLO	VITE
8	SL05078	NUT	2	MUTTER	ECROU	TUERCA	DADO
10	SL06019	WASHER	2	UNTERLEGSCHIBE	RONDELLE	ARANDELA	RONDELLA
11	SL23200	MICROSWITCH	1	MIKROSCHALTER	MICRO-INTERRUPTEUR	MICROINTERRUPTOR	MICROINTERRUTTORE
12	SL04079	SCREW	1	SCHRAUBE	VIS	TORNILLO	VITE
13	SL06084	WASHER	1	UNTERLEGSCHIBE	RONDELLE	ARANDELA	RONDELLA
14	SL39099	BRACKET	1	BÜGEL	ETRIER	ESTRIBO	STAFFA
15	SL11126	SCREW	1	SCHRAUBE	VIS	TORNILLO	VITE
18	SL05039	NUT	3	MUTTER	ECROU	TUERCA	DADO
19	SL06025	WASHER	2	UNTERLEGSCHIBE	RONDELLE	ARANDELA	RONDELLA
20	SL20007	KNOB (o HANDWHEEL)	1	KNAUF	VOLANT A MAIN	BOTON ESFERICO (o VOLANTE)	POMOLO
21	SL39036	LEVER	1	HEBEL	LEVIER	PALANCA	LEVA
22	SL14248	CABLE	1	KABE	CABLE	CABLE	CAVO
23	SL06107	WASHER	2	UNTERLEGSCHIBE	RONDELLE	ARANDELA	RONDELLA

CODE:

pl1435 aa SN from 01B100

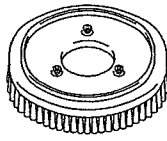
DESCRIPTION: BRUSHES #410 BURSTEN #410 BROSSES #410 CEPILLOS #410 SPAZZOLE #410

POLYPROPYLENE- NYLON - NYLON
NYLON - NYLON



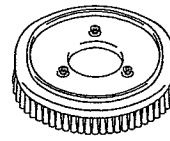
2

POLYSHING - POLIERBURSTERN
SORGHÖ - FIBRA - BASSINA

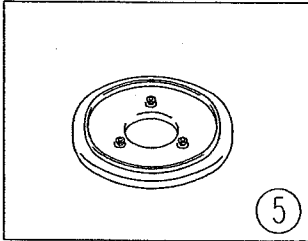


3

TYNEX - TYNEX - TYNEX
TYNEX - TYNEX

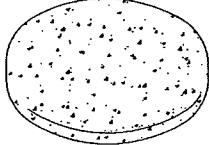


4



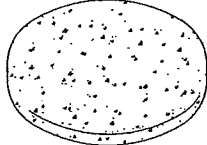
5

BLACK - SCHWARZ - NOIR
PAD - NERO



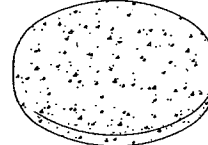
6

GREEN - GRUEN- VERT
VERDE - VERDE



7

YELLOW - GELB - JEUNE
AMARILLO - GIALLO



8

REF.	CODE	DESCRIPTION	QT	BESCHREIBUNG	DESCRIPTION	DESCRIPCION	DESCRIZIONE
2	AL03801	POLYPROPYLENE BRUSH		NYLON BURSTEN	BROSSES NYLON	CEPILLOS NYLON	SPAZZOLA NYLON
3	AL03804	POLYSHING BRUSH		POLIERBURSTERN	BROSSES SORGHÖ	CEPILLOS FIBRA	SPAZZOLA BASSINA
4	AL03803	TYNEX BRUSHES		TYNEX BURSTERN	BROSSES TYNEX	CEPILLOS TYNEX	SPAZZOLA TYNEX
5	AL03802	PAD DRIVER		TREIBTELLERS	PLATEAUX PORTE DISQUE	PLATOS DE ARRASTER	DISCO TRASCINATORE
6	AL02262	STRIPPING PAD(BLACK)		SCHLEIFSCHLEIBEN(SCHWARZ)	DISQUES ABRASIFS(NOIR)	DISCO ABRASIVOS(PAD)	DISCO ABRASIVO(NERO)
7	AL02261	STRIPPING PAD(GREEN)		SCHLEIFSCHLEIBEN(GRUEN)	DISQUES ABRASIFS(VERT)	DISCO ABRASIVOS(VERDE)	DISCO ABRASIVO(VERDE)
8	AL02260	STRIPPING PAD(YELLOW)		SCHLEIFSCHLEIBEN(GELB)	DISQUES ABRASIFS(JEUNE)	DISCO ABRASIVOS(AMARILLO)	DISCO ABRASIVO(GIALLO)

CODE:

EPF02381BC-1 ad SN from 01K374

DESCRIPTION:

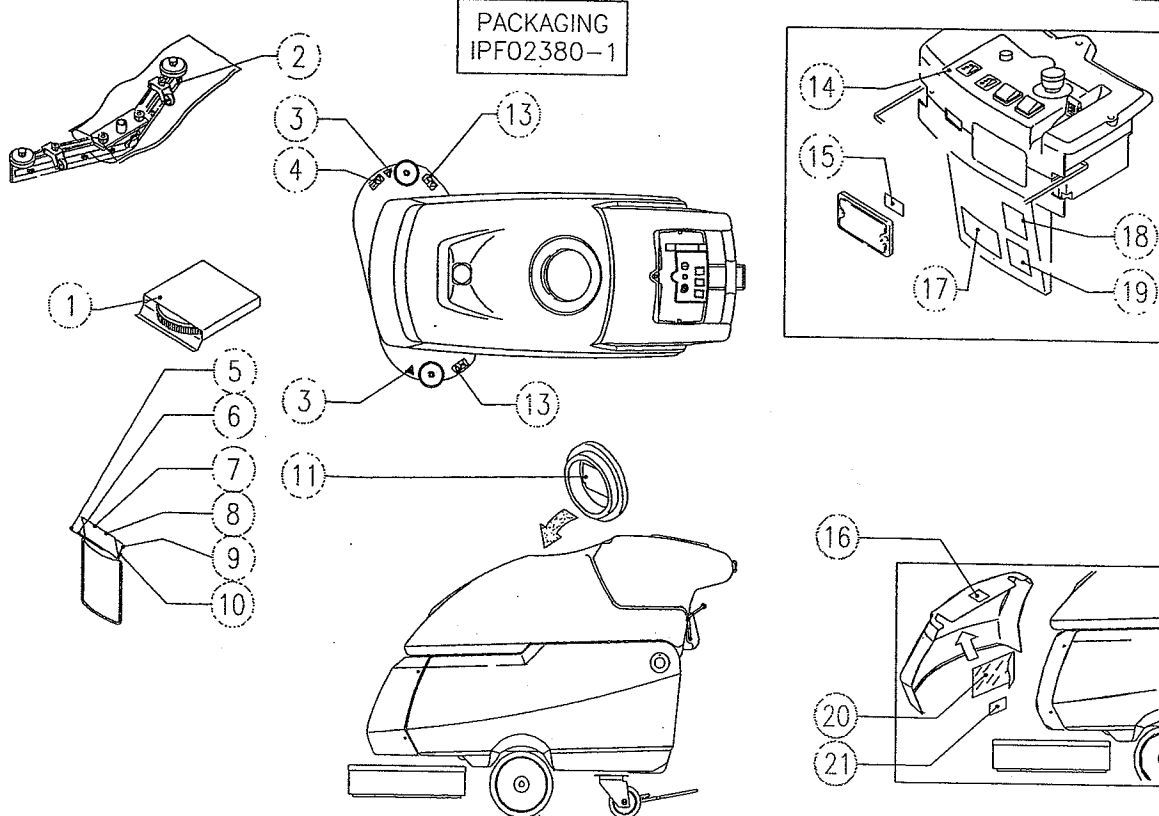
LABELS

ETIKETTE

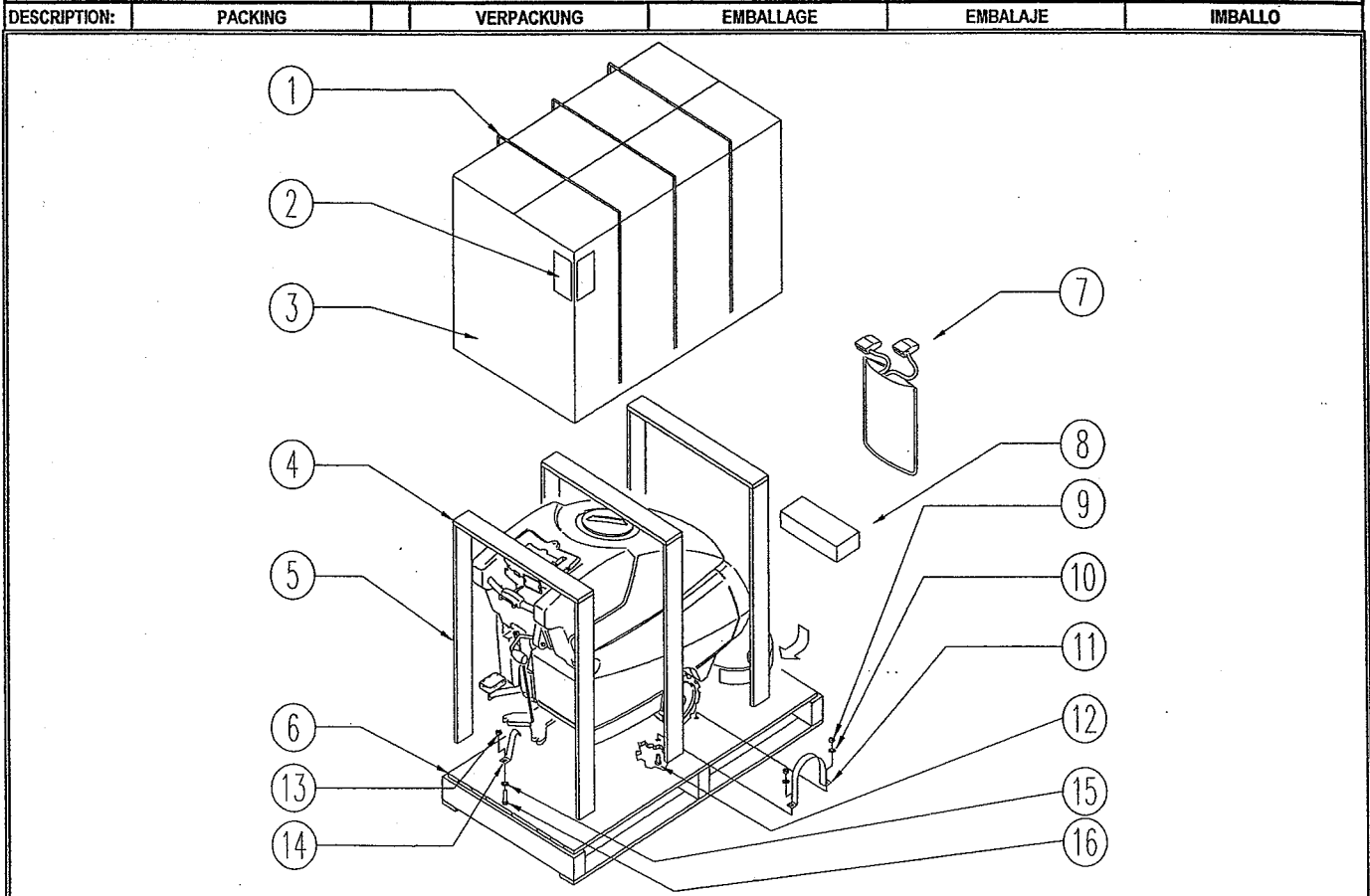
ETIQUETTES

ETIQUETAS

ETICHETTE



REF.	CODE	DESCRIPTION	QT	BESCHREIBUNG	DESCRIPTION	DESCRIPCION	DESCRIZIONE
1	AL03902	PAD DRIVER	2	TREIBTELLERS	PLATEAUX PORTE DISQUE	PLATOS DE ARRASTER	DISCO TRASCINATORE
2	GR39027-85A	SQUEEGEE	1	SQUEEGEE	SQUEEGEE	SQUEEGEE	SQUEEGEE
3	SL25364	LABEL	2	ETIKETT	ETIQUETTE	ETIQUETA	ADESIVO
4	SL25365	LABEL	1	ETIKETT	ETIQUETTE	ETIQUETA	ADESIVO
5	SL25968BC-1	OPERATOR'S MANUAL	1	BEDIENUNGSANLEITUNG	MANUEL D'INSTRUCTIONS	MANUAL DE INSTRUCCIONES	MANUALE USO
6	SL25984BC2	SPARE PARTS	1	ERSATZTEILE	PIECES DE RECHANGE	PIEZAS DE REPUESTO	MANUALI RICAMBI
7	SL25401-2	LABEL - DOCUMENT	1	ETIKETT - DOKUMENTATION	ETIQUETTE - DOCUMENTATION	ETIQUETA - DOCUMENTACION	ETICHETTA - DOCUMENTAZIONE
8	SL25401-3	LABEL - DOCUMENT	1	ETIKETT - DOKUMENTATION	ETIQUETTE - DOCUMENTATION	ETIQUETA - DOCUMENTACION	ETICHETTA - DOCUMENTAZIONE
9	SL25401-8	LABEL - DOCUMENT	1	ETIKETT - DOKUMENTATION	ETIQUETTE - DOCUMENTATION	ETIQUETA - DOCUMENTACION	ETICHETTA - DOCUMENTAZIONE
10	SL25303	DOCUMENT	1	DOKUMENTATION	DOCUMENTATION	DOCUMENTACION	DOCUMENTAZIONE
11	SL25056	LABEL	1	ETIKETT	ETIQUETTE	ETIQUETA	ADESIVO
13	SL25369	LABEL	2	ETIKETT	ETIQUETTE	ETIQUETA	ADESIVO
14	SL25887	LABEL	1	ETIKETT	ETIQUETTE	ETIQUETA	ADESIVO
15	SL25894	LABEL	1	ETIKETT	ETIQUETTE	ETIQUETA	ADESIVO
16	SL25187	LABEL	1	ETIKETT	ETIQUETTE	ETIQUETA	ADESIVO
17	SL25401-6	LABEL - DOCUMENT	1	ETIKETT - DOKUMENTATION	ETIQUETTE - DOCUMENTATION	ETIQUETA - DOCUMENTACION	ETICHETTA - DOCUMENTAZIONE
18	SL25177	LABEL	1	ETIKETT	ETIQUETTE	ETIQUETA	ADESIVO
19	SL25053	LABEL	1	ETIKETT	ETIQUETTE	ETIQUETA	ADESIVO
20	GR27195	ELEC. DIAGRAM ENVELOPE	1	SCHALPLAN BEUTEL	ENVELOPPE SCHEMA ELECTRIQUE	SOBRE ESQUEMA ELECTRICO	BUSTA SCHEMI ELETTRICI
21	SL25995	LABEL	1	ETIKETT	ETIQUETTE	ETIQUETA	ADESIVO



REF	CODE	DESCRIPTION	QT	BESCHREIBUNG	DESCRIPTION	DESCRIPCION	DESCRIZIONE
1	MP14300	STRAP	3	BANDEISEN	BANDE DE FER	FLEJE	REGGETTA
2	SL25401-1	LABEL	2	ETIKETT	ETIQUETTE	ETIQUETA	ETICHETTA IMBALLO
3	SL26089N	CARDBOARD	1	KARTON	CARTON	CARTON	CARTONE
4	SL26107	LATH / SPLINE	3	LEISTE	LATTE EN BOIS	LISTEL / FILETE	LISTELLO
5	SL26122	LATH / SPLINE	6	LEISTE	LATTE EN BOIS	LISTEL / FILETE	LISTELLO
6	SL26108	PALLET	1	PALETTE	PALETTE	PALETA / PALLET	PALLET
7	SL23838	BRIDGE / JUMPER	3	BRÜCKE	PONT	PUENTE	PONTE
8	SL26137	LATH / SPLINE	1	LEISTE	LATTE EN BOIS	LISTEL / FILETE	LISTELLO
9	SL05001	NUT	4	MUTTER	ECROU	TUERCA	DADO
10	SL06087	WASHER	4	UNTERLEGSCHIBE	RONDELLE	ARANDELA	RONDELLA
11	SL39120	BRACKET	2	BÜGEL	ETRIER	ESTRIBO	STAFFA
12	SL04001	SCREW	4	SCHRAUBE	VIS	TORNILLO	VITE
13	SL05039	NUT	1	MUTTER	ECROU	TUERCA	DADO
14	SL39198	BRACKET	1	BÜGEL	ETRIER	ESTRIBO	STAFFA
15	SL06086	WASHER	1	UNTERLEGSCHIBE	RONDELLE	ARANDELA	RONDELLA
16	SL04200	SCREW	1	SCHRAUBE	VIS	TORNILLO	VITE

CODE:

wd27195 ac SN from 02C80

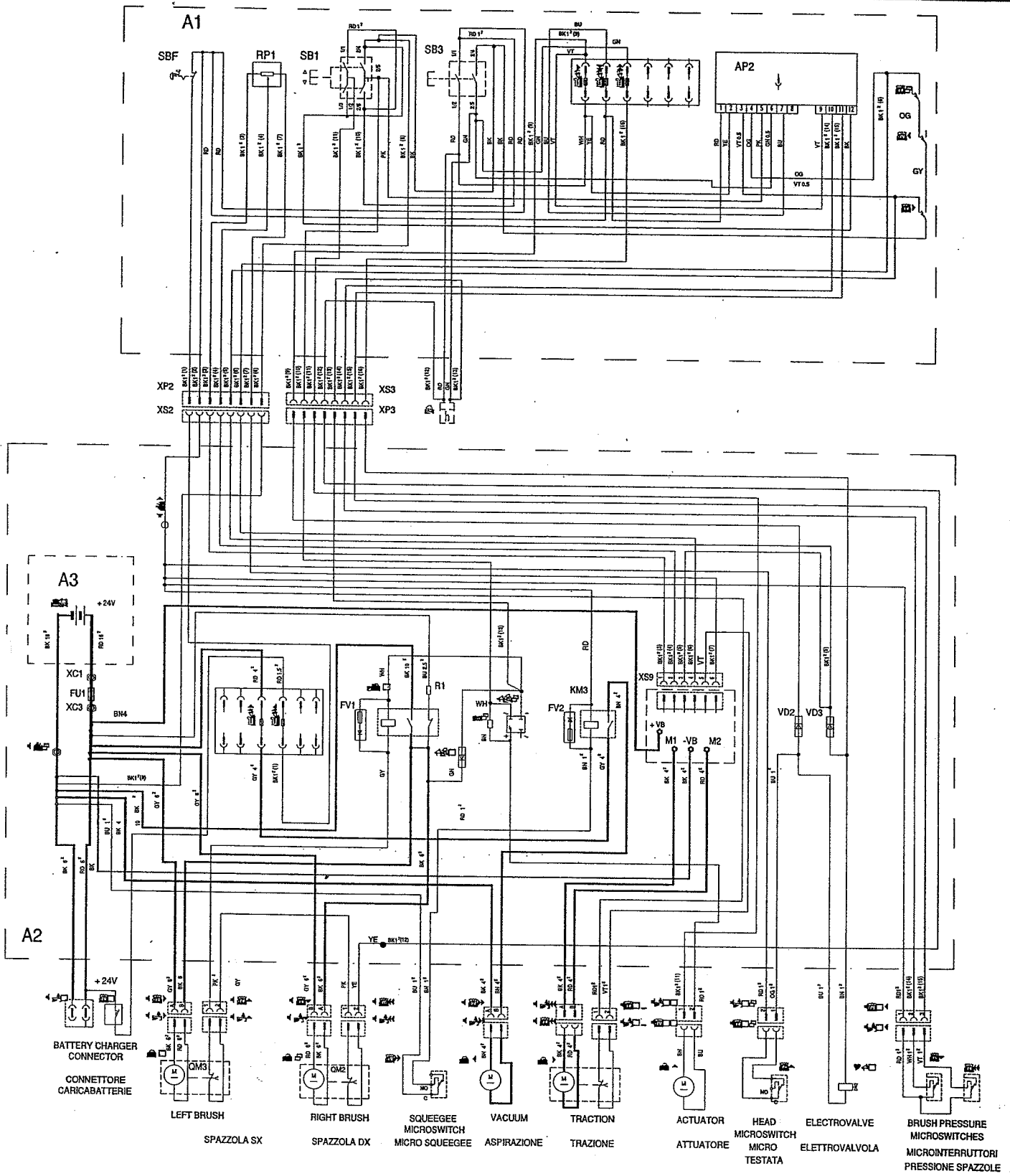
DESCRIPTION: ELEC. WIRING DIAGRAM

SCHALTPLAN

SCHEMA ELECTRIQUE

ESQUEMA ELECTRICO

SCHEMA ELETTRICO



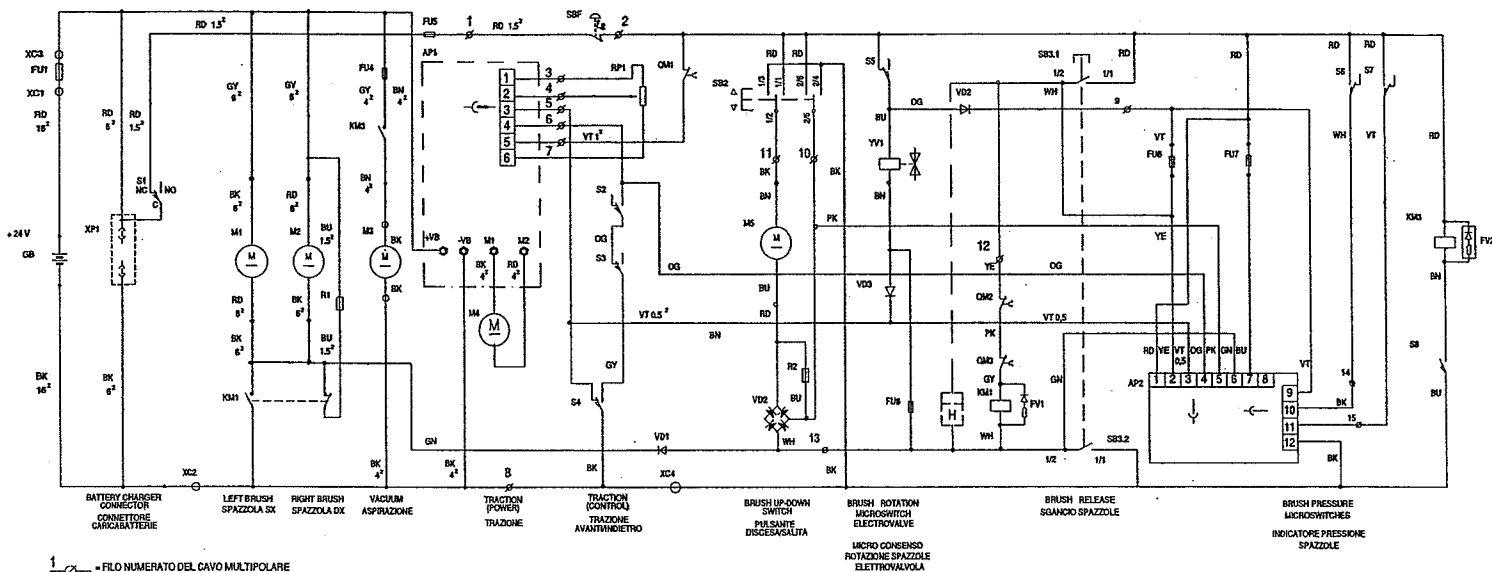
LEGEND WDL27195----->

ZEICHENERKLARUNG WDL27195-->

LEGENDE WDL27195----->

LEYENDA WDL27195----->

LEGENDA WDL27195----->



1 - FLO NUMERATO DEL CAVO MULTIPOLARE

REF	CODE	DESCRIPTION	QT	BESCHREIBUNG	DESCRIPTION	DESCRIPCION	DESCRIZIONE
AP1	SL23729	GEARCASE / BOARD		ZENTRALE / KARTE	FICHE DE CONTROLE	CENTRALITA / TARJETA	CENTRALINA TRAZIONE
AP2	SL23738	GEARCASE / BOARD		ZENTRALE / KARTE	FICHE DE CONTROLE	CENTRALITA / TARJETA	SCHEDA LED
FU1	SL23740	FUSE		SICHERUNG	FUSE	FUSIBLE	FUSIBILE GENERALE 125A
FU4	SL23148	FUSE		SICHERUNG	FUSE	FUSIBLE	FUSIBILE 30A
FU5	SL23650	FUSE		SICHERUNG	FUSE	FUSIBLE	FUSIBILE 10A
FV1	SL23758-1	DIODE		DIODE	DIODE	DIODO	DIODO (SOPPRESSORE)
FV2	SL23758-1	DIODE		DIODE	DIODE	DIODO	DIODO (SOPPRESSORE)
GB		BATTERY		BATTERIE	BATTERIE	BATERIA	BATTERIA
H	SL23984J	HOUR METER (OPTIONAL)		STUNDENZÄHLER (ZUBEHÖR)	COMPTE-HEURES (OPTION)	CUENTAHORAS (OPCIONAL)	CONTAORE (ACCESSORIO)
HL1	SL23031	INDICATOR		ANZEIGER	INDICATEUR	INDICADOR	INDICATORE
KM1	SL23735	REMOTE CONTROL SWITCH		FERNSCHALTER	TELE-INTERRUPTEUR	TELERUPTOR	TELERUTTORE
KM3	SL23001	RELAY		RELAIS	RELAIS	RELE / RELAIS	RELE / RELAIS
M1	SL02251	MOTOR		MOTOR	MOTEUR	MOTOR	MOTORE SPAZZOLE SX
M2	SL02251	MOTOR		MOTOR	MOTEUR	MOTOR	MOTORE SPAZZOLE DX
M3	SL02303-J	MOTOR		MOTOR	MOTEUR	MOTOR	MOTORE ASPRAZIONE
M4	SL02250	MOTOR		MOTOR	MOTEUR	MOTOR	MOTORE TRAZIONE
M5	SL02204	MOTOR		MOTOR	MOTEUR	MOTOR	MOTORE ATTUATORE
QM1		THERMAL PROTECTION		THERMOSCHUTZ	PROTECTION THERMIQUE	PROTECCION TERMICA	TERMICO MOTORE TRAZIONE
QM2		THERMAL PROTECTION		THERMOSCHUTZ	PROTECTION THERMIQUE	PROTECCION TERMICA	TERMICO MOTORE SPAZZOLE SX
QM3		THERMAL PROTECTION		THERMOSCHUTZ	PROTECTION THERMIQUE	PROTECCION TERMICA	TERMICO MOTORE SPAZZOLE DX
R1	SL23397	RESISTANCE		WIDERSTAND	RESISTANCE	RESISTENCIA	RESISTENZA 1 Ohm
R2	SL23957	RESISTANCE		WIDERSTAND	RESISTANCE	RESISTENCIA	RESISTENZA 10 Ohm
RP1	SL23872	POTENTIOMETER		POTENTIOMETER	POTENTIOMETRE	POTENCIÓMETRO	POTENZIOMETRO
S1	SL23599-L	MICROSWITCH		MIKROSCHALTER	MICRO-INTERRUPTEUR	MICROINTERRUPTOR	MICRO CARICABATTERIE INSERITO
S2	SL23109	MICROSWITCH		MIKROSCHALTER	MICRO-INTERRUPTEUR	MICROINTERRUPTOR	MICROINTERRUTTORE MARCIA INDIETRO
S3	SL23109	MICROSWITCH		MIKROSCHALTER	MICRO-INTERRUPTEUR	MICROINTERRUPTOR	MICROINTERRUTTORE ANTISCHIACCIAMENTO
S4	SL23109	MICROSWITCH		MIKROSCHALTER	MICRO-INTERRUPTEUR	MICROINTERRUPTOR	MICROINTERRUTTORE MARCIA AVANTI
S5	SL23200	MICROSWITCH		MIKROSCHALTER	MICRO-INTERRUPTEUR	MICROINTERRUPTOR	MICROINTERRUTTORE AGGANCIO SPAZZOLF
S6	SL23599	MICROSWITCH		MIKROSCHALTER	MICRO-INTERRUPTEUR	MICROINTERRUPTOR	MICROINTERRUTTORE PRESSIONE 1
S7	SL23599	MICROSWITCH		MIKROSCHALTER	MICRO-INTERRUPTEUR	MICROINTERRUPTOR	MICROINTERRUTTORE PRESSIONE 2
S8	SL23200	MICROSWITCH		MIKROSCHALTER	MICRO-INTERRUPTEUR	MICROINTERRUPTOR	MICROINTERRUTTORE ASPRAZIONE
SB2	SL23649	PUSH-BUTTON		DRUCKKNOPF	POUSSOIR	PULSADOR	PULSANTE SALT/ADISCESA TESTATA
SB3	SL23708	PUSH-BUTTON		DRUCKKNOPF	POUSSOIR	PULSADOR	PULSANTE SGANCIO SPAZZOLE
SBF	SL23708	PUSH-BUTTON		DRUCKKNOPF	POUSSOIR	PULSADOR	PULSANTE EMERGENZA
VD1	SL23289	DIODE		DIODE	DIODE	DIODO	DIODO

VD2	SL23081	BRIDGE / JUMPER	BRÜCKE	PONT	PUENTE	PONTE A DIODI
VD3	SL23289	DIODE	DIODE	DIODE	DIODO	DIODO
XC1	SL23103	INSULATOR	ISOLIERER	ISOLATEUR	AISLADOR	SUPPORTO ISOLATO
XC2	SL23103	INSULATOR	ISOLIERER	ISOLATEUR	AISLADOR	SUPPORTO ISOLATO
	23103	INSULATOR	ISOLIERER	ISOLATEUR	AISLADOR	SUPPORTO ISOLATO
X	SL23010K	CONNECTOR	VERBINDER	CONNECTEUR	CONECTOR	CONNETTORE ROSSO 50A
XC4	SL23414	CLAMP	KLEMME	BORNE	BORNE / SUJETADOR	MORSETTO

