



Electronic Service Manuals

This electronic document is provided as a service to our customers. We do not create the contents of the information contained in this document. Should you have detailed questions pertaining to the information contained in this document, you may contact Michco, or the manufacturer which provided the original information in this electronic deliverable. Michco's only part in this electronic deliverable was the electronic assembly process. By providing this manual on line we are not guaranteeing parts availability.

You may contact Michco through the following methods:

Phone (517) 484-9312 or (800) 331-3339

2011 N. High St. -- Lansing, Michigan -- 48906

Fax: (517) 484-9836

Email: CustServe@Michco.com

Web site: www.Michco.Com

Parts Web site: www.FloorMachineParts.Com

Order Parts on Line at:

www.FloorMachineParts.Com

Directly to Parts & Service:

By Email: **Shop@Michco.com**

By Fax: (517) 702-2041

By Voice: Use numbers above.

Serving the Cleaning Industry Since 1922

Notice: All copyrighted material remains property of original owners, all trademarks are property of respective owners. Manuals are subject to Manufacturer's reproduction limitations. Originals or reproductions were provided by manufacturers through a request. We make no warranty as to the correctness of information provided in this document and you assume all risk. By placing these manuals on line we are not declaring our corporation to be an manufacturer authorized dealer or provider, please check our web site for authorized manufacturers we represent.

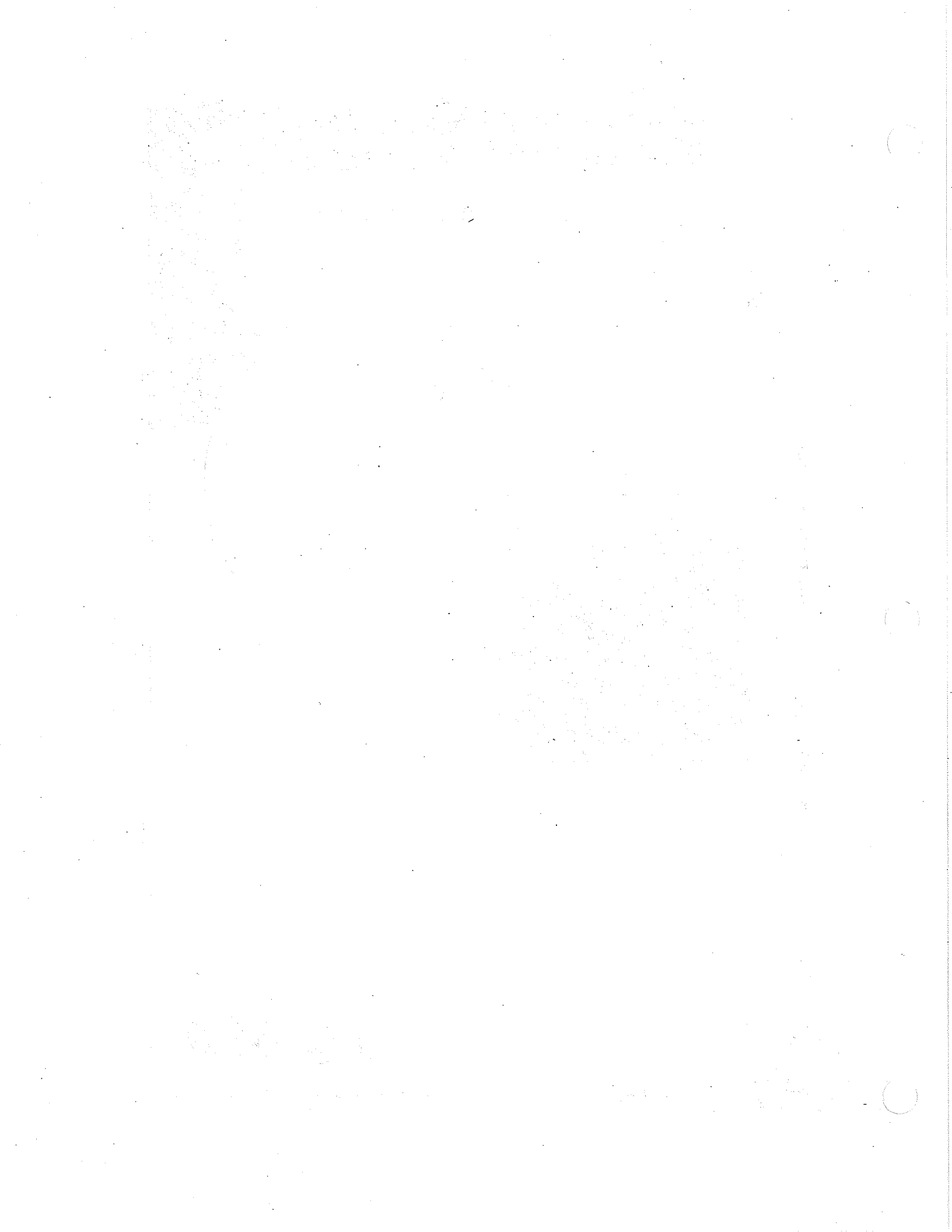
FS28 Foreman™ 28" Auto Scrubber

Parts Schematic

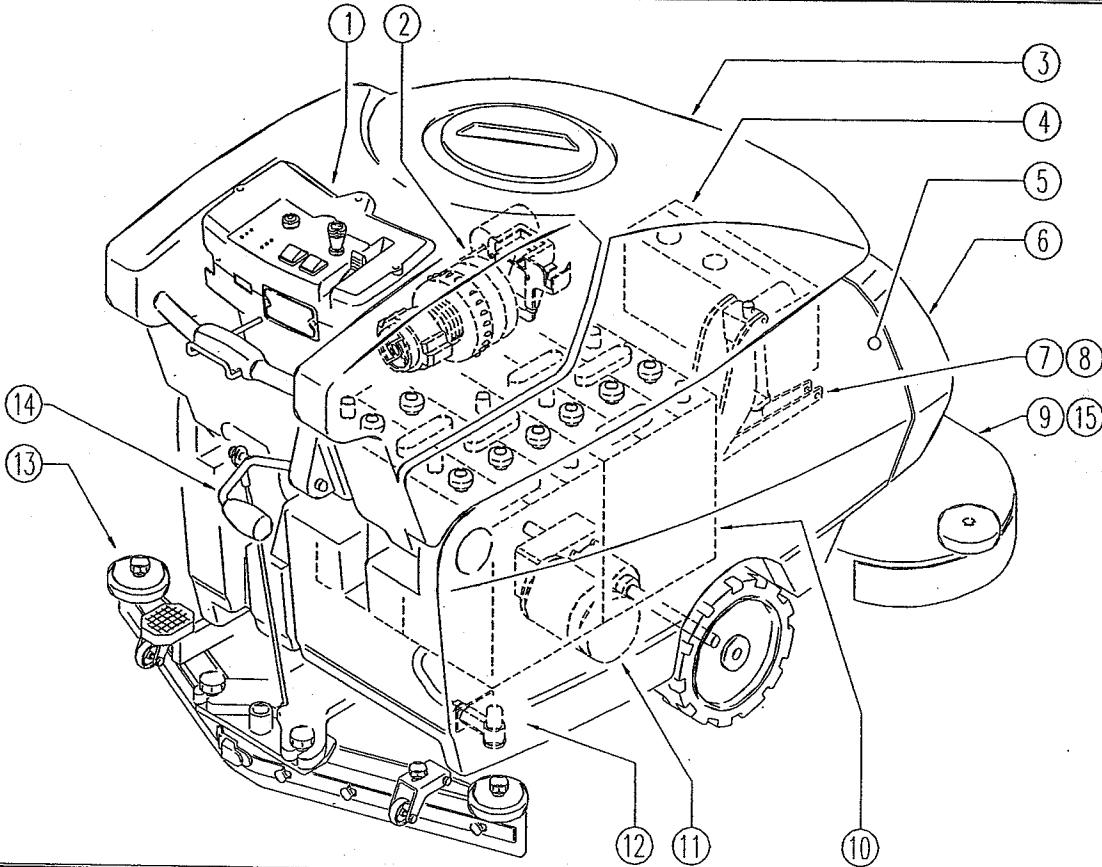
Item #86011



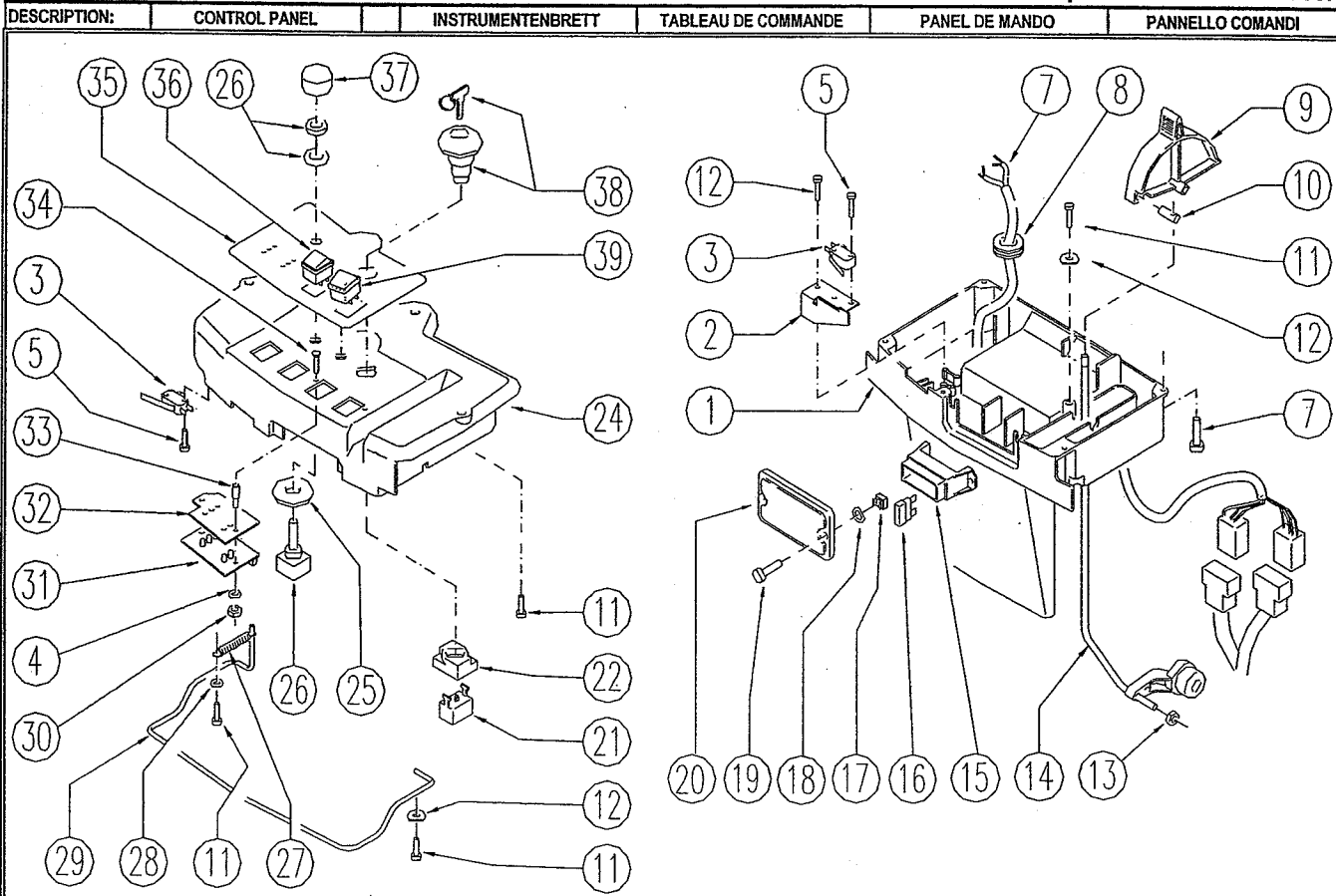
Better Resources. Better Results.
BETCO®



DESCRIPTION:

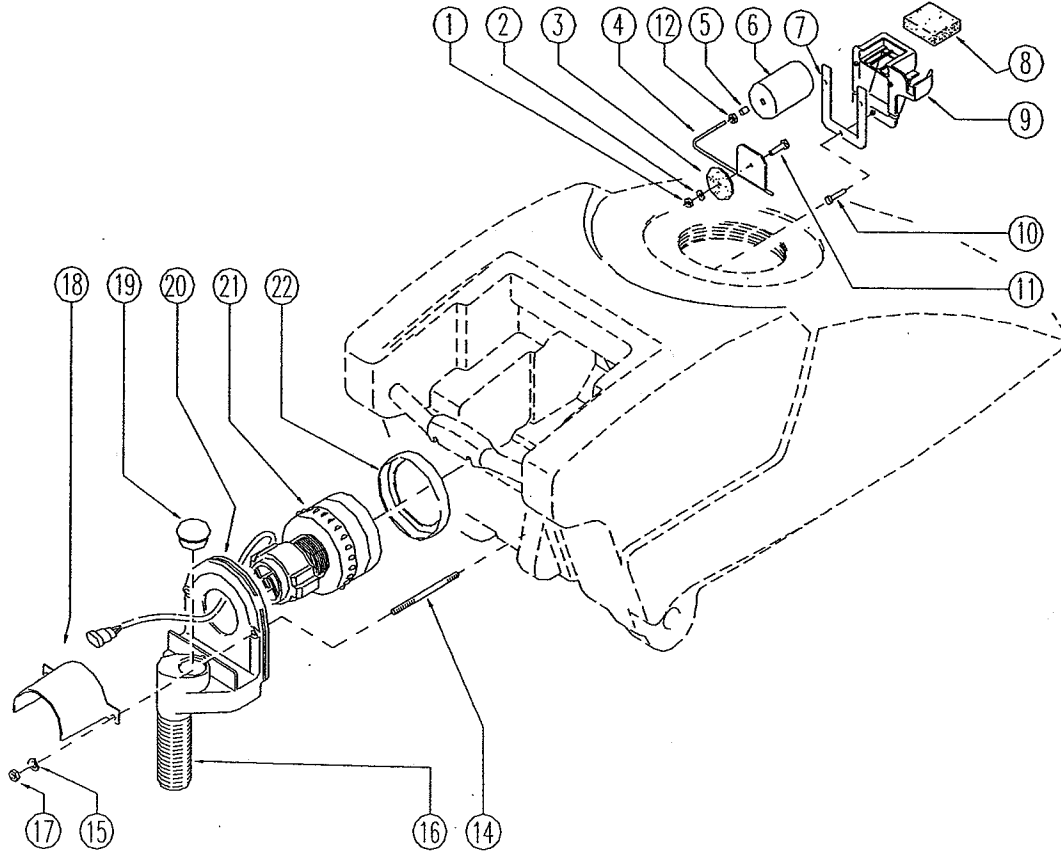


REF.	CODE	DESCRIPTION	QT	BESCHREIBUNG	DESCRIPTION	DESCRIPCION	DESCRIZIONE
1	PL1420	CONTROL PANEL		INSTRUMENTENBRETT	TABEAU DE COMMANDE	PANEL DE MANDO	PANNELLO COMANDI
2	PL1421	ASPIRATOR		SAUGER	ASPIRATEUR	ASPIRADOR	ASPIRATORE
3	PL1422	TANK		TANK	RESERVOIR	TANQUE	SERBATOI
4	PL1431	ELECTRIC UNIT		ELEKTRISCHE GRUPPE	GROUPE ELECTRIQUE	GRUPO ELECTRICO	COMPONENTI ELETTRICI
5	PL1423	TANK		TANK	RESERVOIR	TANQUE	SERBATOI
6	PL1433BC	EXTERNAL PARTS		EXTERNE TEILE	EXTERNES PARTIES	EXTERNAS PARTES	PARTI ESTERNE
7	PL1428	HEAD LIFT-1		KOPFHEBEVORRICHTUNG-1	SOULEVEMENT TETE-1	LEVANTAMIENTO CABEZA-1	SOLLEVAMENTO TESTATA-1
8	PL1429	HEAD LIFT-2		KOPFHEBEVORRICHTUNG-2	SOULEVEMENT TETE-2	LEVANTAMIENTO CABEZA-2	SOLLEVAMENTO TESTATA-2
9	PL1425	HEAD 70		KOPF 70	TETE 70	CABEZA 70	TESTATA 70
10	PL1432	BATTERY		BATTERIE	BATERIE	BATERIA	BATTERIE E CABLAGGI
11	PL1424	DRIVE - BRAKE		ANTRIEB - BREMSE	TRACCION - FREIN	TRACCION - FRENO	TRAZIONE - FRENI
12	PL1427	HYDRAULIC UNIT		HYDRAULISCHE GRUPPE	GROUPE HYDRAULIQUE	GRUPO HIDRAULICO	IDRAULICO
13	PL1452	SQUEEGEE		SAUGFUß	SUCEUR	ESCURRESUELOS	SQUEEGEE
14	PL1430	SQUEEGEE LIFT		SAUGFUßHEBEVORRICHTUNG	SOULEVEMENT SUCEUR	LEVANTAMIENTO ESCURRESUELOS	SOLLEVAMENTO SQUEEGEE
15	PL1434	BRUSHES		BÜRSTE	BROSSE	CEPILLO	SPAZZOLE
	EPF02380BC	LABELS - DOCUMENTS		ETIKETT - DOKUMENTATION	ETIQUETTE - DOCUMENTATION	ETIQUETA - DOCUMENTACION	ETICHETTE - DOCUMENTAZIONE
	IPF02380-1	PACKING		VERPACKUNG	EMBALLAGE	EMBALAJE	IMBALLO
	WD27195	WIRING DIAGRAM		SCHALTPLAN	SCHEMA ELECTRIQUE	ESQUEMA ELECTRICO	SCHEMA ELETTRICO
	WD27195-1	ELEC. SCHEMATIC DIAGRAM		SCHALTPLAN	SCHEMA ELECTRIQUE	ESQUEMA ELECTRICO	SCHEMA ELETT. FUNZIONALE



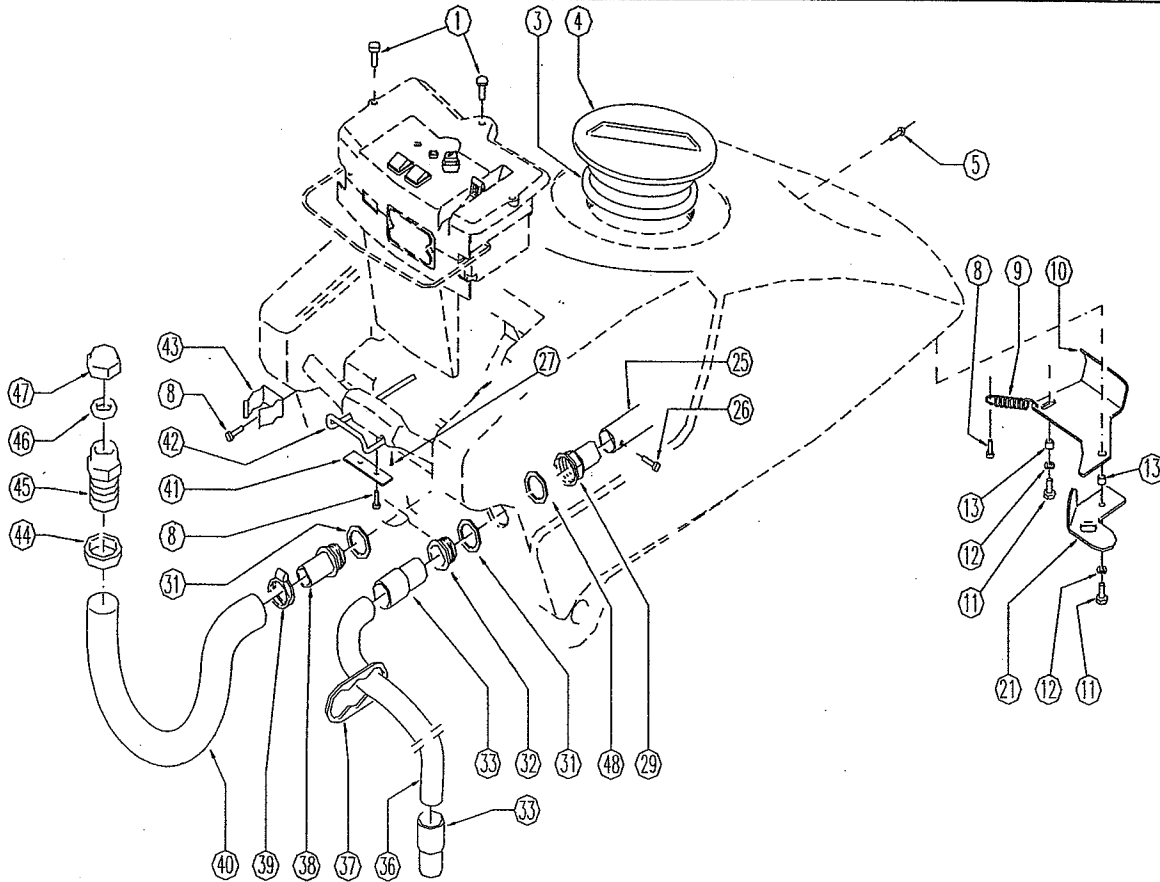
REF.	CODE	DESCRIPTION	QT	BESCHREIBUNG	DESCRIPTION	DESCRIPCION	DESCRIZIONE
	GR23741	PREASSEMBLED CTRL PANEL	1	INSTRUMENTENBRETT GRUPPE	GRUPE TABLEAU DE COMMANDE	CONJUNTO PANEL DE MANDO	PANN. COM. PREASSEMBLATO
1	SL17489-1L	CONTROL PANEL	1	INSTRUMENTENBRETT	TABLEAU DE COMMANDE	PANEL DE MANDO	PANNELLO COMANDI
2	SL39083	SPRING	1	FEDER	RESSORT	RESORTE	MOLLA
3	SL23718	MICROSWITCH	3	MIKROSCHALTER	MICRO-INTERRUPTEUR	MICROINTERRUPTOR	MICROINTERRUTTORE
4	SL06056	WASHER	2	UNTERLEGSCHIBE	RONDELLE	ARANDELA	RONDELLA
5	SL04214	SCREW	6	SCHRAUBE	VIS	TORNILLO	VITE
6	SL04187	SCREW	6	SCHRAUBE	VIS	TORNILLO	VITE
7	SL23741	WIRING	1	KABELDURCHFÜHRUNG	CABLAGE	CABLEO	CABLAGGIO P. COMANDI
8	SL23695	FAIRLEAD	1	KABELDURCHFÜHRUNG	PASSE-CABLE	GUJACABOS	PASSACAVALO
9	SL17490-1	LEVER	1	HEBEL	LEVIER	PALANCA	LEVA
10	SL09908	ARTICULATION	1	GELENK	JOINT	ARTICULACION	SNODO
11	SL04327	SCREW	4	SCHRAUBE	VIS	TORNILLO	VITE
12	SL06014	WASHER	2	UNTERLEGSCHIBE	RONDELLE	ARANDELA	RONDELLA
14	SL39114	ROD	1	STANGE	TIGE	VARILLA	ASTA
13	SL06058	NUT	1	MUTTER	ECROU	TUERCA	DADO
15	SL23894-1	FUSE HOLDER	1	ABSCHMELSSSTREIFENKASTEN	PORTE FUSIBLES	PORTAFUSIBLES	PORTA FUSIBILI
16	SL23144	FUSE	3	SICHERUNG	FUSIBLE	FUSIBLE	FUSIBILE EA
17	SL05077	NUT	2	MUTTER	ECROU	TUERCA	DADO
18	SL03116	GASKET	4	DICHTUNG	JOINT	EMPAGUETADURA	GUARNIZIONE
19	SL04377	SCREW	2	SCHRAUBE	VIS	TORNILLO	VITE
20	SL17149-1	LID	1	DECKEL	COUVERCLE	TAPA	COPERCHIO
21	SL23956	CONNECTION	1	KONTAKT	CONTACT	CONEXION	CONTATTO
22	SL23955	BASE	1	UNTERLAGE	BASE	BASE	BASE
24	SL17488-1L	CONTROL PANEL	1	INSTRUMENTENBRETT	TABLEAU DE COMMANDE	CUADRO DE MANDO	PANNELLO COMANDI
25	SL06011	WASHER	2	UNTERLEGSCHIBE	RONDELLE	ARANDELA	RONDELLA
26	SL23872	POTENTIOMETER	1	POTENTIOMETER	POTENTIOMETRE	POTENCIOMETRO	POTENZIOMETRO
27	SL13090	SPRING	1	FEDER	RESSORT	RESORTE	MOLLA
28	SL06019	WASHER	1	UNTERLEGSCHIBE	RONDELLE	ARANDELA	RONDELLA
29	SL39059	LEVER	1	HEBEL	LEVIER	PALANCA	LEVA
30	SL05019	NUT	2	MUTTER	ECROU	TUERCA	DADO
31	SL23738	BOARD	1	KARTE	FICHE	TARJETA	SCHEDA
32	SL03554	PLAQUE	1	PLÄTTCHEN	PLATINE	PLACA	PIASTRINA
33	SL07534	SPACER	2	DISTANZSTÜCK	ENTRETOISE	SEPARADOR	DISTANZIALE
34	SL04384	SCREW	2	SCHRAUBE	VIS	TORNILLO	VITE
35	SL25887	CONTROL PANEL STICKER	1	SCHALT PUL TAUFKLEBER	ADHESIF PANNEAU	ETIQUETA ADHESIVA	ETICHETTA PANNELLO
36	SL23649	SWITCH	1	SCHALTER	INTERRUPTEUR	INTERRUPTOR	INTERRUTTORE
37	SL23821	HANDGRIP	1	KNOPF	POIGNEE	EMPUNADURA / BOTON	MANOPOLA
38	SL23954	OPERATOR	1	BEDIENER, FAHRER	OPERATEUR	OPERADOR	OPERATORE
39	SL23708	PUSH-BUTTON	1	DRUCKKNOPF	BOUTON	PULSADOR	PULSANTE

DESCRIPTION: SUCTION UNIT SAUGGRUPPE GROUPE ASPIRATION GRUPO DE ASPIRACIÓN ASPIRAZIONE



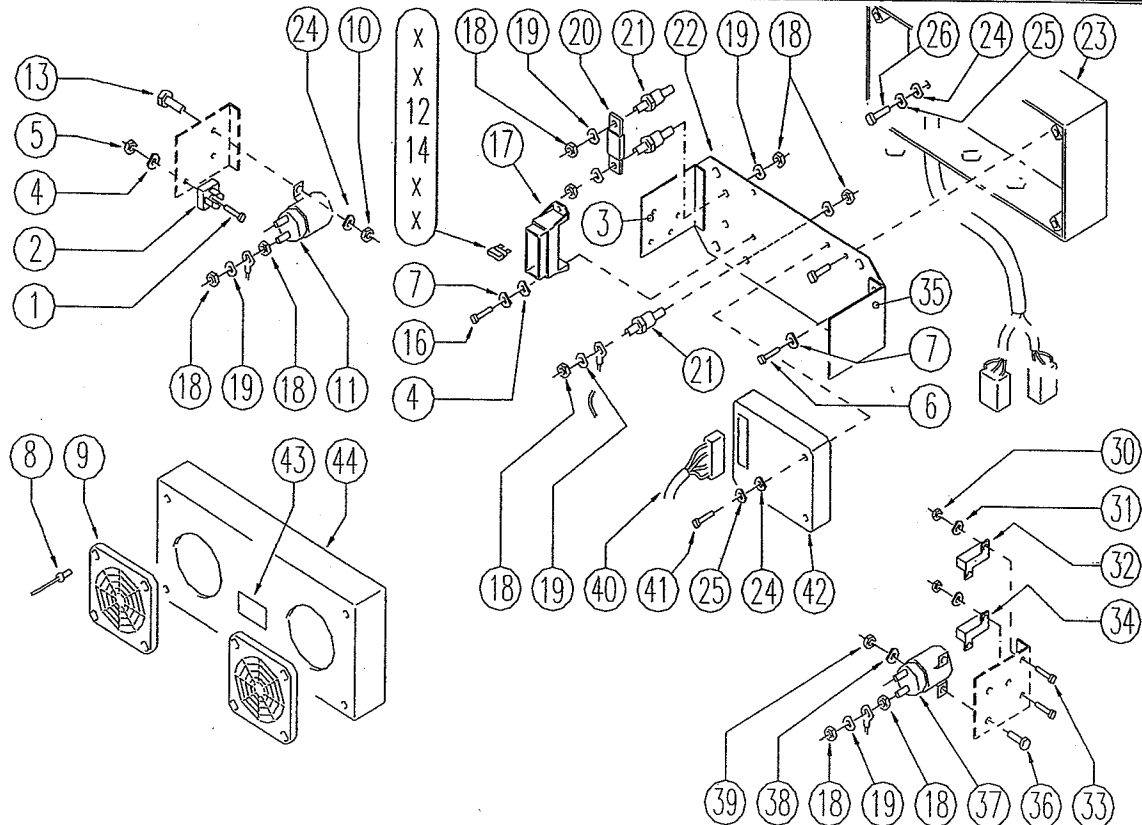
REF.	CODE	DESCRIPTION	QT	BESCHREIBUNG	DESCRIPTION	DESCRIPCION	DESCRIZIONE
1	SL05097	NUT	1	MUTTER	ECROU	TUERCA	DADO
2	SL06038	WASHER	1	UNTERLEGSCHIBE	RONDELLE	ARANDELA	RONDELLA
3	SL03346	GASKET	1	DICHTUNG	JOINT	EMPAQUETADURA	GUARNIZIONE
4	SL09827	ROD	1	STANGE	TIGE	VARILLA	ASTINA
5	SL04388	INSERT	1	EINSATZ	SEGMENT	ENCAJE	INSERTO
6	SL18393	FLOAT	1	SCHWIMMER	FLOTTEUR	FLOTADOR	GALLEGGIANTE
7	SL03429	GASKET	1	DICHTUNG	JOINT	EMPAQUETADURA	GUARNIZIONE
8	SL03345	FILTER	1	FILTER	FILTRE	FILTRO	FILTRO
9	SL17492-1	SUPPORT	1	HALTERUNG	SUPPORT	SOPORTE	SUPPORTO
10	SL04055	SCREW	3	SCHRAUBE	VIS	TORNILLO	VITE
11	SL04310	SCREW	1	SCHRAUBE	VIS	TORNILLO	VITE
12	SL05017	NUT	1	MUTTER	ECROU	TUERCA	DADO
14	SL04276	SCREW	2	SCHRAUBE	VIS	TORNILLO	BARRA FILETTATA
15	SL06022	WASHER	2	UNTERLEGSCHIBE	RONDELLE	ARANDELA	RONDELLA
16	SL19335	PIPE	1	ROHR	TUBE	TUBO	TUBO
17	SL05041	NUT	2	MUTTER	ECROU	TUERCA	DADO
18	SL03514	SUCTION CONVEYOR	1	SAUGFÖRDERER	CONVOYEUR ASPIRATION	TRANSPORTADOR SUCCION	CONVOGLIATORE
19	SL14240	CAP	1	STOPFEN VERSCHLUSS	BOUCHON	TAPON	TAPPO
20	SL03297	CAP / SHELL	1	SCHUTZGEHÄUSE	PROTECTEUR	GORRO / PROTECCION	CUFFIA
21	SL02303-J	EXHAUSTER / ASPIRATOR	1	SAUGER	ASPIRATEUR / SUCEUSE	ASPIRADOR	ASPIRATORE
22	SL03159	GASKET	1	DICHTUNG	JOINT	EMPAQUETADURA	GUARNIZIONE

DESCRIPTION:	TANK	TANK	RESERVOIR	TANQUE	SERBATOIO SUPERIORE
--------------	------	------	-----------	--------	---------------------



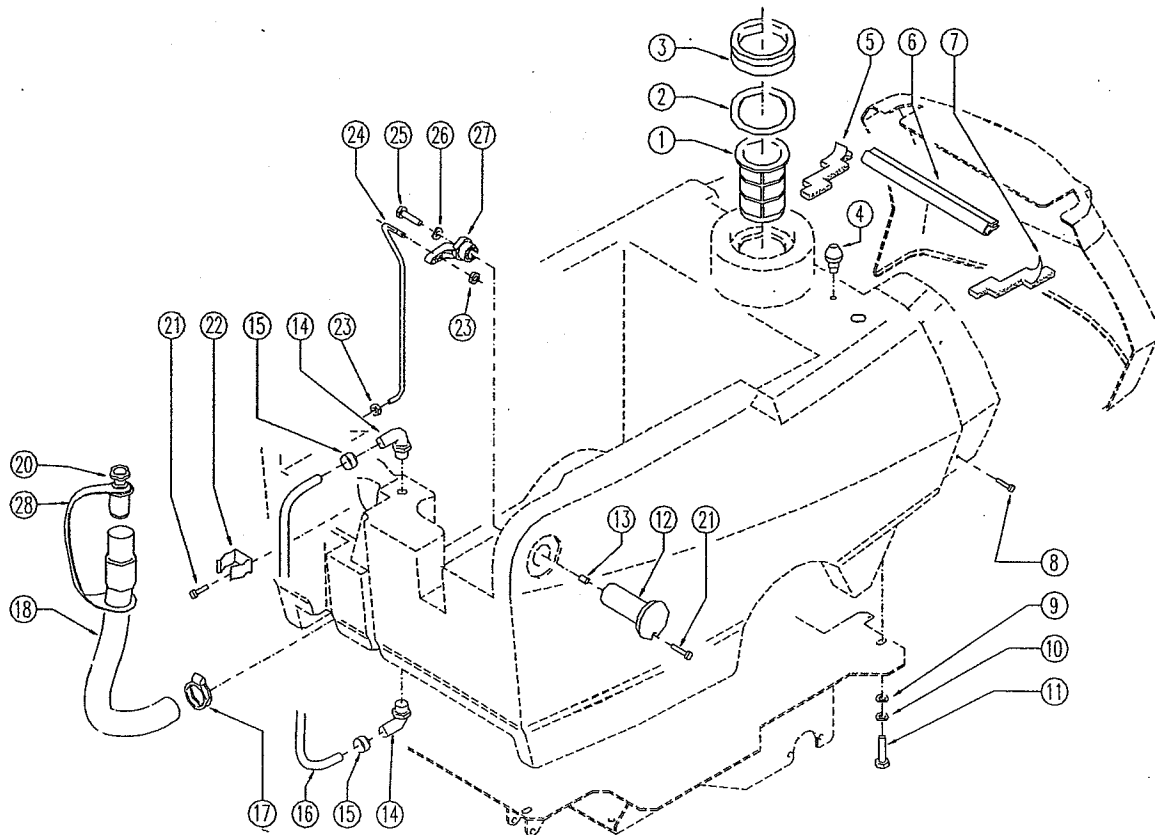
REF.	CODE	DESCRIPTION	QT	BESCHREIBUNG	DESCRIPTION	DESCRIPCION	DESCRIZIONE
1	SL04377	SCREW	3	SCHRAUBE	VIS	TORNILLO	VITE
3	SL03487	GASKET	1	DICHTUNG	JOINT	EMPAQUETADURA	GUARNIZIONE
4	SL17468	LID	1	DECKEL	COUVERCLE	TAPA	COPERCHIO
5	SL04311	SCREW	2	SCHRAUBE	VIS	TORNILLO	VITE
8	SL04371	SCREW	5	SCHRAUBE	VIS	TORNILLO	VITE
9	SL13090	SPRING	1	FEDER	RESSORT	RESORTE	MOLLA
10	SL39069	HOOKING / COUPLING	1	AUFHÄNGUNG	CROCHET	ENGANCHE / ACOPLAMIENTO	GANCIO COFANO
11	SL04269	SCREW	2	SCHRAUBE	VIS	TORNILLO	VITE
12	SL06041	WASHER	2	UNTERLEGSCHLEIBE	RONDELLE	ARANDELA	RONDELLA
13	SL07160	BUSHING / BUSH	2	BUCHSE	DOUILLE	CASQUILLO / PORRO	BOCCOLA
21	SL39109	PLAQUE	1	PLÄTTCHEN	PLATINE	PLACA	PIASTRA
25	SL07547	PIPE	1	ROHR	TUYAU	TUBO	TUBO
26	SL04325	SCREW	1	SCHRAUBE	VIS	TORNILLO	VITE
27	SL04319	SCREW	1	SCHRAUBE	VIS	TORNILLO	VITE
29	SL18349	UNION/CONNECTOR	1	ANSCHLUSS	RACCORD	UNION/CONNECTOR	RACCORDO
31	SL03416	GASKET	2	DICHTUNG	JOINT	EMPAQUETADURA	GUARNIZIONE
32	SL18355	SUCTION OPENING	1	ÖFFNUNG	SUCEUR	ORIFICIO / ABERTURA	BOCCHETTA
33	SL14003	SLEEVE	2	MUFFE	MANCHON	MANGUITO	MANICOTTO
36	SL19021	HOSE	1	SCHLAUCH	TUYAU	TUBO	TUBO
37	SL03437	PLAQUE	1	PLÄTTCHEN	PLATINE	PLACA	PIASTRINA
38	SL18362	HOSE HOLDER	1	GUMMHALTER	PORTE-TUYAU	PORTA TUBO	RACCORDO
39	SL14354	CLAMP	1	SHELLE	BANDE	ABRAZADERA	FASCETTA
40	SL19089	HOSE	1	SCHLAUCH	TUYAU	TUBO FLEXIBLE	TUBO
41	SL39076	PLAQUE	1	PLÄTTCHEN	PLATINE	PLACA	PIASTRINA
42	GR39060	PUSH-BUTTON	1	DRUCKKNOPF, TASTE	BOUTON-POUSSOIR	PULSADOR	PULSANTE
43	SL13045	DUCT LOCK	1	SCHLAUCHHALTER	FIXE-TUYAU	BLOQUEO TUBO	FERMA-TUBO
44	SL07470	NUT	1	NUTMÜTTER	FRETTE	ANILLO	GHIERA
45	SL18377	UNION / CONNECTOR	1	ANSCHLUSS	RACCORD	UNION / CONECTOR	RACCORDO
46	SL03441	GASKET	1	DICHTUNG	JOINT	EMPAQUETADURA	GUARNIZIONE
47	MP18378	CAP	1	KAPPE	CALOTTE	CASQUETE	GALOTTA
48	SL03469	GASKET	1	DICHTUNG	JOINT	EMPAQUETADURA	GUARNIZIONE

DESCRIPTION: ELECTRICAL PARTS ELEKTRISCHE TELLE PARTS ELECTRIQUES PARTES ELECTRICAS PARTI ELETTRICHE



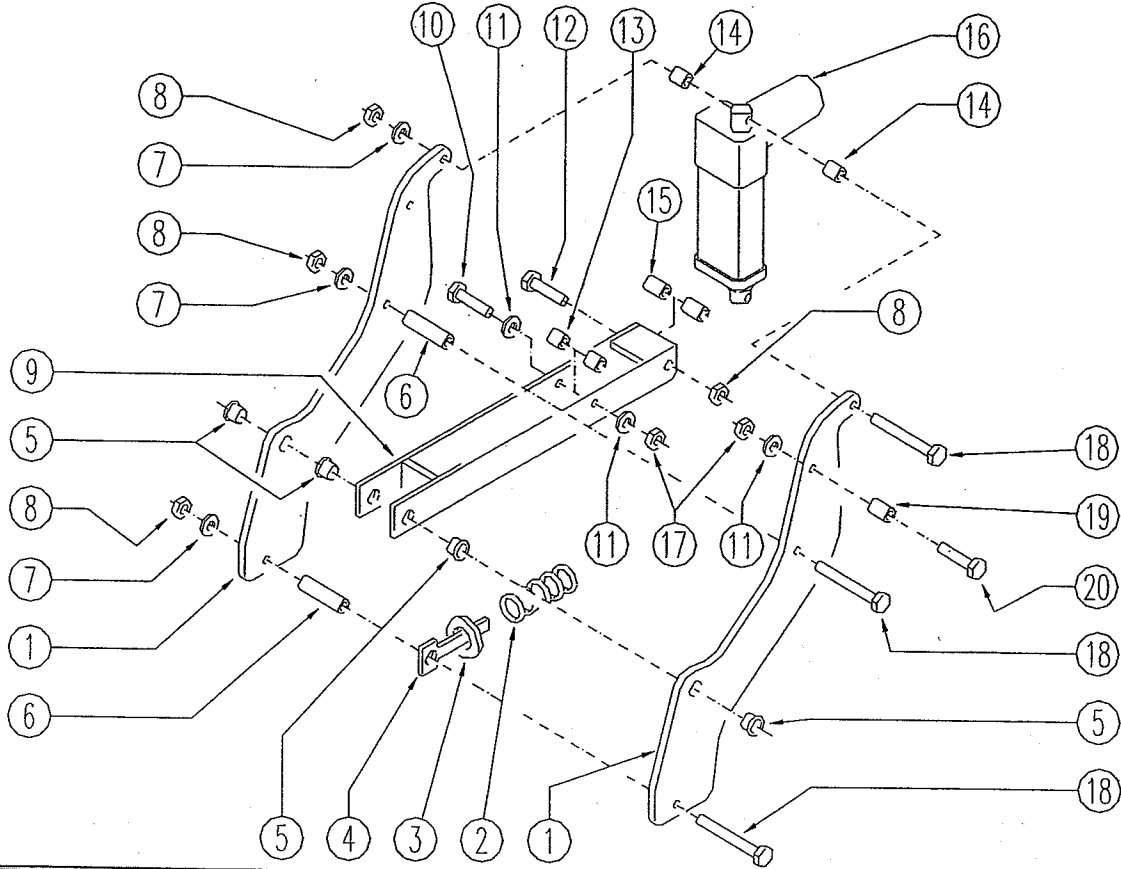
REF.	CODE	DESCRIPTION	QT	BESCHREIBUNG	DESCRIPTION	DESCRIPCION	DESCRIZIONE
1	SL04149	SCREW	1	SCHRAUBE	VIS	TORNILLO	VITE
2	SL23081	BRIDGE / JUMPER	1	BRÜCKE	PONT	PUENTE	PONTE
3	SL39082-1	BRACKET	1	BÜGEL	ETRIER	ESTRIBO	STAFFA PONTE DIODI
4	SL06019	WASHER	8	UNTERLEGSCHLEIBE	RONDELLE	ARANDELA	RONDELLA
5	SL05034	NUT	2	MUTTER	ECROU	TUERCA	DADO
6	SL04226	SCREW	4	SCHRAUBE	VIS	TORNILLO	VITE 4X10
7	SL06107	WASHER	4	UNTERLEGSCHLEIBE	RONDELLE	ARANDELA	RONDELLA GROWER 4
8	SL14039	RIVET	8	NIETE	RIVET	REMACHE	RIVETTO
9	SL03578	GRATING	2	GITTER	GRILLE	REJILLA	GRIGLIA
10	SL05043	NUT	2	MUTTER	ECROU	TUERCA	DADO
11	SL23001	REMOTE CONTROL SWITCH	1	FERNSCHALTER	TELE-INTERRUPTEUR	TELERRUPTOR	TELERUTTORE
12	SL23892	FUSE	1	SICHERUNG	FUSIBLE	FUSIBLE	FUSIBILE 40A
13	SL04081	SCREW	2	SCHRAUBE	VIS	TORNILLO	VITE
14	SL23650	FUSE	1	SICHERUNG	FUSIBLE	FUSIBLE	FUSIBILE 10A
16	SL04186	SCREW	2	SCHRAUBE	VIS	TORNILLO	VITE 4X12
17	SL23894	FUSE HOLDER	1	ABSCHMELSSSTREIFENKASTEN	PORTE FUSIBLES	PORTAFUSIBLES	PORTA FUSIBILI
18	SL06004	NUT	18	MUTTER	ECROU	TUERCA	DADO 8
19	SL06083	WASHER	14	UNTERLEGSCHLEIBE	RONDELLE	ARANDELA	RONDELLA GROWER 8
20	SL23740	FUSE	1	SICHERUNG	FUSIBLE	FUSIBLE	FUSIBILE
21	SL23103	SUPPORT	3	HALTERUNG	SUPPORT	SOPORTE	SUPPORTO
22	SL39082	PLATE	1	PLATTE	PLAQUE	PLACA	PIASTRA
23	SL23716-2	BOX BASE	1	KASTEN, GEHÄUSE BASIS	BASE BOITE	BASE CAJA	BASE SCATOLA
24	SL06034	WASHER	6	UNTERLEGSCHLEIBE	RONDELLE	ARANDELA	RONDELLA
25	SL06094	WASHER	4	UNTERLEGSCHLEIBE	RONDELLE	ARANDELA	RONDELLA
26	SL04371	SCREW	4	SCHRAUBE	VIS	TORNILLO	VITE
27	SL04327	SCREW	4	SCHRAUBE	VIS	TORNILLO	VITE
30	SL05019	NUT	4	MUTTER	ECROU	TUERCA	DADO 3
31	SL06056	WASHER	4	UNTERLEGSCHLEIBE	RONDELLE	ARANDELA	RONDELLA 3
32	SL23957	RESISTANCE	1	WIDERSTAND	RESISTANCE	RESISTENCIA	RESISTENZA
33	SL04179	SCREW	4	SCHRAUBE	VIS	TORNILLO	VITE
34	SL23397	RESISTANCE	1	WIDERSTAND	RESISTANCE	RESISTENCIA	RESISTENZA 1 OHM 25W
35	SL39082-2	BRACKET	1	BÜGEL	ETRIER	ESTRIBO	STAFFA RESISTENZE
36	SL04082	SCREW	2	SCHRAUBE	VIS	TORNILLO	VITE
37	SL23735	REMOTE CONTROL SWITCH	1	FERNSCHALTER	TELE-INTERRUPTEUR	TELERRUPTOR	TELERUTTORE
38	SL06004	WASHER	2	UNTERLEGSCHLEIBE	RONDELLE	ARANDELA	RONDELLA
39	SL05058	NUT	2	MUTTER	ECROU	TUERCA	DADO
40	SL23221	CONNECTOR	1	VERBINDER	CONNECTEUR	CONECTOR	CONNETTORE 6 VIE
41	SL04385	SCREW	2	SCHRAUBE	VIS	TORNILLO	VITE
42	SL23729	GEARCASE / BOARD	1	ZENTRALE / KARTE	FICHE DE CONTROLE	CENTRALITA / TARJETA	CENTRALINA
43	SL25187	LABEL	1	ETIKETT	ETIQUETTE	ETIQUETA	ADESIVO
44	SL23716-1L	BOX COVER	1	KASTEN, GEHÄUSE DECKEL	COUVERCLE BOITE	TAPA CAJA	COPERCHIO SCATOLA

DESCRIPTION: TANK TANK RESERVOIR TANQUE SERBATOIO INFERIORE

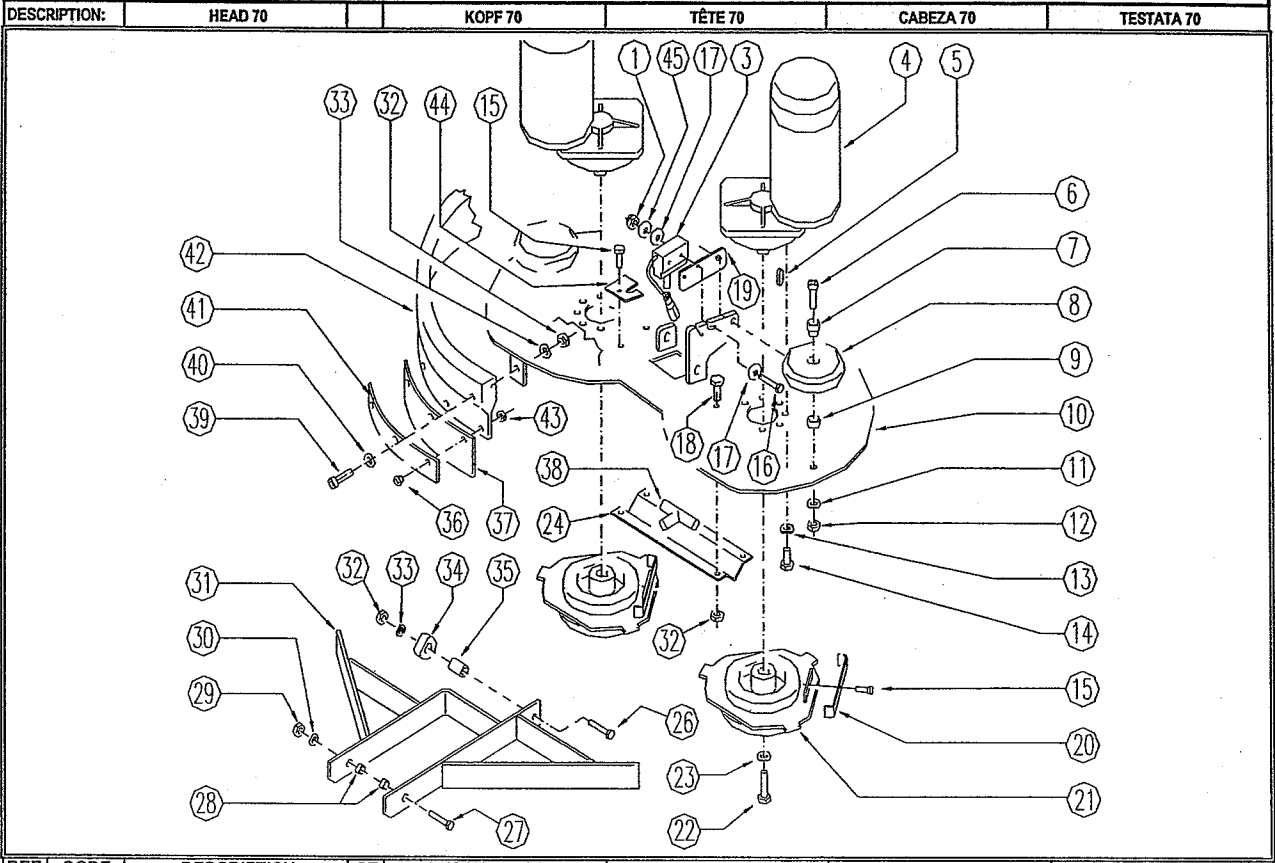


REF	CODE	DESCRIPTION	QT	BESCHREIBUNG	DESCRIPTION	DESCRIPCION	DESCRIZIONE
1	SL03526	FILTER	1	FILTER	FILTRE	FILTRO	FILTRO
2	SL03575	GASKET	1	DICHTUNG	JOINT	EMPAQUETADURA	GUARNIZIONE
3	SL03566	GASKET	1	DICHTUNG	JOINT	EMPAQUETADURA	GUARNIZIONE
4	SL07629	PIN	1	ZAPFEN	PIVOT	PERNO / PIVOTE	PERNO
5	SL03980	GASKET	1	DICHTUNG	JOINT	EMPAQUETADURA	GUARNIZIONE
6	SL03551	GASKET	1	DICHTUNG	JOINT	EMPAQUETADURA	GUARNIZIONE
7	SL03979	GASKET	1	DICHTUNG	JOINT	EMPAQUETADURA	GUARNIZIONE
8	SL04395	SCREW	4	SCHRAUBE	VIS	TORNILLO	VITE
9	SL06050	WASHER	4	UNTERLEGSCHLEIBE	RONDELLE	ARANDELA	RONDELLA
10	SL06108	WASHER	4	UNTERLEGSCHLEIBE	RONDELLE	ARANDELA	RONDELLA
11	SL04040	SCREW	4	SCHRAUBE	VIS	TORNILLO	VITE
12	SL17493-1	PIN	2	ZAPFEN	PIVOT	PERNO / PIVOTE	PERNO
13	SL04171	INSERT	2	EINSATZ	SEGMENT	ENCAJE	INSERTO
14	SL18232	UNION / CONNECTOR	2	ANSCHLUSS	RACCORD	UNION / CONECTOR	RACCORDO
15	SL14109	CLAMP	2	SCHLELLE	BANDE	ABRAZADERA	FASCETTA
16	SL19097	HOSE	1	SCHLAUCH	TUYAU	TUBO	TUBO
17	SL14063	CLAMP	1	SCHLELLE	BANDE	ABRAZADERA	FASCETTA
18	SL19113-1	HOSE	1	SCHLAUCH	TUYAU	TUBO	TUBO
20	SL18395	CAP	1	STOPFEN, VERSCHLUSS	BOUCHON	TAPON	TAPPO
21	SL04371	SCREW	4	SCHRAUBE	VIS	TORNILLO	VITE
22	SL13118	DUCT LOCK	1	SCHLAUCHHALTER	FIXE-TUYAU	BLOQUEO TUBO	FERMA-TUBO
23	SL05041	NUT	2	MUTTER	ECROU	TUERCA	DADO
24	SL39079	ROD	1	STANGE	TIGE	VARILLA	ASTA
25	SL04180	SCREW	1	SCHRAUBE	VIS	TORNILLO	VITE
26	SL06015	WASHER	1	UNTERLEGSCHLEIBE	RONDELLE	ARANDELA	RONDELLA
27	SL17491-1	LEVER	1	HEBEL	LEVIER	PALANCA	LEVA
28	SL03577	CLAMP	1	SCHLELLE	BANDE	ABRAZADERA	FASCETTA

DESCRIPTION:	HEAD LIFTING	KOPFHEBEVORRICHTUNG	SOULEVEMENT TETE	LEVANTAMIENTO CABEZA	SOLLEVAMENTO TESTATA
--------------	--------------	---------------------	------------------	----------------------	----------------------

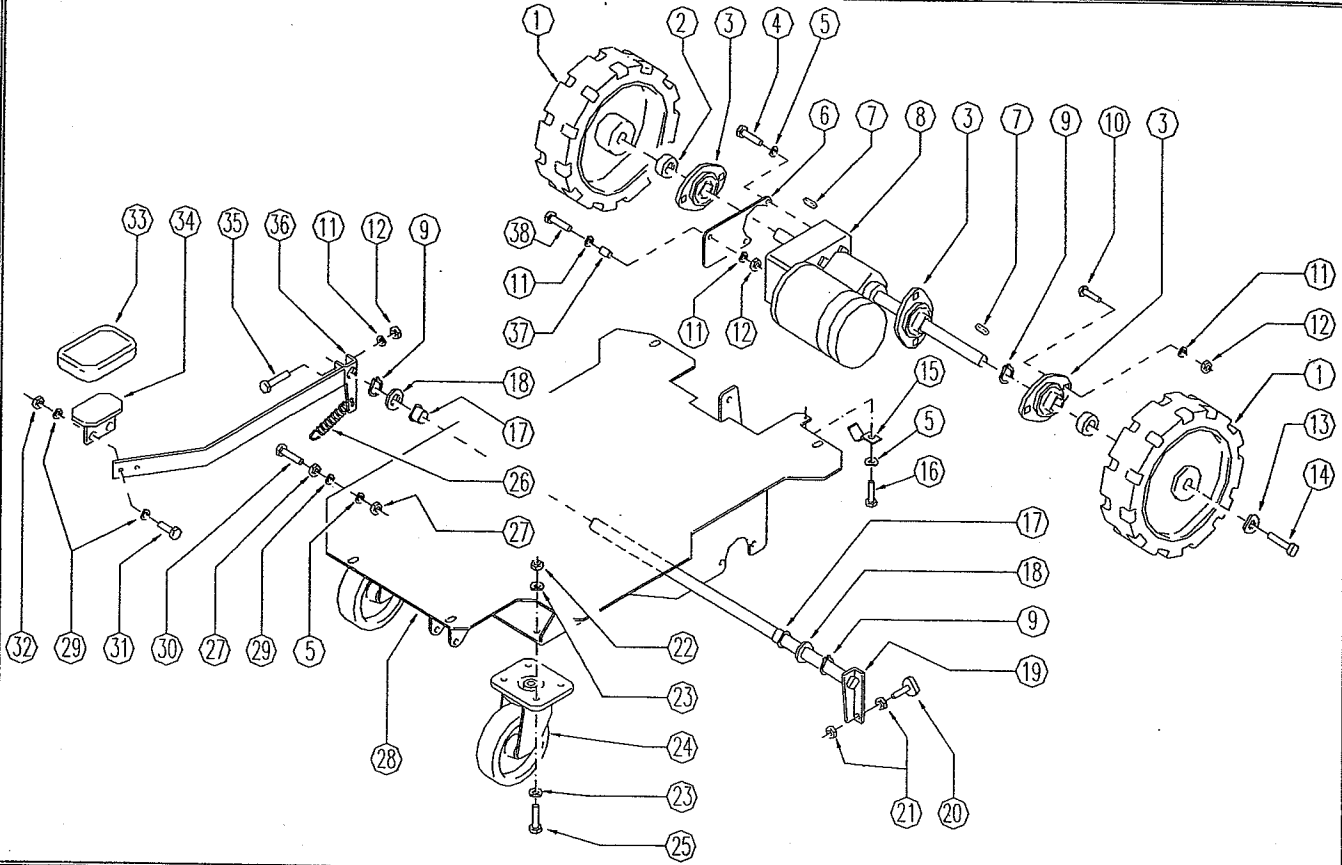


REF	CODE	DESCRIPTION	QT	BESCHREIBUNG	DESCRIPTION	DESCRIPCION	DESCRIZIONE
1	SL39065	LEVER	2	HEBEL	LEVER	PALANCA	LEVA
2	SL13132	SPRING	1	FEDER	RESSORT	RESORTE	MOLLA
3	SL06029	WASHER	1	UNTERLEGSCHIEBE	RONDELLE	ARANDELA	RONDELLA
4	SL39067	SPRING GUIDE	1	FEDERFÜHRUNG	GLISSIERE RESSORT	GUIA DE LA MOLLA	GUIDA MOLLA
5	SL12072	BUSHING	4	BÜCHSE	DOUILLE	CASQUILLO / FORRO	BOCCOLA
6	SL07528	SPACER	2	DISTANZSTÜCK	ENTRETOISE	SEPARADOR	DISTANZIALE
7	SL06041	WASHER	3	UNTERLEGSCHIEBE	RONDELLE	ARANDELA	RONDELLA
8	SL05039	NUT	4	MÜTTER	ECROU	TUERCA	DADO
9	SL39074	LEVER	1	HEBEL	LEVIER	PALANCA	LEVA
10	SL04387	SCREW	1	SCHRAUBE	VIS	TORNILLO	VITE
11	SL06022	WASHER	3	UNTERLEGSCHIEBE	RONDELLE	ARANDELA	RONDELLA
12	SL04200	SCREW	1	SCHRAUBE	VIS	TORNILLO	VITE
13	SL07318	SPACER	2	DISTANZSTÜCK	ENTRETOISE	SEPARADOR	DISTANZIALE
14	SL07527	SPACER	2	DISTANZSTÜCK	ENTRETOISE	SEPARADOR	DISTANZIALE
15	SL07063	SPACER	2	DISTANZSTÜCK	ENTRETOISE	SEPARADOR	DISTANZIALE
16	SL02204	ACTUATOR	1	TRIEB	ACTIONNEUR	ACCIONADOR	ATTUATORE
17	SL05041	NUT	2	MÜTTER	ECROU	TUERCA	DADO
18	SL04201	SCREW	3	SCHRAUBE	VIS	TORNILLO	VITE
19	SL07165	SPACER	1	DISTANZSTÜCK	ENTRETOISE	SEPARADOR	DISTANZIALE
20	SL04133	SCREW	1	SCHRAUBE	VIS	TORNILLO	VITE



DESCRIPTION:	HEAD 70	KOPF 70	TÊTE 70	CABEZA 70	TESTATA 70	
REF. CODE	DESCRIPTION	QT	BESCHREIBUNG	DESCRIPTION	DESCRIPCION	DESCRIZIONE
1 SL05078	NUT	2	MUTTER	ECROU	TUERCA	DADO
3 GFS3048	MICROSWITCH	1	MIKROSCHALTER	MICRO-INTERRUPTEUR	MICROINTERRUPTOR	MICROINTERRUTTORE
4 SL02251	GEARMOTOR	2	GETRIEBEMOTOR	MOTO-REDUCTEUR	MOTORREDUCTOR	MOTORIDUTTORE
5 SL11002	TANG / TONGUE	2	LAPPEN	LANGUETTE	LENGUETA	LINGUETTA
6 SL04167	SCREW	2	SCHRAUBE	VIS	TORNILLO	VITE
7 SL07390	BUSHING	2	BUCHSE	DOUILLE	BUCOLA	BOCCOLA
8 SL08040	WHEEL	2	RÄDCHEN	ROUE	RUEDA	RUOTINO
9 SL07297	SPACER	2	DISTANZSTÜCK	ENTRETOISE	SEPARADOR	DISTANZIALE
10 SL39080	HEAD	1	KOPF	TÊTE	CABEZA	TESTATA
11 SL06041	WASHER	3	UNTERLEGSCHIBE	RONDELLE	ARANDELA	RONDELLA
12 SL06039	NUT	3	MUTTER	ECROU	TUERCA	DADO
13 SL06093	WASHER	14	UNTERLEGSCHIBE	RONDELLE	ARANDELA	RONDELLA
14 SL04180	SCREW	14	SCHRAUBE	VIS	TORNILLO	VITE
15 SL04079	SCREW	3	SCHRAUBE	VIS	TORNILLO	VITE
16 SL04404	SCREW	2	SCHRAUBE	VIS	TORNILLO	VITE
17 SL06031	WASHER	4	UNTERLEGSCHIBE	RONDELLE	ARANDELA	RONDELLA
18 SL04278	SCREW	4	SCHRAUBE	VIS	TORNILLO	VITE
19 SL39200	PLAQUE	1	PLÄTTCHEN	PLATINE	PLACA	PIASTRINA
20 SL13135	SPRING	2	FEDER	RESSORT	RESSORTE	MOLLA
21 SL01042	FLANGE	2	FLANSCH	BRIDE	BRIDA	FLANGIA
22 SL04020	SCREW	2	SCHRAUBE	VIS	TORNILLO	VITE
23 SL06081	WASHER	2	UNTERLEGSCHIBE	RONDELLE	ARANDELA	RONDELLA
24 SL39111	DISTRIBUTOR	1	WASSERVERTEILER	DISTRIBUTEUR	DISTRIBUIDOR	DISTRIBUTORE
26 SL04061	SCREW	1	SCHRAUBE	VIS	TORNILLO	VITE
27 SL04389	SCREW	1	SCHRAUBE	VIS	TORNILLO	VITE
28 SL07133	SPACER	2	DISTANZSTÜCK	ENTRETOISE	SEPARADOR	DISTANZIALE
29 SL06013	NUT	1	MUTTER	ECROU	TUERCA	DADO
30 SL06005	WASHER	1	UNTERLEGSCHIBE	RONDELLE	ARANDELA	RONDELLA
31 SL39123	BRACKET	1	BÜGEL	ETRIER	ESTRIBO	STAFFA
32 SL05041	NUT	8	MUTTER	ECROU	TUERCA	DADO
33 SL06022	WASHER	4	UNTERLEGSCHIBE	RONDELLE	ARANDELA	RONDELLA
34 SL08058	SMALL WHEEL	1	RÄDCHEN	ROUE	RUEDICILLA	RUOTINO
35 SL07526	SPACER	1	DISTANZSTÜCK	ENTRETOISE	SEPARADOR	DISTANZIALE
36 SL04395	SCREW	6	SCHRAUBE	VIS	TORNILLO	VITE
37 SL03562	FLAP	2	FLAP	FLAP	FLAP	FLAP
38 SL18243	UNION / CONNECTOR	1	ANSCHLUSS	RACCORD	UNION / CONECTOR	RACCORDO (o RESCA)
39 SL04324	SCREW	3	SCHRAUBE	VIS	TORNILLO	VITE
40 SL06039	WASHER	3	UNTERLEGSCHIBE	RONDELLE	ARANDELA	RONDELLA
41 SL03670	FLAP PRESS	2	FLAPNIEDERHALTER	PRESSE-FLAP	APRIETAFLAP	PREM FLAP
42 SL03531	GASKET	1	DICHTUNG	JOINT	EMPAQUETADURA	GUARNIZIONE
43 SL05029	NUT	6	MUTTER	ECROU	TUERCA	DADO
44 SL39138	PLAQUE	1	PLÄTTCHEN	PLATINE	PLACA	PIASTRINA
45 SL06107	WASHER	2	UNTERLEGSCHIBE	RONDELLE	ARANDELA	RONDELLA

DESCRIPTION:	FRAME AND DRIVE	RAHMEN UND ANTRIEB	CHASSIS ET TRACTION	CHASIS Y TRACCION	TELAIO E TRAZIONE
--------------	-----------------	--------------------	---------------------	-------------------	-------------------

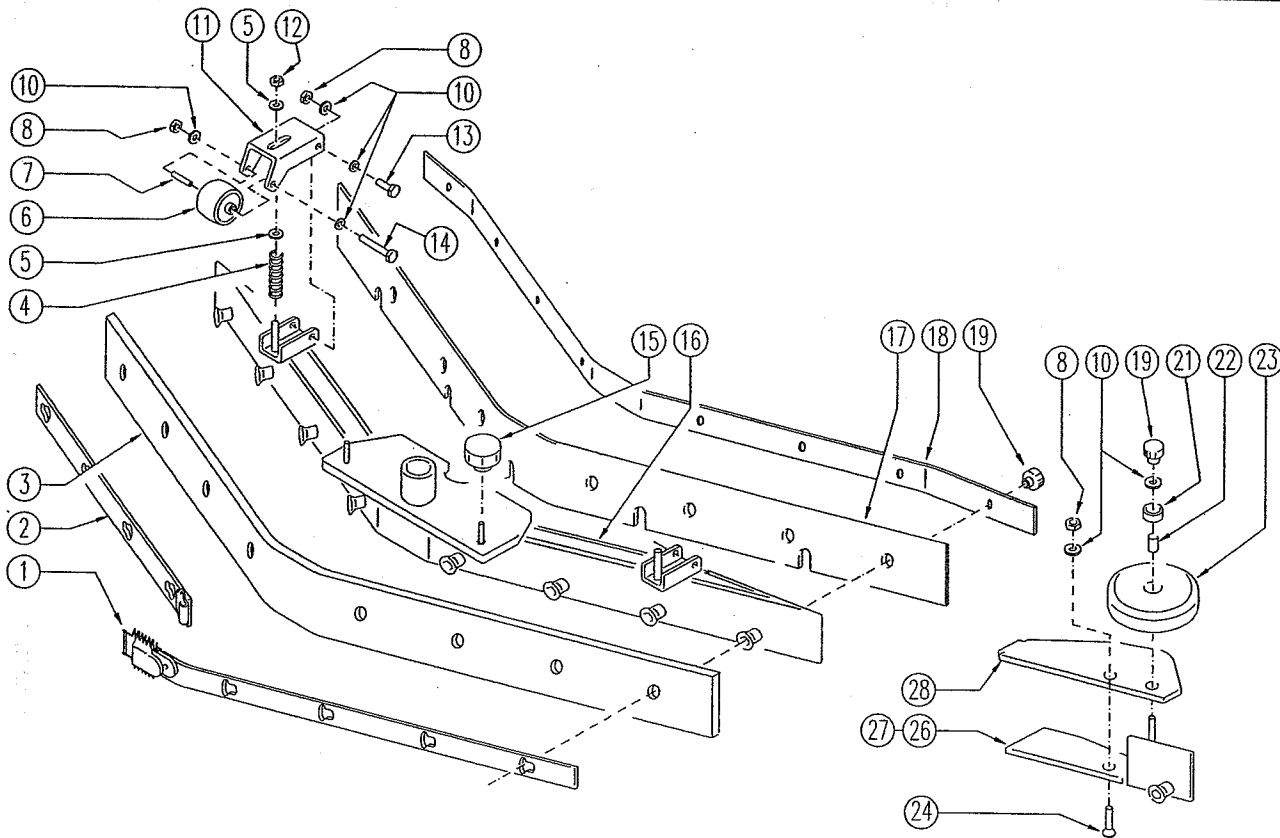


REF.	CODE	DESCRIPTION	QT	BESCHREIBUNG	DESCRIPTION	DESCRIPCION	DESCRIZIONE
1	SL08054	WHEEL	2	RÄDCHEN	ROUE	RUEDA	RUOTA
2	SL12031-1	SPACER	2	DISTANZSTUCK	ENTRETOISE	SEPARADOR	DISTANZIALE
3	SL12031	BEARING	3	LAGER	PALIER / ROULEMENT	COJINETE	CUSCINETTO
4	SL04135	SCREW	2	SCHRAUBE	VIS	TORNILLO	VITE
5	SL06093	WASHER	4	UNTERLEGSCHIEBE	RONDELLE	ARANDELA	RONDELLA
6	SL39085	PLATE	1	PLATTE	PLAQUE	PLACA	PIASTRA
7	SL11105	TANG / TONGUE	2	LAPPEN	LANGUETTE	LINGUETA	LINGUETTA
8	SL02250	MOTOR	1	MOTOR	MOTEUR	MOTOR	MOTORE
9	SL11094	RING	3	RING	ANNEAU / BAGUE	ANILLO	ANELLO
10	SL04355	SCREW	6	SCHRAUBE	VIS	TORNILLO	VITE
11	SL06041	WASHER	9	UNTERLEGSCHIEBE	RONDELLE	ARANDELA	RONDELLA
12	SL05039	NUT	7	MUTTER	ECROU	TUERCA	DADO
13	SL08069	WASHER	2	UNTERLEGSCHIEBE	RONDELLE	ARANDELA	RONDELLA
14	SL04259	SCREW	2	SCHRAUBE	VIS	TORNILLO	VITE
15	SL14353	CLIP	1	KLAMMER	AGRAFE	GRAPA	GRAFFETTA
16	SL04180	SCREW	1	SCHRAUBE	VIS	TORNILLO	VITE
17	SL12035	BEARING	2	LAGER	PALIER / ROULEMENT	COJINETE	CUSCINETTO
18	SL06079	WASHER	2	UNTERLEGSCHIEBE	RONDELLE	ARANDELA	RONDELLA
19	SL39075	BRAKE AXLE	1	BREMSEACHSE	ESSIEU FREIN	EJE FRENO	ASSE
20	SL20059	PLUG / STOPPER	2	PUFFER	TAMPON	TAPON / ALMOHADILLA	TAMPONE
21	SL05048	NUT	4	MUTTER	ECROU	TUERCA	DADO
22	SL05032	NUT	8	MUTTER	ECROU	TUERCA	DADO
23	SL06011	WASHER	16	UNTERLEGSCHIEBE	RONDELLE	ARANDELA	RONDELLA
24	SL08007	SMALL WHEEL	2	RÄDCHEN	ROUE	RUEDECILLA	RUOTINO
25	SL04132	SCREW	8	SCHRAUBE	VIS	TORNILLO	VITE
26	SL13011	SPRING	1	FEDER	RESSORT	RESORTE	MOLLA
27	SL05017	NUT	2	MUTTER	ECROU	TUERCA	DADO
28	SL39065	FRAME	1	RAHMEN	CADRE	CHASIS	TELAIO
29	SL06022	WASHER	5	UNTERLEGSCHIEBE	RONDELLE	ARANDELA	RONDELLA
30	SL04144	SCREW	1	SCHRAUBE	VIS	TORNILLO	VITE
31	SL04002	SCREW	2	SCHRAUBE	VIS	TORNILLO	VITE
32	SL05074	NUT	2	MUTTER	ECROU	TUERCA	DADO
33	SL20013	RUBBER SHIM	1	ZWISCHENLEGSCHIEBE AUS GUMMI	CALE EN CAOUTCHOUC	RIOSTRA DE GOMA	GOMMA
34	SL09133	PEDAL	1	PEDAL	PEDALE	PEDAL	PEDALE
35	SL04164	SCREW	1	SCHRAUBE	VIS	TORNILLO	VITE
36	SL39077	LEVER	1	HEBEL	LEVIER	PALANCA	LEVA
37	SL07387	SPACER	1	DISTANZSTUCK	ENTRETOISE	SEPARADOR	DISTANZIALE
38	SL04075	SCREW	1	SCHRAUBE	VIS	TORNILLO	VITE

CODE:

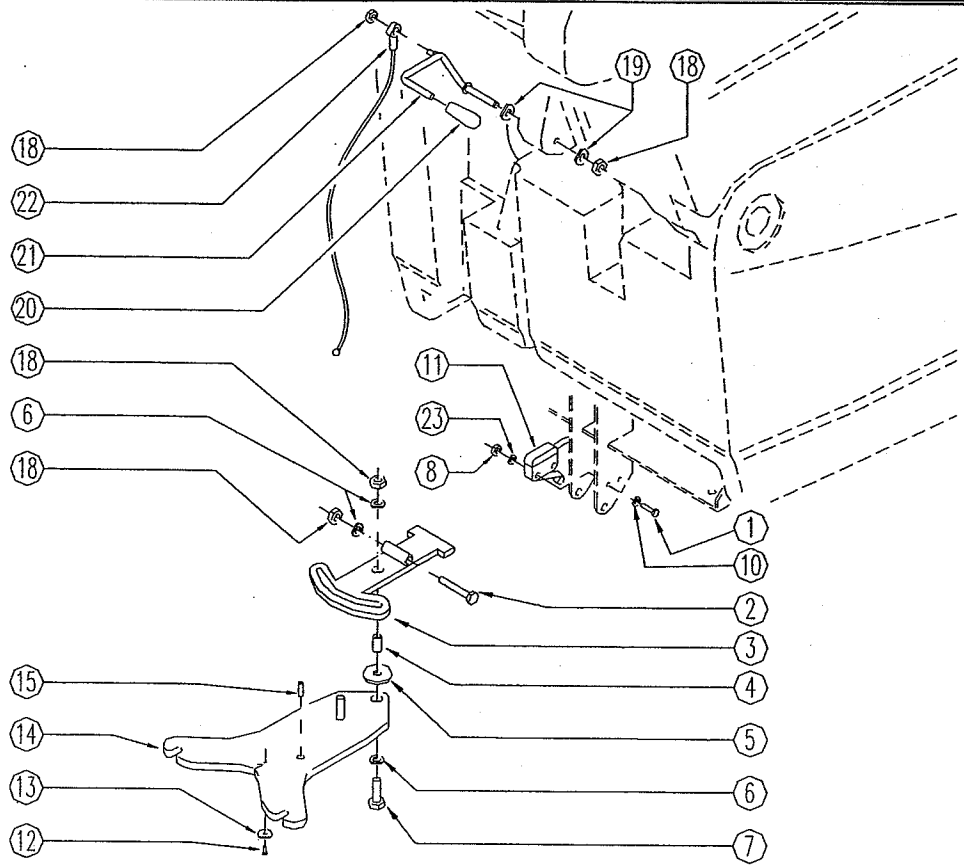
pl1452 ab SN from 01E600

DESCRIPTION: SQUEEGEE SQUEEGEE SQUEEGEE SQUEEGEE SQUEEGEE



REF	CODE	DESCRIPTION	QT	BESCHREIBUNG	DESCRIPTION	DESCRIPCION	DESCRIZIONE
	GR39027-85A	SQUEEGEE UNIT		SAUGFUßGRUPPE	GROUPE SUCEUR	GRUPO ESCURRESUELOS	GRUPPO SQUEEGEE
1	SL39141	BLADE HOLDER	1	LIPPENHALTER	FIXE-LAME	DISPOSITIVO DE BLOQUEO HOJA	BLOCCA LAMA
2	SL39142	BLADE HOLDER	1	LIPPENHALTER	FIXE-LAME	DISPOSITIVO DE BLOQUEO HOJA	BLOCCA LAMA
3	SL03563	BLADE	1	GUMMILIPPE	LAME	HOJA	LAMA POSTERIORE
4	SL13103	SPRING	2	FEDER	RESSORT	RESSORTE	MOLLA
5	SL06041	WASHER	4	SCHEIBE	RONDELLE	ARANDELA	RONDELLA
6	SL08058	WHEEL	2	RÄDCHEN	ROUE	RUEDA	RUOTINO REGOLAZIONE
7	SL07526	SPACER	2	DISTANZSTÜCK	ENTRETOISE	ESPESSOR	DISTANZIALE
8	SL05074	NUT	8	MUTTER	ECROU	TUERCA	DADO
10	SL06022	WASHER	16	SCHEIBE	RONDELLE	ARANDELA	RONDELLA
11	SL39033	SUPPORT	2	HALTERUNG	SUPPORT	SOPORTE	SUPPORTO RUOTINO REG.
12	SL05039	NUT	2	MUTTER	ECROU	TUERCA	DADO
13	SL04135	SCREW	4	SCHRAUBE	VIS	TORNILLO	VITE
14	SL04061	SCREW	2	SCHRAUBE	VIS	TORNILLO	VITE
15	SL20060	HANDLE	2	KNAUF	POIGNEE	PERILLA	POMOLO
16	SL39136	BODY	1	KÖRPER	CORPS	CUERPO	CORPO SQUEEGEE
17	SL03564	BLADE	1	GUMMILIPPE	LAME	HOJA	LAMA ANTERIORE
18	SL39144	BLADE HOLDER	1	LIPPENHALTER	FIXE-LAME	DISPOSITIVO DE BLOQUEO HOJA	BLOCCA LAMA
19	SL20058	HANDLE	10	KNAUF	POIGNEE	PERILLA	POMOLO
21	SL17608	BUSHING/BUSH	2	BUCHSE	DOUILLE	CASQUILLO/FORRO	BOCCOLA
22	SL07065	SPACER	2	DISTANZSTÜCK	ENTRETOISE	ESPESSOR	DISTANZIALE
23	SL08040	WHEEL	2	RÄDCHEN	ROUE	RUEDA	RUOTINO ANTIURTO
24	SL04098	SCREW	2	SCHRAUBE	VIS	TORNILLO	VITE
26	SL39140	LEFT EXTENSION	1	VERLÄNGERUNG	RALLONGE	EXTENSION IZQUIERDA	PROLUNGA SINISTRA
27	SL39139	RIGHT EXTENSION	1	VERLÄNGERUNG	RALLONGE	EXTENSION DERECHA	PROLUNGA DESTRA
28	SL39143	SUPPORT	2	HALTERUNG	SUPPORT	SOPORTE	SUPPORTO

DESCRIPTION: SQUEEGEE SUPPORT SAUGFUßHALTERUNG SUPPORT SUCEUR SOPORTE ESCURRESUELOS SUPPORTO SQUEEGEE



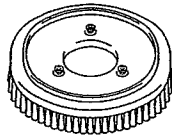
REF	CODE	DESCRIPTION	QT	BESCHREIBUNG	DESCRIPTION	DESCRIPCION	DESCRIZIONE
1	SL04197	SCREW	2	SCHRAUBE	VIS	TORNILLO	VITE
2	SL04229	SCREW	1	SCHRAUBE	VIS	TORNILLO	VITE
3	SL39071	ARM	1	ARM	BRAS	BRAZO	BRACCIO
4	SL07427	BUSHING / BUSH	1	BUCHSE	DOUILLE	CASQUILLO / FORRO	BOCOLA
5	SL06062	WASHER	1	UNTERLEGSCHIEBE	RONDELLE	ARANDELA	RONDELLA
6	SL06041	WASHER	3	UNTERLEGSCHIEBE	RONDELLE	ARANDELA	RONDELLA
7	SL04127	SCREW	1	SCHRAUBE	VIS	TORNILLO	VITE
8	SL05078	NUT	2	MUTTER	ECROU	TUERCA	DADO
10	SL06019	WASHER	2	UNTERLEGSCHIEBE	RONDELLE	ARANDELA	RONDELLA
11	SL23200	MICROSWITCH	1	MIKROSCHALTER	MICRO-INTERRUPTEUR	MICROINTERRUPTOR	MICROINTERRUTTORE
12	SL04079	SCREW	1	SCHRAUBE	VIS	TORNILLO	VITE
13	SL06084	WASHER	1	UNTERLEGSCHIEBE	RONDELLE	ARANDELA	RONDELLA
14	SL39099	BRACKET	1	BÜGEL	ETRIER	ESTRIBO	STAFFA
15	SL11126	SCREW	1	SCHRAUBE	VIS	TORNILLO	VITE
18	SL05039	NUT	3	MUTTER	ECROU	TUERCA	DADO
19	SL06025	WASHER	2	UNTERLEGSCHIEBE	RONDELLE	ARANDELA	RONDELLA
20	SL20007	KNOB (o HANDWHEEL)	1	KNAUF	VOLANT A MAIN	BOTON ESFERICO (o VOLANTE)	POMOLO
21	SL39036	LEVER	1	HEBEL	LEVIER	PALANCA	LEVA
22	SL14248	CABLE	1	KABEL	CABLE	CABLE	CAVO
23	SL06107	WASHER	2	UNTERLEGSCHIEBE	RONDELLE	ARANDELA	RONDELLA

CODE:

pl1434 ab SN from 01K374

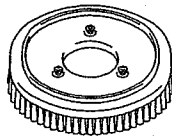
DESCRIPTION: BRUSHES ø340 BURSTEN ø340 BROSSES ø340 CEPILLOS ø340 SPAZZOLE ø340

POLYPROPYLENE- NYLON - NYLON
NYLON - NYLON



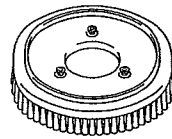
2

POLYSHING - POLIERBURSTERN
SORGHÖ - FIBRA - BASSINA

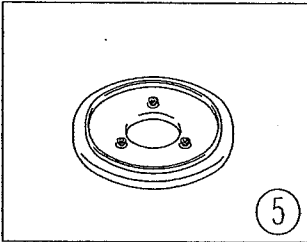


3

TYNEX - TYNEX - TYNEX
TYNEX - TYNEX

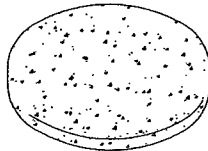


4



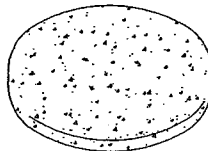
5

BLACK - SCHWARZ - NOIR
PAD - NERO



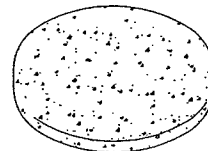
6

GREEN - GRUEN- VERT
VERDE - VERDE



7

YELLOW - GELB - JEUNE
AMARILLO - GIALLO



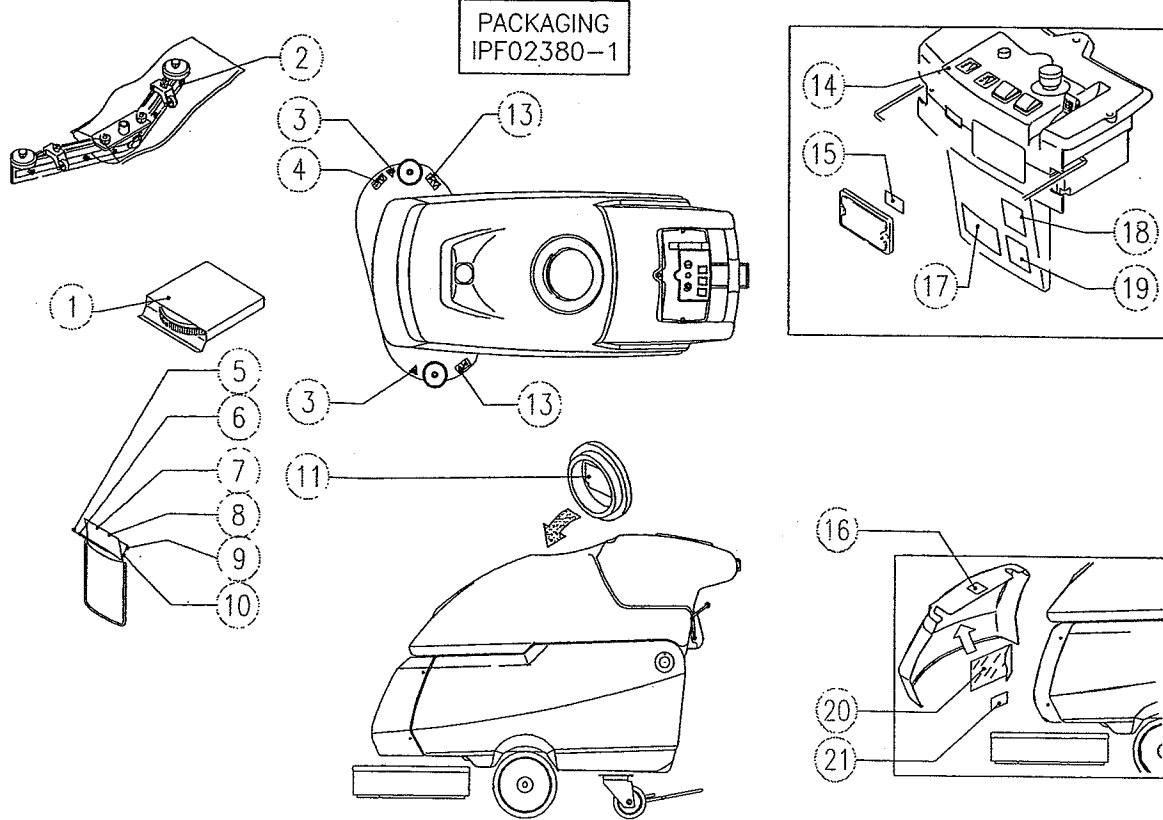
8

REF.	CODE	DESCRIPTION	QT	BESCHREIBUNG	DESCRIPTION	DESCRIPCION	DESCRIZIONE
2	AL03810-2	POLYPROPYLENE BRUSH		NYLON BURSTEN	BROSSES NYLON	CEPILLOS NYLON	SPAZZOLA NYLON
3	AL03811-2	POLYSHING BRUSH		POLIERBURSTERN	BROSSES SORGHO	CEPILLOS FIBRA	SPAZZOLA BASSINA
4	AL03812-2	TYNEX BRUSHES		TYNEX BURSTERN	BROSSES TYNEX	CEPILLOS TYNEX	SPAZZOLA TYNEX
5	AL03813	PAD DRIVER		TREIBTELLERS	PLATEAUX PORTE DISQUE	PLATOS DE ABRASER	DISCO TRASCINATORE
6	AL02709	STRIPPING PAD(BLACK)		SCHLEIFSCHLEIBEN(SCHWARZ)	DISQUES ABRASIFS(NOIR)	DISCO ABRASIVOS(PAD)	DISCO ABRASIVO(NERO)
7	AL02710	STRIPPING PAD(GREEN)		SCHLEIFSCHLEIBEN(GRUEN)	DISQUES ABRASIFS(VERT)	DISCO ABRASIVOS(VERDE)	DISCO ABRASIVO(VERDE)
8	AL02711	STRIPPING PAD(YELLOW)		SCHLEIFSCHLEIBEN(GELB)	DISQUES ABRASIFS(JEUNE)	DISCO ABRASIVOS(AMARILLO)	DISCO ABRASIVO(GIALLO)

CODE:

EPF02380BC-1 ac SN from 01K374

DESCRIPTION: LABELS ETIKETTE ETIQUETTES ETIQUETAS ETICHETTE



REF.	CODE	DESCRIPTION	QT	BESCHREIBUNG	DESCRIPTION	DESCRIPCION	DESCRIZIONE
1	AL03813	PAD DRIVER	2	TREIBTELLERS	PLATEAUX PORTE DISQUE	PLATOS DE ARRASTER	DISCO TRASCINATORE
2	GR39027-85A	SQUEEGEE	1	SQUEEGEE	SQUEEGEE	SQUEEGEE	SQUEEGEE
3	SL25364	LABEL	2	ETIKETT	ETIQUETTE	ETIQUETA	ADESIVO
4	SL25366	LABEL	1	ETIKETT	ETIQUETTE	ETIQUETA	ADESIVO
5	SL25988BC-1	OPERATOR'S MANUAL	1	BEDIENUNGSANLEITUNG	MANUEL D'INSTRUCTIONS	MANUAL DE INSTRUCCIONES	MANUALE USO
6	SL25984BC	SPARE PARTS	1	ERSATZTEILE	PIECES DE RECHANGE	PIEZAS DE REPUESTO	MANUALI RICAMBI
7	SL25401-2	LABEL - DOCUMENT	1	ETIKETT - DOKUMENTATION	ETIQUETTE - DOCUMENTATION	ETIQUETA - DOCUMENTACION	ETICHETTA - DOCUMENTAZIONE
8	SL25401-3	LABEL - DOCUMENT	1	ETIKETT - DOKUMENTATION	ETIQUETTE - DOCUMENTATION	ETIQUETA - DOCUMENTACION	ETICHETTA - DOCUMENTAZIONE
9	SL25401-8	LABEL - DOCUMENT	1	ETIKETT - DOKUMENTATION	ETIQUETTE - DOCUMENTATION	ETIQUETA - DOCUMENTACION	ETICHETTA - DOCUMENTAZIONE
10	SL25303	DOCUMENT	1	DOKUMENTATION	DOCUMENTATION	DOCUMENTACION	DOCUMENTAZIONE
11	SL25056	LABEL	1	ETIKETT	ETIQUETTE	ETIQUETA	ADESIVO
13	SL25369	LABEL	2	ETIKETT	ETIQUETTE	ETIQUETA	ADESIVO
14	SL25887	LABEL	1	ETIKETT	ETIQUETTE	ETIQUETA	ADESIVO
15	SL25994	LABEL	1	ETIKETT	ETIQUETTE	ETIQUETA	ADESIVO
16	SL25167	LABEL	1	ETIKETT	ETIQUETTE	ETIQUETA	ADESIVO
17	SL25401-6	LABEL - DOCUMENT	1	ETIKETT - DOKUMENTATION	ETIQUETTE - DOCUMENTATION	ETIQUETA - DOCUMENTACION	ETICHETTA - DOCUMENTAZIONE
18	SL25177	LABEL	1	ETIKETT	ETIQUETTE	ETIQUETA	ADESIVO
19	SL25053	LABEL	1	ETIKETT	ETIQUETTE	ETIQUETA	ADESIVO
20	GR27195	ELEC. DIAGRAM ENVELOPE	1	SCHALTPLAN BEUTEL	ENVELOPPE SCHEMA ELECTRIQUE	SOBRE ESQUEMA ELECTRICO	BUSTA SCHEMI ELETTRICI
21	SL25995	LABEL	1	ETIKETT	ETIQUETTE	ETIQUETA	ADESIVO

CODE:

wd27195 ac SN from 02C80

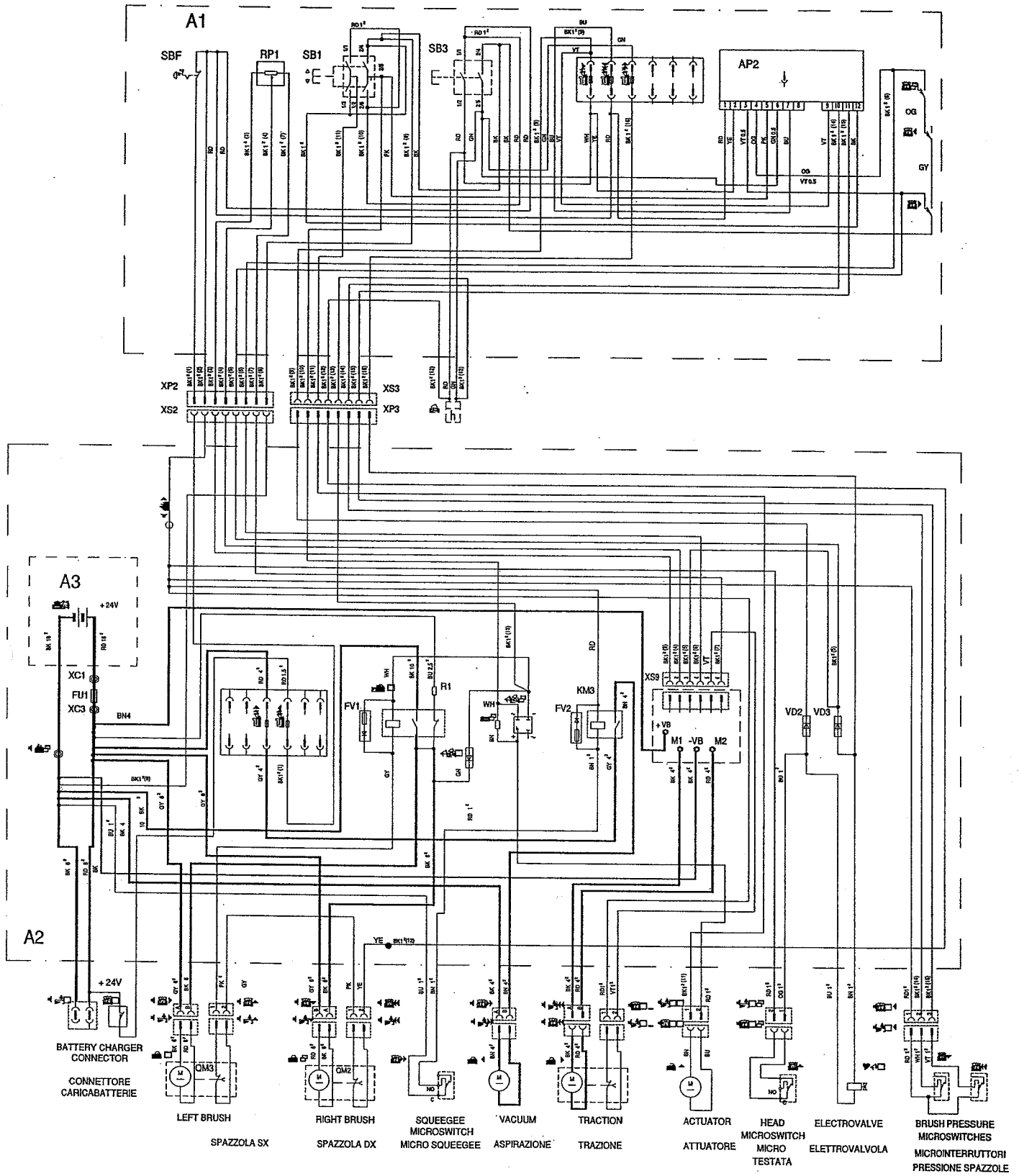
DESCRIPTION: ELEC. WIRING DIAGRAM

SCHALTPLAN

SCHEMA ELECTRIQUE

ESQUEMA ELECTRICO

SCHEMA ELETTRICO



LEGEND WDL27195

ZEICHENERKLÄRUNG WDL27195

LEGENDE WDL27195

LEYENDA WDL27195

LEGENDA WDL27195

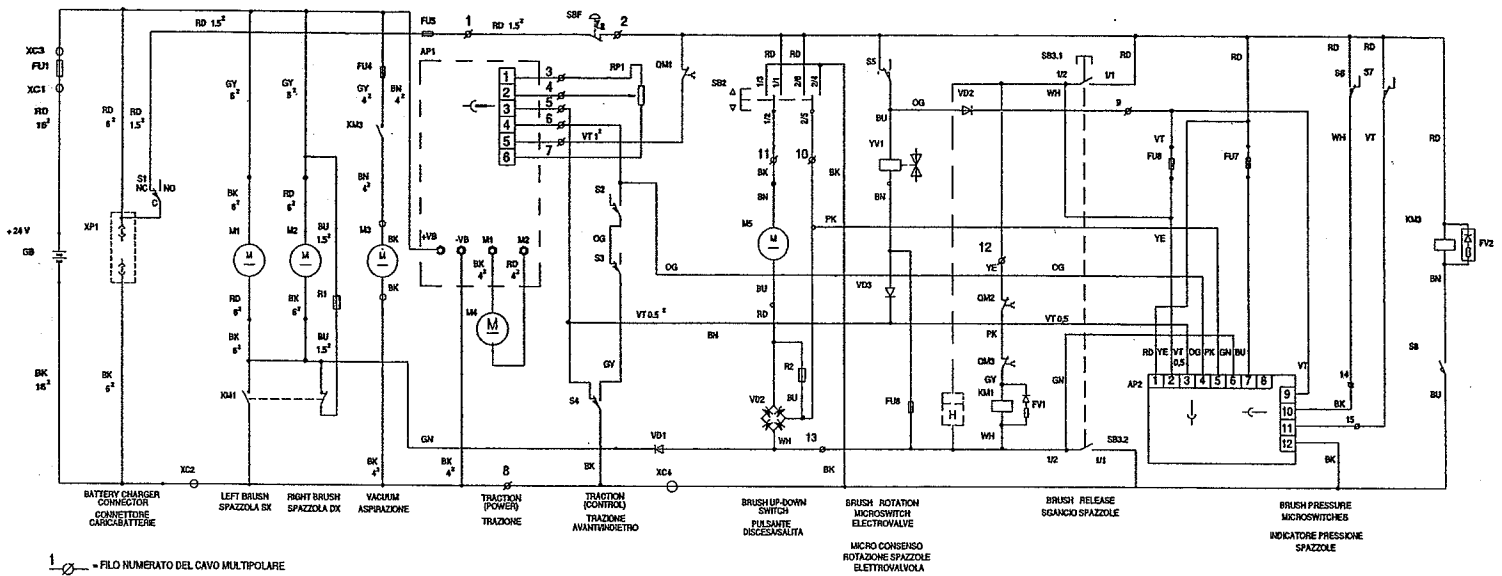
DESCRIPTION: ELEC. SCHEMATIC DIAGRAM

SCHALTPLAN

SCHEMA ELECTRIQUE

ESQUEMA ELECTRICO

SCHEMA ELETT. FUNZIONALE



REF	CODE	DESCRIPTION	QT	BESCHREIBUNG	DESCRIPTION	DESCRIPCION	DESCRIZIONE
AP1	SL23729	GEARCASE / BOARD		ZENTRALE / KARTE	FICHE DE CONTROLE	CENTRALITA / TARJETA	CENTRALINA TRAZIONE
AP2	SL23738	GEARCASE / BOARD		ZENTRALE / KARTE	FICHE DE CONTROLE	CENTRALITA / TARJETA	SCHEDA LED
FU1	SL23740	FUSE		SICHERUNG	FUSE	FUSIBLE	FUSIBILE GENERALE 125A
FU4	SL23148	FUSE		SICHERUNG	FUSE	FUSIBLE	FUSIBILE 30A
FU5	SL23650	FUSE		SICHERUNG	FUSE	FUSIBLE	FUSIBILE 10A
FV1	SL23758-1	DIODE		DIODE	DIODE	DIODO	DIODO (SOPPRESSORE)
FV2	SL23758-1	DIODE		DIODE	DIODE	DIODO	DIODO (SOPPRESSORE)
GB		BATTERY		BATTERIE	BATTERIE	BATERIA	BATTERIA
H	SL23984J	HOUR METER (OPTIONAL)		STUNDENZÄHLER (ZUBEHÖR)	COMPTE-HEURES (OPTION)	CUENTAHORAS (OPCIONAL)	BATTORE (ACCESSORIO)
HL1	SL23031	INDICATOR		ANZEIGER	INDICATEUR	INDICADOR	INDICATORE
KM1	SL23735	REMOTE CONTROL SWITCH		FERNSCHALTER	TELE-INTERRUPTEUR	TELERRUPTOR	TELERUTTORE
KM3	SL23001	RELAY		RELAIS	RELAIS	RELE	RELE / RELAIS
M1	SL02251	MOTOR		MOTOR	MOTEUR	MOTOR	MOTORE SPAZZOLE SX
M2	SL02251	MOTOR		MOTOR	MOTEUR	MOTOR	MOTORE SPAZZOLE DX
M3	SL02303-J	MOTOR		MOTOR	MOTEUR	MOTOR	MOTORE ASPIRAZIONE
M4	SL02250	MOTOR		MOTOR	MOTEUR	MOTOR	MOTORE TRAZIONE
M5	SL02204	MOTOR		MOTOR	MOTEUR	MOTOR	MOTORE ATTUATORE
QM1		THERMAL PROTECTION		THERMOSCHUTZ	PROTECTION THERMIQUE	PROTECCION TERMICA	TERMICO MOTORE TRAZIONE
QM2		THERMAL PROTECTION		THERMOSCHUTZ	PROTECTION THERMIQUE	PROTECCION TERMICA	TERMICO MOTORE SPAZZOLE SX
QM3		THERMAL PROTECTION		THERMOSCHUTZ	PROTECTION THERMIQUE	PROTECCION TERMICA	TERMICO MOTORE SPAZZOLE DX
R1	SL23397	RESISTANCE		WIDERSTAND	RESISTANCE	RESISTENCIA	RESISTENZA 1 Ohm
R2	SL23957	RESISTANCE		WIDERSTAND	RESISTANCE	RESISTENCIA	RESISTENZA 10 Ohm
RP1	SL23872	POTENTIOMETER		POTENTIOMETER	POTENTIOMETRE	POTENCIÓMETRO	POTENZIOMETRO
S1	SL23599-L	MICROSWITCH		MIKROSCHALTER	MICRO-INTERRUPTEUR	MICROINTERRUPTOR	MICRO CARICABATTERIE INSERITO
S2	SL23109	MICROSWITCH		MIKROSCHALTER	MICRO-INTERRUPTEUR	MICROINTERRUPTOR	MICROINTERRUTTORE MARCIA INDIETRO
S3	SL23109	MICROSWITCH		MIKROSCHALTER	MICRO-INTERRUPTEUR	MICROINTERRUPTOR	MICROINTERRUTTORE ANTISCHIACCIAMENTO
S4	SL23109	MICROSWITCH		MIKROSCHALTER	MICRO-INTERRUPTEUR	MICROINTERRUPTOR	MICROINTERRUTTORE MARCIA AVANTI
S5	SL23200	MICROSWITCH		MIKROSCHALTER	MICRO-INTERRUPTEUR	MICROINTERRUPTOR	MICROINTERRUTTORE AGGANCIO SPAZZOLE
S6	SL23599	MICROSWITCH		MIKROSCHALTER	MICRO-INTERRUPTEUR	MICROINTERRUPTOR	MICROINTERRUTTORE PRESSIONE 1
S7	SL23599	MICROSWITCH		MIKROSCHALTER	MICRO-INTERRUPTEUR	MICROINTERRUPTOR	MICROINTERRUTTORE PRESSIONE 2
S8	SL23200	MICROSWITCH		MIKROSCHALTER	MICRO-INTERRUPTEUR	MICROINTERRUPTOR	MICROINTERRUTTORE ASPIRAZIONE
SB2	SL23649	PUSH-BUTTON		DRUCKKNOPF	POUSSOIR	PULSADOR	PULSANTE SALITA/DISCESA TESTATA
SB3	SL23708	PUSH-BUTTON		DRUCKKNOPF	POUSSOIR	PULSADOR	PULSANTE SGANCIO SPAZZOLE
SBF		PUSH-BUTTON		DRUCKKNOPF	POUSSOIR	PULSADOR	PULSANTE EMERGENZA
VD1	SL23289	DIODE		DIODE	DIODE	DIODO	DIODO

VD2	SL23081	BRIDGE / JUMPER	BRÜCKE	PONT	PUENTE	PONTE A DIODI
VD3	SL23289	DIODE	DIODE	DIODE	DIODO	DIODO
XC1	SL23103	INSULATOR	ISOLIERER	ISOLATEUR	AISLADOR	SUPPORTO ISOLATO
XC2	SL23103	INSULATOR	ISOLIERER	ISOLATEUR	AISLADOR	SUPPORTO ISOLATO
XC	23103	INSULATOR	ISOLIERER	ISOLATEUR	AISLADOR	SUPPORTO ISOLATO
X	23010K	CONNECTOR	VERBINDER	CONNECTEUR	CONECTOR	CONNETTORE ROSSO 50A
XL	SL23414	CLAMP	KLEMME	BORNE	BORNE / SUJETADOR	MORSETTO

