



Electronic Service Manuals

This electronic document is provided as a service to our customers. We do not create the contents of the information contained in this document. Should you have detailed questions pertaining to the information contained in this document, you may contact Michco, or the manufacturer which provided the original information in this electronic deliverable. Michco's only part in this electronic deliverable was the electronic assembly process.

You may contact Michco through the following methods:
Phone (517) 484-9312 or (800) 331-3339 MI, OH, IN only
2011 N. High St. -- Lansing, Michigan -- 48906
Fax: (517) 484-9836
Email: CustServ@Michco.com
Web site: www.Michco.Com
Parts Web site: www.FloorMachineParts.Com

Order Parts on Line at:
www.FloorMachineParts.Com

Directly to Parts & Service:
By Email: **Shop@Michco.com**
By Fax: (517) 702-2041
By Voice: Use numbers above.

Serving the Cleaning Industry Since 1922

Notice: All copyrighted material remains property of original owners, all trademarks are property of respective owners. Manuals are subject to Manufacturer's reproduction limitations. Originals or reproductions were provided by manufacturers through a request. We make no warranty as to the correctness of information provided in this document and you assume all risk.

ADVANCE MIGHTY MAID

MODELS AMM12, AMM12-5, AMM12-J

PARTS LIST



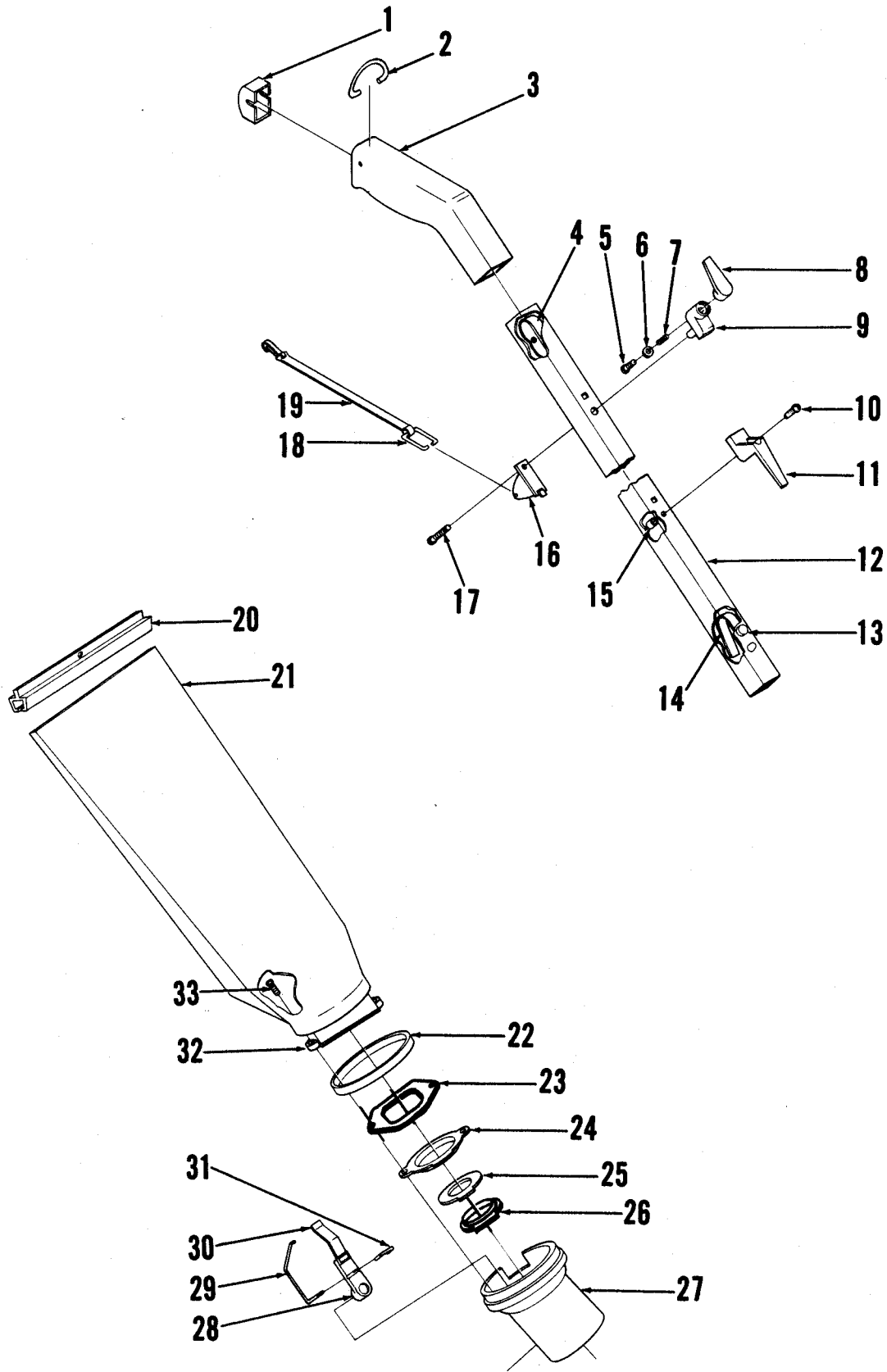
ADVANCE
MACHINE COMPANY

INTERNATIONAL HEADQUARTERS, Plymouth, Minnesota 55441-3485
EUROPE, L'antrisant, Pontyclun, Mid-Glamorgan CF7 8YZ, Wales, United Kingdom
CANADA, 1295 Crestlawn Drive, Mississauga, Ontario L4W 1A9



Index for Form Number 042169

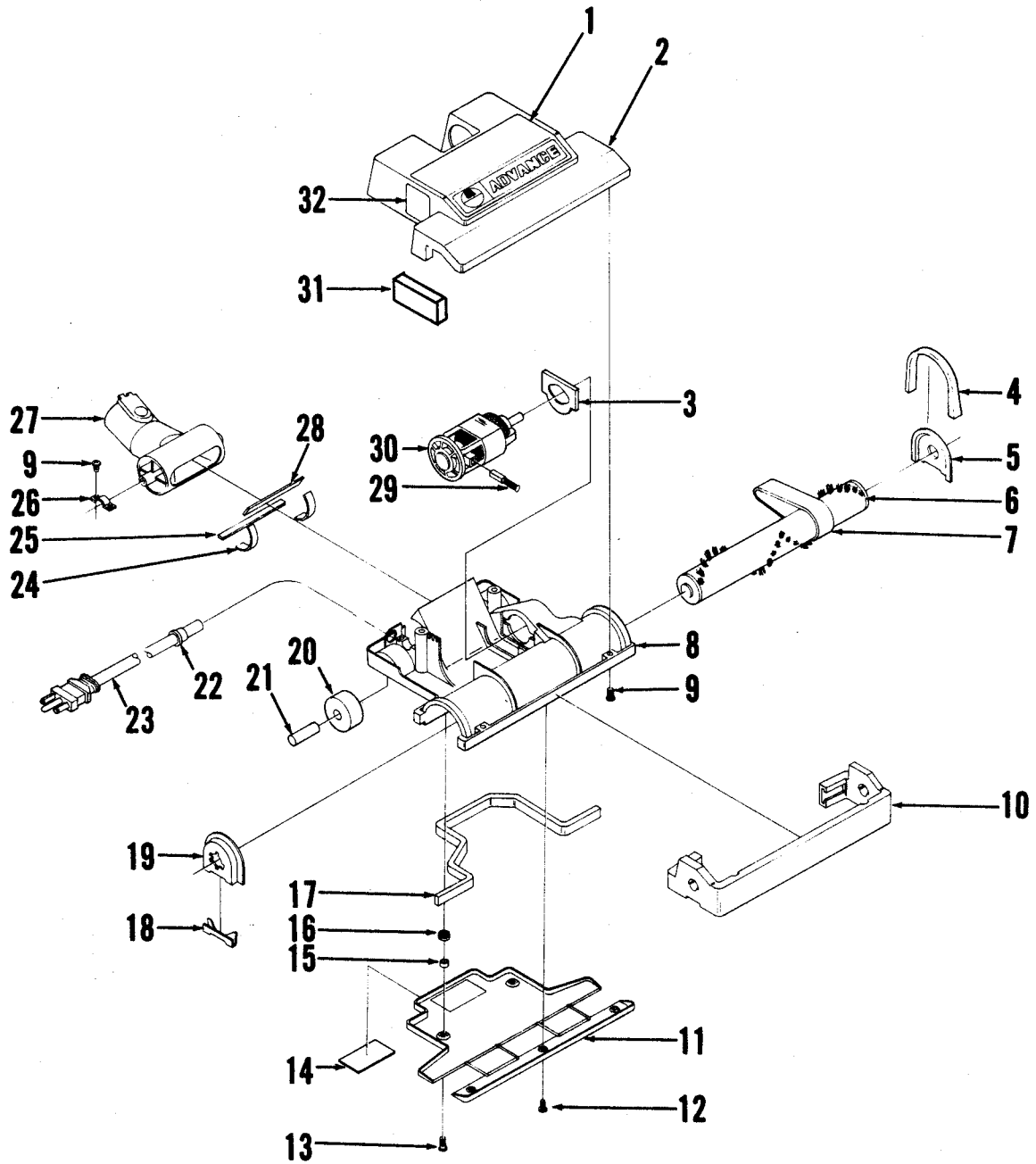
Description	Location	page
Bag and Handle	B11	1
Base	B13	3
Motor, Vacuum	C1	5



BAG AND HANDLE ASSEMBLY

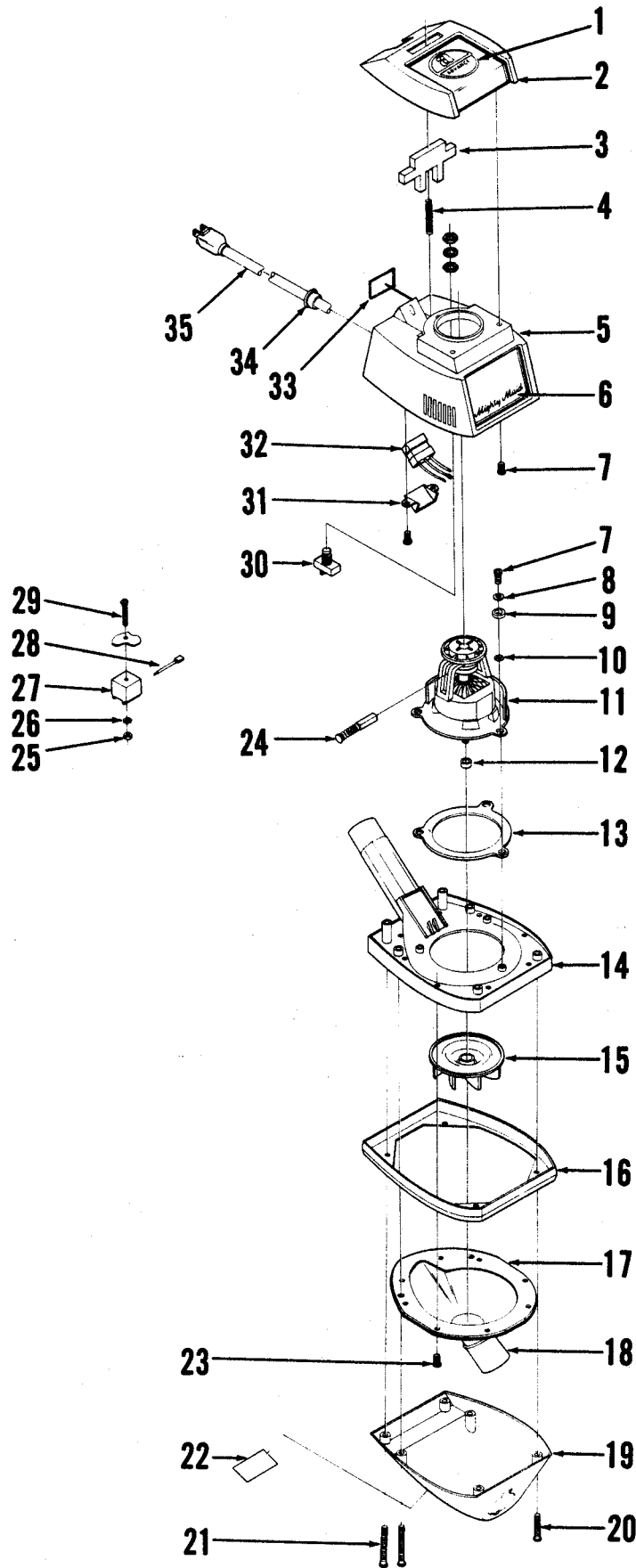
Item	Part No.	Qty	Description
1	706224	1	Plug Handle
2	706222	1	Hook Handle
3	706220	1	Handle Grip
4	706226	1	Button Snap
5	706157	1	Screw
6		1	#6 Flat Washer
7	706214	1	Spring
8	706210	1	Hook Base
9	706212	1	Hook Arm
10		1	#6-32 X .50 Screw
11	706206	1	Cord Hook
12	706202	1	Handle Tube
13	706228	1	Button Cap
14	706204	1	Button Snap
15	706234	1	Nutsert
16	706216	1	Clip
17	706218	1	Screw
18	706232	1	Formed Wire
19	706230	1	Bag Strap Assembly
20	706194	1	Bag Clip
21	706192	1	Collector Bag
**	706196	1	Disposable Bags (pkg of 10)
22	706172	1	Bag Band
23	706175	1	Gasket
24	706190	1	Collar
25	706188	1	Gasket
26	706186	1	Plate
27	706174	1	Neck
28	706178	1	Button
29	706180	1	Flat Spring
30	706184	1	Torsion Spring
31	706182	1	Wire
32	706176	1	Tube
33	706157	2	Screw

** = Optional Accessory, not included



POWER BRUSH ASSEMBLY

Item	Part No.	Qty	Description
1	018404	1	Decal, Advance
2	706122	1	Shroud Cover
3	706166	1	Mount Gasket
4	706111	2	Panel Mount
5	706127	1	Left Side Panel
6	702192	1	Brush Assembly
7	702184	1	Belt
8	706120	1	Housing
9	706157	8	Screw
10	706124	1	Bumper
11	706132	1	Shoe assembly
12	706159	3	Screw
13	706236	2	Screw
14	015400	1	Name Plate
15	706125	2	Washer
16	706051	2	On-Sert
17	706165	1	Gasket
18	706123	2	Clip
19	706128	1	Right Side Panel
20	706116	2	Wheel
21	706168	2	Axle
22	706018	1	Strain Relief 100V, 230V
	706074	1	Strain Relief 115V
23	706014	1	Cord Set 100V, 230V
	706158	1	Cord Set 115V
24	706167	2	Gasket
25	706163	1	Gasket
26	706130	2	Clamp
27	706102	1	Adapter Swivel Assembly
28	706161	1	Gasket
29	706028	2	Brush
30	706016	1	Motor 100V
	706126	1	Motor 115V
	706238	1	Motor 230V
31	706109	2	Foam Filter
32	015314	1	Decal Warning



VACUUM UNIT ASSEMBLY

Item	Part No.	Qty	Description
1	018400	1	Decal, Advance
2	706064	1	Cover
3	706084	1	Bar
4	706094	1	Spring
5	706062	1	Upper Shroud 100V, 115V
	706034	1	Upper Shroud 230V
6	018402	1	Decal, Mighty Maid
7	706097	8	Screw
8	706083	3	Washer
9	706095	3	Washer
10	745699	3	O-Ring
11	706013	1	Motor 100V
	706069	1	Motor 115V
	706032	1	Motor 230V
12	320595	1	Bushing
13	706072	1	Gasket
14	706056	1	Base
15	706052	1	Fan
16	706066	1	Bumper
17	706090	1	Gasket
18	706058	1	Lower Base
19	706060	1	Lower Shroud
20	706098	2	Screw
21	706099	4	Screw
22	015365	1	Name Plate
23	706157	8	Screw
24	706026	2	Motor Brush
25	001986	1	Nut 230V
26	001952	1	Shakeproof Washer 230V
27	706036	1	Terminal Block 230V
28	706040	2	Wire Assembly 230V
29	002251	1	Screw 230V
30	706096	1	Switch 100V, 115V
	706038	1	Switch 230V
31	706082	1	Clamp
32	706073	1	Receptacle 100V, 230V
	706075	1	Receptacle 115V
33	015314	1	Decal, Warning
34	706018	1	Strain Relief 100V
	706074	1	Strain Relief 115V
	706037	1	Strain Relief 230V
35	706014	1	Cord Set 100V
	706077	1	Cord Set 115V
	706033	1	Cord Set 230V
36	706091	1	Grounding Clip 100V, 115V (not shown)
**	702511	1	D Shaped Adapter for Accessory Tools TSB 504 - G10

** = Optional Accessory, not included