



Electronic Service Manuals

This electronic document is provided as a service to our customers. We do not create the contents of the information contained in this document. Should you have detailed questions pertaining to the information contained in this document, you may contact Michco, or the manufacturer which provided the original information in this electronic deliverable. Michco's only part in this electronic deliverable was the electronic assembly process.

You may contact Michco through the following methods:
Phone (517) 484-9312 or (800) 331-3339 MI, OH, IN only
2011 N. High St. -- Lansing, Michigan -- 48906
Fax: (517) 484-9836
Email: CustServ@Michco.com
Web site: www.Michco.Com
Parts Web site: www.FloorMachineParts.Com

Order Parts on Line at:
www.FloorMachineParts.Com

Directly to Parts & Service:
By Email: **Shop@Michco.com**
By Fax: (517) 702-2041
By Voice: Use numbers above.

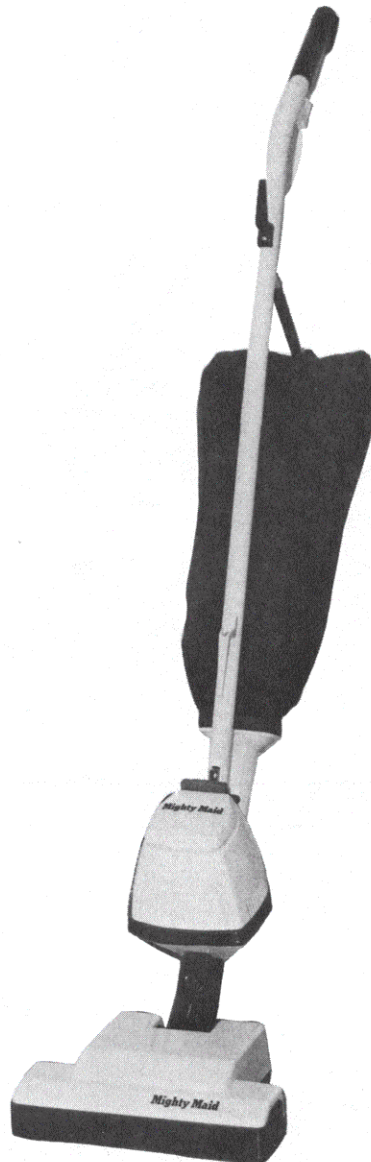
Serving the Cleaning Industry Since 1922

Notice: All copyrighted material remains property of original owners, all trademarks are property of respective owners. Manuals are subject to Manufacturer's reproduction limitations. Originals or reproductions were provided by manufacturers through a request. We make no warranty as to the correctness of information provided in this document and you assume all risk.

PARTS LIST

Vacuum
MIGHTY MAID

MODEL: MM120C
FORM NO. 042 046
JANUARY, 1980



ADVANCE
MACHINE COMPANY

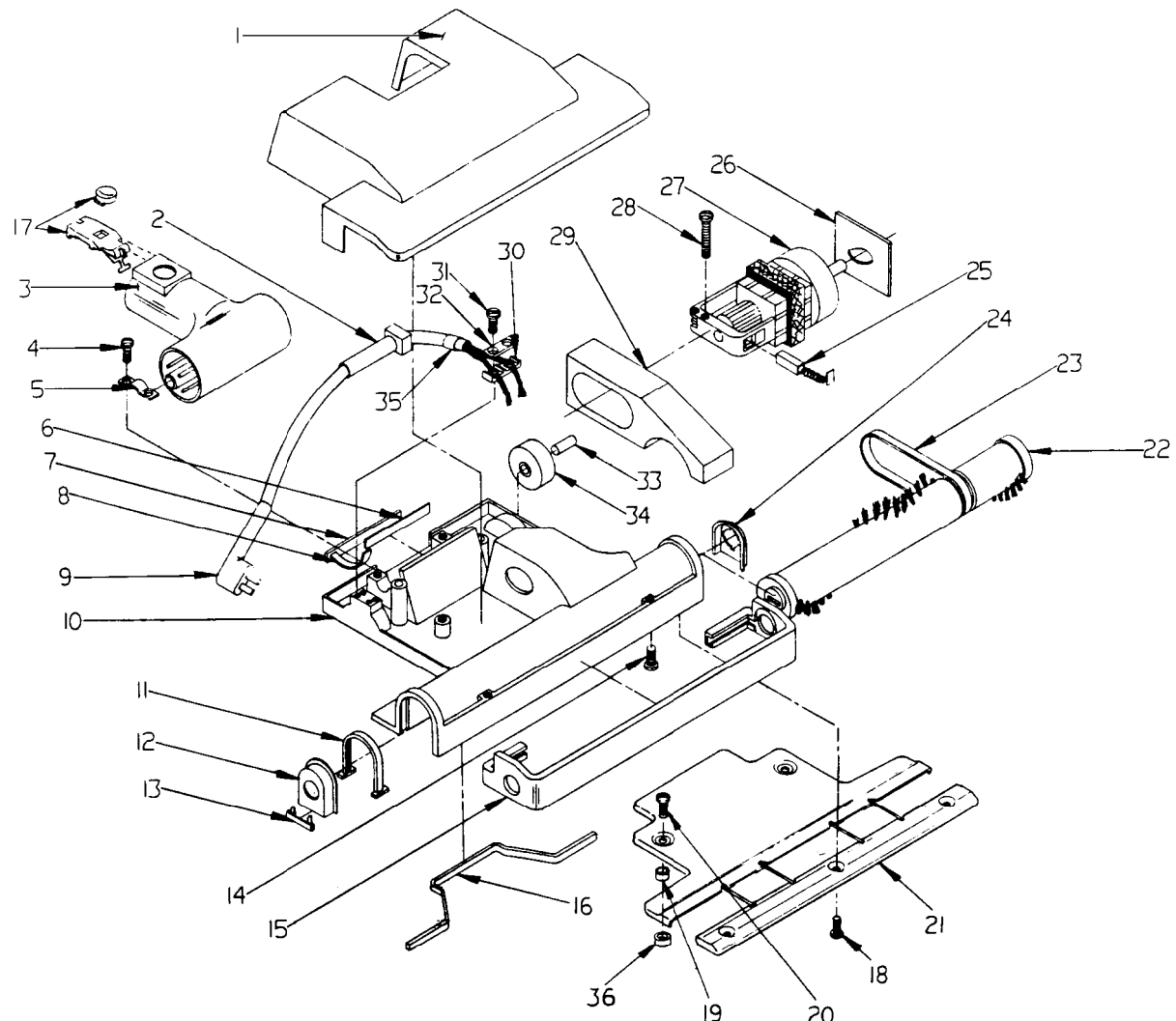
INTERNATIONAL HEADQUARTERS, Spring Park, Minnesota 55384 USA
EUROPE, 4 Rue Jean Engling, Dommeldange, Luxembourg
CANADA, 45 Iron Street, Rexdale, Ontario



Index for Form Number 042046

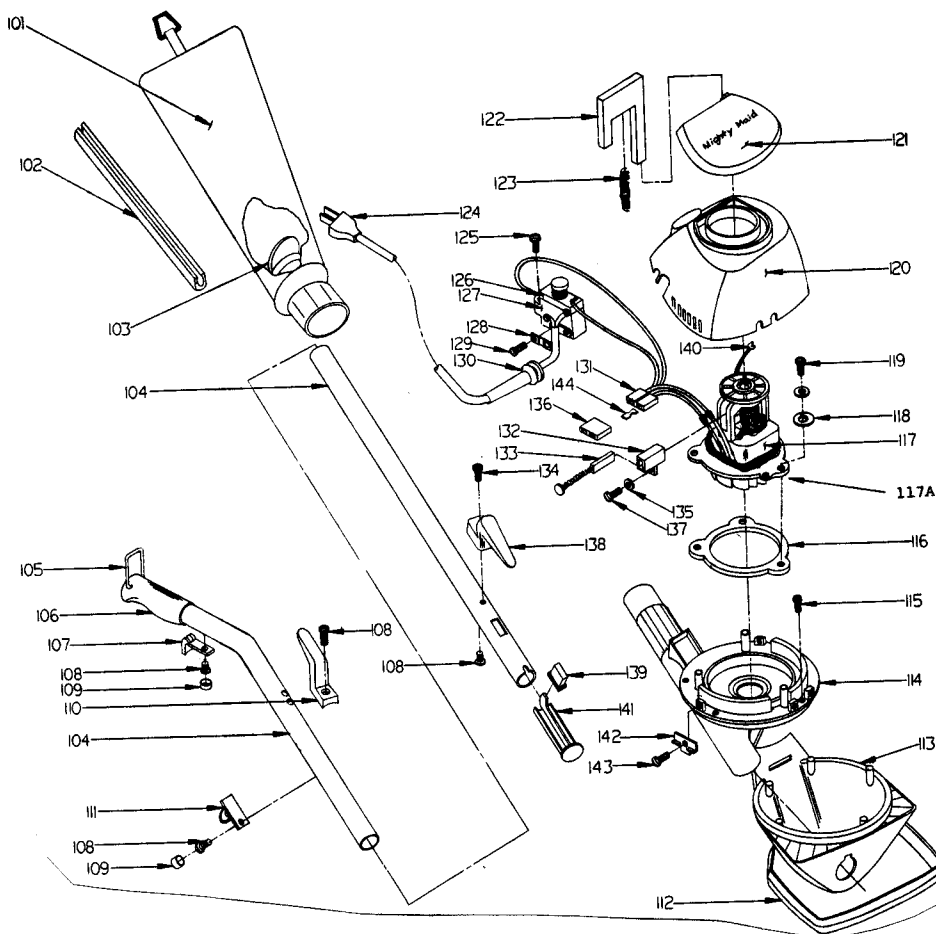
Description	Location	page
Base	C7	1
Vacuum Motor, Bag & Handle	C8	2

BRUSH HOUSING



Item	Part No.	Qty	Description	Item	Part No.	Qty	Description
1	702180	1	Shroud Cover	19	702195	2	Washer
2	702189	1	Strain Relief	20	702194	2	Screw
3	702182	1	Swivel Adapter	21	702216	1	Plate and Shoe Assembly
4	702210	4	Screw	22	702192	1	Brush Assembly
5	702070	2	Clamp	23	702184	1	Belt
6	702203	1	Gasket	24	702188	1	End Cap, Right
7	702202	1	Gasket	25	700961	1	Carbon Brush Set (2 to a set)
8	702201	2	Gasket	26	702206	1	Gasket
9	702044	1	Cord Set	27	702193	1	Motor 115V
10	702183	1	Housing	28	702211	1	Screw
11	702196	2	Gasket	29	702198	1	Gasket
12	702187	1	End Cap, Left	30	702185	1	Terminal Block
13	702197	2	Retaining Clipt	31	702209	2	Screw
14	702204	4	Screw	32	702199	1	Clamp
15	702190	1	Bumper	33	702191	2	Axle
16	702200	1	Gasket	34	700924	2	Wheel
17	702218	1	Latch Assembly	35	702205	1	Sleeve
18	702208	3	Screw	36	702051	2	Nut, On-Sert #10-24

HANDLE AND VAC ASSEMBLY



Item	Part No.	Qty	Description	Item	Part No.	Qty	Description
101	700856	1	Bag, Cloth	123	700879	1	Spring
**	700900	1	Disposable Bag (pkg of 10)	124	700935	1	Cord Set
102	700903	1	Clip, Bag	125	702212	1	Screw
103	702004	1	Valve, Dust	126	702213	1	Switch Cover
104	700853	1	Handle Assembly	127	702018	1	Switch, Vac Motor
105	700907	1	Hook	128	700952	1	Bracket
106	700919	1	Grip, Handle	129	700940	2	Screw
107	702106	1	Cord Handle	130	702020	1	Strain Relief
108	700991	5	Screw	131	702024	1	Receptacle
109	702006	2	Cap, Screw	132	700829	2	Holder, Brush
110	700981	1	Hook, Cord	133	700901	2	Brush, Vac Motor
111	700979	1	Clip, Cloth Bag	134	702068	1	Screw
112	702022	1	Bumper, Vac Unit	135	700910	2	Washer
113	702012	1	Shroud	136	702214	1	Receptacle
114	700861	1	Base, Vac Unit	137	700898	2	Screw
115	700963	5	Screw	138	702002	1	Hook, Cord
116	702034	1	Gasket	139	702108	1	Push Button
117	702026	1	Motor Assembly, 115V (includes 117A)	140	702030	1	Spring, Tension
117A	702100	1	Fan, Motor	141	702110	1	Impeller (Bracket)
118	700852	3	Washer	142	700904	6	Clamp
119	700876	3	Screw	143	700916	6	Screw
120	702016	1	Shroud	144	702215	2	Clamp
121	702014	1	Cover, Vac Unit	**	702511	1	Adapter TSB 504 - G10
122	700912	1	Button, On-Off				

** = Optional Accessory, not included