



Electronic Service Manuals

This electronic document is provided as a service to our customers. We do not create the contents of the information contained in this document. Should you have detailed questions pertaining to the information contained in this document, you may contact Michco, or the manufacturer which provided the original information in this electronic deliverable. Michco's only part in this electronic deliverable was the electronic assembly process.

You may contact Michco through the following methods:
Phone (517) 484-9312 or (800) 331-3339 MI, OH, IN only
2011 N. High St. -- Lansing, Michigan -- 48906
Fax: (517) 484-9836
Email: CustServ@Michco.com
Web site: www.Michco.Com
Parts Web site: www.FloorMachineParts.Com

Order Parts on Line at:
www.FloorMachineParts.Com

Directly to Parts & Service:
By Email: **Shop@Michco.com**
By Fax: (517) 702-2041
By Voice: Use numbers above.

Serving the Cleaning Industry Since 1922

Notice: All copyrighted material remains property of original owners, all trademarks are property of respective owners. Manuals are subject to Manufacturer's reproduction limitations. Originals or reproductions were provided by manufacturers through a request. We make no warranty as to the correctness of information provided in this document and you assume all risk.

Go-Vac™



PARTS LIST

Advance MODELS 56100349, 56100432

This parts list is for machines after serial number 470875

All models covered in this manual are OBSOLETE

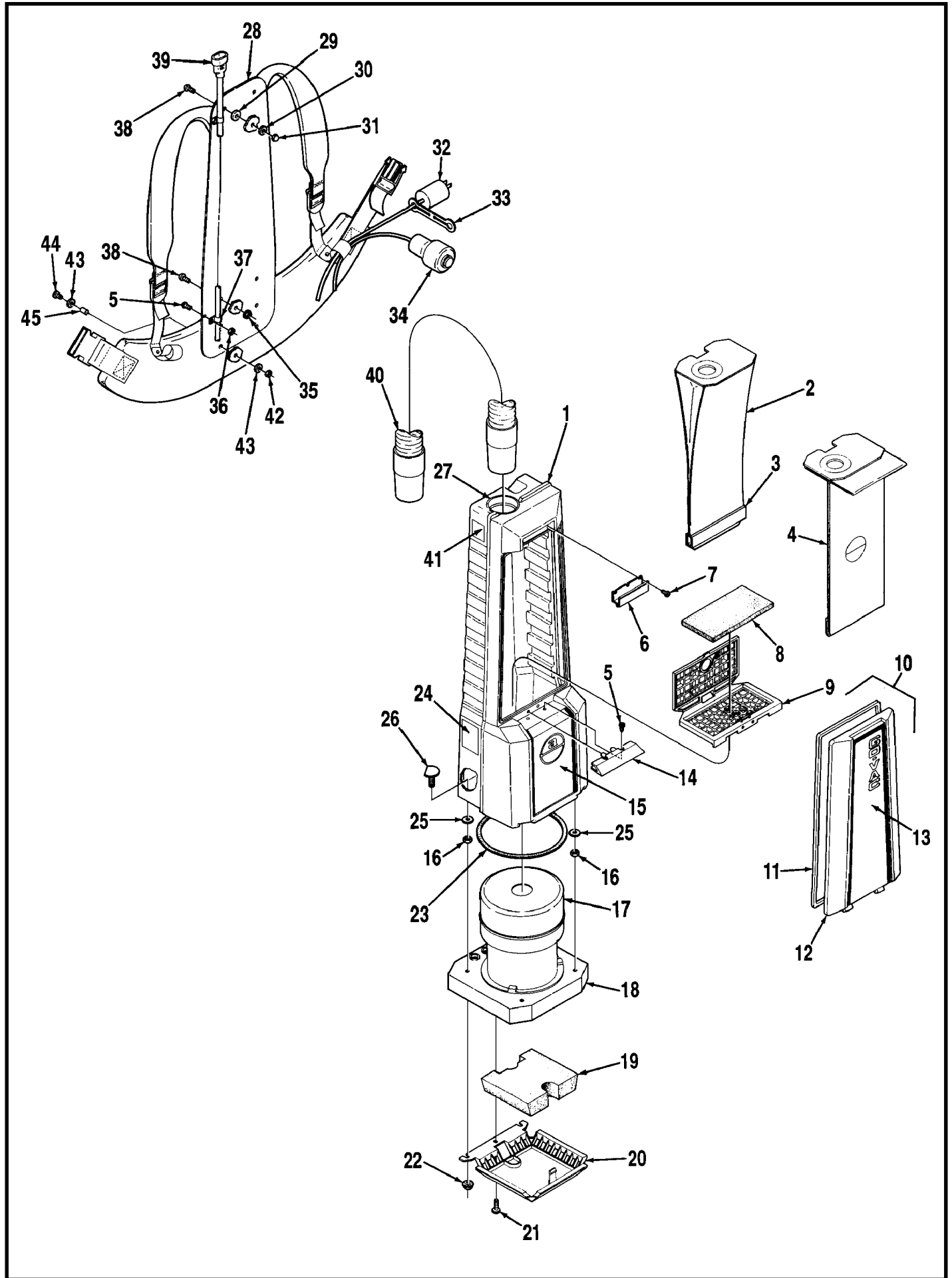
TABLE OF CONTENTS

DESCRIPTION	PAGE
Housing and Harness	1-2
Vacuum Motor Assembly	3-4
Wiring Diagrams	5-6
Optional Accessories	7

WHEN ORDERING PARTS

- * Use the 8 digit numbers from the "Part No." columns in this parts list.
- * Specify the model and serial number of the machine.
- * Use the space below to record the model and serial number for future reference.

Model _____ Serial No. _____

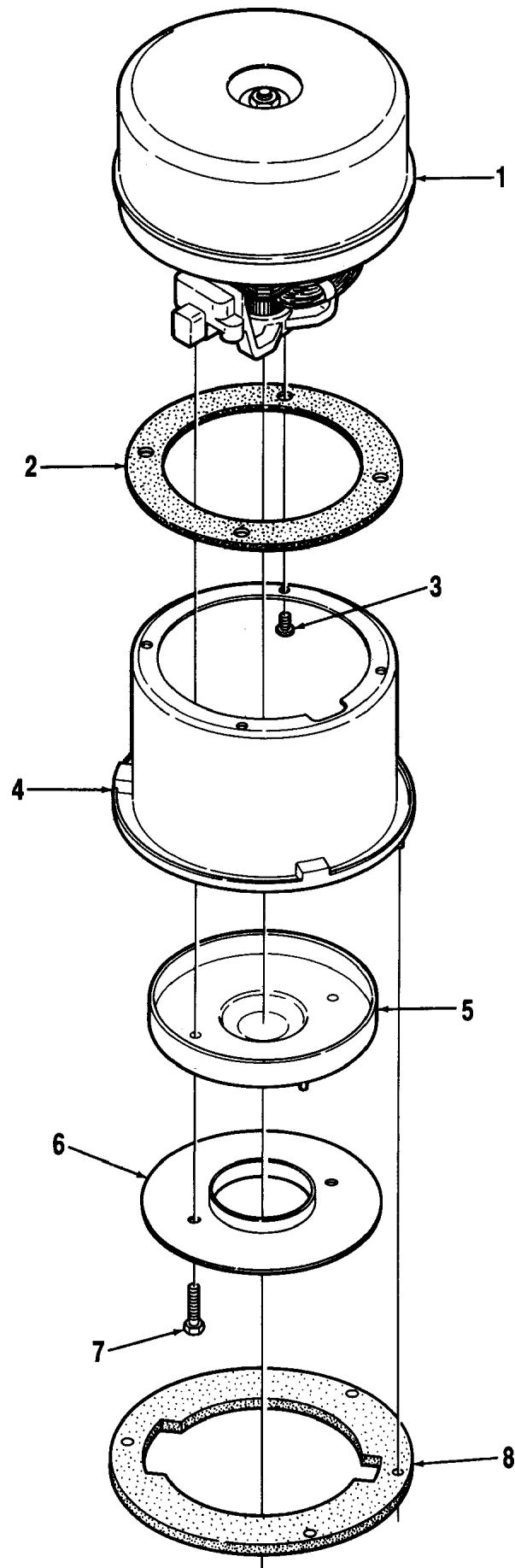


GO-VAC

Item	Part No.	Qty	Description	Item	Part No.	Qty	Description
1	56100371	1	Housing	29	56151807	2	Washer
2	56323195	1	Cloth Bag	30	56002098	2	1/4 Flat Washer
3	56320676	1	Clip	31	56172066	2	1/4-20 SS Acorn Nut
4	56323153	1	Paper Bag, pkg of 6**	32	56100352	1	Power Cord (std)
*	56323251	1	Bio-Bag™ (pkg og 6) (optional accessory, not included)		56100436	1	Power Cord (400hz)
5	56002124	4	#10-24 x 5/8 Screw	33	56100369	1	Plug Retainer
*	56002832	2	#10-24 Nut, Hex Nyl Loc-Thin	34	56100356	1	Switch Assembly (std)
6	56323143	1	Latch TSB 561, G-9		56100437	1	Switch Assembly (400hz)
7	56003066	3	Screw		56323741	1	Switch
8	56323158	1	Internal Filter		56100359	1	Right Switch Housing
9	56323161	1	Internal Filter Housing		56100360	1	Left Switch Housing
10	56100365	1	Cover Assy (#11-13) TSB 562, G-8		56320307	1	Cord
11	56323165	1	Gasket		56900484	2	Screw
12	56323151	1	Cover		56706157	1	Screw
13	56015180	1	Decal, Go-Vac	35	56002840	2	1/4-20 Nut, Hex Nyl Loc-Thin
14	56323146	1	Stop	36	56328855	2	#10-24 Nut Clamp
15	56014945	1	Decal, Housing	37	56300152	2	P-Clamp
16	56002025	4	5/16-18 Nut	38	56002066	4	1/4-20 x 5/8 Screw
17	56323172	1	Vacuum Motor Assembly	39	56100354	1	Cord Set
18	56100361	1	Deflector	40	56100363	1	Hose
*	56163015	3	Strain Relief	41	56015160	1	Decal, Power (std)
19	56323275	1	Exhaust Filter	42	56002768	4	#10-24 Nut, Hex Nyl Loc
20	56323160	1	Exhaust Filter Retainer	43	56203874	8	Washer
21	56900233	3	#10-24 x 1 Screw	44	56002231	4	#10-24 x 1-1/2 Screw
22	56002826	4	5/16-18 Nut, Hex Nyl Loc-Thin	45	56263856	4	Spacer
23	56323157	1	Gasket	*	56100355	1	Extension Cord
24	56014369	1	Decal, Warning	*	56320319	3	Strain Relief
25	56323244	4	Urethane Washer				
26	56323258	4	5/16-18 Stud				
27	56323142	1	Bag Fill Tube				
28	56100370	1	Harness				

* = Not Shown

** = One sample bag included with machine



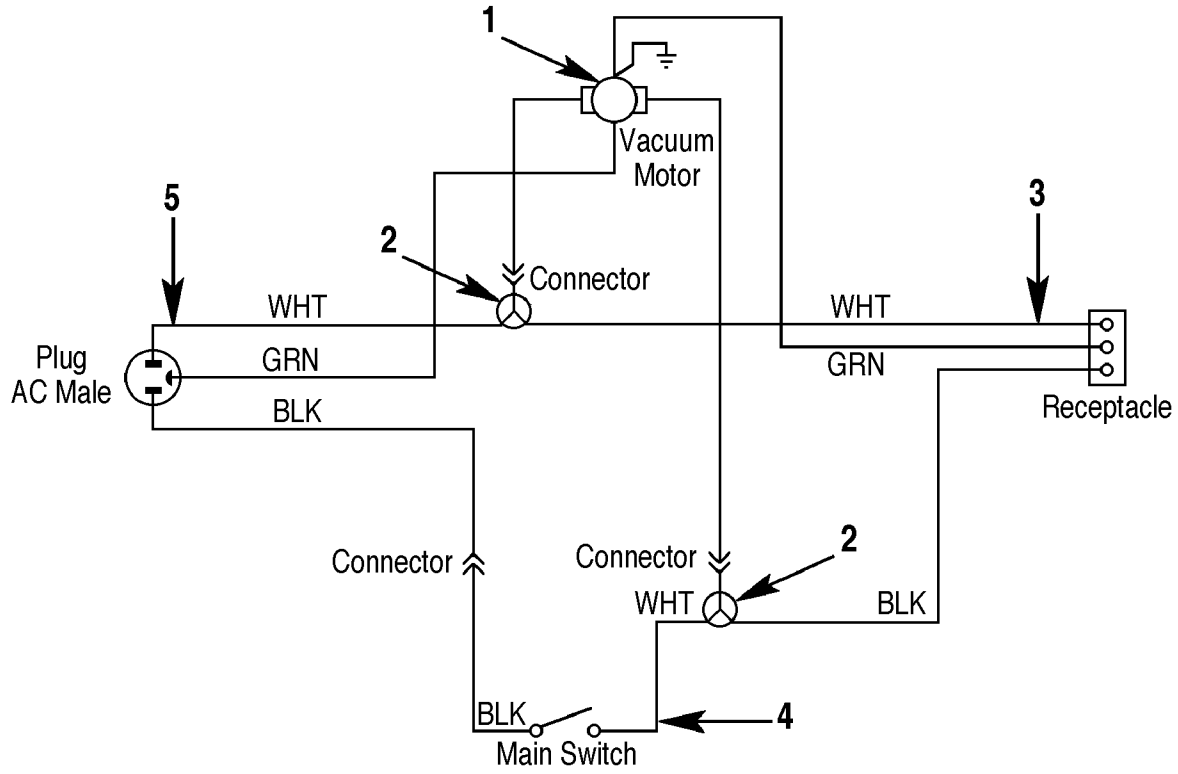
VACUUM MOTOR

Item	Part No.	Qty	Description
	56323172	1	Vacuum Motor Assembly (std)
	56100438	1	Vacuum Motor Assembly (400hz)
1	56323177	1	Vacuum Motor
*	56203518	1	Carbon Brush Set for 323177
2	56209325	1	Motor Gasket
3	56002518	4	#10-24 x 3/8 HP-5 Screw
4	56323173	1	Vacuum Motor Cup (std)
	56100435	1	Vacuum Motor Cup (400hz)
5	56323044	1	Inner Baffle
6	56323009	1	Outer Baffle NOTE
7	56002540	2	#10-24 x 3/4 HP-5 Screw
8	56323064	1	Cup Gasket
*	56250150	1	Ground Wire

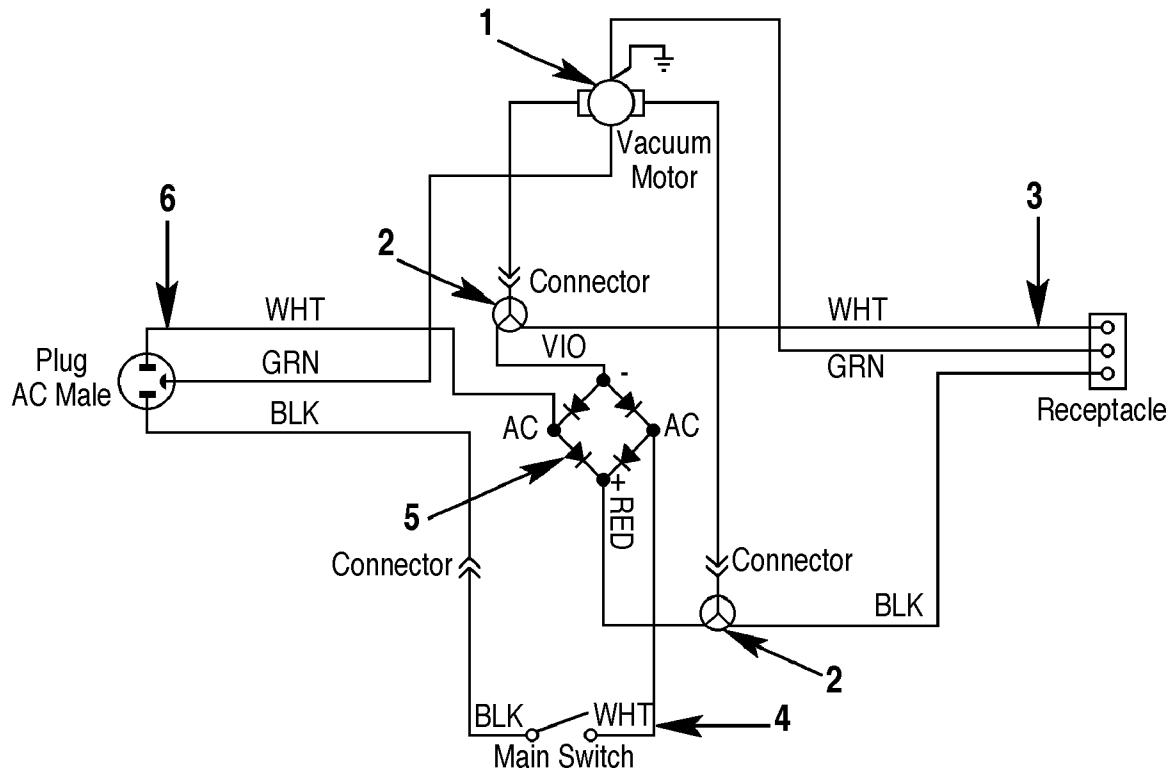
* = Not Shown

NOTE: Install the lip on outer baffle, item #6, turned in towards the motor.

120Vac (std)



120Vac (400hz)



120VAC (STD) WIRING DIAGRAM

Item	Part No.	Qty	Description
1	56323172	1	Vacuum Motor Assembly
	56323177	1	Vacuum Motor
*	56203518	1	Carbon Brush Set for 56323177
2	56472272	2	1/4 Receptacle Tab
3	56100354	1	Cord Set
4	56100356	1	Main Switch Assembly
	56323741	1	Main Switch
	56320307	1	Cord
5	56100352	1	Power Cord
*	56100355	1	Extension Cord
* = Not Shown			

120VAC (400HZ) WIRING DIAGRAM

Item	Part No.	Qty	Description
1	56100438	1	Vacuum Motor Assembly
	56323177	1	Vacuum Motor
*	56203518	1	Carbon Brush Set for 56323177
2	56472272	2	1/4 Receptacle Tab
3	56100354	1	Cord Set
4	56100437	1	Main Switch Assembly
	56323741	1	Main Switch
	56320307	1	Cord
5	56180163	1	Rectifier, 35 Amp
6	56100352	1	Power Cord
*	56100355	1	Extension Cord
* = Not Shown			



Nilfisk-Advance, Inc.
14600 21st Avenue North
Plymouth, MN, 55447-3408
www.nilfisk-advance.com
Phone: 800-989-2235
Fax: 800-989-6566
©2001 Nilfisk-Advance, Inc.,
Plymouth, MN 55447-3408
Printed in the U.S.A.