



# Electronic Service Manuals

This electronic document is provided as a service to our customers. We do not create the contents of the information contained in this document. Should you have detailed questions pertaining to the information contained in this document, you may contact Michco, or the manufacturer which provided the original information in this electronic deliverable. Michco's only part in this electronic deliverable was the electronic assembly process.

You may contact Michco through the following methods:  
Phone (517) 484-9312 or (800) 331-3339 MI, OH, IN only  
2011 N. High St. -- Lansing, Michigan -- 48906  
Fax: (517) 484-9836  
Email: [CustServ@Michco.com](mailto:CustServ@Michco.com)  
Web site: [www.Michco.Com](http://www.Michco.Com)  
Parts Web site: [www.FloorMachineParts.Com](http://www.FloorMachineParts.Com)

Order Parts on Line at:  
**[www.FloorMachineParts.Com](http://www.FloorMachineParts.Com)**

Directly to Parts & Service:  
By Email: **[Shop@Michco.com](mailto:Shop@Michco.com)**  
By Fax: (517) 702-2041  
By Voice: Use numbers above.

**Serving the Cleaning Industry Since 1922**

Notice: All copyrighted material remains property of original owners, all trademarks are property of respective owners. Manuals are subject to Manufacturer's reproduction limitations. Originals or reproductions were provided by manufacturers through a request. We make no warranty as to the correctness of information provided in this document and you assume all risk.

# CARPETWIN 20

MODEL 200 AFTER S.N. 969 694

MODEL 200-5 AFTER S.N. 969 844

FORM NO. 042 104

MAY, 1984

# PARTS LIST



© 1984 Advance Machine Company, Spring Park, MN 55384-0275

**ADVANCE**  
**MACHINE COMPANY**

INTERNATIONAL HEADQUARTERS, Spring Park, Minnesota 55384-0275

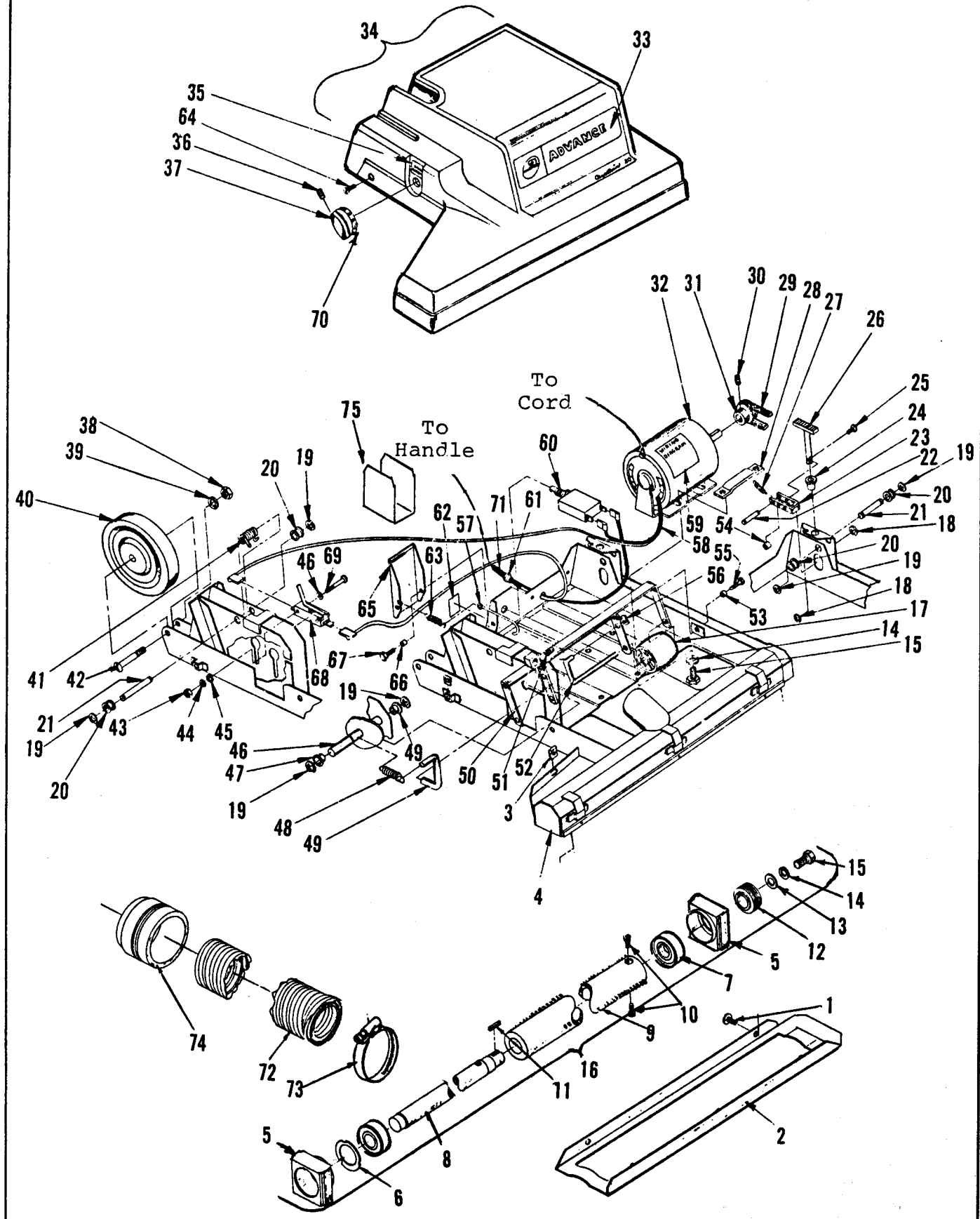
EUROPE, 4 Rue Jean Engling, L-1466 Luxembourg

CANADA, 1295 Crestlawn Drive, Mississauga, Ontario L4W 1A9



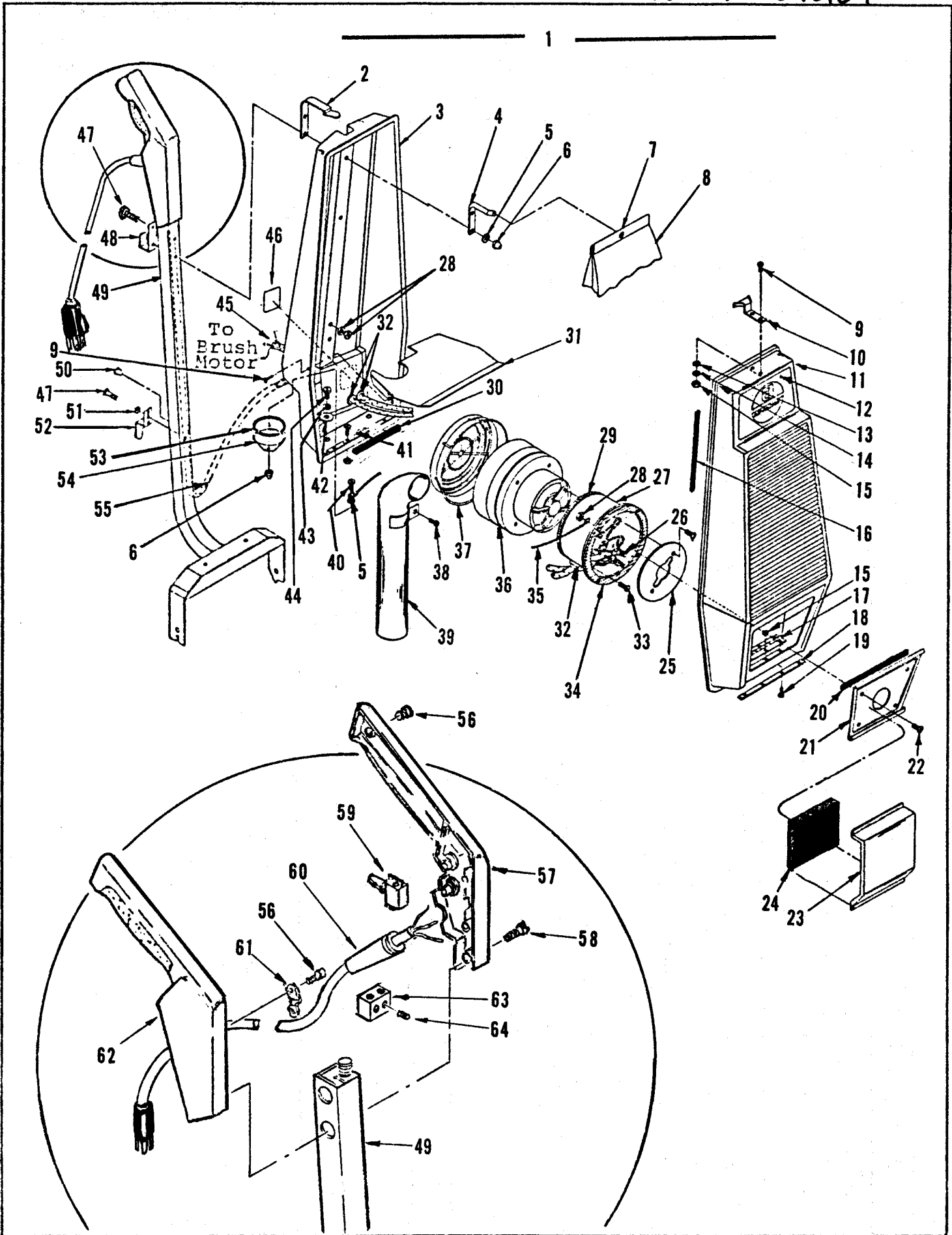
# INDEX FOR FORM NUMBER 042104

<u>Description</u>	<u>Location</u>	<u>Page</u>
Bag Housing	C10	3
Base	C8	1
Motor, Vacuum	C12	5
Wiring Diagrams	C13	6



## BASE ASSEMBLY

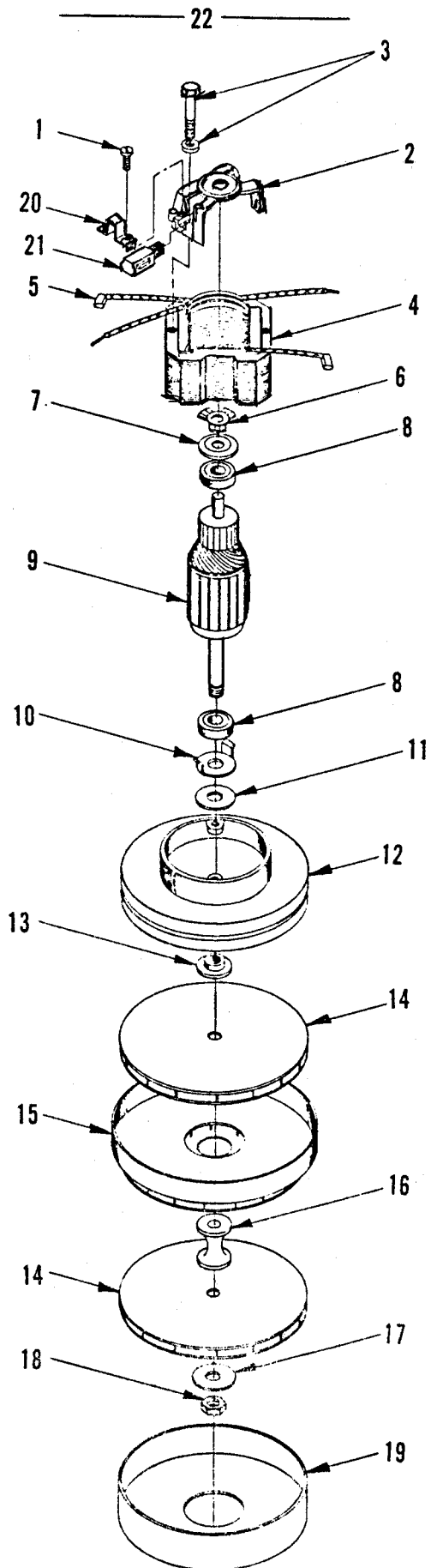
ITEM	PART NO	QTY	DESCRIPTION	ITEM	PART NO	QTY	DESCRIPTION
1		6	SCREW, PAN HD. #10-32 X 3/8				
2	329 934	1	SHOE, BASE				
3	328 855	5	NUT, SPEED #10-24				
4	326 403	1	BASE				
5	322 420	2	BLOCK, BEARING				
6	320 153	1	SPRING, LOADING				
7	372 773	2	BEARING, BRUSH				
8	327 166	1	TUBE ASSEMBLY				
9	327 255	1	BRUSH 20"				
10		2	SCREW, SOC. HD. #10-24 X 1/2				
11	109 258	1	KEY, SHAFT				
12	327 182	1	PULLEY, POLY-V				
13		1	WASHER, FLAT 5/16				
14		5	LOCKWASHER 5/16				
15		5	SCREW, HEX HD. 5/16-18 X 5/8				
16	327 272	1	BRUSH ASSEMBLY 20"				
17	325 244	2	ROLLER, HEIGHT ADJ.				
18	321 125	2	RING, RETAINING				
19	321 427	6	RING, RETAINING				
20	329 098	4	BEARING, NYLINER				
21	329 054	2	PIN, FORK PIVOT				
22	328 707	1	PIN, LATCH PIVOT				
23	328 561	1	LATCH ASSEMBLY				
24	323 723	1	BUSHING				
25		1	SCREW, #10-32 X 1/2				
26	328 562	1	FOOT PEDAL ASSEMBLY				
27	328 790	1	SPRING, FOOT PEDAL				
28	218 065	2	PLATE, NUT				
29	327 476	1	BELT, POLY-V				
30		1	SCREW, SOC. HD. 5/16-18 X 5/16				
31	327 131	1	PULLEY, MOTOR				
32	238 147	1	MOTOR, 1/4 HP 115V				
	238 155	1	MOTOR, 1/4 HP 230V				
	238 139	1	MOTOR, 1/4 HP 115V/50 HZ.				
33	014 305	1	DECAL, ADVANCE				
34	326 990	1	SHROUD ASSEMBLY				
35	023 290	1	DECAL, BRUSH ADJ.				
36		1	SCREW, SOCKET SET #8-32 X 3/8				
37	324 502	1	KNOB, ADJUSTMENT				
38		2	NUT, HEX 5/16-18				
39		2	LOCKWASHER 5/16				
40	327 530	2	WHEEL, 4"				
41	321 397	1	SPRING, TORSION				
42		2	SCREW, PAN HD. 5/16-18 X 1 3/4				
43		2	NUT, HEX #6-32				
44		2	LOCKWASHER, #6				
45		4	WASHER #6				
46	328 058	1	CAM				
47	329 105	2	BEARING, NYLINER				
48	330 642	1	SPRING, ADJUSTMENT				
49	327 657	1	LEVER, AXEL				
50	327 607	1	AXEL				
51		1	SCREW, SET 5/16-18 X 3/8				
52	327 668	2	AXEL, ROLLER				
53	151 106	2	BUSHING, AXEL				
54	328 758	1	SPACER, PEDAL				
55		2	SCREW, HEX HD. 1/4-20 X 3/4				
56	325 227	2	NUT, STUD				
57	329 142	1	HOOK				
58	327 413	1	CORD ASSEMBLY 18/2 X 12 (115V)				
	327 415	1	CORD ASSEMBLY 16/3 X 16 (230V)				
59	014 335	1	DECAL, WIRING 115V				
	014 337	1	DECAL, WIRING 230V				
60	329 177	1	CIRCUIT BREAKER 6.0A 115V				
	329 185	1	CIRCUIT BREAKER 2.7A 230V				
61	163 015	1	STRAIN RELIEF				
62	014 362	1	DECAL, RESET				
63	378 963	1	SPRING, GUARD				
64		4	SCREW, FLAT HD. #10-24 X 1/2				
65	329 137	1	GUARD, HOSE				
66	151 092	2	SPACER, GUARD				
67		2	SCREW, HEX HD. #10-32 X 5/16				
68	327 450	1	SWITCH				
69		2	SCREW, PAN HD. #6-32 X 7/8				
70	023 288	1	DECAL, NUMBER				
71	325 390	1	CORD ASSEMBLY 18/3 X 34 115V				
72	330 090	1	HOSE 2"				
73	440 213	1	CLAMP, HOSE				
74	330 088	1	HOSE CUFF				
75	329 147	1	SHIELD, ELECTRICAL 115V				



## HANDLE ASSEMBLY

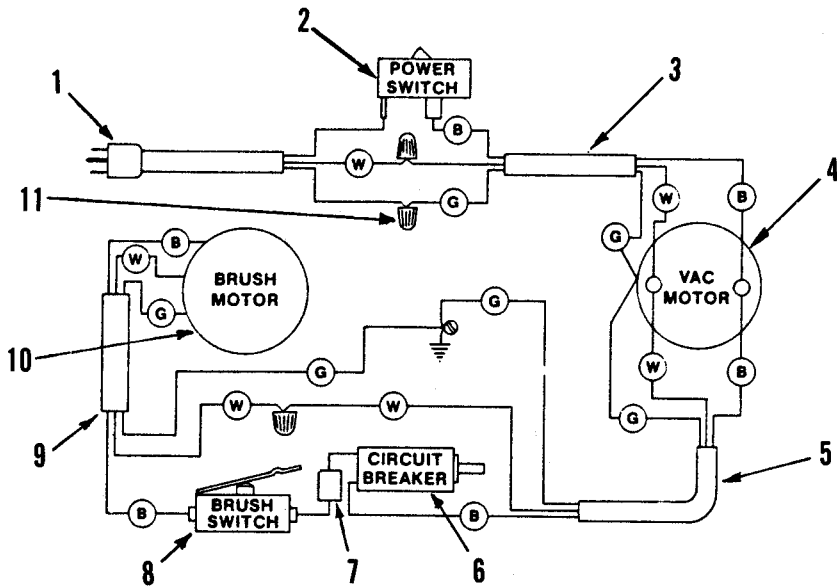
ITEM	PART NO	QTY	DESCRIPTION
1	329 402	1	HANDLE ASSEMBLY 115V
	329 406	1	HANDLE ASSEMBLY 230V
2	325 337	1	LATCH
3	325 322	1	HOUSING, BACK
4	325 164	1	HOOK, BAG
5		6	LOCKWASHER #10
6		6	NUT, ACORN #10-24
7	320 676	1	CLAMP, BAG
8	324 530	1	BAG, CLOTH (SUPPLIED)
	324 531	1	BAG, DISPOSABLE
9		6	SCREW, PAN HD. #6-32 X 5/16
10	325 250	1	STRIKE, LATCH
11	325 297	1	HOUSING, FRONT
12	014 060	1	DECAL, ADVANCE
13		2	WASHER, FLAT SAE #6
14		3	LOCKWASHER #6
15		11	NUT, HEX #6-32
16	325 324	1	GASKET 65-1/2
17	325 205	1	HINGE, HOUSING
18	325 208	1	PLATE, HINGE
19		5	SCREW, PAN HD. #6-32 X 3/8
20	200 754	1	GASKET, 22"
21	325 173	1	PLATE, EXHAUST FILTER
22		4	SCREW, HEX HD. #10-24 X 1 1/4 WITH WASHER
23	325 161	1	DEFLECTOR, AIR
24	325 163	1	FILTER, AIR
25	325 332	1	BAFFLE PLATE
26	321 737	1	WIRE NUT
27	325 120	1	CUP, VAC MOTOR
28		6	NUT, HEX #10-24
29	209 325	1	GASKET, MOTOR
30	385 448	1	GASKET 7"
31	325 138	1	SUPPORT, BAG
32	320 319	4	BUSHING, NYLON .312
33		4	SCREW, PAN HD. #10-24 X 1/2
34	325 148	1	GASKET, CUP
35	325 240	1	CABLE, STOP
36	300 381	1	MOTOR, VACUUM 115V
	300 411	1	MOTOR, VACUUM 230V
37	384 898	1	FILTER, VAC MOTOR
38		2	SCREW, PAN HD. #10-32 X 1/2
39	325 162	1	TUBE, INLET
40		2	SCREW, PAN HD. #10-24 X 5/8
41	325 207	1	PLATE, HOUSING
42	151 114	2	WASHER, FLAT 1/4
43		2	LOCKWASHER 1/4
44		2	SCREW, HEX HD. 1/4-20 X 3/8
45	325 390	1	CORD ASSY. 18/3 X 34 115V
	327 420	1	CORD ASSY. 16/3 X 34 230V
46	015 314	1	DECAL "WARNING"
47		3	SCREW, PAN HD. #10-24 X 1 5/8
48	325 168	1	HOOK, CORD
49	325 430	1	HANDLE
50	361 321	2	CATCH, BULLET
51		2	WASHER, FLAT #10
52	325 166	1	HOOK, SWIVEL CORD
53	325 157	1	O-RING
54	325 160	1	PLATE, KEEPER
55	325 480	1	CORD ASSEMBLY 18/3 X 48 115V
	325 482	1	CORD ASSEMBLY 16/3 X 48 230V
56	329 623	3	SCREW S/T #8-18 X 5/8
57	329 620	1	HANDLE, LEFT
58	329 622	6	SCREW, S/T #8-18 X 1"
59	207 077	1	SWITCH, TOGGLE 115V
	301 636	1	SWITCH, TOGGLE 230V
60	329 628	1	CORD SET ASSEMBLY 40' 115V
	300 227	1	CORD SET ASSEMBLY 40' 230V
61	329 616	1	CLAMP, CORD
62	329 621	1	HANDLE, RIGHT
63	329 612	1	CONNECTOR, GROUND 230V ONLY
64		2	SET SCREW #4-40 X 1/4 (230V ONLY)

ITEM	PART NO	QTY	DESCRIPTION
1	203 263	4	SCREW, COMMUTATOR
2	207 234	1	BRACKET, COMMUTATOR END 115V
	300 406	1	BRACKET, COMMUTATOR END 230V
3	203 494	2	SCREW
4		1	FIELD, 115V
		1	FIELD, 230V
5	203 585	2	CLIP, 230V
6	202 843	1	LOAD SPRING, 115V
7	203 513	1	DISC, 115V
	228 388	1	WASHER, 230V
8	228 051	2	BEARING (1 ONLY USED ON 230V)
9	203 549	1	ARMATURE
10	203 471	1	WASHER, CLAMPING
11	203 459	1	WASHER, FELT
12	301 184	1	BRACKET & SHELL ASSEMBLY, 115V
	301 185	1	BRACKET & SHELL ASSEMBLY, 230V
13	203 424	1	SPACER
14	208 191	2	FAN, ROTATING
15	207 268	1	FAN, STATIONARY
16	203 516	1	SPACER
17	203 432	1	WASHER
18	203 440	1	NUT
19	203 491	1	FAN SHELL
20	207 285	2	CLAMP, BRUSH
21	203 518	1 SET	BRUSH MECHANISM
22	300 411	1	MOTOR VACUUM, 230V



115 VOLT

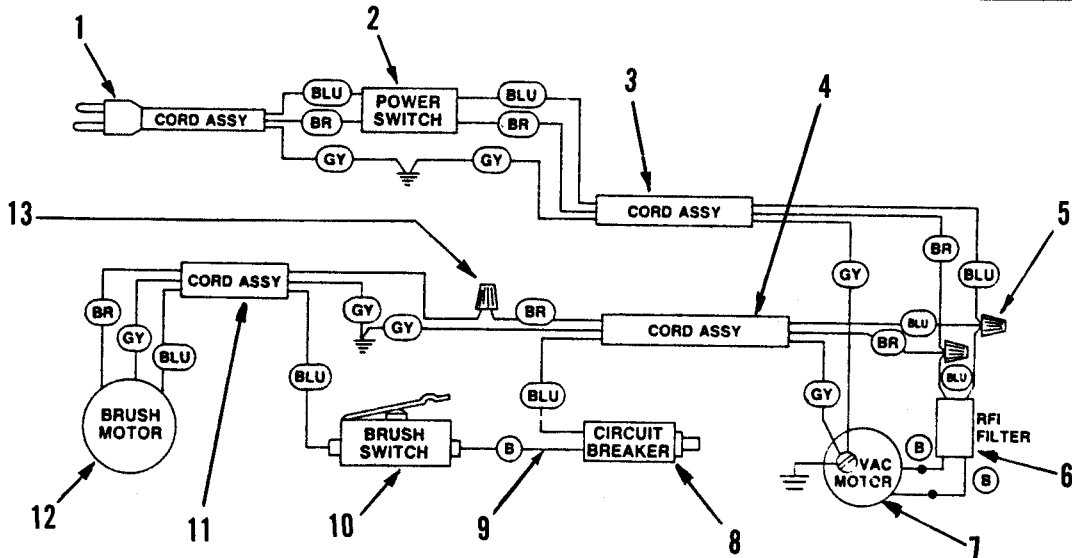
B - BLACK  
G - GREEN  
W - WHITE



ITEM	PART NO	QTY	DESCRIPTION
1	329 628	1	CORD ASSEMBLY
2	207 077	1	SWITCH, TOGGLE
3	325 480	1	CORD ASSEMBLY
4	300 381	1	MOTOR, VAC
5	325 390	1	CORD ASSEMBLY, 18/3 X 34
6	329 177	1	CIRCUIT BREAKER
7	329 149	1	WIRE ASSEMBLY
8	327 450	1	SWITCH, SNAP
9	327 413	1	CORD ASSEMBLY
10	238 147	1	MOTOR, BRUSH
11	321 737	3	CONNECTOR, WIRE

230 VOLT

BLU = BLUE  
BR = BROWN  
GY = GREEN/YELLOW  
B = BLACK



ITEM	PART NO	QTY	DESCRIPTION
1	300 227	1	CORD ASSEMBLY
2	301 636	1	SWITCH, TOGGLE
3	325 482	1	CORD ASSEMBLY
4	327 420	1	CORD ASSEMBLY
5	220 590	2	CONNECTOR, WIRE
6	322 966	1	FILTER, RFI
7	300 411	1	MOTOR, VAC
8	329 185	1	CIRCUIT BREAKER 2.7A
9	329 149	1	WIRE ASSEMBLY
10	327 450	1	SWITCH, SNAP
11	327 415	1	CORD ASSEMBLY
12	238 155	1	MOTOR, BRUSH
13	321 737	1	CONNECTOR, WIRE