



# Electronic Service Manuals

This electronic document is provided as a service to our customers. We do not create the contents of the information contained in this document. Should you have detailed questions pertaining to the information contained in this document, you may contact Michco, or the manufacturer which provided the original information in this electronic deliverable. Michco's only part in this electronic deliverable was the electronic assembly process.

You may contact Michco through the following methods:  
Phone (517) 484-9312 or (800) 331-3339 MI, OH, IN only  
2011 N. High St. -- Lansing, Michigan -- 48906  
Fax: (517) 484-9836  
Email: [CustServ@Michco.com](mailto:CustServ@Michco.com)  
Web site: [www.Michco.Com](http://www.Michco.Com)  
Parts Web site: [www.FloorMachineParts.Com](http://www.FloorMachineParts.Com)

Order Parts on Line at:  
**[www.FloorMachineParts.Com](http://www.FloorMachineParts.Com)**

Directly to Parts & Service:  
By Email: **[Shop@Michco.com](mailto:Shop@Michco.com)**  
By Fax: (517) 702-2041  
By Voice: Use numbers above.

**Serving the Cleaning Industry Since 1922**

Notice: All copyrighted material remains property of original owners, all trademarks are property of respective owners. Manuals are subject to Manufacturer's reproduction limitations. Originals or reproductions were provided by manufacturers through a request. We make no warranty as to the correctness of information provided in this document and you assume all risk.

# CARPETWIN 16XP

MODELS 323000, 323005, 323010

THIS PARTS LIST IS FOR MACHINES  
AFTER SERIAL NUMBER 280955.

# PARTS LIST



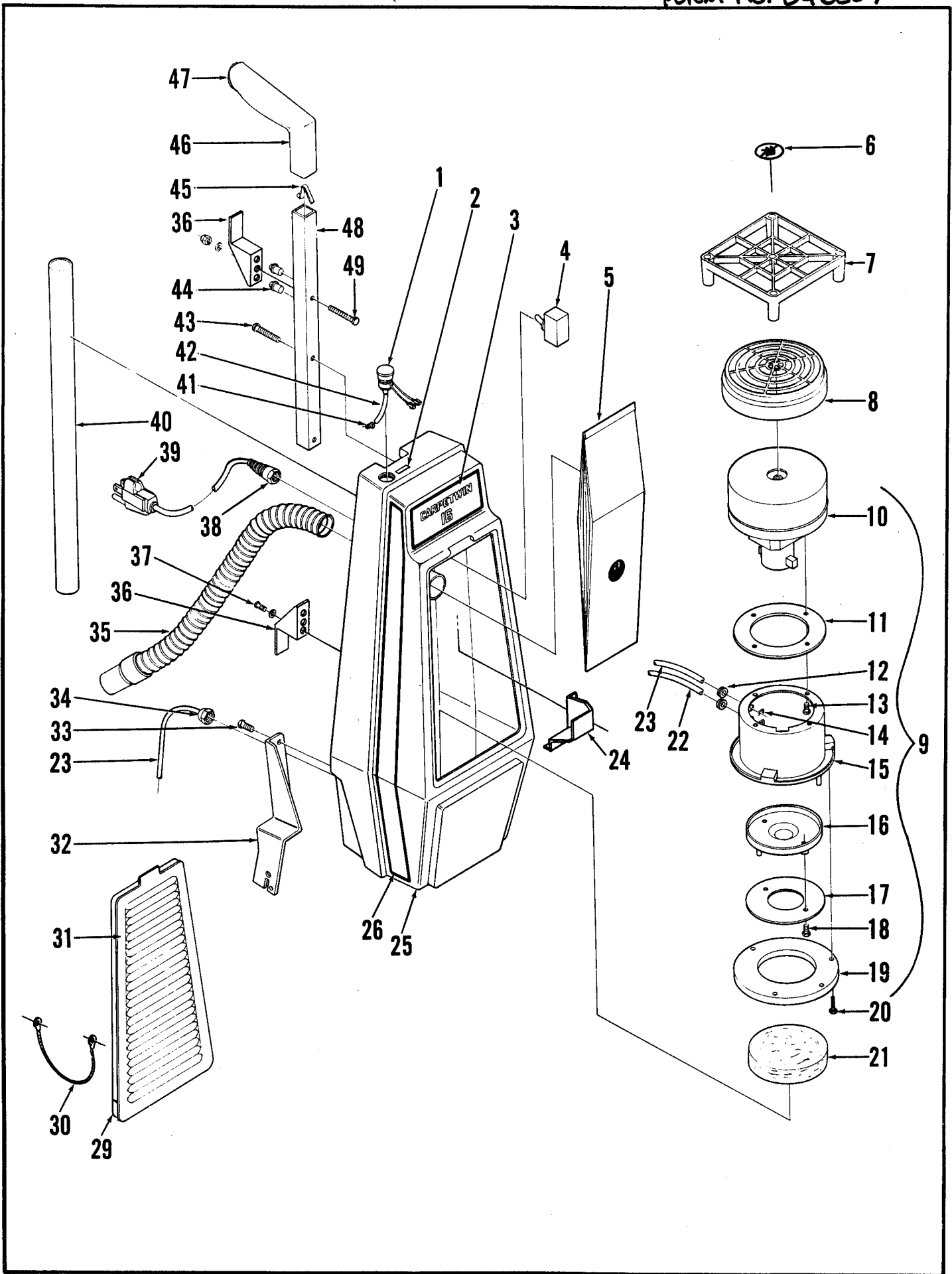
**ADVANCE**  
**MACHINE COMPANY**

INTERNATIONAL HEADQUARTERS, Plymouth, MN 55447-3408  
EUROPE, Llantrisant, Pontyclun, Mid-Glamorgan CF7 8YZ Wales, United Kingdom  
CANADA, 1295 Crestlawn Drive, Mississauga, Ontario L4W 1A9



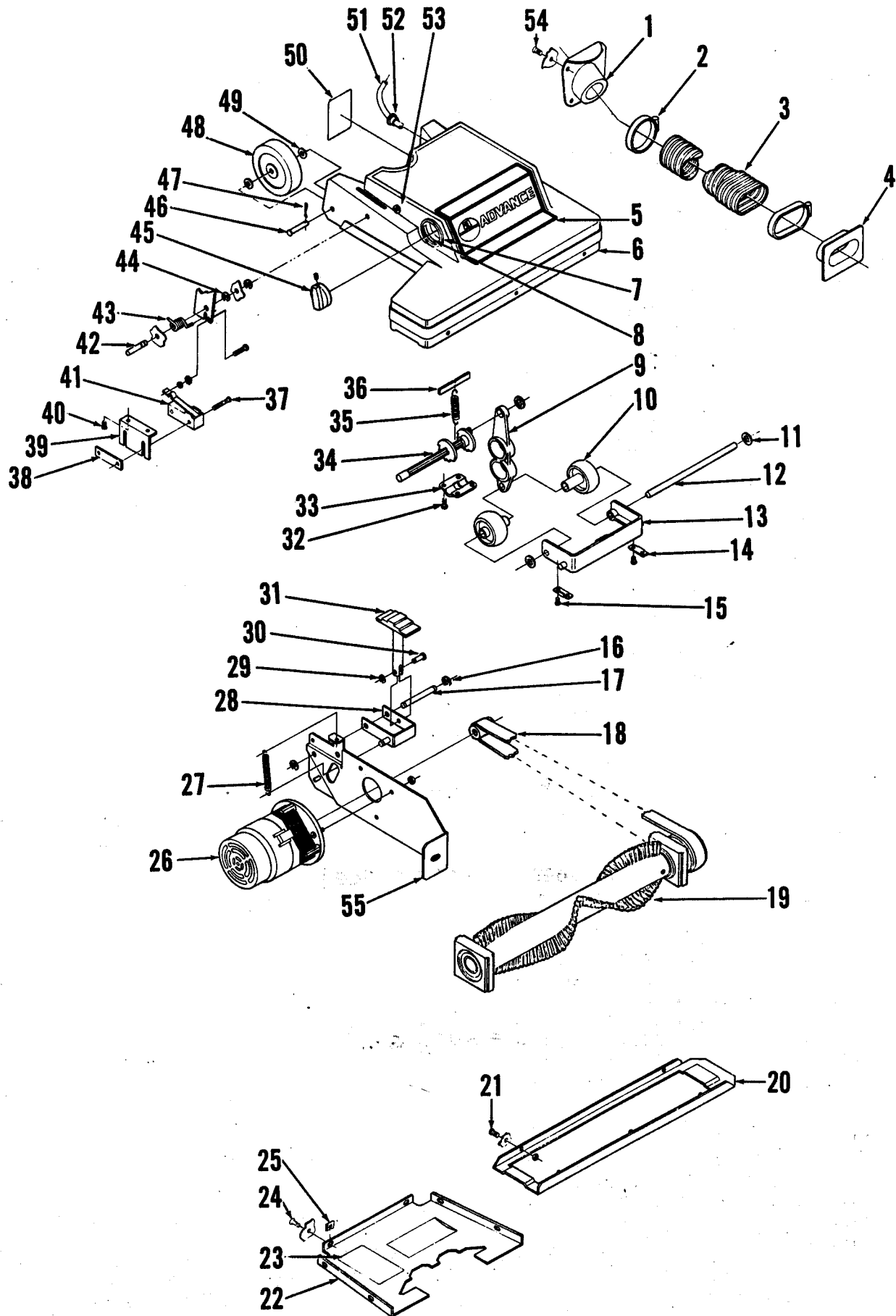
## Index for Form Number 042207

<b>Description</b>	<b>Location</b>	<b>page</b>
Bag Housing	C6	1
Base	C8	3
Wiring Diagrams	C10	5



## UPPER HOUSING

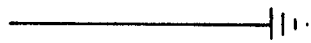
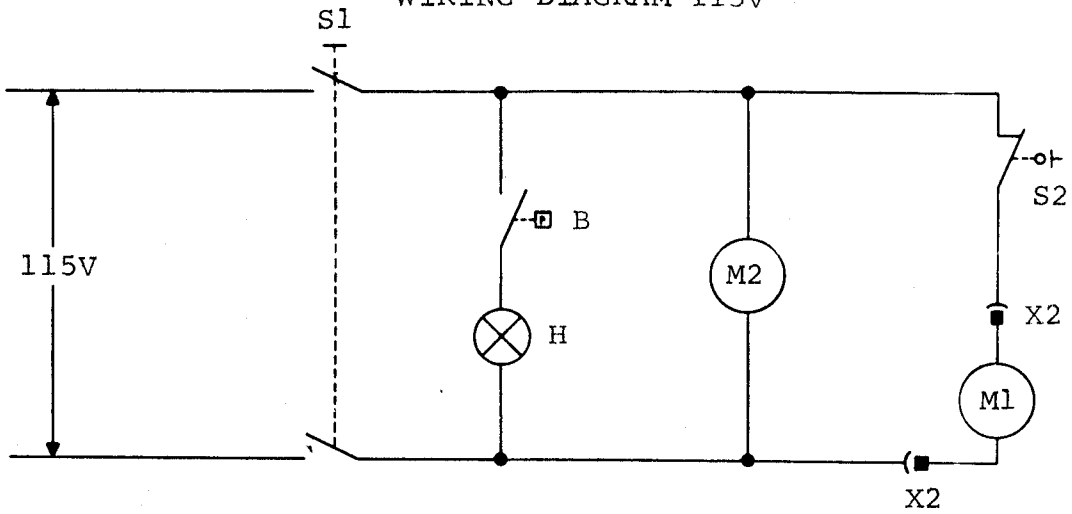
Item	Part No.	Qty	Description	Item	Part No.	Qty	Description
1	323059	1	Light 115V, 100V	25	323050	1	Vacuum Bag Housing
	323234	1	Light 230V	*	323090	1	Vac Bag Housing Shield
2	014107	1	Decal, Bag Full	26	014101	1	Decal, Right Stripe
3	014104	1	Decal, CarpeTwin 16		014102	1	Decal, Left Stripe
4	323048	1	Switch 115V, 100V	29	323113	1	Gasket
	301636	1	Switch 230V	30	323087	1	Wire Rope
5	324536	1	Paper Bag, PKG of 6	31	323026	1	Cover (includes gasket & cable)
	323121	1	Cloth Bag	32	323054	1	Right Support Bracket
	706189	1	Clip for Cloth Bag		323053	1	Left Support Bracket
6	030080	1	Decal, Hands Clear	33		4	5/16-20 x .75 Screw
7	323041	1	Bag Support	34	323067	1	Strain Relief
8	384898	1	Filter	35	323718	1	Vacuum Hose Assembly
9	323070	1	Vacuum Motor Assy 115V, 100V	36	323074	2	Cord Hook
	323232	1	Vacuum Motor Assy 230V	37		2	#10-24 x .50 Screw
10	300381	1	Vacuum Motor 115V, 100V	38	323046	1	Strain Relief <b>TSB 507, G-11</b>
	203518	1	Replacement Brushes for 300381	39	323060	1	Cord Set 115V
	300411	1	Vacuum Motor 230V		323112	1	Cord Set 100V
	503017	1	Replacement Brushes for 300411		301309	1	Cord Set 230V
11	209325	1	Gasket	40	323095	1	Wand
12	570206	2	Grommet	41	323045	1	Nipple
13		4	#10-24 x .38 Screw	42	323063	1	Tube
14	162981	2	Strain Relief	43		2	1/4-20 x 1.25 Screw
15	323039	1	Cup	44	361321	2	Bullet Catch
16	323044	1	Inner Baffle	45	706226	1	Snap Button
17	323049	1	Outer Baffle	46	706220	1	Handle Grip
18		2	#10-24 x .88 Screw	47	706224	1	Handle Plug
19	323064	1	Gasket	48	323062	1	Handle
20		3	#10-24 x 1 Screw	49		1	#8-32 x 1.25 Screw
21	323065	1	Exhaust Filter				
22	323058	1	Cord Assembly 115V, 100V				* = Not Shown
	323236	1	Cord Assembly 230V				
23	323057	1	Cord Assembly 115V, 100V				
	323235	1	Cord Assembly 230V				
24	323068	1	Wiring Shield				



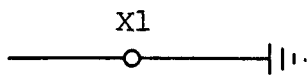
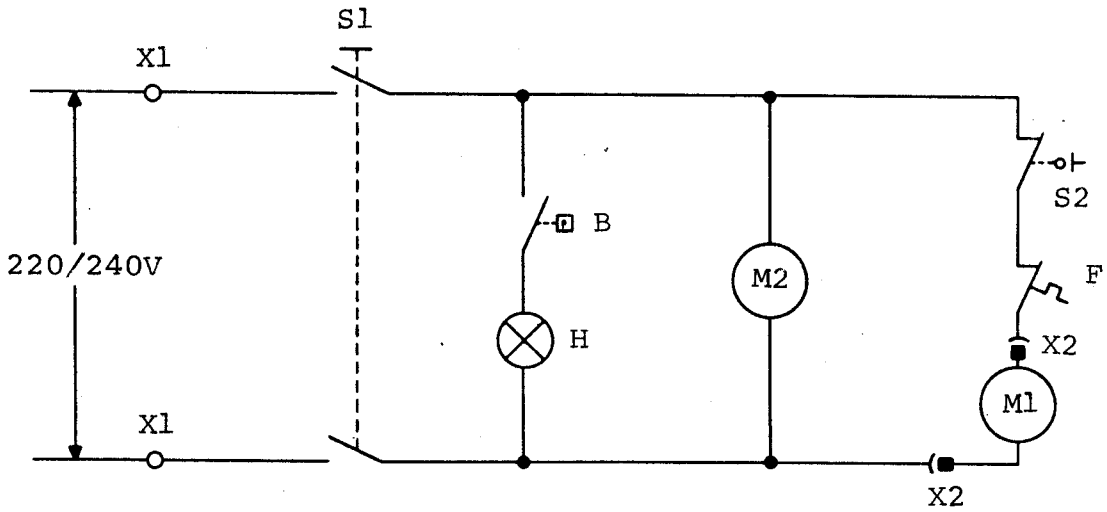
## BASE ASSEMBLY

Item	Part No.	Qty	Description	Item	Part No.	Qty	Description
1	323029	1	Hose Adapter	27	321087	1	Spring
2	440213	2	Hose Clamp	28	328598	1	Latch
3	323077	1	Hose	29	321128	1	Retaining Ring
4	325527	1	Hose Adapter	30	321068	1	Pin
5	014103	1	Decal, Advance	31	323036	1	Foot Pedal
6	323069	1	Base Housing, 115V, 100V	32		4	#6-32 x .25 Screw
	323233	1	Base Housing, 230V	33	325225	1	Ratchet Retainer
7	325410	1	Knob Insert	34	323027	1	Ratchet
8	021106	1	Decal, Knob	35	320484	1	Spring
9	323038	1	Link	36	323035	1	Ratchet Catch
10	323025	2	Wheel	37		2	#6-32 x 1.25 Screw
11	325227	3	Nut	38	376015	1	Nut Plate
12	325229	1	Pivot Pin	39	321615	1	Switch Bracket
13	323028	1	Yoke	40		2	#8-32 x .50 Screw
14	325213	2	Clamp	41	388019	1	Switch
15		4	#10-24 x .50 Screw	42	323089	2	Pivot Pin
16	321125	2	Retaining Ring	43	321398	1	Torsion Spring
17	323084	1	Pin	44	321427	4	Retaining Ring
18	323021	1	Belt <b>TSB 508, G-10</b>	45	324502	1	Knob
19	323082	1	Brush Assembly	46	321404	2	Axle Pin
*	900137	1	Retaining Ring	47	321406	2	Cotter Pin
*	320140	2	Bearing Block	48	327530	2	Wheel
*	323031	1	Pulley	49	151041	4	washer
*	372773	2	Bearing	50	014369	1	Decal, Warning
20	325533	1	Shoe	51	323057	1	Cord Assembly 115V, 100V
21		2	#10-24 x .50 Screw		323235	1	Cord Assembly 230V
22	323083	1	Base Cover	52	163015	1	Strain Relief
23	014053	1	Decal, Wiring 115V	53	323055	2	Stop Bushing
	014460	1	Decal, Wiring 100V	54		4	#10-24 x .75 Screw
	014459	1	Decal, Wiring 230V	55	323066	1	Motor Bracket <b>TSB 508, G-10</b>
24		6	#8-32 x .62 Screw				
25	329575	6	Spring Nut				* = Included in Brush Assembly
26	323051	1	Motor 115V <b>TSB 657, G-2</b>				
	323097	1	Carbon Brushes for 323051				
	323093	1	Motor 100V				
	503020	1	Carbon Brushes for 323093				
	323094	1	Motor 230V				
	503016	1	Carbon Brushes for 323094				
	323024	1	Pulley <b>TSB 518, G-9</b>				

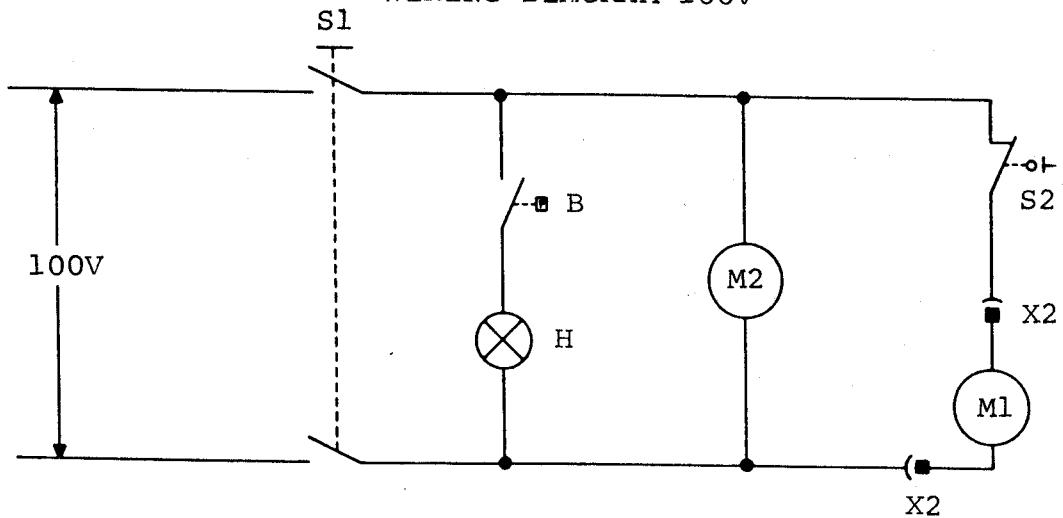
WIRING DIAGRAM 115V



WIRING DIAGRAM 230V



WIRING DIAGRAM 100V



## WIRING DIAGRAMS

115 VOLT

#	PN	QTY	DESCRIPTION
S1	323048	1	MAIN SWITCH
	323059	1	LIGHT/VAC SWITCH ASSEMBLY
H		1	LIGHT
B		1	VACUUM SWITCH
M2	300381	1	VACUUM MOTOR
S2	388019	1	BRUSH MOTOR SWITCH
X2		1	CONNECTOR
	900214	1	SOCKET
	900218	1	PLUG
M1	323051	1	BRUSH MOTOR

240 VOLT

#	PN	QTY	DESCRIPTION
X1	183523	1	TERMINAL BLOCK
S1	301636	1	MAIN SWITCH
	323059	1	LIGHT/VAC SWITCH ASSEMBLY
H		1	LIGHT
B		1	VACUUM SWITCH
M2	300411	1	VACUUM MOTOR
S2	388019	1	BRUSH MOTOR SWITCH
F	290427	1	CIRCUIT BREAKER
X2		1	CONNECTOR
	900214	1	SOCKET
	900218	1	PLUG
M1	323094	1	BRUSH MOTOR

100 VOLT

#	PN	QTY	DESCRIPTION
S1	323048	1	MAIN SWITCH
	323059	1	LIGHT/VAC SWITCH ASSEMBLY
H		1	LIGHT SWITCH
B		1	VACUUM SWITCH
M2	300381	1	VACUUM MOTOR
S2	388019	1	BRUSH MOTOR SWITCH
X2		1	CONNECTOR
	900214	1	SOCKET
	900218	1	PLUG
M1	323093	1	BRUSH MOTOR