



# Electronic Service Manuals

This electronic document is provided as a service to our customers. We do not create the contents of the information contained in this document. Should you have detailed questions pertaining to the information contained in this document, you may contact Michco, or the manufacturer which provided the original information in this electronic deliverable. Michco's only part in this electronic deliverable was the electronic assembly process.

You may contact Michco through the following methods:  
Phone (517) 484-9312 or (800) 331-3339 MI, OH, IN only  
2011 N. High St. -- Lansing, Michigan -- 48906  
Fax: (517) 484-9836  
Email: [CustServ@Michco.com](mailto:CustServ@Michco.com)  
Web site: [www.Michco.Com](http://www.Michco.Com)  
Parts Web site: [www.FloorMachineParts.Com](http://www.FloorMachineParts.Com)

Order Parts on Line at:  
**[www.FloorMachineParts.Com](http://www.FloorMachineParts.Com)**

Directly to Parts & Service:  
By Email: **[Shop@Michco.com](mailto:Shop@Michco.com)**  
By Fax: (517) 702-2041  
By Voice: Use numbers above.

**Serving the Cleaning Industry Since 1922**

Notice: All copyrighted material remains property of original owners, all trademarks are property of respective owners. Manuals are subject to Manufacturer's reproduction limitations. Originals or reproductions were provided by manufacturers through a request. We make no warranty as to the correctness of information provided in this document and you assume all risk.

**CARPETWIN 14"**

**MODEL 140**

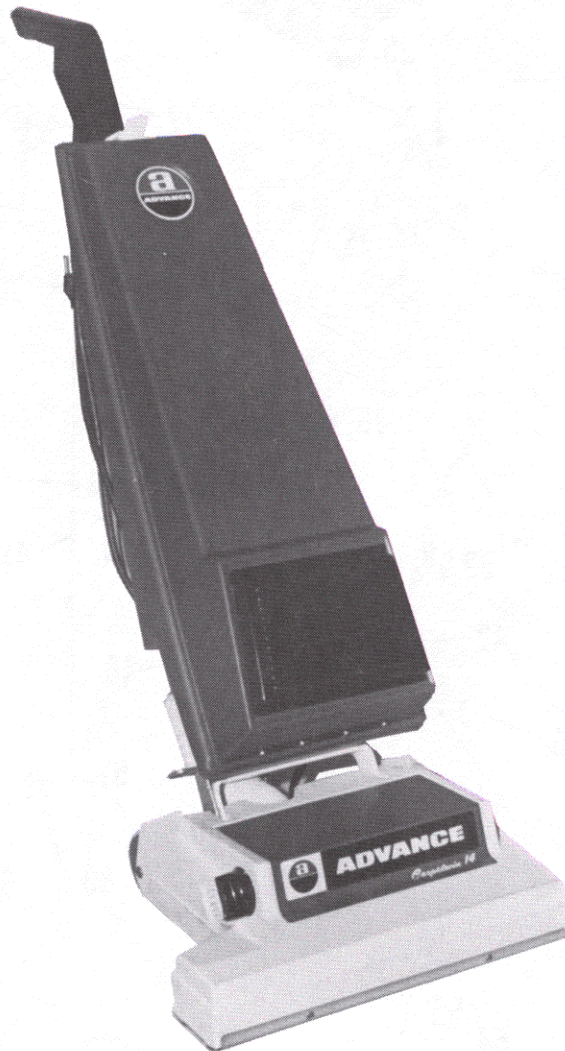
**140-5**

**SERIAL NO. 92811**

**FORM NO. 042101**

**NOVEMBER 1983**

# **PARTS LIST**



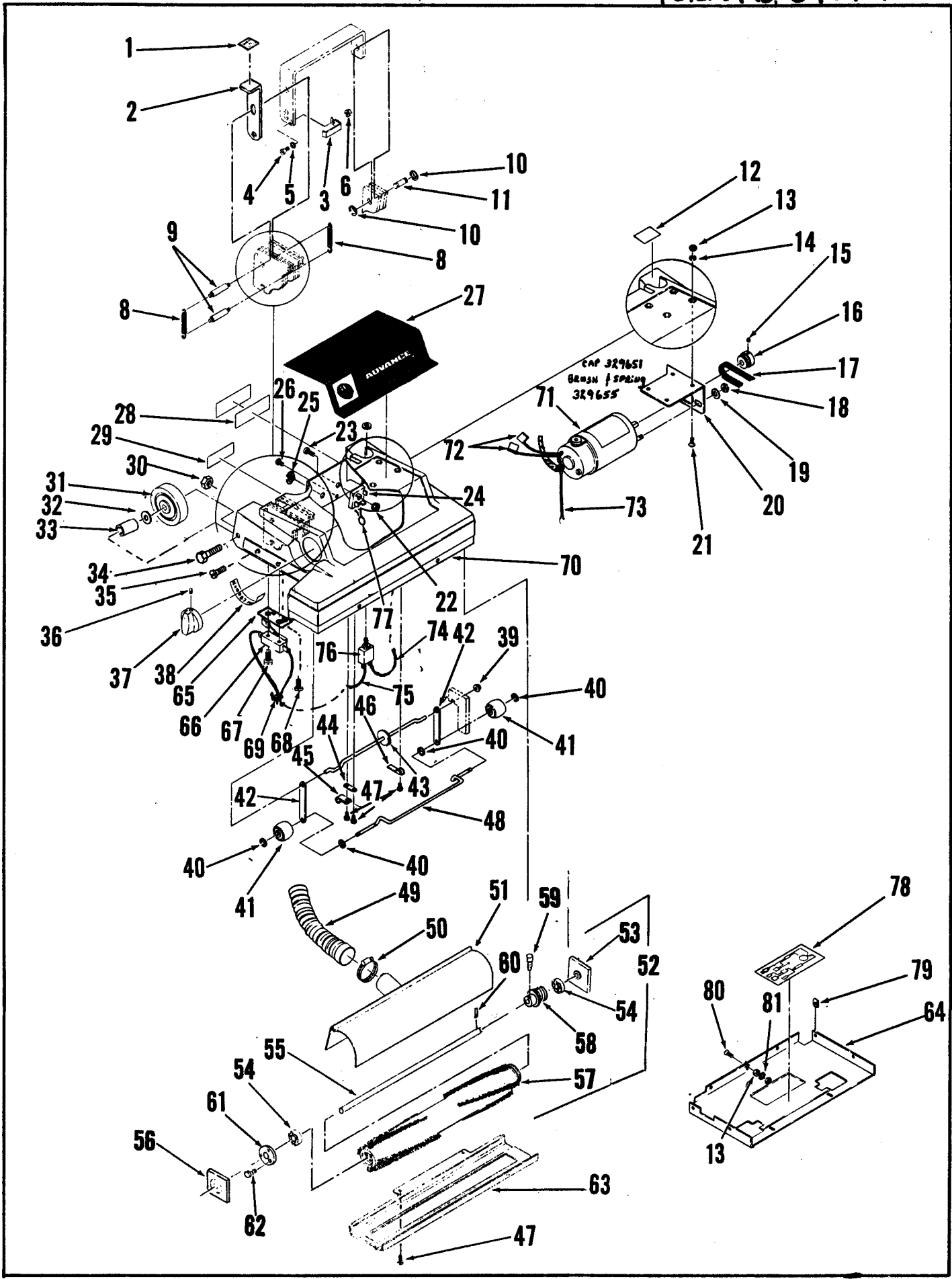
**ADVANCE  
MACHINE COMPANY**

**INTERNATIONAL HEADQUARTERS**, Spring Park, Minnesota 55384-0275  
**EUROPE**, 4 Rue Jean Engling, L-1466 Luxembourg  
**CANADA**, 1295 Crestlawn Drive, Mississauga, Ontario L4W 1A9



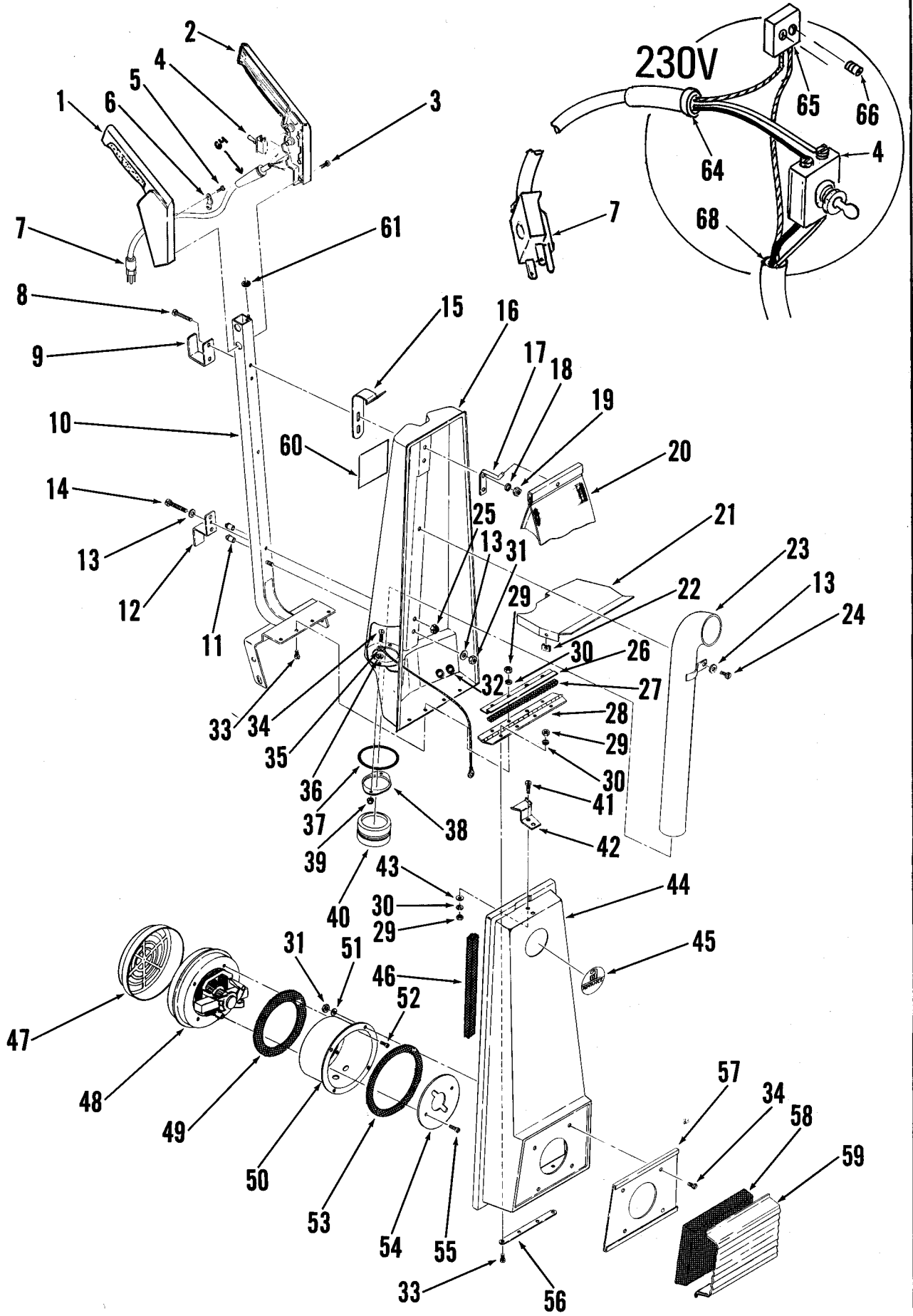
# INDEX FOR FORM NUMBER 042101

<u>Description</u>	<u>Location</u>	<u>Page</u>
Bag Housing	D8	3
Base	D6	1
Motor, Vacuum	D10	5
Wiring Diagram	D11	6



## BASE ASSEMBLY

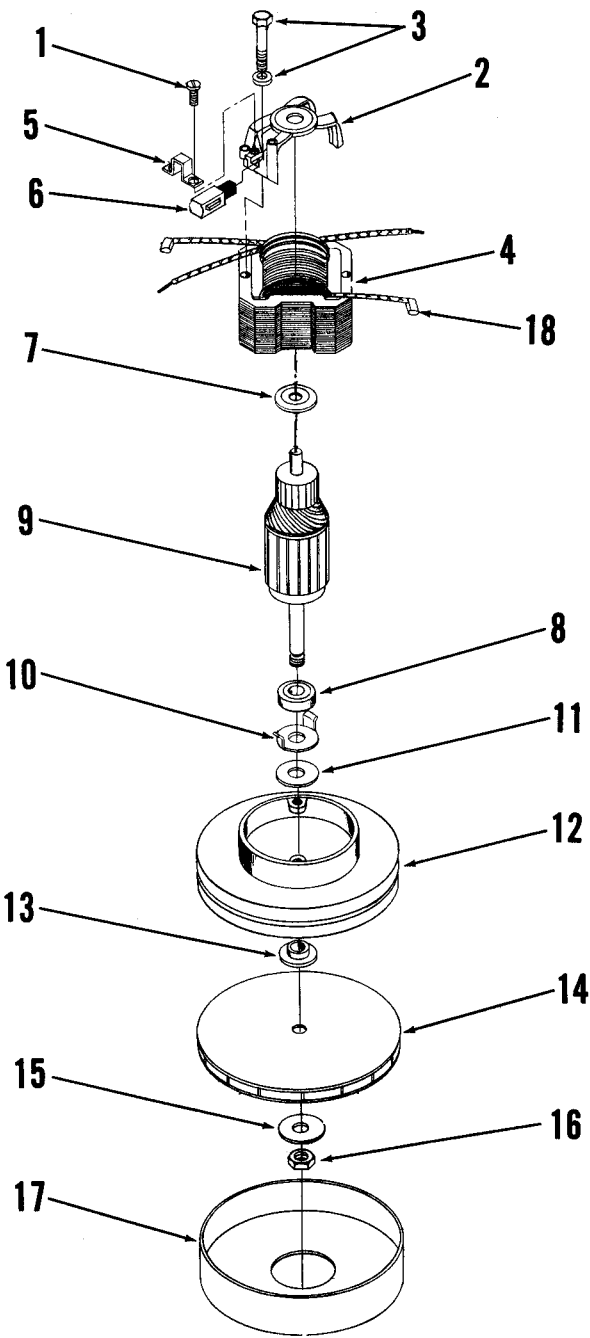
ITEM	PART NO.	QTY	DESCRIPTION
1	014 084	1	DECAL, RELEASE
2	329 545	1	PEDAL,W/DECAL
3	329 536	1	BRACKET, SWITCH
4		1	SCREW,FLAT HD. #8-32 x 3/8
5		1	WASHER,SHAKEPROOF #8
6		1	NUT,HEX WHIZ #8-32
7	329 552	1	WIRE ASSEMBLY,#14 x 9.00
8	445 177	2	SPRING,EXTENSION
9	329 556	1	PIN, PIVOT
10	321 427	2	RING,RETAINING
11	477 902	1	PIN, 3/8 x 1-1/16
12	014 074	1	DECAL, RESET
13		6	NUT,HEX #10-24
14		4	WASHER,LOCK #10
15		1	SET SCREW, 1/4-20 x 3/8
16	329 644	1	SHEAVE
17	329 686	1	BELT
18		2	NUT, ACORN #10-32
19		2	WASHER, SAE #10
20	329 688	1	MOUNT,MOTOR
21		4	SCREW,FLAT HD. #10-24 x 3/8
22		1	NUT,HEX WHIZ #10-24
23	329 060	1	SCREW,NYLON #10-24 x 3/4
24	180 162	1	RECTIFIER, 35A
25	163 015	1	STRAIN RELIEF
26		2	SCREW,PH.PAN HD. #8 x 1/2 S/T TYPE 'A'
27	014 066	1	DECAL, ADVANCE
	014 069	1	UNDERLAY, DECAL
28	015 324	1	NAMEPLATE, ADVANCE
	015 325	1	OVERLAY, NAMEPLATE
29	015 379	1	DECAL, WARNING
30		1	NUT,HEX WHIZ 1/4-20
31	324 499	2	WHEEL, 3.00 x .781
32	150 142	2	WASHER
33	329 585	2	BUSHING
34		2	SCREW,TRUSS HD. 1/4-20 x 1.50
35		4	SCREW,PH.OVAL HD.#8 x 1/2 S.T TYPE 'A'
36		1	SCREW, SOCKET SET #8-32 x 1/4
37	324 504	1	KNOB
38	021 106	1	DECAL, BRUSH ADJUST
39	290 935	1	CAP, STUD 1/4
40	321 125	6	RING,RETAINING EXT. 1/4
41	329 554	2	ROLLER
42	329 517	2	LINK, ROLLER
43	329 546	1	CRANKSHAFT
44	329 514	3	RETAINER,SHAFT
45	300 152	1	CLAMP, CORD
46	329 512	1	RATCHET
47	329 623	11	SCREW,S.T. #8-18 TYPE 'IN PLAS'
48	329 562	1	AXLE
49	329 560	1	HOSE, VAC 2.00 x 14.50
50	440 213	1	CLAMP, HOSE
51	329 532	1	INSERT, BRUSH
52	329 690	1	BRUSH ASSEMBLY, C/O
53	329 684	1	BLOCK,BEARING
54	290 283	2	BEARING,BALL
56	329 682	1	BLOCK,BEARING
57	329 672	1	BRUSH,TURBULATOR
58	329 678	1	SHEAVE, 1-3/8 DIA.
59		2	SCREW,CAP #8-32 x 3/8
60	200 999	1	GROOVE PIN
61	329 680	1	CAP
62		3	SCREW,PH.FLAT HD.S.T.#6 x 1/2 TYPE 'A'
63	329 572	1	SHOE
64	329 541	1	PAN,BOTTOM W/DECAL
65	329 058	1	BRACKET, SWITCH
66	171 225	1	SWITCH,SNAP SPST
67		2	SCREW,PAN HD #6-32 x .88
68		2	SCREW,FLAT HD. #6-32 x 1/2
69	478 246	1	CABLE TIE
70	329 525	1	HOUSING,W/DECALS
71	329 530	1	MOTOR,1/10 H.P. 100 VDC
	329 531	1	MOTOR,1/10 H.P. 200 VDC
72	244 838	2	RECEPTACLE,FLAG
73	329 552	1	WIRE ASSEMBLY,#14 x 9.00
74	329 566	1	WIRE ASSEMBLY,#14 x 4.00
75	329 564	1	WIRE ASSEMBLY,#14 x 15.00
76	329 630	1	CIRCUIT BREAKER,1.2A 115V
	290 427	1	CIRCUIT BREAKER,0.9A 230V
77	387 554	1	VARISTOR ASSEMBLY
78	014 070	1	WIRING DECAL, 115V
	014 082	1	WIRING DECAL, 230V
79	329 575	6	NUT,SPRING #8
80		1	SCREW,FLAT HD. #10-24 x 1/2
81	203 874	2	WASHER,.193 x .875 x .06



## HANDLE ASSEMBLY

ITEM	PART NO	QTY	DESCRIPTION
1	329 621	1	HANDLE,RIGHT
2	329 620	1	HANDLE,LEFT
3	329 622	5	SCREW, S/T #8-16 x 1.00
4	301 636	1	SWITCH, TOGGLE
5	329 623	4	SCREW,S/T #8-16 x 5/8
6	329 616	1	CLAMP, CORD
7	329 628	1	CORD SET ASSEMBLY,115V
	300 227	1	CORD SET ASSEMBLY,230V
8		2	SCREW,PAN HD. S/T #10-24 x 1-3/4
9	325 168	1	HOOK,CORD
10	329 582	1	HANDLE WELDMENT
11	361 321	1	CATCH, BULLET
12	325 166	1	HOOK, CORD
13		3	WASHER,FLAT #10
14		1	SCREW,PAN HD. #10-24 x 1-3/4
15	329 608	1	LATCH
16	329 593	1	HOUSING, BACK
17	325 164	1	HOOK, BAG
18		4	WASHER,LOCK #10
19		4	NUT, ACORN #10
20	324 530	1	BAG,CLOTH
	324 531	1	BAG, DISPOSABLE
21	329 590	1	SUPPORT, BAG
22	325 504	2	NUT, SPRING
23	325 162	1	TUBE
24		1	SCREW,PAN HD. S/T #10-32 x 1/2
25		1	NUT,LOCK #10-24
26	329 576	1	PLATE,HANDLE
27	385 448	65"	GASKET, RS 3/8 x 3/8
28	329 642	1	HINGE
29		10	NUT,HEX #6-32
30		10	WASHER,LOCK #6
31		4	NUT,HEX #10-24
32	320 319	4	BUSHING, NYLON
33		8	SCREW,PAN HD. #6-32 x 1/2
34		6	SCREW,PAN HD. #10-24 x 5/8
35	325 240	1	WIRE ROPE ASSEMBLY 10"
36		6	WASHER,LOCK #10
37	325 157	1	O-RING
38	325 160	1	PLATE
39		4	NUT, ACORN #10-24
40	330 088	1	CUFF,HOSE
41		4	SCREW, PAN HD. #6-32 x 3/8
42	326 250	1	STRIKE,LATCH
43		2	WASHER,FLAT #6
44	329 595	1	HOUSING, FRONT W/DECALS
45	014 072	1	DECAL, ADVANCE
46	325 324	58"	GASKET, RS 1/4 x 1/4
47	384 898	1	FILTER
48	329 598	1	MOTOR, VACUUM W/GASKET 115V
	301 622	1	MOTOR, VACUUM W/GASKET 230V
49	209 325	1	GASKET
50	325 120	1	CUP, VAC MOTOR
51		6	WASHER, SHAKEPROOF #10
52		4	SCREW,PAN HD S/T #10-24 x 1/2
53	325 148	1	GASKET
54	325 332	1	BAFFLE
55	325 134	3	SCREW, TC #10 x 3/8
56	325 208	1	PLATE
57	329 586	1	PLATE, FILTER
58	329 584	1	FILTER
59	329 588	1	DEFLECTOR,AIR
60	015 014	1	DECAL, WARNING
61		1	WASHER, SHAKEPROOF #8
62	329 568	1	CORD ASSEMBLY,#18/3 x 39 (SEE WIRING DIAGRAM)
	329 640	1	CORD ASSEMBLY,#16/3 x 37 (SEE WIRING DIAGRAM)
63	321 737	2	CONNECTOR,WIRE (SEE WIRING DIAGRAM)
64	329 610	1	STRAIN RELIEF
65	329 612	1	CONNECTOR,GROUND 230V
66		2	SET SCREW, #4-40 x .25
67	320 676	1	CLAMP, BAG
68	329 626	1	CORD ASSEMBLY, #18/3 x 46 115V
	329 638	1	CORD ASSEMBLY, #16/3 x 46 230V

VACUUM MOTOR



ITEM	PART NO	QTY	DESCRIPTION
1	203 263	4	SCREW
2	300 406	1	BRACKET, COMMUTATOR END
3	325 090	2	SCREW & WASHER 115V
	203 494	2	SCREW & WASHER 230V
4		1	FIELD
5	207 285	2	CLAMP
6	203 518	2	BRUSH MECHANISM
7	228 388	1	WASHER, FIBER
8	228 051	1	BEARING, BALL
9	325 084	1	ARMATURE, 115V
	203 549	1	ARMATURE 230V
10	203 471	1	WASHER, CLAMPING
11	202 630	1	WASHER, FELT 115V
12	203 459	1	WASHER, FELT 230V
13	325 094	1	SHELL & BRACKET ASSEMBLY 115V
	301 184	1	SHELL & BRACKET ASSEMBLY 230V
14	203 424	1	SPACER
15	208 191	1	FAN, ROTATING
16	203 432	1	WASHER
17	203 440	1	NUT
	325 088	1	FAN SHELL, 115V
	203 491	1	FAN SHELL, 230V
18	203 584	2	FIELD CLIP
N/S	207 268	1	FAN, STATIONARY 230V
N/S	203 516	1	SPACER

N/S NOT SHOWN

