



## Electronic Service Manuals

This electronic document is provided as a service to our customers. We do not create the contents of the information contained in this document. Should you have detailed questions pertaining to the information contained in this document, you may contact Michco, or the manufacturer which provided the original information in this electronic deliverable. Michco's only part in this electronic deliverable was the electronic assembly process.

You may contact Michco through the following methods:  
Phone (517) 484-9312 or (800) 331-3339 MI, OH, IN only  
2011 N. High St. -- Lansing, Michigan -- 48906  
Fax: (517) 484-9836  
Email: [CustServ@Michco.com](mailto:CustServ@Michco.com)  
Web site: [www.Michco.Com](http://www.Michco.Com)  
Parts Web site: [www.FloorMachineParts.Com](http://www.FloorMachineParts.Com)

Order Parts on Line at:  
**[www.FloorMachineParts.Com](http://www.FloorMachineParts.Com)**

Directly to Parts & Service:  
By Email: **[Shop@Michco.com](mailto:Shop@Michco.com)**  
By Fax: (517) 702-2041  
By Voice: Use numbers above.

**Serving the Cleaning Industry Since 1922**

Notice: All copyrighted material remains property of original owners, all trademarks are property of respective owners. Manuals are subject to Manufacturer's reproduction limitations. Originals or reproductions were provided by manufacturers through a request. We make no warranty as to the correctness of information provided in this document and you assume all risk.

**CARPETWIN**

**MODEL 140**

THIS PARTS LIST IS FOR 115 VOLT  
MACHINES AFTER SERIAL NO. 053103

# PARTS LIST



**ADVANCE**  
**MACHINE COMPANY**

INTERNATIONAL HEADQUARTERS, Spring Park, Minnesota 55384-0275

EUROPE, 4 Rue Jean Engling, L-1466 Luxembourg

CANADA, 1295 Crestlawn Drive, Mississauga, Ontario L4W 1A9

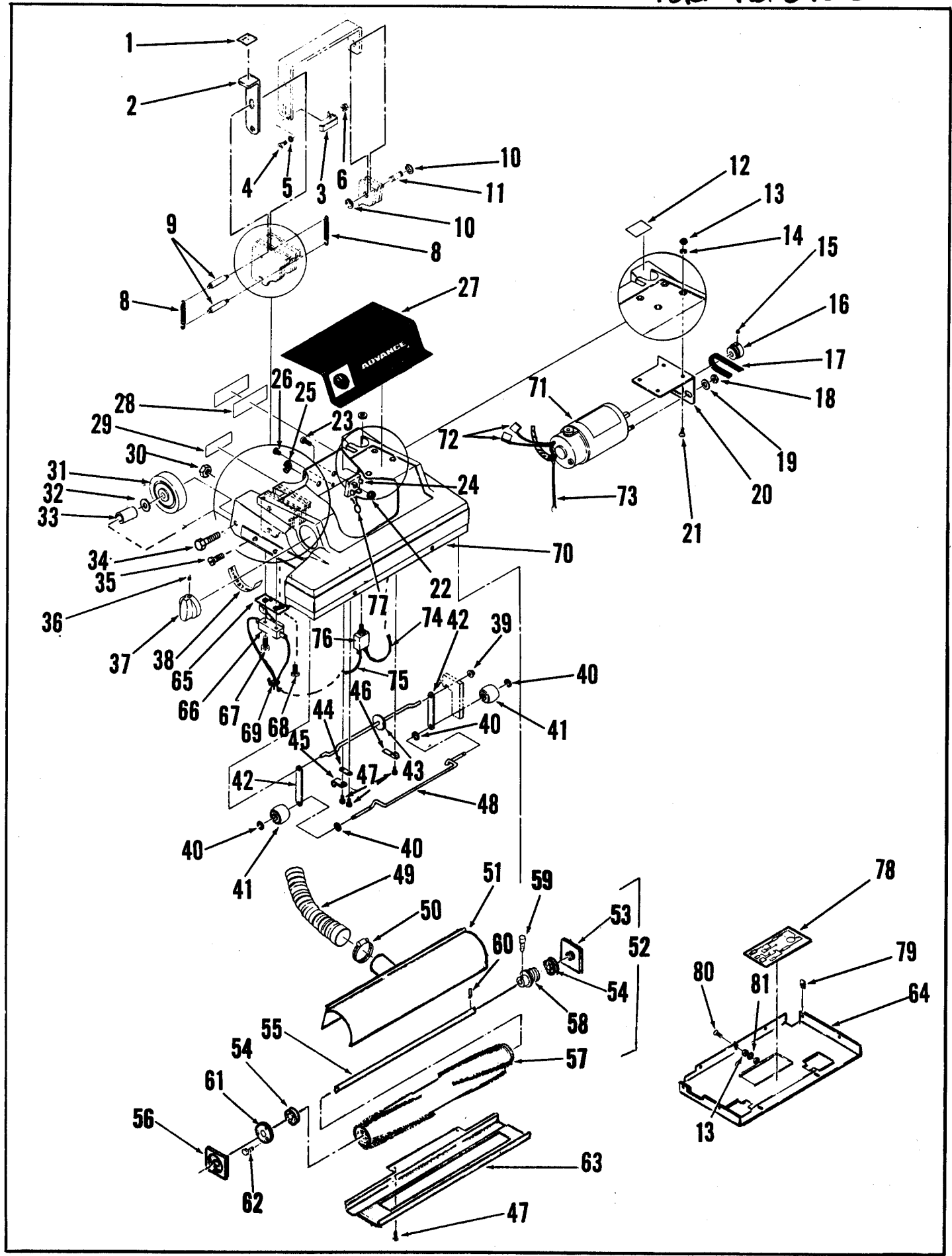
© 1985 Advance Machine Co.

FORM NO. 042 126 3/85



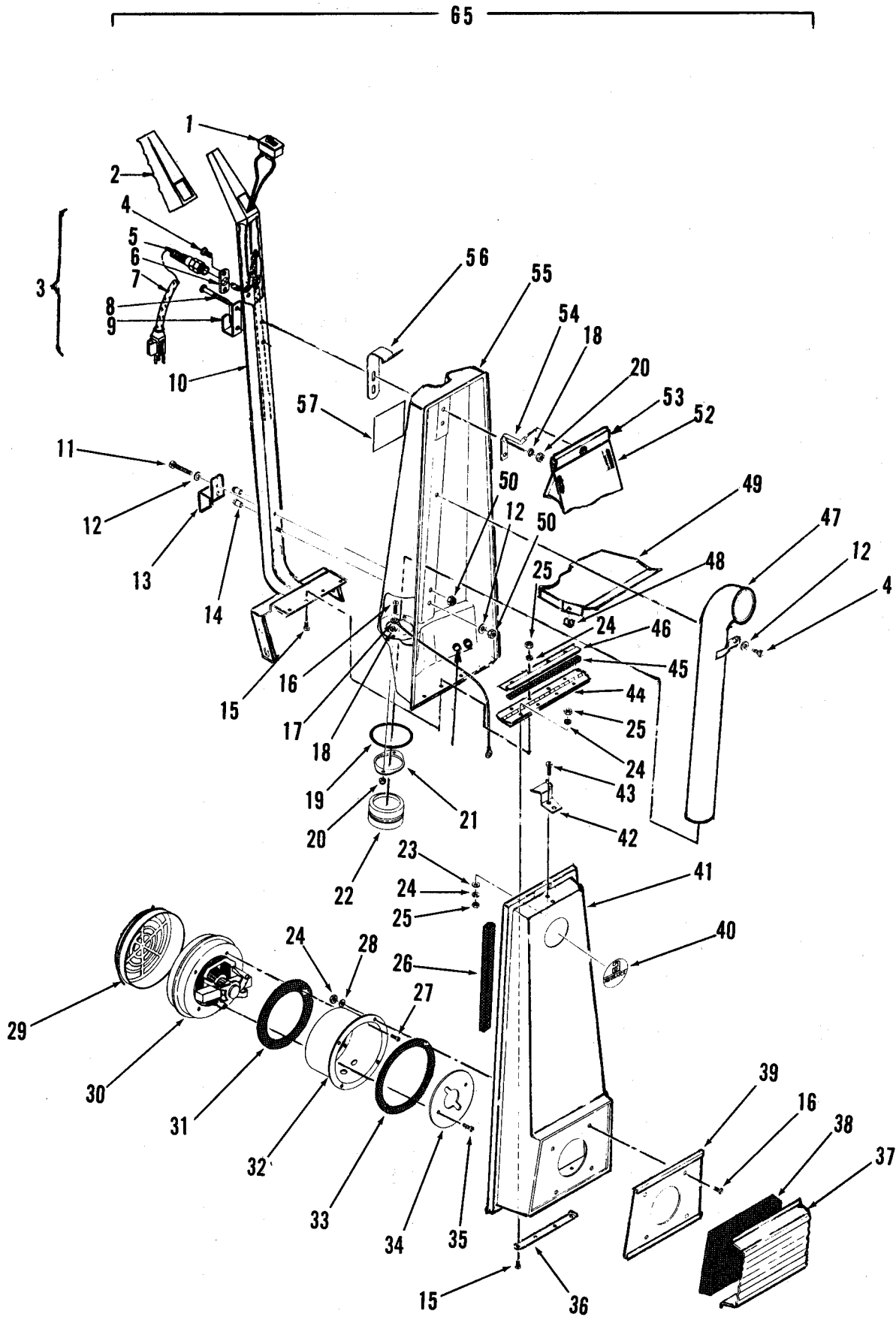
# INDEX FOR FORM NUMBER 042126

<u>Description</u>	<u>Location</u>	<u>Page</u>
Bag Housing	D1	3
Base	C12	1
Motor, Vacuum	D3	5
Wiring Diagram	D4	6



BASE ASSEMBLY

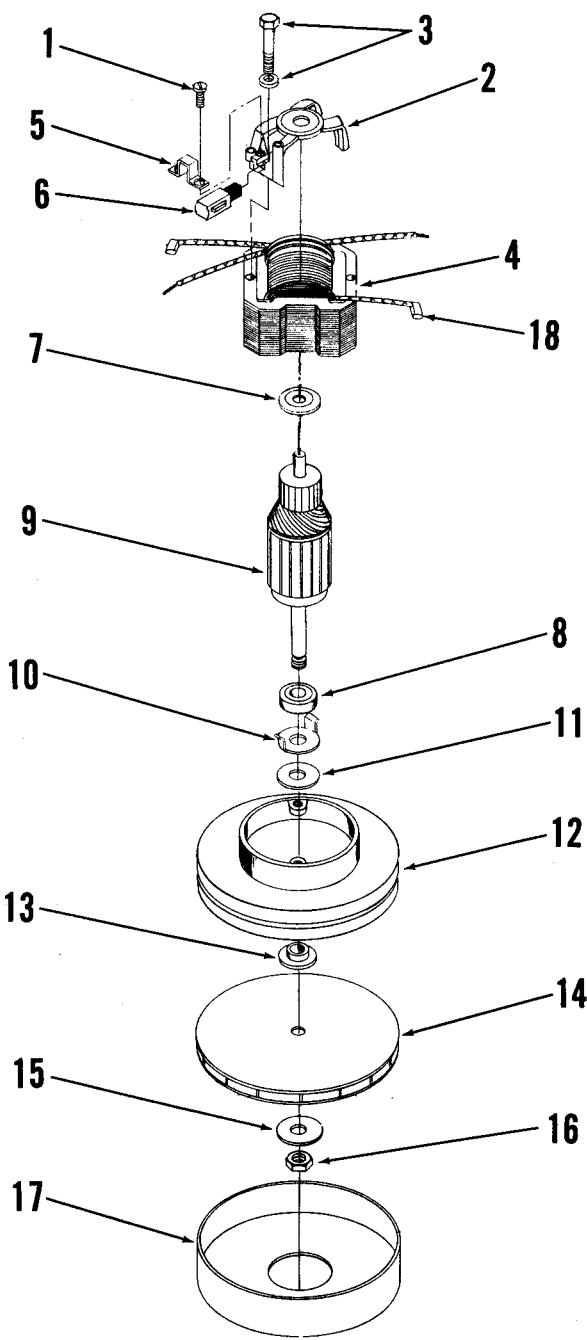
ITEM	PART NO.	QTY.	DESCRIPTION	ITEM	PART NO.	QTY.	DESCRIPTION
1	014 084	1	DECAL, RELEASE	66	388 019	1	SWITCH, SNAP SPST
2	329 544	1	PEDAL	67		2	SCREW, #6-32 X .88
3	329 536	1	BRACKET, SWITCH	68		2	SCREW, #6-32 X 1/2
4		1	SCREW, #8-32 X 3/8	69	478 246	2	CABLE TIE
5		1	WASHER, SHAKEPROOF #8	70	329 524	1	HOUSING
6		1	NUT, HEX WHIZ #8-32	71	329 530	1	MOTOR, 1/10 H.P. 100V DC
7	329 596	1	PIN .250 X 2.00 (NOT SHOWN)	72	244 838	2	RECEPTACLE, FLAG
8	445 177	2	SPRING, EXTENSION	73	329 552	1	WIRE ASSEMBLY #14 X 9.00
9	329 556	2	PIN, PIVOT	74	329 566	1	WIRE ASSEMBLY #14 X 4.00
10	321 427	2	RING, RETAINING	75	329 564	1	WIRE ASSEMBLY #14 X 15.00
11	477 902	1	PIN, 3/8 X 1 1/16	76	329 630	1	CIRCUIT BREAKER 1.2A 115V
12	014 074	1	DECAL, RESET	77	387 554	1	VARISTOR ASSEMBLY
13		6	NUT, HEX #10-24	78	014 070	1	WIRING DECAL 115V
14		4	WASHER, LOCK #10	79	329 575	6	NUT, SPRING #8
15		1	SET SCREW 1/4-20 X 3/8	80		1	SCREW, #10-24 X 1/2
16	329 644	1	SHEAVE	81	203 874	2	WASHER, .193 X .875 X .06
17	329 686	1	BELT				
18		2	NUT, ACORN #10-32				
19		2	WASHER, SAE #10				
20	329 688	1	MOUNT, MOTOR				<u>BRUSH DRIVE MOTOR PARTS</u>
21		4	SCREW, #10-24 X 3/8				(NOT SHOWN)
22		1	NUT, HEX WHIZ #10-24	329 655	1		CARBON BRUSH/SPRING KIT
23	329 060	1	SCREW, NYLON #10-24 X 3/4	329 651	2		CARBON BRUSH CAP
24	180 162	1	RECTIFIER, 35A				
25	163 015	1	STRAIN RELIEF				
26		2	SCREW, #8 X 1/2 S.T.				
27	014 066	1	DECAL, ADVANCE				
	014 069	1	UNDERLAY DECAL				
28	015 324	1	NAMEPLATE, ADVANCE				
29	015 379	1	DECAL, WARNING				
30		1	NUT, WHIZ HEX 1/4-20				
31	324 499	2	WHEEL 3.00 X .781				
32	150 142	2	WASHER				
33	329 585	2	BUSHING				
34	329 614	2	SCREW, 1/4-20 X 1 1/2				
35		4	SCREW, #8 X 1/2 S.T.				
36		1	SCREW, #8-32 X 1/4				
37	324 504	1	KNOB				
38	021 106	1	DECAL, BRUSH ADJUSTMENT				
39	290 935	3	CAP, STUD 1/4				
40	321 125	6	RING, RETAINING EXT. 1/4				
41	329 554	2	ROLLER				
42	329 517	2	LINK, ROLLER				
43	329 547	1	CRANKSHAFT				
44	329 514	3	RETAINER, SHAFT				
45	300 152	1	CLAMP, CORD				
46	329 512	1	RATCHET				
47	329 623	11	SCREW, S/T #8-16 X .62				
48	329 563	1	AXEL				
49	329 560	1	HOSE, VAC 2.00 X 14.50				
50	440 213	1	CLAMP, HOSE				
51	329 532	1	INSERT, BRUSH				
52	329 690	1	BRUSH ASSEMBLY				
53	329 684	1	BLOCK, BEARING				
54	290 283	2	BEARING, BALL				
55	329 674	1	SHAFT, BRUSH				
56	329 682	1	BLOCK, BEARING				
57	329 672	1	BRUSH, TURBULATOR				
58	329 678	1	SHEAVE				
59		2	SCREW, CAP #8-32 X 3/8				
60	200 999	1	PIN, GROOVE				
61	329 680	1	CAP				
62		3	SCREW, S/T #6 X 1/2				
63	329 572	1	SHOE				
64	329 540	1	PAN, BOTTOM				
65	329 058	1	BRACKET, SWITCH				



## HANDLE ASSEMBLY

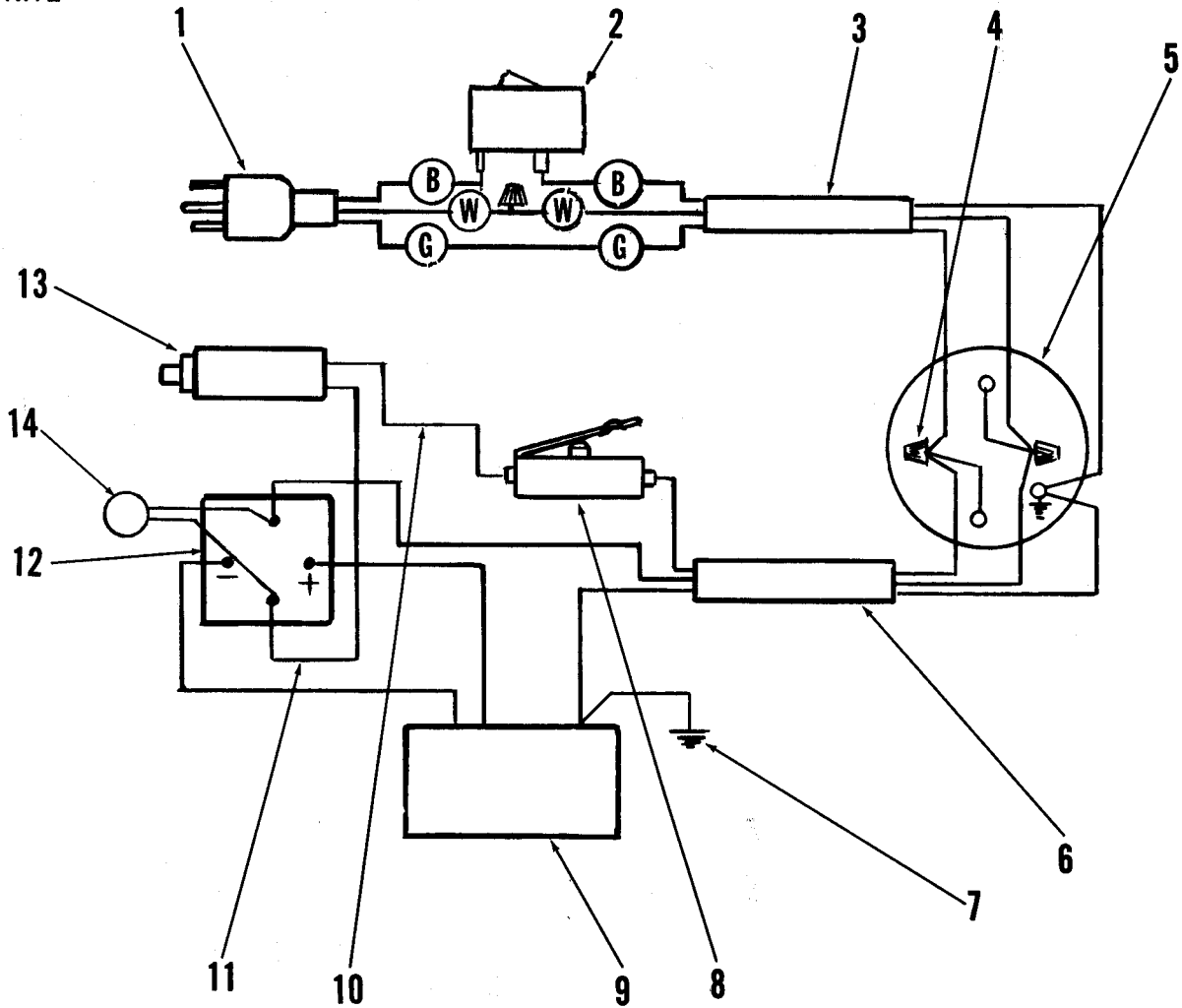
ITEM	PART NO.	QTY.	DESCRIPTION
1	325 140	1	SWITCH, ROCKER
2	585 099	1	GRIP, HANDLE
3	580 465	1	CORD SET ASSEMBLY
4		6	SCREW, #10-32 X 1/2
5	162 736	1	STRAIN RELIEF
6	322 027	1	PLATE
7	580 472	1	CORD SET
8		2	SCREW, HP-5 #10-24 X 1 3/4
9	325 168	1	HOOK, CORD
10	329 802	1	HANDLE
11		1	SCREW, #10-24 X 1 3/4
12		3	WASHER, FLAT #10
13	325 166	1	HOOK, CORD
14	361 321	2	CATCH, BULLET
15		4	SCREW, #6-32 X 1/2
16		6	SCREW, #10-24 X 1/2
17	325 240	1	WIRE ROPE ASSEMBLY
18		5	WASHER, LOCK #10
19	325 157	1	O-RING
20		4	NUT, ACORN #10-24
21	325 160	1	PLATE
22	330 088	1	CUFF, HOSE
23		2	WASHER, FLAT #6
24		10	WASHER, LOCK #6
25		10	NUT, HEX #6-32
26	385 248	72"	GASKET
27		4	SCREW, HP-5 #10-24 X 1/2
28		6	WASHER, SHAKEPROOF #10
29	384 898	1	FILTER
30	325 096	1	MOTOR, VAC
31	209 325	1	GASKET
32	325 120	1	CUP, VAC MOTOR
33	325 148	1	GASKET
34	325 332	1	BAFFLE
35		3	SCREW, #10-24 X 3/8
36	325 208	1	PLATE
37	329 588	1	DEFLECTOR, AIR
38	329 584	1	FILTER
39	329 586	1	PLATE, FILTER
40	014 072	1	DECAL, ADVANCE
41	329 594	1	HOUSING, FRONT
42	325 250	1	LATCH, STRIKE
43		4	SCREW #6-32 X 3/8
44	329 642	1	HINGE
45	385 448	10"	GASKET
46	329 576	1	PLATE, HANDLE
47	325 162	1	TUBE
48	322 504	2	NUT, SPRING #6-32
49	329 590	1	SUPPORT, BAG
50		5	NUT, HEX #10-24
51	320 319	4	BUSHING, NYLON
52	324 530	1	BAG, CLOTH
	324 531	1	BAG, DISPOSABLE
53	320 676	1	CLAMP, BAG
54	325 164	1	HOOK, BAG
55	329 592	1	HOUSING, BACK
56	329 608	1	LATCH
57	015 314	1	DECAL, WARNING
58	162 981	4	STRAIN RELIEF (NOT SHOWN)
59	325 219	1	CABLE TIE (NOT SHOWN)
60	321 737	4	WIRE NUT CONNECTOR (NOT SHOWN)
61	320 099	16"	GASKET (NOT SHOWN)
62		1	SCREW, #10-24 X 1 3/4 (NOT SHOWN)
63	329 568	1	CORD ASSY. (NOT SHOWN)
64	329 808	1	CORD SET ASSY. (NOT SHOWN)
65	329 625	1	HANDLE ASSEMBLY 115V

### VACUUM MOTOR



ITEM	PART NO.	QTY.	DESCRIPTION
1	203 263	4	SCREW
2	300 406	1	BRACKET, COMMUTATOR END
3	325 090	2	SCREW & WASHER
4	228 377	1	FIELD
5	207 285	2	CLAMP
6	203 518	2	BRUSH MECHANISM
7	228 388	1	WASHER, FIBER
8	228 051	1	BEARING, BALL
9	325 084	1	ARMATURE
10	203 471	1	WASHER, CLAMPING
11	202 630	1	WASHER, FELT
12	325 094	1	SHELL & BRACKET ASSY.
13	203 424	1	SPACER
14	208 191	1	FAN, ROTATING
15	203 432	1	WASHER
16	203 440	1	NUT
17	325 088	1	SHELL, FAN
18	203 584	2	CLIP, FIELD

B - BLACK  
G - GREEN  
W - WHITE



### ELECTRICAL SCHEMATIC

ITEM	PART NO.	QTY.	DESCRIPTION
1	580 465	1	CORD SET ASSEMBLY
2	325 140	1	SWITCH, ROCKER SPST
3	329 808	1	CORD ASSEMBLY #18/3 X 46
4	321 737	4	CONNECTOR, WIRE NUT
5	325 096	1	MOTOR, VACUUM
6	329 568	1	CORD ASSEMBLY #18/3 X 39
7	329 552	1	WIRE ASSEMBLY #14 X 9
8	388 019	1	SWITCH, SNAP SPST N.C.
9	329 530	1	MOTOR, 1/10 HP 100 V.D.C.
10	329 564	1	WIRE ASSEMBLY #14 X 15.00
11	329 566	1	WIRE ASSEMBLY #14 X 4.00
12	180 162	1	RECTIFIER 35A
13	329 630	1	CIRCUIT BREAKER 1.2A
14	387 554	1	VARISTOR ASSEMBLY