



## Electronic Service Manuals

This electronic document is provided as a service to our customers. We do not create the contents of the information contained in this document. Should you have detailed questions pertaining to the information contained in this document, you may contact Michco, or the manufacturer which provided the original information in this electronic deliverable. Michco's only part in this electronic deliverable was the electronic assembly process.

You may contact Michco through the following methods:  
Phone (517) 484-9312 or (800) 331-3339 MI, OH, IN only  
2011 N. High St. -- Lansing, Michigan -- 48906  
Fax: (517) 484-9836  
Email: [CustServ@Michco.com](mailto:CustServ@Michco.com)  
Web site: [www.Michco.Com](http://www.Michco.Com)  
Parts Web site: [www.FloorMachineParts.Com](http://www.FloorMachineParts.Com)

Order Parts on Line at:  
**[www.FloorMachineParts.Com](http://www.FloorMachineParts.Com)**

Directly to Parts & Service:  
By Email: **[Shop@Michco.com](mailto:Shop@Michco.com)**  
By Fax: (517) 702-2041  
By Voice: Use numbers above.

**Serving the Cleaning Industry Since 1922**

Notice: All copyrighted material remains property of original owners, all trademarks are property of respective owners. Manuals are subject to Manufacturer's reproduction limitations. Originals or reproductions were provided by manufacturers through a request. We make no warranty as to the correctness of information provided in this document and you assume all risk.

# CARPETWIN 14, 14XP

MODELS 323500, 323501, 323510

# PARTS LIST

THIS PARTS LIST IS FOR MACHINES  
AFTER SERIAL NUMBER 289698.



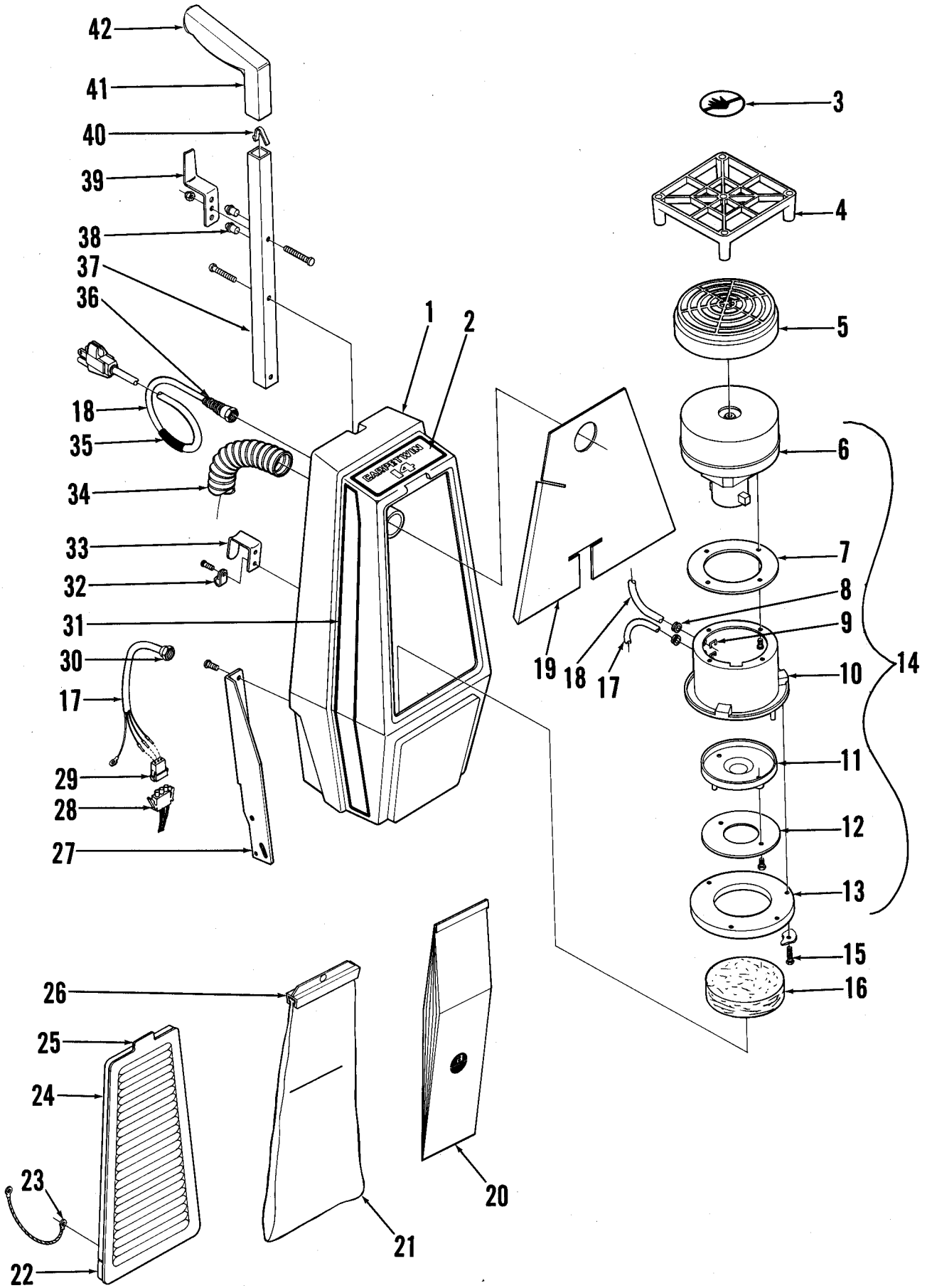
**ADVANCE**  
MACHINE COMPANY

INTERNATIONAL HEADQUARTERS, Plymouth, MN 55447-3408  
EUROPE, Llantrisant, Pontyclun, Mid-Glamorgan CF7 8YZ Wales, United Kingdom  
CANADA, 1295 Crestlawn Drive, Mississauga, Ontario L4W 1A9



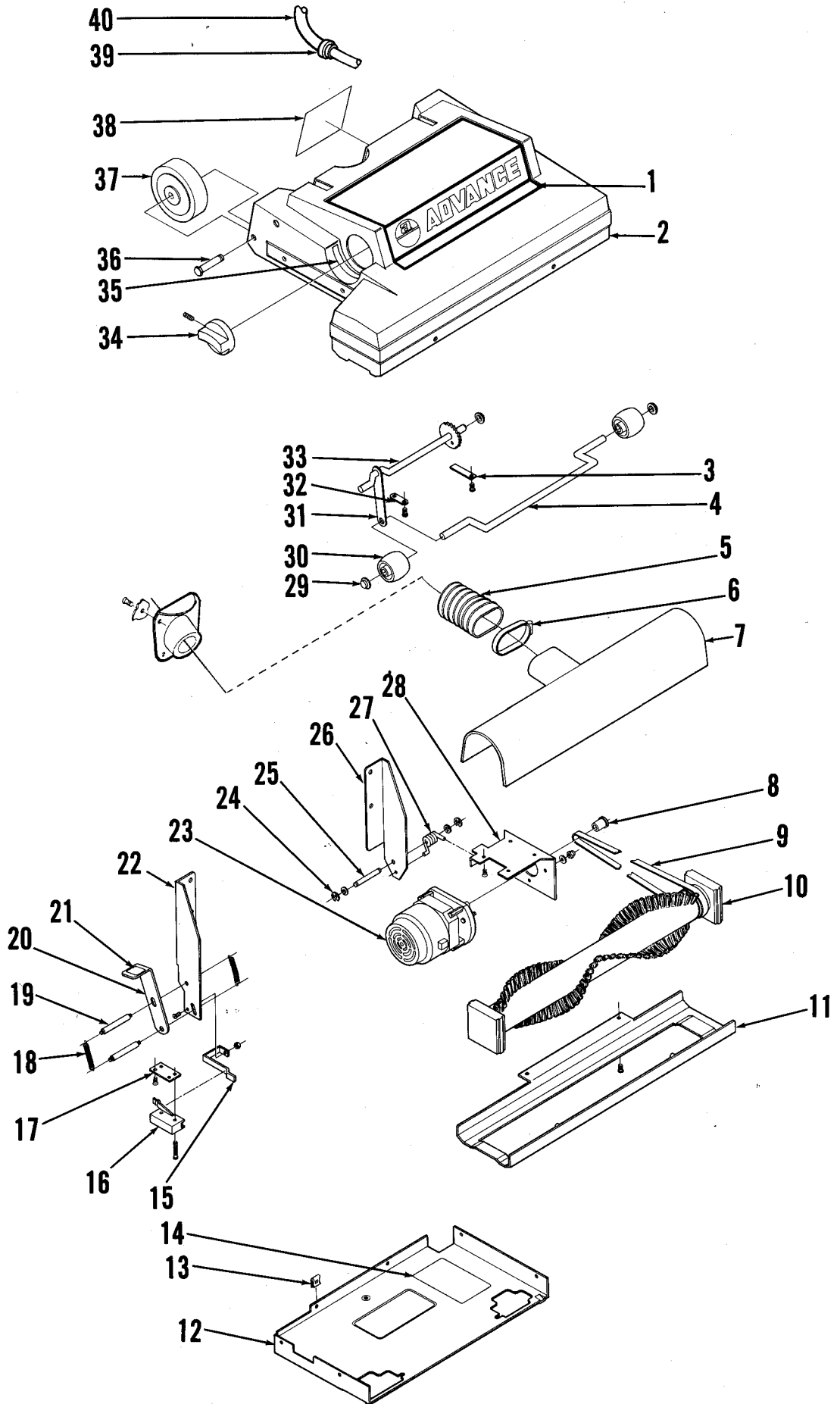
# INDEX FOR FORM NUMBER 042191

| <u>Description</u>      | <u>Location</u> | <u>Page</u> |
|-------------------------|-----------------|-------------|
| Bag Housing, Model 14   | C3              | 1           |
| Bag Housing, Model 14XP | C7              | 5           |
| Base                    | C5              | 3           |
| Motor, Vacuum           | C10             | 8           |
| Wiring Diagrams         | C9              | 7           |



## CARPETWIN 14 UPPER HOUSING

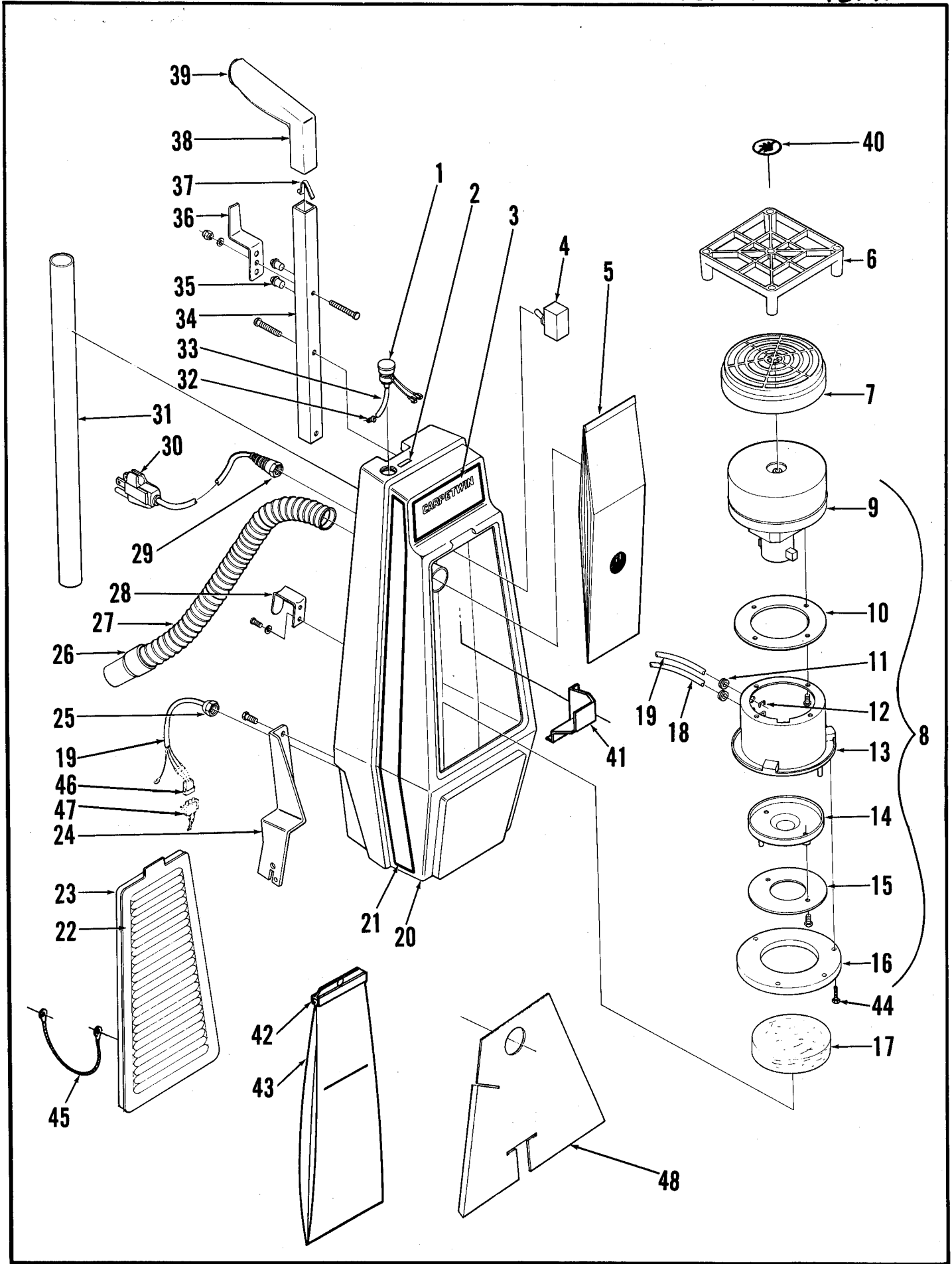
| I  | PART # | QTY | DESCRIPTION                      |
|----|--------|-----|----------------------------------|
|    | 323513 | 1   | UPPER HOUSING ASSEMBLY 115V      |
|    | 323515 | 1   | UPPER HOUSING ASSEMBLY 100V      |
| 1  | 323521 | 1   | HOUSING                          |
| 2  | 014271 | 1   | DECAL, CARPETWIN 14              |
| 3  | 030080 | 1   | DECAL, HANDS CLEAR               |
| 4  | 323041 | 1   | BAG SUPPORT                      |
| 5  | 384898 | 1   | FILTER                           |
| 6  | 325096 | 1   | VACUUM MOTOR 115V, 100V          |
|    | 203518 | 1   | CARBON BRUSH SET FOR ABOVE MOTOR |
| 7  | 209325 | 1   | GASKET                           |
| 8  | 467171 | 2   | GROMMET                          |
| 9  | 162981 | 2   | STRAIN RELIEF                    |
| 10 | 323039 | 1   | CUP                              |
| 11 | 323044 | 1   | INNER BAFFLE                     |
| 12 | 323049 | 1   | OUTER BAFFLE                     |
| 13 | 323064 | 1   | GASKET                           |
| 14 | 323512 | 1   | VACUUM MOTOR ASSEMBLY 115V, 100V |
| 15 | 900233 | 3   | SCREW                            |
| 16 | 323065 | 1   | EXHAUST FILTER                   |
| 17 | 323532 | 1   | CORD ASSEMBLY 115V, 100V         |
| 18 | 323060 | 1   | CORD ASSEMBLY 115V               |
|    | 323112 | 1   | CORD ASSEMBLY 100V               |
| 19 | 323557 | 1   | SHIELD                           |
| 20 | 324536 | 1   | DISPOSABLE BAG, PKG OF 6         |
| 21 | 324530 | 1   | CLOTH BAG                        |
| 22 | 323096 | 1   | GASKET                           |
| 23 | 323087 | 1   | WIRE ROPE                        |
| 24 | 325324 | 1   | GASKET                           |
| 25 | 323026 | 1   | COVER (INCLUDES GASKET & CABLE)  |
| 26 | 320676 | 1   | BAG CLIP                         |
| 27 | 323526 | 1   | RIGHT BRACKET                    |
|    | 323525 | 1   | LEFT BRACKET (NOT SHOWN)         |
| 28 | 261149 | 1   | CONNECTOR PLUG                   |
| 29 | 900217 | 1   | CONNECTOR SOCKET                 |
| 30 | 323092 | 1   | STRAIN RELIEF                    |
| 31 | 014270 | 1   | DECAL, RIGHT                     |
|    | 014269 | 1   | DECAL, LEFT (NOT SHOWN)          |
| 32 | 442011 | 1   | CLAMP                            |
| 33 | 323073 | 1   | CORD HOOK                        |
| 34 | 323543 | 1   | HOSE                             |
| 35 | 300602 | 1   | TUBE                             |
| 36 | 323046 | 1   | STRAIN RELIEF TSB 507, G-12      |
| 37 | 323062 | 1   | TUBE                             |
| 38 | 361321 | 2   | BULLET CATCH                     |
| 39 | 323074 | 1   | CORD HOOK                        |
| 40 | 706226 | 1   | SNAP BUTTON                      |
| 41 | 706220 | 1   | HANDLE                           |
| 42 | 706224 | 1   | PLUG                             |



## BASE ASSEMBLY

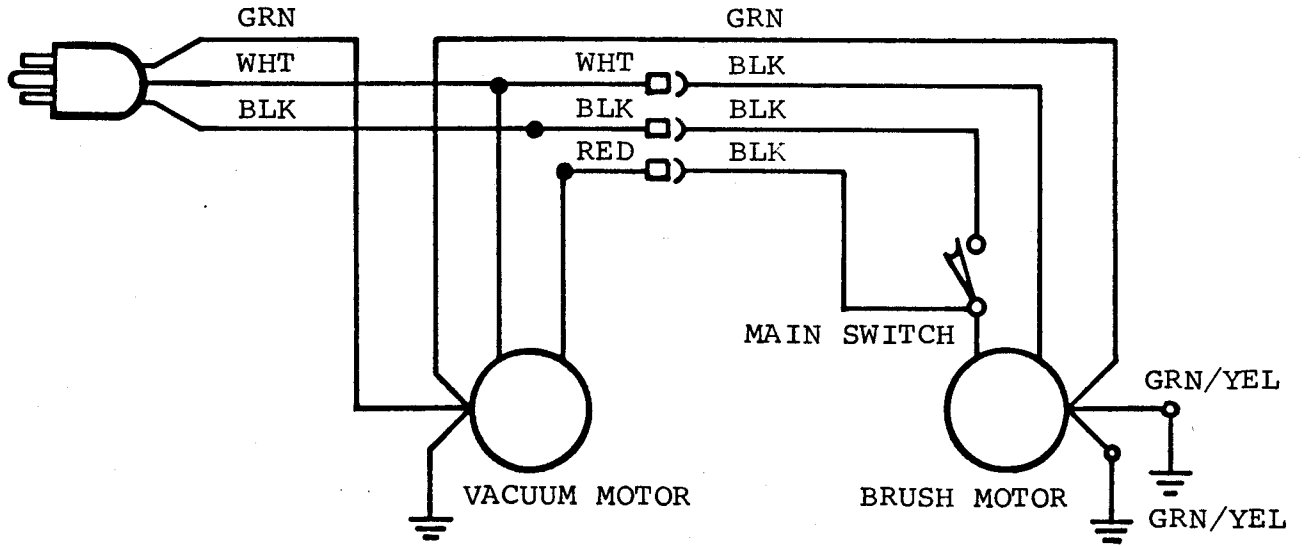
| I  | PART # | QTY | DESCRIPTION                       |
|----|--------|-----|-----------------------------------|
|    | 323511 | 1   | BASE ASSEMBLY 115V                |
|    | 323514 | 1   | BASE ASSEMBLY 100V                |
|    | 323577 | 1   | BASE ASSEMBLY XP                  |
| 1  | 014345 | 1   | DECAL, ADVANCE                    |
| 2  | 323536 | 1   | BASE 115V, 100V                   |
|    | 323578 | 1   | BASE XP                           |
| 3  | 329512 | 1   | RATCHET STOP                      |
| 4  | 323546 | 1   | AXLE                              |
| 5  | 323543 | 1   | HOSE 115V, 100V                   |
|    | 323580 | 1   | HOSE XP                           |
| 6  | 440213 | 1   | HOSE CLAMP                        |
| 7  | 323522 | 1   | BRUSH INSERT                      |
| 8  | 323024 | 1   | PULLEY REF. TSB 518, G-10         |
| 9  | 323538 | 1   | BELT                              |
| 10 | 323530 | 1   | BRUSH ASSEMBLY                    |
| 11 | 323556 | 1   | SHOE                              |
| 12 | 323550 | 1   | BOTTOM PAN                        |
| 13 | 329575 | 6   | SPRING NUT                        |
| 14 | 014174 | 1   | DECAL, WIRING 115V                |
|    | 014479 | 1   | DECAL, WIRING 100V                |
|    | 014053 | 1   | DECAL, WIRING XP                  |
| 15 | 323558 | 1   | SWITCH BRACKET                    |
| 16 | 388019 | 1   | SWITCH 115, 100V                  |
| 17 | 329058 | 1   | BRACKET                           |
| 18 | 321087 | 2   | SPRING                            |
| 19 | 329556 | 2   | PIVOT PIN                         |
| 20 | 323531 | 1   | PEDAL                             |
| 21 | 014084 | 1   | DECAL, RELEASE                    |
| 22 | 323526 | 1   | RIGHT BRACKET 115V, 100V          |
|    | 323575 | 1   | RIGHT BRACKET XP                  |
| 23 | 323537 | 1   | BRUSH MOTOR ASSEMBLY 115V         |
|    | 323516 | 1   | BRUSH MOTOR ASSEMBLY 100V         |
|    | 323581 | 1   | BRUSH MOTOR ASSEMBLY XP           |
|    | 323097 | 1   | CARBON BRUSH/SET FOR ABOVE MOTORS |
|    | 228051 | 2   | BEARING FOR ABOVE MOTORS          |
| 24 | 321427 | 2   | RETAINING RING                    |
| 25 | 402995 | 1   | PIN                               |
| 26 | 323525 | 1   | LEFT BRACKET 115V, 100V           |
|    | 323574 | 1   | LEFT BRACKET XP                   |
| 27 | 323539 | 1   | SPRING                            |
| 28 | 323523 | 1   | MOTOR MOUNT                       |
| 29 | 290935 | 3   | CAP                               |
| 30 | 329554 | 2   | ROLLER                            |
| 31 | 329517 | 1   | LINK                              |
| 32 | 329514 | 2   | RETAINER                          |
| 33 | 323554 | 1   | CRANK SHAFT                       |
| 34 | 324504 | 1   | KNOB                              |
| 35 | 021106 | 1   | DECAL, KNOB                       |
| 36 | 323545 | 2   | SCREW                             |
| 37 | 329521 | 2   | WHEEL                             |
| 38 | 014369 | 1   | DECAL, WARNING                    |
| 39 | 163015 | 1   | STRAIN RELIEF                     |
| 40 | 323532 | 1   | CORD ASSEMBLY 115V, 100V          |
| 41 | 323579 | 1   | HOSE ADAPTOR XP                   |

TB  
508  
G-11

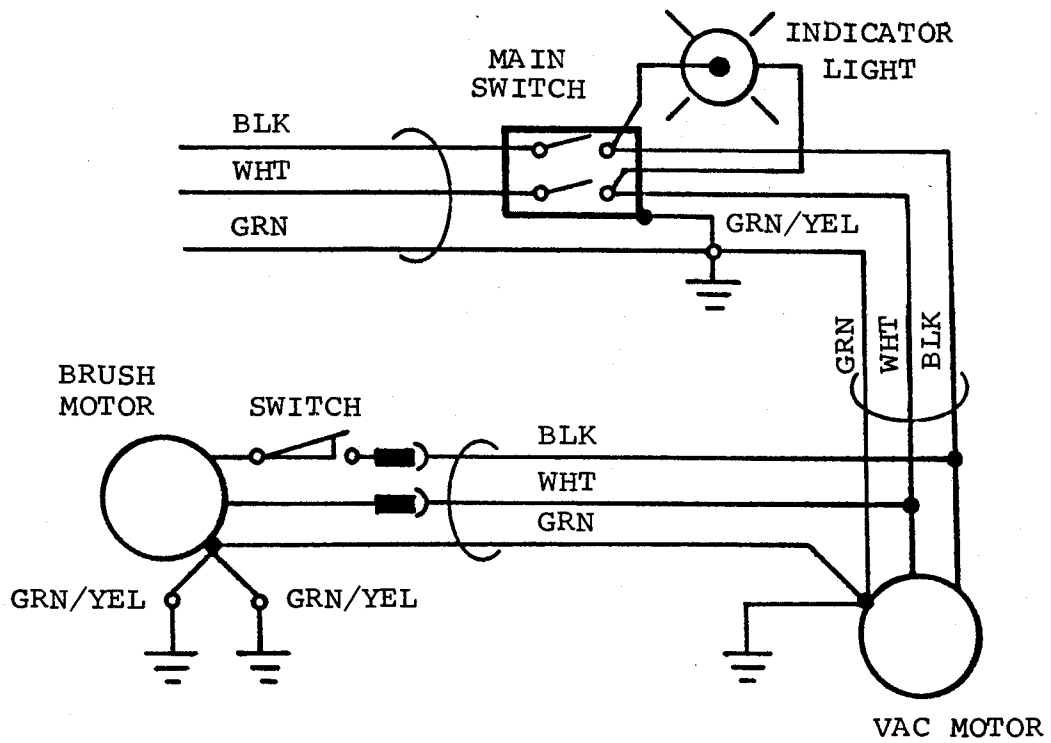


## CARPETWIN 14 XP

| I  | PART # | QTY | DESCRIPTION                      |
|----|--------|-----|----------------------------------|
|    | 323576 | 1   | UPPER HOUSING ASSEMBLY           |
| 1  | 323059 | 1   | LIGHT                            |
| 2  | 014107 | 1   | DECAL, BAG FULL                  |
| 3  | 014511 | 1   | DECAL, CARPETWIN                 |
| 4  | 323048 | 1   | SWITCH                           |
| 5  | 324536 | 1   | PAPER BAG 6 PK.                  |
| 6  | 323041 | 1   | BAG SUPPORT                      |
| 7  | 384898 | 1   | FILTER                           |
| 8  | 323070 | 1   | VACUUM MOTOR ASSEMBLY            |
| 9  | 300381 | 1   | VACUUM MOTOR                     |
|    | 203518 | 1   | CARBON BRUSH SET FOR ABOVE MOTOR |
| 10 | 209325 | 1   | GASKET                           |
| 11 | 467171 | 2   | GROMMET                          |
| 12 | 162981 | 2   | STRAIN RELIEF                    |
| 13 | 323039 | 1   | CUP                              |
| 14 | 323044 | 1   | INNER BAFFLE                     |
| 15 | 323049 | 1   | OUTER BAFFLE                     |
| 16 | 323064 | 1   | GASKET                           |
| 17 | 323065 | 1   | EXHAUST FILTER                   |
| 18 | 323058 | 1   | CORD ASSEMBLY                    |
| 19 | 323057 | 1   | CORD ASSEMBLY                    |
| 20 | 323050 | 1   | UPPER HOUSING                    |
| 21 | 014101 | 1   | DECAL, RIGHT STRIPE              |
|    | 014102 | 1   | DECAL, LEFT STRIPE               |
| 22 | 323026 | 1   | COVER                            |
| 23 | 323113 | 1   | GASKET                           |
| 24 | 323575 | 1   | RIGHT SUPPORT BRACKET            |
|    | 323574 | 1   | LEFT SUPPORT BRACKET             |
| 25 | 323067 | 1   | STRAIN RELIEF                    |
| 26 | 323081 | 1   | HOSE CUFF                        |
| 27 | 323023 | 1   | VACUUM HOSE                      |
| 28 | 323073 | 1   | CORD HOOK                        |
| 29 | 323046 | 1   | STRAIN RELIEF TSB 507, G-12      |
| 30 | 323060 | 1   | CORD SET                         |
| 31 | 323095 | 1   | WAND                             |
| 32 | 323045 | 1   | NIPPLE                           |
| 33 | 323063 | 1   | TUBE                             |
| 34 | 323062 | 1   | HANDLE TUBE                      |
| 35 | 361231 | 2   | BULLET CATCH                     |
| 36 | 323074 | 1   | CORD HOOK                        |
| 37 | 706226 | 1   | SNAP BUTTON                      |
| 38 | 706220 | 1   | HANDLE GRIP                      |
| 39 | 706224 | 1   | HANDLE PLUG                      |
| 40 | 030080 | 1   | DECAL, HANDS CLEAR               |
| 41 | 323068 | 1   | WIRING SHIELD                    |
| 42 | 320676 | 1   | BAG CLIP                         |
| 43 | 324530 | 1   | CLOTH BAG                        |
| 44 | 900233 | 3   | SCREW                            |
| 45 | 323087 | 1   | WIRE ROPE                        |
| 46 | 900217 | 1   | CONNECTOR SOCKET                 |
| 47 | 261146 | 1   | CONNECTOR PLUG                   |
| 48 | 323090 | 1   | SHIELD                           |



014174 WIRING DIAGRAM 115V  
014479 WIRING DIAGRAM 100V



014053 WIRING DIAGRAM 14XP

STANDARD VACUUM MOTOR

I PART # QTY DESCRIPTION

|    |        |   |                 |
|----|--------|---|-----------------|
|    | 325096 | 1 | VACUUM MOTOR    |
| 1  | 207285 | 2 | CLAMP           |
| 2  | 203518 | 2 | CARBON BRUSH    |
| 3  | 300406 | 1 | BRACKET         |
| 4  | 228377 | 1 | FIELD           |
| 5  | 228388 | 1 | FIBER WASHER    |
| 6  | 325084 | 1 | ARMATURE        |
| 7  | 228051 | 1 | BALL BEARING    |
| 8  | 203471 | 1 | CLAMPING WASHER |
| 9  | 202630 | 1 | FELT WASHER     |
| 10 | 325094 | 1 | BRACKET & SHELL |
| 11 | 203424 | 1 | SPACER          |
| 12 | 208191 | 1 | ROTATING FAN    |
| 13 | 203432 | 1 | WASHER          |
| 14 | 203440 | 1 | NUT             |
| 15 | 325088 | 1 | FAN SHELL       |

VACUUM MOTOR FOR XP MODEL

I PART # QTY DESCRIPTION

|    |        |   |                 |
|----|--------|---|-----------------|
|    | 300381 | 1 | VACUUM MOTOR    |
| 1  | 207285 | 2 | CLAMP           |
| 2  | 203518 | 2 | CARBON BRUSH    |
| 3  | 207234 | 1 | BRACKET         |
| 4  |        | 1 | FIELD           |
| 5  | 203513 | 1 | DISC            |
| 6  | 203549 | 1 | ARMATURE        |
| 7  | 228051 | 1 | BALL BEARING    |
| 8  | 203471 | 1 | CLAMPING WASHER |
| 9  | 203459 | 1 | FELT WASHER     |
| 10 | 301184 | 1 | BRACKET & SHELL |
| 11 | 203424 | 1 | SPACER          |
| 12 | 208191 | 1 | ROTATING FAN    |
| 13 | 203432 | 1 | WASHER          |
| 14 | 203440 | 1 | NUT             |
| 15 | 203491 | 1 | FAN SHELL       |
| 16 | 202843 | 1 | LOAD SPRING     |
| 17 | 228051 | 1 | BEARING         |
| 18 | 207268 | 1 | STATIONARY FAN  |
| 19 | 203516 | 1 | SPACER          |
| 20 | 208191 | 1 | ROTATING FAN    |

