



# Electronic Service Manuals

This electronic document is provided as a service to our customers. We do not create the contents of the information contained in this document. Should you have detailed questions pertaining to the information contained in this document, you may contact Michco, or the manufacturer which provided the original information in this electronic deliverable. Michco's only part in this electronic deliverable was the electronic assembly process.

You may contact Michco through the following methods:  
Phone (517) 484-9312 or (800) 331-3339 MI, OH, IN only  
2011 N. High St. -- Lansing, Michigan -- 48906  
Fax: (517) 484-9836  
Email: [CustServ@Michco.com](mailto:CustServ@Michco.com)  
Web site: [www.Michco.Com](http://www.Michco.Com)  
Parts Web site: [www.FloorMachineParts.Com](http://www.FloorMachineParts.Com)

Order Parts on Line at:  
**[www.FloorMachineParts.Com](http://www.FloorMachineParts.Com)**

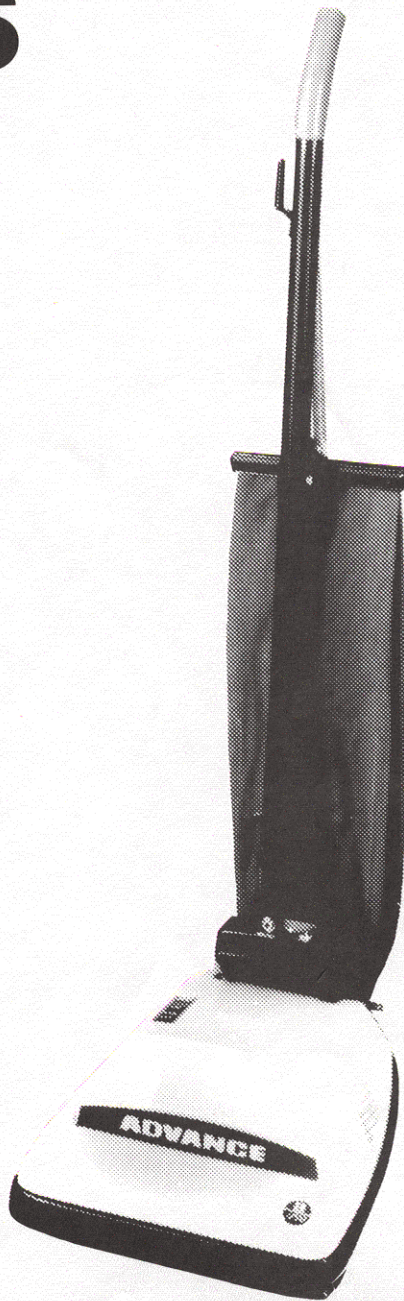
Directly to Parts & Service:  
By Email: **[Shop@Michco.com](mailto:Shop@Michco.com)**  
By Fax: (517) 702-2041  
By Voice: Use numbers above.

**Serving the Cleaning Industry Since 1922**

Notice: All copyrighted material remains property of original owners, all trademarks are property of respective owners. Manuals are subject to Manufacturer's reproduction limitations. Originals or reproductions were provided by manufacturers through a request. We make no warranty as to the correctness of information provided in this document and you assume all risk.

**COMMERCIAL VACUUM**  
**MODEL 1200B**

**PARTS**  
**LIST**



**ADVANCE**  
**MACHINE COMPANY**

INTERNATIONAL HEADQUARTERS, Spring Park, Minnesota 55384-0275  
EUROPE, 4 Rue Jean Engling, L-1466 Luxembourg  
CANADA, 1295 Crestlawn Drive, Mississauga, Ontario L4W 1A9

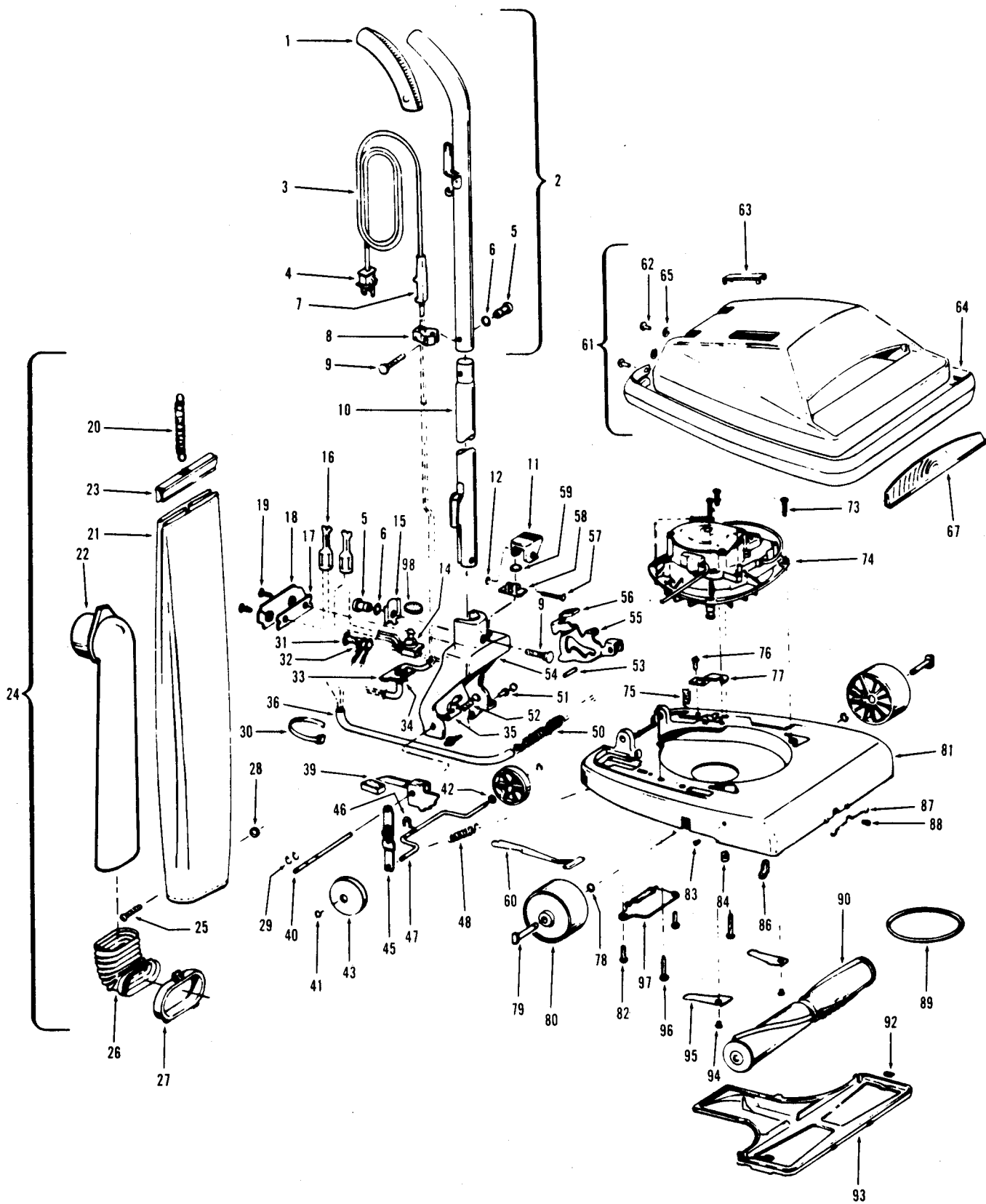


© 1985 Advance Machine Co. FORM NO. 042 119 11/84

# INDEX FOR FORM NUMBER 042119

<u>Description</u>	<u>Location</u>	<u>Page</u>
Brush	D2	2
Motor	D3	3
Vacuum Assembly	D1	1

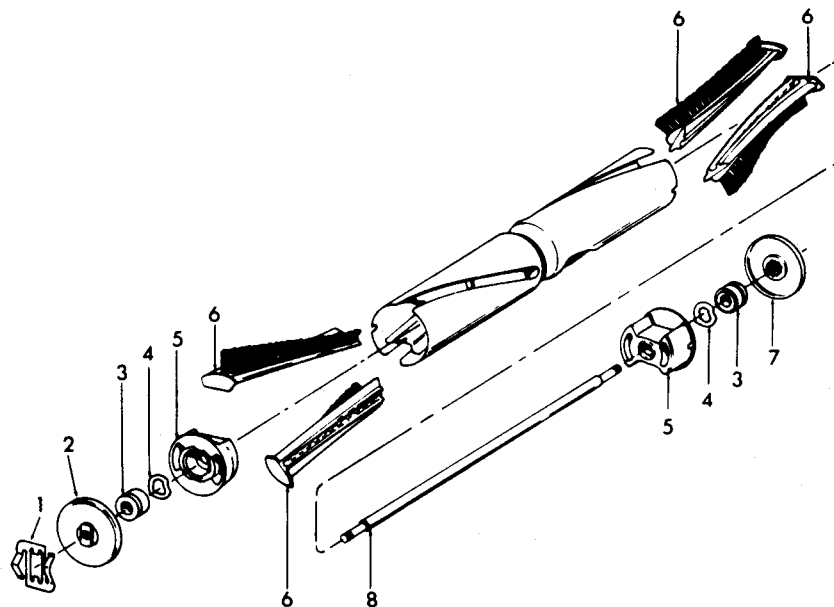
# MAIN ASSEMBLY



## MAIN ASSEMBLY

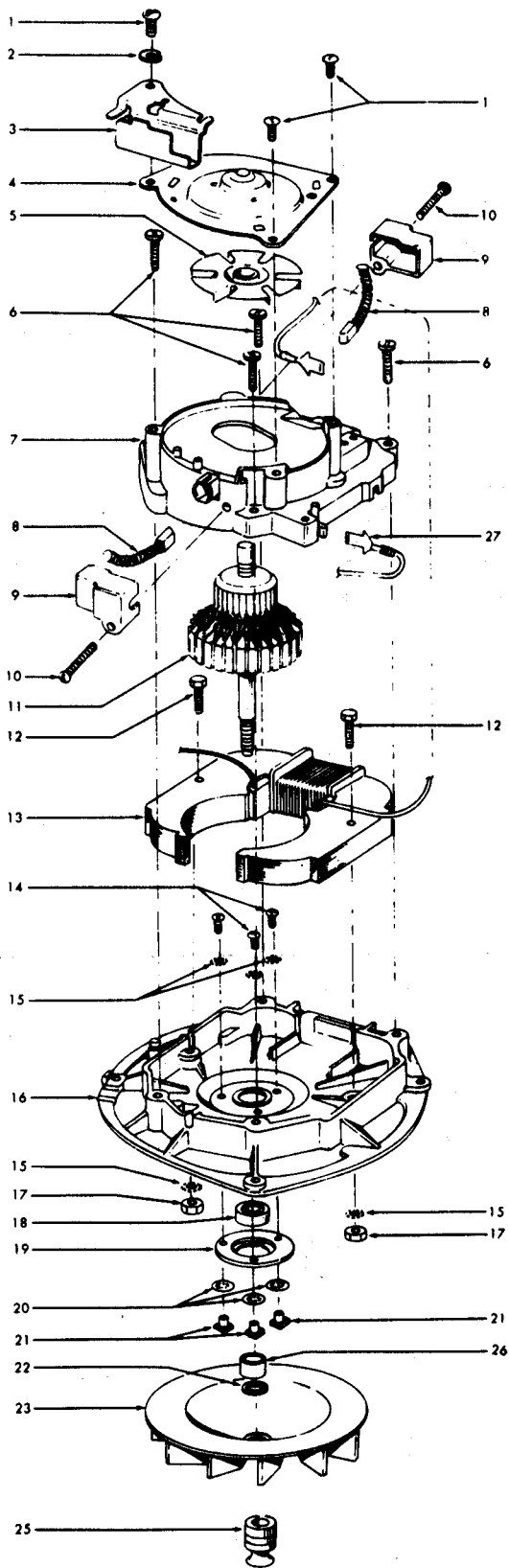
ITEM	PART NO.	DESCRIPTION	ITEM	PART NO.	DESCRIPTION
1	703058	Handle Grip	47	703310	Wheel Shaft
2	703060	Upper Handle-AG	48	703152	Spring
3	703062	Attachment Cord-AG-50	50	703312	Lead Spring
4	703064	Plug	51	703156	Roller Detent
5	703067	Nut	52	703158	Spring
6	703068	Washer	53	703160	Pivot Pin
7	703070	Cord Protector-AG	54	703163	Bail-AG
8	703072	Cord Clamp-AG	55	703318	Hdl. Control Lever-JM
9	703074	Bolt	56	703354	Foot Pad-AG
10	703076	Lower Handle-AG	57	703168	Shaft
11	703078	Switch Pedal-LC	58	703170	Mounting Bracket
12	703080	Circlip	59	703172	Nut
14	703084	Switch	60	703174	Indicator
15	703087	Handle Plate	61	703320	Hood-AJ
16	703088	Wire Nut	62	703178	Rivet
17	703090	Wire Protector	63	703180	Indicator Lens
18	703092	Bail Cover Plate-AG	64	703182	Furniture Guard
19	703094	Screw	65	703184	Washer
20	703096	Spring <i>TSB 527, G-11</i>	67	703322	Panel-LC
21	703098	Cloth Bag <i>TSB 527, G-11</i>	73	703324	Screw
22	703100	Bag Tube	74	703326	Motor
23	703102	Bag Clip & Spring <i>TSB 527, G-11</i>	75	703194	Spring
24	703104	Cloth Bag Complete <i>TSB 527, G-11</i>	76	703328	Screw
25	703106	Screw	77	703198	Pin Retainer
26	703108	Bellows	78	703200	Lock Ring
27	703110	Bag Flange	79	703202	Wheel Shaft
28	703112	Nut	80	703204	Carrier Wheel
29	703114	Lock Ring	81	703330	Main Casting
30	703116	Wire Tie	82	703332	Screw
31	703118	Screw	83	703208	Rivet
32	703120	Ring Terminal	84	703334	Washer
33	703122	Mounting Plate	86	703336	Retainer Spring
34	703124	Strain Relief	87	703340	Bottom Plate Spring
35	703126	Bag Flange Lever	88	703338	Rivet
36	703128	Tubing-AG	89	703010	Belt
39	703350	Adj. Lever	90	703012	Brush Roll
40	703136	Bail Shaft	92	703222	Support Pad
41	703306	Retainer	93	703342	Bottom Plate
42	703140	Washer	94	703344	Screw
43	703308	Rear Wheel	95	703346	Bottom Plate Latch
45	703352	Cam Follower	96	703230	Screw
46	703148	Yoke	97	703232	Axle/ Bag Retainer
			98	703288	Washer

## BRUSH ASSEMBLY



ITEM	PART NO.	DESCRIPTION	ITEM	PART NO.	DESCRIPTION
1	703314	Thrust Spring	5	703022	End
2	703316	Thread Guard	6	703024	Agitator Brush
3	703018	Bearing	7	703016	Thread Guard
4	703020	Spring Washer	8	703026	Shaft

# MOTOR ASSEMBLY



ITEM	PART NO.	DESCRIPTION
1	703234	Screw
2	703236	Washer
3	703238	Indicator Guide
4	703240	Upper Bearing
5	703242	Vent Fan
6	703244	Screw
7	703246	Upper Motor Casing
8	703360	Carbon Brush
9	703250	Brush Insulator
10	703252	Screw
11	703362	Armature
12	703256	Bolt
13	703258	Field Coil
14	703260	Screw
15	703262	Washer
16	703264	Lower Motor Case
17	703266	Nut
18	703268	Bearing
19	703270	Retainer
20	703272	Lock Washer
21	703274	Nut
22	703276	Washer
23	703278	Fan
25	703364	Motor Pulley
26	703284	Spacer
27	703286	Terminal

## WHEN ORDERING PARTS

- \* Use the 6 digit numbers from the "Part No." columns in this parts list.
- \* Specify model and serial number of the machine.

Use the space below to record the model and serial number for future reference.

MODEL

SERIAL NO.