



Electronic Service Manuals

This electronic document is provided as a service to our customers. We do not create the contents of the information contained in this document. Should you have detailed questions pertaining to the information contained in this document, you may contact Michco, or the manufacturer which provided the original information in this electronic deliverable. Michco's only part in this electronic deliverable was the electronic assembly process.

You may contact Michco through the following methods:
Phone (517) 484-9312 or (800) 331-3339 MI, OH, IN only
2011 N. High St. -- Lansing, Michigan -- 48906
Fax: (517) 484-9836
Email: CustServ@Michco.com
Web site: www.Michco.Com
Parts Web site: www.FloorMachineParts.Com

Order Parts on Line at:
www.FloorMachineParts.Com

Directly to Parts & Service:
By Email: **Shop@Michco.com**
By Fax: (517) 702-2041
By Voice: Use numbers above.

Serving the Cleaning Industry Since 1922

Notice: All copyrighted material remains property of original owners, all trademarks are property of respective owners. Manuals are subject to Manufacturer's reproduction limitations. Originals or reproductions were provided by manufacturers through a request. We make no warranty as to the correctness of information provided in this document and you assume all risk.

PARTS LIST

SPRITE

MODELS S550
S580
S112
S550-5
S580-5
S112-5
S550-J
S580-J

AFTER SERIAL NO. 928300
FORM NO. 042 116
OCTOBER 1984



ADVANCE
MACHINE COMPANY
INTERNATIONAL HEADQUARTERS, Spring Park, Minnesota 55384-0275
EUROPE, 4 Rue Jean Engling, L-1466 Luxembourg
CANADA, 1295 Crestlawn Drive, Mississauga, Ontario L4W 1A9

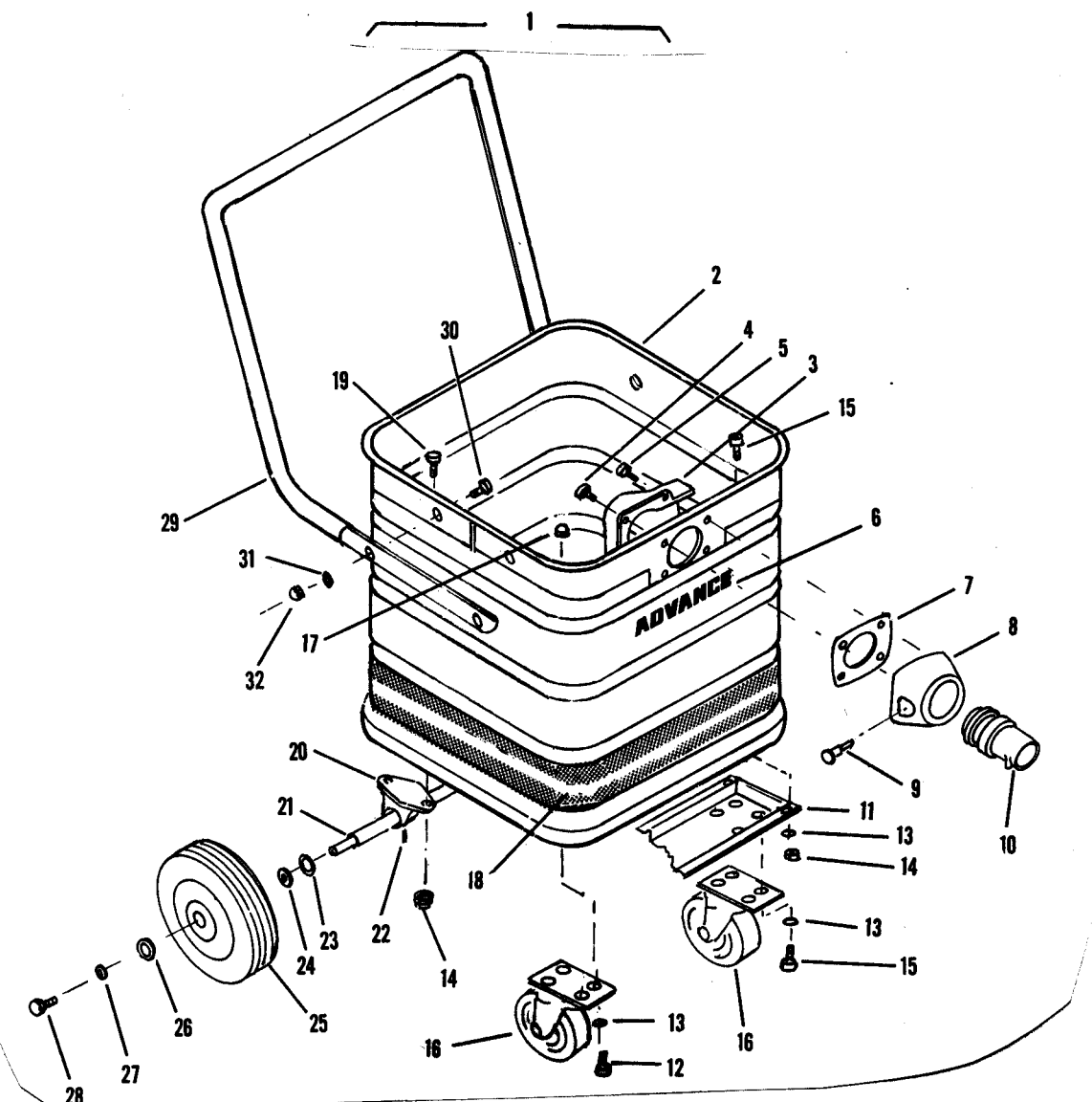


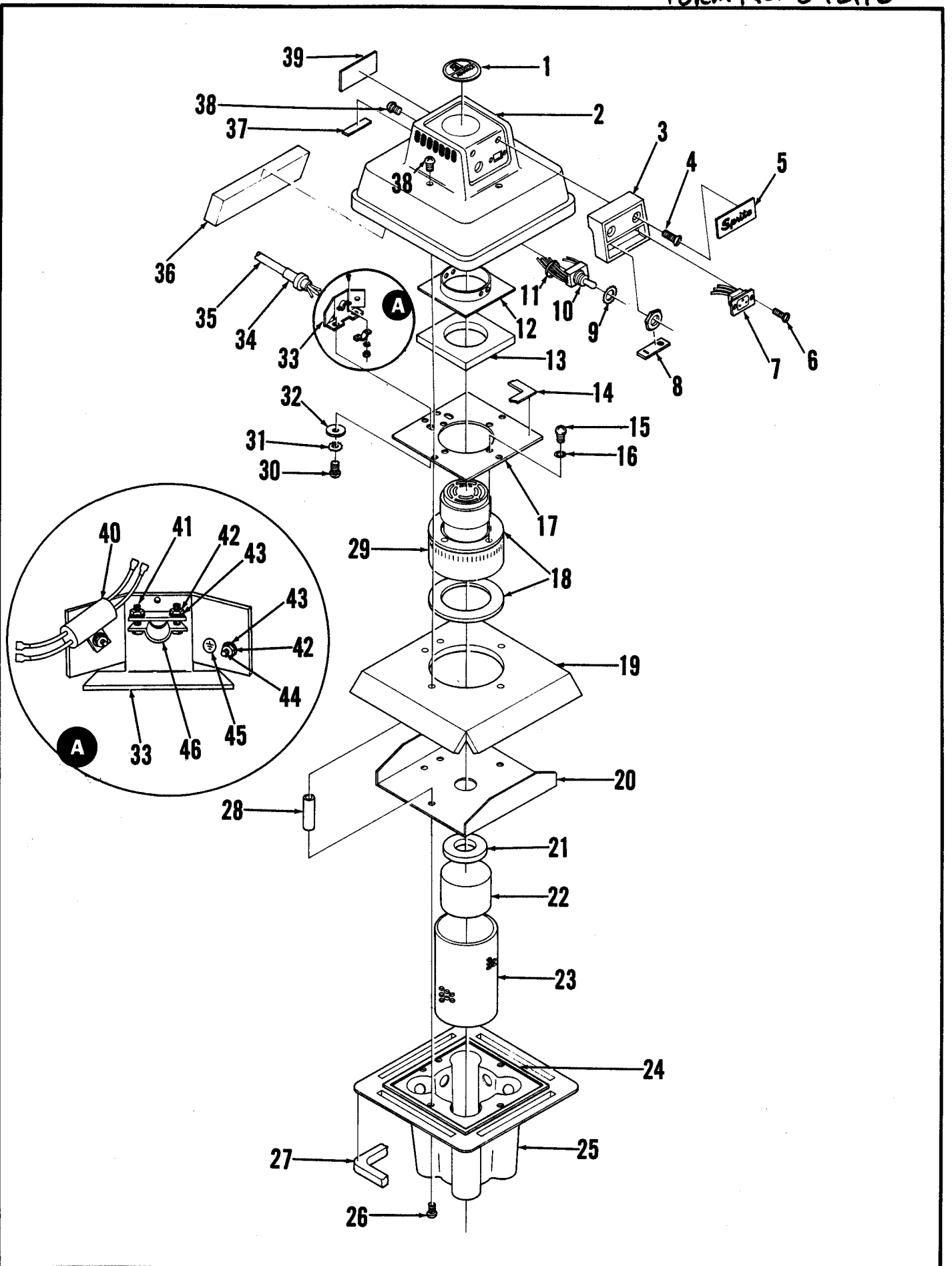
Index for Form Number 042116

Description	Location	page
Motor, Vacuum	D10	4
Tank	D7	1
Vacuum Head	D8	2
Wiring Diagram	D11	5

PICK-UP TANK

Item	Part No.	Qty	Description	Item	Part No.	Qty	Description
1	209416	1	Tank Assembly, 5	16	201693	2	Caster
	209625	1	Tank Assembly, 8	17	209720	8	Nut, SS Acom 10-24 (5, 8)
	209700	1	Tank Assembly, 12	18	023216	1	Decal, Stripe (2 on 12)
2	209812	1	Tank with Decals, 5	19	209486	4	Screw SS 10-24 x .75
	209411	1	Tank with Decals, 8	20	201618	1	Axle Block, Right
	209814	1	Tank with Decals, 12		201626	1	Axle Block, Left
3	201 921	1	Deflector	21	209420	1	Axle, 5, 8
4	209521	3	Screw SS 10-16 x 1.0		209712	1	Axle, 12
5	209519	1	Screw SS 10-16 x .75	22		2	Screw, Socket Set 1/4-20 x.25
6	023218	1	Decal, Advance 5, 8	23	155411	2	Washer
	016519	1	Decal, Advance 12	24	155373	2	Washer, Bowed Spring
7	201390	1	Gasket	25	340111	2	Wheel 6", 5, 8
8	201386	1	Connector Assy, (includes #9)		346594	2	Wheel 8", 12
9	365548	1	Lock Pin Assembly	26	151114	2	Washer
10	201820	1	Adapter 1-1/2"	27		2	Lock Washer, 1/4 Spring
11	205824	1	Bracket, 12 only	28		2	Screw, Hex Head 1/4-20 x .50
12	209491	8	Screw SS 10 x .62 (5, 8 only)	29	209466	1	Handle, 5, 8
	209491	4	Screw SS 10 x .62 (12 only)		209715	1	Handle, 12
13		16	Lock Washer, Shakeproof 10	30	576518	4	Screw SS 1/4-20 x .625
14		16	Nut, Hex 10-24	31		4	Washer, Flat
15		8	Screw, 10-24 x .375 (12)	32		4	Nut, Cap 1/4-20

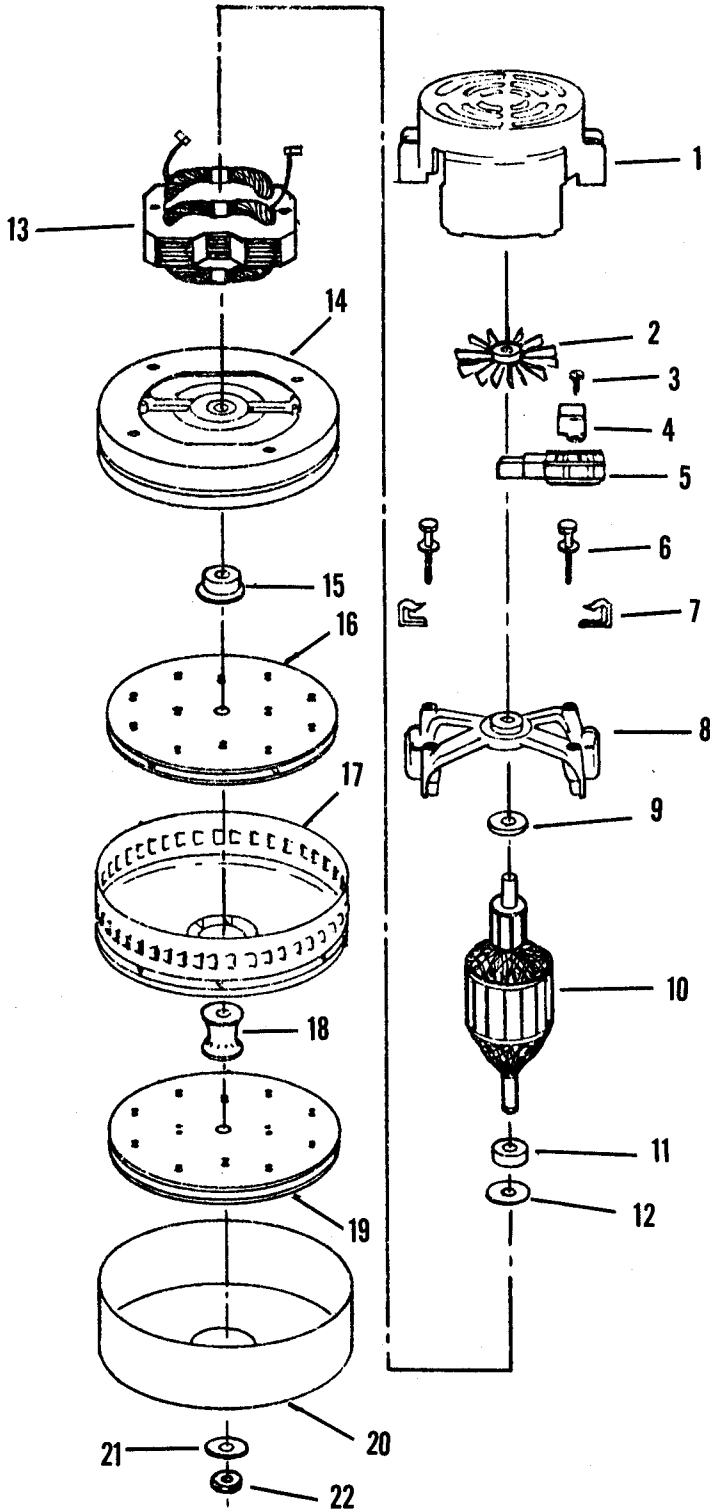




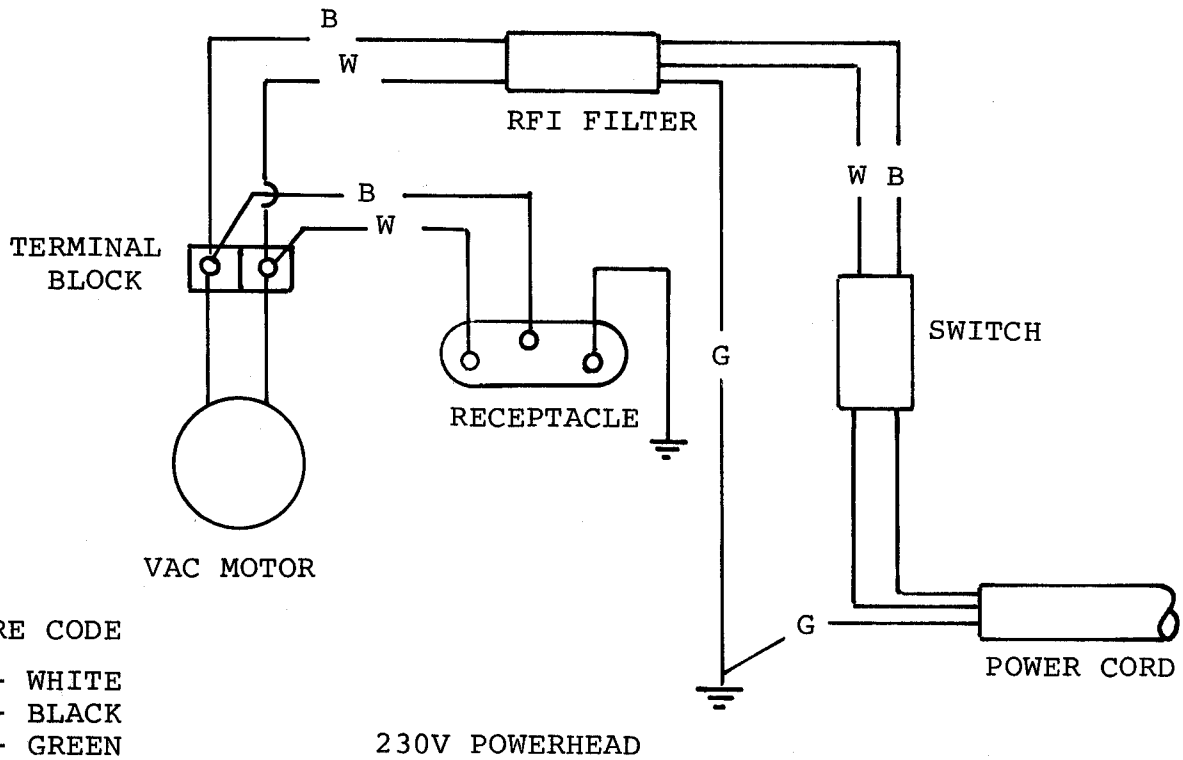
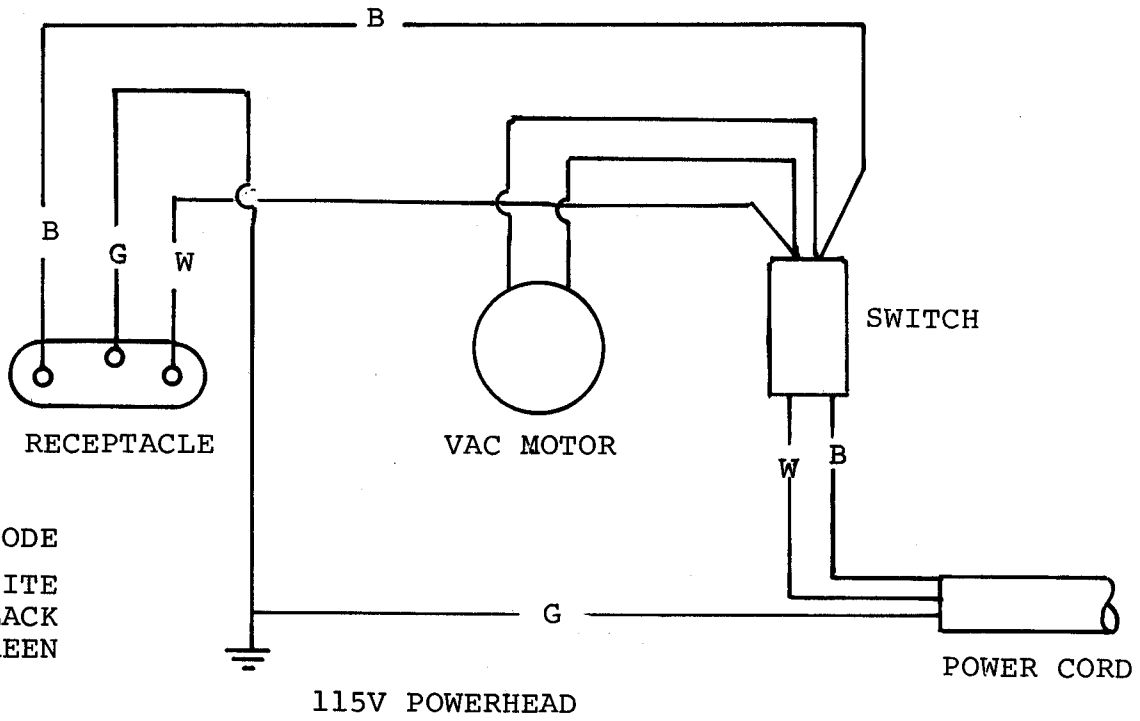
POWERHEAD

ITEM	PART NO.	QTY	DESCRIPTION
1	017 019	1	DECAL, ADVANCE 5, 8 GAL.
	015 326	1	DECAL, ADVANCE 12 GAL.
2	209 838	1	SHROUD, COVER 5, 8 GAL.
	209 765	1	SHROUD, COVER 12 GAL.
3	209 525	1	CONSOLE, SWITCH 5, 8 GAL.
	209 811	1	CONSOLE, SWITCH 12 GAL.
4		2	SCREW, FLAT HD #10-24 X 1 3/8
5	023 056	1	DECAL, SPRITE 5, 8 GAL.
	023 048	1	DECAL, SPRITE 12 GAL.
6	209 828	2	SCREW, PAN HD #6-32 X 1
7	209 876	1	RECEPTACLE ASSEMBLY 115V
	209 872	1	RECEPTACLE ASSEMBLY 230V
8	023 224	1	DECAL, ON-OFF
9		1	WASHER, SHAKEPROOF 7/16
10	207 077	1	SWITCH, TOGGLE 100V, 115V
	301 636	1	SWITCH, TOGGLE 230V
11		2	TIEWRAP
12	209 482	1	PLATE, RING 5, 8 GAL.
	209 820	1	PLATE, RING 12 GAL.
13	209 481	1	FOAM, SOUND REDUCTION 5, 8 GAL.
	209 816	1	FOAM, SOUND REDUCTION 12 GAL.
14	200 754	1	GASKET
15		4	SCREW #10-16 X 5/8
16		5	WASHER, SHAKEPROOF #10
17	209 863	1	PLATE 5, 8 GAL.
	209 862	1	PLATE 12 GAL.
18	209 325	2	GASKET
19	209 476	1	FOAM, SOUND REDUCTION 5, 8 GAL.
	209 768	1	FOAM, SOUND REDUCTION 12 GAL.
20	209 436	1	PLATE, COVER 5, 8 GAL.
	209 766	1	PLATE, COVER 12 GAL.
21	206 128	1	GASKET
22	209 571	1	FLOAT
23	209 566	1	SHIELD, PERFORATED
24	300 314	36"	GASKET
25	209 430	1	HOUSING, FLOAT 5, 8 GAL.
	209 758	1	HOUSING, FLOAT 12 GAL.
26	209 488	5	SCREW
27	209 432	1	GASKET 5, 8 GAL.
	209 763	1	GASKET 12 GAL.
28	209 440	5	SPACER
29	207 802	1	MOTOR 115V, 100V
	202 290	1	MOTOR 230V
30		2	SCREW #8-32 X 3/8
31		4	WASHER, SHAKEPROOF #8
32	203 874	2	WASHER
33	209 834	1	BRACKET, WINGED 5, 8 GAL.
	209 836	1	BRACKET, WINGED 12 GAL.
34	300 602	1	TUBE, RUBBER
35	209 627	1	CORD SET 100V
	570 680	1	CORD SET 115V
	209 769	1	CORD SET 230V
36	209 461	1	FILTER
37	015 074	1	DECAL, LINT SCREEN
38	570 220	6	SCREW
39	015 084	1	DECAL, WARNING
40	387 426	1	FILTER ASSEMBLY, RFI (230V ONLY)
41		2	SCREW, PAN HD #8-32 X 1/2
42		4	NUT, HEX #8-32
43		6	WASHER, SHAKEPROOF #8
44		2	SCREW, PAN HD #8-32 X 3/4
45	014 119	1	DECAL, GROUND (230V ONLY)
46	300 542	1	CLAMP, CORD

VACUUM MOTOR



ITEM	PART NO	QTY	DESCRIPTION
1	202 300	1	HOUSING
2	203 591	1	FAN
3	203 263	4	SCREW
4	207 285	2	CLAMP
5	203 518	2	BRUSH MECHANISM (SET)
6	203 494	2	SCREW
7	202 302	2	CLIP
8	202 306	1	BRACKET
9	228 388	1	FIBRE WASHER
10	208 160	1	ARMATURE 115V
	202 308	1	ARMATURE 230V
11	228 051	1	BEARING
12	202 330	1	NEOPRENE WASHER
13	203 556	1	FIELD 115V
	208 090	1	FIELD 230V
14	202 332	1	FAN END BRACKET
15	203 424	1	SPACER
16	208 191	2	ROTATING FAN, 115V
	208 191	1	ROTATING FAN, 230V
17	203 394	1	STATIONARY FAN
18	203 426	1	SPACER
19	202 328	1	ROTATING FAN, 230V
20	203 594	1	FAN SHELL 115V
	202 326	1	FAN SHELL 230V
21	202 432	1	WASHER
22	203 440	1	NUT



WIRING DIAGRAM