



Electronic Service Manuals

This electronic document is provided as a service to our customers. We do not create the contents of the information contained in this document. Should you have detailed questions pertaining to the information contained in this document, you may contact Michco, or the manufacturer which provided the original information in this electronic deliverable. Michco's only part in this electronic deliverable was the electronic assembly process.

You may contact Michco through the following methods:
Phone (517) 484-9312 or (800) 331-3339 MI, OH, IN only
2011 N. High St. -- Lansing, Michigan -- 48906
Fax: (517) 484-9836
Email: CustServ@Michco.com
Web site: www.Michco.Com
Parts Web site: www.FloorMachineParts.Com

Order Parts on Line at:
www.FloorMachineParts.Com

Directly to Parts & Service:
By Email: **Shop@Michco.com**
By Fax: (517) 702-2041
By Voice: Use numbers above.

Serving the Cleaning Industry Since 1922

Notice: All copyrighted material remains property of original owners, all trademarks are property of respective owners. Manuals are subject to Manufacturer's reproduction limitations. Originals or reproductions were provided by manufacturers through a request. We make no warranty as to the correctness of information provided in this document and you assume all risk.

PAPOOSE

MODELS HA500

HA500-5

FORM NO. 042021

REV. DEC. 1982

PARTS LIST



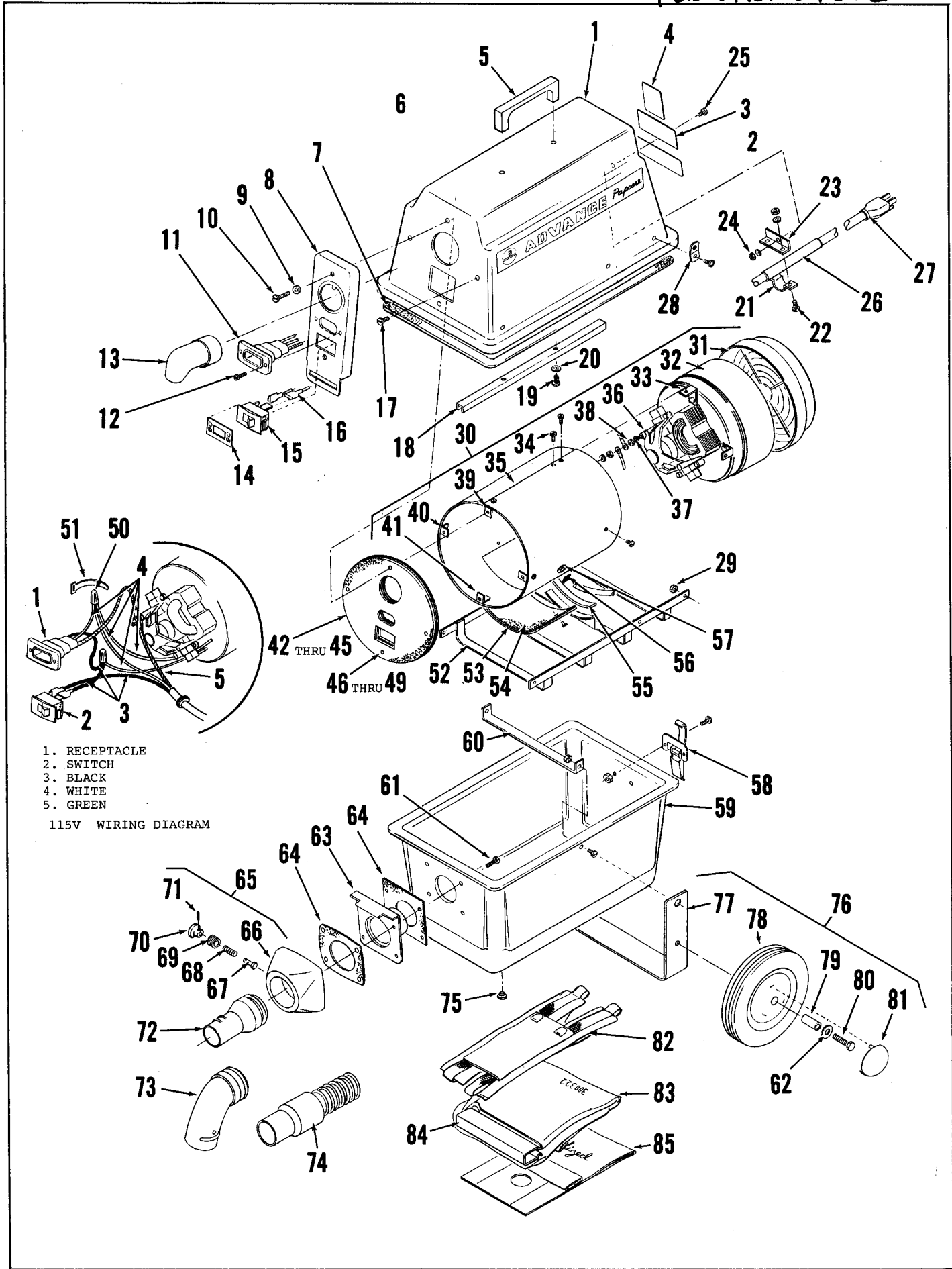
ADVANCE
MACHINE COMPANY

INTERNATIONAL HEADQUARTERS, Spring Park, Minnesota 55384 USA
EUROPE, 4 Rue Jean Engling, L-1466 Luxembourg
CANADA, 1295 Crestlawn Drive, Mississauga, Ontario L4W 1A9



Index for Form Number 042021

Description	Location	page
Cord & Switch, 230 Volt	D12	3
Motor, Vacuum	D13	4
Vacuum Assembly	D10	1



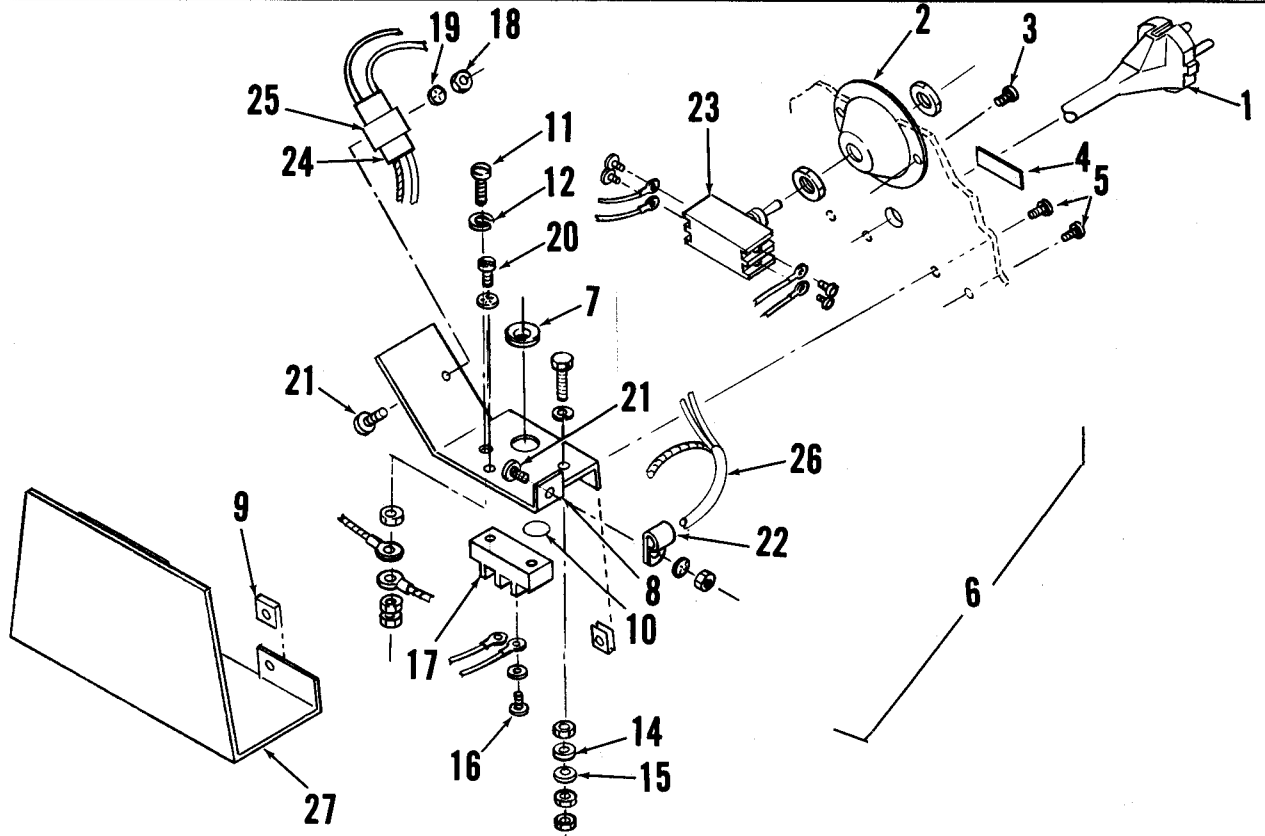
- 1. RECEPTACLE
- 2. SWITCH
- 3. BLACK
- 4. WHITE
- 5. GREEN

115V WIRING DIAGRAM

MAIN ASSEMBLY

MAIN ASSEMBLY

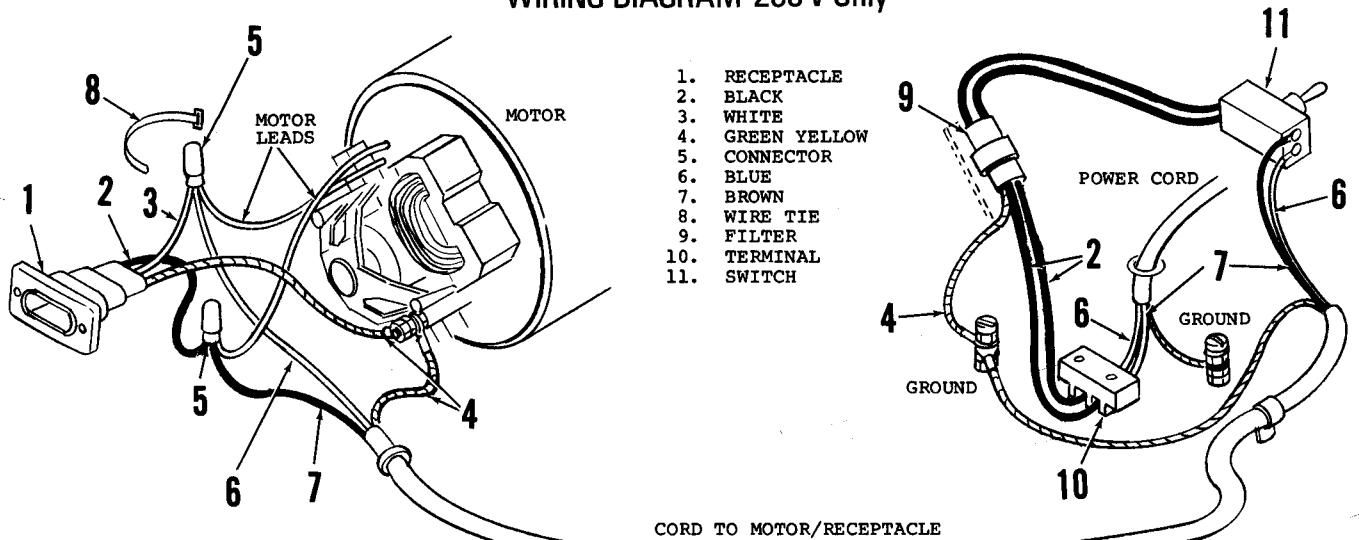
ITEM	PART NO	QTY	DESCRIPTION
1	301 346	1	HOUSING, 115V
	301 344	1	HOUSING, 230V
2	015 379	1	DECAL, WARNING
3	015 365	1	NAMEPLATE, ADVANCE 115V
	015 324	1	NAMEPLATE, ADVANCE 230V
4	015 314	1	DECAL, WARNING
5	300 101	1	HANDLE
6	015 332	2	DECAL, ADVANCE PAPOOSE
7	300 314	1	GASKET
8	301 374	1	PLATE ASSEMBLY, 115V
	301 312	1	PLATE ASSEMBLY, 230V
9		7	WASHER, SHAKEPROOF #8
10		2	SCREW, PAN HD. #8-32 x 1.50
11	301 370	1	RECEPTACLE ASSEMBLY
12	570 510	2	SCREW, BLK #6 x.375
13	300 802	1	DEFLECTOR
14	015 330	1	DECAL, ON-OFF 115V
15	325 140	1	SWITCH, ROCKER SPST 115V
16	330 884	1	WIRE ASSEMBLY, 115V
17		2	SCREW, PAN HD. #8-32 x.75
18	301 322	1	CHANNEL
19		10	SCREW, PAN HD. #10-24 x.50
20		2	WASHER, SHAKEPROOF #10
21	300 542	1	CLAMP, WIRE
22		2	SCREW, PAN HD. #8-32 x.50
23	171 434	1	BRACKET
24		6	NUT, HEX #8-32
25		6	SCREW, PAN HD. #8-32 x.375
26	301 396	1	STRAIN RELIEF
27	301 352	1	CORD SET ASSEMBLY, 115V
	300 227	1	CORD SET ASSEMBLY, 230V
28	300 225	1	BRACKET
29		8	NUT, HEX #10-24
30	301 362	1	VAC MOTOR ASS'Y. 115V (INCLS: ITEMS 30-41)
	301 382	1	VAC MOTOR ASS'Y. 230V (INCLS: ITEMS 30-41)
31	384 898	1	FILTER, VAC
32	300 381	1	VAC MOTOR, 115V
	300 411	1	VAC MOTOR, 230V
33	300 535	1	BRACKET, END
34		3	SCREW, PAN HD. #6-32 x.25
35	301 338	1	SHIELD, VAC MOTOR
36		1	SCREW, SOCKET SET #6-32 x 1.00
37		1	WASHER, SHAKEPROOF #6
38		4	NUT, #6-32
39	300 519	1	BRACKET, TOP
40	300 527	2	BRACKET, SIDES
41	300 500	1	BRACKET, BOTTOM
42	301 386	1	GASKET & PLATE ASSEMBLY 115V (INCLS: ITEMS 42-45)
43	301 380	1	PLATE WELDMENT
44	200 754	1	GASKET
45	301 358	1	FOAM, SOUND REDUCING
46	301 394	1	GASKET & PLATE ASSEMBLY 230V (INCLS: ITEMS 46-49)
47	301 354	1	PLATE WELDMENT
48	200 754	1	GASKET
49	301 340	1	FOAM, SOUND REDUCING
50	321 737	2	NUT WIRS
51	478 246	1	TIE, CABLE
52	301 368	1	BASKET
53	301 348	1	COVER
54	301 350	1	GASKET, COVER
55	320 099	1	GASKET
56	320 358	1	STRAIN RELIEF
57	301 308	1	GROMMET, 115V
	570 206	1	GROMMET, 230V
58	371 181	1	LATCH ASSEMBLY
59	301 330	1	HOUSING, BOTTOM
60	300 098	1	BRACKET
61	209 519	4	SCREW, PAN HD. S.T. #10-24 x.75
62		2	WASHER, 5/16
63	301 306	1	PLATE & TUBE ASSEMBLY
64	201 290	2	GASKET
65	201 386	1	COUPLER W/LOCK ASSEMBLY (INCLS: ITEMS 65-71)
66	201 377	1	CONNECTOR
67	201 391	1	PIN
68	201 448	1	SPRING
69	201 383	1	SOCKET
70	201 405	1	KNOB
71	201 472	1	PIN
72	301 332	1	COUPLER, 1 1/2"
73	370 592	1	HOSE, ADAPTOR
74	300 853	1	HOSE ASSEMBLY, 1.50 x 48.00
75	300 829	4	RIVET, WEAR PAD
76	300 284	1	WHEEL ASSEMBLY (INCLS: ITEMS 76-81, 62)
77	300 268	1	BRACKET
78	300 233	2	WHEEL
79	300 241	2	SPACER
80		2	SCREW, HEX HD. CAP 5/16-18 x 1.50 W/LKW.
81	300 276	2	CAP, HUB
82	590 312	1	SHOULDER HARNESS
83	300 322	1	BAG, COLLECTOR
84	320 676	1	CLAMP, BAG
85	300 349	1	BAG, DISPOSABLE (PACK OF 10)
86	245 053	1	WIRE ASSEMBLY, #14 x 8.00 (NOT SHOWN)
87	330 884	1	WIRE ASSEMBLY, 115V (NOT SHOWN)



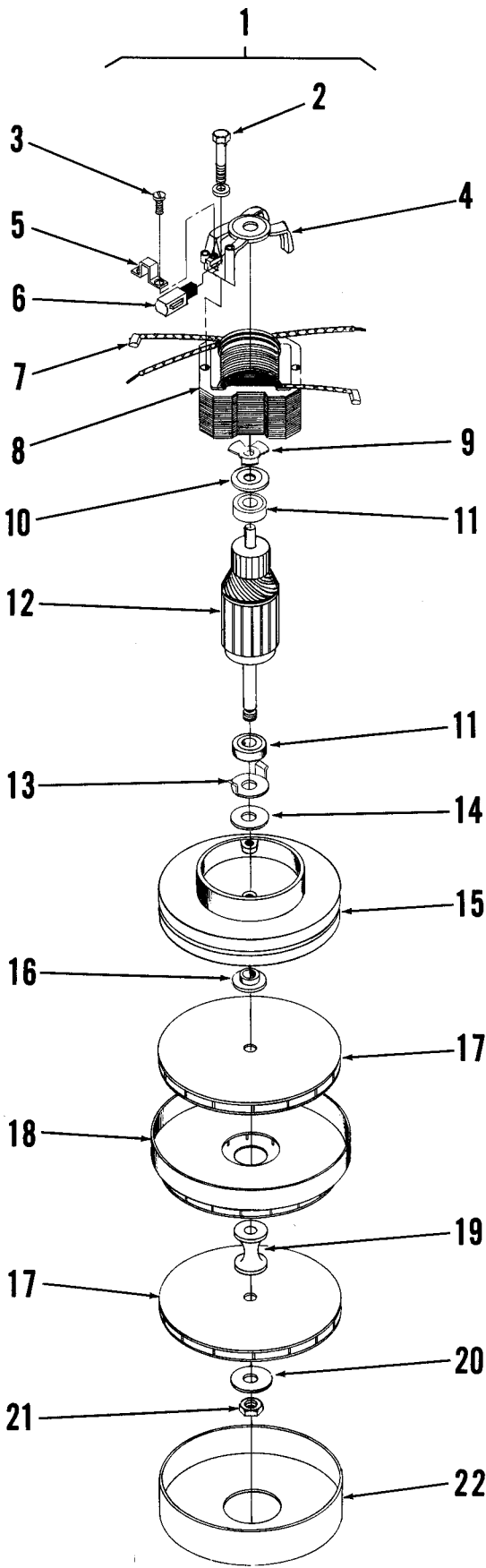
MODEL 500-5 230V Only

ITEM	PART NO	QTY	DESCRIPTION	ITEM	PART NO	QTY	DESCRIPTION
1	300 227	1	CORD ASSEMBLY	16	290 574	2	SCREW/WASHER
2	301 320	1	GUARD, SWITCH	17	290 572	1	TERMINAL BLOCK
3		4	SCREW, PAN HD. #6-32 x .375	18		2	NUT, #10-32
4	015 080	1	DECAL, ON-OFF	19		4	WASHER, SHAKEPROOF #10
5		5	SCREW, #8-32 x .375	20		2	SCREW, PAN HD. S.T. #10-24 x.50
6	301 326	1	HARNES ASS'Y, (INCLS: ITEMS 7-26)	21		2	SCREW, PAN HD. #10-32 x.50
7	163 007	1	GROMMET	22	300 152	1	CLAMP, CORD
8	301 318	1	PLATE	23	301 636	1	SWITCH
9	255 874	2	NUT, SPRING #8-32	24	328 067	1	FILTER RFI
10	014 119	1	DECAL, GROUND SYMBOL	25	328 064	1	CLAMP
11		2	SCREW, PAN HD. #8-32 x .75	26	301 314	1	CORD ASSEMBLY
12		4	WASHER, SHAKEPROOF #8	27	301 392	1	PROTECTOR, ASSEMBLY
13		6	NUT, #8-32				
14	325 274	1	WASHER, CUPPED				
15	325 276	1	WASHER, SIMPSON #8				

WIRING DIAGRAM 230V Only



VACUUM MOTOR



ITEM	PART NO	QTY	DESCRIPTION
1	300381	1	MOTOR, VAC 115V
	300411	1	MOTOR, VAC 230V
2	203494	2	SCREW
3	203263	4	SCREW
4	207234	1	BRACKET, COMMUTATOR END 115V
	300406	1	BRACKET, COMMUTATOR END 230V
5	207285	2	CLAMP, BRUSH
6	203518	1 SET	BRUSH MECHANISM
7	203584	2	CLIP, 230V
	203557	1	FIELD, 115V
8		1	FIELD, 230V
9	202843	1	SPRING, LOAD 115V
10	203513	1	DISC, 115V
	228051	2	BEARING
11	228051	1	BEARING 230V
12	203549	1	ARMATURE
13	203471	1	WASHER, CLAMPING
14	203459	1	WASHER, FELT
	301184	1	BRACKET & SHELL ASSEMBLY 115V
15	301184	1	BRACKET & SHELL ASSEMBLY
16	203424	1	SPACER
17	208191	4	FAN, ROTATING
18	207268	1	FAN, STATIONARY
19	203516	1	SPACER
20	203432	1	WASHER
21	203440	1	NUT
22	203491	1	SHELL, FAN