



Electronic Service Manuals

This electronic document is provided as a service to our customers. We do not create the contents of the information contained in this document. Should you have detailed questions pertaining to the information contained in this document, you may contact Michco, or the manufacturer which provided the original information in this electronic deliverable. Michco's only part in this electronic deliverable was the electronic assembly process.

You may contact Michco through the following methods:
Phone (517) 484-9312 or (800) 331-3339 MI, OH, IN only
2011 N. High St. -- Lansing, Michigan -- 48906
Fax: (517) 484-9836
Email: CustServ@Michco.com
Web site: www.Michco.Com
Parts Web site: www.FloorMachineParts.Com

Order Parts on Line at:
www.FloorMachineParts.Com

Directly to Parts & Service:
By Email: **Shop@Michco.com**
By Fax: (517) 702-2041
By Voice: Use numbers above.

Serving the Cleaning Industry Since 1922

Notice: All copyrighted material remains property of original owners, all trademarks are property of respective owners. Manuals are subject to Manufacturer's reproduction limitations. Originals or reproductions were provided by manufacturers through a request. We make no warranty as to the correctness of information provided in this document and you assume all risk.

ADVANCE

PARTS LIST

AND OPERATION MANUAL

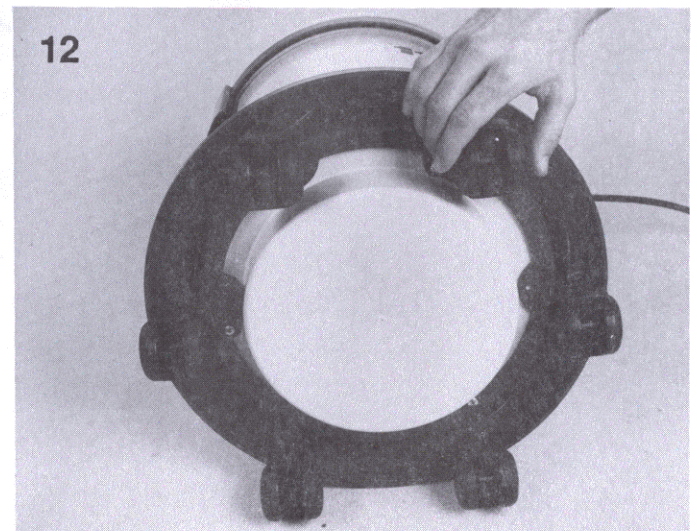
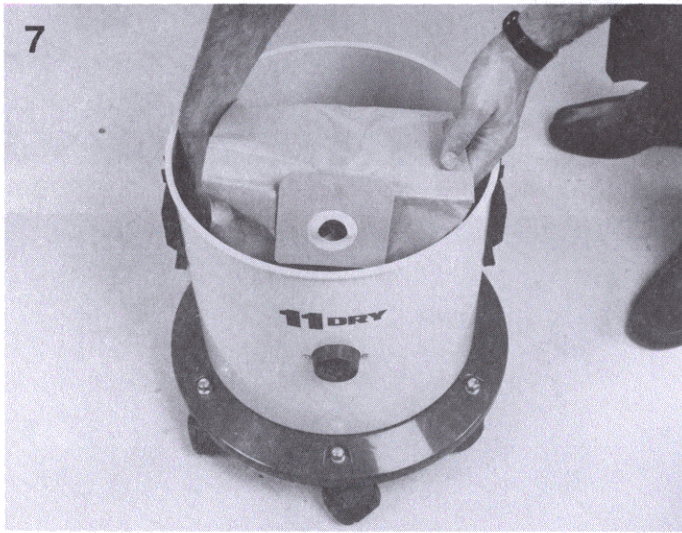
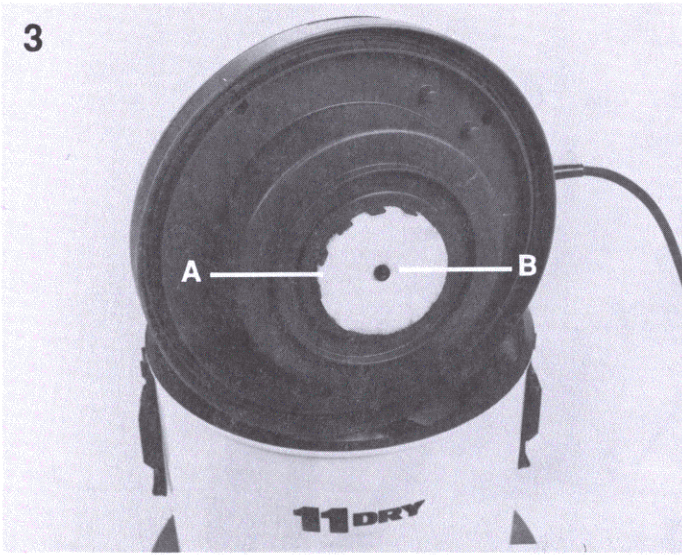
Metrik™ 8 Dry

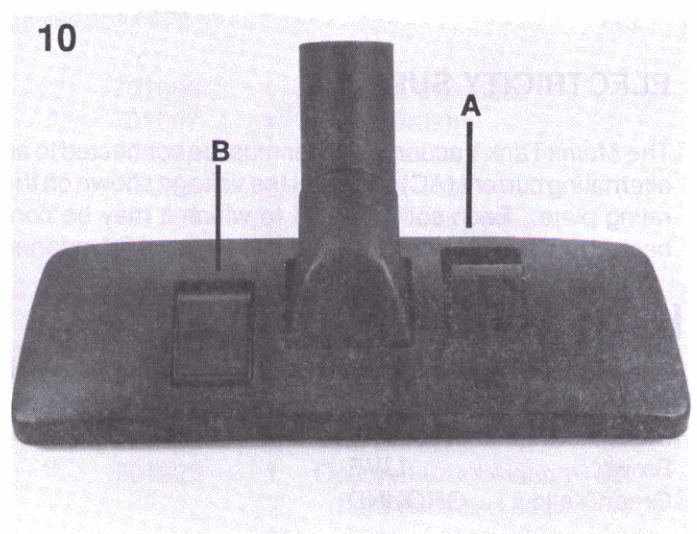
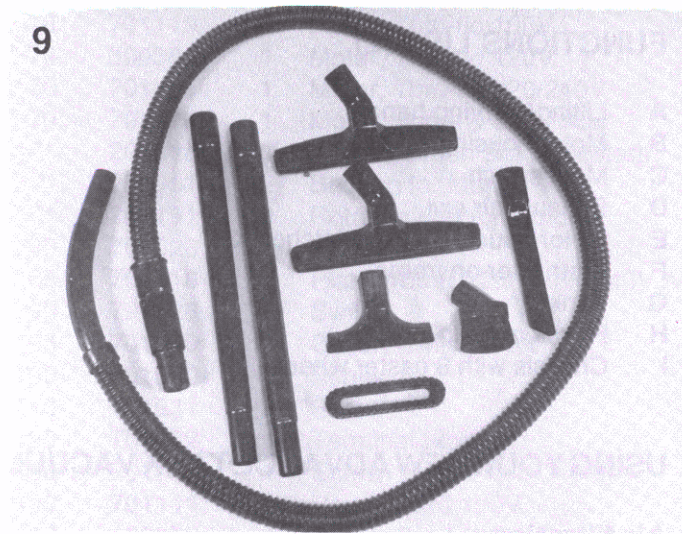
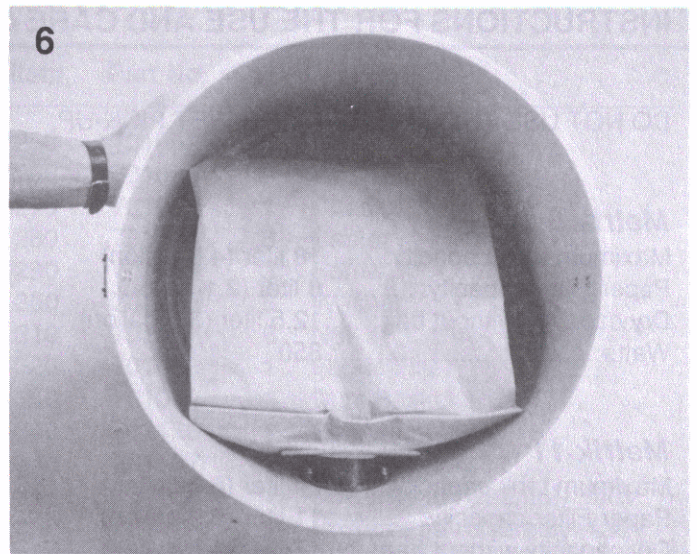
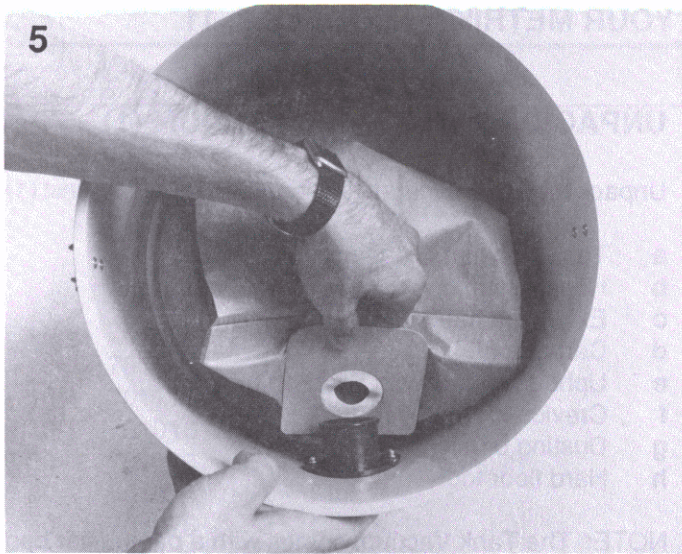
Models 701003, 701004, 701005,
701124

Metrik™ 11 Dry

Models 701006, 701007, 701008,
701125







INSTRUCTIONS FOR THE USE AND CARE OF YOUR METRIK™, MODELS 8, 11

DO NOT USE THIS MACHINE FOR WET PICK-UP.

Metrik 8

Maximum tank capacity: 18 liter (4.8 gallon)
Paper Filter capacity: 8 liter (2.1 gallon)
Dry capacity without bag: 12.5 liter (3.3 gallon)
Watts: 850

Metrik 11

Maximum tank capacity: 24 liter (6.3 gallon)
Paper Filter capacity: 11 liter (2.9 gallon)
Dry capacity without bag: 17 liter (4.5 gallon)
Watts: 850

ELECTRICITY SUPPLY

The *Metrik* Tank Vacuum Cleaner must be connected to an alternating current (AC) supply at the voltage shown on the rating plate. Each socket outlet to which it may be connected must have a capacity of not less than 13 Amperes.

IMPORTANT!

The wires in the main lead are colored in accordance with the following code:

Blue NEUTRAL
Brown LIVE
Green/Yellow GROUND

WARNING!

THIS APPLIANCE MUST BE GROUNDED.

NOTE: The following numbers (1), (2), (3), etc., relate to the illustrations on pages 1, 2 and 3. Illustrations are of the Metrik 11 model, but all instructions apply to both models, unless otherwise stated.

UNPACKING THE TANK VACUUM (1)

Unpack the Tank Vacuum and identify the part against (1).

- a Tank Vacuum Cleaner
- b Hose Assembly
- c Extension tubes (2)
- d Carpet tool
- e Upholstery tool with Slide-on brush
- f Crevice tool
- g Dusting brush
- h Hard floor tool

NOTE: The Tank Vacuum comes with a paper filter bag.

FUNCTIONS LIST (2)

- A Lifting/carrying handle
- B Motor housing
- C Main switch
- D Exhaust air exit
- E Motor housing to tank latches (2)
- F Cloth filter on frame
- G Tank
- H Hose coupling
- I Chassis with 6 caster wheels

USING YOUR NEW ADVANCE TANK VACUUM

Air filtration

Your Tank Vacuum has the facility for three types of air filtration: Paper filter bag, nylon mesh filter, and Cloth filter bag, providing filtration standards for most applications.

Fitting the paper filter bag (3), (4), (5)

Your Tank Vacuum comes with one paper filter bag. Before fitting a paper bag, ensure that the machine is switched "Off" and the plug is removed from the electricity supply. Remove the motor housing assembly by releasing the two latches which are attached to the container. Carefully lift motor housing (3) from the container and place aside on newspaper. Remove cloth filter with frame (4) and carefully place aside on newspaper.

To fit a paper filter bag (5), stretch the thin rubber sealing ring on the cardboard collar on to the inner hose entry molding and push into position. The bag is correctly positioned when the seams are at the tank surface.

NOTE: Push the cardboard collar from inside the folds of the paper bag.

Replace cloth filter with frame and motor housing, reposition the motor housing assembly correctly before securing with the container latches. Insert plug into main socket outlet, switch on, and commence cleaning.

Removing a full paper filter bag (6), (7)

Switch off the machine and remove plug from electrical supply. Remove motor housing and cloth filter with frame, (3, 4), place aside on newspaper. Carefully pull paper bag collar from hose entry molding (6). Using both hands (7), lift the full bag from the container and deposit in a dustbin. Replace paper filter bag when about two-thirds full. Refit new paper bag (3), (4), (5).

DO NOT USE THIS MACHINE FOR WET PICK-UP.

Connecting the "Crush Proof" hose (8)

Insert the swivel hose end into the container coupling and turn clockwise until secure. To remove, grip the swivel hose end and turn anti-clockwise until released, withdraw the hose.

Fitting extension tubes and cleaning tools (9)

To fit, simply insert the tube end and push together until secure. Fit the second tube in the same manner. To separate, grip both tubes, twist and pull apart. Cleaning tools are assembled and separated in the same manner. For carpet cleaning, use the tool with a single brush strip. For hard floors, use the tool with the dual brush strips.

A dusting brush, a crevice tool, and an upholstery tool with a slide-on brush are provided for use in special areas. They can be attached to the end of the wand for overhead use, or attached to the end of the hose for hand-held use. An optional tool basket is available for convenient storage of tools on the unit.

Optional dual purpose carpet and floor nozzle (10)

This nozzle has a dual purpose foot operated lever and should be used as follows:

Floor position — Push down the left hand side of the lever (A). In this position, the brush around the outside edge of the nozzle is locked down. This is the best position for cleaning floors and hard surfaces.

Carpet position — Push down the small pad on the right hand side of the lever (B). In this position, the brush is retracted so that the flat surface of the nozzle comes into contact with the carpet. For surfaces such as looped pile carpets, simply keep the nozzle level.

OPERATING THE TANK VACUUM

Plugging the cleaner into the main socket outlet

Insert plug into the main socket outlet. To store the cord, remove the plug from the main socket and carefully wind around the motor housing.

Switching on the Tank Vacuum (11)

To switch "On", press the switch button on the top lid of the motor housing. To switch "Off", press once more.

Storing your Tank Vacuum

Prior to storing, wind the cord around the motor housing. Store the Tank Vacuum indoors. DO NOT store the Tank Vacuum outdoors as moisture may enter the motor causing damage.

Moving and carrying your tank vacuum (12), (13)

The Tank Vacuum has 6 swivel casters (12) to provide full maneuverability. It also has a handle (13) which is molded into the top of the motor housing for carrying the Tank Vacuum or removing the powerhead assembly.

USER MAINTENANCE

Filters (14) (3A)

Your Tank Vacuum is provided with a cloth filter. The cloth filter (14) is held to the filter frame by a ring of elastic sewn into its edge. When necessary, clean the cloth filter using the suction from another cleaner. DO NOT WASH the cloth filter as the fibers will become matted and prevent filtration. NOTE: Do not use the machine without the cloth filter correctly in position for dry pick-up applications.

The nylon mesh filter (3A) is attached to the lower motor molding at the air intake grill by a small rubber ring (3B). The mesh filter may require periodic cleaning or replacement. Pull off the small rubber ring, wash and dry or renew the filter, and then replace, ensuring that the rubber ring is securely positioned on the center spigot.

Flexible hose

Should the hose become clogged, reverse the airflow by inserting the curved hose end into the hose receptacle on the tank. Reinstall and resume vacuuming.

Should the hose develop a split adjacent to the curved tube or swivel hose end, unscrew the hose from the molding (left hand thread), cut off the faulty portion and refit hose into the molding. Fit a replacement hose in the same manner.

General appearance

In order to maintain the appearance of the Tank Vacuum, wipe the body with a damp cloth and dry.

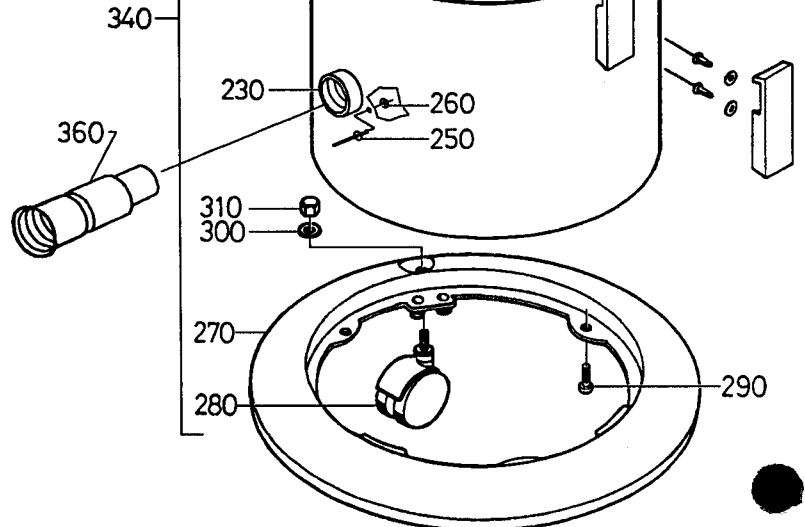
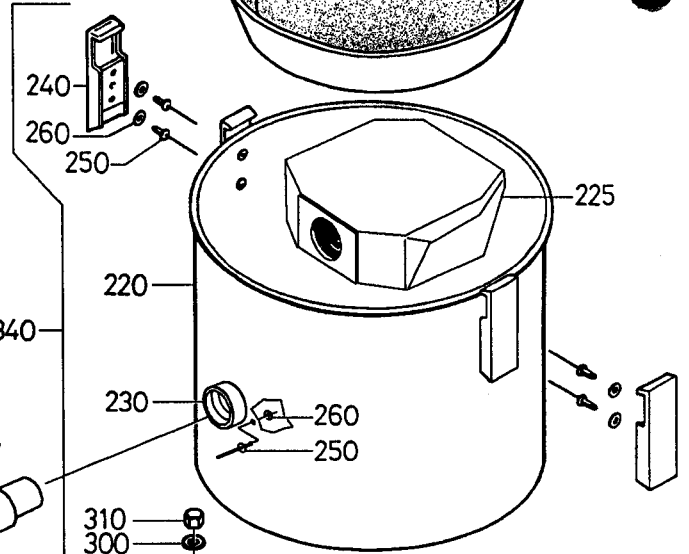
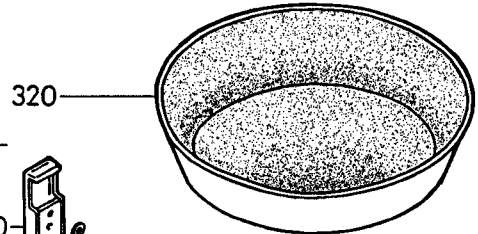
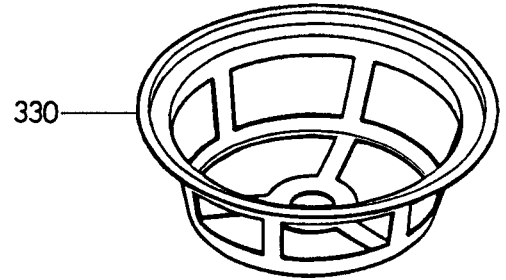
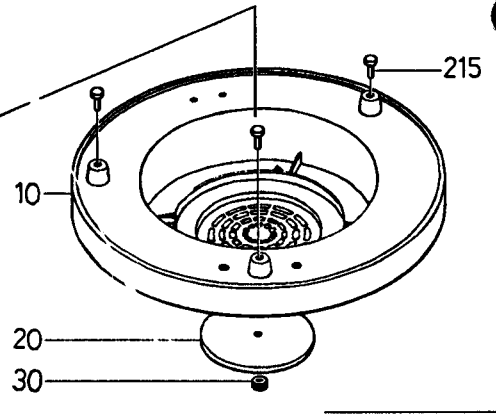
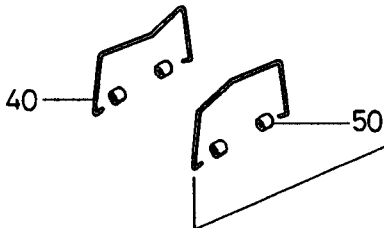
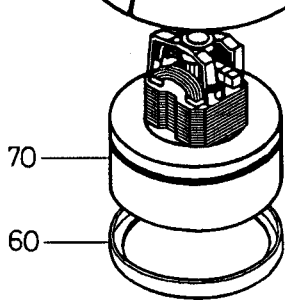
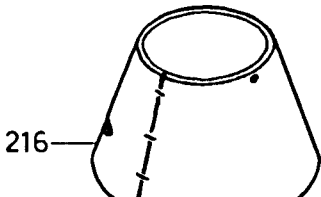
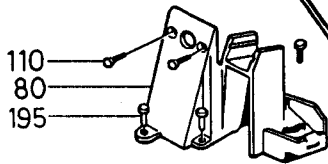
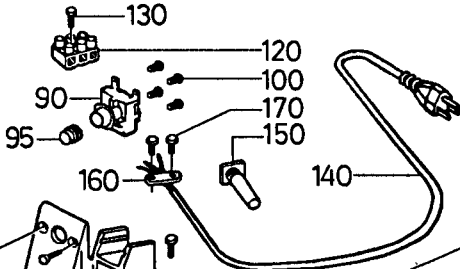
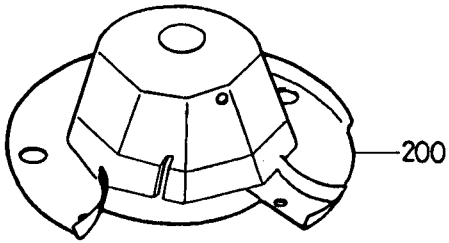
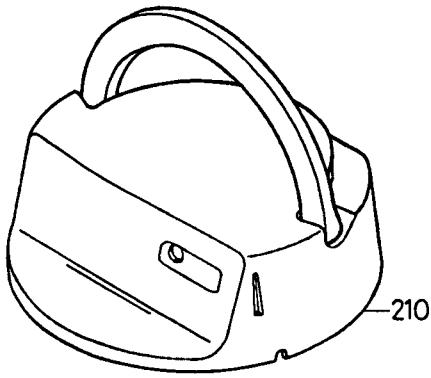
Service and Spares

To keep your Tank Vacuum in peak condition, ask your Advance Commercial Service Dealer for details of his Regular Service plan. Insist upon Advance spare parts for maximum efficiency.

IMPORTANT SAFEGUARDS

- DO NOT pick up inflammable liquids such as cleaning fluids, petrol, etc.
- DO NOT use this machine for wet pick-up.
- Always remove plug from electrical supply before cleaning the appliance, making adjustments and when not in use.
- Do not pull on the cord to remove plug from electrical supply.
- **Warning** — Do not store outdoors and avoid getting wet by rain, etc.
- If the Tank Vacuum appears faulty, do not attempt to operate.
- DO NOT run the Tank Vacuum over the supply cord. It may damage electrical insulation.
- DO NOT use the Tank Vacuum to pick up hot ashes or lit cigarette ends.
- Have repairs made by a qualified Advance Commercial Service Dealer.
- Use the Tank Vacuum only for its intended purposes as described in the instructions.
- The use of attachments other than those recommended and supplied by the manufacturer may be hazardous.

350



METRIK 8 DRY, METRIK 11 DRY

Item	Part No.	Qty	Description	Item	Part No.	Qty	Description
	701003	1	Metrik 8 100V	250	701062	6	Rivet
	701004	1	Metrik 8 120V	260	701085	6	Washer
	701005	1	Metrik 8 220/240V	270	701063	1	Chassis
	701124	1	Metrik 8 240V Aus	280	701064	6	Caster
	701006	1	Metrik 11 100V	290	701065	3	Screw
	701007	1	Metrik 11 120V	300	701066	6	Washer
	701008	1	Metrik 11 220/240V	310	701067	6	Nut
	701125	1	Metrik 11 240V Aus	320	701069	1	Fabric Filter
10	701118	1	Bottom Lid	330	701070	1	Dust Basket
10	701016	1	Bottom Lid 120V	340	701136	1	Bin Assembly 8
20	701073	1	Filter, Nylon Mesh	340	701137	1	Bin Assembly 11
30	701074	1	Ring	350	701128	1	Powerhead Assembly 100V
40	701075	2	Clamp	350	701129	1	Powerhead Assembly 120V
50	701076	4	Seal	350	701130	1	Powerhead Assembly 220/240V
60	701021	1	Seal	350	701131	1	Powerhead Assembly 240V Aus
70	701119	1	Motor, Thru-flo 100V				
70	300381	1	Motor, Thru-flo 120V				
70	701121	1	Motor, Thru-flo 220/240V	*	701096	1	Tool Kit, includes:
70	701122	1	Motor, Thru-flo 240V Aus	*	701097	1	Dust Brush
**	203518	1	Carbon Brush Set for Motors	*	701098	1	Crevice Tool
**	228051	2	Bearing for Motors	*	701099	1	Carpet Tool
**	208191	2	Rotating Fan for Motors	*	701100	1	Hard Floor Tool
80	701026	1	Plate 120V	360	701101	1	Hose Connector
80	701116	1	Plate 100V, 220/240V, 240V Aus	*	701102	1	Upholstery Tool
90	701028	1	Switch	*	701103	2	Wand
95	701050	1	Cover, Switch Boot	*	701104	1	Hose with Curved Wand
100	701030	4	Screw	*	701027	1	Slide-On Brush for 701102
110	701031	2	Screw				
120	701032	1	Terminal Block	**	701106	1	Tool Basket
130	701033	1	Screw	**	701022	1	Optional Combination Tool (hard floor and carpet)
140	701111	1	Power Cord 100V				
140	100352	1	Power Cord 120V				
140	701114	1	Power Cord 220/240V				
140	701117	1	Power Cord 240V Aus				
150	701037	1	Grommet				
160	701038	2	Clamp				
170	701039	2	Screw				
195	701039	3	Screw				
200	701080	1	Silencer				
210	701081	1	Top Lid 120V				
210	701120	1	Top Lid 100V, 220/240V, 240V Aus				
215	701046	3	Screw				
216	701082	1	Silencer				
220	701123	1	Bin, Metrik 8				
220	701083	1	Bin, Metrik 11				
225	701107	1	Paper Filter Bag (pkg of 6)				
230	701084	1	Connecting Piece				
240	701061	2	Clamp				

* = shown on page 1

** = not shown

Metrik™ ONE YEAR LIMITED WARRANTY

Advance Machine Company ("Advance") warrants to the original purchaser only ("Buyer") that each new Metrik shall be free from defects in material and workmanship upon delivery. Advance's liability and Buyer's exclusive remedy against Advance is expressly limited, at Advance's option, to repair or replace at our factory or authorized Advance Service Center any part or parts which are returned within the warranty period to our factory or authorized Advance Service Center, transportation prepaid.

This limited warranty expires one year from the date of purchase by the Buyer. A warranty registration card is to be completed and returned immediately at the time of purchase. Specific limitations and exclusions apply. Items not covered by warranty include, but are not limited to:

- Damage resulting from accidents, abuse, misuse or acts of God (flood, lightning, etc.)
- Damage in transit.
- Rental units.
- Failure due to lack of proper maintenance or care.
- Relatively minor adjustments such as tightening of screws or bolts, etc., not connected with the replacement of parts.
- Repairs or alterations by an organization other than the factory or an authorized Advance Service Center.
- Normal wear items (with the exception of documented, premature failure).

If, after inspection of the returned machine or any part or parts, Advance determines that the defect is not covered by the warranty, all expenses incurred by Advance in connection with replacement or repair of the machine or any part or parts thereof shall be the Buyer's responsibility. Any part or parts returned to Advance for replacement shall become the property of Advance. **IN NO EVENT SHALL ADVANCE BE LIABLE FOR ANY INDIRECT, SPECIAL, INCIDENTAL, CONSEQUENTIAL OR OTHER DAMAGES INCLUDING BUT NOT LIMITED TO DAMAGE OR LOSS OF PROPERTY OR EQUIPMENT, LOST REVENUES OR PROFITS, CLAIMS OF CUSTOMERS, OR HARM TO GOODWILL OR BUSINESS REPUTATION DIRECTLY OR INDIRECTLY ARISING FROM THE SALE, HANDLING OR USE OF THE Metrik, OR FROM ANY OTHER COSTS RELATING THERETO AND ADVANCE'S LIABILITY HEREUNDER.** Advance shall not be liable to the Buyer for any claims, damages, injuries, actions, or causes of action whatsoever based on negligence or strict liability.

ADVANCE MAKES NO WARRANTY THAT THE Metrik SHALL BE MERCHANTABLE OR THAT SUCH MACHINE SHALL BE FIT FOR ANY PARTICULAR PURPOSE. MOREOVER, ADVANCE MAKES NO EXPRESSED OR IMPLIED WARRANTIES EXCEPT FOR THE LIMITED WARRANTY SET FORTH HEREIN. IN ADDITION, NO REPRESENTATION OR WARRANTY, EXPRESSED OR IMPLIED, MADE BY ANY DEALER, SALES REPRESENTATIVE, OR FIELD AGENT OF ADVANCE WHICH IS NOT SPECIFICALLY SET FORTH HEREIN SHALL BE BINDING ON ADVANCE.

Genuine Advance replacement parts shall be free from defects in material and workmanship for a period of 90 days after "installation" and shall be subject in all respects to the limitations and exclusions of this limited warranty.

Authorized Advance Service Centers can assist owners in the proper handling of any warranty question or claim. In the event that you want to contact Advance directly, please write to the Customer Service Department at Advance Machine Company, 14600 21st Avenue North, Plymouth, Minnesota 55447-3408 or call (612) 473-2235. Provide an explanation of the problem and include the serial number of the machine as well as the name of the selling organization.

FOLD HERE

**IMPORTANT: This card contains information necessary to expedite warranty protection.
Mail within 30 days of purchase to Advance.**

**LIMITED WARRANTY
PLEASE PRINT**

Purchaser _____
Address _____
City _____ State _____ Zip _____
Model _____ Serial Number _____
Purchased from _____
City _____ State _____ Zip _____
Date Purchased _____

**THIS IS TO CERTIFY THAT THE ABOVE EQUIPMENT
WAS CHECKED OUT IN WORKING CONDITION.**

FOLD HERE

Affix
Proper
Postage

Advance Machine Company
14600 21st Avenue North
Plymouth, Minnesota 55447-3408



ADVANCE MACHINE COMPANY
14600 21st Avenue North
Plymouth, Minnesota 55447-3408
612-473-2235 Phone
612-475-9718 Fax