



Electronic Service Manuals

This electronic document is provided as a service to our customers. We do not create the contents of the information contained in this document. Should you have detailed questions pertaining to the information contained in this document, you may contact Michco, or the manufacturer which provided the original information in this electronic deliverable. Michco's only part in this electronic deliverable was the electronic assembly process.

You may contact Michco through the following methods:
Phone (517) 484-9312 or (800) 331-3339 MI, OH, IN only
2011 N. High St. -- Lansing, Michigan -- 48906
Fax: (517) 484-9836
Email: CustServ@Michco.com
Web site: www.Michco.Com
Parts Web site: www.FloorMachineParts.Com

Order Parts on Line at:
www.FloorMachineParts.Com

Directly to Parts & Service:
By Email: **Shop@Michco.com**
By Fax: (517) 702-2041
By Voice: Use numbers above.

Serving the Cleaning Industry Since 1922

Notice: All copyrighted material remains property of original owners, all trademarks are property of respective owners. Manuals are subject to Manufacturer's reproduction limitations. Originals or reproductions were provided by manufacturers through a request. We make no warranty as to the correctness of information provided in this document and you assume all risk.

HydroVac™



PARTS LIST

Advance MODELS 120R, 120R-5

All models covered in this manual are OBSOLETE



**Nilfisk
Advance**

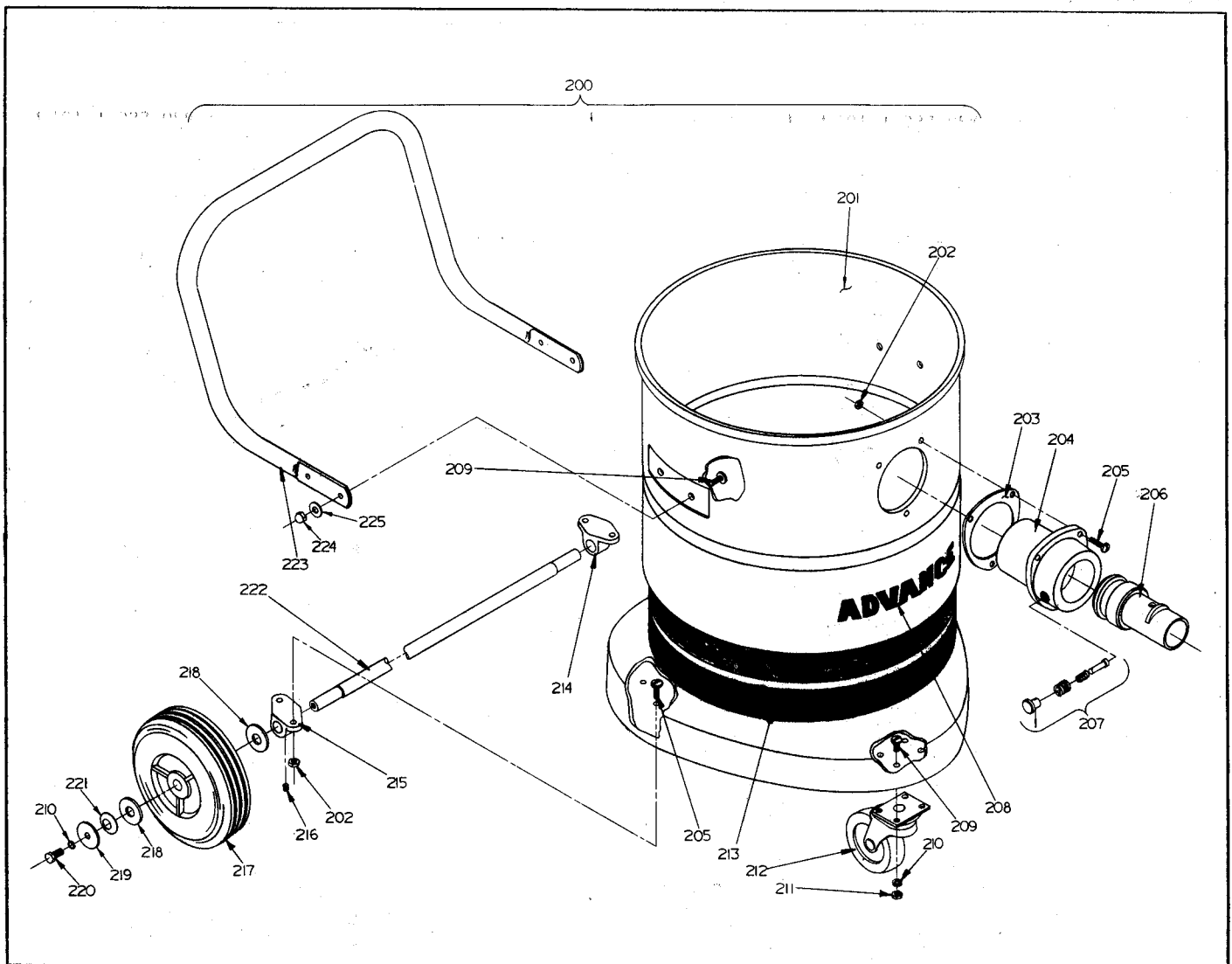
setting standards

7/78 revised 2/01 FORM NO. 56042007

SECTION 100

ITEM	PART NO.	Qty.	DESCRIPTION
100	205 630	1	VAC HEAD ASSEMBLY, 115V
	205 632	1	VAC HEAD ASSEMBLY, 230V
101	023 096	1	DECAL, Advance
102	200 026	1	HANDLE CASTING
103	200 220	1	COVER, Motor
104	570 680	1	CORD SET
105	200 425	1	STRAIN RELIEF
	200 441	1	NUT, Lock 3/8
106	200 433	1	WASHER
107		12	SCREW, Truss Hd. 10-24 X 1/2
108	200 077	7	EYELET
109	330 221	1	COVER, Motor
110	204 080	1	FELT LINER
111	203 890	1	COVER
112	200 107	6	EYELET
113		2	SCREW, Pan Hd. 6-32 X 1/4
114	311 229	3	TERMINAL #6
115	200 328	1	GASKET
116	203 629	1	LINER, Foam
117	203 904	1	LINER, Foam
118	203 688	6	NUT, Rivet
119	200 255	1	GASKET
120	203 599	1	MOTOR, Vac 115V
	207 128	1	MOTOR, Vac 230V
121		18	NUT, Hex 5/16-18
122	200 379	1	GASKET
123	205 640	1	COVER CASTING
124	572 705	1	BUMPER, Cover
125	209 617	1	GASKET
126	200 646	3	SUPPORT, Rod Basket
127	200 654	3	SUPPORT, Rod Basket
128		14	SCREW, Pan Hd. 6-32 X 5/16
129	200 670	1	RING
130	200 603	1	FLOAT
131	200 584	1	STEM
132	200 492	1	SHIELD, Suds
133	574 724	1	CLIP
134		6	SCREW, Rd. Hd. 10-24 X 1/2 W/Lkw.
135	200 526	1	WASHER W/GASKETS
136		1	SCREW, Binding 8-32 X 5/16
137	205 641	1	BAFFLE ASSEMBLY
138	203 912	6	SPACER
139		4	SCREW, Rd. Hd. 10-24 X 1 1/8 W/Lkw.
140	200 340	1	SWITCH
141	200 352	1	GUARD SWITCH
142	245 064	1	RECEPTACLE
143	200 239	4	BUSHING, Spacer
144	204 072	1	LINER, Foam
145	204 099	1	LINER, Foam
146	203 874	6	WASHER
147	200 190	4	WASHER, Fiber
148	200 484	1	SLEEVING
149	015 194	1	DECAL, Warning - Flammable Liquids or Vapors
150	015 197	1	DECAL, Warning - Electric Shock

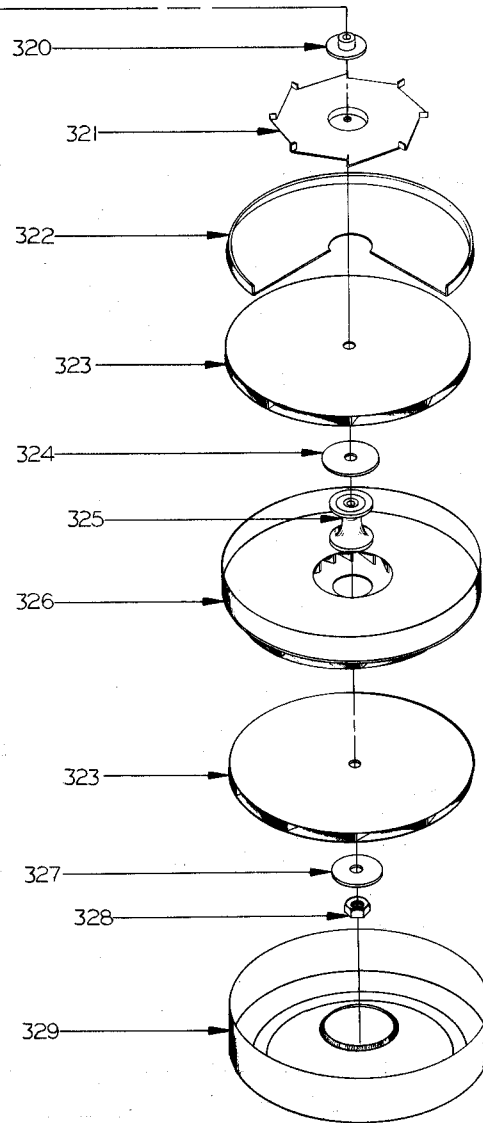
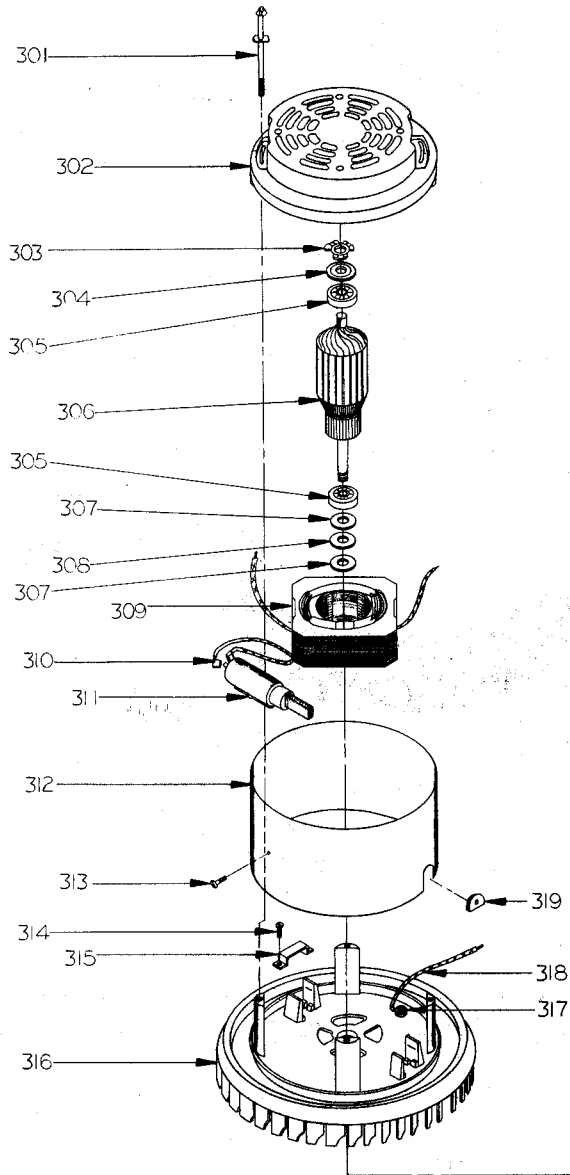
VAC HEAD ASSEMBLY



ITEM	PART NO.	Qty.	DESCRIPTION	ITEM	PART NO.	Qty.	DESCRIPTION
200	205 700	1	TANK ASSEMBLY	214	201 626	1	AXLE BLOCK, Left
201	576 510	1	TANK, 12 Gallon	215	201 618	1	AXLE BLOCK, Right
202		7	NUT, Locking #10	216		2	SCREW, Set 1/4-20 X 1/4
203	572 535	1	GASKET	217	346 594	2	WHEEL 8"
204	572 550	1	CONNECTOR ASSEMBLY	218	115 411	4	WASHER
205	209 486	7	SCREW, Pan Hd. SS 10-24 X 3/4	219	151 114	2	WASHER
206	201 820	1	ADAPTER, Hose 1 1/2"	220		2	SCREW, Hex Hd. 1/4-20 X 1/2
207	365 548	1	LOCK ASSEMBLY	221	155 373	2	WASHER, Bowed
208	016 519	1	DECAL, Advance	222	578 282	1	AXLE
209	576 518	8	SCREW, Pan Hd. SS 1/4-20 X 3/8	223	571 482	1	HANDLE
210		6	WASHER, Lock 1/4	224		4	NUT, Acorn 1/4-20
211		4	NUT, Hex 1/4-20	225		4	WASHER, Flat 1/4
212	340 081	1	CASTER				
213	025 060	1	DECAL, Stripe				

TANK ASSEMBLY

SECTION 300



ITEM	PART NO.	Qty.	DESCRIPTION	ITEM	PART NO.	Qty.	DESCRIPTION
301	202 527	2	SCREW & WASHER	318	202 772	1	SCREW, 230V Motor
302	202 584	1	END BRACKET	319	202 738	1	LEAD & TERMINAL
303	202 843	1	LOAD SPRING	320	202 762	1	GROMMET
304	203 513	1	DISC	321	203 424	1	SPACER
305	228 051	2	BEARING	322	202 681	1	FAN
306	207 381	1	ARMATURE, 115V	323	202 703	1	SHELL
	207 918	1	ARMATURE, 230V	324	202 592	2	ROTATING FAN
307	207 351	2	WASHER	325	202 770	1	WASHER
308	202 630	1	FELT WASHER	326	203 520	1	SPACER,
309	207 373	1	FIELD, 115V	327	202 606	1	STATIONARY FAN
	202 536	1	FIELD, 230V	328	203 432	1	WASHER
310	203 584	2	CLIP, Field	329	203 440	1	NUT
311	207 403	1	BRUSH ASSEMBLY (set of 2)		202 614	1	FAN SHELL
312	202 673	1	BAND				
313	202 754	1	SCREW, Rd. Hd.				
314	202 772	4	SCREW				
315	208 132	2	CLAMP				
316	207 357	1	FAN END BRACKET				
317	202 746	1	SCREW, 115V Motor				

VAC MOTOR ASSEMBLY

