



Electronic Service Manuals

This electronic document is provided as a service to our customers. We do not create the contents of the information contained in this document. Should you have detailed questions pertaining to the information contained in this document, you may contact Michco, or the manufacturer which provided the original information in this electronic deliverable. Michco's only part in this electronic deliverable was the electronic assembly process.

You may contact Michco through the following methods:
Phone (517) 484-9312 or (800) 331-3339 MI, OH, IN only
2011 N. High St. -- Lansing, Michigan -- 48906
Fax: (517) 484-9836
Email: CustServ@Michco.com
Web site: www.Michco.Com
Parts Web site: www.FloorMachineParts.Com

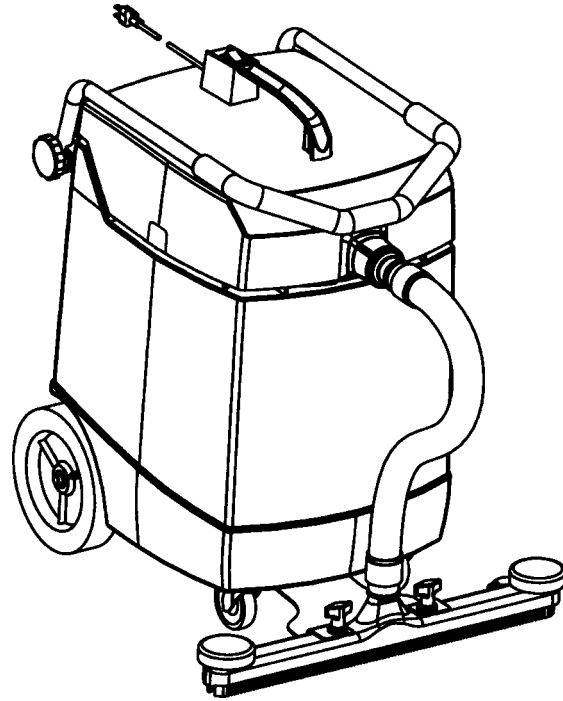
Order Parts on Line at:
www.FloorMachineParts.Com

Directly to Parts & Service:
By Email: **Shop@Michco.com**
By Fax: (517) 702-2041
By Voice: Use numbers above.

Serving the Cleaning Industry Since 1922

Notice: All copyrighted material remains property of original owners, all trademarks are property of respective owners. Manuals are subject to Manufacturer's reproduction limitations. Originals or reproductions were provided by manufacturers through a request. We make no warranty as to the correctness of information provided in this document and you assume all risk.

GW 4512 / GW 6016



PARTS LIST

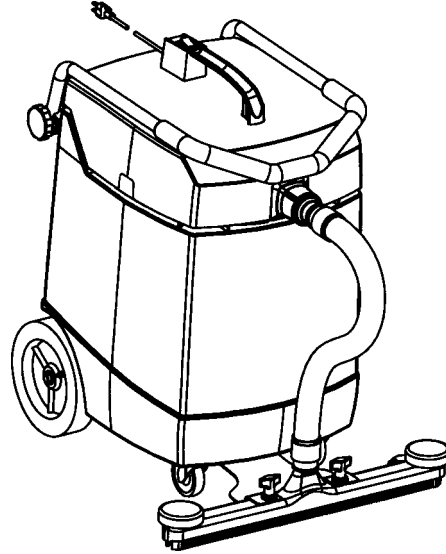
Advance MODELS 56209801(4512/120V), 56209803(4512/230V), 56209806(4512AS/120V)
56209809(4512AS/230V), 56209802(6016/120V), 56209805(6016/230V), 56209807(6016AS/120V)
56209813(6016AS/230V)



Advance

by Nilfisk-Advance

2/99 revised 5/02 Form Number 56042352

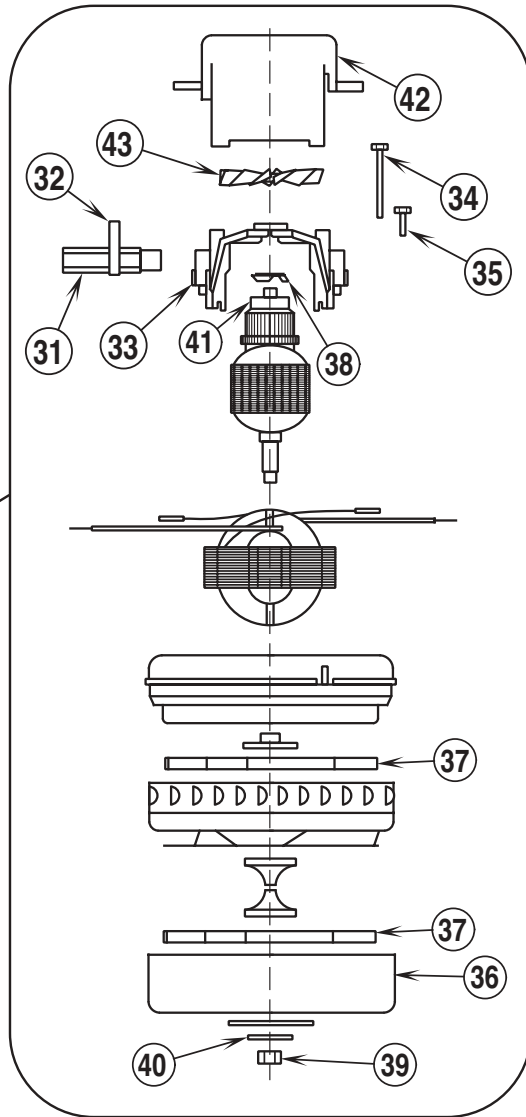
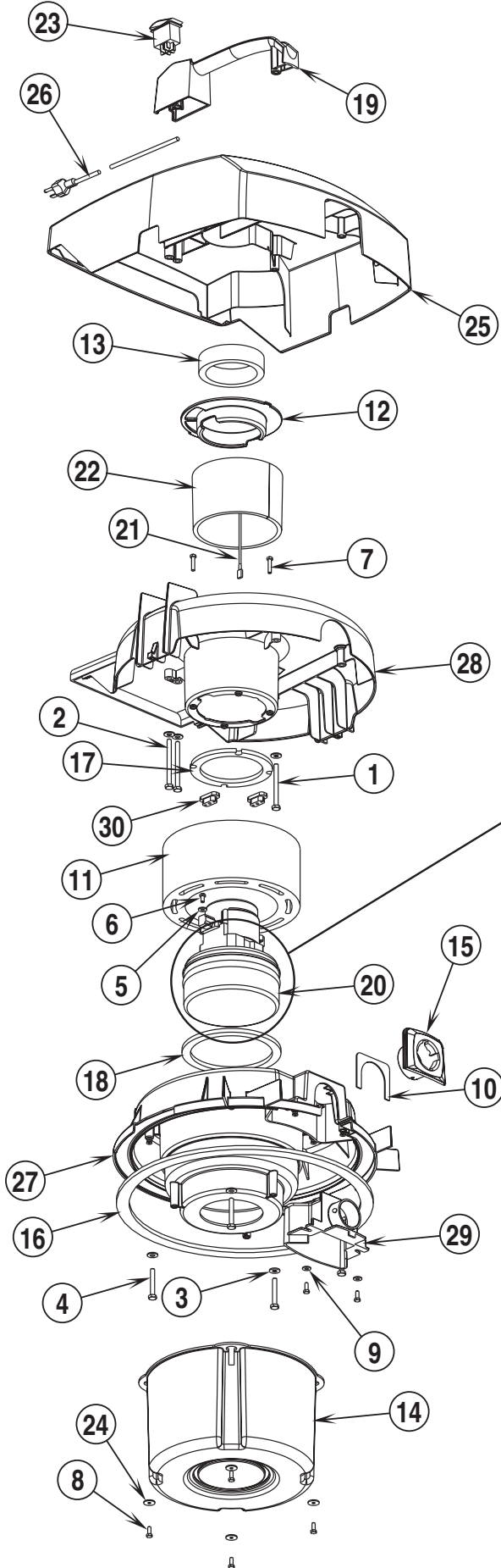


DESCRIPTION	PAGE
MOTORHEAD SYSTEM	2-3
TANK SYSTEMS	4-5
HANDLE ASSEMBLY / SQUEEGEE SYSTEM	6-7
SQUEEGEE ASSEMBLY	8-9
WIRING DIAGRAMS	10-11

WHEN ORDERING PARTS

- * Use the 8 digit numbers from the "Ref. No." columns in this parts list.
- * Specify the model and serial number of the machine.
- * Use the space below to record the model and serial number for future reference.

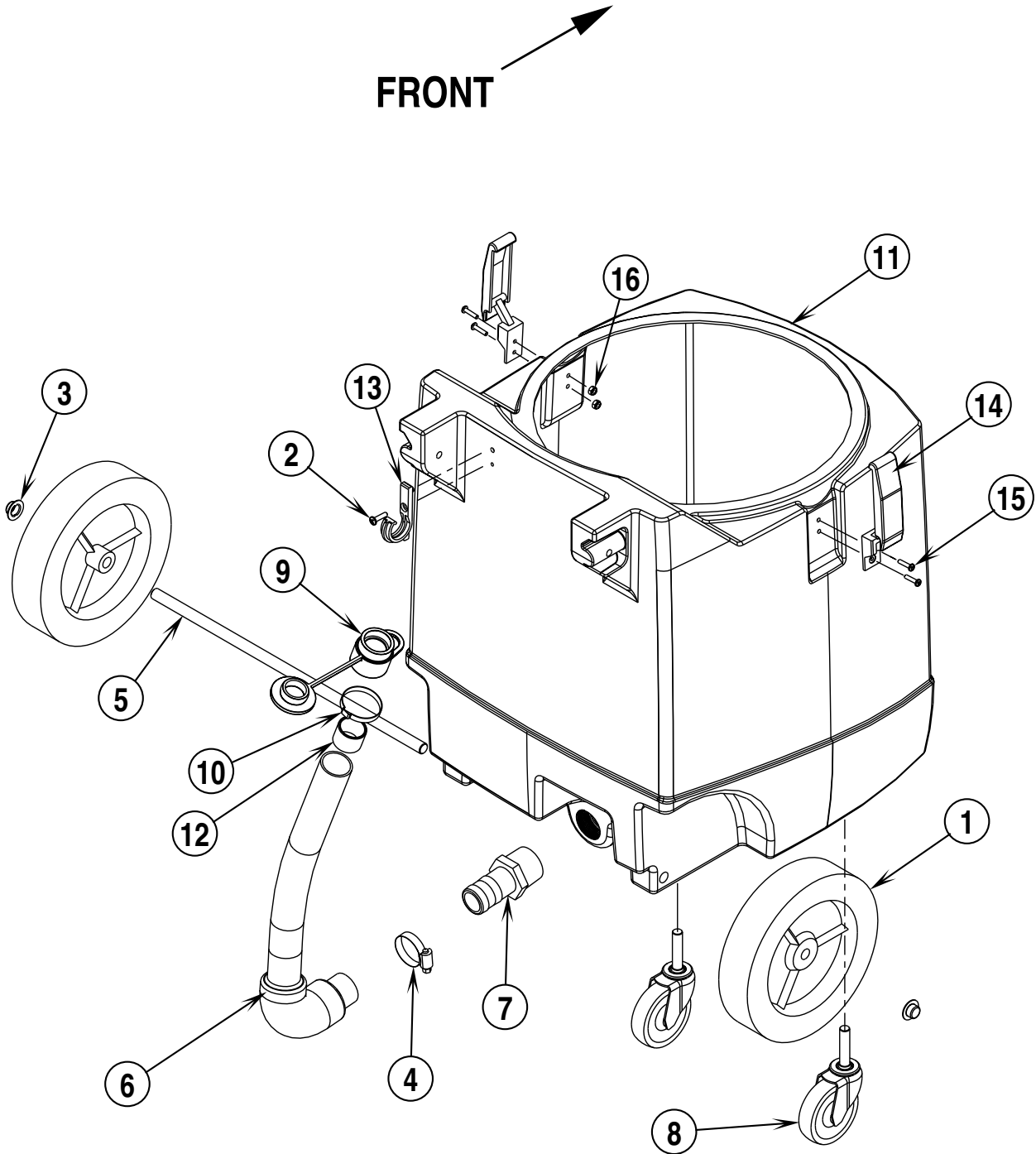
Model _____ Serial No. _____



99-2	MOTORHEAD SYSTEM		
01-8	GW 4512 / GW 6016		3

Item	Ref. No.	Qty	Description	Item	Ref. No.	Qty	Description
	56209696	1	Motorhead (120V)	27	56209347	1	Cover Assembly, Inner
	56209697	1	Motorhead (230V)	28	56209348	1	Cover Assembly, Middle
1	56002397	1	Scr, Hex Hd 1/4-20 x 2.75	29	56209460	1	Deflector, Inlet
2	56002603	2	Scr, Hex Hd 1/4-20 x 3.00	30	56209517	1	Grommet, Motor
3	56002859	7	Wsh, Flt SAE SS 1/4	31	56209391	2	Carbon Brush Assembly (240V)
4	56002880	4	Scr, Hex Loc SS 1/4-20 x 1.75		56209393	2	Carbon Brush Assembly (120V)
5	56009011	1	Wsh, Int Shprf #10 (120V)	32	56209394	2	Cap Clip (240V)
6	56009012	1	Scr, Hex Thd Form 10-24 x .38 (120V)		56209395	2	Cap Clip (120V)
7	56009038	2	Scr, Hex Thd Form 10-24 x .88	33	56209396	1	Brush End Bracket
8	56009039	6	Scr, Hex Thd Form 10-24 x .50	34	56209397	2	Assembly Screw
9	56009205	2	Wsh, Flt SS #10	35	56209398	2	Brush Screw
10	56209138	1	Gasket	36	56209400	1	Chamber (240V)
11	56209284	1	Silencer, Outlet Air		56209399	1	Chamber (120V)
12	56209285	1	Cover, Inlet Seal	37	56209401	2	Impeller
13	56209286	1	Seal, Foam	38	56209402	1	Pre-Load Spring
14	56209288	1	Float	39	56209403	1	Nut
15	56209289	1	Coupling, Hose Inlet	40	56209404	1	Washer
16	56209290	1	Gasket, Cover	41	56209405	1	Ball Bearing
17	56209291	1	Gasket, Motor	42	56209389	1	By-Pass Cap
18	56209292	1	Gasket, Motor Face	43	56209390	1	Cooling Fan
19	56209301	1	Handle, Assy				
20	56209307	1	Motor, Vacuum 120V (see #31-43)				* = Not Shown
	56209303	1	Motor, Vacuum 240V (see #31-43)				
*	56209299	1	Capacitor, .22 MFD				
21	56250579	1	Wire Assembly 14AWG (120V)				
22	56209320	1	Filter, Sound				
23	56209321	1	Switch, Rocker DPST				
24	56209334	4	Retainer, Float Cover				
25	56209338	1	Cover Assembly, Outer (120V)				
	56209283	1	Cover Assembly, Outer (240V)				
26	56209342	1	Cord Set (120V)				
	56209340	1	Cord Set (240V)				

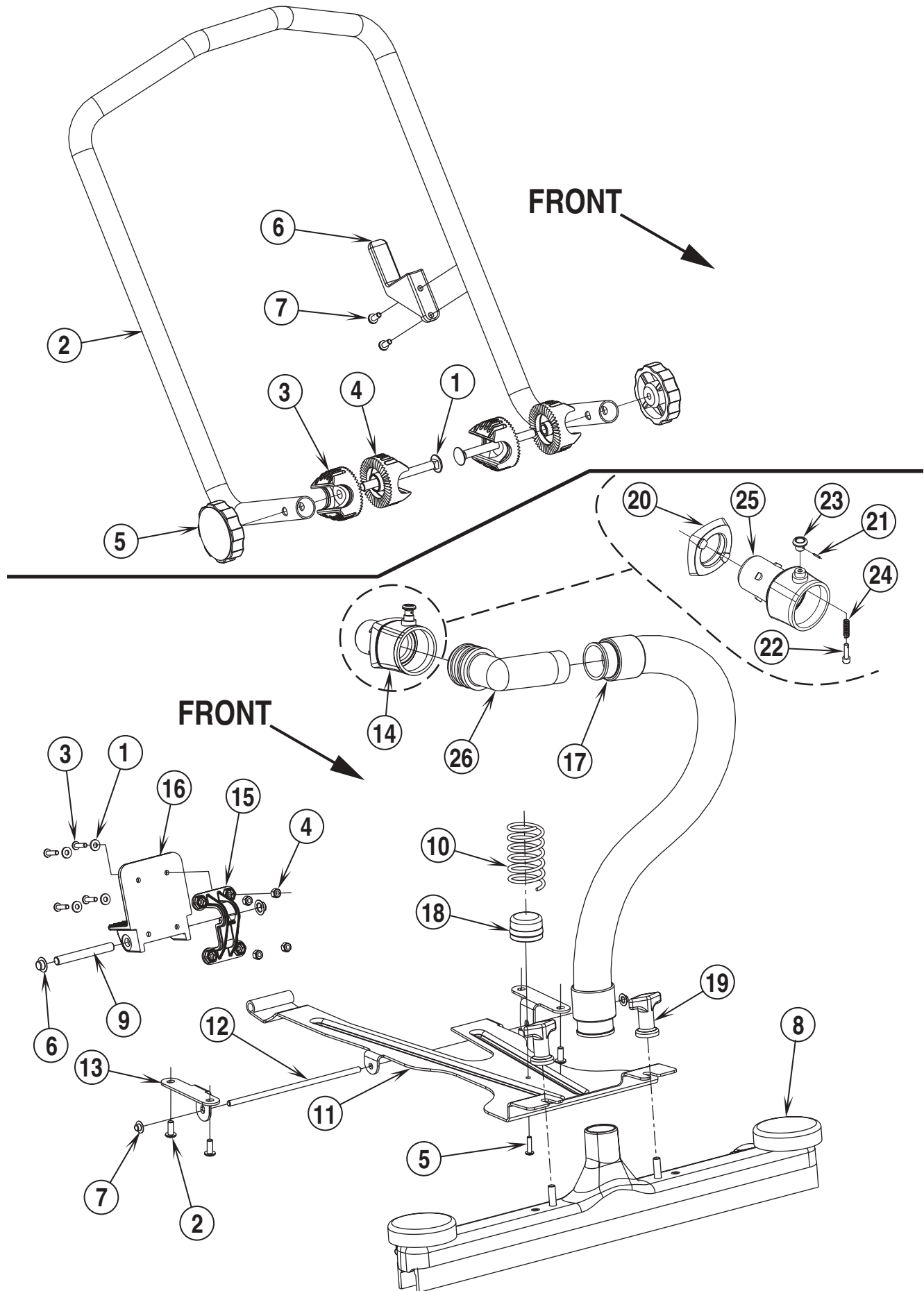
FRONT



99-2	TANK SYSTEMS		
00-5	GW 4512 / GW 6016		5

Item	Ref. No.	Qty	Description
1	56210148	2	Wheel, 8 inch
2	56009005	1	Scr, Pan Phil SS Type B 10-16 x .75
3	56009097	2	Nut, Push Cap 1/2
4	56131601	1	Clamp, Hose SAE #16
5	56209296	1	Axle, Wheel
6	56209302	1	Hose, Drain
7	56209306	1	Fitting
8	56209480	2	Caster, 3 inch
9	56209506	1	Drain Plug
10	56209547	1	Clamp, One Ear, 1.75
11	56209817	1	Tank, 16 Gallon
*	56209815	1	Tank, 12 Gallon
12	56261266	1	Tube
13	56324349	1	Hook
14	56209516	2	Clamp, Fastener
15	56002895	4	Scr, Pan Phil SS 8-32 x .75
16	56003309	4	Nut, Hex Nyl Loc-Thin SS 8-32
*	56016457	1	Decal, GW 4512 (GW 4512 only)
*	56016458	1	Decal, GW 6016 (GW 6016 only)
*	56209819	1	Tool Kit
*	56409563	1	1.50" 2 Piece Wand Assembly
*	56209233	1	14" ABS Squeegee
*	56204213	1	1.50" Vac Hose Assembly
*	56209821	1	Dry Filter / Tool Kit
*	56100372	1	14" Tool, Hard Floor
*	56100373	1	14" Tool, Soft Floor
*	56100375	1	5" Upholstery Tool
*	56100376	1	11" Crevice Tool
*	56100377	1	3" Round Dusting Brush
*	56209300	1	Filter, Dry Pick Up

* = Not Shown



99-2	HANDLE ASSEMBLY / SQUEEGEE SYSTEM		
02-5	GW 4512 / GW 6016		7

Item	Ref. No.	Qty	Description
	56209329	1	Handle Assembly
1	56009227	2	Scr, Carriage 5/16-18 x 3.50
2	56209297	1	Handle Tube
3	56264118	2	Ratchet
4	56264123	2	Ratchet
5	56302167	2	Knob
6	56262518	1	Hook, Cord
7	56009029	2	Scr, Pan Phil Thd Form 10-24 x .50
			Squeegee System (#1-19, GW 4512 / GW 6016 Air Scoop)
1	56001954	4	Wsh, Flt SAE #10
2	56002066	4	Scr, Pan Phil 1/4-20 x .62
3	56002192	4	Scr, Pan Phil 10-24 x .75
4	56002832	4	Nut, Hex Nyl Loc-Thin 10-24
5	56009005	1	Scr, Pan Phil SS Type B 10-16 x .75
6	56009123	2	Nut, Push Cap 3/8
7	56009132	2	Nut, Push Cap 1/4
8	56209088	1	Squeegee Assembly (see associated pages)
9	56209160	1	Axle, Pedal
10	56209298	1	Spring, Compression
11	56209305	1	Arm, Squeegee
12	56209308	1	Axle, Squeegee
13	56209309	2	Bracket, squeegee
14	56209173	1	Adapter Assembly TSB 815
15	56209331	1	Cam, squeegee Lift
16	56209332	1	Pedal
17	56209333	1	Hose, Squeegee
18	56209382	1	Housing, Spring
19	56370711	1	Nut, Thumb
20	56209330	1	Seal, Hose Inlet TSB 815
21	56003129	1	Pin, Spr .06 x .38 TSB 815
22	56201391	1	Pin TSB 815
23	56201405	1	Knob TSB 815
24	56201448	1	Spring, Compression TSB 815
25	56209171	1	Coupling, Hose Outlet TSB 815
26	56370593	1	Adapter Hose TSB 815
**	56209381	1	Kit, Squeegee (#1-19, & 26 above / for GW 4512 / GW 6016)

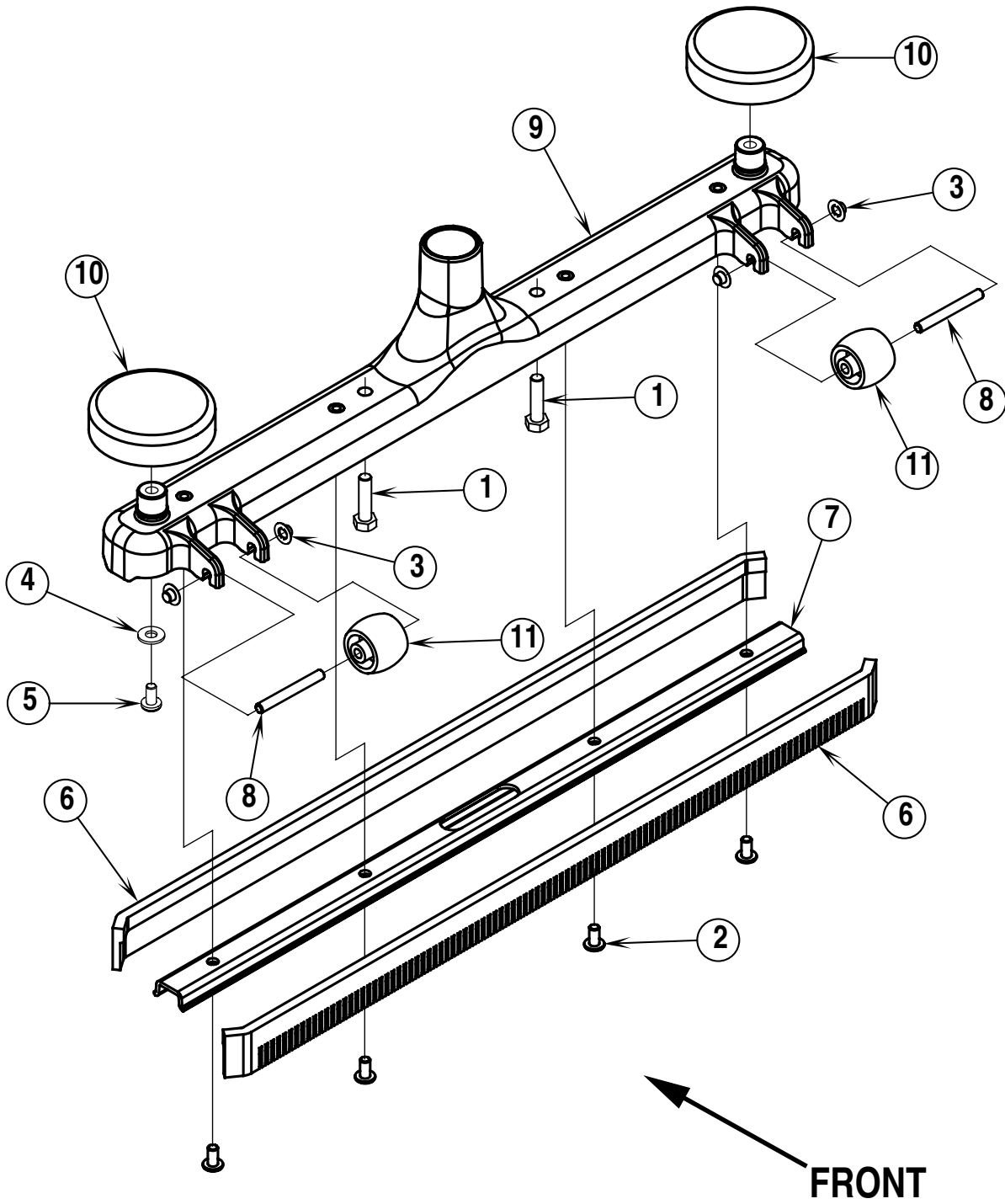
** = Optional

SQUEEGEE ASSEMBLY (AIR SCOOP)

99-2

8

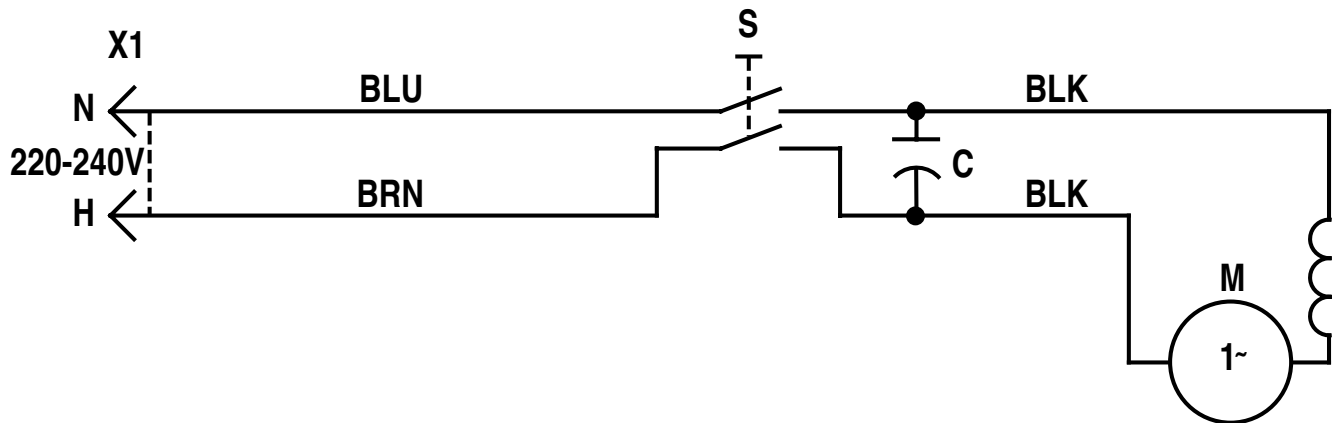
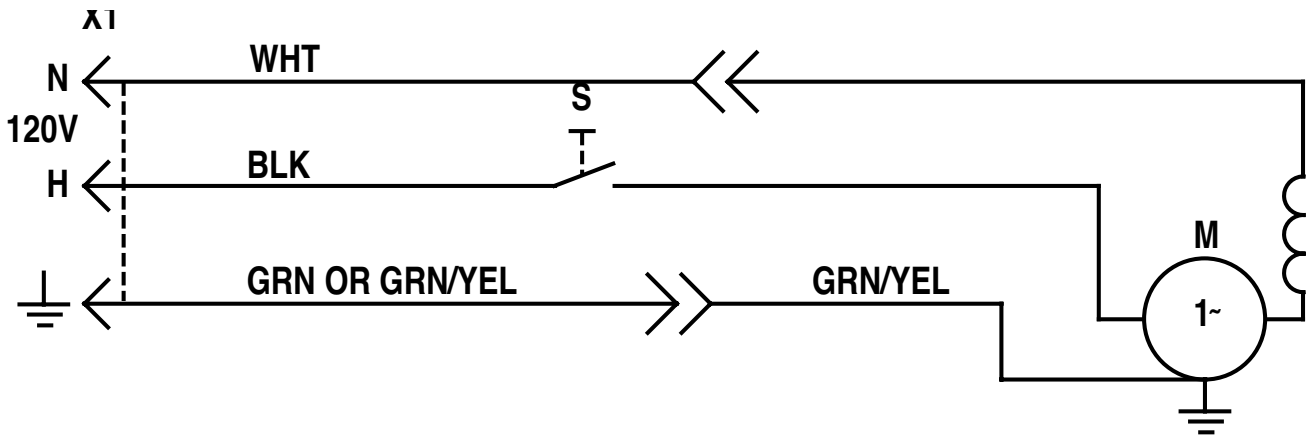
GW 4512 / GW 6016



99-2

SQUEEGEE ASSEMBLY (AIR SCOOP)**GW 4512 / GW 6016****9**

Item	Ref. No.	Qty	Description
	56209088	1	Squeegee Assembly (#1-11)
1	56002884	2	Scr,Hex Hd SS 5/16-18X1.25
2	56003119	4	Scr,Pan Phil SS 1/4-20X.50
3	56009132	4	Nut, Push Cap 1/4
4	56009205	2	Wsh, Flt SS #10
5	56009237	2	Scr, Pan Phil Type B SS 10-16 x .38
6	56105533	2	Blade
7	56209130	1	Retainer, Squeegee
8	56209150	2	Axle
9	56209155	1	Housing, Squeegee
10	56209157	2	Bumper,Side Roller
11	56329554	2	Roller



99-2	WIRING DIAGRAMS		
99-10	GW 4512 / GW 6016		11

Item Ref. No. Qty Description

120V

- S 56209321 1 Switch, Rocker (main power)
- M 56209307 1 Motor, Vacuum 120V (refer to pages 2-3 for replacement parts)

Item Ref. No. Qty Description

220-240V

- C 56209299 1 Capacitor, .22 MFD
- S 56209321 1 Switch, Rocker (main power)
- M 56209303 1 Motor, Vacuum 220-240V (refer to pages 2-3 for replacement parts)



Nilfisk-Advance, Inc.
14600 21st Avenue North
Plymouth, MN, 55447-3408
www.nilfisk-advance.com
Phone: 800-989-2235
Fax: 800-989-6566
©2000 Nilfisk-Advance, Inc.,
Plymouth, MN 55447-3408
Printed in the U.S.A.