



Electronic Service Manuals

This electronic document is provided as a service to our customers. We do not create the contents of the information contained in this document. Should you have detailed questions pertaining to the information contained in this document, you may contact Michco, or the manufacturer which provided the original information in this electronic deliverable. Michco's only part in this electronic deliverable was the electronic assembly process.

You may contact Michco through the following methods:
Phone (517) 484-9312 or (800) 331-3339 MI, OH, IN only
2011 N. High St. -- Lansing, Michigan -- 48906
Fax: (517) 484-9836
Email: CustServ@Michco.com
Web site: www.Michco.Com
Parts Web site: www.FloorMachineParts.Com

Order Parts on Line at:
www.FloorMachineParts.Com

Directly to Parts & Service:
By Email: **Shop@Michco.com**
By Fax: (517) 702-2041
By Voice: Use numbers above.

Serving the Cleaning Industry Since 1922

Notice: All copyrighted material remains property of original owners, all trademarks are property of respective owners. Manuals are subject to Manufacturer's reproduction limitations. Originals or reproductions were provided by manufacturers through a request. We make no warranty as to the correctness of information provided in this document and you assume all risk.

AQUATRON

MODELS A80XL, A80XL-5

THIS PARTS LIST IS FOR MACHINES
AFTER SERIAL NUMBER 209394.

PARTS LIST



ADVANCE
MACHINE COMPANY

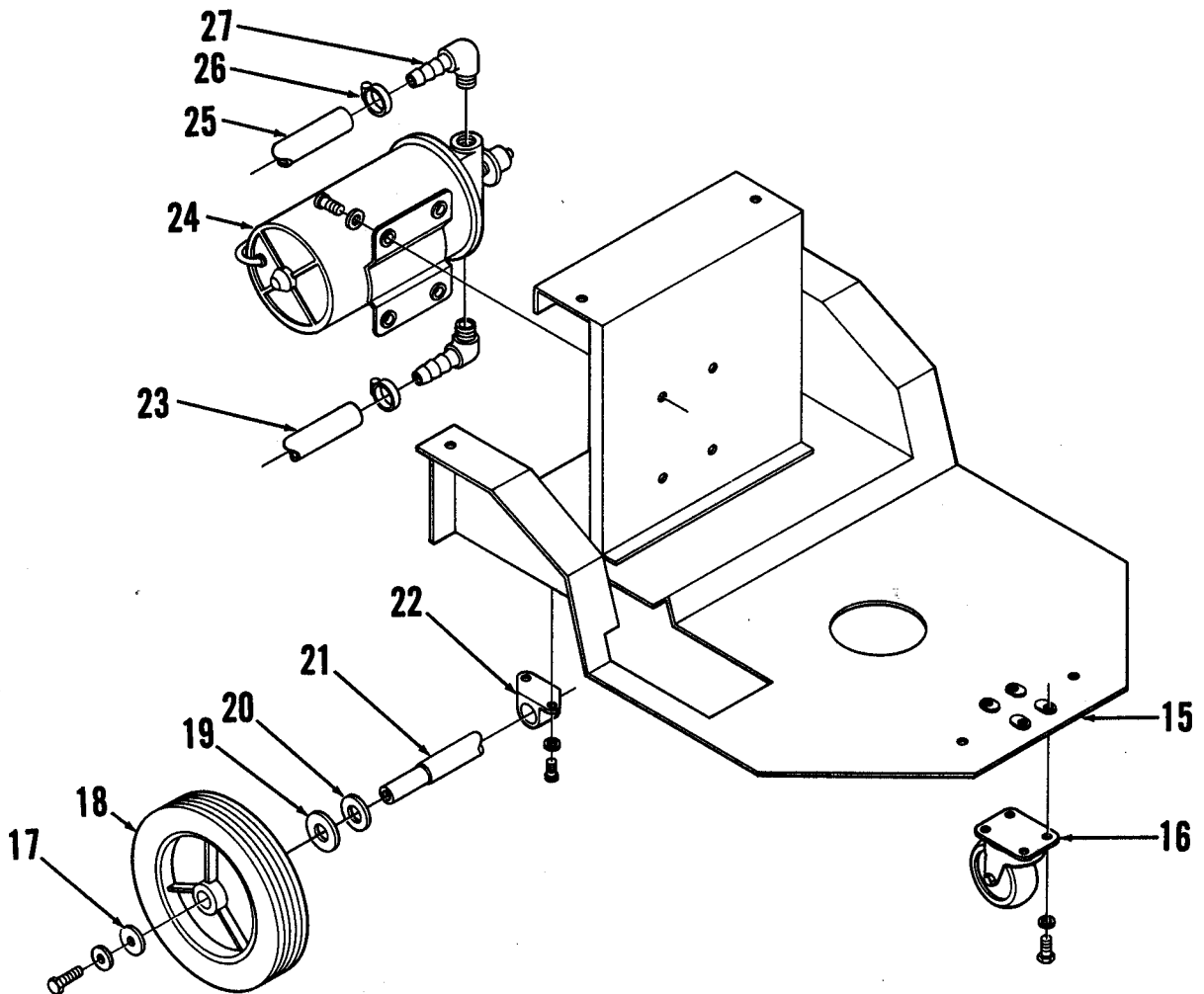
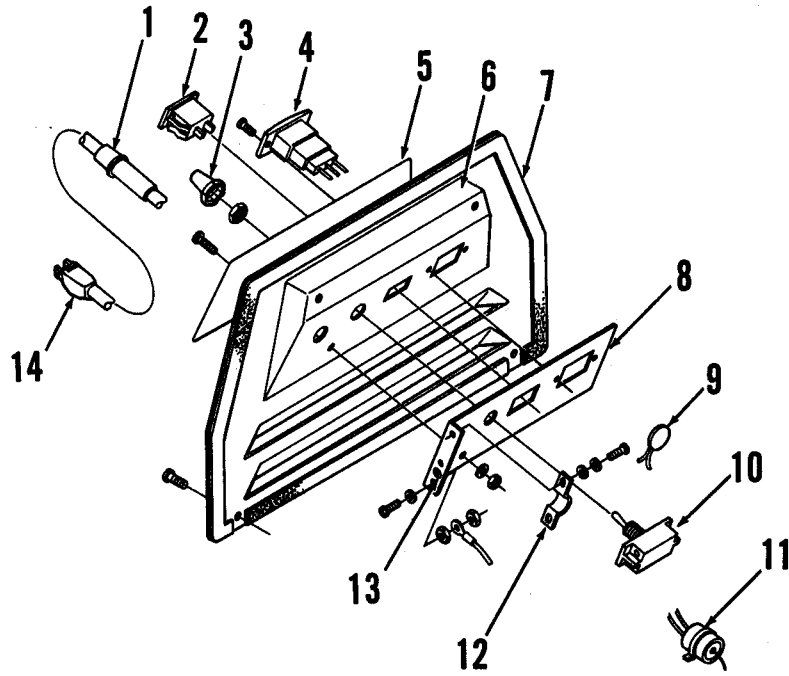
INTERNATIONAL HEADQUARTERS, Plymouth, MN 55447-3408
EUROPE, Llantrisant, Pontyclun, Mid-Glamorgan CF7 8YZ Wales, United Kingdom
CANADA, 1295 Crestlawn Drive, Mississauga, Ontario L4W 1A9

FORM NUMBER 042178 1/88



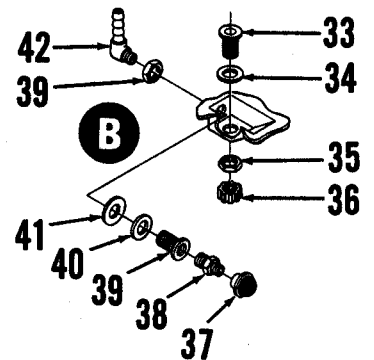
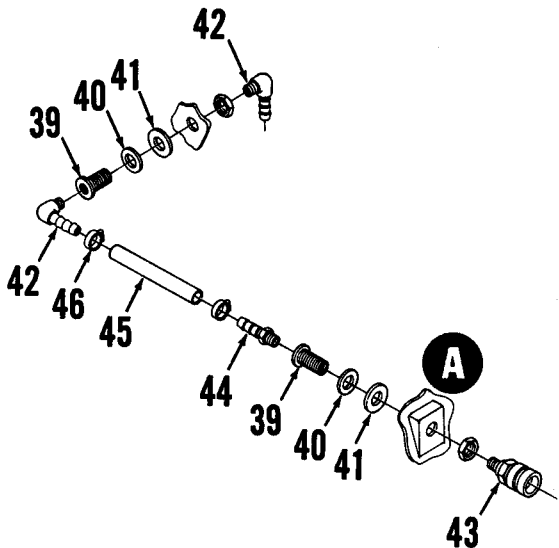
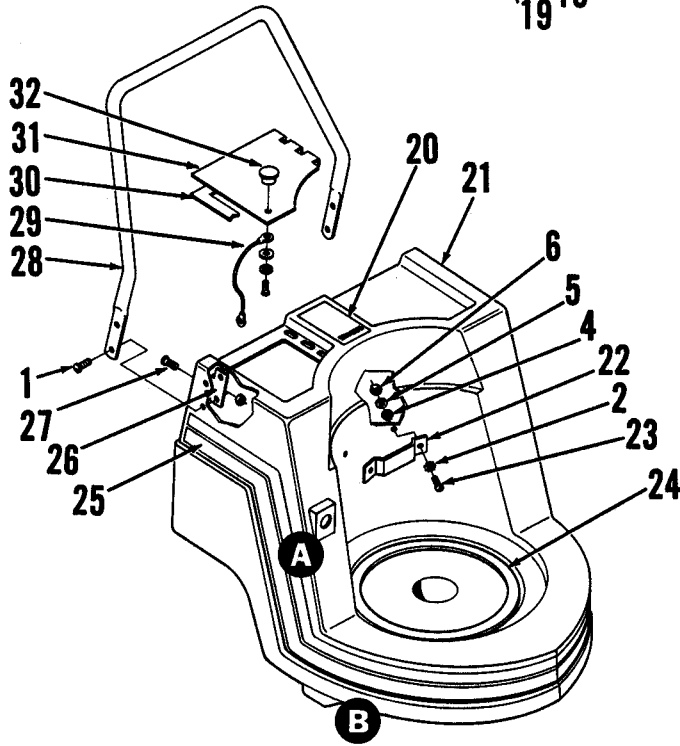
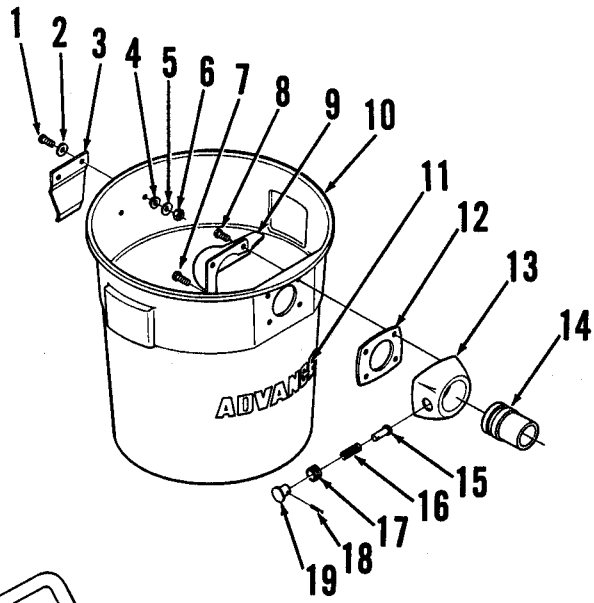
INDEX FOR FORM NUMBER 042178

Description	Location	Page
Control Panel, Chassis & Pump	A12	1
Motor, Vacuum	B9	11
Optional Floor Tool	B7	9
Replacement Pump Parts	B11	13
Tanks	B1	3
Vacuum Head	B3	5
Wiring Diagram	B5	7



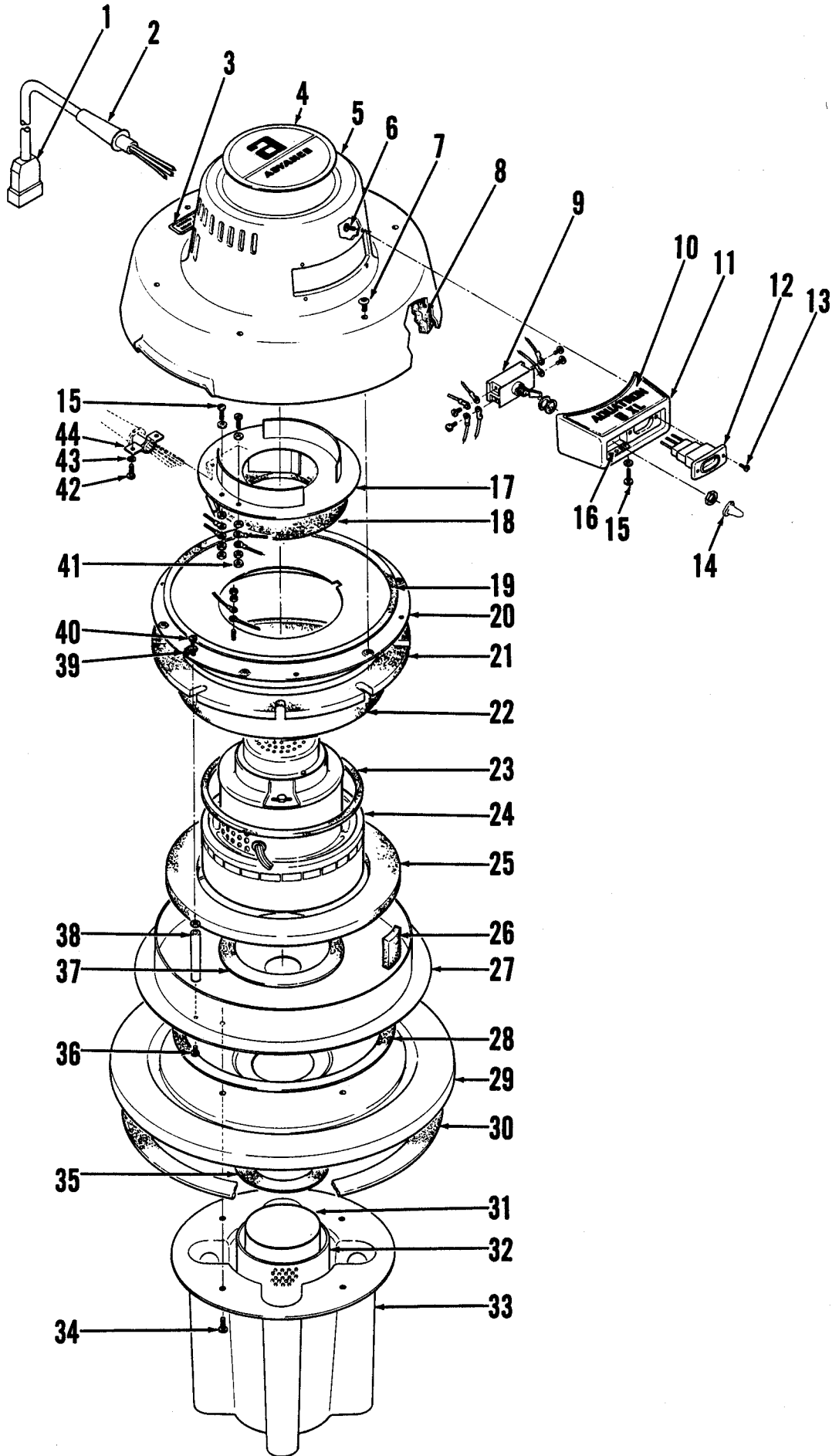
CHASSIS AND CONTROL PANEL

Item	Part No.	Qty	Description
1	301396	1	Strain Relief
2	249527	1	Indicator Light 115V
	249529	1	Indicator Light 230V
3	756514	1	Boot
4	250228	1	Receptacle
5	017806	1	Decal, Control Panel
6	249522	1	Control Panel
	249630	1	Panel Assembly 115V
	249636	1	Panel Assembly 230V
7	200754	1	Gasket 47"
8	249632	1	Bracket
9	250168	1	Varistor Assembly 230V
10	207075	1	Toggle Switch 115V
	301636	1	Toggle Switch 230V
11	249538	1	RFI Filter 230V
12	300542	1	Clamp
13	014119	1	Ground Decal
14	249638	1	Cord Set 115V
	209769	1	Cord Set 230V
15	249542	1	Chassis
	249540	1	Chassis Assembly 115V
	249554	1	Chassis Assembly 230V
16	201693	1	Caster
17	151114	2	Washer
18	210148	2	Wheel, gray non-marking
19	153373	2	Spring Washer
20	155411	2	Washer
21	249552	1	Axle
22	205827	1	Right Axle Block
	205828	1	Left Axle Block
23	249920	1	Hose
24	249930	1	Pump 115V
	249932	1	Pump 230V
25	249920	1	Hose
26	219932	4	Hose Clamp
27	244983	2	Barb



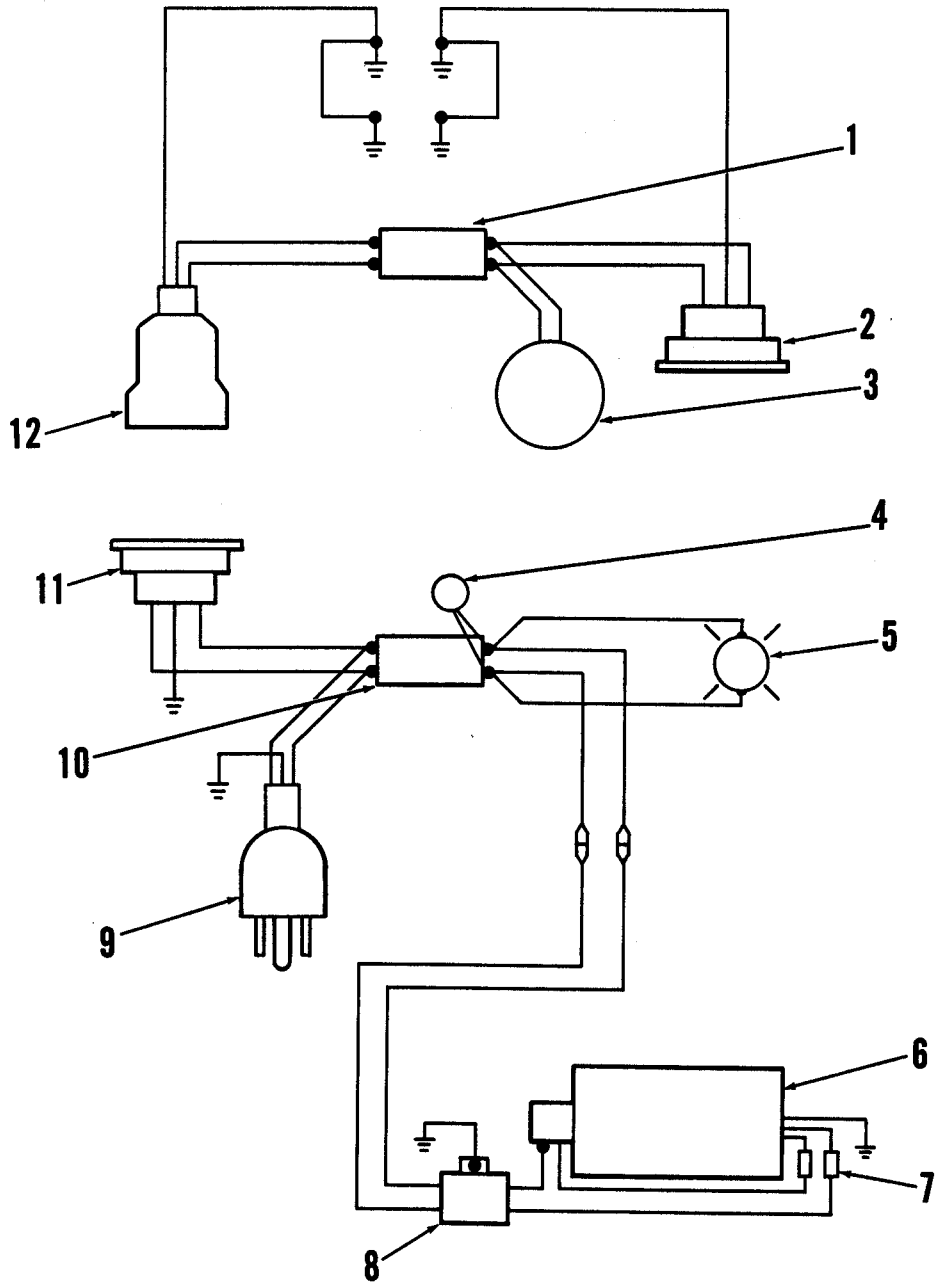
TANK ASSEMBLIES

Item	Part No.	Qty	Description
1	249584	7	Screw
2	001803	4	Washer
3	249582	1	Bracket
4	204218	4	Washer
5	249581	4	Washer
6	002378	6	Nut
7	209519	1	Screw
8	209521	3	Screw
9	201394	1	Deflector
10	249507	1	Recovery Tank
	249580	1	Recovery Tank Assembly
11	016519	1	Decal, Advance
12	201390	1	Gasket
13	201377	1	Connector
	201386	1	Connector Assembly
14	201820	1	Adapter
15	201391	1	Pin
16	201448	1	Spring
17	201383	1	Socket
18	201472	1	Pin
19	201405	1	Knob
20	014828	1	Decal, Warning
21	249509	1	Solution Tank
	249598	1	Solution Tank Assembly
22	249576	1	Bracket
23	576518	2	Screw
24	200915	1	Gasket
25	017800	1	Decal, Right Stripe
	017802	1	Decal, Left Stripe
	017804	2	Decal, Stripe
26	249566	2	Nut Plate
27	576520	1	Screw
28	249562	1	Handle
29	325240	1	Wire Rope
30	200754	1	Gasket
31	249652	1	Cover
32	151017	1	Knob
33	249973	1	Connector
34	249977	1	Gasket
35	249971	1	Nut
36	255076	1	Cap
	740154	1	Rubber Washer
37	750857	1	Strainer
38	249570	1	Nipple
39	745543	3	Adapter
40	249625	3	Restrainer
41	249975	3	Gasket
42	756739	3	Barb
43	249568	1	Coupler
44	155640	1	Barb
45	249920	1	Tube 9"
46	219932	2	Hose Clamp



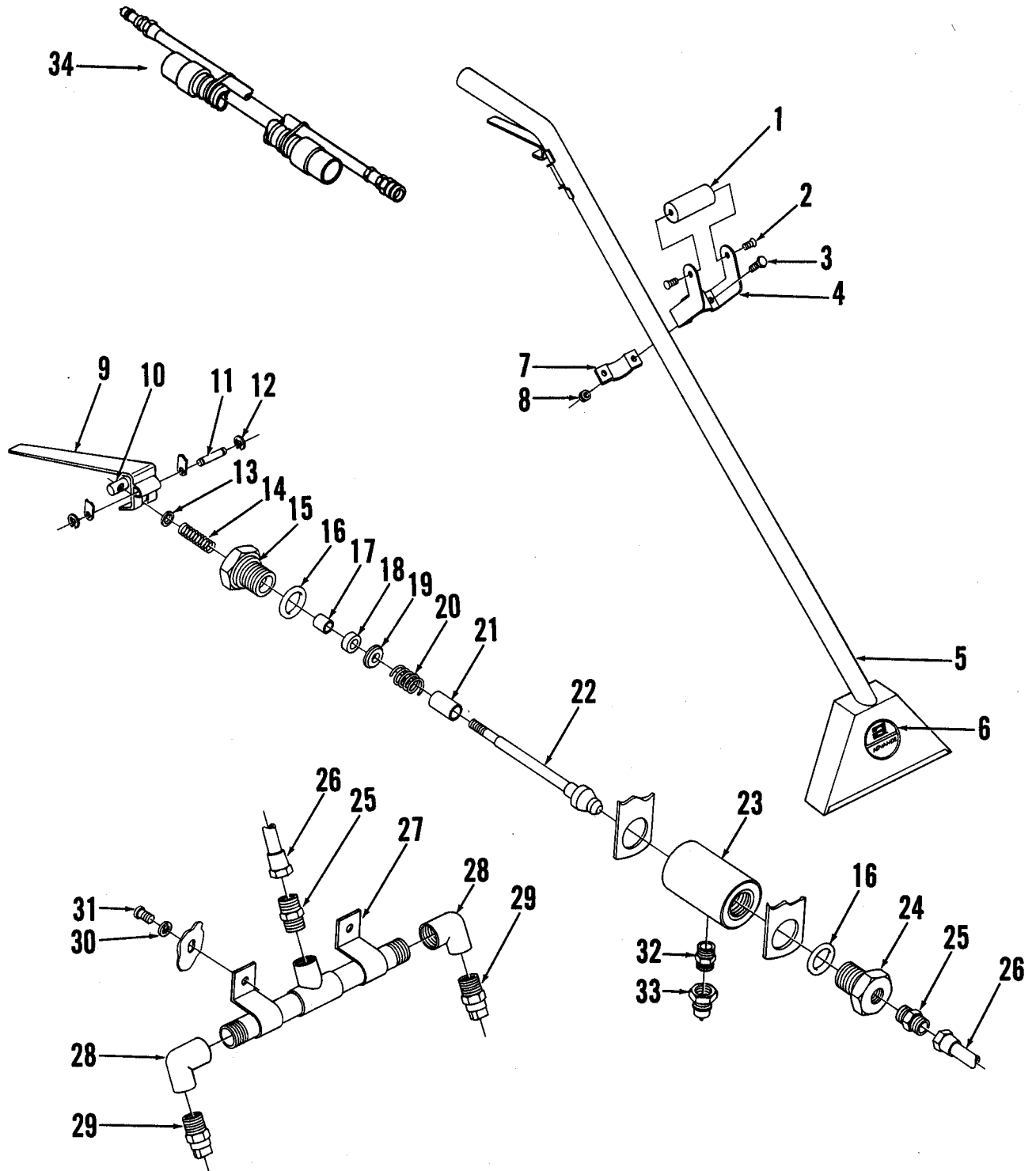
VACUUM HEAD ASSEMBLY

Item	Part No.	Qty	Description
	249645	1	Vacuum Head Assembly 115V
	249496	1	Vacuum Head Assembly 230V
1	250224	1	Plug Assembly
2	301396	1	Strain Relief
3	015074	1	Decal, Lint Screen
4	015076	1	Decal, Advance
5	249573	1	Shroud
6	249680	4	Screw
7	570220	6	Screw
8	249537	2	Foam
9	200340	1	Toggle Switch 115V
	301636	1	Toggle Switch 230V
10	017813	1	Decal, Aquatron
11	249602	1	Console
12	209826	1	Receptacle
13	570514	2	Screw
14	756514	1	Boot
15	002124	3	Screw
16	023224	1	Decal, On-Off
17	249612	1	Ring
18	249533	1	Foam
19	249648	1	Gasket
20	249622	1	Mounting Ring
21	205653	1	Foam
22	249535	1	Foam
23	249656	1	Gasket
24	249502	1	Vacuum Motor 115V
	249497	1	Vacuum Motor 230V
25	249531	1	Foam
26	205652	6	Foam
27	249577	1	Baffle Ring
28	249644	1	Gasket
29	249515	1	Base Cover
30	249640	1	Gasket
31	209571	1	Float
32	209566	1	Shield
33	249604	1	Float Housing
34	209485	4	Screw
35	249646	1	Gasket
36	209488	12	Screw
37	249642	1	Gasket
38	249558	6	Spacer
39	249559	2	Tab
40	002519	2	Screw
41	002349	11	Nut
42	002003	2	Screw
43	002011	2	Washer
44	300542	1	Clamp



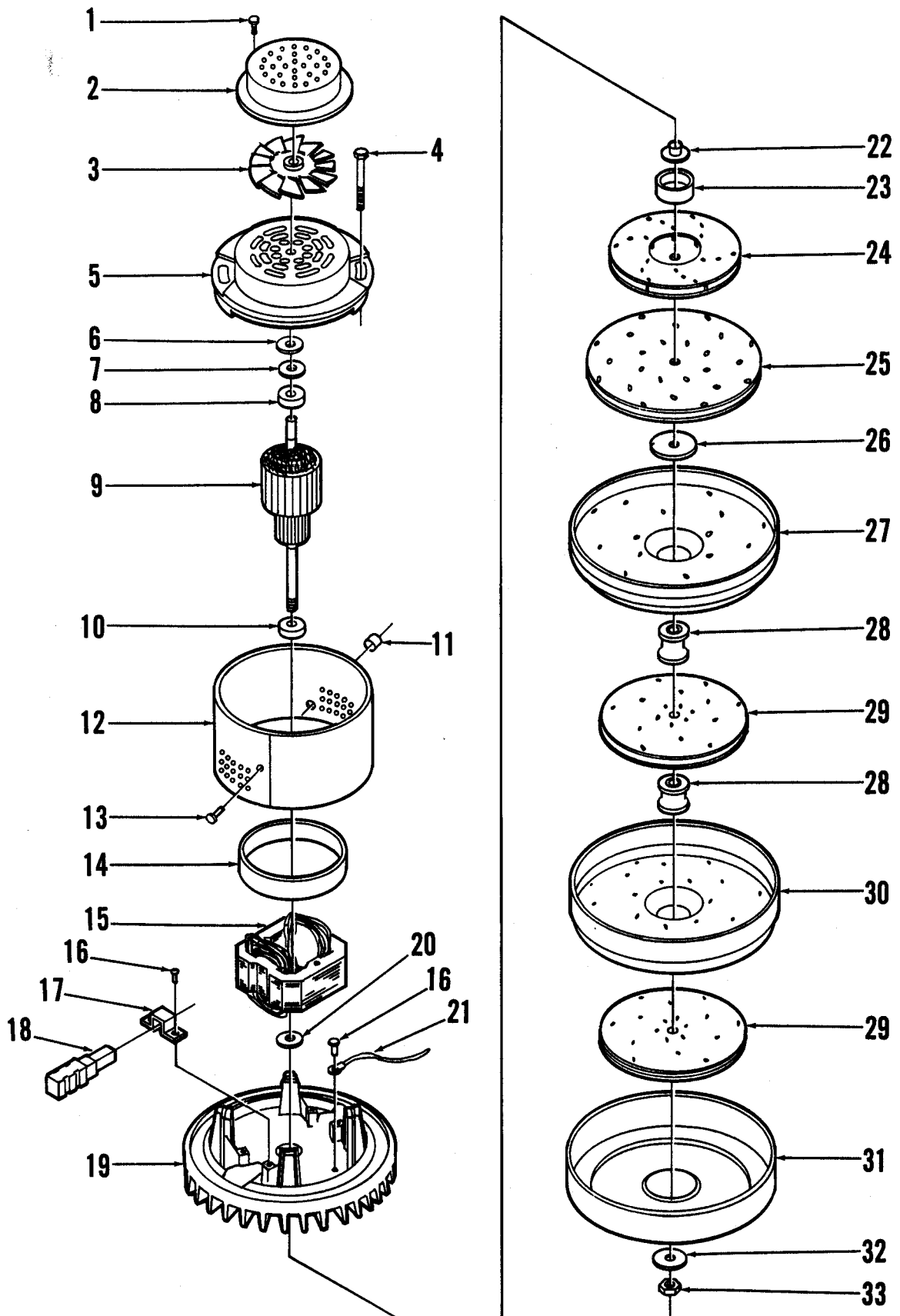
WIRING DIAGRAM

Item	Part No.	Qty	Description
1	200340	1	Toggle Switch 115V
	301636	1	Toggle Switch 230V
2	209826	1	Receptacle
3	249502	1	Vacuum Motor 115V
	249497	1	Vacuum Motor 230V
4	250168	1	Varistor Assembly 230V
5	249527	1	Indicator Light 115V
	249529	1	Indicator Light 230V
6	249930	1	Pump 115V
	249932	1	Pump 230V
7	249534	2	Choke Coil 230V
8	249538	1	RFI Filter 230V
9	249638	1	Cord Set 115V
	209769	1	Cord Set 230V
10	207075	1	Toggle Switch 115V
	301636	1	Toggle Switch 230V
11	250228	1	Receptacle
12	250224	1	Plug Assembly



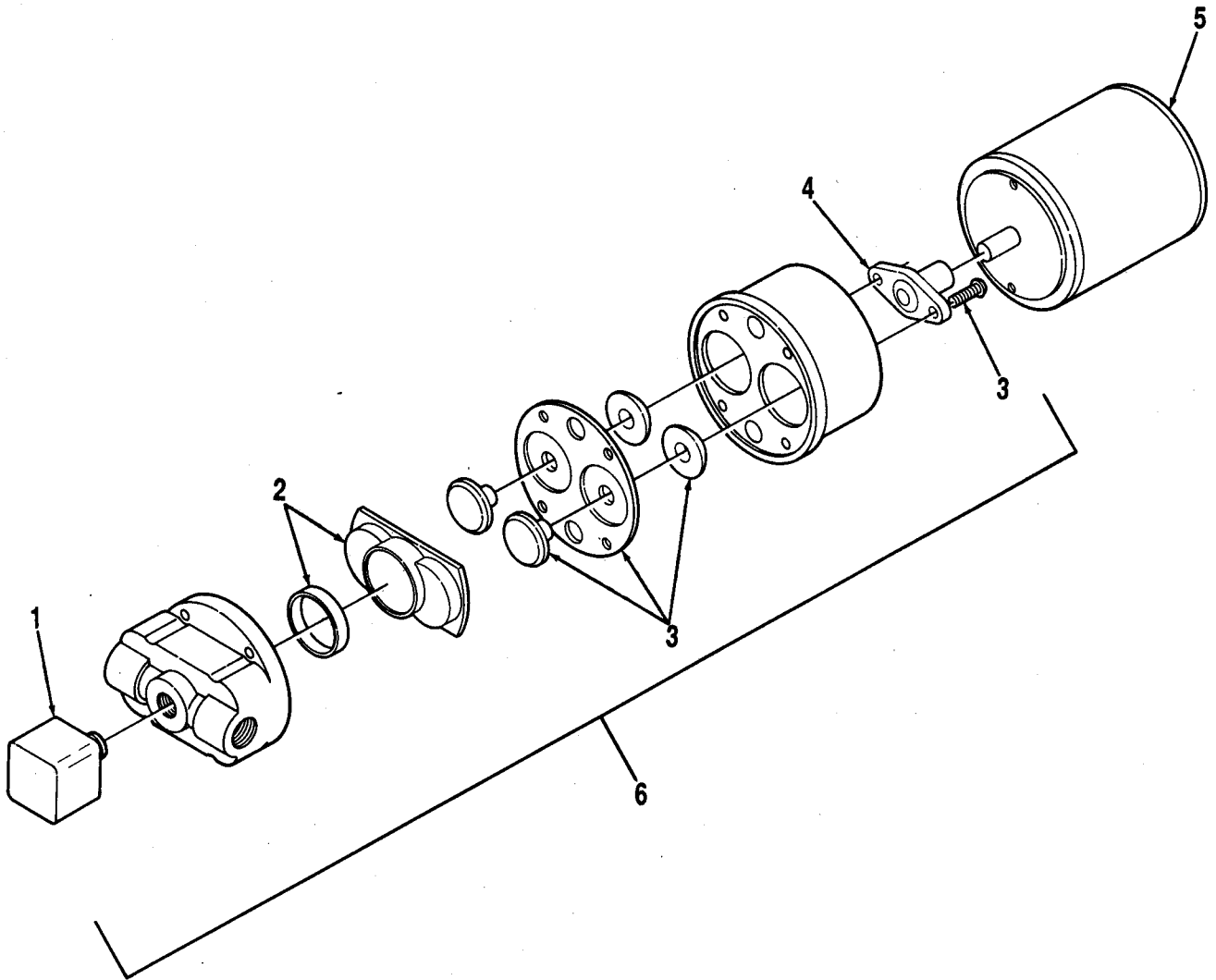
OPTIONAL FLOOR TOOL

Item	Part No.	Qty	Description
1	260363	1	Handle
2		2	5/16-18 X .75 Screw
3		2	5/16-18 X .50 Screw
4	260361	1	Bracket
5	260370	1	Wand
6	017019	1	Decal, Advance
7	260362	1	Clamp
8		2	5/16-18 Whiz Nut
9	260364	1	Lever
10	260328	1	Handle Guide
11	260324	1	Lever Pin
12	321128	2	Retaining Ring
13		1	#6 Flat Washer
14	260310	1	Spring
15	260304	1	Rear Valve Plug
16	900039	2	O-Ring
17	260330	1	Bushing
18	900037	1	Quad-Ring
19	260306	1	Valve Washer
20	260308	1	Spring
21	260309	1	Valve Stop
22	260399	1	Poppet & Stem Assembly
23	260302	1	Valve Body
24	260303	1	Front Valve Plug
25	900025	2	Male Connector
26	260366	1	Tube Assembly
27	260367	1	Manifold Assembly
28	111295	2	Brass Elbow
29		2	Spray Nozzle
30		4	#8 Shakeproof Washer
31	900619	4	Screw
32	900044	1	Nipple
33	220526	1	Coupling
34	249910	1	Optional Extractor Hose Assembly



VACUUM MOTOR

Item	Part No.	Qty	Description	Item	Part No.	Qty	Description
1	249725	2	Screw	18	260159	2	Brush Mechanism
2	249727	1	Cover	19	249658	1	End Bracket
3	249729	1	Ventilating Fan	20	202330	1	Neoprene Washer
4	260156	2	Screw	21	260160	1	Ground Lead
5	202584	1	Bracket	22	260162	1	Spacer
6	249651	1	Load Spring	23	249751	1	Slinger
7	203238	1	Disc	24	249753	1	Rotating Fan
8	249737	1	Ball Bearing	25	202592	1	Rotating Fan
9	260157	1	Armature (115 Volt)	26	249661	1	Washer
10	228051	1	Ball Bearing	27	249755	1	Stationary Fan
11	202762	1	Bushing	28	203516	2	Spacer
12	249745	1	Band	29	372588	2	Rotating Fan
13	249653	1	Screw	30	260163	1	Stationary Fan
14	249739	1	Air Vent Ring	31	249757	1	Shell
15	260158	1	Field (115 Volt)	32	202711	1	Washer
16	202772	5	Screw	33	203440	1	Nut
17	203254	2	Clamp				



REPLACEMENT PARTS for 115V PUMP (249930)

Item	Part No.	Description
1	249947	Pressure Switch
2	249943	Valve Kit
3	249939	Diaphragm Kit (series 2000 pump only)
3	249834	Diaphragm Kit (series 2100 pump only)
4	249935	Cam/Bearing Assy (series 2000 pump only)
4	249835	Cam/Bearing Assy (series 2100 pump only)
5	249820	End Bell/Rectifier
6	249840	Pump Head Assembly

REPLACEMENT PARTS for 230V PUMP (249932)

Item	Part No.	Description
1	249947	Pressure Switch
2	249943	Valve Kit
3	249939	Diaphragm Kit (series 2000 pump only)
3	249834	Diaphragm Kit (series 2100 pump only)
4	249935	Cam/Bearing Assy (series 2000 pump only)
4	249835	Cam/Bearing Assy (series 2100 pump only)
5	249822	End Bell/Rectifier
6	249841	Pump Head Assembly



Nilfisk-Advance, Inc.
14600 21st Avenue North
Plymouth, MN, 55447-3408
www.nilfisk-advance.com
Phone: 800-989-2235
Fax: 800-989-6566
©2001 Nilfisk-Advance, Inc.,
Plymouth, MN 55447-3408
Printed in the U.S.A.