



Electronic Service Manuals

This electronic document is provided as a service to our customers. We do not create the contents of the information contained in this document. Should you have detailed questions pertaining to the information contained in this document, you may contact Michco, or the manufacturer which provided the original information in this electronic deliverable. Michco's only part in this electronic deliverable was the electronic assembly process.

You may contact Michco through the following methods:
Phone (517) 484-9312 or (800) 331-3339 MI, OH, IN only
2011 N. High St. -- Lansing, Michigan -- 48906
Fax: (517) 484-9836
Email: CustServ@Michco.com
Web site: www.Michco.Com
Parts Web site: www.FloorMachineParts.Com

Order Parts on Line at:
www.FloorMachineParts.Com

Directly to Parts & Service:
By Email: **Shop@Michco.com**
By Fax: (517) 702-2041
By Voice: Use numbers above.

Serving the Cleaning Industry Since 1922

Notice: All copyrighted material remains property of original owners, all trademarks are property of respective owners. Manuals are subject to Manufacturer's reproduction limitations. Originals or reproductions were provided by manufacturers through a request. We make no warranty as to the correctness of information provided in this document and you assume all risk.

Roamer™



PARTS LIST

Advance MODELS 300G, 8340G, 8340P

This parts list is for machines after serial number 401615

All models covered in this manual are OBSOLETE



**Nilfisk
Advance**

setting standards

4/91 revised 4/01 FORM NO. 56042246

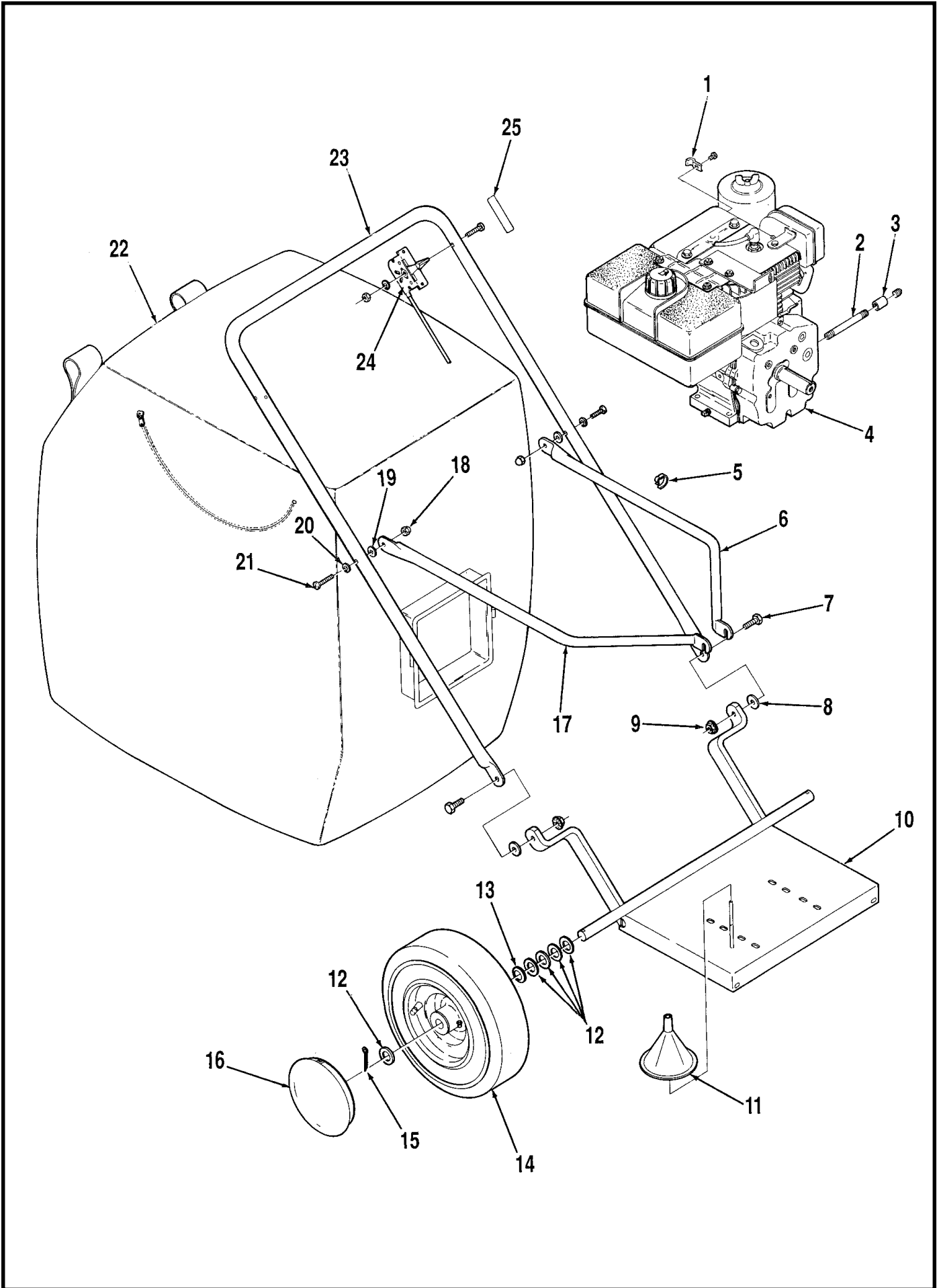
TABLE OF CONTENTS

| DESCRIPTION | PAGE |
|-------------------------------|-------------|
| Chassis | 1-2 |
| Blower Housing | 3-4 |
| Intake Housing (Roamer) | 5-6 |
| Intake Housing (Gulper) | 7-8 |
| Propane Parts | 9-10 |
| Propane Tank Bracket | 11-12 |

WHEN ORDERING PARTS

- * Use the 6 digit numbers from the "Part No." columns in this parts list.
- * Specify the model and serial number of the machine.
- * Use the space below to record the model and serial number for future reference.

Model _____ Serial No. _____

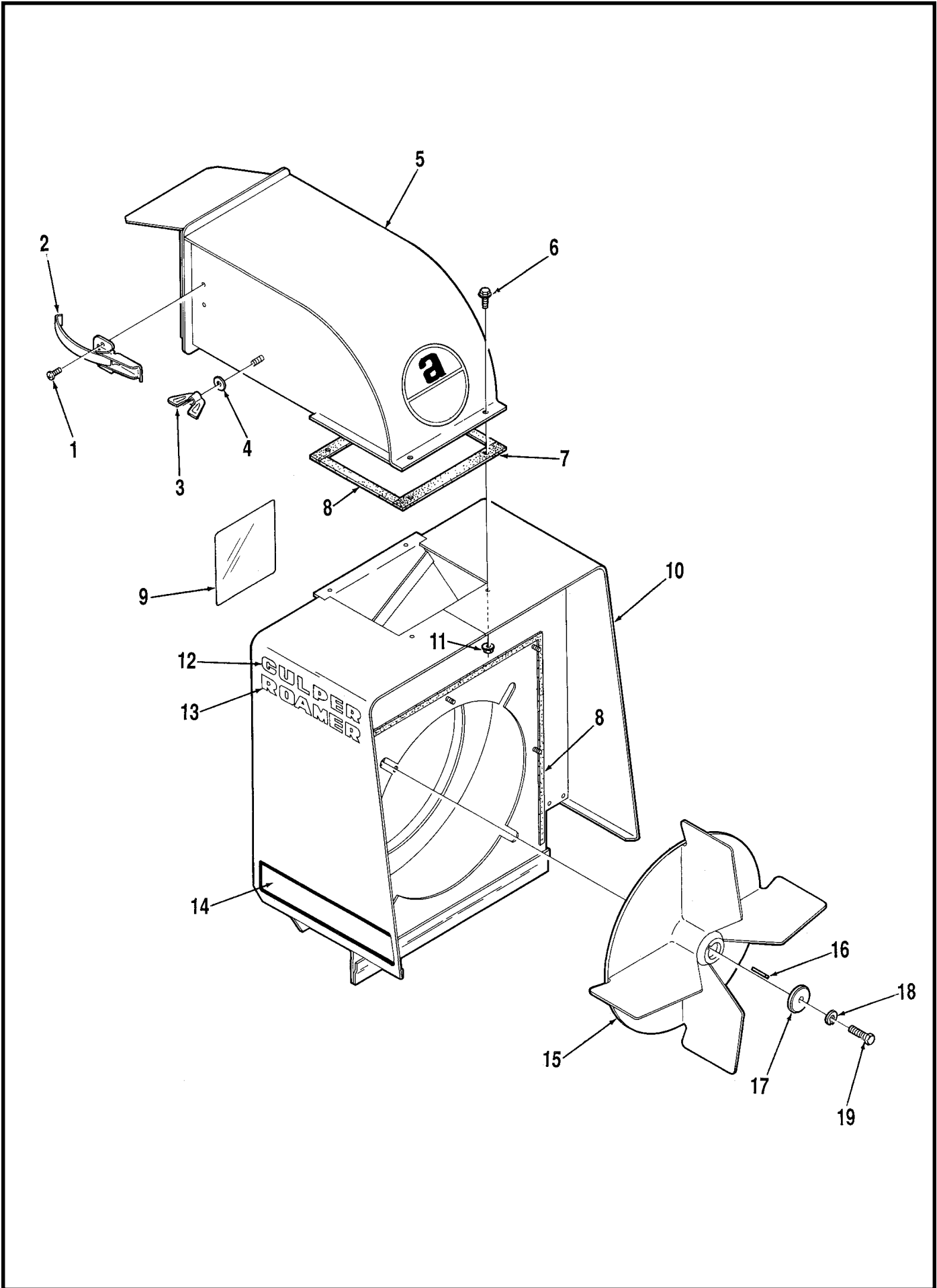


CHASSIS

| Item | Part No. | Qty | Description |
|------|----------|-----|---------------------------------|
| 1 | 344265 | 1 | Cable Clamp, Roamer only |
| 2 | 442291 | 1 | Nipple |
| 3 | 442305 | 1 | Connector |
| 4 | 342606 | 1 | Gasoline Engine |
| * | 342607 | 1 | Outer Air Filter (Foam) |
| * | 342608 | 1 | Inner Air Filter (Paper) |
| * | 342611 | 1 | Muffler |
| * | 342612 | 1 | Muffler Bolt |
| * | 342613 | 1 | Muffler Bolt Retainer |
| * | 340795 | 1 | Top Bracket |
| 5 | 344346 | 2 | Cable Clamp |
| 6 | 357818 | 1 | Left Brace |
| 7 | | 2 | 3/8-16 x 1 Bolt |
| 8 | | 2 | 3/8 Flat Washer |
| 9 | | 2 | 3/8-16 Nut |
| 10 | 359875 | 1 | Base, Roamer only |
| | 359820 | 1 | Base, Gulper Roamer only |
| 11 | 340812 | 1 | Funnel |
| 12 | 367192 | 10 | Washer, Roamer only |
| 13 | 362883 | 2 | Spring Washer, Roamer only |
| 14 | 340073 | 2 | Wheel, Roamer only |
| | 359805 | 2 | Wheel, Gulper Roamer only |
| 15 | | 2 | Cotter Key |
| 16 | 340103 | 2 | Hub Cap, Roamer only |
| 17 | 357819 | 1 | Right Brace |
| 18 | | 2 | 1/4-20 Nut |
| 19 | | 2 | 1/4 Flat Washer |
| 20 | | 2 | 1/4 Lock Washer |
| 21 | | 2 | 1/4-20 x 1-1/4 Screw |
| 22 | 343471 | 1 | Collector Bag |
| ** | 340359 | 1 | Bag Support Trailer (not shown) |
| 23 | 359817 | 1 | Handle |
| 24 | 343560 | 1 | Throttle Cable |
| 25 | 015350 | 1 | Decal, Throttle |

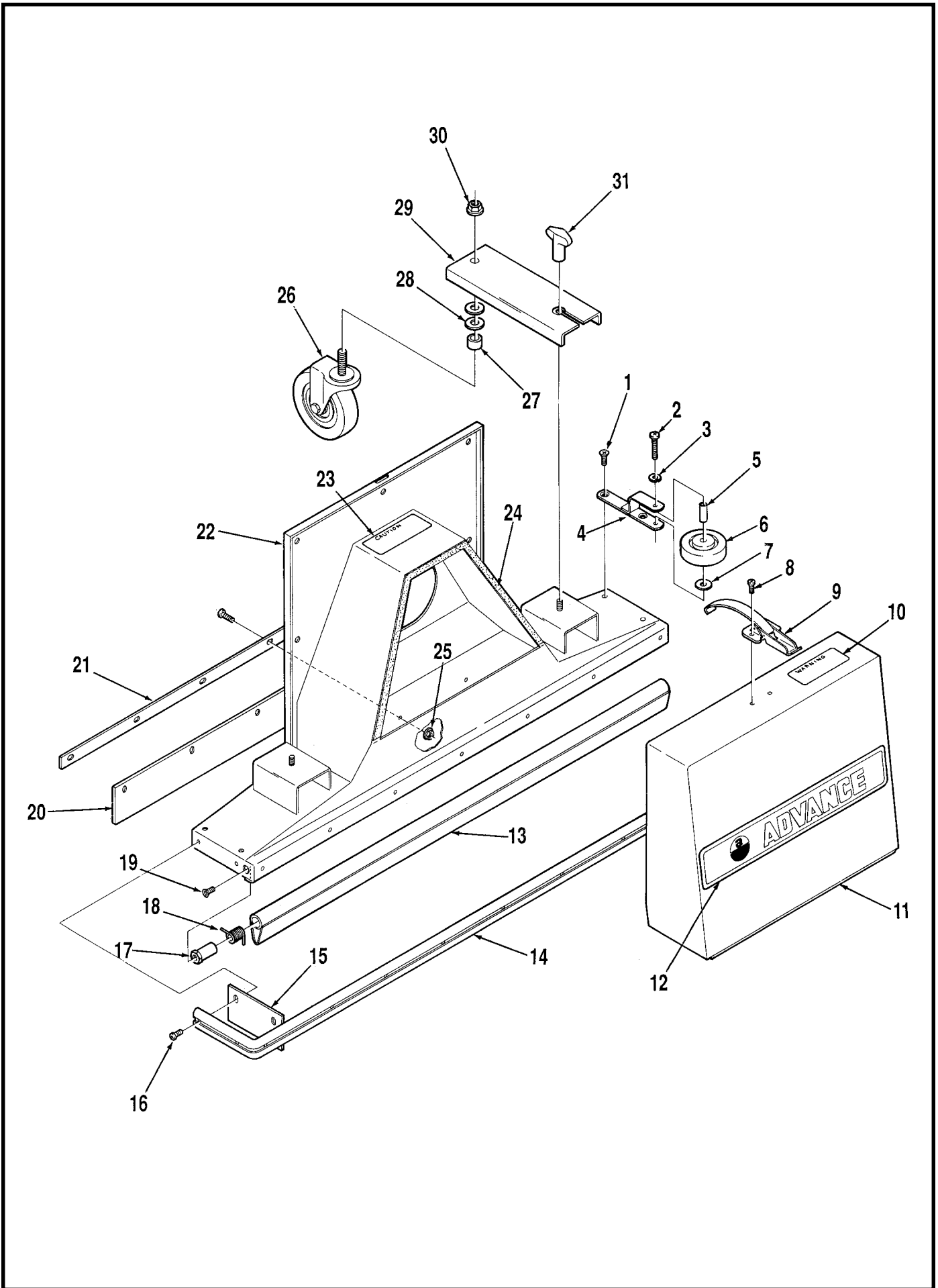
* = Replacement Parts for Engine

** = Optional Accessory



BLOWER HOUSING

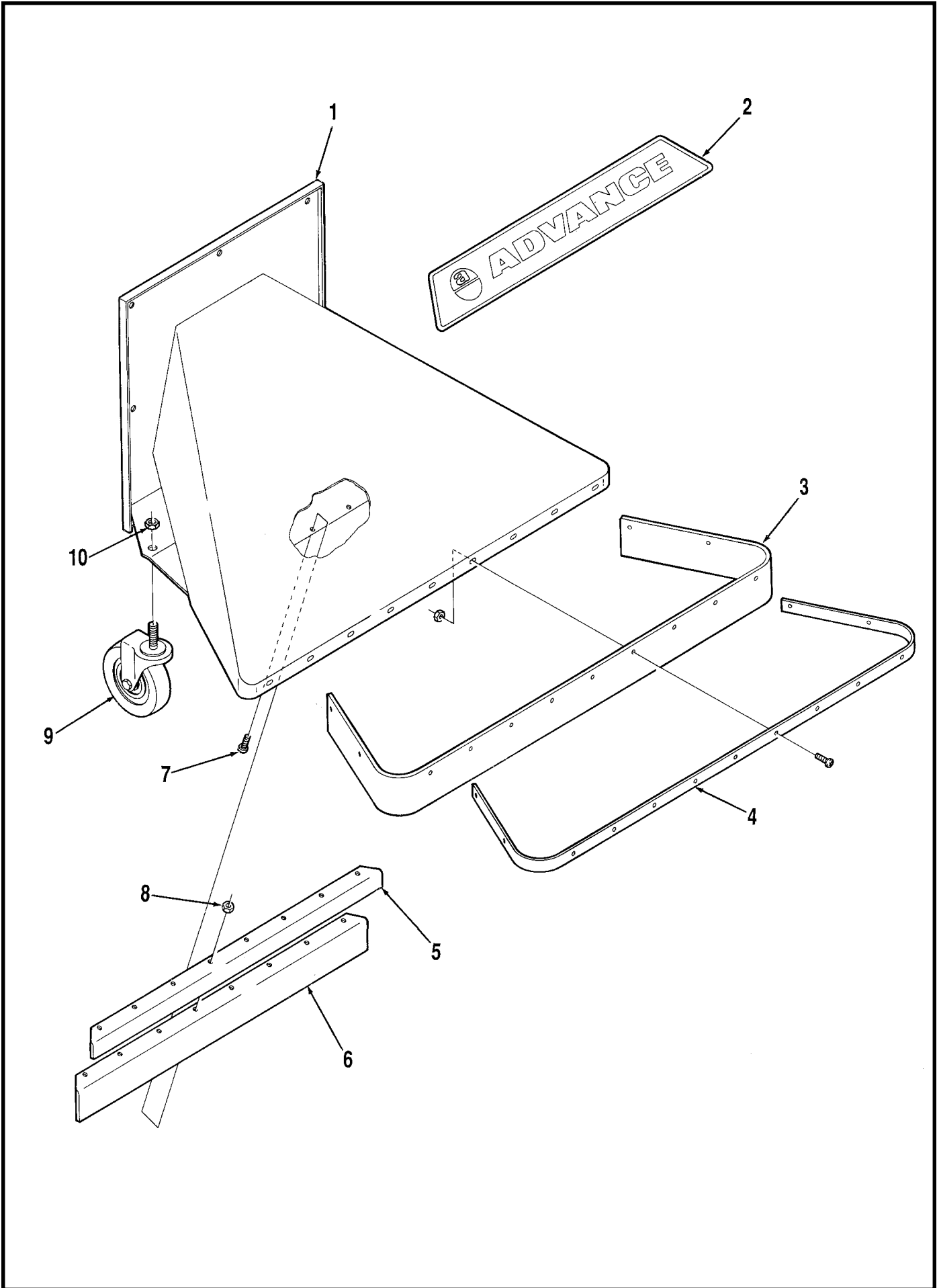
| Item | Part No. | Qty | Description |
|-------------------------|----------|-----|--------------------------------------------------------------------------------------------|
| | 359806 | 1 | Blower Housing Assembly (#1-14) |
| 1 | | 4 | #10-24 x 1/2 Screw |
| 2 | 371181 | 2 | Clamp |
| 3 | 206677 | 2 | Wing Nut |
| 4 | | 2 | 1/4 Flat Washer |
| 5 | 359809 | 1 | Exhaust Chute |
| 6 | | 4 | 1/4-20 x 1/2 Screw |
| 7 | 355917 | 2 | Gasket |
| 8 | 300314 | 5' | Gasket (1.5 Meters) |
| 9 | 015377 | 1 | Decal, Instructions |
| 10 | 359808 | 1 | Blower Housing |
| 11 | | 4 | 1/4-20 Nut |
| 12 | 014363 | 1 | Decal, Gulper Roamer only |
| 13 | 014361 | 2 | Decal, Roamer |
| 14 | 014367 | 1 | Decal, Right Stripe |
| * | 014368 | 1 | Decal, Left Stripe |
| 15 | 359824 | 1 | Impeller |
| 16 | 340863 | 1 | Key |
| 17 | 367117 | 1 | Washer |
| 18 | | 1 | 3/8 Lock Washer |
| 19 | | 1 | 3/8-24 x 1-1/4 Bolt |
| ** | 359885 | 1 | Wand Kit with Adapter and 6" x 15' Hose |
| ** | 359884 | 1 | Wand Kit with Adapter and 3" x 15' Hose |
| ** | 359016 | 1 | Safety Interlock Kit - shuts off engine when impeller cover or hose adapter is removed. |
| * = Not Shown | | | |
| ** = Optional Accessory | | | |



INTAKE HOUSING (ROAMER)

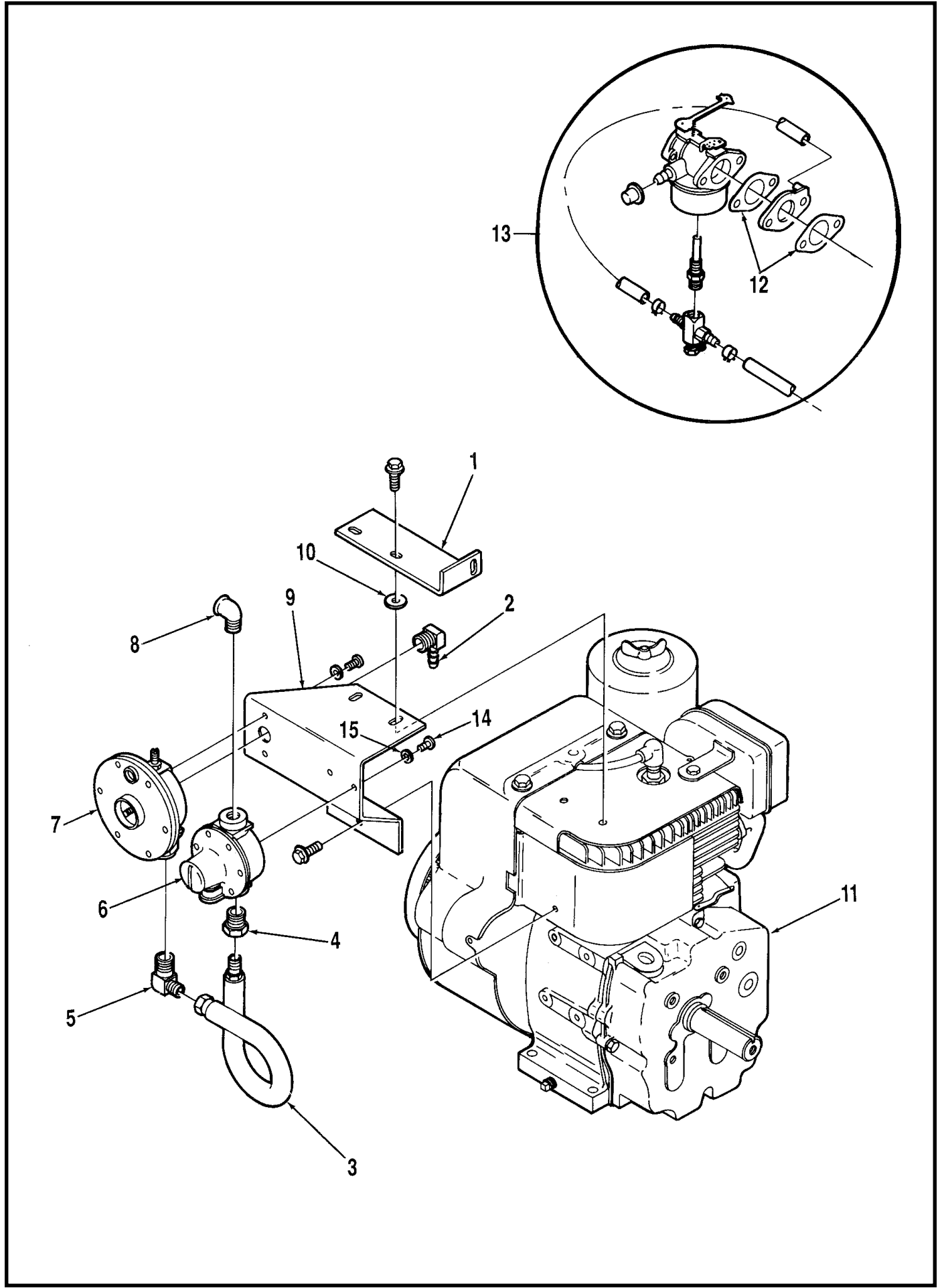
| Item | Part No. | Qty | Description |
|------|----------|-----|---------------------------------|
| | 359867 | 1 | Intake Housing Assembly (#1-25) |
| 1 | | 4 | 1/4-20 x 1/2 Screw |
| 2 | | 2 | 1/4-20 x 1-1/2 Screw |
| 3 | | 2 | 1/4 Lock Washer |
| 4 | 359868 | 2 | Bracket |
| 5 | 360139 | 2 | Bushing |
| 6 | 363855 | 2 | Wheel |
| 7 | 371009 | 2 | Washer |
| 8 | | 2 | #10-24 x 1/2 Screw |
| 9 | 371181 | 1 | Clamp |
| 10 | 015398 | 1 | Decal, Warning |
| 11 | 359870 | 1 | Cover |
| 12 | 014357 | 1 | Decal, Advance |
| 13 | 354090 | 1 | Plate |
| 14 | 354619 | 1 | Bumper |
| 15 | 355119 | 2 | End Blade |
| 16 | | 11 | #8-32 x 5/8 Screw |
| 17 | 354155 | 2 | Pivot |
| 18 | 354236 | 1 | Right Spring |
| * | 354201 | 1 | Left Spring |
| 19 | | 9 | 1/4-20 x 3/4 Screw |
| 20 | 354708 | 1 | Rear Blade |
| 21 | 354724 | 1 | Strap |
| 22 | 359869 | 1 | Intake Housing |
| 23 | 015393 | 1 | Decal, Caution |
| 24 | 320099 | 2' | Gasket (.6 Meter) |
| 25 | | 7 | 1/4-20 Nut |
| 26 | 355038 | 2 | Caster |
| 27 | 355011 | 2 | Bushing |
| 28 | | 4 | 7/16 Flat Washer |
| 29 | 359871 | 2 | Bracket |
| 30 | | 2 | 7/16-14 Nut |
| 31 | 370711 | 2 | Thumb Nut |

* = Not Shown



INTAKE HOUSING (GULPER)

| Item | Part No. | Qty | Description |
|------|----------|-----|---------------------------------|
| | 359826 | 1 | Intake Housing Assembly (#1-10) |
| 1 | 359827 | 1 | Intake Housing |
| 2 | 014359 | 1 | Decal, Advance |
| 3 | 359564 | 1 | Blade |
| 4 | 359560 | 1 | Front Strap |
| 5 | 359568 | 1 | Rear Strap |
| 6 | 359572 | 1 | Blade |
| 7 | | 21 | 1/4-20 x 3/4 Screw |
| 8 | | 21 | 1/4-20 Nut |
| 9 | 385070 | 2 | Caster |
| 10 | | 2 | 1/2-13 Nut |

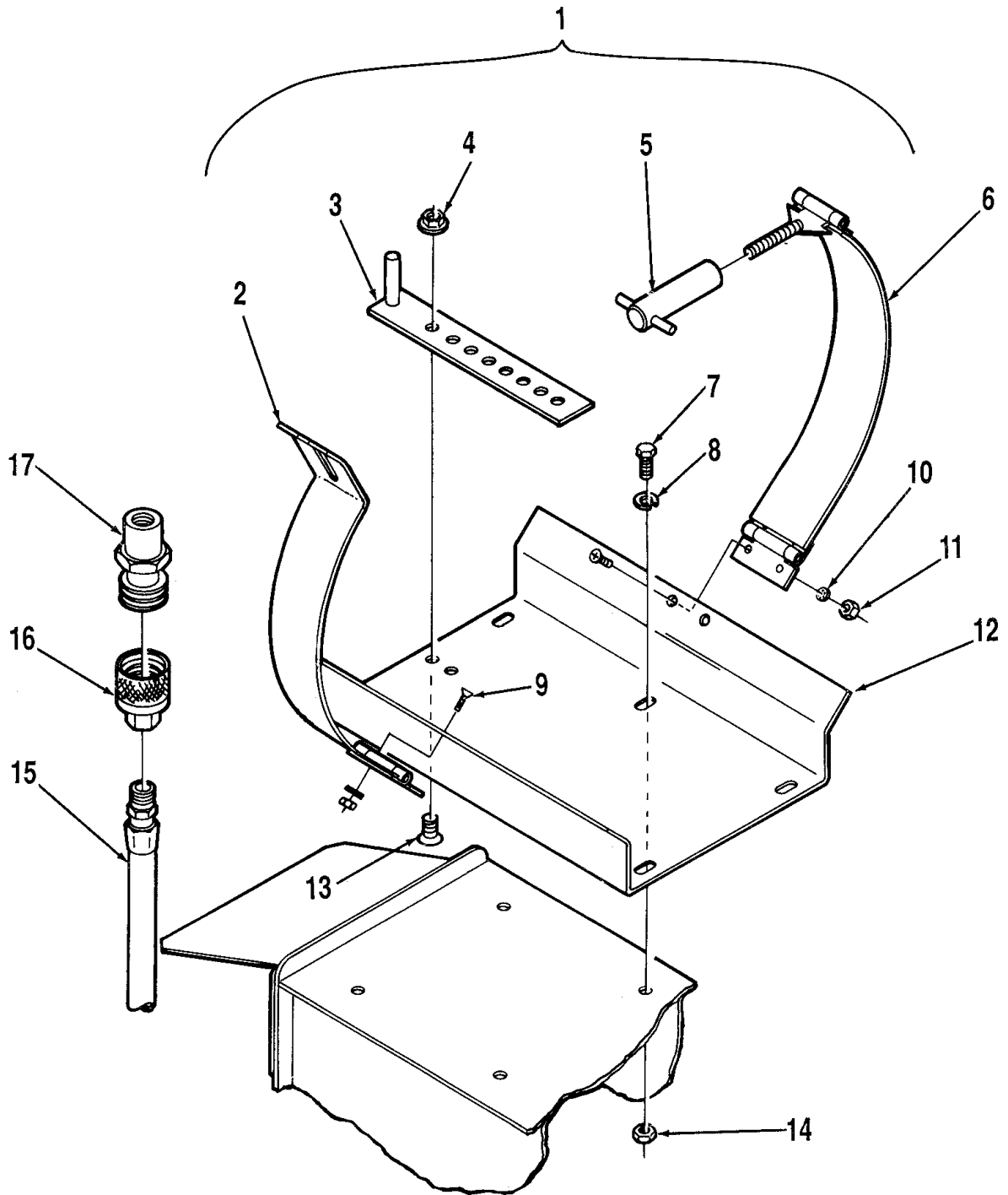


PROPANE PARTS

| Item | Part No. | Qty | Description |
|------|----------|-----|----------------------------------------------------------|
| 1 | 340795 | 1 | Bracket |
| 2 | 470138 | 1 | Hose Barb |
| 3 | 374377 | 1 | Hose |
| 4 | 374369 | 1 | Reducer |
| 5 | 369616 | 1 | Elbow |
| 6 | 369721 | 1 | Primary Regulator |
| 7 | 344699 | 1 | Secondary Regulator |
| 8 | 369632 | 1 | Elbow |
| 9 | 359866 | 1 | Bracket |
| 10 | | 2 | 1/4 Flat Washer |
| 11 | 344518 | 1 | Propane Engine (includes #1,12,13) |
| * | 342607 | 1 | Outer Air Filter (Foam) |
| * | 342608 | 1 | Inner Air Filter (Paper) |
| * | 342611 | 1 | Muffler |
| * | 342612 | 2 | Muffler Bolt |
| * | 342613 | 1 | Muffler Bolt Retainer |
| 12 | 406358 | 2 | Gasket |
| 13 | 344568 | 1 | Carburetor Adapter Kit (Carburetor and #12 not included) |
| 14 | | 2 | #8-32 x 3/8 Screw |
| 15 | | 2 | #8 Shakeproof Washer |

* = Replacement Parts for Engine

NOTE: 100015 LP Conversion Kit includes items 1-10 and 12-15 on page 10 and items 1-17 on page 12.



PROPANE TANK BRACKET

| Item | Part No. | Qty | Description |
|------|----------|-----|--------------------------|
| 1 | 470118 | 1 | Bracket Assembly (#2-14) |
| 2 | 369810 | 1 | Strap |
| 3 | 369756 | 1 | Locating Pin |
| 4 | | 4 | 5/16-18 Whiz Nut |
| 5 | 369802 | 1 | Thumb Nut |
| 6 | 369829 | 1 | Strap |
| 7 | | 4 | 5/16-18 x 1/2 Screw |
| 8 | | 4 | 5/16 Lock Washer |
| 9 | | 4 | #10-24 x 1/2 Screw |
| 10 | | 4 | #10 Shakeproof Washer |
| 11 | | 4 | #10-24 Nut |
| 12 | 470115 | 1 | Plate |
| 13 | | 2 | 5/16-18 x 5/8 Screw |
| 14 | | 4 | 5/16-18 Nut |
| 15 | 369691 | 1 | Hose |
| 16 | 369675 | 1 | Female Coupler |
| 17 | 369683 | 1 | Male Coupler |

NOTE: 100015 LP Conversion Kit includes items 1-10 and 12-15 on page 10 and items 1-17 on page 12.