



Electronic Service Manuals

This electronic document is provided as a service to our customers. We do not create the contents of the information contained in this document. Should you have detailed questions pertaining to the information contained in this document, you may contact Michco, or the manufacturer which provided the original information in this electronic deliverable. Michco's only part in this electronic deliverable was the electronic assembly process.

You may contact Michco through the following methods:
Phone (517) 484-9312 or (800) 331-3339 MI, OH, IN only
2011 N. High St. -- Lansing, Michigan -- 48906
Fax: (517) 484-9836
Email: CustServ@Michco.com
Web site: www.Michco.Com
Parts Web site: www.FloorMachineParts.Com

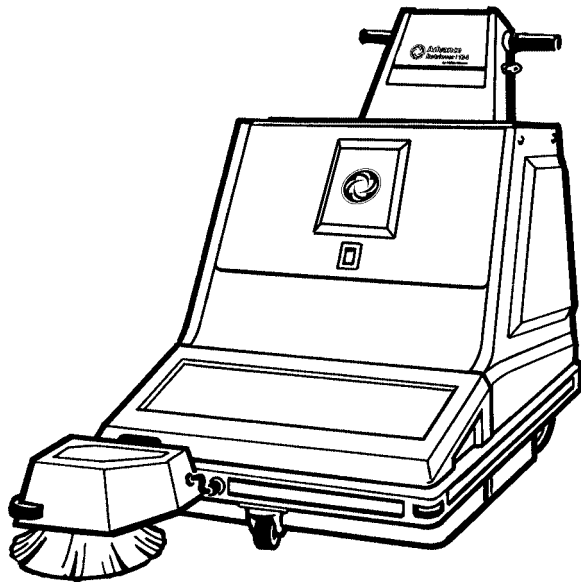
Order Parts on Line at:
www.FloorMachineParts.Com

Directly to Parts & Service:
By Email: **Shop@Michco.com**
By Fax: (517) 702-2041
By Voice: Use numbers above.

Serving the Cleaning Industry Since 1922

Notice: All copyrighted material remains property of original owners, all trademarks are property of respective owners. Manuals are subject to Manufacturer's reproduction limitations. Originals or reproductions were provided by manufacturers through a request. We make no warranty as to the correctness of information provided in this document and you assume all risk.

Retriever™ 134B



PARTS LIST **Advance MODEL 56467215**

This parts list is for machines after serial number 1118383



Advance
by Nilfisk-Advance

3/96 revised 7/02 FORM NO. 56042309

DESCRIPTION	PAGE
Handle Assembly	4-5
Chassis and Housing	6-7
Hopper and Main Broom	8-9
Impeller Assembly	10-11
Wheel Drive Assembly	12-13
Dust Skirts	14-15
Side Broom Assembly	16-17
Wiring Diagram	18-19

WHEN ORDERING PARTS

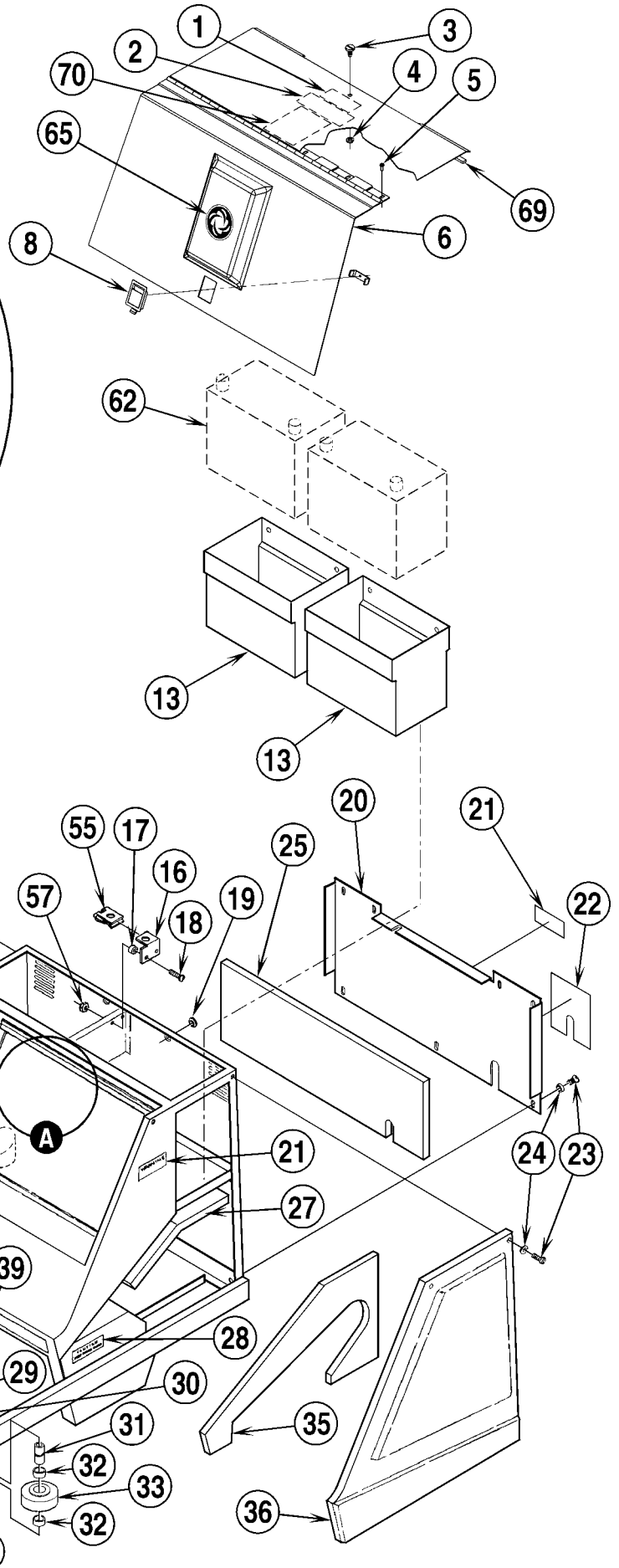
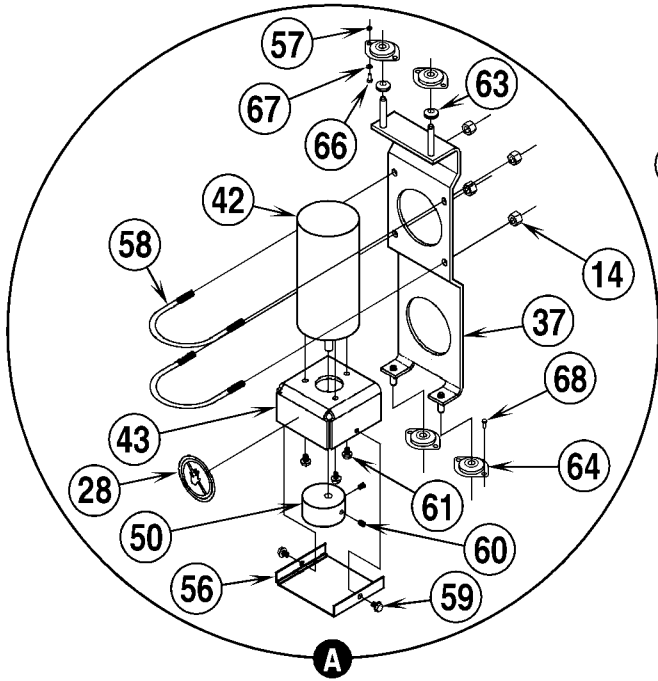
- * Use the 8 digit numbers from the "Ref. No." columns in this parts list.
- * Specify the model and serial number of the machine.
- * Use the space below to record the model and serial number for future reference.

Model _____ Serial No. _____

96-3	HANDLE ASSEMBLY			
02-7	Retriever™ 134B			5

Item	Ref. No.	Qty	Description	Item	Ref. No.	Qty	Description
	56467252	1	Handle Assembly	37	56002086	2	Scr, Soc Set Loc 5/16-18 x .25
1	56467225	1	Handle Weld't	38	56002098	6	Wsh, Flt SAE 1/4
2	56467255	1	Heat Sink	39	56002674	2	Scr, Pan Phil 10-24 x 1.00
3	56467256	4	Spacer	40	56015837	1	Decal, Brush
4	56467257	2	Tube, Handle	41	56015838	1	Decal, Circuit Breaker
5	56467259	1	Bar, Handle	42	56002857	2	Scr, Pan Phil 6-32 x .88
6	56324133	1	Lever, Handle Spring	43	56002830	4	Nut, Hex Nyl Loc 6-32
7	56261097	2	Bearing	44	56054192	1	Decal, Charger
8	56261066	4	Bushing	45	56023330	1	Decal, Main Switch
9	56367095	2	Collar	46	56009051	2	Scr, Pan Phil Thd Form 8-32x.38
10	56324033	1	Spring, Torsion	47	56009084	4	Scr, Soc Set Loc 10-24 x .19
11	56003214	3	Scr, Soc Shd 10-24 x .25 x 1.25	48	56002279	2	Scr, Soc Set Loc 8-32 x .25
12	56002836	15	Nut, Hex Nyl Loc 10-24	49	56002786	4	Scr, Pan Phil 1/4-20 x 1.50
13	56324513	1	Pulley, Cog	50	56002708	10	Nut, Hex Nyl Loc 1/4-20
14	56392859	1	Pulley, Cog	51	56377721	2	Spacer
15	56324022	1	Belt, Timing	52			Intentionally Omitted
16	56454740	1	Potentiometer, 5K	53	56002093	2	Scr, Hex 1/4-20 x 1.00
17	56002503	4	Scr, Hex 10-24 x .50	54	56002491	2	Nut, Hex Nyl Loc-Thin 1/4-20
18	56001954	4	Wsh, Flt SAE #10	55	56016290	1	Decal, Control Panel
19	56324023	1	Speed Controller	56	56015836	1	Decal, Shaker
20	56324128	1	Cover, Controller	57	56388545	2	Grip, Handle
21	56002674	4	Scr, Pan Phil 10-24 x 1.00	58	56015803	1	Decal, Wiring
22	56200754	4.7'	Gasket 1/8 x .50	59	56467813	1	Panel, Rear Handle
23	56009034	2	Scr, Pan Phil Thd Form 8-32 x .88	60	56024984	1	Decal, Brake
24	56261245	1	Brush Switch	61	56002153	6	Scr, Flt Phil 10-24 x .38
25	56441538	1	Switch, Key	62	56009081	6	Wsh, Finishing
*	56441539	A/R	Replacement Key	63	56328855	4	Spring Nut
26	56324305	1	Connector Housing	64	56001854	4	Scr, Hex 1/4-20 x .50
*	56324306	2	Replacement contacts	65	56002082	2	Pin, Spring .19 x 1.00
27	56462362	1	Charger Interlock Switch	66	56002043	2	Scr, Pan Phil 10-24 x .38
28	56387316	1	10A Circuit Breaker	67	56467323	1	Charger Plug Mount
29	56395454	2	20A Circuit Breaker	*	56467237	1	Wiring Harness
30	56468175	1	Shaker Switch	*	56478246	3	Cable Tie
31	56372089	1	Battery Gauge	*	56462361	2	Connector, 2 Way Female
32	56009192	2	Rivet, Push Nylon Black				
33	56467065	1	Mount, Potentiometer				
34	56467175	1	Block, Terminal				
35	56468358	1	Solenoid				
36	56001836	2	Scr, Hex 1/4-20 x .62				

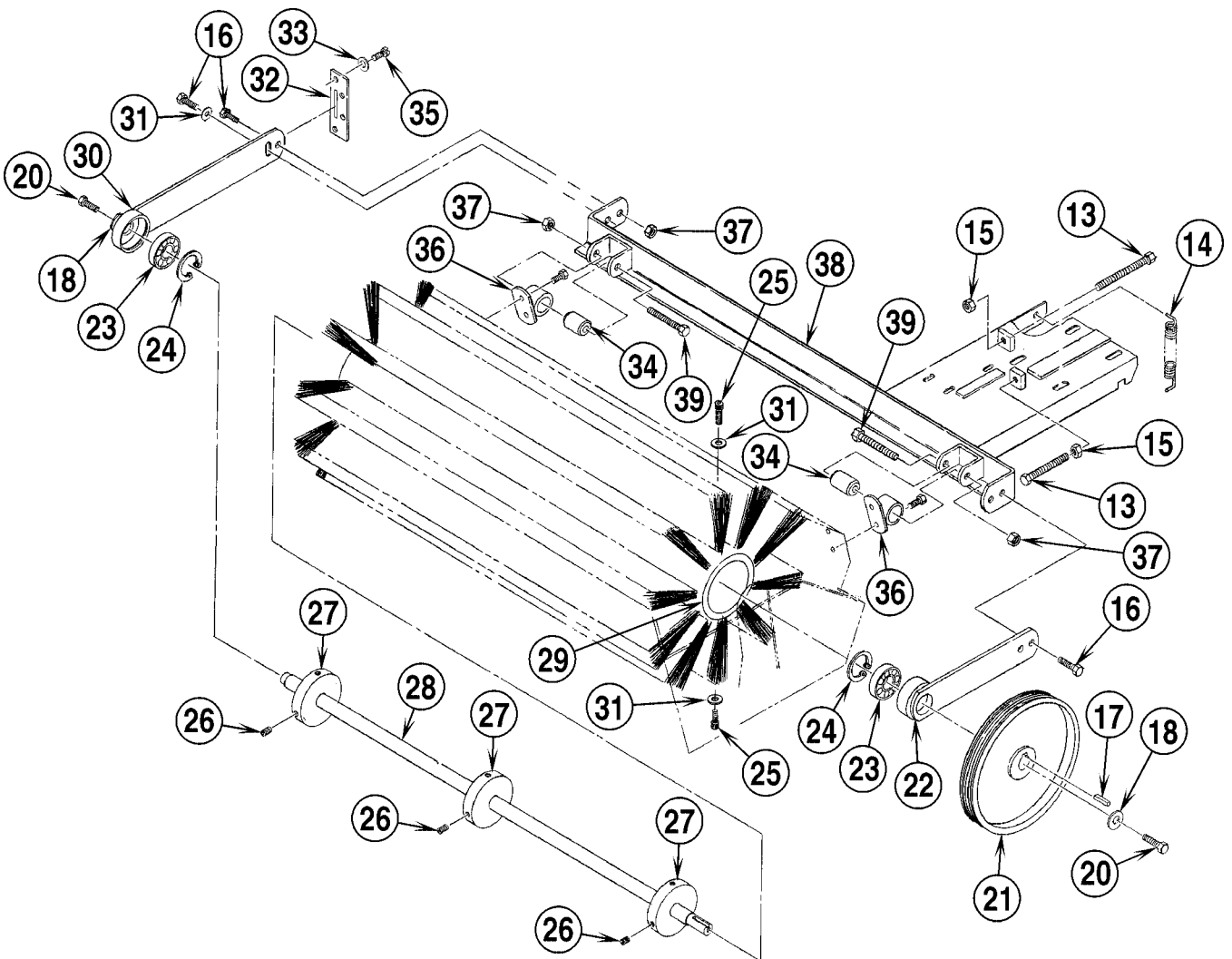
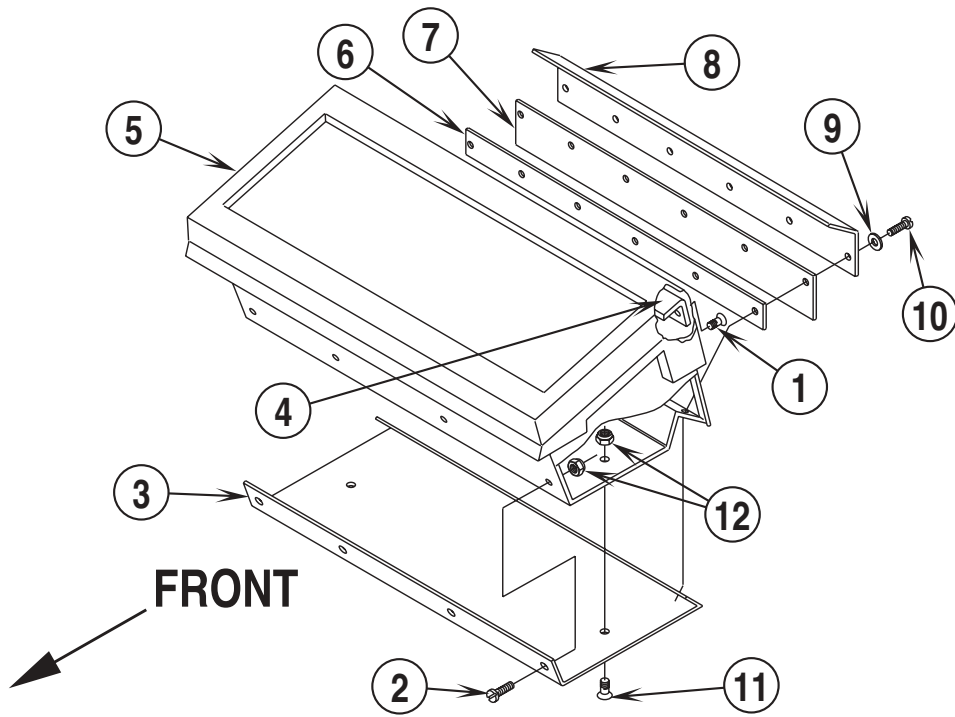
* = Not Shown



Item	Ref. No.	Qty	Description	Item	Ref. No.	Qty	Description
1	56023312	1	Decal, Warning	36	56467812	1	Left Shroud
2	56016116	1	Decal, Caution	37	56467279	1	Motor Mount
3	56448104	1	Screw	38	56002836	4	Nut, Hex Nyl Loc SS 10-24
4	56448108	1	Retaining Washer	39	56467258	2	Plate
5	56001993	6	#10-24 x 1/2 Screw	40	56002178	4	Scr, Flt Phil 10-24 x .50
6	56467043	1	Door	41	56002964	2	Nut, Hex Nyl Loc Thin SS 6-32
7	56023320	1	Decal, Filter	42	56467307	1	Shaker Motor
8	56761160	1	Latch	43	56467273	1	Guard, Eccentric
	56455108	1	Clamp	44	56002332	2	#6-32 x 5/8 Screw
	56467038	1	Striker	45	56754090	1	Receptacle
9	56023334	1	Decal, Up	46	56206725	1	Caster
10	56023326	1	Decal, Shake	47	56002098	4	1/4 Washer
11	56467035	1	Gasket 84.5" x .38 x .38	48	56002155	4	1/4-20 x 3/4 Screw
12	56467388	1	Filter	49	56467309	1	Filter Assembly (#7, 9-12)
**	56467396	1	Filter, Hepa Media	**	56467397	1	Hepa Filter Assembly
**	56467398	1	Filter, Electrostat Media	**	56467399	1	Electrostat Filter Assembly
13	56467084	2	Battery Case	50	56467301	1	Eccentric
14	56002708	8	1/4-20 Nut	51	56467197	1	Foam
15			Intentionally Omitted	52	56467811	1	Right Shroud
16	56467596	1	Bracket	53	56467033	1	Gasket 72" x 3/16 x 3/8
17	56200689	2	Bushing	54	56467262	1	Frame
18	56002146	9	#8-32 x 5/8 Screw	55	56468960	1	Screw Receptacle
19	56157376	2	Grommet	56	56467277	1	Cover, Eccentric
20	56467810	1	Rear Panel	57	56002877	6	Nut, Hex Nyl Loc SS 8-32
21	56023318	4	Decal, Warning	58	56467271	2	U-Bolt
22	56023302	1	Decal, Brush Height	59	56009063	2	Scr, Hex Thd Form 10-24 x 1/4
23	56002153	11	Scr, Flt Phil 10-24 x .38	60	56009084	2	Scr, Soc Set Loc 10-24 x .19
24	56009081	11	Finishing Washer	61	56002001	3	Scr, Pan Phil 10-32 x .38
25	56467193	1	Foam	62	56206962	2	Battery, 12V (optional)
26			Intentionally Omitted	*	56206980	1	Charger 24V, Auto (optional)
27	56467189	1	Left Foam	63	56321559	2	Grommet
	56467191	1	Right Foam (Not Shown)	64	56467315	4	Mount, Vibration
28	56030080	2	Decal, Hands Clear	65	56016348	1	Decal, Logo
29	56009211	2	10-24 x 3/4 Screw	66	56003128	4	Scr, Hex Hd 8-32 x .38
30	56009096	4	Washer	67	56002140	4	Wsh, Flt SAE #8
31	56109038	4	Bearing	68	56009207	4	Scr, Pan Phil Loc 8-32 x .25
32	56109039	4	Bushing	69	56320099	2.1'	Gasket .37 x .12
33	56465026	2	Wheel	70	56015731	1	Decal, Battery Wiring
34	56002836	2	Nut, Hex Nyl Loc SS 10-24	*	56467039	2	Gasket 5.50" x .50 x .06
35	56467195	1	Foam				

* = Not Shown

** = Optional



96-3	HOPPER AND MAIN BROOM		
01-7	Retriever™ 134B		9

Item	Ref. No.	Qty	Description
	56467814	1	Hopper Assembly (#1-12)
1	56002306	5	Scr, Flt Hd 8-32 x .38
2	56001993	4	Scr, Pan Hd 10-24 x .50
3	56467818	1	Wear Plate
4	56467822	1	Angle
5	56467815	1	Hopper
6	56467816	1	Plate
7	56467208	1	Skirt
8	56467817	1	Angle
9	56009010	6	Wsh, Loc #8
10	56001860	6	Scr, Pan Hd 8-32 x .75
11	56002178	2	Scr, Flt Hd 10-24 x .50
12	56002836	6	Nut, Hex Nyl Loc SS 10-24
13	56467542	2	Screw
14	56467404	1	Spring
15	56002769	3	Nut, Hex Nyl Loc 3/8-16
16	56002155	6	Scr, Hex Hd 1/4-20 x .75
17	56003235	1	Key, Square .12 x .44
18	56009002	2	Washer
19			Intentionally Omitted
20	56001854	4	Scr, Hex Hd 1/4-20 x .50
21	56467204	1	Sheave
22	56467194	1	Left Brush Arm
23	56372773	2	Bearing
24	56366544	2	Retainer Ring
25	56002093	6	Scr, Hex Hd 1/4-20 x 1.00
26	56002119	3	Scr, Soc Set Loc 1/4-20 x .50
27	56475462	3	Brush Mounting Disc
28	56467182	1	Brush Shaft
29	56505606	1	Main Broom, Poly (std)
*	56475504	1	Main Broom, Union Mix (opt)
*	56505596	1	Main Broom, Non-Conductive (opt)
30	56467192	1	Right Brush Arm
31	56002098	7	Wsh, Flt SAE 1/4
32	56467350	1	Gasket
33	56002140	4	Wsh, Flt SAE #8
34	56467310	2	Rubber Mount
35	56001818	4	Scr, Pan Phil 8-32 x .38
36	56467312	2	Pivot
37	56002708	4	Nut, Hex Nyl Loc 1/4-20
38	56467178	1	Frame
39	56001874	2	Scr, Hex Hd 1/4-20 x 2.00

* = Not Shown

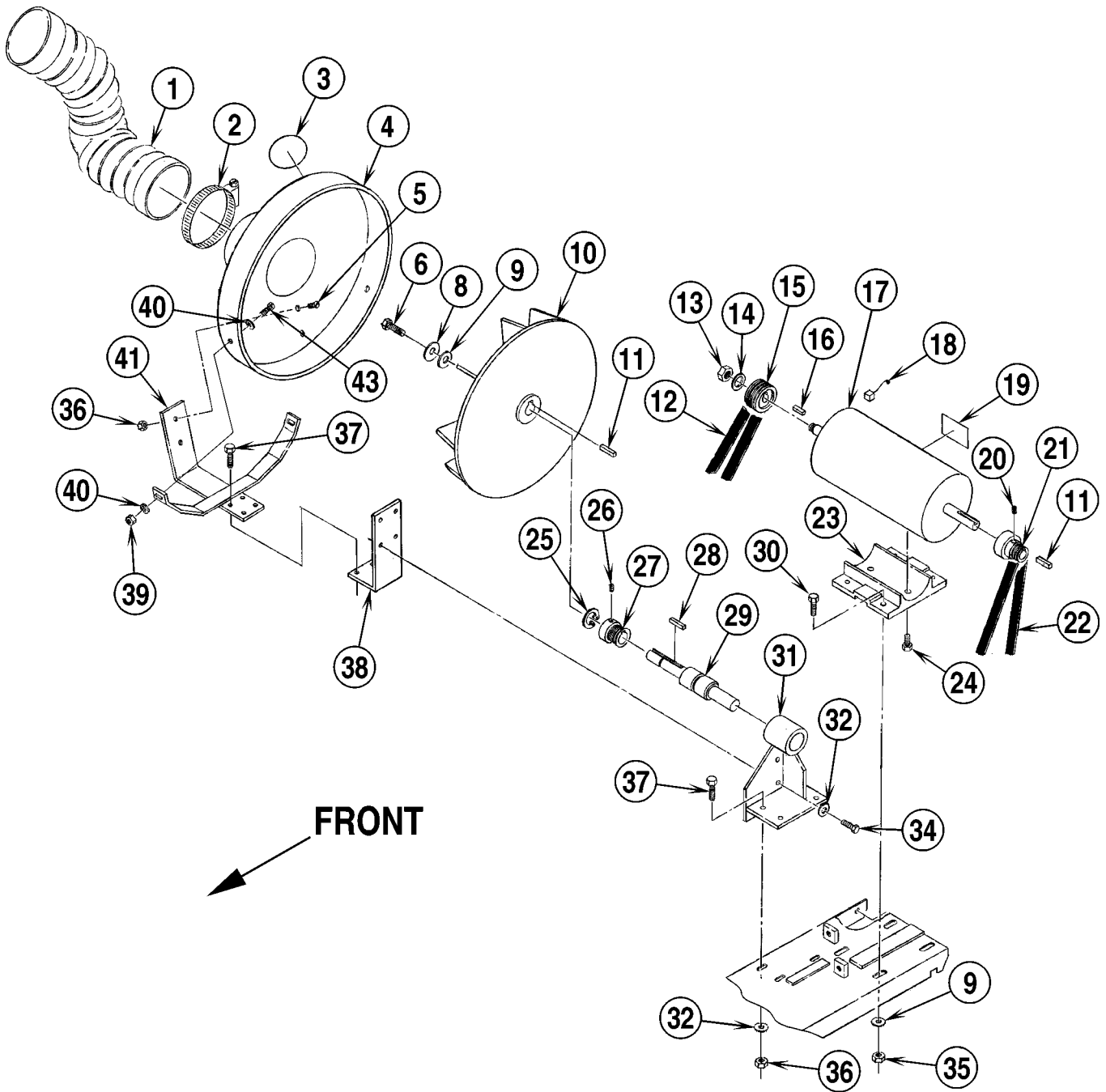
IMPELLER ASSEMBLY

96-3

10

Retriever™ 134B

01-7



96-3	IMPELLER ASSEMBLY			
02-7	Retriever™ 134B			11

Item	Ref. No.	Qty	Description
1	56469027	1	Flex Hose
2	56352829	2	Hose Clamp
3	56030080	1	Decal, Hands Clear
4	56467820	1	Shroud
5	56002784	2	Scr, Flt Phil 1/4-20 x .75
6	56002956	1	Scr, Hex Nyl Loc SS 5/16-18 x .75
7			Intentionally Omitted
8	56009122	1	Wsh, .343 x .83 x .12
9	56001939	5	Wsh, Flt SAE 5/16
10	56469347	1	Impeller
11	56367958	2	Square Key .18 x 1.12
12	56467264	1	Poly-V Belt
13	56002769	1	Nut, Hex Nyl Loc 3/18-16
14	56002063	1	Wsh, Flt SAE 3/8
15	56467372	1	Sheave
16	56003235	1	Square Key .12 x .44
17	56467055	1	Motor
18	56386263	1	Carbon Brush (Set)
19	56023318	1	Decal, Warning
20	56009084	2	Scr, Soc Set Loc #10-24 x .19
21	56467184	1	Sheave
22	56467269	1	Poly-V Belt
23	56467355	1	Motor Base
24	56003650	2	Scr, Hex Nyl Loc 5/16-24 x .50
25	56003259	1	Ring, Ret Ext SS
26	56002086	2	Scr, Soc Set Loc 5/16-18 x .25
27	56467548	1	Sheave
28	56158135	1	Square Key
29	56467550	1	Shaft & Bearing
30	56002037	4	Scr, Hex Hd 5/16-18 x .88
31	56467442	1	Bracket
32	56002098	7	Wsh, Flt SAE 1/4
33			Intentionally Omitted
34	56001854	4	Scr, Hex Hd 1/4-20 x .50
35	56002826	4	Nut, Hex Nyl Loc Thin 5/16-18
36	56002832	5	Nut, Hex Nyl Loc Thin 1/4-20
37	56002155	7	Scr, Hex Hd 1/4-20 x .75
38	56467297	1	Bracket
39	56002836	2	Nut, Hex Nyl Loc SS 10-24
40	56001954	4	Wsh, Flt SAE #10
41	56467300	1	Bracket
42			Intentionally Omitted
43	56002503	2	Scr, Pan 10-24 x .50

* = Not Shown

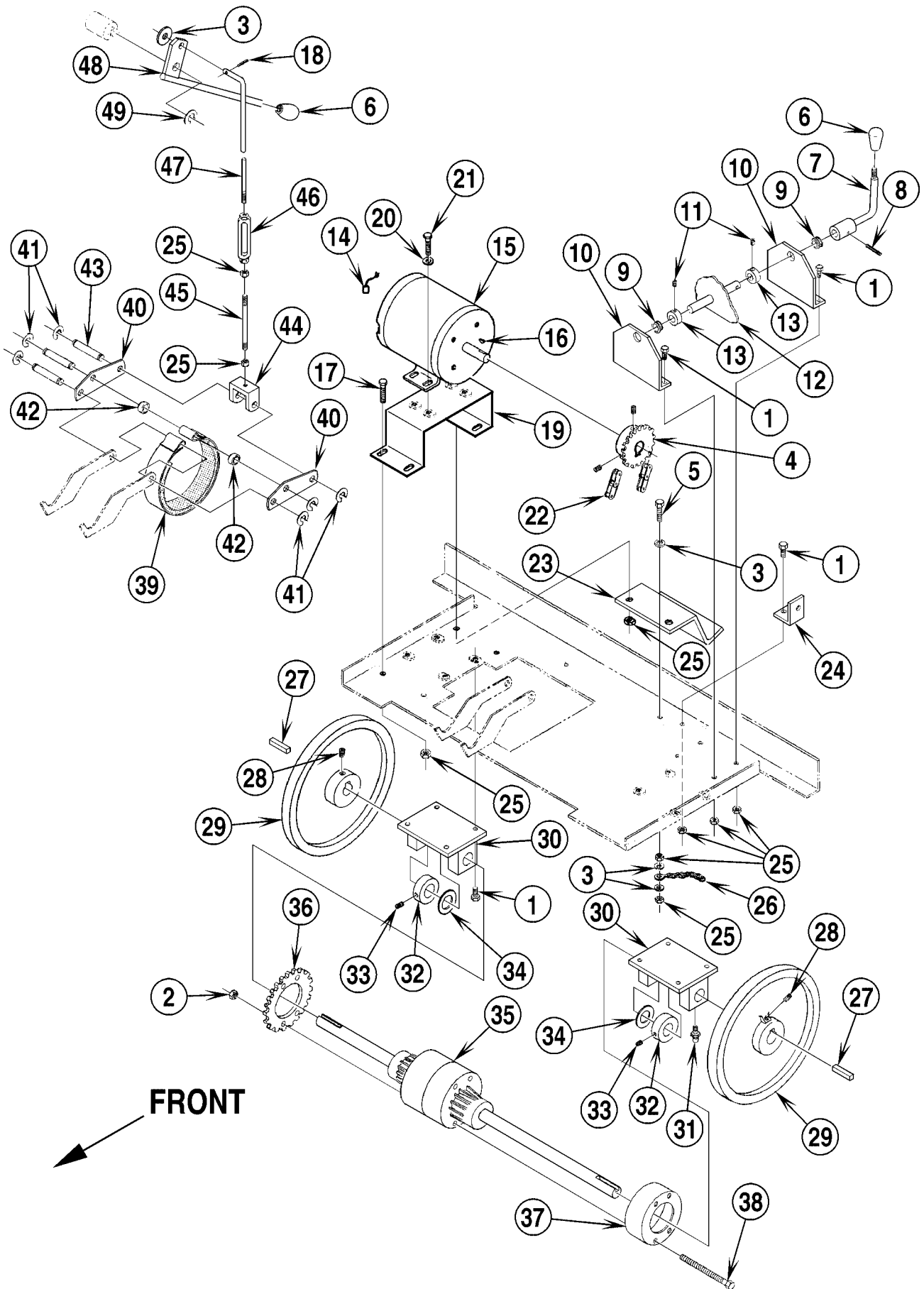
WHEEL DRIVE ASSEMBLY

96-3

12

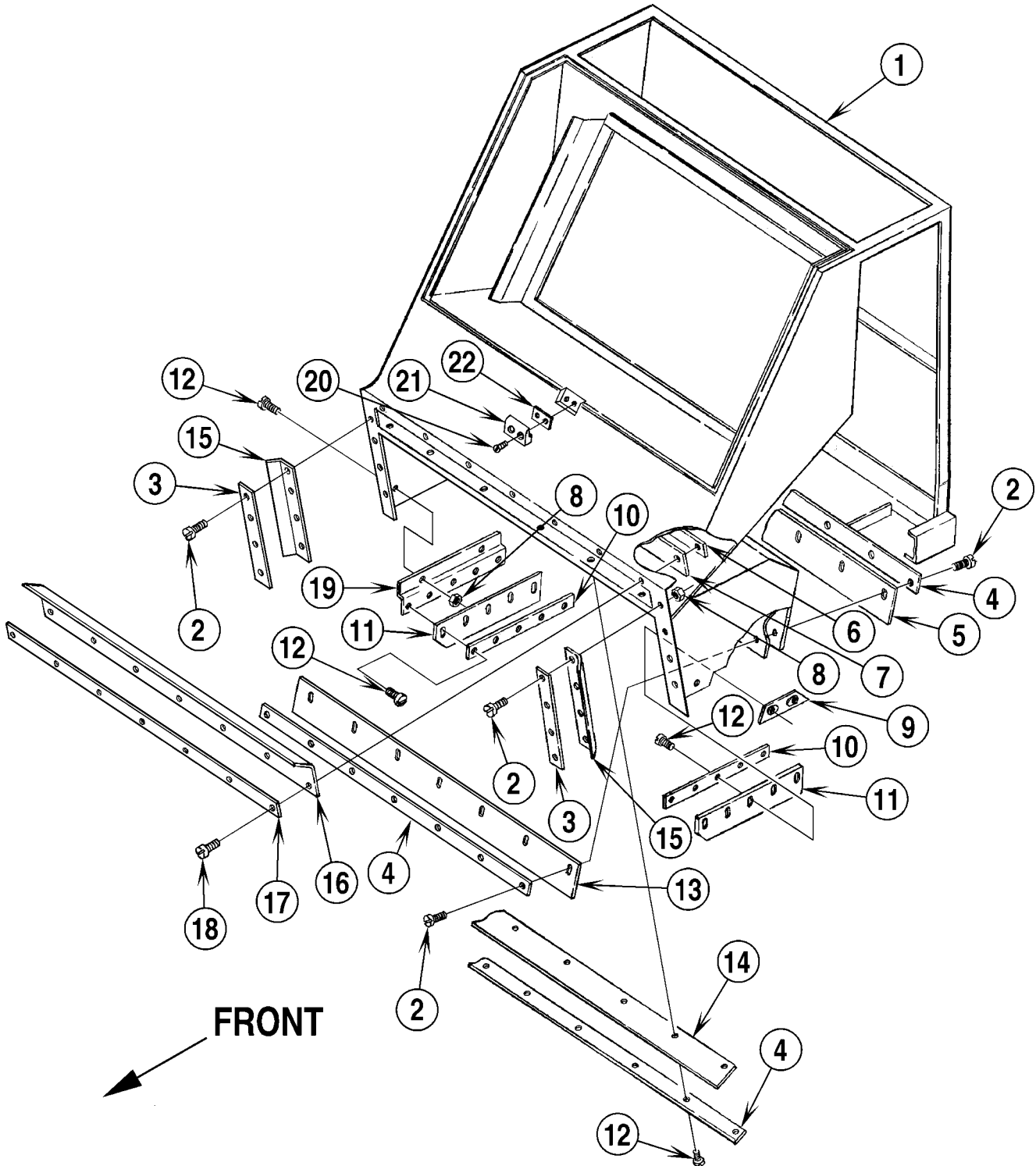
Retriever™ 134B

01-7



96-3	WHEEL DRIVE ASSEMBLY			
02-7	Retriever™ 134B			13

Item	Ref. No.	Qty	Description
1	56001854	15	Scr, Hex Hd 1/4-20 x .50
2	56002701	4	Nut, Hex Nyl Loc 5/16-18
3	56002098	4	Wsh, Flt SAE 1/4
4	56467017	1	Sprocket
5	56001821	3	Scr, Hex Hd 1/4-20 x .88
6	56364527	2	Knob
7	56467360	1	Handle
8	56001984	1	Pin, .12 x .75
9	56329098	2	Bushing
10	56467238	2	Bracket
11	56009084	2	Scr, Soc Set Loc #10-24 x .19
12	56467250	1	Cam
13	56331076	2	Collar
14	56503006	1	Motor Brushes (Set)
15	56263253	1	Motor
16	56467121	1	Woodruff Key
17	56002155	4	Scr, Hex Hd 1/4-20 x .75
18	56002946	1	Cotter Pin, .06 x 1.00
19	56467025	1	Mounting Plate
20	56001939	4	Wsh, Flt SAE 5/16
21	56002929	4	Scr, Hex Loc 5/16-18 x .62
22	56467027	1	Chain
23	56467506	1	Stop Bracket
24	56467418	1	Angle
25	56002708	15	Nut, Hex Nyl Loc 1/4-20
26	56467544	1	Chain
27	56003242	2	Square Key .18 x 1.87
28	56002985	4	Scr, Soc Set Loc SS 5/16-18 x .50
29	56467382	2	Wheel
30	56467218	2	Mounting Bracket
	56441406	4	Bearing Sleeve for 56467218
31	56101753	4	Lube Fitting
32	56367095	2	Collar
33	56002086	2	Scr, Soc Set Loc 5/16-18 x .25
34	56367184	2	Thrust Bearing
35	56467230	1	Differential
36	56467023	1	Sprocket
37	56469026	1	Brake Drum
38	56003486	4	Scr, Hex Thd to Hd SS 5/16-18 x 4.00
39	56402745	1	Brake Strap
40	56402990	2	Brake Arm
41	56003262	6	Retaining Ring
42	56328022	2	Spacer
43	56402995	3	Pin
44	56402971	1	Brake Handle Bracket
45	56481671	1	Stud
46	56206814	1	Turnbuckle
47	56467163	1	Brake Handle Rod
48	56467155	1	Brake Handle Rod
49	56003264	1	Retaining Ring



96-3	DUST SKIRTS		
01-7	Retriever™ 134B		15

Item	Ref. No.	Qty	Description
1	56467262	1	Frame
2	56002003	24	Scr, Pan Phil #8-32 x .50
3	56467329	2	Plate
4	56467334	3	Skirt Plate
5	56467317	1	Skirt
6	56467536	1	Plate
7	56467496	1	Skirt
8	56002877	8	Nut, Hex Nyl Loc SS #8-32
9	56467324	1	Nut Plate
10	56467326	2	Skirt Plate
11	56467306	2	Side Skirt
12	56001818	19	Scr, Pan Phil #8-32 x .38
13	56467319	1	Skirt
14	56467340	1	Skirt
15	56467333	2	Gasket
16	56467344	1	Top Gasket
17	56467342	1	Plate
18	56002146	7	Scr, Pan Phil #8-32 x .62
19	56467821	1	Bracket
20	56002396	2	Scr, Flt Phil #8-32 x .50
21	56467038	1	Striker
22	56467167	1	Shim

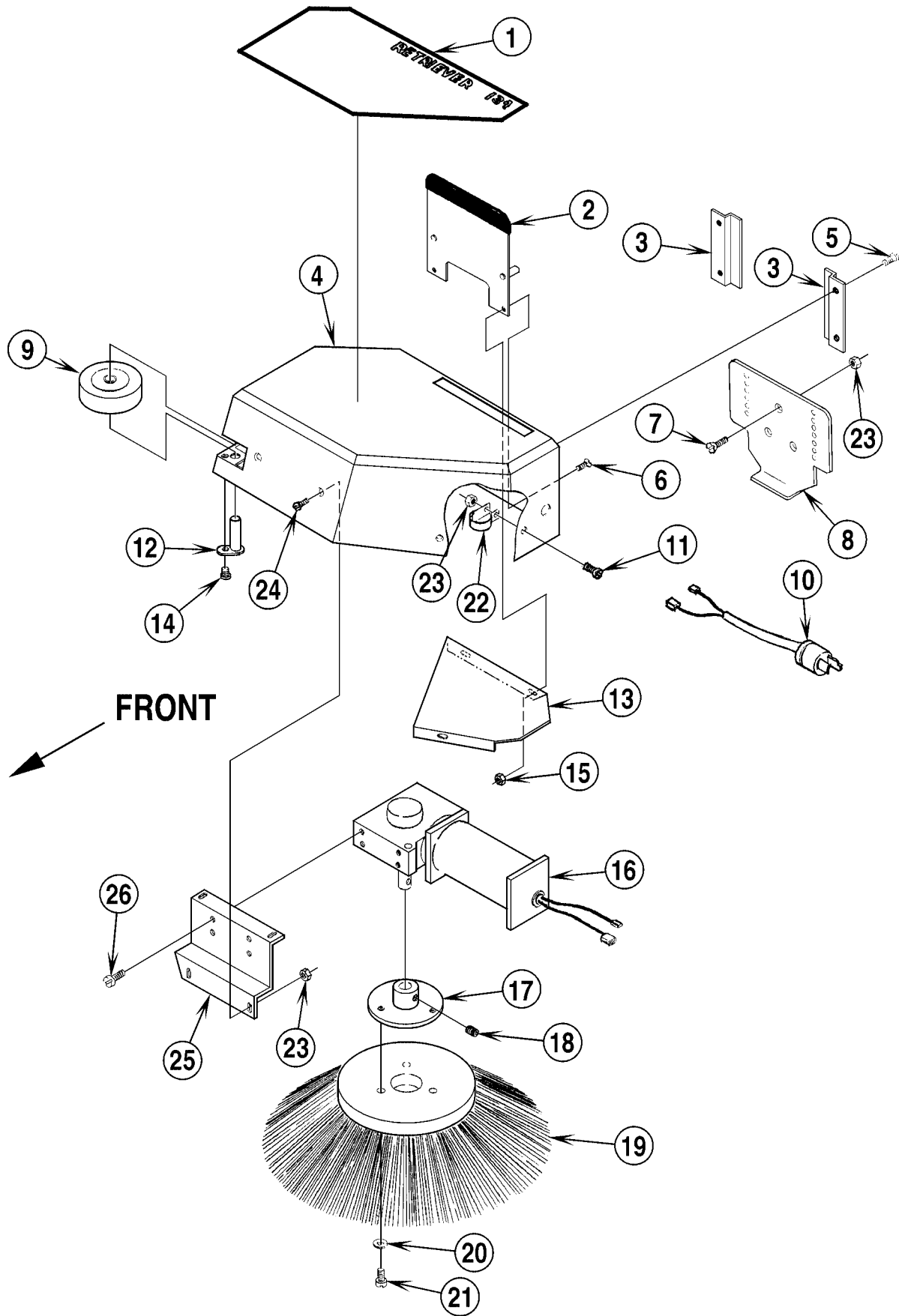
SIDE BROOM ASSEMBLY

96-3

16

Retriever™ 134B

01-7

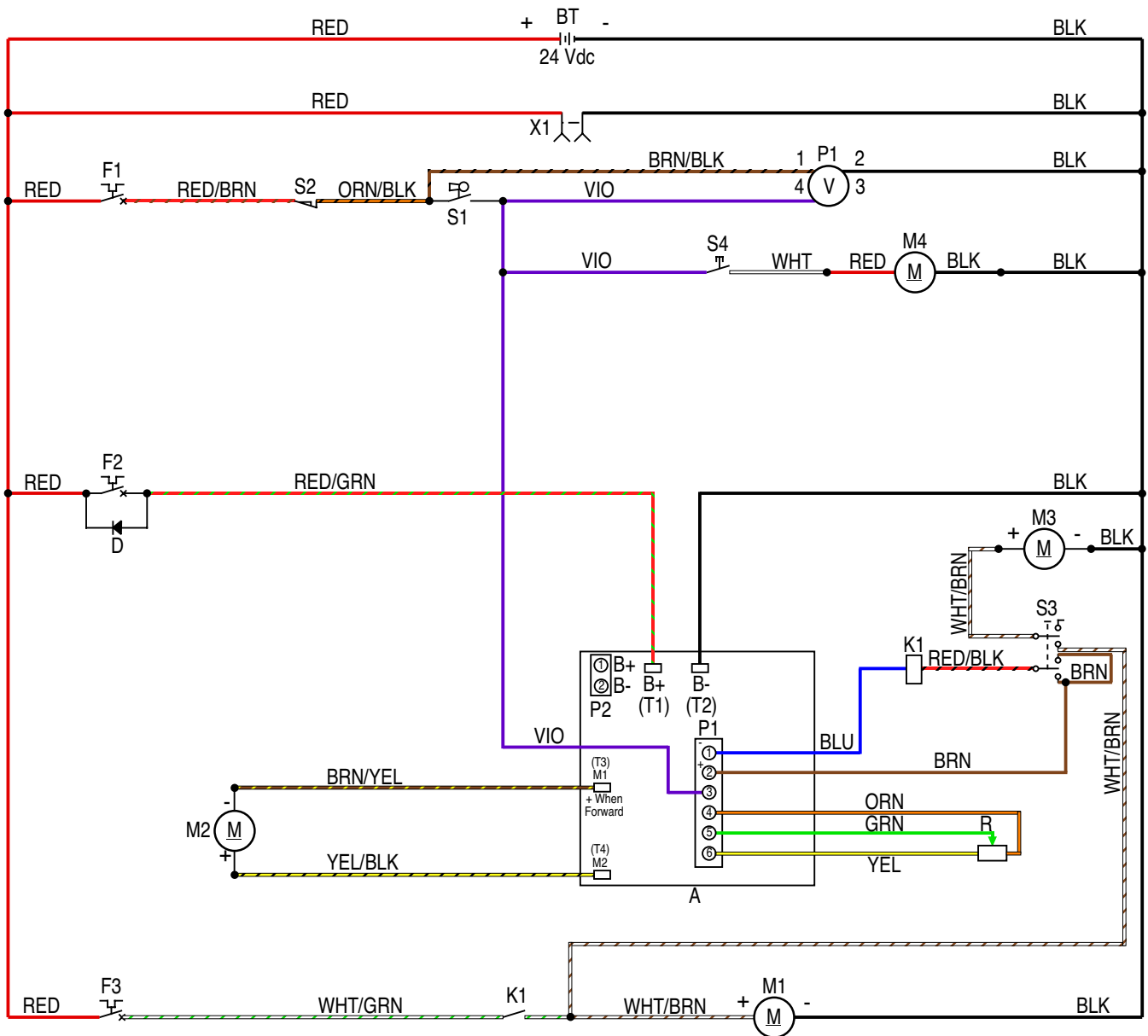


FRONT

96-3	SIDE BROOM ASSEMBLY		
01-7	Retriever™ 134B		17

Item	Ref. No.	Qty	Description
1	56014353	1	Decal, Retriever 134B
2	56465542	1	Side Broom Latch
3	56467827	2	Guide
4	56467826	1	Side Broom Housing
5	56009019	4	Scr, Hex Thd Form 1/4-20 x .38
6	56002396	3	Scr, Flt Phil 8-32 x .50
7	56001900	3	Scr, Flt Phil 10-24 x .75
8	56467828	1	Plate
9	56363855	1	Wheel
*	56322157	1	Bearing
10	56467532	1	Cord Assembly
11	56002124	1	Scr, Pan Phil 10-24 x .62
12	56465534	1	Pin
13	56467824	1	Shield Plate
14	56009051	1	Scr, Pan Phil Thd Form 8-32 x .38
15	56002808	3	Nut, Hex Nyl Loc 8-32
16	56469530	1	Motor Assembly
*	56471129	1	Carbon Brushes
17	56467522	1	Brush Holder
18	56001841	1	Scr, Soc Set Loc 1/4-20 x .25
19	56475179	1	Broom
20	56002098	3	Wsh, Flt SAE 1/4
21	56002066	3	Scr, Pan Phil 1/4-20 x .62
22	56300152	1	Cord Clamp
23	56002768	8	Nut, Hex Nyl Loc 10-24
24	56002178	4	Scr, Flt Hd 10-24 x .50
25	56467825	1	Motor Mount
26	56009069	4	Scr, Pan Phil Loc 1/4-20 x .50

* = Not Shown



96-3	WIRING DIAGRAM		
01-7	Retriever™ 134B		19

Item	Description	
A	56324023	Speed Controller
BT	NA	Batteries
D	56409228	Diode
F1	56387316	10Amp Circuit Breaker
F2	56395454	20Amp Circuit Breaker
F3	56395454	20Amp Circuit Breaker
K	56468358	Solenoid, Broom Motor
M1	56467055	Broom / Fan Motor
M2	56263253	Drive Motor
M3	56469530	Side Broom Motor
M4	56467307	Shaker Motor
P1	56372089	Battery Gauge
R	56454740	5K Ohm Potentiometer
S1	56441538	Main Switch
S2	56462362	Charger Interlock Switch
S3	56261245	Broom Switch
S4	56468175	Shaker Switch
X1	56324305	Charger Connector



Nilfisk-Advance, Inc.
14600 21st Avenue North
Plymouth, MN, 55447-3408
www.nilfisk-advance.com
Phone: 800-989-2235
Fax: 800-989-6566
©2000 Nilfisk-Advance, Inc.,
Plymouth, MN 55447-3408
Printed in the U.S.A.