



# Electronic Service Manuals

This electronic document is provided as a service to our customers. We do not create the contents of the information contained in this document. Should you have detailed questions pertaining to the information contained in this document, you may contact Michco, or the manufacturer which provided the original information in this electronic deliverable. Michco's only part in this electronic deliverable was the electronic assembly process.

You may contact Michco through the following methods:  
Phone (517) 484-9312 or (800) 331-3339 MI, OH, IN only  
2011 N. High St. -- Lansing, Michigan -- 48906  
Fax: (517) 484-9836  
Email: [CustServ@Michco.com](mailto:CustServ@Michco.com)  
Web site: [www.Michco.Com](http://www.Michco.Com)  
Parts Web site: [www.FloorMachineParts.Com](http://www.FloorMachineParts.Com)

Order Parts on Line at:  
**[www.FloorMachineParts.Com](http://www.FloorMachineParts.Com)**

Directly to Parts & Service:  
By Email: **[Shop@Michco.com](mailto:Shop@Michco.com)**  
By Fax: (517) 702-2041  
By Voice: Use numbers above.

**Serving the Cleaning Industry Since 1922**

Notice: All copyrighted material remains property of original owners, all trademarks are property of respective owners. Manuals are subject to Manufacturer's reproduction limitations. Originals or reproductions were provided by manufacturers through a request. We make no warranty as to the correctness of information provided in this document and you assume all risk.

# Minitriever™

---



## **PARTS LIST**

### **Advance MODEL 56475301(OBSOLETE)**

**This parts list is for all machines after serial number 304416**



**Nilfisk  
Advance**

*setting standards*

1/91 revised 2/01 FORM NO. 56042240

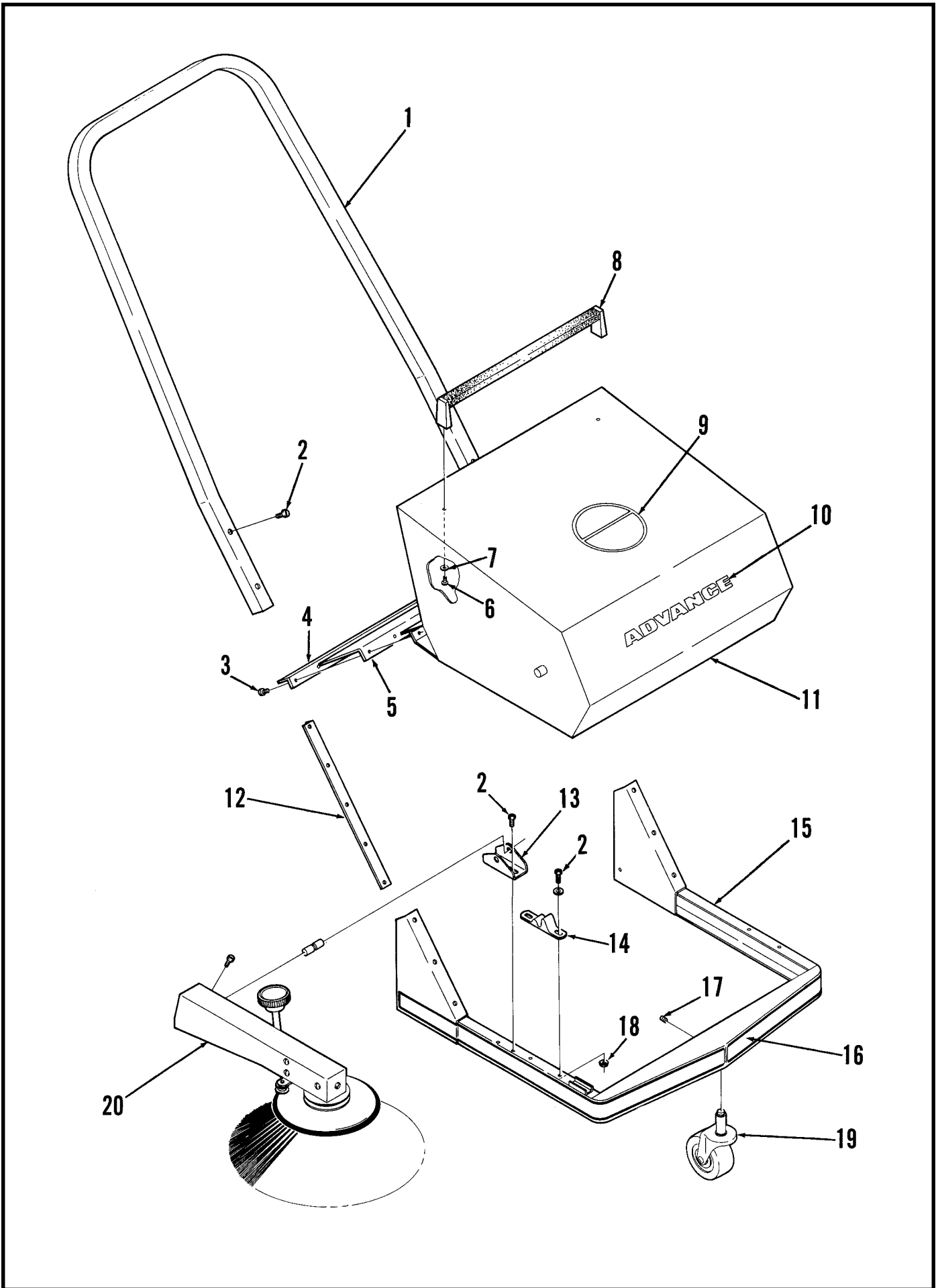
## TABLE OF CONTENTS

| <b>DESCRIPTION</b>   | <b>PAGE</b> |
|----------------------|-------------|
| Hopper & Frame ..... | 1-2         |
| Broom Housing .....  | 3-4         |
| Side Broom .....     | 5-6         |

### WHEN ORDERING PARTS

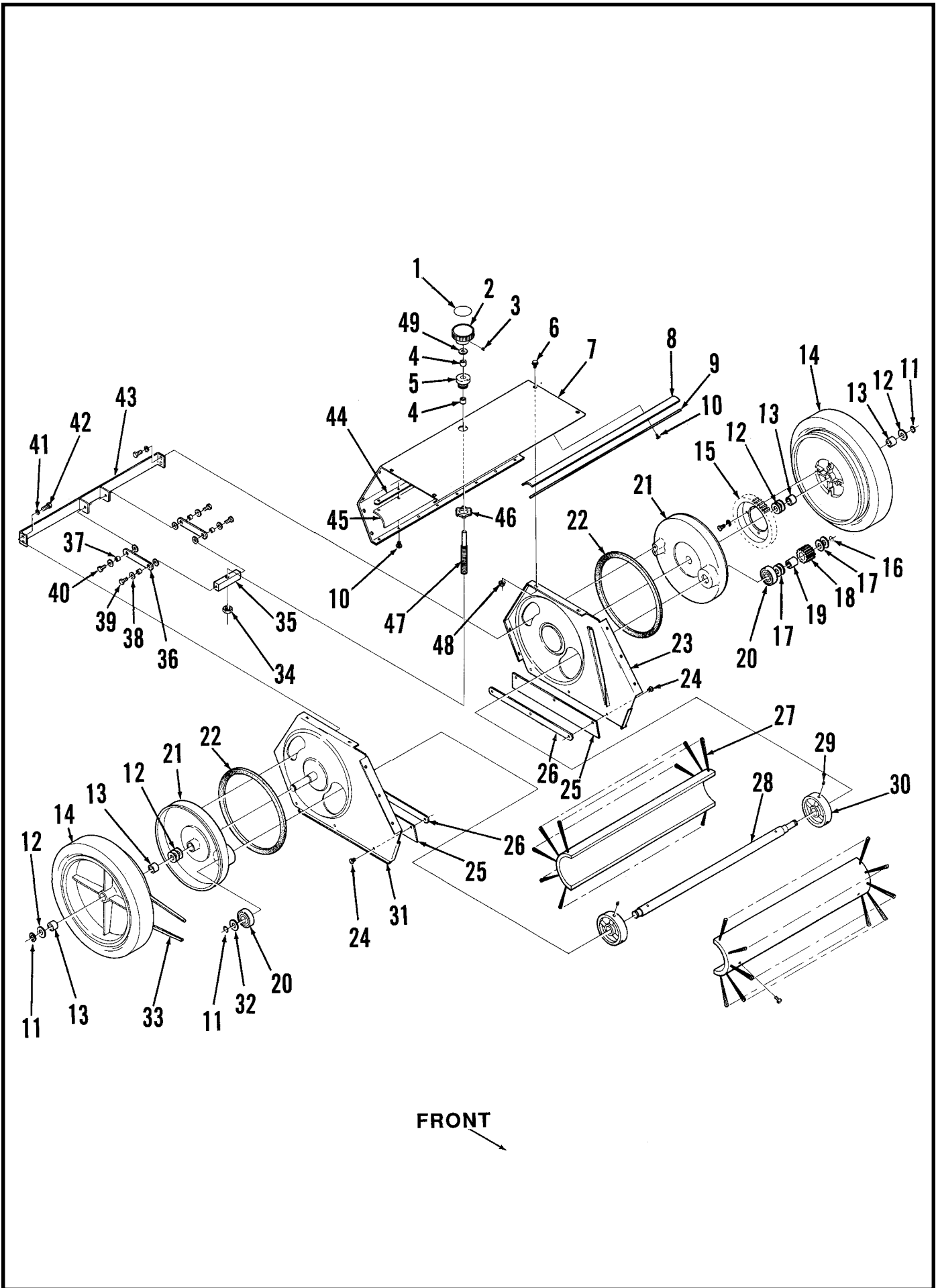
- \* Use the 6 digit numbers from the "Part No." columns in this parts list.
- \* Specify the model and serial number of the machine.
- \* Use the space below to record the model and serial number for future reference.

Model \_\_\_\_\_ Serial No. \_\_\_\_\_



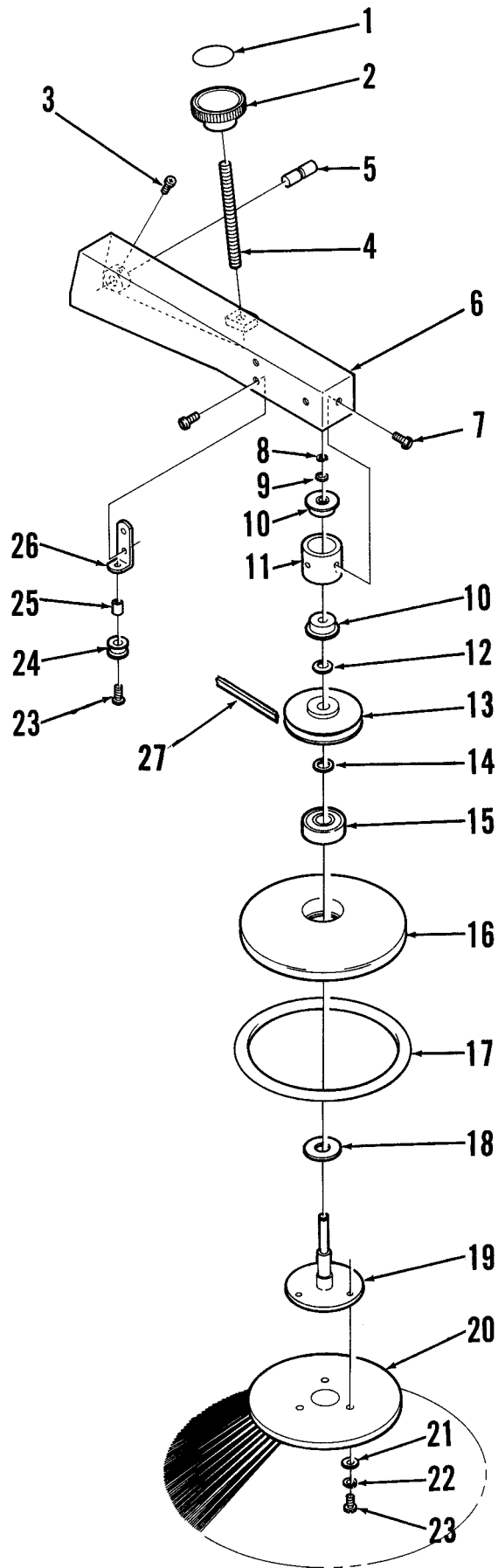
## HOPPER & FRAME

| Item | Part No. | Qty | Description             |
|------|----------|-----|-------------------------|
| 1    | 475303   | 1   | Handle                  |
| 2    |          | 16  | 1/4-20 x 1/2 Screw      |
|      | 475309   | 1   | Hopper Assembly (#3-11) |
| 3    |          | 8   | #8-32 x 3/8 Screw       |
| 4    | 475344   | 1   | Angle                   |
| 5    | 475334   | 1   | Skirt                   |
| 6    |          | 2   | #10-24 x 1/2 Screw      |
| 7    |          | 2   | #10 Washer              |
| 8    | 475341   | 1   | Handle                  |
| 9    | 041301   | 1   | Decal, Logo             |
| 10   | 014046   | 1   | Decal, Advance          |
| 11   | 475311   | 1   | Hopper                  |
| 12   | 475264   | 2   | Angle                   |
| 13   | 475258   | 1   | Bracket                 |
| 14   | 475305   | 2   | Guide                   |
| 15   | 475307   | 1   | Frame                   |
| 16   | 014347   | 2   | Decal, Stripe           |
| 17   |          | 1   | 1/4-20 x 1/2 Set Screw  |
| 18   |          | 4   | 1/4-20 Nut              |
| 19   | 475252   | 1   | Caster                  |
| 20   | 475312   | 1   | Side Broom Assembly     |



## BROOM HOUSING

| Item | Part No. | Qty | Description                      |
|------|----------|-----|----------------------------------|
| 1    | 024994   | 1   | Decal, Main Broom                |
| 2    | 475480   | 1   | Knob                             |
| 3    |          | 1   | #10-24 x 1/4 Set Screw           |
| 4    | 370754   | 2   | Bushing                          |
| 5    | 475476   | 1   | Pivot                            |
|      | 475474   | 1   | Pivot Assembly (#4-5)            |
| 6    |          | 12  | #10-24 x 1/2 Screw               |
| 7    | 475315   | 1   | Cover                            |
| 8    | 475468   | 1   | Skirt                            |
| 9    | 475470   | 1   | Plate                            |
| 10   |          | 16  | #8-32 x 3/8 Screw                |
| 11   | 158321   | 3   | Retaining Ring                   |
| 12   | 159530   | 10  | Thrust Washer                    |
| 13   | 367168   | 4   | Bearing Sleeve                   |
| 14   | 475321   | 2   | Wheel Assembly (includes #13)    |
| 15   | 475444   | 1   | Gear                             |
| 16   | 475498   | 1   | Retaining Ring                   |
| 17   | 166839   | 4   | Thrust Washer                    |
| 18   | 475466   | 1   | Gear                             |
| 19   | 475394   | 1   | Clutch                           |
| 20   | 372773   | 2   | Bearing                          |
| 21   | 475440   | 2   | Shroud                           |
| 22   | 320099   | 9'  | Gasket Material (2.75 M)         |
| 23   | 475446   | 1   | Left Panel                       |
| 24   |          | 6   | #8-32 x 1/4 Screw                |
| 25   | 475484   | 2   | Side Skirt                       |
| 26   | 475486   | 2   | Plate                            |
| 27   | 505611   | 1   | Main Broom , Nylon, (Standard)   |
|      | 505610   | 1   | Main Broom, Union Mix (optional) |
| 28   | 475464   | 1   | Shaft                            |
| 29   |          | 2   | 1/4-20 x 1/2 Set Screw           |
| 30   | 475462   | 2   | Broom Mounting Plate             |
| 31   | 475456   | 1   | Right Panel                      |
| 32   | 200115   | 1   | Washer                           |
| 33   | 475203   | 1   | Belt                             |
| 34   |          | 1   | 1/2-13 Nut                       |
| 35   | 475358   | 1   | Pivot Block                      |
| 36   | 475356   | 2   | Plate                            |
| 37   | 206784   | 4   | Bushing                          |
| 38   |          | 8   | 1/4 Flat Washer                  |
| 39   |          | 2   | 1/4-20 x 3/4 Screw               |
| 40   |          | 2   | 1/4-20 x 5/8 Screw               |
| 41   |          | 4   | 1/4 Lock Washer                  |
| 42   | 475472   | 4   | Screw                            |
| 43   | 475350   | 1   | Bracket                          |
| 44   | 475494   | 1   | Nut Plate                        |
| 45   | 475492   | 1   | Skirt                            |
| 46   | 171094   | 1   | Nut                              |
| 47   | 475478   | 1   | Rod                              |
| 48   |          | 12  | #10-24 Nut                       |
| 49   |          | 1   | 3/8 Flat Washer                  |



## SIDE BROOM

| Item | Part No. | Qty | Description                 |
|------|----------|-----|-----------------------------|
|      | 475312   | 1   | Side Broom Assembly (#1-27) |
| 1    | 024996   | 1   | Decal, Side Broom           |
| 2    | 475480   | 1   | Knob                        |
| 3    | 372929   | 1   | Screw                       |
| 4    | 475414   | 1   | Rod                         |
| 5    | 475418   | 1   | Pin                         |
| 6    | 475366   | 1   | Arm                         |
| 7    |          | 6   | 1/4-20 x 3/8 Screw          |
| 8    | 321427   | 1   | Retaining Ring              |
| 9    | 371009   | 1   | Washer                      |
| 10   | 475396   | 2   | Bearing                     |
| 11   | 475404   | 1   | Bearing Block               |
| 12   | 155381   | 1   | Washer                      |
| 13   | 475392   | 1   | Pulley                      |
| 14   | 166839   | 2   | Thrust Washer               |
| 15   | 372773   | 1   | Bearing                     |
| 16   | 475313   | 1   | Guard                       |
| 17   | 475384   | 1   | Bumper                      |
| 18   | 200115   | 3   | Washer                      |
| 19   | 475398   | 1   | Shaft                       |
| 20   | 475179   | 1   | Broom                       |
| 21   |          | 3   | 1/4 Washer                  |
| 22   |          | 3   | 1/4 Lock Washer             |
|      | 475406   | 1   | Idler Assembly (#23-26)     |
| 23   |          | 5   | 1/4-20 x 3/4 Screw          |
| 24   | 475408   | 1   | Idler                       |
| 25   | 475411   | 1   | Bushing                     |
| 26   | 475412   | 1   | Angle                       |
| 27   | 475203   | 1   | Belt                        |