



Electronic Service Manuals

This electronic document is provided as a service to our customers. We do not create the contents of the information contained in this document. Should you have detailed questions pertaining to the information contained in this document, you may contact Michco, or the manufacturer which provided the original information in this electronic deliverable. Michco's only part in this electronic deliverable was the electronic assembly process.

You may contact Michco through the following methods:
Phone (517) 484-9312 or (800) 331-3339 MI, OH, IN only
2011 N. High St. -- Lansing, Michigan -- 48906
Fax: (517) 484-9836
Email: CustServ@Michco.com
Web site: www.Michco.Com
Parts Web site: www.FloorMachineParts.Com

Order Parts on Line at:
www.FloorMachineParts.Com

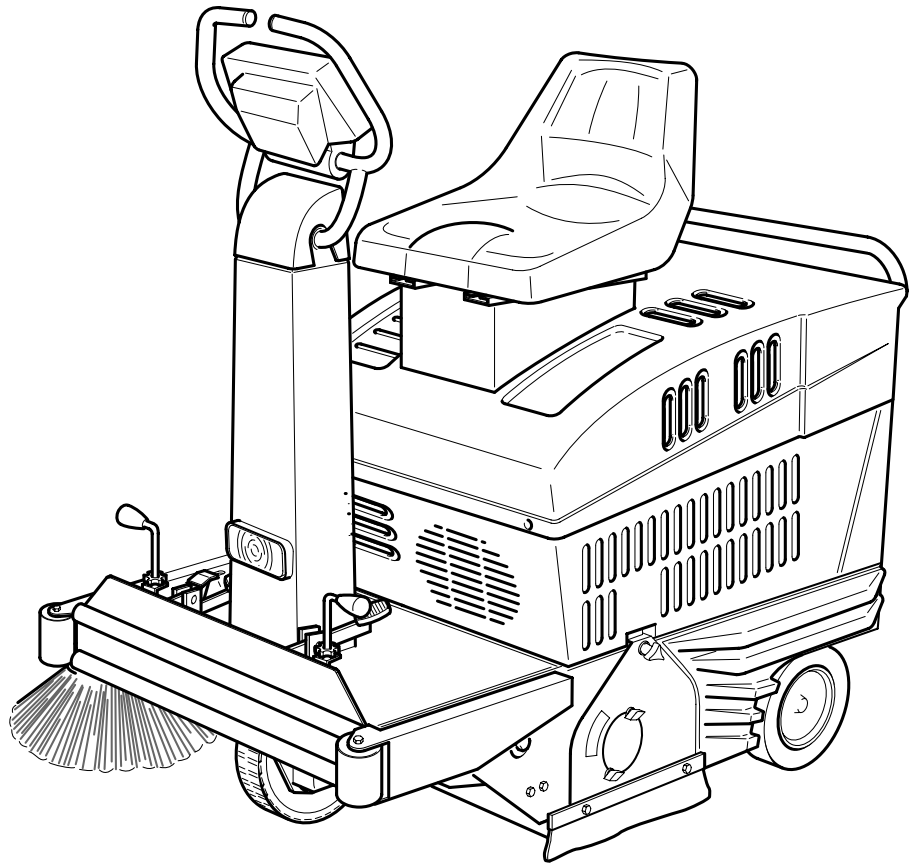
Directly to Parts & Service:
By Email: **Shop@Michco.com**
By Fax: (517) 702-2041
By Voice: Use numbers above.

Serving the Cleaning Industry Since 1922

Notice: All copyrighted material remains property of original owners, all trademarks are property of respective owners. Manuals are subject to Manufacturer's reproduction limitations. Originals or reproductions were provided by manufacturers through a request. We make no warranty as to the correctness of information provided in this document and you assume all risk.

SR1005B

Advance MODEL 908 3509 010



Parts list
Ersatzteilliste
Liste des piéces détachées
Lista parti di ricambio



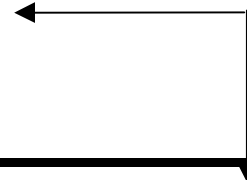
Nilfisk
Advance
setting standards

FORM No.56042412(3)2001-06



TAV A / DRAW. A/ VUE A/ ZEICHN.A: FRAME ASSEMBLY	1-4
TAV B / DRAW. B/ VUE B/ ZEICHN.B: FILTER ASSEMBLY	5-6
TAV C / DRAW. C/ VUE C/ ZEICHN.C: HOPPER	7-8
TAV D / DRAW. D/ VUE D/ ZEICHN.D: SKIRT ASSEMBLIES	9-10
TAV E / DRAW. E/ VUE E/ ZEICHN.E: MAIN BROOM ASSEMBLY	11-12
TAV F / DRAW. F/ VUE F/ ZEICHN.F: SIDE BROOM ASSEMBLY	13-14
TAV G / DRAW. G/ VUE G/ ZEICHN.G: DRIVE SYSTEM	15-16
TAV H / DRAW. H/ VUE H/ ZEICHN.H: FAN SYSTEM	17-18
TAV I / DRAW. I/ VUE I/ ZEICHN.I: ELECTRICAL SYSTEM	19-20
TAV J / DRAW. J/ VUE J/ ZEICHN.J: STEERING SYSTEM	21-22
TAV K / DRAW. K/ VUE K/ ZEICHN. K : MAIN ACCESSORIES	23-25
LIST OF RECOMMENDED SPARE PARTS	26

VERSIONE A BATTERIA
BATTERY VERSION
VERSION A BATTERIE
BATTERIE MODELL



POSIZ ITEM POS EINSAT	CODICE CODE CODE NUMMER	INTERNO INTERNAL INTERIEUR INTERNE	DESCRIZIONE DESCRIPTION DESCRIPTION BEZEICHNUNG	B
1	145 5650 000		TELAIO / FRAME / CHASSIS / RAHMEN	1
2	145 5667 000		SUPPORTO PORTELLI LATERALI / SUPPORT / SUPPORT / HALTER	2
3	#145 5668 000		PORTELLO DESTRO / RIGHT HATCH / REGARD DR. / REC. Klappe	1
4	145 5669 000		PORTELLO SINISTRO / LEFT HATCH / REGARD GAU. / LIN. Klappe	1

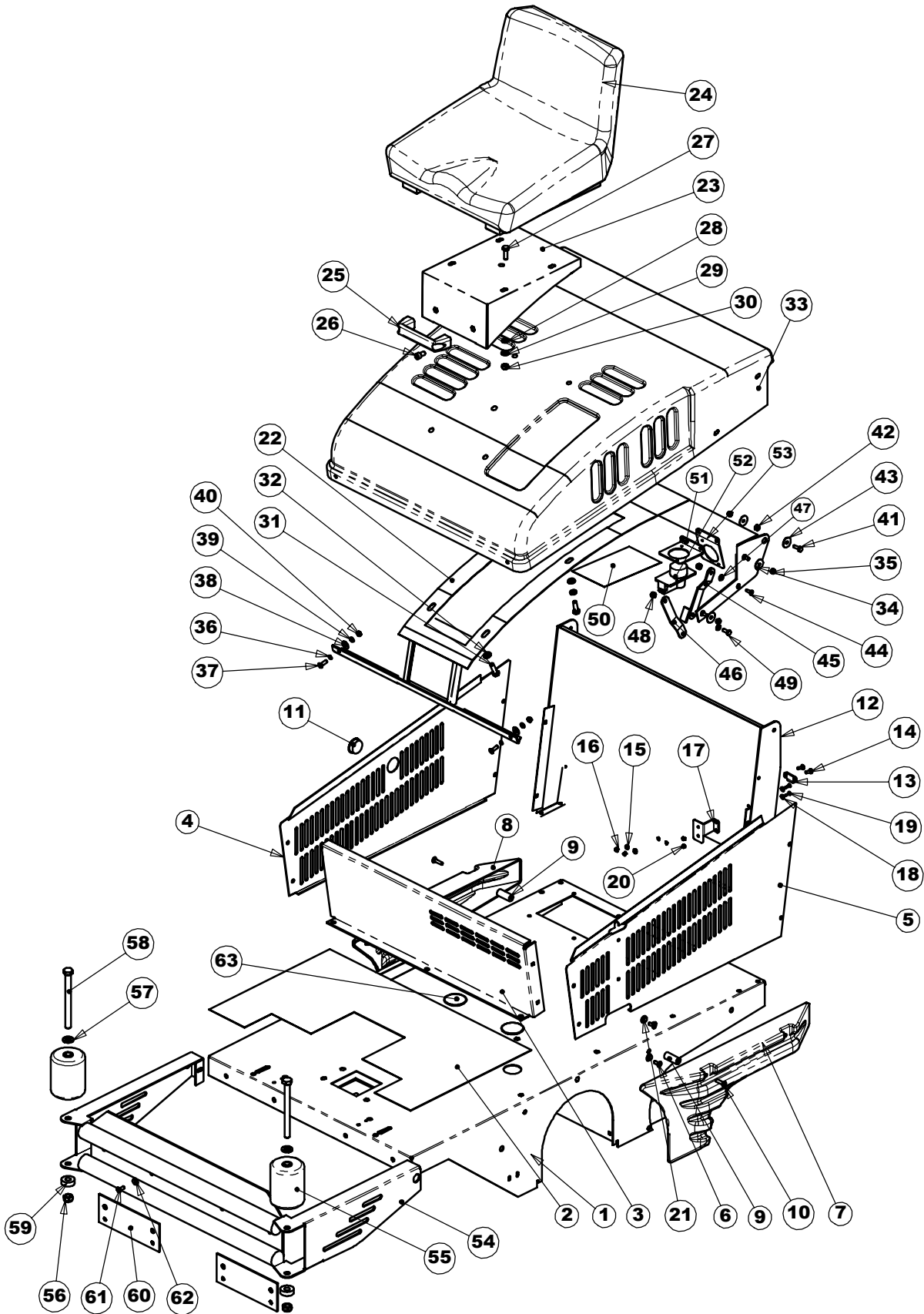
↙ New item number

WHEN ORDERING PARTS

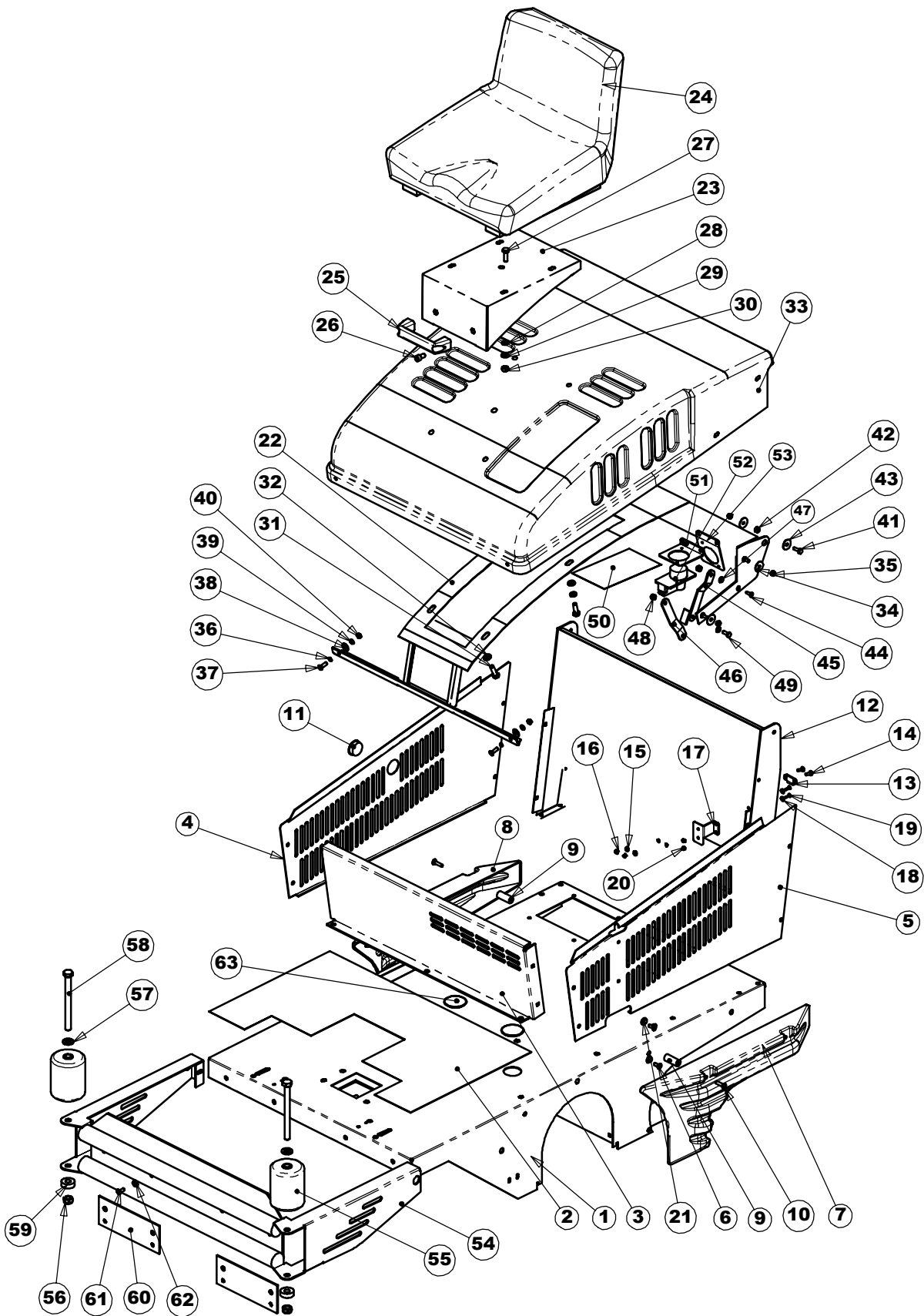
Specify the model and the serial number of the machine

Use the space below to record the model and serial number for future reference

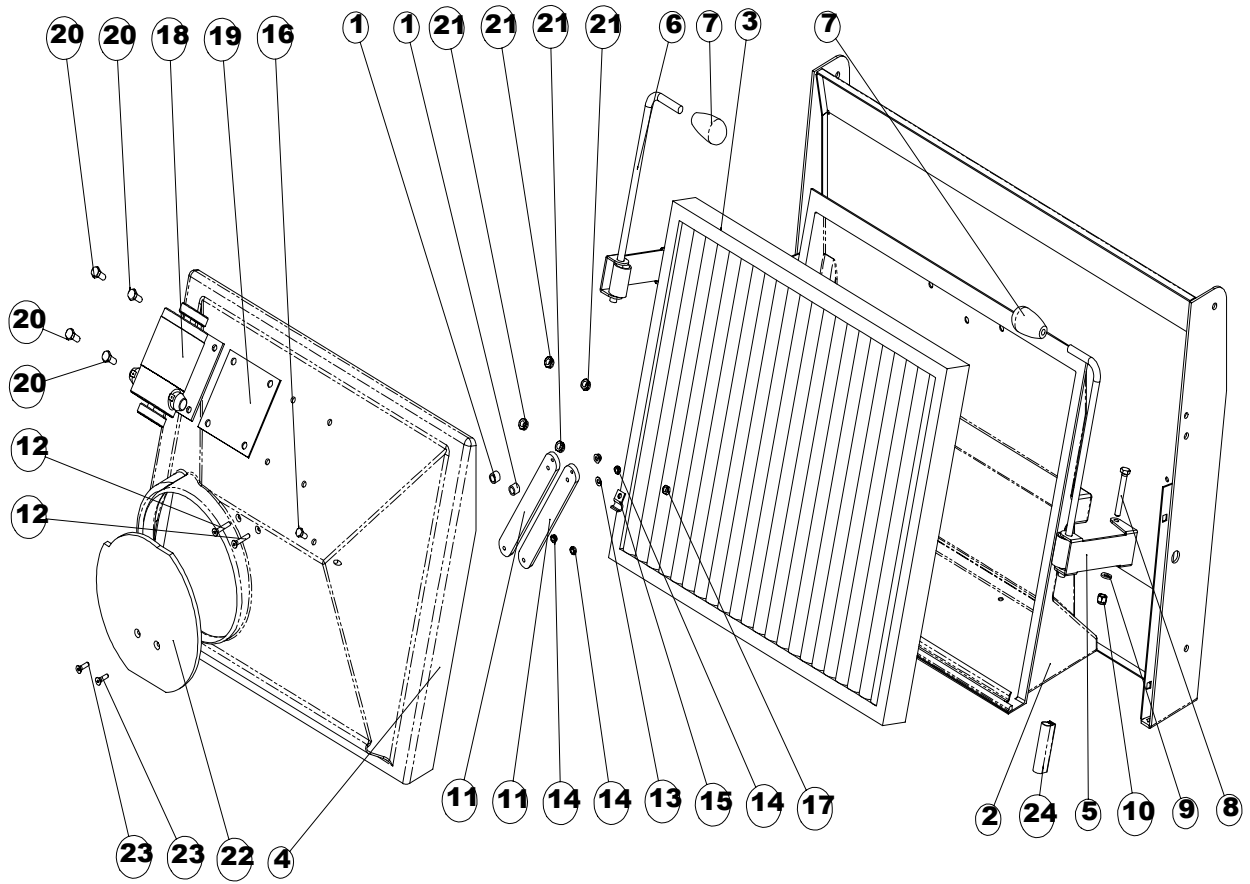
Model _____ Serial Number _____



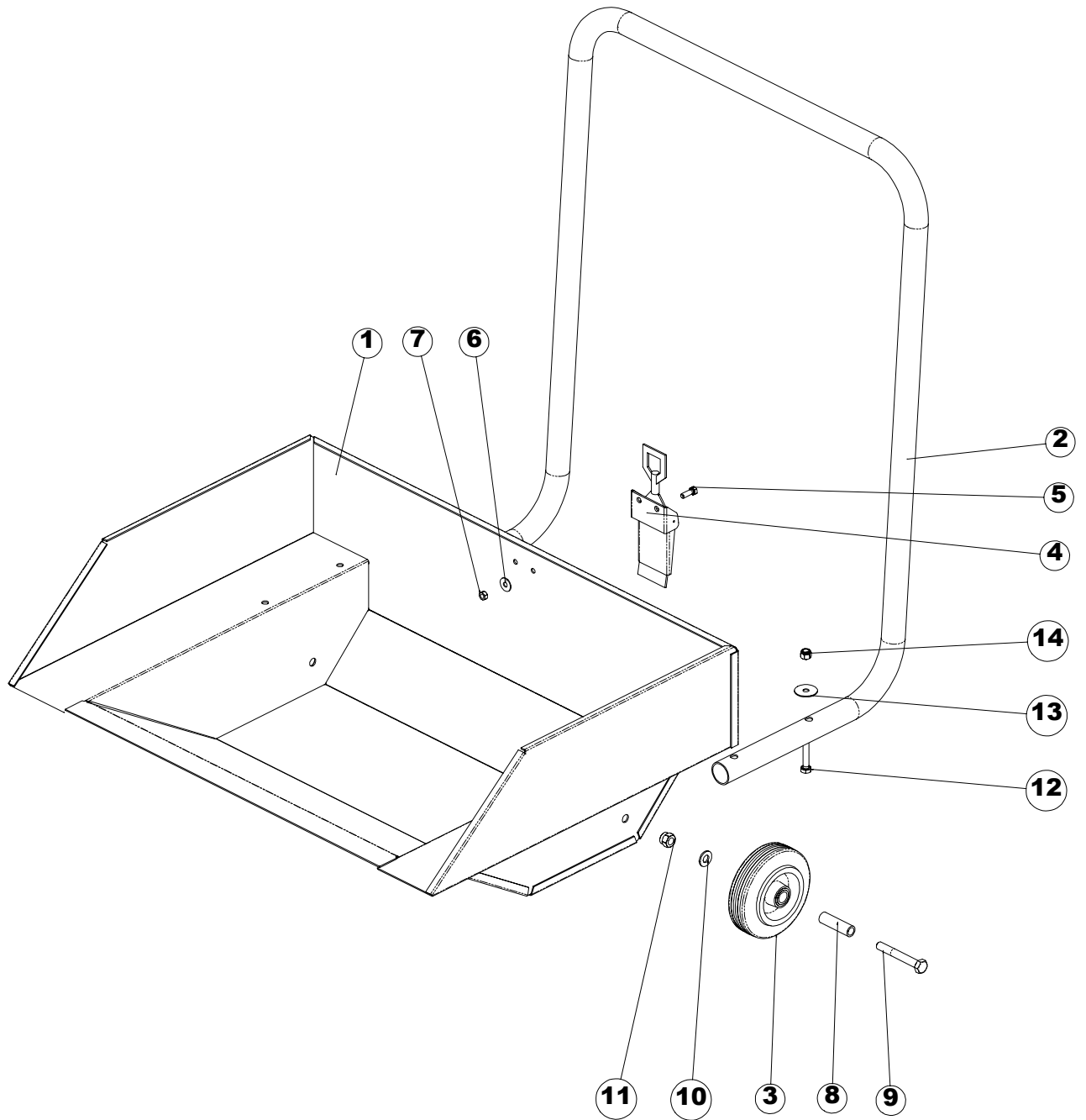
POSIZ ITEM POS EINSAT	CODICE CODE CODE NUMMER	INTERNO INTERNAL INTERIEUR INTERNE	DESCRIZIONE DESCRIPTION DESCRIPTION BEZEICHNUNG	B
1	146 0185 000		TELAIO/ FRAME/ CHASSIS/ RAHMEN	1
2	145 1254 000	H02.34670	TAPPETINO/ MAT BOARD/ TAPIS/ TEPPICH	1
3	146 0200 000		CARENATURA INFERIORE/ LOWER COVER/ BATI INFERIEUR/ VERKLEIDUNG	1
4	146 0201 000		CARENATURA LAT. DX/ RIGHT COVER/ BATI DROITE/ RECHTE VERKLEIDUNG	1
5	146 0202 000		CARENATURA LAT.SX/ LEFT COVER/ BATI GAUCHE/ LINKE VERKLEIDUNG	1
6	145 4488 000	V03.004	VITE TSPEI M 65X16/ SCREW/ VIS/ SCHRAUBE	8
7	145 4069 000	H01.26250	COPRIRUOTA LAT. SX/ LEFT WHEEL COVER/ ROUE COUVRE GAUCHE/ LINKE RADDECKUNG	1
8	145 1242 000	H01.26240	COPRIRUOTA LAT. DX/ RIGHT WHEEL COVER/ ROUE COUVRE DROITE/ RECHTE RADDECKUNG	1
9	145 5031 000		DISTANZIALE 6X15X37/ SPACER/ ENTRETOISE/ ABSTANDSTUECK	2
10	145 0568 000	V03.04410	VITE TSPEI 6X25 INOX/ SCREW/ VIS/ SCHRAUBE	4
11	145 9835 000	L02.05500	TAPPO A SCATTO D.35/ CAP/ BOUCHON/ PFROPFEN	1
12	146 0186 000		CARENATURA POSTERIORE/ REAR COVER/ BATI ARRIERE/ HINTERE VERKLEIDUNG	1
13	145 9148 000	F02.414	PIASTRINA/ PLATE/ PLAQUE/ LASCHE	1
14	145 5065 000	V03.019	VITE TSPEI M 5X16/ SCREW/ VIS/ SCHRAUBE	2
15	145 9133 000	V09.003	RONDELLA PIANA 5X10/ WASHER/ RONDELLE/ BEILAGSCHEIBE	2
16	145 9134 000	V13.003	DADO E M 5/ NUT/ ECROU/ MUTTER	2
17	146 0296 000		STAFFA/ BRACKET/ SUPPORT/ BUEGEL	1
18	145 4514 000	V11.03200	RONDELLA SVASATA 4X10/ WASHER/ RONDELLE/ BEILAGSCHEIBE	2
19	145 8959 000	V03.03303	VITE TSPEI M 4X12/ SCREW/ VIS/ SCHRAUBE	2
20	145 9125 000	V13.06100	DADO AUTOBLOCCANTE M4/ SELF LOCKING NUT/ ECROU/ MUTTER	2
21	145 1129 000	V11.02330	RONDELLA SVASATA 6X16/ WASHER/ RONDELLE/ BEILAGSCHEIBE	3
22	146 0203 000		SUPPORTO COFANO/ BONNET HOLDER/ CAPOTAGE SUPPORT/ MOTORHAUBE HALTER	1
23	145 1260 000	F00.66370	SUPPORTO SEDILE/ SEAT SUPPORT/ SIEGE SUPPORT/ SITZ SUPPORT	1
24	145 1782 000		SEDILE CON MICRO/ SEAT W. MICROSWITCH/ SIEGE AVEC INTERUPTEUR/ SITZ MIT MICROSCHALTER	1
25	145 9752 000	L02.08200	MANIGLIA/ HANDLE/ POIGNEE/ HANDGRIFF	1
26	145 9759 000	V01.015	VITE TCEI M 8X16/ SCREW/ VIS/ SCHRAUBE	2
27	145 9116 000	V02.014	VITE TE M 8X25/ SCREW/ VIS/ SCHRAUBE	4
28	145 4512 000	V11.005	RONDELLA SP.8/ WASHER/ RONDELLE/ BEILAGSCHEIBE	4
29	145 9120 000	V09.005	RONDELLA P.8X17/ WASHER/ RONDELLE/ BEILAGSCHEIBE	4
30	145 9123 000	V13.005	DADO E M 8/ NUT/ ECROU/ MUTTER	8
31	145 9281 000	V02.015	VITE TE 8X30/ SCREW/ VIS/ SCHRAUBE	4
32	145 9126 000	V19.005	RONDELLA DENT.A D18/ WASHER/ RONDELLE/ BEILAGSCHEIBE	4
33	146 0210 000		COFANO RAL 7001/ BONNET RAL 7001/ CAPOTAGE RAL 7001/ MOTORHAUBE RAL 7001	4
34	145 9129 000	V09.012	RONDELLA PIANA 6X18/ WASHER/ RONDELLE/ BEILAGSCHEIBE	6
35	145 0407 000	V13.05900	DADO AUTOBLOCCANTE BASSO M6/ SELFLOCKING NUT/ ECROU/ MUTTER	6
36	145 4514 000	V11.03200	RONDELLA SVASATA 4X10/ WASHER/ RONDELLE/ BEILAGSCHEIBE	2
37	145 1259 000	V03.020	VITE TSPEI M 6X20/ SCREW/ VIS/ SCHRAUBE	2
38	145 9229 000	V09.022	RONDELLA P.6X18/ WASHER/ RONDELLE/ BEILAGSCHEIBE	2
39	145 9233 000	V11.004	RONDELLA SP.D6/ WASHER/ RONDELLE/ BEILAGSCHEIBE	2
40	145 9154 000	V13.004	DADO M6/ NUT/ ECROU/ MUTTER	2
41	145 9227 000	V02.004	VITE TE 6X20/ SCREW/ VIS/ SCHRAUBE	2
42	145 2661 000	E05.11100	DISTANZIALE/ SPACER/ ENTRETOISE/ ABSTANDSTUECK	2
43	145 9129 000	V09.012	RONDELLA PIANA / WASHER/ RONDELLE/ BEILAGSCHEIBE	4
44	145 9261 000	V02.003	VITE TSPEI M5X16/ SCREW/ VIS/ SCHRAUBE	1
45	146 0204 000		ASTA SOSTEGNO COFANO/ BONNET SUPPORTING ROD/ BRIDE SUPPORT/ MOTORHAUBE SUPPORT	1
46	146 0205 000		ASTA SOSTEGNO COFANO/ BONNET SUPPORTING ROD/ BRIDE SUPPORT / MOTORHAUBE SUPPORT	1
47	145 9128 000	V09.004	RONDELLA P6X12/ WASHER/ RONDELLE/ BEILAGSCHEIBE	4
48	145 9132 000	V13.019	DADO AUTOBLOCCANTE M6/ SELFLOCKING NUT/ ECROU/ MUTTER	2
49	145 9261 000	V02.003	VITE TE M6X16/ SCREW/ VIS/ SCHRAUBE	1
50	145 6058 000		ADESIVO PER BATTERIE/ BATTERY DECAL/ ADHESIF / BATTERIE KLEBER	1



POSIZ ITEM POS EINSAT	CODICE CODE CODE NUMMER	INTERNO INTERNAL INTERIEUR INTERNE	DESCRIZIONE DESCRIPTION DESCRIPTION BEZEICHNUNG	B
51	146 0294 000		STAFFA PER MICRO/ MICROSWITCH HOLDER/ MICROINT. SUPPORT/ MICROSC.HALTER	1
52	145 4820 000		MICROINTERRUPTORE/ MICROSWITCH/ MICROINTERUPTEUR/ MICROSCHALTER	1
53	146 0293 000		STAFFA PER MICRO/ MICROSWITCH HOLDER/ SUPPORT/ MICROSCHALTER HALTER	1
54	145 5770 000		PARAURTI/ BUMPER/ PARACHOCS/ STOSSDAMPFER	1
55	145 6032 000		RULLO PARACOLPI/ ROLLER BUMPER/ROULEAU PARACHOCS/ STOSSDAMPFER ROLLE	2
56	145 9167 000	V13.022	DADO AUTOBLOCCANTE/ SELFLOCKING NUT/ ECROU/ MUTTER	2
57	145 9165 000	V09.007	RONDELLA PIANA D.12X24/ WASHER/ RONDELLE/ BEILAGSCHEIBE	2
58	145 6008 000		VITE TE M12X140/ SCREW/ VIS/ SCHRAUBE	2
59	145 6036 000		DISTANZIALE 12.5X30X10/ SPACER/ ENTRETOISE/ ABSTANDSTUECK	2
60	145 5811 000		STAFFA/ BRACKET/ SUPPORT/ SUPPORT / BUEGEL	2
61	145 4488 000	V03.004	VITE TSPEI M6X16/ SCREW/ VIS/ SCHRAUBE	8
62	145 1129 000	V11.02330	RONDELLA SVASATA M6X16/ WASHER/ RONDELLE/ BEILAGSCHEIBE	6
63	146 0392 000		TAPPO BIANCO TRASPARENTE / WHITE TRANSPARENT CAP/ BOUCHON/ PFROPFEN (Replace 145 2124 000 completely interchangeable)	2

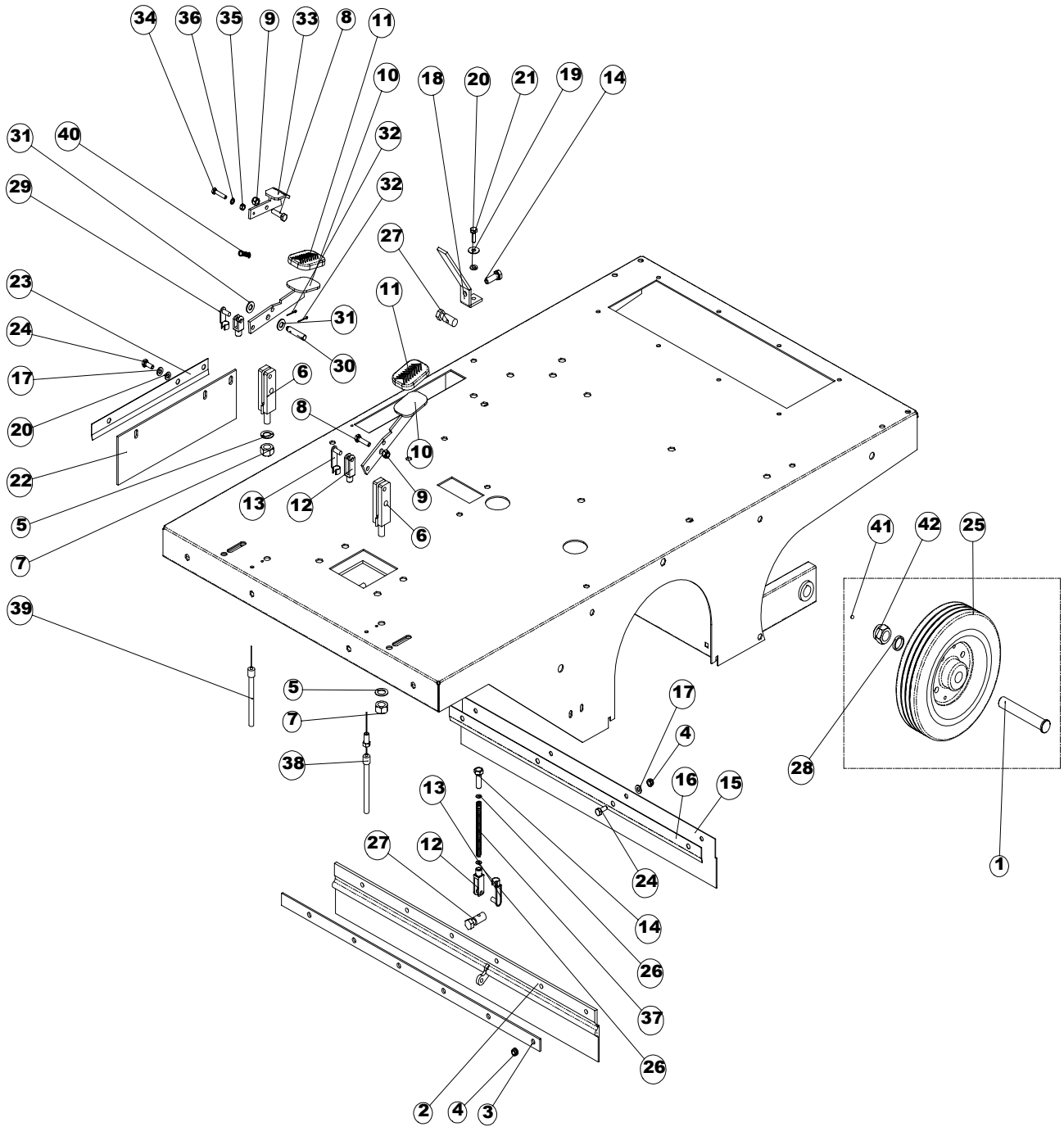


POSIZ ITEM POS EINSAT	CODICE CODE CODE NUMMER	INTERNO INTERNAL INTERIEUR INTERNE	DESCRIZIONE DESCRIPTION DESCRIPTION BEZEICHNUNG	B
1	08601854		DISTANZIALE/ SPACER/ ENTRETOISE / SCHEIBE	2
2	145 4644 000		PORTAFILTRO/ FILTER HOLDER/ FILTER SUPPORT / FILTER HALTER	1
3	146 0188 000		FILTRO IN CARTA/ PAPER FILTER/ FILTER / FILTER	1
4	146 0187 000		COPERCHIO/ COVER / COUVERCLE / DECKEL	1
5	146 0190 000		LEVA SX / LEFT LEVER / LEVIER GAUCHE / LINKER HEBEL	1
6	146 0189 000		LEVA DX / RIGHT LEVER / LEVIER DROIT/ RECHTER HEBEL	1
7	145 9319 000	L03.02400	MANOPOLA/ KNOB / POIGNEE / DREHKNOPF	2
8	145 0349 000	V02.008	VITE TE M 6X45/ SCREW / VIS / SCHRAUBE	2
9	145 9128 000	V09.004	RONDELLA P.6X12 / WASHER/ RONDELLE/ BEILAGSCHEIBE	2
10	145 9132 000	V13.019	DADO AUTOBLOCCANTE M6/ NUT/ ECROU/ MUTTER	2
11	146 0191 000		LEVA COMANDO ASPIRAZIONE/ DUST CONTROL LEVER/ LEVRIER/ HEBEL	2
12	145 1247 000	V03.05202	VITE TSPEI M 4X25/ SCREW/ VIS/ SCHRAUBE	2
13	145 9144 000	V09.002	RONDELLA P4X9/ WASHER/ RONDELLE/ BEILAGSCHEIBE	2
14	145 9125 000	V13.06100	DADO AUTOBLOCCANTE/ SELFLOCKING NUT/ ECROU/ GEGENMUTTER	4
15	145 9298 000	F02.338	FERMACAVO/ LOCKING CABLE/ BREDE CABLE/ KABELKLEMME	1
16	145 9135 000	V02.023	VITE TE M5X12/ SCREW/ VIS/ SCHRAUBE	1
17	145 9134 000	V13.003	DADO E M5/ NUT / ECROU/ MUTTER	1
18	145 8106 000	A00.00901	MOTORE SCUOTIFILTRO 30W/ FILTER SHAKER/ DECOLMATAGE DU FILTER/ FILTERRÜTTLER	1
19	145 4818 000		PIASTRA PER SCUOTIFILTRO/ FILTER SHAKER PLATE/ PLAQUE/ LASCHE	4
20	145 9135 000	V02.023	VITE TE M 6X16/ SCREW/ VIS/ SCHRAUBE	4
21	145 0407 000	V13.059 00	DADO AUTOBLOCCANTE BASSO M6/ SELFLOCKING NUT/ ECROU/ GEGENMUTTER	4
22	146 0192 000		PORTELLO CHIUSURA SPIRAZIONE/ HATCH/ TRAPPE/ KLAPPE	2
23	145 1339 000	V03.04510	VITE TSPEI M 4X46/ SCREW/ VIS/ SCHRAUBE	2
24	146 0326 000		GUARNIZIONE IN ANIMA METALLICA/ RINFORCED GASKET/ JOINT/ DICHTUNG	45.7 Inch

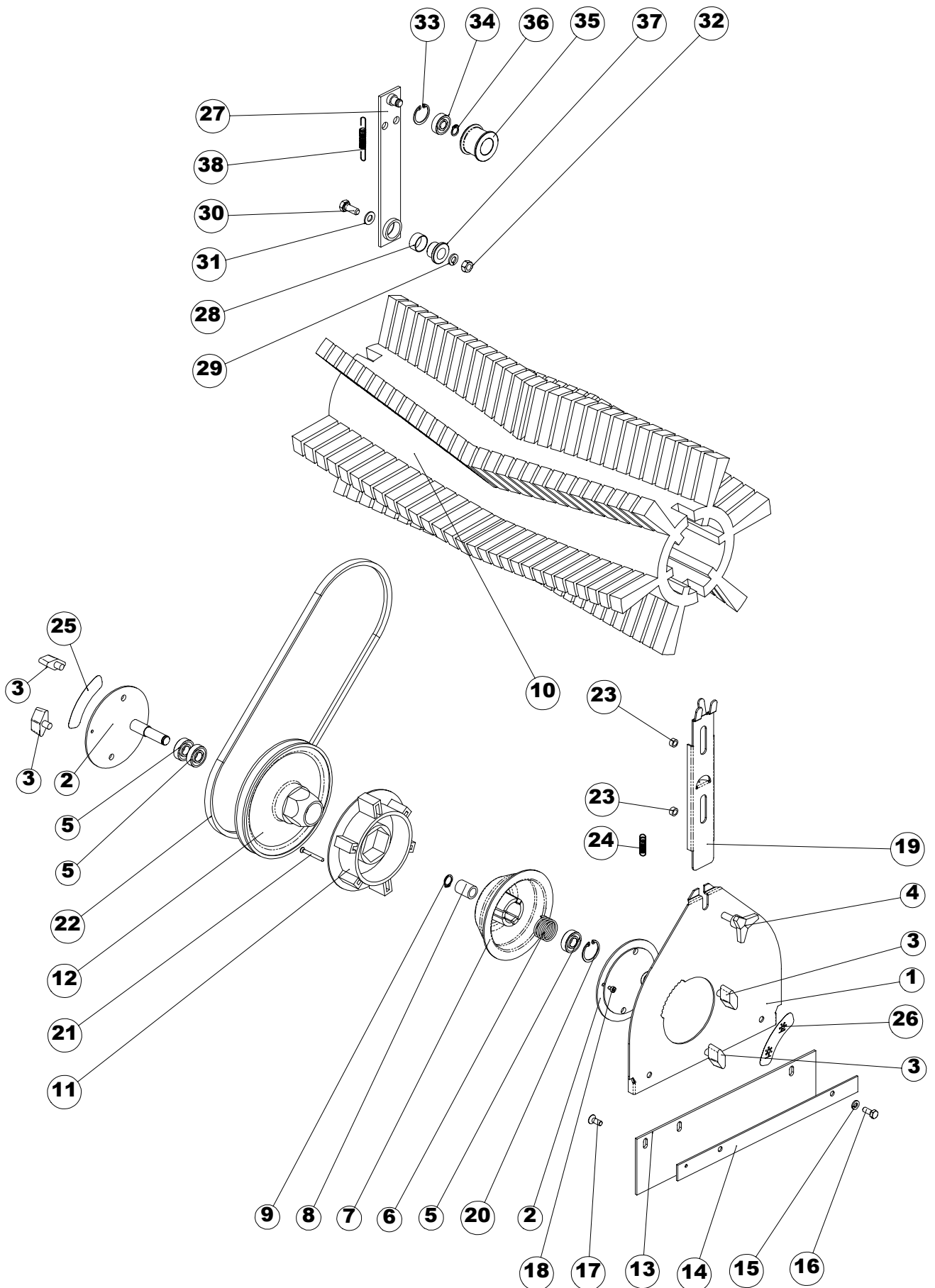


POSIZ ITEM POS EINSAT	CODICE CODE CODE NUMMER	INTERNO INTERNAL INTERIEUR INTERNE	DESCRIZIONE DESCRIPTION DESCRIPTION BEZEICHNUNG	B
--------------------------------	----------------------------------	---	--	---

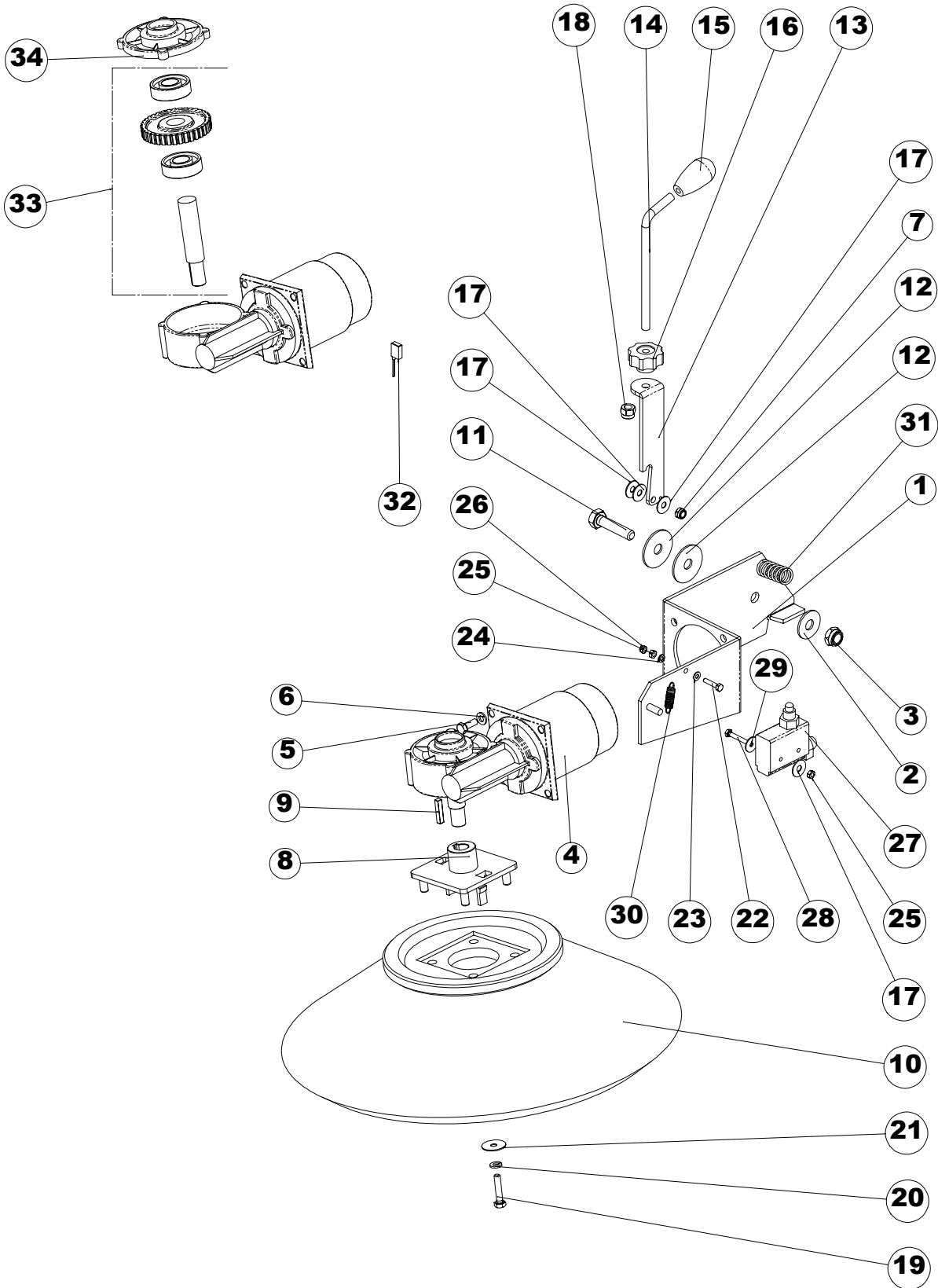
1	145 0420 000	F00.65860	CASSETTO/ DIRT CONTAINER/ BAC A DECHETS/ SCHMUTZ BEHAELTER	1
2	145 3544 000	F03.69000	MANIGLIONE/ HANDLE/ POIGNEE/ HANDGRIFF	1
3	145 9335 000	D00.008	RUOTA/ WHEEL/ ROUE/ RAD	2
4	145 9136 000	L02.028	GANCIO/ HOOK/ CROCHET/ HAKEN	1
5	145 4478 000	V02.061	VITE TE M 5X14/ SCREW/ VIS/ SCHAUBE	2
6	145 1261 000	V09.05303	RONDELLA PIANA 5X15/ PLAIN WASHER / RONDELLE/ BEILAGSCHEIBE	2
7	145 9134 000	V13.003	DADO / NUT/ ECROU/ MUTTER	2
8	145 9310 000	E02.051	DISTANZIALE / SPACER/ ENTROISE/ ABSTANDSTÜCK	2
9	145 9312 000	V02.016	VITE TE M 8X60/ SCREW/ VIS/ SCHRAUBE	2
10	145 9120 000	V09.005	RONDELLA PIANA 8X17/ PLAIN WASHER/ RONDELLE/ BEILAGSCHEIBE	2
11	145 9201 000	V13.020	DADO AUTOBLOCCANTE M8/ SELFLOCKING NUT/ ECROU/ GEGENMUTTER	2
12	145 4472 000	V02.007	VITE TE M 6X40/ SCREW/ VIS/ SCHRUABE	2
13	145 9129 000	V09.012	RONDELLA PIANA 6X24/ WASHER/ RONDELLE/ BEILAGSCHEIBE	2
14	145 9132 000	V13.019	DADO AUTOBLOCCANTE M6/ SELFLOCKING NUT/ ECROU/ GEGENMUTTER	2



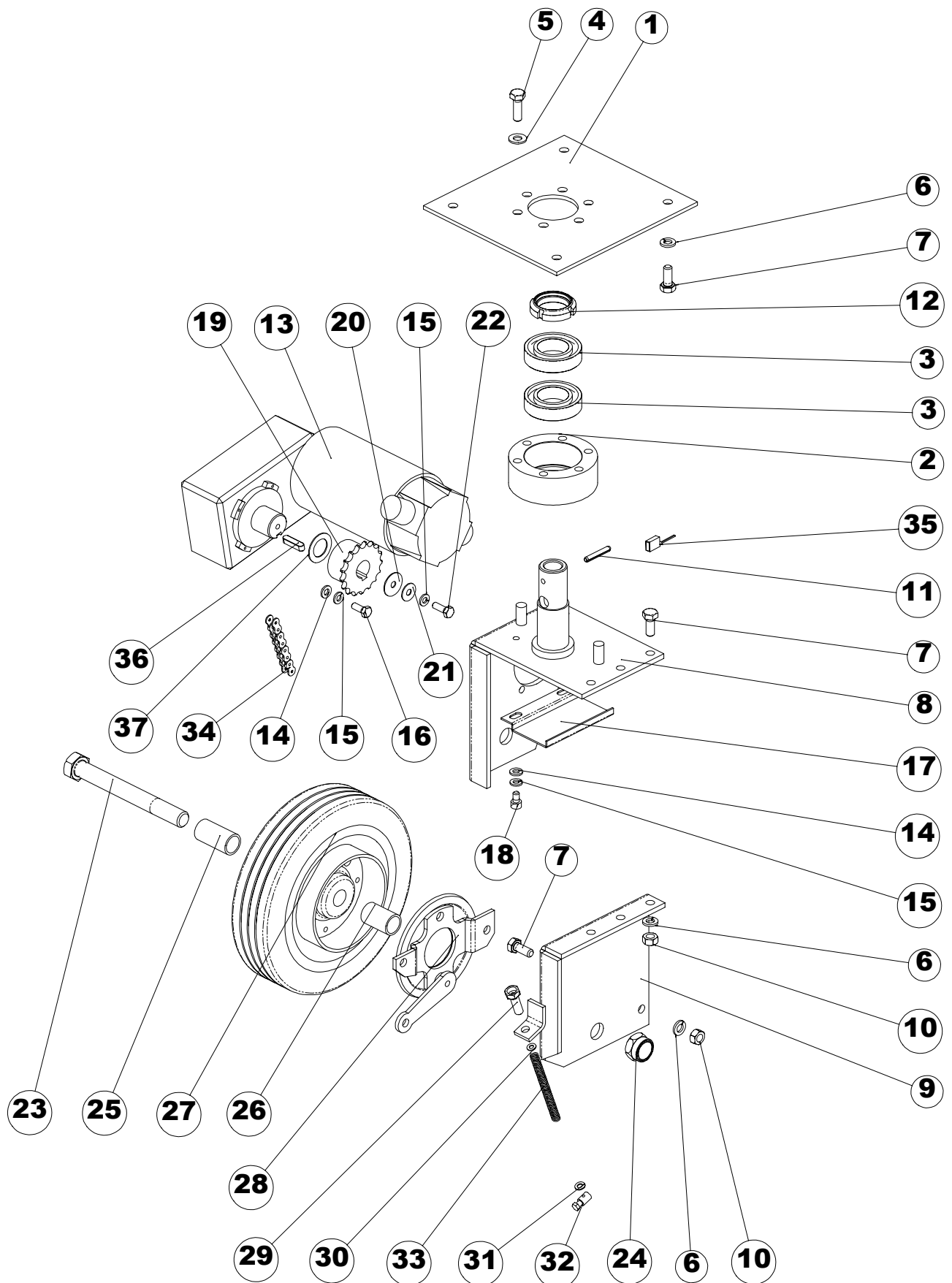
POSIZ ITEM POS EINSAT	CODICE CODE CODE NUMMER	INTERNO INTERNAL INTERIEUR INTERNE	DESCRIZIONE DESCRIPTION DESCRIPTION BEZEICHNUNG	B
1	145 1191 000	E02.69110	PERNO RUOTE POSTERIORI/ REAR WHEELS PIN/ ROUES ARRIERE AXE/ HINTERE RAEDER STIFT	2
2	145 0214 000	H02.30300	FLAP ANTERIORE/ FRONT FLAP/ BAVETTE ANT./ VODER FLAP GUMMI	1
3	145 3473 000	F03.61400	PIATTINA/ PLATE/ PLAQUE/ BAND	1
4	145 0407 000	V13.05900	DADO AUTOBLOCCANTE BASSO M6/ SELFLOCKING NUT/ ECROU/ GEGENMUTTER	6
5	145 4513 000	V11.007	RONDELLA SPACCATA D12/ WAHER/ RONDELLE/ BEILAGSCHEIBE	2
6	145 2540 000	E02.58400	SUPPORTO/ SUPPORT/ SUPPORT/HALTER	2
7	145 4516 000	V13.007	DADO M12/ NUT/ ECROU/ MUTTER	2
8	145 1194 000	V02.005	VITE TE M6X25/ SCREW/ VIS/ SCRAUBE	8
9	145 9132 000	V13.019	DADO AUTOBLOCCANTE M6/ SELFLOCKING NUT/ ECROU/ BEILAGSCHEIBE	2
10	145 3472 000	F03.61300	PEDALE/ PEDAL/ PEDALE/ PEDAL	2
11	145 8478 000	H02.063	COPRI PEDALE/ PEDAL COVER/ HOUSSE PEDALE/ PEDAL DECKUNG	2
12	145 8409 000	V17.06700	FORCELLA M6 LUNGA/ FORK/ FORCHETTE/ GABELSTUCK	2
13	145 9410 000	V17.06800	CLIP M6 LUNGA/ CIRCLIP/ CLP/ KLIPP	2
14	145 9283 000	E08.006	REGISTRO/ REGULATOR/ VIS DE REGLAGE/ REGLER	2
15	145 1188 000	H02.34640	FLAP POSTERIORE/ REAR FLAP/ BAVETTE AR/ HINTERE FALP GUMMI	1
16	146 0344 000		PIATTINA/ PLATE/ PLAQUE/ BAND (Replace 145 1189 000 Interchangeable)	1
17	145 9128 000	V09.004	RONDELLA PIANA 6X12/ PLAIN WASHER/ RONDELLE/ BEILAGSCHEIBE	2
18	145 1622 000	F03.70240	STAFFA/ HANGER/ ETRIER/ BUEGEL	1
19	145 9229 000	V09.022	RONDELLA PIANA 6X18/ PLAIN WASHER/ RONDELLE/ BEILAGSCHIEBE	1
20	145 9228 000	V11.004	RONDELLA SPACCATA D6/ WASHER/ RONDELLE/ BEILAGESCHIEBE	2
21	145 9227 000	V02.004	VITE TE M6X20/ SCREW/ VIS / SCHRAUBE	1
22	145 1212 000	H02.34650	FLAP LAT.DX/ RIGHT FLAP/ BAVETTE DROITE/ RECHTE FLAP GUMMI	1
23	145 1213 000	F03.69970	PIATTINA FLAP DX./ PLATE FOR RIGHT FLAP/ PLAQUE POUR BAVETTE DROITE/ BAND FUER RECHT FLAP GUMMI	1
24	145 9261 000	V02.003	VITE TE M6X16/ SCREW/ VIS/ SCHRAUBE	2
25	145 1190 000	D00.06680	RUOTA / WHEEL / ROUE/ RAD	2
26	145 9144 000	V09.002	RONDELLA P 4X9/ WASHER/ RONDELLE/ BEILAGSCHIEBE	2
27	145 8110 000	E08.010	MORSETTO D6/ CLAMP/ CROMPON/ KLEMM	2
28	145 9263 000	E05.024	DISTANZIALE/ SPACER / ENTRETOISE/ BEILAGSCHEIBE	2
29	145 4536 000	V17.008	CLIPS M6 CORTA/ CIRCLIP/ CLIP/ KLIP	1
30	145 2541 000	E02.58500	PERNO/ PIN/ AXE/ STIFT	1
31	145 9120 000	V09.005	RONDELLA PIANA 8X17/ PLAIN WASHER/ RONDELLE/ BEILAGSCHEIBE	2
32	145 8548 000	V15.01203	COPIGLIA 2X25/ SPLIT PIN/ GOUPILLE/ SPLINT	2
33	145 3090 000	F03.63200	PEDALE/ PEDAL/ PEDALE/PEDAL	1
34	145 4485 000	V02.10503	VITE TE M 5X25/ SCREW/ VIS/ SCREW	1
35	145 9134 000	V13.003	DADO M5/ NUT/ ECROU/ MUTTER	1
36	145 4511 000	V11.003	RONDELLA SPACCATA D5/ WASHER/ RONDELLE/	1
37	145 9395 000	E04.04400	MOLLA/ SPRING/ RESSORT/ FEDER	1
38	145 0267 000	E08.15150	CAVO ALZAFAP/ FLAP RAISING DEVICE CABLE/ RELEV BAVETTE CABLE/ GROBSCHMUTZKLAPPE AUFHEBUNGSKABEL	1
39	145 2761 000	E08.12601	CAVO FRENO/ BRAKE CABLE/ CABLE FREIN / BREMSKABEL	1
40	145 9290 000	E04.05200	MOLLA/ SPRING/ RESSORT/ FEDER	2
41	145 1193 000	E00.07680	SFERA D.S./ BALL/ ROULEMENT/ LAGER	2
42	145 4612 000	V13.07900	DADO AUTOBLOC.M16/ SELF LOCK. NUT/ ECROU/ MUTTER	1



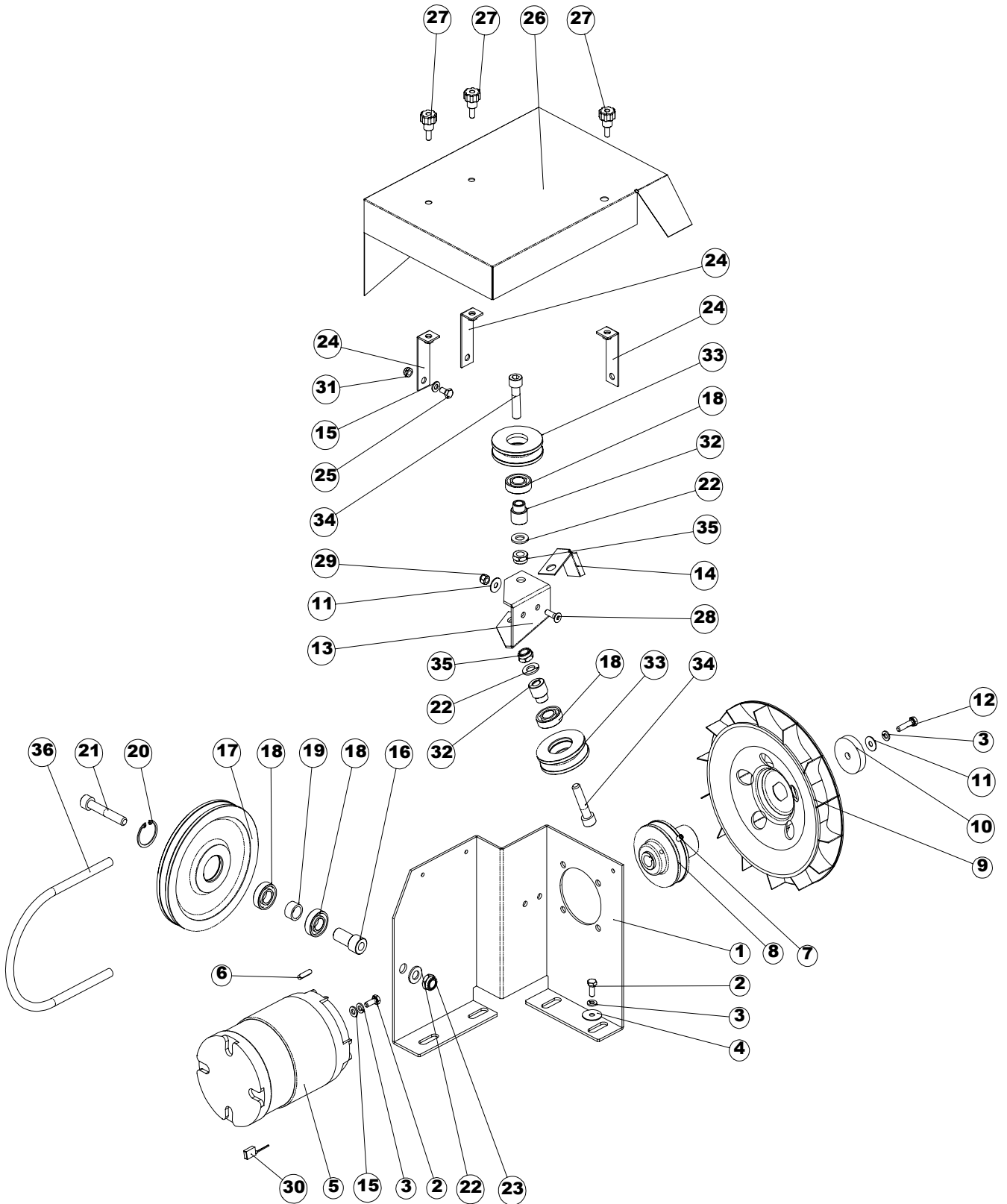
POSIZ ITEM POS EINSAT	CODICE CODE CODE NUMMER	INTERNO INTERNAL INTERIEUR INTERNE	DESCRIZIONE DESCRIPTION DESCRIPTION BEZEICHNUNG	B
#1	145 1215 000	F03.70030	PORTELLO / HATCH/ TRAPPE/ Klappe (145 3209 000 was a typing mistake)	1
2	145 0272 000	E02.68860	PERNO/ PIN/ AXE/ STIFT	2
3	145 1211 000	L02.16050	VOLANTINO/ KNOB/ MOLETTE/ HANDRAD	4
4	145 2247 000	L02.16060	VOLANTINO/ KNOB/ MOLETTE/ HANDRAD	1
5	145 0270 000	E00.023	CUSCINETTO 6001 2RS/ BALL BEARING/ ROULEMENT/ LAGER	3
6	145 0271 000	E04.09460	MOLLA/ SPRING/ RESSORT/ FEDER	1
7	145 0269 000	E02.68870	MOZZO SX PER SPAZZOLA CENTRALE/ LEFT HUB MAIN BROOM/ MOYEU GAUCHE BROUSSE CENTRAL/ LINKE NABE HAUPTKEHRWALZE	1
8	145 2663 000	E05.12100	DISTANZIALE/ SPACER/ ENTRETOISE/ ABSTANDSTUCK	1
9	145 9187 000	V14.006	SEEGER E12/ RETAINING RING/ CIRCLIP/ SICHERUNGSRING	1
10	146 0298 000		SPAZZOLA CENTRALE PPL/ MAIN BROOM PPL/ BROUSSE CENTRAL PPL/ HAUPTKEHRWALZE PPL	1
11	145 5661 000		MOZZO DX PER SPAZZOLA CENTRALE/ RIGHT HUB MAIN BROOM/ MOYEU DROITE BROUSSE CENTRAL/ RECHTE NABE HAUPTKEHRWALZE	1
12	145 2617 000	E03.18320	PULEGGIA / PULLEY / POULIE/ SCHEIBE	1
13	145 1216 000	H02.34660	FLAP SX/ LEFT FLAP/ BAVETTE GAUCHE/ LINKE FLAP GUMMI	1
14	145 1217 000	F03.70040	PIATTINA / PLATE/ PLAQUE/ BAND	1
15	145 9228 000	V11.004	RONDELLA / WASHER/ RONDELLE/ BEILAGSCHEIBE	2
16	145 9261 000	V02.003	VITE TE M 6X16/ SCREW/ VIS/ SCHRAUBE	2
17	145 4488 000	V03.004	VITE TSPEI M 6X16/ SCREW/ VIS/ SCHRAUBE	1
18	145 0273 000	V04.05020	VITE TCEI M4X16/ SCREW/ VIS/ SCHRAUBE	3
19	145 1251 000	F03.70060	PIASTRINA BLOCCA VOLANTINO / PLATE / PLAQUE/ LASCHE	1
20	145 1769 000	V14.016	SEEGER I28 / RETAINING RING/ CIRCLIP/ SICHERUNGSRING	1
21	145 1214 000	V05.01403	VITE TSPTC 3,9X38 AUTOF./ SCREW/ VIS/ SCHRAUBE	2
22	145 8019 000	H00.020	CINGHIA Z36/ BELT/ CURROIE/ RIEMEN	1
23	145 1252 000	E05.19170	DISTANZIALE / SPACER/ ENTRETOISE/ BEILAGSCHEIBE	2
24	145 8925 000	E04.07400	MOLLA/ SPRING/ RESSORT/ FEDER	1
25	146 0221 000		ADESIVO/ DECAL/ ADHESIF/ KLEBER	1
26	146 0222 000		ADESIVO/ DECAL/ ADHESIF/ KLEBER	1
27	145 1210 000	F03.69270	LEVA/ LEVER/ LEVIER/ HEBEL	1
28	145 9405 000	E01.007	BOCCOLA/ BUSHING/ BAGUE/ BUCHSE	1
29	145 4512 000	V11.005	RONDELLA SP.8/ WASHER/ ENTRETOISE/ BEILAGSCHEIBE	1
30	145 9170 000	V02.013	VITE TE M 8X20/ SCREW/ VIS/ SCHRAUBE	1
31	145 9120 000	V09.005	RONDELLA P.8X17/ WASHER/ ENTRETOISE/ BEILAGSCHEIBE	1
32	145 9123 000	V13.005	DADO M8/ NUT/ ECROU/ MUTTER	1
33	145 9189 000	V14.013	SEEGER 126/ RETAINING RING/ CIRCLIP/ SICHERUNGSRING	1
34	145 9186 000	E00.007	CUSCINETTO 6000 2RS/ BALL BEARING/ ROULEMENT/ LAGER	1
35	145 1209 000	E02.68910	RULLO/ ROLLER/ ROULEMENT/ ROLLE	1
36	145 9254 000	V14.007	SEEGER E10/ RETAINING RING/ CIRCLIP/ SICHERUNGSRING	1
37	145 9156 000	E02.110	BOCCOLA/ BUSHING/ BAGUE/ BUECHSE	1
38	145 0274 000	E04.09490	MOLLA/ SPRING/ RESSORT/ FEDER	1



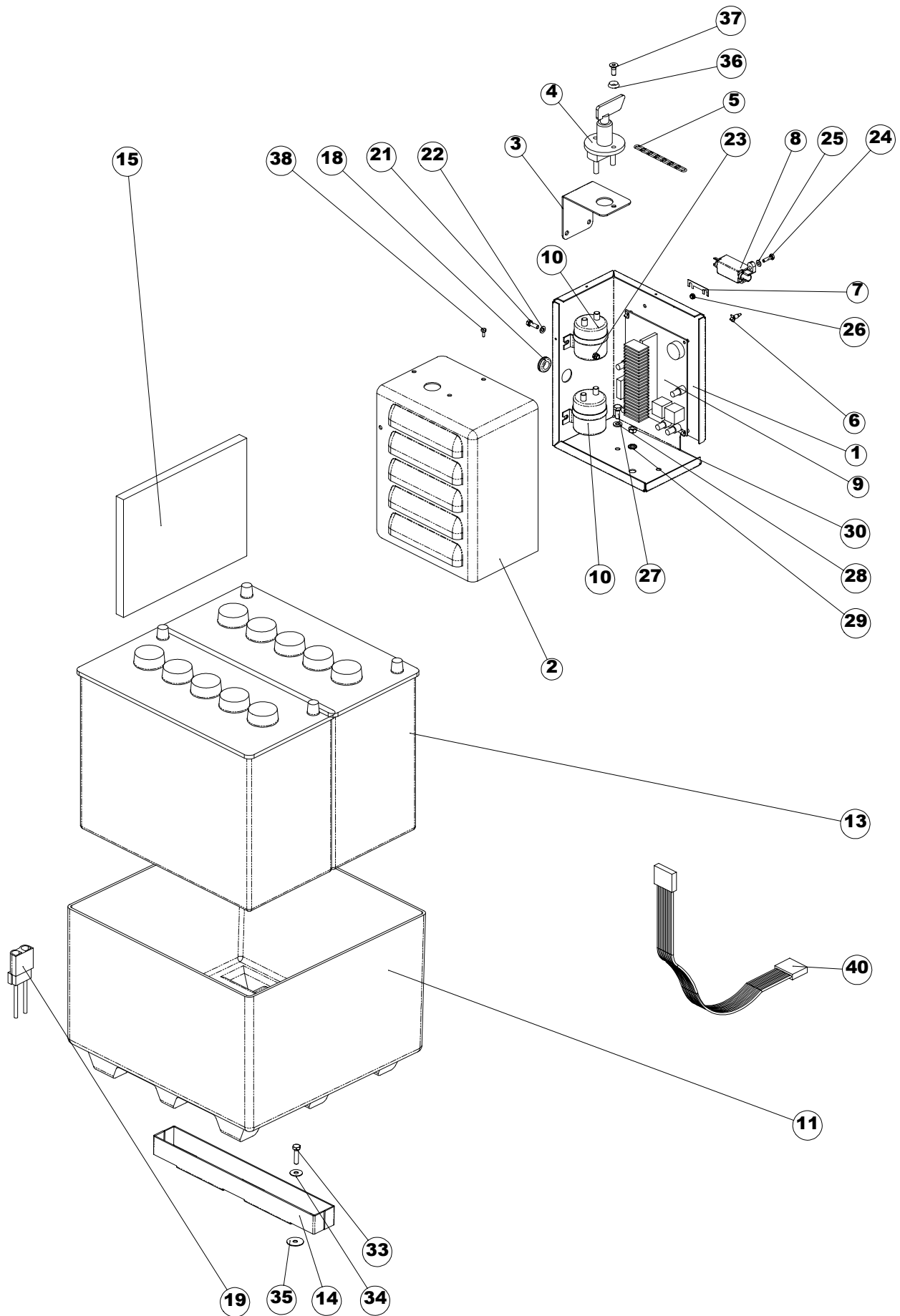
POSIZ ITEM POS EINSAT	CODICE CODE CODE NUMMER	INTERNO INTERNAL INTERIEUR INTERNE	DESCRIZIONE DESCRIPTION DESCRIPTION BEZEICHNUNG	B
1	145 1204 000	F03.70010	STAFFA DX/ RIGHT BRACKET/ SUPPORT DROITE/ RECHTE BUEGEL	1
2	145 4505 000	V09.019	RONDELLA P.10X30/ WASHER/ RONDELLE/ BEILASCHEIBE	1
3	145 4518 000	V13.021	DADO AUTOBLOCCANTE M10/ SELFLOCKING NUT/ ECROU/ GEGENMUTTER	1
4	145 0275 000	A05.01600	MOTORIDUTTORE DX 60W 24V / RIGHT REDUC.GEAR/ MOTOREDUC.DROITE/ RECHTE VERMINDERUNGSGETRIEBE	1
5	145 9227 000	V02.004	VITE TE M 6X20/ SCREW/ VIS/ SCHRAUBE	4
6	145 9128 000	V09.004	RONDELLA PIANA 6X12/ PLAIN WASHER / RONDELLE/ BEILAGSCHEIBE	4
7	145 0407 000	V13.05900	DADO AUTOBLOCCANTE BASSO M6/ SELFLOCKING NUT/ ECROU/ GEGENMUTTER	1
8	146 0402 000		FLANGIA PORTASPAZZOLA/ BRUSHHOLDER FLANGE/ FLANSQUE DE BROSSE SUPPORT/ FLANSCH BUERSTEHALTER (Replace 145 4812 000 Interchangeable)	1
9	145 8024 000	V17.07000	LINGUETTA 5X5X25/ TAB/ CLAVETTE/ KEIL	1
10	145 1899 000		SPAZZOLA LAT.180X420 PPL 0,8/ SIDE BRUSH/ BROSSE LAT./ SEITEN BUERSTE	1
11	145 1771 000	V02.12800	VITE TE M10X45/ SCREW/ VIS/ SCHRAUBE	1
12	145 1208 000	V09.027	RONDELLA PIANA 10X40/ PLAIN WASHER / RONDELLE/ BEILAGSCHEIBE	2
13	145 5076 000		LEVA SPAZ. LAT DX./ LEVER LEFT SIDE BRUSH/ LEVRIER BROSSE DROITE/ HEBEL SEITEN BUERSTE	1
14	145 2573 000	E02.66400	TIRANTE PER SPAZZOLA LAT./ TENSION ROD/ TIRANT/ SPANNER	1
15	145 9319 000	L03.02400	MANOPOLA/ KNOB/ POIGNEE/ DREHKNOPF	1
16	145 8484 000	L02.13000	VOLANTINO/ KNOB/ MOLETTE/ HANDRAD	1
17	145 9229 000	V09.022	RONDELLA P.6X18/ WASHER/ RONDELLE/ BEILAGSCHEIBE	4
18	145 0407 000	V13.05900	DADO AUTOBLOCCANTE M 6/ SELF LOCKING NUT/ ECROU/ GEGENMUTTER	1
19	145 8290 000	V02.11910	VITE TE M6X20 SX INOX/ SCREW/ VIS/ SCHRAUBE	1
20	145 9228 000	V11.004	RONDELLA SP.D6/ WASHER/ RONDELLE/ BEILAGSCHEIBE	1
21	145 9129 000	V09.012	RONDELLA PIANA 6X24/ PLAIN WASHER/ RONDELLE/ BEILAGSCHEIBE	1
22	145 1203 000	V02.11810	VITE TE M4X20/ SCREW/ VIS/ SCHRAUBE	1
23	145 9144 000	V09.002	RONDELLA PIANA 4X9/ PLAIN WASHER/ RONDELLE/ BEILAGSCHEIBE	1
24	145 9296 000	V19.002	RONDELLA PIANA 6X24/ PLAIN WASHER/ RONDELLE/ BEILAGSCHEIBE	1
25	145 9145 000	V13.002	DADO E M4/ NUT/ ECROU/ MUTTER	2
26	145 9125 000	V13.06100	DADO E AUTOBL.M4/ SELFLOCKING NUT/ ECROU/ MUTTER	2
27	145 8854 000	G05.10300	MICROINTERRUTTORE/ MICROSWITCH/ MICROINTERRUPTEUR/ MICROSCHALTER	1
28	145 1201 000	V02.09503	VITE TE M 4X30/ SCREW/ VIS/ SCHRAUBE	2
29	145 4508 000	V09.05703	RONDELLA P.4X16/ WASHER/ RONDELLE/ BEILAGSCHEIBE	2
30	145 9290 000	E04.05200	MOLLA/ SPRING/ RESSORT / FEDER	1
31	145 0276 000	E04.017	MOLLA/ SPRING/ RESSORT / FEDER	1
32	145 2224 000	A11.04500	CARBONCINI/ CARBON BRUSHES/ CHARBONS/ KOHLBUERSTE	2
33	145 8399 000	A11.03900	INGRANAGGIO COMPLETO/ GEAR COMPLETE/ ENGRANAGE/ GETRIEBE	1
34	145 1206 000	A11.04400	COPERCHIO MOTORIDUTTORE/ REDUCTION GEAR CAP/ MOTORIDUCTEUR COUVERCLE/ VERMIENDERUNGSGETRIEBE DECKUNG	1



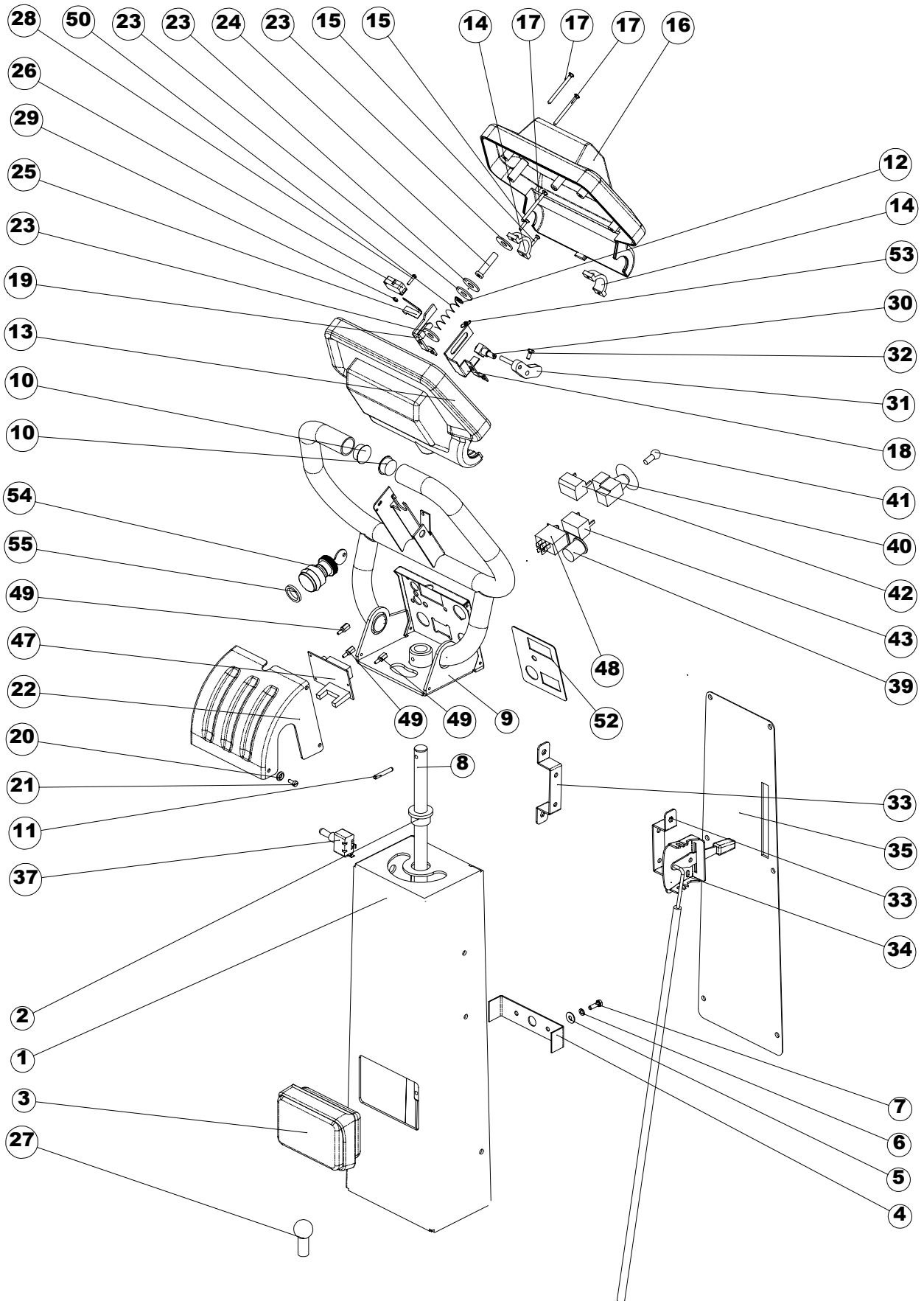
POSIZ ITEM POS EINSAT	CODICE CODE CODE NUMMER	INTERNO INTERNAL INTERIEUR INTERNE	DESCRIZIONE DESCRIPTION DESCRIPTION BEZEICHNUNG	B
1	145 3476 000	F03.61700	PIASTRA/ PLATE/ PLAQUE/ PLATTE	1
2	145 2568 000	E02.65900	FLANGIA/ FLANGE/ FLASQUE/ FLANSCH	1
3	145 0225 000	E00.06700	CUSCINETTO 6006 2RS1/ BALL BEARING/ ROULEMENT/ LAGER	2
4	145 9120 000	V09.005	RONDELLA P. 8X17/ WASHER/ RONDELLE/ BEILAGSCHEIBE	6
5	145 9116 000	V02.014	VITE TE M 8X25/ SCREW/ VIS/ SCHRAUBE	6
6	145 4512 000	V11.005	RONDELLA SP.8/ WASHER/ RONDELLE/ BEILAGSCHEIBE	4
7	145 9170 000	V02.013	VITE TE M8X20/ WASHER / RONDELLE/ BEILAGSCHEIBE	4
8	146 0219 000		SUPPORTO STERZO/ STEERING SUPPORT/ SUPPORT/ HALTER	1
9	146 0220 000		SUPPORTO RUOTA/ WHEEL SUPPORT/ SUPPORT/ HALTER	1
10	145 9123 000	V13.005	DADO E M 8/ NUT/ ECROU/ MUTTER	2
11	145 4546 000	V17.08400	SPINA 5X30/ PIN/ GOUPILLE/ STIFT	1
12	145 4519 000	V13.035	GHIERA AUTOBL. M30X1,5/ NUT ECROU/ RING	1
13	145 5213 000		MOTORIDUTTORE 400 W 24 V/ REDUCTION GEAR/ MOTOREDUCTEUR/ VERMINDERUNGSGETRIEBE	1
14	145 9128 000	V09.004	RONDELLA P.6X12/ WASHER/ RONDELLE/ BEILAGSCHEIBE	4
15	145 9228 000	V11.004	RONDELLA SP.D6/ WASHER/ RONDELLE/ BEILAGSCHEIBE	4
16	145 9261 000	V02.003	VITE TE M 6X16/ SCREW/ VIS/ SCHRAUBE	4
17	145 3475 000	F03.61600	PROTEZIONE/ PROTECTION / PROTECTION/ SCHUTZ	1
18	145 1198 000	V01.007	VITE TCEI M 6X10 INOX/ SCREW/ VIS/ SCHRAUBE	2
19	145 0221 000	E06.05100	PIGNONE Z17/ PINION/ PIGNON/ RITZEL	1
20	145 9129 000	V09.012	RONDELLA P. 6X24/ WASHER/ RONDELLE/ BEILAGSCHEIBE	1
21	145 9229 000	V09.022	RONDELLA P. 6X18/ WASHER/ RONDELLE/ BEILAGSCHEIBE	1
22	145 9227 000	V02.004	VITE TE M 6X20/ SCREW/ VIS/ SCHRAUBE	1
23	145 2576 000	E02.66700	PERNO/ PIN/ AXE/ STIFT	1
24	145 1192 000	V13.09400	DADO AUTOBL.BASSO M18/ NUT / ECROU/ MUTTER	1
25	145 2575 000	E02.66600	DISTANZIALE/ SPACER/ ENTRETOISE/ ABSTNDSTUECK	1
26	145 2574 000	E02.66500	DISTANZIALE/ SPACER/ ENTRETOISE/ ABSTNDSTUECK	1
27	145 0247 000	D00.06201	RUOTA/ WHEEL / ROUE/ RAD	1
28	145 8066 000	L04.01600	FRENO/ BRAKE/ FREIN/ BREMSE	1
29	146 0321 000		REGISTRO/ REGULATOR COMPLETE M8X55/ REGLAGE/ REGLER	1
30	145 9229 000	V09.022	RONDELLA P.4X9/ WASHER/ RONDELLE/ BEILAGSCHEIBE	1
31	145 9133 000	V09.003	RONDELLA P.5X10/ WASHER/ RONDELLE/ BEILAGSCHEIBE	1
32	145 9366 000	E08.018	MORSETTO/ CLAMP/ SERRE CABLE/ KLEMME/	1
33	145 9395 000	E04.04400	MOLLA/ SPRING/ RESSORT/ FEDER	1
34	145 0222 000	E07.04000	CATENA 3/8"X35 PASSI/ CHAIN 3/8 " X35 STEPS/ CHAINE/ KETTE	1
35	145 8360 000	A11.00800	CARBONCINI/ CARBON BRUSH/ CHARBONS/ KOHLBUERSTE	4
36	145 9773 000	V17.040	CHIAVETTA 6X6X20/ KEY/ CLAVETTE/ KEILNUT	1
37	146 0331 000		DISTANZIALE/ SPACER / ENTRETOISE/ BEILAGSCHEIBE	1



POSIZ ITEM POS EINSAT	CODICE CODE CODE NUMMER	INTERNO INTERNAL INTERIEUR INTERNE	DESCRIZIONE DESCRIPTION DESCRIPTION BEZEICHNUNG	B
1	146 0196 000		STAFFA/ BRACKET/ SUPPORT/ BUEGEL	1
2	145 9261 000	V02.003	VITE TE M6X16/ SCREW/ VIS/ SCHRAUBE	8
3	145 9228 000	V11.004	RONDELLA SP.D6/ WASHER/ RONDELLE/ BEILAGSCHIEBE	8
4	145 9129 000	V09.012	RONDELLA PIANA 6X24/ WASHER/ RONDELLE/ BEILAGSCHIEBE	4
5	145 9985 000	A00.05801	MOTORE ELETTRICO 750W 24V/ ELECTRIC MOTOR/ MOTEUR ELECTRIC/ ELEKTRISCHER MOTOR	1
6	145 9774 000	V17.041	CHIAVETTA 5X5X20/ KEY/ CLAVETTE/ KEILNUT	1
7	145 9192 000	V08.001	GRANO M 6X10/ DOWEL/ GOUPILLE/ STIFT	1
8	145 0301 000	E03.17900	PULEGGIA/ PULLEY/ POULIE/ SCHEIBE	1
9	145 9179 000	B03.001	VENTILATORE / VENTILATOR/ VENTILATEUR/ VENTILAOTR	1
10	145 9180 000	E05.027	DISTANZIALE/ SPACER/ ENTRETOISE/ ABSTNDSTUECK	1
11	145 9229 000	V09.022	RONDELLA PIANA 6X18/ WASHER/ RONDELLE/ BEILAGSCHIEBE	3
12	145 1194 000	V02.005	VITE TE M 6X25/ SCREW/ VIS/ SCHRAUBE	1
13	145 3454 000	F03.52900	STAFFA/ BRACKET/ SUPPORT/ BUEGEL	1
14	145 3359 000	F03.35500	GUIDACINGHIA/BELT SUPPORTING PLATE/ GUIDE COURROIE/ RIEMENFUHRER	1
15	145 9128 000	V09.004	RONDELLA P.6X12/ WASHER/ RONDELLE/ BEILAGSCHIEBE	4
16	145 9862 000	E02.57900	ALBERO/ SHAFT/ ARBRE/ WELLE	1
17	145 2614 000	E03.1800	PULEGGIA/ PULLEY/ POULIE/ SCHEIBE	1
18	145 8196 000	E00.001	CUSCINETTO 6002 2RS/ BALL BEARING/ ROULEMENT/ LAGER	4
19	145 2688 000	E05.17200	DISTANZIALE/ SPACER/ ENTRETOISE/ ABSTANDSTUECK	1
20	145 9161 000	V14.003	SEEGER I32/ RETAINING RING/ CIRCLIP/SICHERUNGSRING	1
21	145 1235 000	V04.04200	VITE TCEI M10X60/ SCREW/ VIS/ SCHRAUBE	1
22	145 9320 000	V09.006	RONDELLA PIANA 10X21/ WASHER/ RONDELLE/ BEILAGSCHIEBE	3
23	145 1236 000	V13.08603	DADO AUTOBL.BASSO M 10/ / NUT / ECROU/ MUTTER	1
24	145 3480 000	F03.62100	STAFFA/ BRACKET/ SUPPORT/ BUEGEL	3
25	145 9442 000	V02.002	VITE TE M 6X12/ SCREW/ VIS/ SCHRAUBE	3
26	145 2936 000	F00.62000	PROTEZIONE/ PROTERCTION/ PROTECTION/ SCHUTZ	1
27	145 2244 000	L02.16020	VOLANTINO/ KNOB / MOELETTE/ HANDRAD	3
28	145 9309 000	V03.003	VITE TSPEI M 6X20/ SCREW/ VIS/ SCHRAUBE	2
29	145 9132 000	V13.019	DADO AUTOBLOCCANTE M 6/ NUT / ECROU/ MUTTER	2
30	145 8360 000	A11.00800	CARBONCINI/ CARBON BRUSH/ CHARBONS/ KOHLENBUERSTE	4
31	145 0407 000	V13.05900	DADO AUTOBL. BASSO M6/ NUT / ECROU/ MUTTER	3
32	145 2564 000	E02.63200	PERNO/ PIN/ AXE/ STIFT	2
33	145 0278 000	E03.18100	PULEGGIA/ PULLEY/ POULIE/ SCHEIBE	2
34	145 4496 000	V04.03700	VITE TCEI M10X45/ SCREW/ VIS/ SCHRAUBE	2
35	145 4518 000	V13.021	DADO AUTOBLOCCANTE M10/ NUT / ECROU/ MUTTER	2
36	145 0216 000	H00.13900	CINGHIA/ GASKET/ COURROIE/ DICHTUNG	1

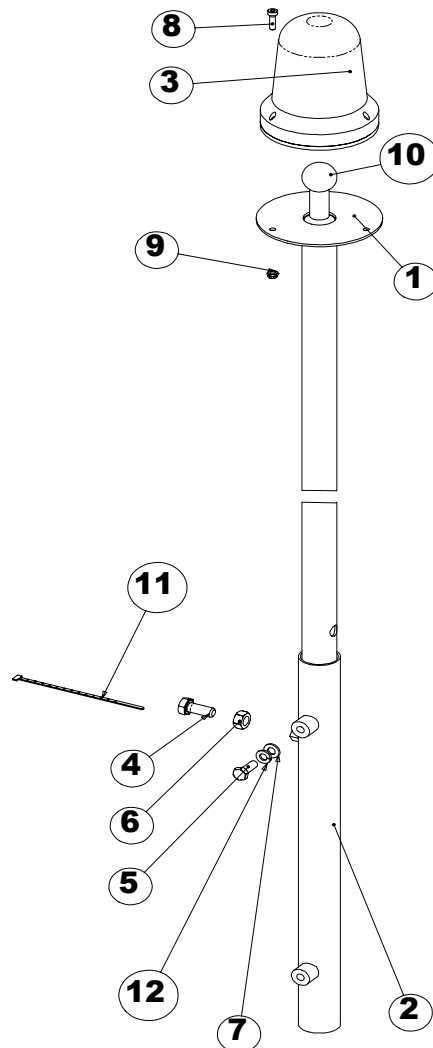


POSIZ ITEM POS EINSAT	CODICE CODE CODE NUMMER	INTERNO INTERNAL INTERIEUR INTERNE	DESCRIZIONE DESCRIPTION DESCRIPTION BEZEICHNUNG	B
1	146 0197 000		CASSETTA ELETTRICA/ ELECTRIC BOX/ CAISSON ELETRIC/ ELEKTRISCHE KASTEN	1
2	146 0198 000		COPERCHIO CASSETTA/ BOX COVER/ CAISSON COUVERCLE/ ELEK.KASTEN DECKUNG	1
3	146 0297 000		STAFFA / BRACKET/ SUPPORT/ BUEGEL	1
4	145 1779 000		INTERUTTORE BLOCCA BATTERIA/ BATTERY BLOCK KEY/	1
5	145 5358 000		CATENA PER BLOCCA BATTERIA/ PLASTIC CHAIN / PLASTIQUE CHAINE/ KUNDSTOFF KETTE	3,54 in
6	145 0516 000	L02.13700	DISTANZIALE / SPACER/ ENTRETOISE/ ADSTANDSTUECK	4
7	145 9854 000	G11.05600	FUSIBILE 50AH/ FUSE / FUSE/ SICHERUNG	1
8	145 8046 000	G11.05000	PORTAFUSIBILE/ FUSE HOLDER/ FUSE SUPPORT/ SICHERUNGSHALTER	1
9	145 0205 000	G02.12500	SCHEDA ELETTRONICA / ELECTRONIC CARD/ CARTE ELECTRONIQUE/ ELECTRONISCHE KARTE	1
10	145 0300 000	G02.10800	TELERUTTORE 24V 120AH/ ELECTROMAGNETIC SWITCH/ TELERUPTEUR/ SCHALTER	2
11	145 0504 000	H01.25910	CONTENITORE BATTERIE/ BATTERIES CONTAINER / CAISSON POUR BATTERIE/ BATTERIE BEHAELTER	1
13	56025782		BATTERIA 12V 130AH/ BATTERY/ BATTERIE/ BATTERIEN	1
14	145 4663 000		TELAIO PER BATTERIE/ BATTERY FRAME/ BATTERY FRAME/ CHASSIS POUR BATTERIE/ BATTERIE RAHMEN	1
15	145 6094 000		PANNELLO PER BATTERIE/ RESTRAIN PANEL/ PANNEAU/ PANEL	1
18	145 9426 000	G07.01910	PASSACAVO/ CABLE GUIDE/ GUIDE CABLE/ KABELFUEHRUNG	1
19	145 6062 000		CONNETTORE 50AH ROSSO/ CONNECTOR/ PRISE/ KUPPLUNGSTUECK	1
21	145 4483 000	V02.09203	VITE TE M 5X16/ SCREW/ VIS/ SCHRAUBE	4
22	145 9133 000	V09.003	RONDELLA P.5X10/ WASHER/ RONDELLE/ BEILAGSCHIEBE	4
23	145 9287 000	V13.018	DADO AUTOBLOCCANTE M5/ SELF LOCKING NUT / ECROU/ MUTTER	4
24	145 9141 000	V02.06700	VITE TE M 6X16/ SCREW/ VIS/ SCHRAUBE	2
25	145 9229 000	V09.022	RONDELLA P. 6X12/ WASHER/ RONDELLE/ BEILAGSCHIEBE	2
26	145 9125 000	V13.06100	DADO E AUTOBLOC.M4// NUT / ECROU/ MUTTER	2
27	145 9261 000	V02.003	VITE TE M 6X16/ SCREW/ VIS/ SCHRAUBE	1
28	145 9128 000	V09.004	RONDELLA P.6X12/ WASHER/ RONDELLE/ BEILAGSCHIEBE	1
29	145 9233 000	V19.004	RONDELLA DENTATA A D 6/ WASHER/ RONDELLE/ BEILAGSCHIEBE	1
30	145 9154 000	V13.004	DADO M 6/ NUT / ECROU/ MUTTER	1
33	145 1194 000	V02.005	VITE TE M 6X25/ SCREW/ VIS/ SCHRAUBE	2
34	145 9229 000	V09.022	RONDELLA P.6X18/ WASHER/ RONDELLE/ BEILAGSCHIEBE	2
35	145 9129 000	V09.012	RONDELLA P.6X25/ WASHER/ RONDELLE/ BEILAGSCHIEBE	2
36	145 1129 000	V11.02330	RONDELLA SVASATA 6X16/ WASHER/ RONDELLE/ BEILAGSCHIEBE	2
37	145 4488 000	V03.004	VITE TSPEI M 6X16/ SCREW/ VIS/ SCHRAUBE	2
#38	146 0454 000	V03.03803	VITE TE 3,9X16 AUTOF./ SCREW/ VIS/ SCHRAUBE	3
40	145 5629 000		CAVO PIATTO/ FLAT CABLE/ CABLE/ KABEL	1



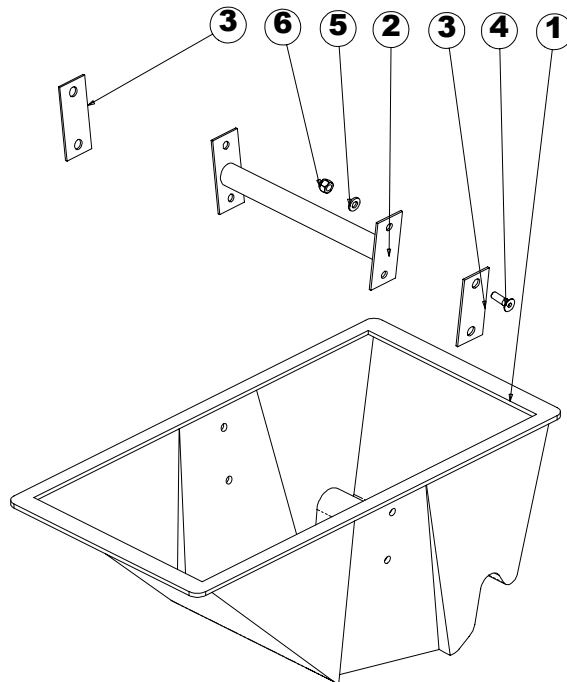
POSIZ ITEM POS EINSAT	CODICE CODE CODE NUMMER	INTERNO INTERNAL INTERIEUR INTERNE	DESCRIZIONE DESCRIPTION DESCRIPTION BEZEICHNUNG	B
1	146 0195 000		COLONNA STERZO/ STEERING COLUMN/ SUPPORT/ LENKSAULE	1
2	145 2388 000	E01.04800	BOCCOLA / BUSHING/ BAGUE/ BUECHSE	1
3	145 8244 000	G06.02400	FANALE/ HEADLIGHT/ PHARE/ SCHEINWERFER	1
4	145 3483 000	F03.62500	STAFFA/ BRACKET/ SUPPORT/ BUEGEL	1
5	145 8280 000	V09.05310	RONDELLA P. 5X15 INOX/ WASHER/ RONDELLE/ BEILAGSCHIEBE	2
6	145 4511 000	V11.003	RONDELLA SP.D.5/ WASHER/ RONDELLE/ BEILAGSCHIEBE	2
7	145 4483 000	V02.09203	VITE TE M 5X16/ SCREW/ VIS/ SCHRAUBE	2
8	146 0194 000		ASTA STERZO/ STEERING SHAFT/ ARBRE/ STEUER WELLE	1
9	146 0208 000		MANUBRIO/ PADDLE/ GUIDON/ LENKER	1
10	145 4261 000	L02.032	TAPPO A SCATTO/ CAP/ BOUCHON/ PFROPFEN	2
11	145 4546 000	V17.08400	SPINA 5X30/ PLUG/ GOUPILLE/ STIFT	1
12	08283200		RONDELLA PLASTICA 6X12/ WASHER/ RONDELLE/ BEILAGSCHEIBE	1
13	08812280		COPERCHIO INFERIORE/ LOWER COVER/ COUVERCLE INF./ UNTERE DECKUNG	1
14	08812279		COLLARE VITE TCTC 3,6X16 AUTOF./ COLLAR/ BRIDE/ SCHELLE	2
15	08603192		VITE TCTC 3,6X16 AUTOF./ SELFLOCKING SCREW/ VIS/ SCHRAUBE	4
16	08812281		COPERCHIO SUPERIORE/ UPPER COVER/ COUVERCLE SUP./ OBENE DECKUNG	1
17	08812421		VITE TCTC 4,2X50 AUTOF./ SELFLOCKING SCREW/ VIS/ SCHRAUBE	5
18	146 0385 000		STAFFA POTENZIOMETRO/ POTENTIOMETER BRACKET/ SUPPORT/POTI BUEGEL (Replace 146 0215 000 Interchangeable)	1
19	146 0216 000		STAFFA PER MICRO/ BRACKET F. MICROS./ SUPPORT/ BUEGEL	1
20	145 9122 000	V11.02400	RONDELLA SVASATA 5/ WASHER/ RONDELLE/ BEILAGSCHIEBE	6
21	145 1239 000	V05.00703	VITE TCCI 3,9X13 AUTOF./ SELFLOCKING SCREW/ VIS/ SCHRAUBE	6
22	146 0217 000		COPERTURA MANUBRIO/ HANDLE COVER/ GUIDON COUVERCLE/ LENKER DECKUNG	1
23	08812337		RONDELLA P.9X25 NYLON/ WASHER/ RONDELLE/ BEILAGSCHIEBE	4
24	08812316		DISTANZIALE/ SPACER/ ENTRETOISE/ ABSTNDSTUECK	1
25	08812377		CONTATTO PER MICROINTERRUPTORE/ CONTACT F.MICROSWITCH/ CONTACT P. MICROINTERRUPTEUR/ KONTAKT F. MICROSCHALTER	1
26	146 0403 000		MICROINTERRUPTORE/ MICROSWITCH/ MICROINTERRUPTEUR/ MICROSCHALTER (Replace 08812294 Interchangeable)	2
27	145 5518 000	G11.023	LAMPADINA 24V 21W/ LAMP/ LAMPE/ LAMPE	1
28	08093600		VITE TCCI M3X16/ SCREW/ VIS/ SCHRAUBE	4
29	08048300		DADO M3/ NUT / ECROU/ MUTTER	4
30	146 0387 000		POTENZIOMETRO/ POTENTIOMETER/ POTENTIOMETRE/ POTENTIOMETER (145 6070 000 Valid for SR 1000 B only)	1
31	146 0209 000		LEVA POTENZIOMETRO/ POTENTIOMETER LEVER/ POTENTIOMETRE LEVRIER/ POTENTIOMETER HEBEL	1
32	145 1773 000	V02.001	VITE TER M4X10/ SCREW/ VIS/ SCHRAUBE	1
33	146 0218 000		STAFFA PER LEVA COMANDO ASP./ BRACKET F. DUST CONTROL LEVER/ SUPPORT/ BUEGEL	2
34	146 0193 000		CAVO ASPIRAZIONE/ VACUUM CABLE/ CABLE ASP./ SAUGKABEL	1
35	146 0199 000		COPRI COLONNA/ COLUMN COVERING/ COUVERCLE/ SAULEABDECKUNG	1
37	145 8261 000	G05.10700	INTERRUPTORE/ SWITCH/ INTERUPTEUR/ SCHALTER	1
39	145 8885 000	G05.08200	PULSANTE/ PUSH BUTTON/ BOUTON POUSSOIR/ KNOPF	1
40	145 8884 000	G05.10200	INTERRUPTORE/ SWITCH/ INTERUPTEUR/ SCHALTER	1
41	145 1233 000	G11.008	LAMPADINA 24V 3W/ LAMP/ LAMPE/ LAMPE	1
42	145 8889 000	G03.08000	CONTATTO/ CONTACT/ CONTACT/ KONTAKT	1
43	145 8890 000	G03.08100	CONTATTO/ CONTACT/ CONTACT/ KONTAKT	1
47	145 0226 000	G02.12600	SCHEDA DISPLAY/ DISPALY CARD/ PLATINE TABLEAU DE COMAND/ KONTROLPANEL KARTE	1
48	145 9817 000	G05.02300	INTERRUPTORE/ SWITCH/ INTERUPTEUR/ SCHALTER	1
49	145 5121 000		DISTANZIALE/ SPACER/ ENTRETOISE/ ABSTNDSTUECK	3
50	08812343		MOLLA/ SPRING/ RESSORT/ FEDER	2
52	145 4373 000	P00.14500	SERIGRAFIA PLANCIA/ CONTROL PANEL DECAL/ ADHESIF POUR TABLEAU DE COMAND/ KLEBER FUER KONTROL PANEL	1
53	146 0301 000		MOLLA/ SPRING/ RESSORT/ FEDER	1
54	146 0006 00		INTERRUPTORE A CHIAVE/ KEY SWITCH/ INTERRUPTEUR/ SCHALTER/	1
55	145 2696 000	E05.18900	DISTANZIALE/ SPACER/ ENTRETOISE/ ABSTNDSTUECK	1

#OPT 1: PART NUMBER 146 0446 000 FLASHING BEACON



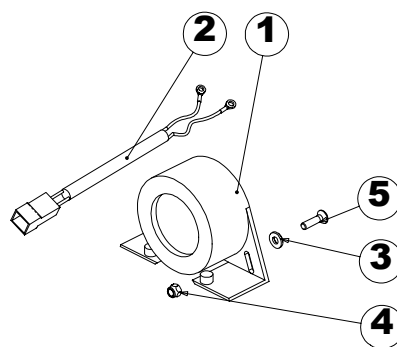
POSIZ ITEM	CODICE CODE	INTERNO INTERNAL	DESCRIZIONE DESCRIPTION	B
1	145 5286 000		Asta luce pivoettente/ Shaft	1
2	145 5287 000		Supporto asta/ Bracket support	1
3	146 0146 00	G06.04310	Luce rotante 24V 21W/ Flashing light 24 V 21W	1
4	145 9170 000	V02.013	Vite TE M8x20/ Screw	1
5	145 9227 000	V02.004	Vite TE M6x20/ Screw	2
6	145 9123 000	V13.005	Dado M8/ Nut	1
7	145 9128 000	V09.004	Rondella piana 6x12/ Washer	2
8	145 9419 000	V01.02703	Vite TCCI M3x25/ Screw	3
9	145 9124 000	V13.06000	Dado autobloccante M3/ Selflocking nut	3
#10	145 5518 000	G11.023	Lampadina 24V 21 W/ Lamp	1
#11	145 9354 000	V20.007	Fascetta 2.5x102 nera / Cable clamp	3

OPT 2: PART NUMBER 145 5251 000 MINI CONTAINER FOR HOPPER (2 required per machine)



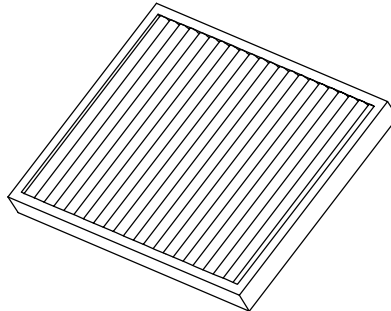
POSIZ ITEM	CODICE CODE	INTERNO INTERNAL	DESCRIZIONE DESCRIPTION	B
1	145 5250 000		Cestello portarifiuti/ Dirt container	1
2	145 5249 000		Maniglia/ Handle	1
3	145 3430 000	F03.49400	Piastrina rinforzo/ Reinforcement plate	2
4	145 9309 000	V03.003	Vite TSPEI M6X20/ Screw	4
5	145 9128 000	V09.004	Rondella piana 6x12.5/ Plain washer	4
6	145 9132 000	V13.019	Dado autobloccante M6/ Self locking nut	4

#OPT 3:PART NUMBER 146 0444 000 BACK- UP ALARM



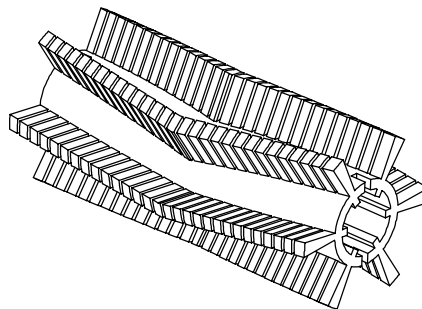
POSIZ ITEM	CODICE CODE	INTERNO INTERNAL	DESCRIZIONE DESCRIPTION	B
1	145 5817 000		Segnalatore acustico/ Alarm	1
2	145 5818 000		Cablaggio/ Harness	1
3	145 9122 000	V11.02400	Rondella svas. D.5x12/ Washer	2
4	145 9287 000	V13.018	Dado autobloccante M5/ Selflocking nut	2
5	145 5030 000	V03.02200	Vite TSPEI M5x20/ Screw	2

OPT 4: FILTERS



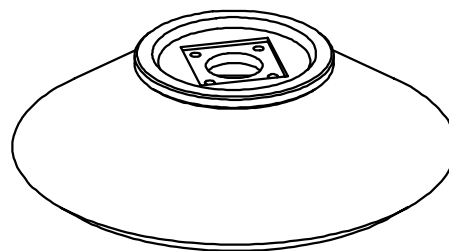
POSIZ ITEM	CODICE CODE	INTERNO INTERNAL	DESCRIZIONE DESCRIPTION	B
1	146 0188 000		Filtro a pannello in carta/ Paper filter standard	1
1	146 0332 000		Filtro in poliestere lavabile/ Washable polyester filter	1
1	146 0367 000		Filtro in antistatico/ Anti static filter (146 0368 000 valid for SW700-SW850 B only)	1

OPT 5: MAIN BROOMS



POSIZ ITEM	CODICE CODE	INTERNO INTERNAL	DESCRIZIONE DESCRIPTION	B
1	146 0298 000		Spazzola centrale standard ppl 0,7/ Main broom std ppl 0,7 Ø (245 x 580 mm) 9.6 x 22.8 inch	1
1	146 0299 000		Spazzola centrale in saggina/ Main broom natural fibre Ø (245 x 580 mm) 9.6 x 22.8 inch	1

OPT 6: SIDE BROOMS

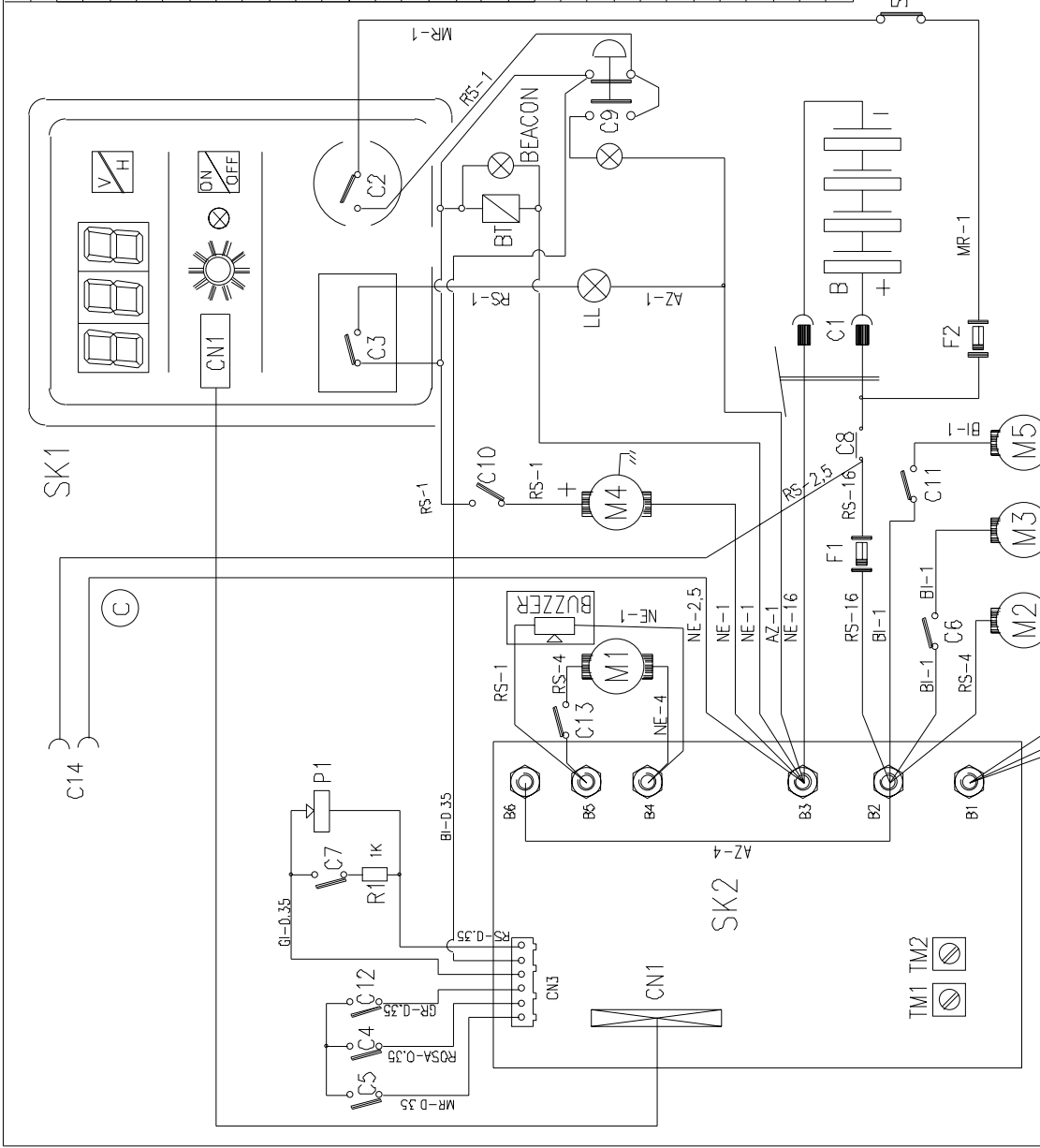


POSIZ ITEM	CODICE CODE	INTERNO INTERNAL	DESCRIZIONE DESCRIPTION	B
1	145 1899 000		Spazzola laterale std ppl 0,8/ Side broom std ppl 0,8 Ø (180 x 420 mm) 70.8 x 16.5 inch	1
1	145 4576 000		Spazzola laterale in saggina/ Side broom natural fibre Ø (180 x 420 mm) 70.8 x 16.5 inch	1
1	145 4959 000		Spazzola laterale misto-acciaio/ Side broom union mix Ø (180 x 420 mm) 70.8 x 16.5 inch	1

- SK1 PLANCIA / DISPLAY ELECTRONIC BOARD
- SK2 SCHEDE DI POTENZA / POWER ELECTRONIC BOARD
- S SWITCH ARRESTO MOTORE / BONNET SWITCH
- B BATTERIA 24V / 24V BATTERY
- BT BOBINA TELERUTTORE / ELECTRO MAGNETIC SWITCH COIL
- C1 CONNETTORE BATTERIA / BATTERY CONNECTOR
- C2 CONTATTO CHIAVE / KEY CONTACT
- C3 CONTATTO LUCE DI LAVORO / WORKING LIGHT CONTACT
- C4 CONTATTO MARCIA INDIETRO / REVERS SPEED CONTACT
- C5 CONTATTO MARCIA AVANTI / FORWARD SPEED CONTACT
- C6 CONTATTO SPAZZOLA LATERALE / SIDE BRUSH CONTACT
- C7 CONTATTO VELOCITÀ RIDOTTA / REDUCED SPEED CONTACT
- C8 CONTATTO TELERUTTORE GENERALE / GENERAL ELECTRO MAGNETIC SWITCH CONTACT
- C9 PULSANTE EMERGENZA / EMERGENCY BUTTON
- C10 PULSANTE SCUOTI FILTRO / FILTER SHAKER BUTTON
- C11 CONTATTO SPAZZOLA LATERALE / SIDE BRUSH CONTACT
- C12 CONTATTO SEDILE / SEAT CONTACT
- C13 CHIAVE DISINERIMENTO TRAZ. / TRACTION DISCONNECTION
- C14 CONNETTORE PER KIT ASPIRAZIONE / SUCTION KIT CONNECTOR
- CN1 FLAT 14 POLI / FLAT CABLE
- F1 FUSIBILE GENERALE 50A / 50A FUSE
- F2 FUSIBILE LUCE 5A / 5A TUBULAR GLASS FUSE
- M1 MOTORE TRAZIONE / DRIVE MOTOR
- M2 MOTORE SPAZZOLA / SUCTION MOTOR
- M3 MOTORE SPAZZOLA LATERALE / SIDE BRUSH MOTOR
- M4 SCUOTI FILTRO / FILTER SHAKER MOTOR
- M5 MOTORE SPAZZOLA LATERALE / SIDE BRUSH MOTOR
- P1 POTENZIOMETRO 4,7 K Ohm / POTENTIOMETER 4.7 K Ohm
- TM1 REGOL. CORRENTE SPAZZ. / SUCTION MOTOR ADJ.
- TM2 REGOL. CORRENTE TRAZIONE / DRIVE MOTOR ADJ.
- LL LUCE DI LAVORO / WORKING LIGHT
- R1 RESISTENZA 1K / RESISTANCE 1K

TABELLA COLORI / COLORS CODES

AZ =	BIEU
B =	WHITE
G =	YELLOW
GR =	GREY
BR =	BROWN
NE =	BLACK
ROSA =	PINK
RS =	RED



<p>Nifisk Advance NIFISK-ADVANCE ITALIA SPA GARDONE V. (LO)</p>	<p>Il presente disegno è di proprietà della NIFISK-ADVANCE che ne tutela i propri diritti in merito. Si legge: Date This drawing is NIFISK-ADVANCE belongs which protects its own rights according to the laws.</p>	<p>Part. No. _____</p>	<p>Revisors</p>
		<p>Description</p> <p>SCHEMA ELETTRICO / ELECTRIC WIRING DIAGRAM</p> <p>SR 1005 B (ADVANCE)</p>	<p>146 code</p> <p>146 0333 000</p> <p>Nome: DONATI</p> <p>Checker: _____</p>



Nilfisk-Advance, Inc.
14600 21st Avenue North
Plymouth, MN, 55447-3408
www.nilfisk-advance.com
Phone: 800-989-2235
Fax: 800-989-6566
©2001 Nilfisk-Advance, Inc.,
Plymouth, MN 55447-3408
Printed in the U.S.A.