



Electronic Service Manuals

This electronic document is provided as a service to our customers. We do not create the contents of the information contained in this document. Should you have detailed questions pertaining to the information contained in this document, you may contact Michco, or the manufacturer which provided the original information in this electronic deliverable. Michco's only part in this electronic deliverable was the electronic assembly process.

You may contact Michco through the following methods:
Phone (517) 484-9312 or (800) 331-3339 MI, OH, IN only
2011 N. High St. -- Lansing, Michigan -- 48906
Fax: (517) 484-9836
Email: CustServ@Michco.com
Web site: www.Michco.Com
Parts Web site: www.FloorMachineParts.Com

Order Parts on Line at:
www.FloorMachineParts.Com

Directly to Parts & Service:
By Email: **Shop@Michco.com**
By Fax: (517) 702-2041
By Voice: Use numbers above.

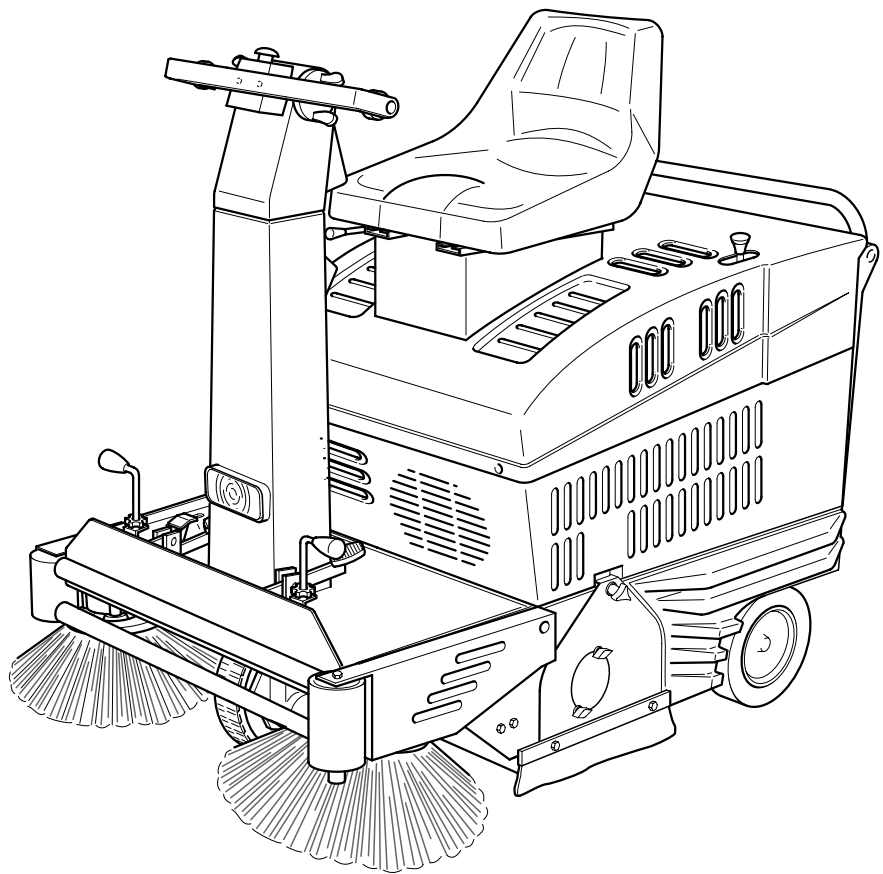
Serving the Cleaning Industry Since 1922

Notice: All copyrighted material remains property of original owners, all trademarks are property of respective owners. Manuals are subject to Manufacturer's reproduction limitations. Originals or reproductions were provided by manufacturers through a request. We make no warranty as to the correctness of information provided in this document and you assume all risk.

PARTS LIST

Advance SR 1000 B

Model 9081616010



**Nilfisk
Advance**

setting standards

ACCESSORIO
OPTIONAL
ACCESSOIRES
ZUBEHÖR

VERSIONE A BATTERIA
BATTERY VERSION
VERSION A BATTERIE
BATTERIE MODELL

POSIZ. ITEM POS. EINSAT.	CODICE INTERNO INTERNAL CODE CODE INTERIEUR INTERNE NUMMER	CODICE CODE CODE NUMMER	DESCRIZIONE DESCRIPTION DESCRIPTION BEZEICHNUNG	B	O
5	F00.65600		PARAURTI / MOUNTING BRACKET / PARACHOCS / STOSSDÄMPFER	1	
6	V11.02200		RONDELLA / WASHER / RONDELLE / BEILAGSCHEIBE	6	
7	V03.004		VITE / SCREW / VIS / SCHRAUBE	6	
8	H02.34670		TAPPETINO / MAT BOARD / TAPIS / TEPPICH	1	
9	F00.62200		PIANTONE / COLUMN / COLONNE / LENKROHR	1	

WHEN ORDERING PARTS

- SPECIFY THE MODEL AND SERIAL NUMBER OF THE MACHINE
- USE THE SPACE BELOW TO RECORD THE MODEL AND SERIAL NUMBER FOR FUTURE REFERENCE

MODEL _____ SERIAL No. _____

LIST OF RECOMMENDED SPARE PARTS

SR 1000 B

56042394(1)99-09

CODICE INTERNO INTERNAL CODE CODE INTÉRIEUR INTERNE NUMMER	CODICE CODE CODE NUMMER	ITEM DESCRIPTION	QUANTITY (for nr. 5 machines)	REF. DRAW	ITEM	CLASS	NOTE
	145 1899 000	SIDE BRUSH PPL	1	F	10	W	
-	145 4845 000	MAIN BRUSH PPL	1	E	27	W	
-	145 0214 000	FRONT FLAP	1	D	1	W	
-	145 1212 000	SIDE FLAP	1	D	30	W	
-	145 1216 000	SIDE FLAP	1	D	28	W	
-	145 1188 000	REAR FLAP	1	D	20	W	
-	145 9200 000	CARTRIDGE FILTER-PAPER	3	B	11	W	
-	145 8360 000	CARBON BRUSH SUCT. MOTOR	1	H	43	OM	
-	145 2224 000	CARBON BRUSH SIDE BRUSH MOTOR	1	F	40	OM	
-	145 0247 000	FRONT WHEEL	1	G	38	OM	
-	145 1190 000	REAR WHEEL	1	G	55	OM	
-	145 0267 000	FLAP CABLE	1	D	11	OM	
-	145 2761 000	BRAKE CABLE	4	G	15	OM	
-	145 8019 000	MAIN BROOM BELT	1	E	13	OM	
-	145 9857 000	SUCTION GASKET	1	B	28	OM	
-	145 0216 000	ROUND BELT FOR FAN	1	J	25	OM	
-	145 0301 000	PULLEY FAN	1	H	10	EM	
-	145 0226 000	ELECTRONIC CARD DISPLAY	1	L	36	EM	
-	145 9421 000	ON/OFF KEY	1	L	9	EM	
-	145 4373 000	CONTROL PANEL	1	L	14	EM	
-	145 0275 000	MOTOR AND GEAR BOX RIGHT SIDE BRUSH	1	F	5	EM	
-	145 2221 000	SHAFT AND GEAR RIGHT SIDE BRUSH MOTOR	1	F	37	EM	
-	145 9179 000	SUCTION FAN	1	J	12	EM	
-	145 8196 000	BALL BEARING	2	H	19	EM	
-	145 0270 000	BALL BEARING	1	E	6	EM	
-	145 0222 000	CHAIN STEARING CROWN	1	G	51	EM	
-	145 8039 000	SUCTION DOOR CABLE	1	B	38	EM	
-	145 0300 000	ELECTROMAGNETIC SWITCH	1	I	28	EM	
-	145 8512 000	RELAY POWER ELECTR. CARD	2	I	19	EM	
-	145 0205 000	ELECTRONIC CARD POWER	1	I	10	EM	
-	145 9817 000	SWITCH	1	L	34	EM	
-	145 8885 000	FILTER SHAKER PUSH BOTTON	1	A	64	EM	
-	145 8854 000	MICROSWITCH SIDE BRUSH	1	F	21	EM	
-	145 8261 000	SPEED REDUCER SWITCH	1	L	26	EM	
-	145 5518 000	LAMP	1	A	11	EM	
-	145 9854 000	FUSE 50Ah	2	I	15	EM	
-	145 5629 000	FLAT CABLE	1	L	27	EM	
-	145 6070 000	POTENTIOMETER	1	L	8	EM	
-	145 9136 000	LOCK FOR DIRT CONTAINER	1	C	2	EM	
-	145 8489 000	ACCELERATOR KNOB	1	L	23	EM	

CLASS: W=NORMAL WEAR PART

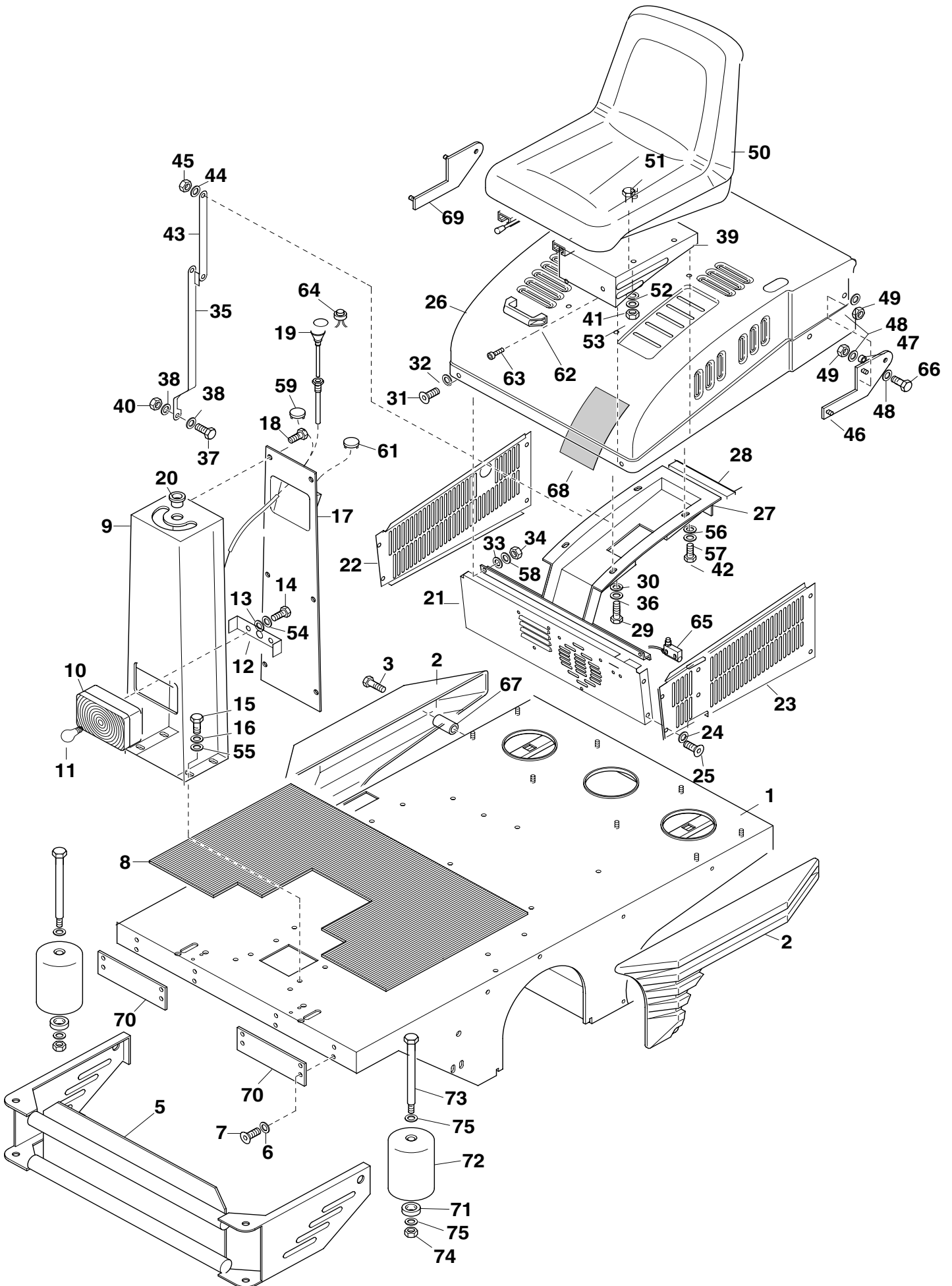
OM=ORDINARY MAINTENANCE

EM=EXTRA-ORDINARY MAINTENANCE

CHASSIS ASSEMBLY

SR 1000 B

56042394(1)99-09



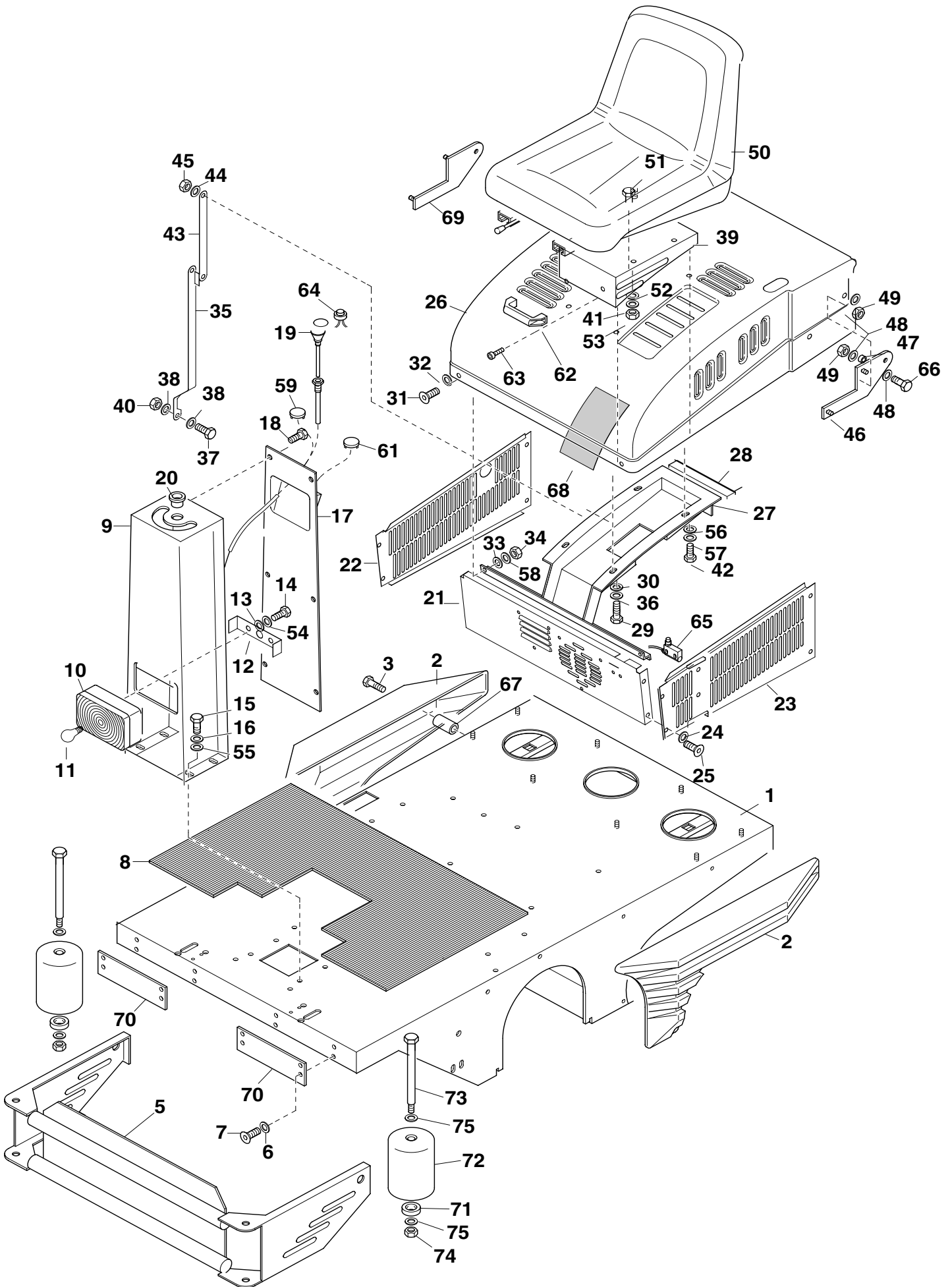
CHASSIS ASSEMBLY

POSIZ. ITEM POS. EINSAT.	CODICE INTERNO INTERNAL CODE CODE INTERIEUR INTERNE NUMMER	CODICE CODE CODE NUMMER	DESCRIZIONE DESCRIPTION DESCRIPTION BEZEICHNUNG	SR 1000 B 56042394(1)99-09 B O
1	F01.21770	145 1186 000	TELAIO / FRAME / CHASSIS / RAHMEN	1
2	H01.26250	145 1243 000	PARAURTI SX / MOUNTING BRACKET / PARACHOCS / STOSSDÄMPFER LEFT	1
2	H01.26240	145 1242 000	PARAURTI DX / MOUNTING BRACKET / PARACHOCS / STOSSDÄMPFER RIGHT	1
3	V03.04410	145 0568 000	VITE / SCREW / VIS / SCHRAUBE	4
5	-	145 5777 000	PARAURTI / MOUNTING BRACKET / PARACHOCS / STOSSDÄMPFER	1
6	V11.02200	145 9308 000	RONDELLA / WASHER / RONDELLE / BEILAGSCHEIBE	6
7	V03.004	145 4488 000	VITE / SCREW / VIS / SCHRAUBE	6
8	H02.34670	145 1254 000	TAPPETINO / MAT BOARD / TAPIS / TEPPICH	1
9	F00.62200	145 2491 000	PIANTONE / COLUMN / COLONNE / LENKROHR	1
10	G06.02400	145 8244 000	FANALE / HEADLIGHT / PHARE / SCHEINWERFER	1
11	G11.023	145 5518 000	LAMPADINA / LAMP / LAMPE / LAMPE	1
12	F03.62500	145 3483 000	STAFFA / BRACKET / SUPPORT / BÜGEL	1
13	V09.05310	145 8280 000	RONDELLA / WASHER / RONDELLE / BEILAGSCHEIBE	2
14	V02.09203	145 4483 000	VITE / SCREW / VIS / SCHRAUBE	2
15	V01.015	145 9759 000	VITE / SCREW / VIS / SCHRAUBE	4
16	V11.005	145 4512 000	RONDELLA / WASHER / RONDELLE / BEILAGSCHEIBE	4
17	H01.26230	145 1240 000	COPERCHIO / LID-COVER / COUVERCLE / DECKEL	1
18	V05.00703	145 1239 000	VITE / SCREW / VIS / SCHRAUBE	6
19	E08.09100	145 8160 000	CAVO STARTER / STARTER CABLE / STARTER CABLE / STARTERKABEL	
20	E01.04800	145 2388 000	BOCCOLA / BUSHING / BAGUE / BÜCHSE	1
21	F00.66340	145 1246 000	CARENATURA INFERIORE / FRONT FRAME / PANNEAU / WANGE	1
22	F00.66350	145 1249 000	FIANCATA DX / SIDE FRAME / PANNEAU / WANGE RIGHT	1
23	F00.66360	145 1250 000	FIANCATA SX / SIDE FRAME / PANNEAU / WANGE LEFT	1
24	V11.02200	145 9308 000	RONDELLA / WASHER / RONDELLE / BEILAGSCHEIBE	8
25	V03.0004	145 4488 000	VITE / SCREW / VIS / SCHRAUBE	8
26	H01.26280	145 1306 000	COFANO / BONNET / CAPOTAGE / MOTORHAUBE (REDORANGEBLUE)	
26	H01.26180	145 1268 000	COFANO / BONNET / CAPOT / MOTORHAUBE (ORANGEBLUERED)	1
27	F00.66380	145 1256 000	SUPPORTO / SUPPORT / SUPPORT /HALTER	1
28	H02.050	145 8049 000	GUARNIZIONE / GASKET / JOINT / DICHTUNG	1
29	V02.015	145 9281 000	VITE / SCREW / VIS / SCHRAUBE	2
30	V09.005	145 9120 000	RONDELLA / WASHER / RONDELLE / BEILAGSCHEIBE	2
31	V03.020	145 1259 000	VITE / SCREW / VIS / SCHRAUBE	2
32	V11.02200	145 9308 000	RONDELLA / WASHER / RONDELLE / BEILAGSCHEIBE	2
33	V09.022	145 9229 000	RONDELLA / WASHER / RONDELLE / BEILAGSCHEIBE	2
34	V13.004	145 9154 000	DADO / NUT / ECROU / MUTTER	2
35	F03.65900	145 0246 000	ASTA INFERIORE / PUSH ROD / TIRANT / STANGE	1
36	V19.005	145 9126 000	RONDELLA / WASHER / RONDELLE / BEILAGSCHEIBE	2
37	V03.003	145 9309 000	VITE / SCREW / VIS / SCHRAUBE	1
38	V09.004	145 9128 000	RONDELLA / WASHER / RONDELLE / BEILAGSCHEIBE	2
39	F00.66370	145 1260 000	SUPPORTO SEDILE / SUPPORT / SUPPORT / HALTER	1
40	V13.019	145 9132 000	DADO / NUT / ECROU / MUTTER	1
41	V09.005	145 9120 000	RONDELLA / WASHER / RONDELLE / BEILAGSCHEIBE	4
42	V02.014	145 9116 000	VITE / SCREW / VIS / SCHRAUBE	2
43	F03.66000	145 0265 000	ASTA SUPERIORE / PUSH ROD / TIRANT / STANGE	1
44	V09.004	145 9128 000	RONDELLA / WASHER / RONDELLE / BEILAGSCHEIBE	2
45	V13.019	145 9132 000	DADO / NUT / ECROU / MUTTER	1

CHASSIS ASSEMBLY

SR 1000 B

56042394(1)99-09



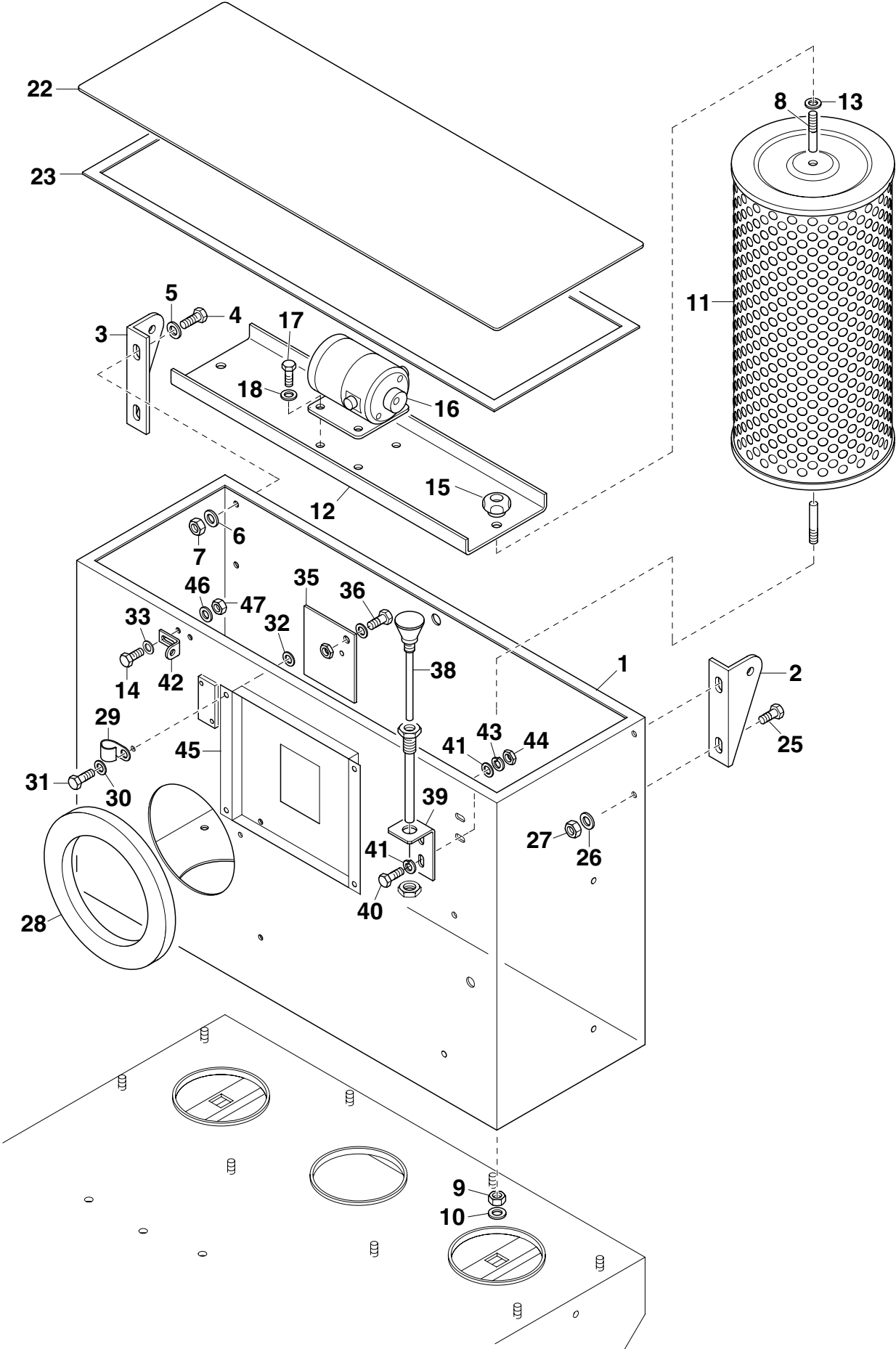
CHASSIS ASSEMBLY

POSIZ. ITEM POS. EINSAT.	CODICE INTERNO INTERNAL CODE CODE INTERIEUR INTERNE NUMMER	CODICE CODE CODE NUMMER	DESCRIZIONE DESCRIPTION DESCRIPTION BEZEICHNUNG	SR 1000 B 56042394(1)99-09 B 0
46	F03.69250	145 1257 000	PIATTO SX / BRACKET / SUPPORT / BÜGEL LEFT	1
47	E05.11100	145 2661 000	DISTANZIALE / SPACER / ENTRETOISE / ABSTANDSSTÜCK	2
48	V09.012	145 9129 000	RONDELLA / WASHER / RONDELLE / BEILAGSCHEIBE	4
49	V13.05900	145 0407 000	DADO / NUT / ECROU / MUTTER	4
50	-	145 1782 000	SEDILE / SEAT / SIEGE / SITZ	1
51	V02.014	145 9116 000	VITE / SCREW / VIS / SCHRAUBE	4
52	V11.005	145 4512 000	RONDELLA / WASHER / RONDELLE / BEILAGSCHEIBE	4
53	V13.005	145 9123 000	DADO / NUT / ECROU / MUTTER	4
54	V11.003	145 4511 000	RONDELLA / WASHER / RONDELLE / BEILAGSCHEIBE	2
55	V09.005	145 9120 000	RONDELLA / WASHER / RONDELLE / BEILAGSCHEIBE	4
56	V09.005	145 9120 000	RONDELLA / WASHER / RONDELLE / BEILAGSCHEIBE	2
57	V11.005	145 4512 000	RONDELLA / WASHER / RONDELLE / BEILAGSCHEIBE	2
58	V11.004	145 9228 000	RONDELLA / WASHER / RONDELLE / BEILAGSCHEIBE	2
59	L02.031	145 4260 000	TAPPO / CAP / BOUCHON / PFROPFEN	2
61	L02.031	145 4260 000	TAPPO / CAP / BOUCHON / PFROPFEN	1
62	L02.08200	145 9752 000	MANIGLIA / HANDLE / POIGNEE / HANDGRIFF	1
63	V01.015	145 9759 000	VITE / SCREW / VIS / SCHRAUBE	2
64	G05.08200	145 8885 000	PULSANTE / PUSH BUTTON / BOUTON POUSSOIR / KNOPF	1
65	G05.008	145 8402 000	MICROINT. / MICROSWITCH / MICROINTERRUPTEUR / MICROSCHALTER	1
66	V02.004	145 9227 000	VITE / SCREW / VIS / SCHRAUBE	2
67	-	145 5031 000	DISTANZIALE / SPACER / ENTRETOISE / ABSTANDSSTÜCK	4
68	-	145 6058 000	ADESIVO BATTERIA / WARNING PLATE / ADHESIF / BATTERIEFOLIE	1
69	F03.692600	145 1258 000	PIATTO DX / RIGHT PLATE / PLAQUE DROIT / RECHE PLATE	1
70	-	145 5811 000	STAFFA PARAURTI / ROLLER BUMPER / ROULEAU DE PROTECTION / DÄMPFER ROLLE	2
71	-	145 6036 000	DISTANZIALE / SPACER / ENTRETOISE / ABSTANDSSTÜCK	2
72	-	145 6032 000	RULLO PARACOLPI	2
73	-	145 6008 000	VITE / SCREW / VIS / SCHRAUBE	2
74	-	145 9167 000	DADO / NUT / ECROU / MUTTER	2
75	-	145 9165 000	RONDELLA / WASHER / RONDELLE / BEILAGSCHEIBE	4

DUST CONTROL FILTER

SR 1000 B

56042394(1)99-09



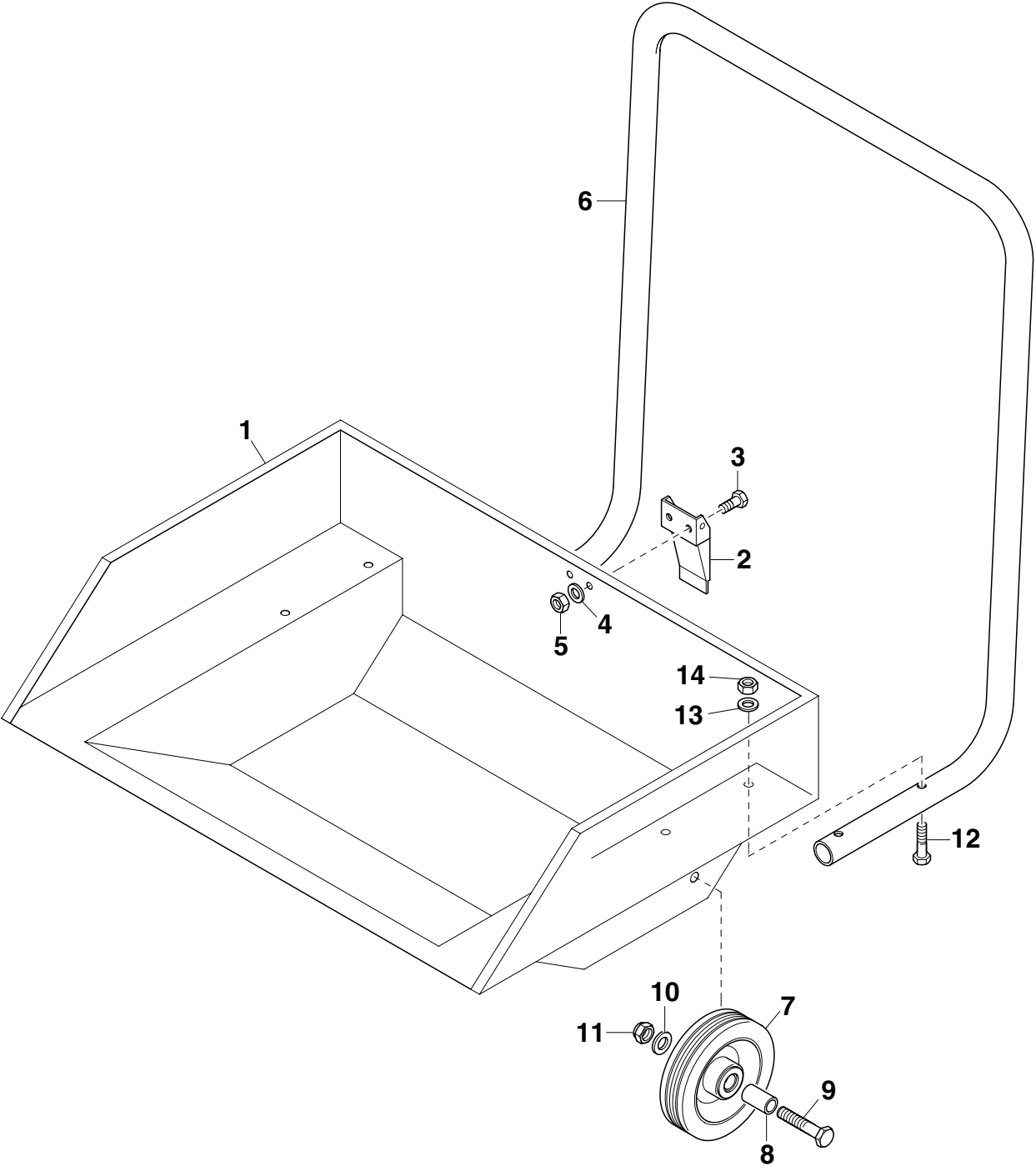
DUST CONTROL FILTER

POSIZ. ITEM POS. EINSAT.	CODICE INTERNO INTERNAL CODE CODE INTERIEUR INTERNE NUMMER	CODICE CODE CODE NUMMER	DESCRIZIONE DESCRIPTION DESCRIPTION BEZEICHNUNG	SR 1000 B 56042394(1)99-09 B O
1	F01.21760	145 1219 000	CASSONE / CONTAINER / CAISSON / BEHÄLTER	1
2	F03.65600	145 3505 000	STAFFA SX / BRAKET / SUPPORT / BÜGEL LEFT	1
3	F03.65700	145 3506 000	STAFFA DX / BRAKET / SUPPORT / BÜGEL RIGHT	1
4	V02.004	145 9227 000	VITE / SCREW / VIS / SCHRAUBE	4
5	V09.022	145 9229 000	RONDELLA / WASHER / RONDELLE / BEILAGSCHEIBE	8
6	V11.004	145 9228 000	RONDELLA / WASHER / RONDELLE / BEILAGSCHEIBE	4
7	V13.004	145 9154 000	DADO / NUT / ECROU / MUTTER	4
8	V16.002	145 9209 000	TIRANTE / TENSION ROD/ TIRANT/ ZUGSTANGE	2
9	V13.005	145 9123 000	DADO / NUT / ECROU / MUTTER	2
10	V09.005	145 9120 000	RONDELLA / WASHER / RONDELLE / BEILAGSCHEIBE	2
11	B02.001	145 9200 000	FILTRO / FILTER / FILTRE / FILTER	3
12	F04.21270	145 1225 000	PIASTRA / PLATE / PLAQUE / LASCHE	1
13	H02.014	145 9199 000	RONDELLA / WASHER / RONDELLE / BEILAGSCHEIBE	3
14	V02.004	145 9227 000	VITE / SCREW / VIS / SCHRAUBE	2
15	L02.13000	145 8484 000	VOLANTINO / KNOB / MOLETTE / HANDRAD	2
16	A00.00901	145 8106 000	SCUOTIFILTRO / FILTERSHAKER / DECOLMATAGE DU FILTRE / FILTERRÜTTLER	1
17	V02.003	145 9261 000	VITE / SCREW / VIS / SCHRAUBE	4
18	V09.004	145 9128 000	RONDELLA / WASHER / RONDELLE / BEILAGSCHEIBE	4
22	F03.65800	145 3507 000	COPERCHIO / LID-COVER / COUVERCLE / DECKEL	1
23	H02.20500	145 0215 000	BANDELLA / MAGNETIC STRIP / JOINT MAGN. / MAGNETISCHER STREIF	1
25	V03.06303	145 1221 000	VITE / SCREW / VIS / SCHRAUBE	2
26	V09.003	145 9133 000	RONDELLA / WASHER / RONDELLE / BEILAGSCHEIBE	2
27	V13.003	145 9134 000	DADO / NUT / ECROU / MUTTER	2
28	H04.03700	145 9857 000	GUARNIZIONE / GASKET / JOINT / DICHTUNG	1
29	V20.03500	145 1223 000	FASCETTA / CLAMP / COLLIER / PASSRING	2
30	V09.022	145 9229 000	RONDELLA / WASHER / RONDELLE / BEILAGSCHEIBE	4
31	V02.002	145 9442 000	VITE / SCREW / VIS / SCHRAUBE	4
32	V11.004	145 9228 000	RONDELLA / WASHER / RONDELLE / BEILAGSCHEIBE	4
33	V09.022	145 9229 000	RONDELLA / WASHER / RONDELLE / BEILAGSCHEIBE	4
35	F03.69390	145 1220 000	PIASTRA / PLATE / PLAQUE / PLATTE	1
36	V04.03600	145 1768 000	VITE / SCREW / VIS / SCHRAUBE	1
38	E08.11800	145 8039 000	CAVO / CABLE / CABLE / KABEL	1
39	F03.62400	145 3482 000	STAFFA / BRAKET / SUPPORT / BÜGEL	1
40	V02.003	145 9261 000	VITE / SCREW / VIS / SCHRAUBE	2
41	V09.022	145 9229 000	RONDELLA / WASHER / RONDELLE / BEILAGSCHEIBE	4
42	F03.66100	145 3508 000	PIASTRINA / PLATE / PLAQUE / LASCHE	1
43	V11.004	145 9228 000	RONDELLA / WASHER / RONDELLE / BEILAGSCHEIBE	2
44	V13.004	145 9154 000	DADO / NUT / ECROU / MUTTER	2
45	F03.69380	145 3570 000	FLANGIA / FLANGE / FLASQUE / FLANSCH	1
46	V11.004	145 9228 000	RONDELLA / WASHER / RONDELLE / BEILAGSCHEIBE	2
47	V13.004	145 9154 000	DADO / NUT / ECROU / MUTTER	2

HOPPER

SR 1000 B

56042394(1)99-09



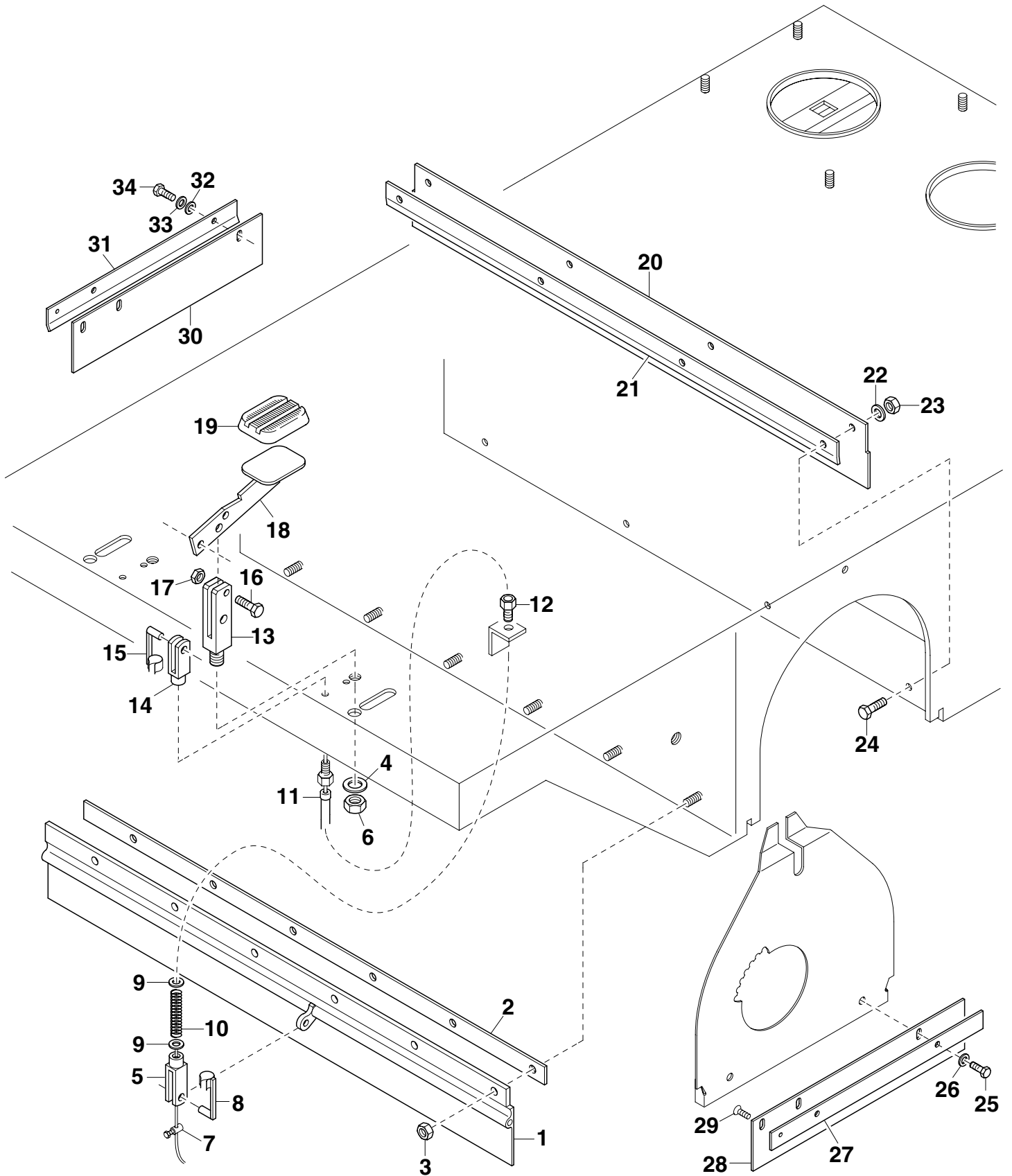
HOPPER

POSIZ. ITEM POS. EINSAT.	CODICE INTERNO INTERNAL CODE CODE INTERIEUR INTERNE NUMMER	CODICE CODE CODE NUMMER	DESCRIZIONE DESCRIPTION DESCRIPTION BEZEICHNUNG	SR 1000 B 56042394(1)99-09 B 0
1	F00.65860	145 0420 000	CASSETTO / DIRT CONTAINER / BAC A DECHETS / BEHÄLTER	1
2	L02.028	145 9136 000	GANCIO / HOOK / CROCHET / HAKEN	1
3	V02.061	145 4478 000	VITE / SCREW / VIS / SCHRAUBE	2
4	V09.05303	145 1261 000	RONDELLA / WASHER / RONDELLE / BEILAGSCHEIBE	2
5	V13.003	145 9134 000	DADO / NUT / ECROU / MUTTER	2
6	F03.69000	145 3544 000	MANIGLIONE / HANDLE / POIGNE / HANDGRIFF	1
7	D00.008	145 9335 000	RUOTA / WHEEL / ROUE / RAD	2
8	E02.051	145 9310 000	DISTANZIALE / SPACER / ENTRETOISE / ABSTANDSSTÜCK	2
9	V02.07600	145 4482 000	VITE / SCREW / VIS / SCHRAUBE	2
10	V09.005	145 9120 000	RONDELLA / WASHER / RONDELLE / BEILAGSCHEIBE	2
11	V13.020	145 9201 000	DADO / NUT / ECROU / MUTTER	2
12	V02.08400	145 9232 000	VITE / SCREW / VIS / SCHRAUBE	4
13	V09.012	145 9129 000	RONDELLA / WASHER / RONDELLE / BEILAGSCHEIBE	4
14	V13.019	145 9132 000	DADO / NUT / ECROU / MUTTER	4

SIDE SKIRTS

SR 1000 B

56042394(1)99-09



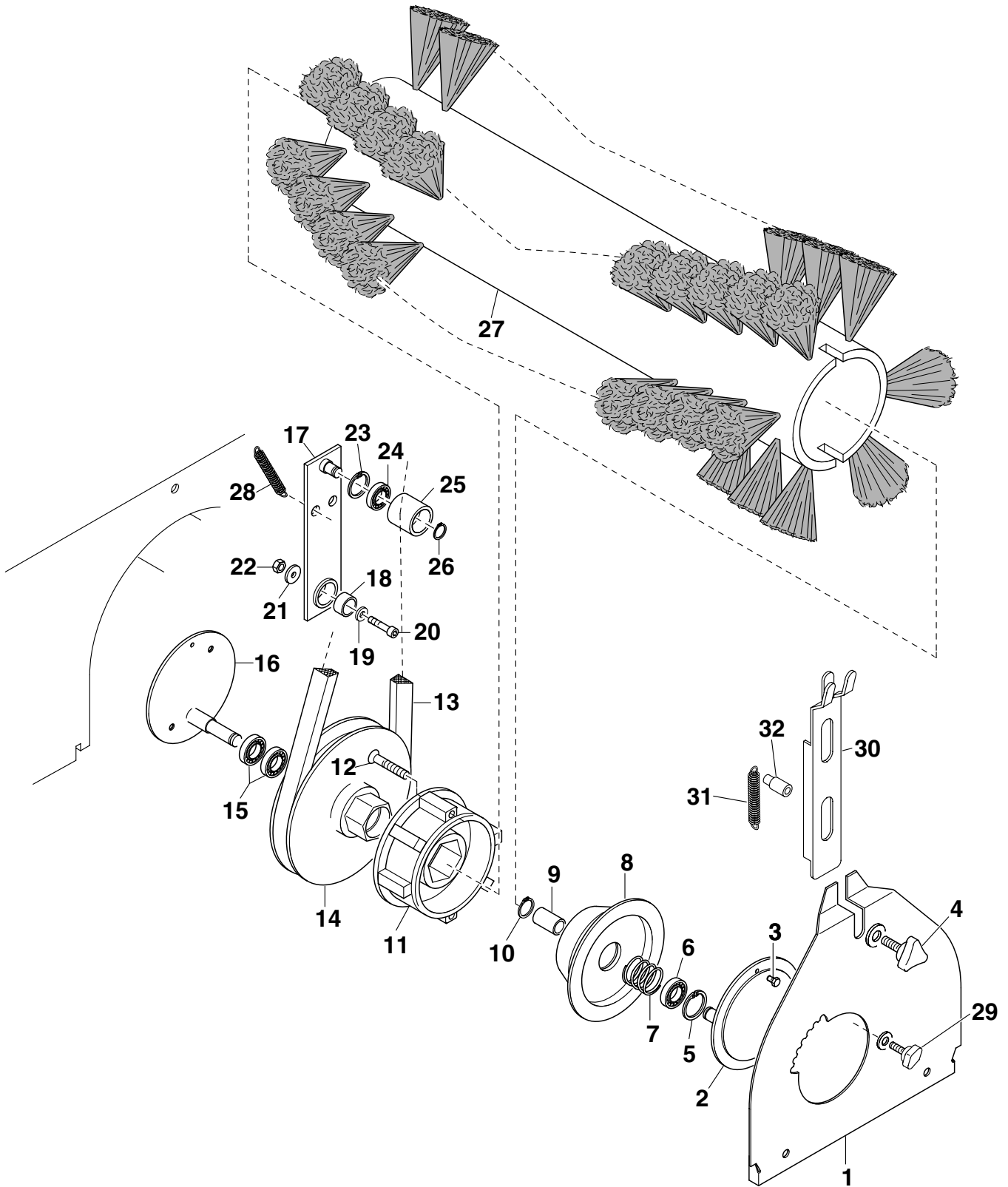
SIDE SKIRTS

POSIZ. ITEM POS. EINSAT.	CODICE INTERNO INTERNAL CODE CODE INTERIEUR INTERNE NUMMER	CODICE CODE CODE NUMMER	DESCRIZIONE DESCRIPTION DESCRIPTION BEZEICHNUNG	SR 1000 B 56042394(1)99-09 B 0
1	H02.30300	145 0214 000	FLAP ANTERIORE / FRONT FLAP / BAVETTE ANT. / VORDER FLAP GUMMI	1
2	F03.61400	145 3473 000	PIATTINA / PLATE / PLAQUE / BAND	1
3	V13.05900	145 0407 000	DADO / NUT / ECROU / MUTTER	6
4	V11.007	145 4513 000	RONDELLA / WASHER / RONDELLE / BEILAGSCHEIBE	1
5	V17.06700	145 9409 000	FORCELLA / FORK / FOURCHETTE / GABELSTÜCK	1
6	V13.007	145 4516 000	DADO / NUT / ECROU / MUTTER	1
7	E08.010	145 8110 000	MORSETTO / CLAMP / SERRE CABLE / BÜGEL	1
8	V17.06800	145 9410 000	CLIPS LUNGA / CIRCLIP / CLIP / KLIPP	1
9	V09.002	145 9144 000	RONDELLA / WASHER / RONDELLE / BEILAGSCHEIBE	2
10	E04.04400	145 9395 000	MOLLA / SPRING / RESSORT / FEDER	1
11	E08.15150	145 0267 000	CAVO / CABLE / CABLE / KABEL	1
12	E08.006	145 9283 000	REGISTRO / REGULATOR / VIS DE REGLAGE / REGLER	1
13	E02.58400	145 2540 000	SUPPORTO / SUPPORT / SUPPORT / HALTER	1
14	V17.06700	145 9409 000	FORCELLA / FORK / FOURCHETTE / GABELSTÜCK	1
15	V17.06800	145 9410 000	CLIPS / CIRCLIP / CLIP / KLIPP	1
16	V02.005	145 1194 000	VITE / SCREW / VIS / SCHRAUBE	1
17	V13.019	145 9132 000	DADO / NUT / ECROU / MUTTER	1
18	F03.61300	145 3472 000	PEDALE / PEDAL / PEDALE / PEDAL	1
19	H02.063	145 8478 000	COPRIPEDALE / PEDAL COVER / HOUSSE PEDALE / PEDALDECKUNG	1
20	H02.34640	145 1188 000	FLAP POSTERIORE / REAR FLAP / BAVETTE AR / HINTERE FLAP GUMMI	1
21	F03.70000	145 1189 000	PIATTINA / PLATE / PLAQUE / BAND	1
22	V09.004	145 9128 000	RONDELLA / WASHER / RONDELLE / BEILAGSCHEIBE	4
23	V13.05900	145 0407 000	DADO / NUT / ECROU / MUTTER	4
24	V03.003	145 9309 000	VITE / SCREW / VIS / SCHRAUBE	4
25	V02.003	145 9261 000	VITE / SCREW / VIS / SCHRAUBE	2
26	V11.004	145 9228 000	RONDELLA / WASHER / RONDELLE / BEILAGSCHEIBE	2
27	F03.70040	145 1217 000	PIATTINA / PLATE / PLAQUE / BAND	1
28	H02.34660	145 1216 000	FLAP SX / LEFT FLAP / BAVETTE GAUCHE / LINKE FLAP GUMMI LEFT	1
29	V03.004	145 4488 000	VITE / SCREW / VIS / SCHRAUBE	2
30	H02.34650	145 1212 000	FLAP DX / RIGHT FLAP / BAVETTE DROIT / RECHTE FLAP GUMMI RIGHT	1
31	F03.69970	145 1213 000	PIATTINA / PLATE / PLAQUE / BAND	1
32	V09.004	145 9128 000	RONDELLA / WASHER / RONDELLE / BEILAGSCHEIBE	2
33	V11.004	145 9228 000	RONDELLA / WASHER / RONDELLE / BEILAGSCHEIBE	2
34	V02.003	145 9261 000	VITE / SCREW / VIS / SCHRAUBE	2

MAIN BROOM

SR 1000 B

56042394(1)99-09



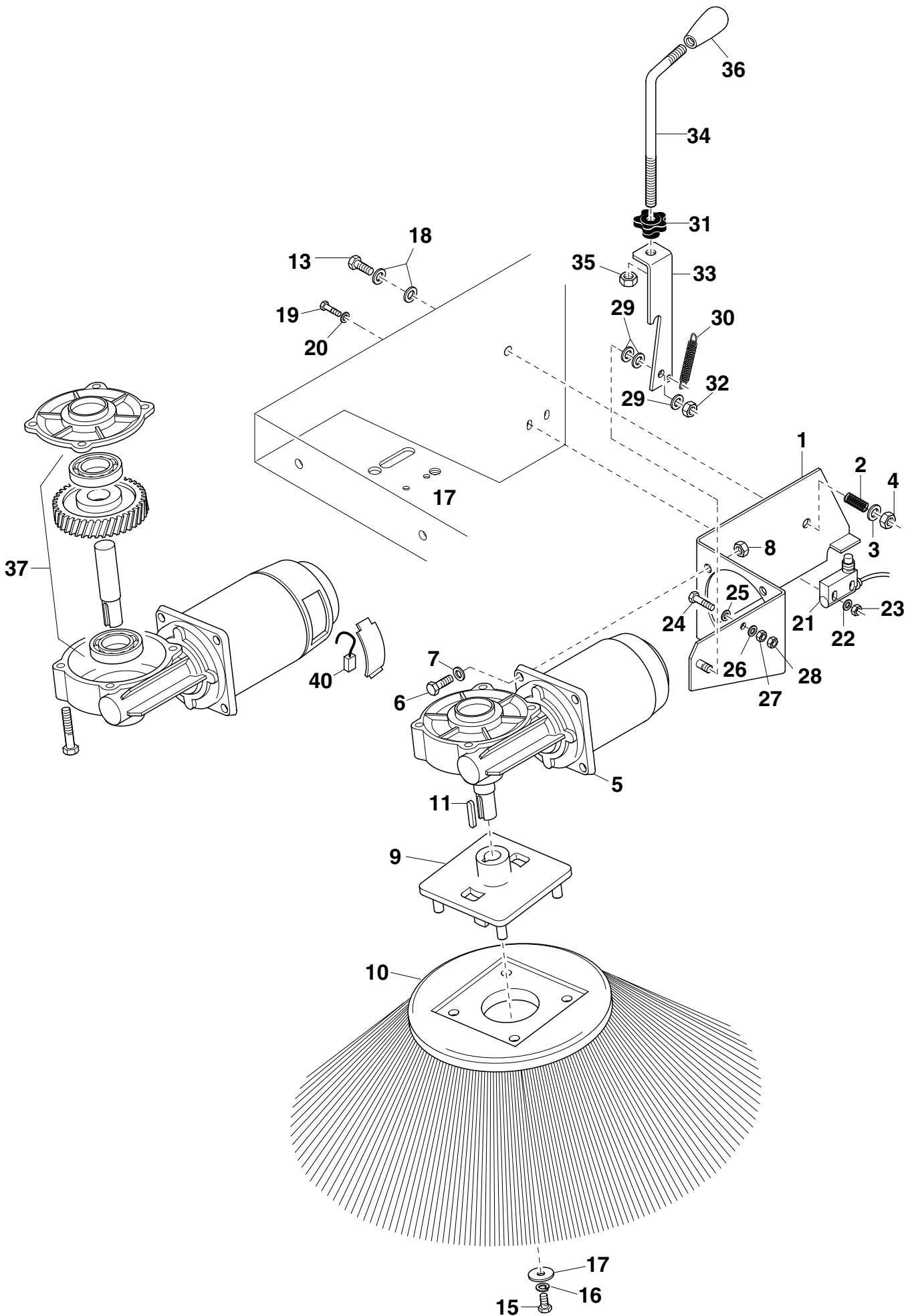
MAIN BROOM

POSIZ. ITEM POS. EINSAT.	CODICE INTERNO INTERNAL CODE CODE INTERIEUR INTERNE NUMMER	CODICE CODE CODE NUMMER	DESCRIZIONE DESCRIPTION DESCRIPTION BEZEICHNUNG	SR 1000 B	
				56042394(1)99-09 B	O
1	F03.70030	145 1215 000	PORTELLO / COVER / COUVERCLE / DECKEL	1	
2	E02.68860	145 0272 000	PERNO / PIN / AXE / STIFT	1	
3	V04.05020	145 0273 000	VITE / SCREW / VIS / SCHRAUBE	1	
4	L02.16060	145 2247 000	VOLANTINO / KNOB / MOLETTE / HANDRAD	1	
5	V14.016	145 1769 000	SEEGER / RETAINING RING / CIRCLIPS / SICHERUNGSRING	1	
6	E00.023	145 0270 000	CUSCINETTO / BALL BEARING / ROULEMENT / LAGER	1	
7	E04.09460	145 0271 000	MOLLA / SPRING / RESSORT / FEDER	1	
8	E02.68870	145 0269 000	MOZZO SX / LEFT HUB / MOYEU GAUCHE / LINKE NABE LEFT	1	
9	E05.12100	145 2663 000	DISTANZIALE / SPACER / ENTRETOISE / ABSTANDSSTÜCK	1	
10	V14.006	145 9187 000	SEEGER / RETAINING RING / CIRCLIPS / SICHERUNGSRING	1	
11	-	145 5661 000	MOZZO DX / RIGHT HUB / MOYEU DROIT / RECHTE NABE RIGHT	1	
12	V05.01403	145 1214 000	VITE / SCREW / VIS / SCHRAUBE	2	
13	H00.020	145 8019 000	CINGHIA / BELT / COURROIE / RIEMEN	1	
14	E03.18320	145 2617 000	PULEGGIA / PULLEY / POULIE / SCHEIBE	1	
15	E00.023	145 0270 000	CUSCINETTO / BALL BEARING / ROULEMENT / LAGER	2	
16	E02.68860	145 0272 000	PERNO / PIN / AXE / STIFT	1	
17	F03.69270	145 1210 000	LEVA / LEVER / LEVIER / HEBEL	1	
18	E01.007	145 9405 000	BOCCOLA / BUSHING / BAGUE / BÜCHSE	1	
19	V11.005	145 4512 000	RONDELLA / WASHER / RONDELLE / BEILAGSCHEIBE	1	
20	V02.013	145 9170 000	VITE / SCREW / VIS / SCHRAUBE	1	
21	V09.005	145 9120 000	RONDELLA / WASHER / RONDELLE / BEILAGSCHEIBE	1	
22	V13.005	145 9123 000	DADO / NUT / ECROU / MUTTER	1	
23	V14.013	145 9189 000	SEEGER / RETAINING RING / CIRCLIPS / SICHERUNGSRINGT	1	
24	E00.007	145 9186 000	CUSCINETTO / BALL BEARING / ROULEMENT / LAGER	1	
25	E02.68910	145 1209 000	RULLO / ROLLER / ROULEAU / ROLLE	1	
26	V14.007	145 9259 000	SEEGER / RETAINING RING / CIRCLIPS / SICHERUNGSRINGT	1	
27	-	145 4845 000	SPAZZ. CENTRALE / CENTRAL BRUSH / BROSSSE CENT. / ZENTRALBÜRSTE	1	
27	-	145 4981 000	SPAZZ. CENTRALE SAGGINA / CENTRAL BRUSH NATURAL FIBRE / BROSSSE CENT. / ZENTRALBÜRSTE MOHRENHIRSE		1
27	-	145 4983 000	SPAZZOLA CENTR. MISTO ACCIAIO / CENTR. BRUSH STEEL MIX / BROSSSE CENT. MIX ACIER / ZENTRAL- BÜRSTE GEMISCHT STAHL		1
28	E04.09490	145 0274 000	MOLLA / SPRING / RESSORT / FEDER	1	
29	L02.16050	145 1211 000	VOLANTINO / KNOB / MOLETTE / HANDRAD	4	
30	F03.70060	145 1251 000	PIASTRINA / PLATE / PLAQUE / PLATTE	1	
31	E04.05200	145 9290 000	MOLLA / SPRING / RESSORT / FEDER	1	
32	E05.19170	145 1252 000	DISTANZIALE / WASHER / RONDELLE / BEILAGSCHEIBE	2	

SIDE BROOM ASSEMBLY

SR 1000 B

56042394(1)99-09



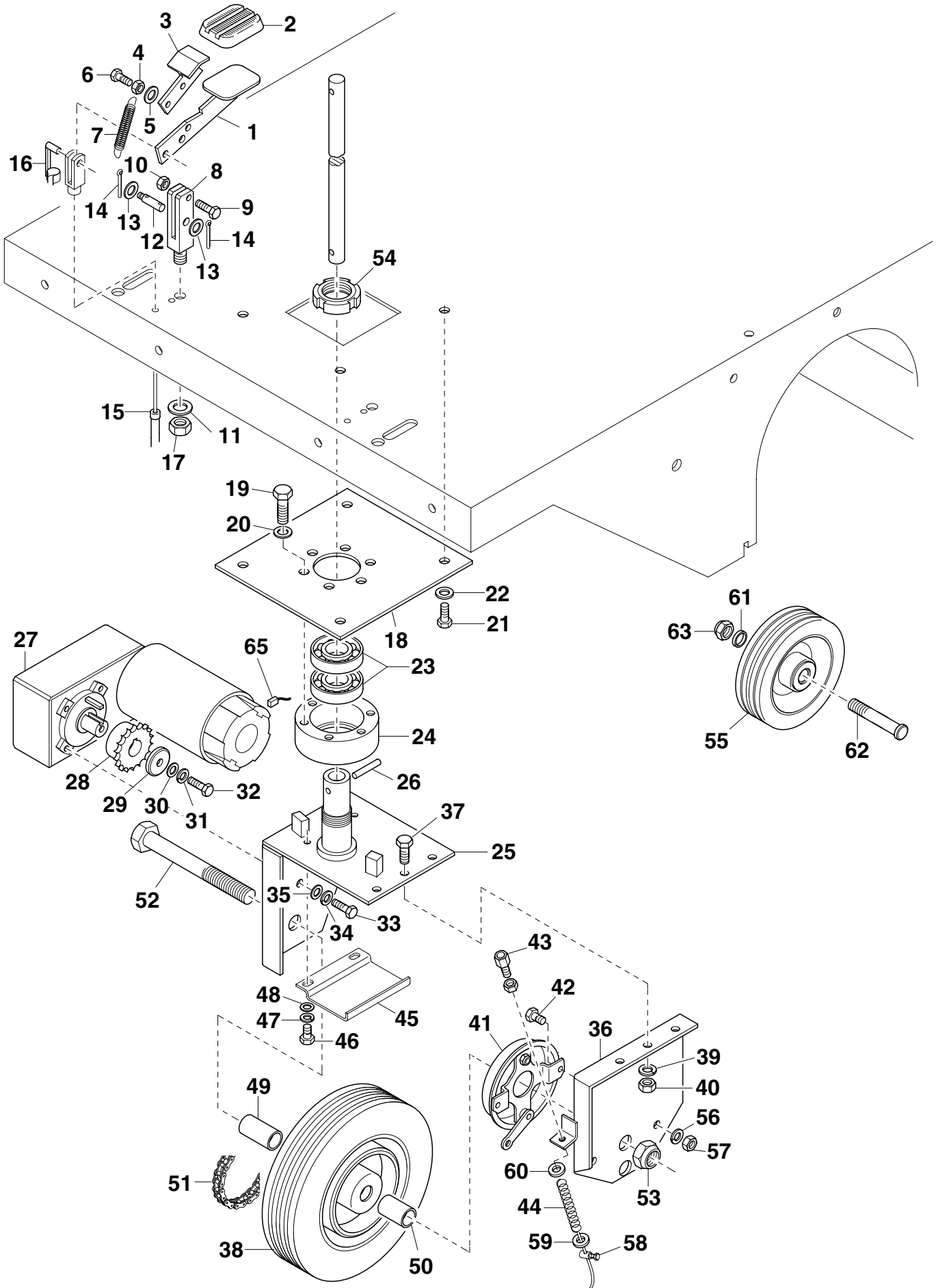
SIDE BROOM ASSEMBLY

POSIZ. ITEM POS. EINSAT.	CODICE INTERNO INTERNAL CODE CODE INTERIEUR INTERNE NUMMER	CODICE CODE CODE NUMMER	DESCRIZIONE DESCRIPTION DESCRIPTION BEZEICHNUNG	SR 1000 B	
				56042394(1)99-09 B	O
1	F03.70010	145 1204 000	STAFFA DX / BRACKET / SUPPORT / BÜGEL RIGHT	1	
1	F03.70020	145 1770 000	STAFFA SX / BRACKET / SUPPORT / BÜGEL LEFT	1	
2	E04.017	145 0276 000	MOLLA / SPRING / RESSORT / FEDER	1	
3	V09.019	145 4505 000	RONDELLA / WASHER / RONDELLE / BEILAGSCHEIBE	1	
4	V13.021	145 4518 000	DADO / NUT / ECROU / MUTTER	1	
5	A05.01600	145 0275 000	MOTORID. DX / REDUCT. GEAR / MOTOREDUC. / VERMINDERUNGSGETRIEBE RIGHT	1	
5	A05.01730	145 2127 000	MOTORID. SX / REDUCT. GEAR / MOTOREDUC. / VERMINDERUNGSGETRIEBE LEFT		1
6	V02.004	145 9227 000	VITE / SCREW / VIS / SCHRAUBE	4	
7	V09.004	145 9128 000	RONDELLA / WASHER / RONDELLE / BEILAGSCHEIBE	4	
8	V13.05900	145 0407 000	DADO / NUT / ECROU / MUTTER	4	
9	-	145 4812 000	MOZZO / HUB / MOYEU / NABE	1	
10	-	145 1899 000	SPAZZOLA / BRUSH / BROSSSE / BUESTERE	1	
10	-	145 4959 000	SPAZZOLA CENTR. MISTO ACCIAIO / CENTR. BRUSH STEEL MIX/ BROSSSE CENT. MIX ACIER / ZENTRAL- BÜRSTE GEMISCHT STAHL		1
10	-	145 4976 000	SPAZZ. CENTRALE SAGGINA / CENTRAL BRUSH NATURAL FIBRE / BROSSSE CENT. / ZENTRALBÜRSTE MOHRENHIRSE		1
11	V17.07000	145 8024 000	LINGUETTA / TAB / CLAVETTE / KEIL	1	
13	V02.12800	145 1771 000	VITE / SCREW / VIS / SCHRAUBE	1	
15	V02.11910	145 8290 000	VITE / SCREW / VIS / SCHRAUBE	1	
16	V11.004	145 9228 000	RONDELLA / WASHER / RONDELLE / BEILAGSCHEIBE	1	
17	V09.012	145 9129 000	RONDELLA / WASHER / RONDELLE / BEILAGSCHEIBE	1	
18	V09.027	145 1208 000	RONDELLA / WASHER / RONDELLE / BEILAGSCHEIBE	2	
19	V02.09503	145 1201 000	VITE / SCREW / VIS / SCHRAUBE	2	
20	V09.05703	145 4508 000	RONDELLA / WASHER / RONDELLE / BEILAGSCHEIBE	2	
21	G05.10300	145 8854 000	MICROINTER. / MICROSWITCH / MICROINTERUPTEUR / MICROSCHALTER	1	
22	V09.002	145 9144 000	RONDELLA / WASHER / RONDELLE / BEILAGSCHEIBE	2	
23	V13.002	145 9145 000	DADO / NUT / ECROU / MUTTER	2	
24	V02.11810	145 1203 000	VITE / SCREW / VIS / SCHRAUBE	1	
25	V09.002	145 9144 000	RONDELLA / WASHER / RONDELLE / BEILAGSCHEIBE	1	
26	V19.002	145 9246 000	RONDELLA / WASHER / RONDELLE / BEILAGSCHEIBE	1	
27	V13.002	145 9145 000	DADO / NUT / ECROU / MUTTER	1	
28	V13.06100	145 9125 000	DADO / NUT / ECROU / MUTTER	1	
29	V09.022	145 9229 000	RONDELLA / WASHER / RONDELLE / BEILAGSCHEIBE	3	
30	E04.05200	145 9290 000	MOLLA / SPRING / RESSORT / FEDER	1	
31	L02.13000	145 8484 000	VOLANTINO / KNOB / MOLETTE / HANDRAD	1	
32	V13.05900	145 0407 000	DADO / NUT / ECROU / MUTTER	1	
33	-	145 5076 000	LEVA DX / LEVER / LEVIER / HEBEL RIGHT	1	
33	-	145 5077 000	LEVA SX / LEVER / LEVIER / HEBEL LEFT	1	
34	E02.66400	145 2573 000	TIRANTE / TENSION ROD / TIRANT / ZUGSTANGE	1	
35	V13.020	145 9201 000	DADO / NUT / ECROU / MUTTER	1	
36	L03.02400	145 9319 000	VOLANTINO / KNOB / MOLETTE / HANDRAD	1	
37	A11.00901	145 2221 000	ALBERO / SHAFT / ARBRE / WELLE	1	
40	A11.04500	145 2224 000	SPAZZOLA / BALAI / BRUSH SHOE / GLEITKONTAKTBÜRSTE	2	

STEERING / DRIVE WHEEL

SR 1000 B

56042394(1)99-09



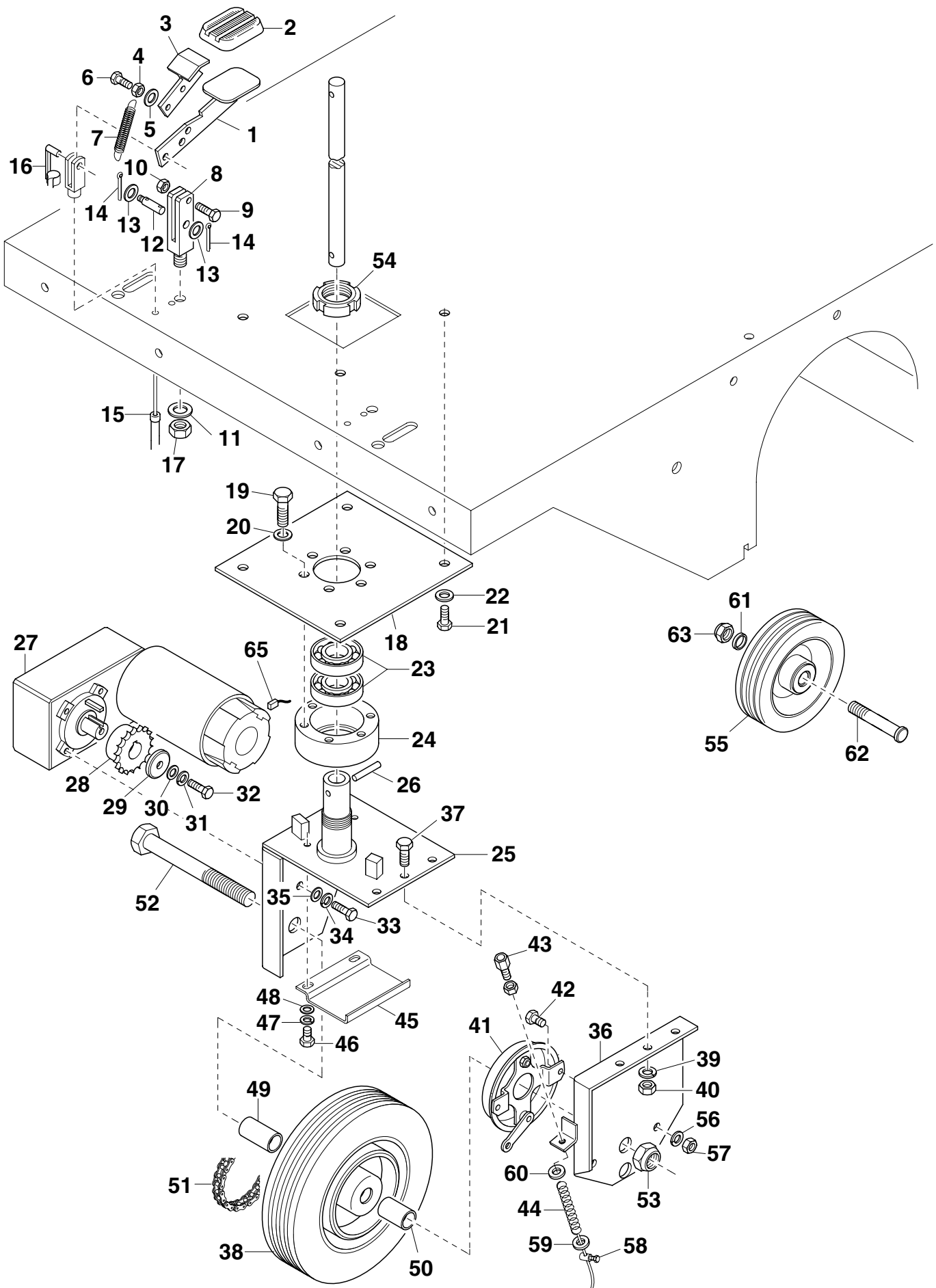
STEERING / DRIVE WHEEL

POSIZ. ITEM POS. EINSAT.	CODICE INTERNO INTERNAL CODE CODE INTERIEUR INTERNE NUMMER	CODICE CODE CODE NUMMER	DESCRIZIONE DESCRIPTION DESCRIPTION BEZEICHNUNG	SR 1000 B 56042394(1)99-09 B O
1	F03.61300	145 3472 000	PEDALE / PEDAL / PEDALE / PEDAL	1
2	H02.063	145 8478 000	COPRIPEDALE / PEDAL COVER / HOUSSE PEDALE / PEDALDECKUNG	1
3	F03.63200	145 3490 000	PEDALE / PEDAL / PEDALE / PEDAL	1
4	V13.003	145 9134 000	DADO / NUT / ECROU / MUTTER	1
5	V11.003	145 4511 000	RONDELLA / WASHER / RONDELLE / BEILAGSCHEIBE	1
6	V02.10503	145 4485 000	VITE / SCREW / VIS / SCHRAUBE	1
7	E04.07400	145 8925 000	MOLLA / SPRING / RESSORT / FEDER	1
8	E02.;58400	145 2540 000	SUPPORTO / SUPPORT / SUPPORT / HALTER	1
9	V02.005	145 1194 000	VITE / SCREW / VIS / SCHRAUBE	1
10	V13.019	145 9132 000	DADO / NUT / ECROU / MUTTER	1
11	V11.007	145 4513 000	RONDELLA / WASHER / RONDELLE / BEILAGSCHEIBE	1
12	E02.58500	145 2541 000	PERNO / PIN / AXE / STIFT	1
13	V09.005	145 9120 000	RONDELLA / WASHER / RONDELLE / BEILAGSCHEIBE	2
14	V15.01203	145 8548 000	COPIGLIA / SPLIT PIN / GOUPILLE / SPLINT	2
15	E08.12601	145 2761 000	CAVO / CABLE / CABLE / KABEL	1
16	V17.008	145 4536 000	CLIP / CIRCLIP / CLIP / KLIPP	1
17	V13.007	145 4516 000	DADO / NUT / ECROU / MUTTER	1
18	F03.61700	145 3476 000	PIASTRA / PLATE / PLAQUE / PLATTE	1
19	V02.014	145 9116 000	VITE / SCREW / VIS / SCHRAUBE	6
20	V09.005	145 9120 000	RONDELLA / WASHER / RONDELLE / BEILAGSCHEIBE	6
21	V02.013	145 9170 000	VITE / SCREW / VIS / SCHRAUBE	4
22	V11.005	145 4512 000	RONDELLA / WASHER / RONDELLE / BEILAGSCHEIBE	4
23	E00.06700	145 0225 000	CUSCINETTO / BALL BEARING / ROULEMENT / LAGER	2
24	E02.65900	145 2568 000	FLANGIA / FLANGE / FLASQUE / FLANSCH	1
25	-	145 5072 000	SUPPORTO / SUPPORT / SUPPORT / HALTER	1
26	V17.08400	145 4546 000	SPINA / PIN / GOUPILLE / STIFT	1
27	-	145 5213 000	MOTORID. OPZIONALE 400W/ REDUCT. GEAR 400W OPTIONAL / ACCESSOIRES MOTOREDUC. 400W / VERMINDERUNGSGETRIEBE 400W ZUBEHÖR	1
65	A11.00800	145 8360 000	SPAZZOLA OPZIONALE 400W/ ACCESSOIRES BALAI 400W/ BRUSH SHOE 400W OPTIONAL / GLEITKONTAKTBÜRSTE ZUBEHÖR 400W	4
28	E06.05100	145 0221 000	PIGNONE / PIGNON / PIGNON / RITZEL	1
29	V09.012	145 9129 000	RONDELLA / WASHER / RONDELLE / BEILAGSCHEIBE	1
30	V09.022	145 9229 000	RONDELLA / WASHER / RONDELLE / BEILAGSCHEIBE	1
31	V11.004	145 9228 000	RONDELLA / WASHER / RONDELLE / BEILAGSCHEIBE	1
32	V02.004	145 9227 000	VITE / SCREW / VIS / SCHRAUBE	1
33	V02.003	145 9261 000	VITE / SCREW / VIS / SCHRAUBE	4
34	V11.004	145 9228 000	RONDELLA / WASHER / RONDELLE / BEILAGSCHEIBE	4
35	V09.004	145 9128 000	RONDELLA / WASHER / RONDELLE / BEILAGSCHEIBE	4
36	-	145 5073 000	SUPPORTO / SUPPORT / SUPPORT / HALTER	1
37	V02.013	145 9170 000	VITE / SCREW / VIS / SCHRAUBE	3
38	D00.06201	145 0247 000	RUOTA / WHEEL / ROUE / RAD	1
39	V11.005	145 4512 000	RONDELLA / WASHER / RONDELLE / BEILAGSCHEIBE	3
40	V13.005	145 9123 000	DADO / NUT / ECROU / MUTTER	3
41	L04.01600	145 8066 000	FRENO / BRAKE / FREIN / BREMSE	1
42	V02.013	145 9170 000	VITE / SCREW / VIS / SCHRAUBE	2
43	E08.006	145 9283 000	REGISTRO / REGULATOR / VIS DE REGLAGE / REGLER	1

STEERING / DRIVE WHEEL

SR 1000 B

56042394(1)99-09



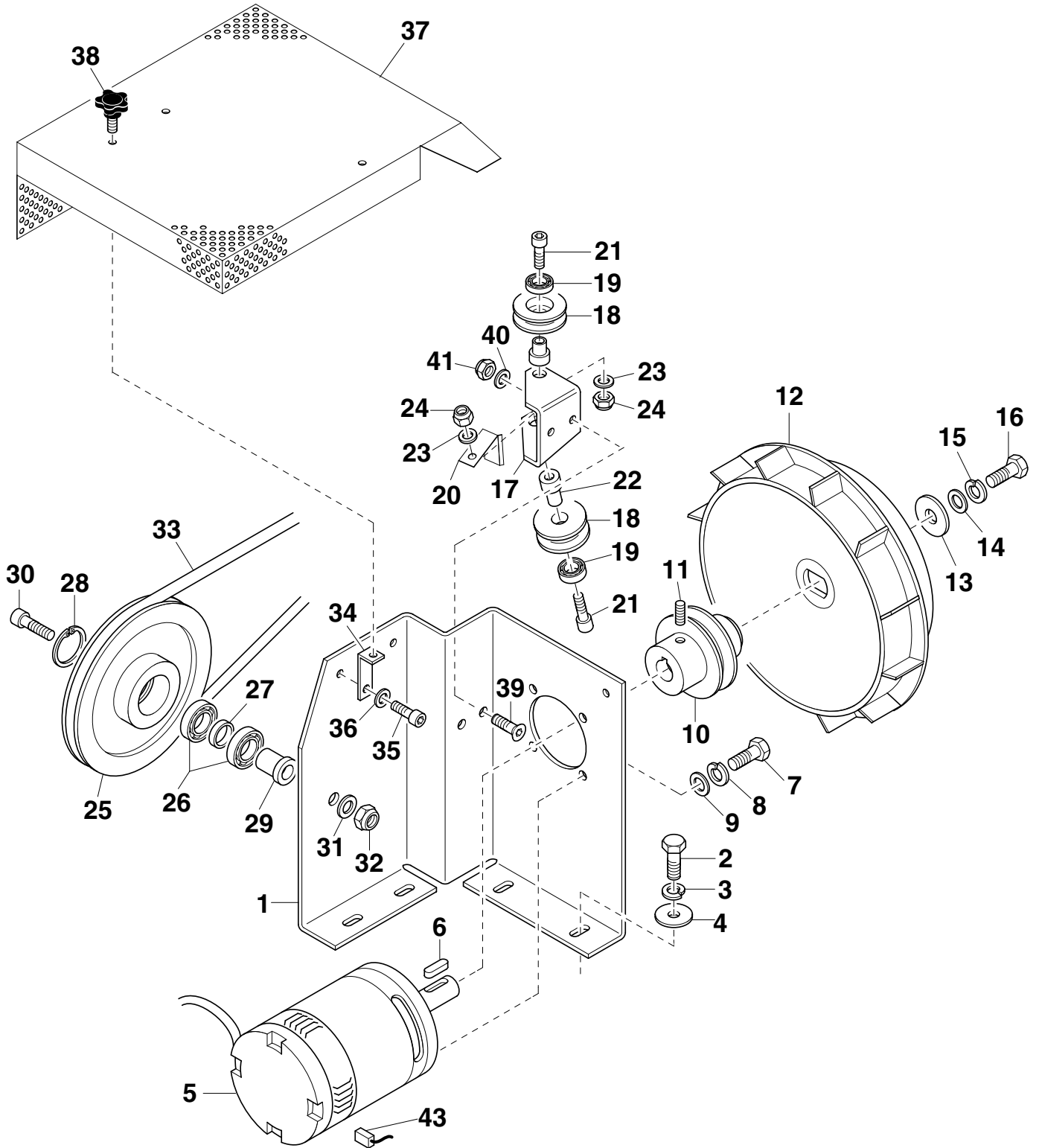
STEERING / DRIVE WHEEL

POSIZ. ITEM POS. EINSAT.	CODICE INTERNO INTERNAL CODE CODE INTERIEUR INTERNE NUMMER	CODICE CODE CODE NUMMER	DESCRIZIONE DESCRIPTION DESCRIPTION BEZEICHNUNG	SR 1000 B 56042394(1)99-09 B	O
44	E04.04400	145 9395 000	MOLLA / SPRING / RESSORT / FEDER	1	
45	F03.61600	145 3475 000	PROTEZIONE/ GUARD / PROTECTION / SCHUTZ	1	
46	V01.007	145 1198 000	VITE / SCREW / VIS / SCHRAUBE	2	
47	V11.004	145 9228 000	RONDELLA / WASHER / RONDELLE / BEILAGSCHEIBE	2	
48	V09.004	145 9128 000	RONDELLA / WASHER / RONDELLE / BEILAGSCHEIBE	2	
49	E02.66600	145 2575 000	DISTANZIALE / SPACER / ENTRETOISE / ABSTANDSSTÜCK	1	
50	E02.66500	145 2574 000	DISTANZIALE / SPACER / ENTRETOISE / ABSTANDSSTÜCK	1	
51	E07.04000	145 0222 000	CATENA / CHAIN / CHAINE / KETTE	1	
52	E02.66700	145 2576 000	PERNO / PIN / AXE / STIFT	1	
53	V13.09400	145 1192 000	DADO / NUT / ECROU / MUTTER	1	
54	V13.035	145 4519 000	GHIERA / NUT / ECROU / RING	1	
55	D00.06680	145 1190 000	RUOTA / WHEEL / ROUE / RAD	2	
56	V11.005	145 4512 000	RONDELLA / WASHER / RONDELLE / BEILAGSCHEIBE	2	
57	V13.005	145 9123 000	DADO / NUT / ECROU / MUTTER	2	
58	E08.018	145 9366 000	MORSETTO / CLAMP / SERRE CABLE / BÜGEL	1	
59	V09.003	145 9133 000	RONDELLA / WASHER / RONDELLE / BEILAGSCHEIBE	1	
60	V09.002	145 9144 000	RONDELLA / WASHER / RONDELLE / BEILAGSCHEIBE	1	
61	E05.024	145 9263 000	DISTANZIALE / SPACER / ENTRETOISE / ABSTANDSSTÜCK	2	
62	E02.69110	145 1191 000	PERNO / PIN / AXE / STIFT	2	
63	V13.07900	145 4612 000	DADO / NUT / ECROU / MUTTER	2	
65	A11.00800	145 8360 000	SPAZZOLA OPZIONALE 400W/ ACCESSOIRES BALAI 400W/ BRUSH SHOE 400W OPTIONAL / GLEITKONTAKTBÜRSTE ZUBEHÖR 400W	4	

IMPELLER ASSEMBLY

SR 1000 B

56042394(1)99-09



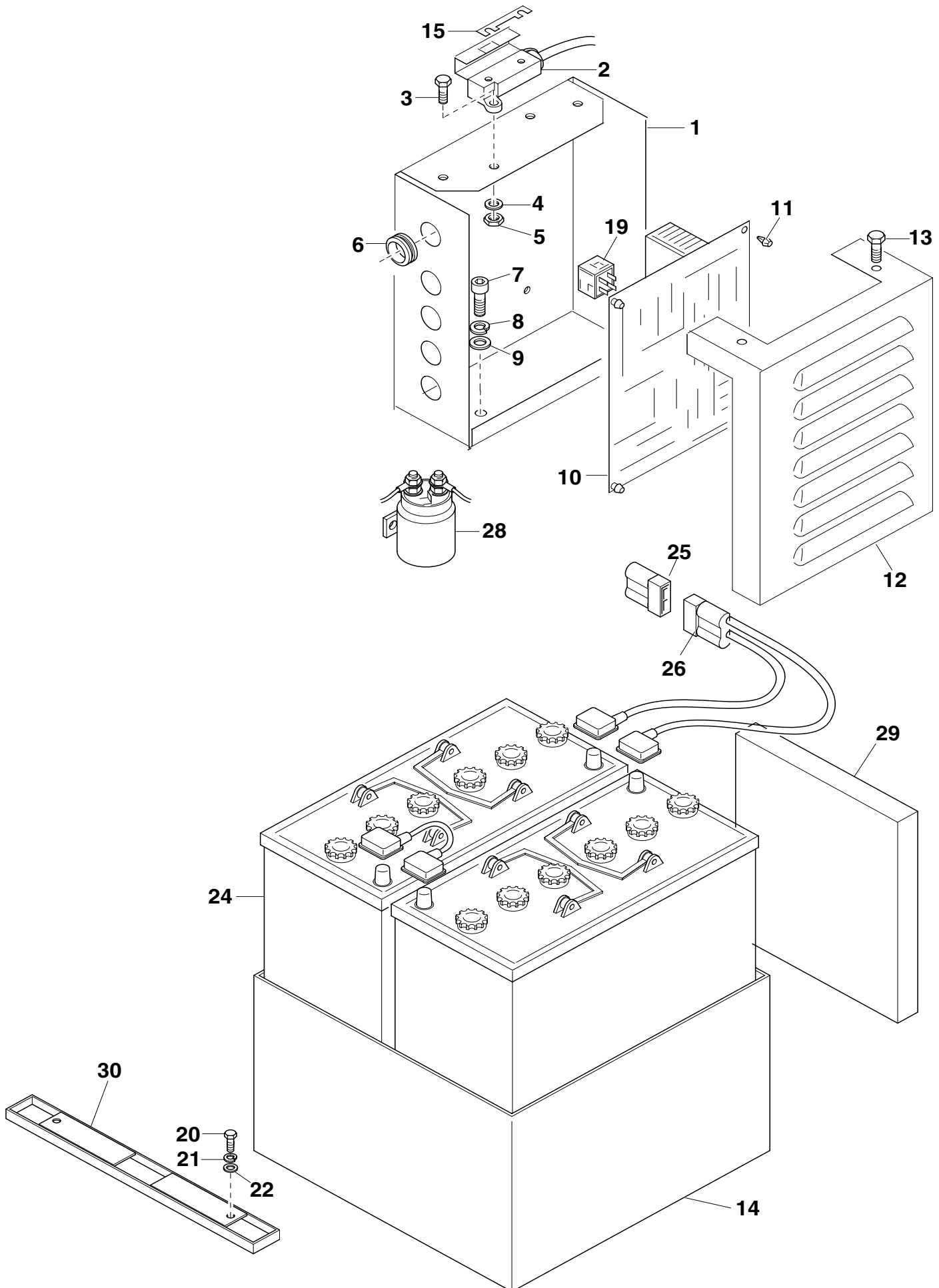
IMPELLER ASSEMBLY

POSIZ. ITEM POS. EINSAT.	CODICE INTERNO INTERNAL CODE CODE INTERIEUR INTERNE NUMMER	CODICE CODE CODE NUMMER	DESCRIZIONE DESCRIPTION DESCRIPTION BEZEICHNUNG	SR 1000 B 56042394(1)99-09 B O
1	F03.67200	145 1234 000	STAFFA / BRAKET / SUPPORT / BÜGEL	1
2	V02.003	145 9261 000	VITE / SCREW / VIS / SCHRAUBE	4
3	V11.004	145 9228 000	RONDELLA / WASHER / RONDELLE / BEILAGSCHEIBE	4
4	V09.012	145 9129 000	RONDELLA / WASHER / RONDELLE / BEILAGSCHEIBE	4
5	A00.05801	145 9985 000	MOTORE / FAN MOTOR / MOTEUR VENTIL. / VENTILATORMOTOR	1
6	V17.041	145 9774 000	CHIAVETTA / KEY / CLAVETTE / KEILNUT	1
7	V02.003	145 9261 000	VITE / SCREW / VIS / SCHRAUBE	4
8	V11.004	145 9228 000	RONDELLA / WASHER / RONDELLE / BEILAGSCHEIBE	4
9	V09.004	145 9128 000	RONDELLA / WASHER / RONDELLE / BEILAGSCHEIBE	4
10	E03.17900	145 0301 000	PULEGGIA / PULLEY / POULIE / SCHEIBE	1
11	V08.001	145 9192 000	GRANO / DOWEL / GOUPILLE / STIFT	1
12	B03.001	145 9179 000	VENTILATORE / FAN / VENTILATEUR / VENTILATORFLUEGEL	1
13	E05.027	145 9180 000	DISTANZIALE / SPACER / ENTRETOISE / ABSTANDSSTÜCK	1
14	V09.022	145 9229 000	RONDELLA / WASHER / RONDELLE / BEILAGSCHEIBE	1
15	V11.004	145 9228 000	RONDELLA / WASHER / RONDELLE / BEILAGSCHEIBE	1
16	V02.005	145 1194 000	VITE / SCREW / VIS / SCHRAUBE	1
17	F03.52900	145 3454 000	STAFFA / BRAKET / SUPPORT / BÜGEL	1
18	E03.18100	145 0278 000	PULEGGIA / PULLEY / POULIE / SCHEIBE	2
19	E00.001	145 8196 000	CUSCINETTO / BALL BEARING / ROULEMENT / LAGER	2
20	F03.35500	145 3359 000	PIASTRINA / PLATE / PLAQUE / LASCHE	1
21	V04.03700	145 4496 000	VITE / SCREW / VIS / SCHRAUBE	2
22	E02.63200	145 2564 000	PERNO / PIN / AXE / STIFT	2
23	V09.006	145 9320 000	RONDELLA / WASHER / RONDELLE / BEILAGSCHEIBE	2
24	V13.021	145 4518 000	DADO / NUT / ECROU / MUTTER	2
25	E03.18000	145 2614 000	PULEGGIA / PULLEY / POULIE / SCHEIBE	1
26	E00.001	145 8196 000	CUSCINETTO / BALL BEARING / ROULEMENT / LAGER	2
27	E05.17200	145 2688 000	DISTANZIALE / SPACER / ENTRETOISE / ABSTANDSSTÜCK	1
28	V14.003	145 9161 000	SEEGER / RETAINING RING / CIRCLIPS / SICHERUNGSRING	2
29	E02.57900	145 9862 000	ALBERO / SHAFT / ARBRE / WELLE	1
30	V04.04200	145 1235 000	VITE / SCREW / VIS / SCHRAUBE	1
31	V09.006	145 9320 000	RONDELLA / WASHER / RONDELLE / BEILAGSCHEIBE	1
32	V13.08603	145 1236 000	DADO / NUT / ECROU / MUTTER	1
33	H00.13900	145 0216 000	CINGHIA / BELT / COURROIE / RIEMEN	1
34	F03.62100	145 3480 000	STAFFA / BRAKET / SUPPORT / BÜGEL	3
35	V02.002	145 9442 000	VITE / SCREW / VIS / SCHRAUBE	3
36	V09.004	145 9128 000	RONDELLA / WASHER / RONDELLE / BEILAGSCHEIBE	3
37	F00.62000	145 2939 000	PROTEZIONE/ GUARD / PROTECTION / SCHUTZ	1
38	L02.16020	145 2244 000	VOLANTINO / KNOB / MOLETTE / HANDRAD	3
39	V03.003	145 9309 000	VITE / SCREW / VIS / SCHRAUBE	2
40	V09.022	145 9229 000	RONDELLA / WASHER / RONDELLE / BEILAGSCHEIBE	2
41	V13.019	145 9132 000	DADO / NUT / ECROU / MUTTER	2
43	A11.00800	145 8360 000	SPAZZOLA / BALAI / BRUSH SHOE/ GLEITKONTAKTBÜRSTE	4

ELECTRICAL SYSTEM

SR 1000 B

56042394(1)99-09



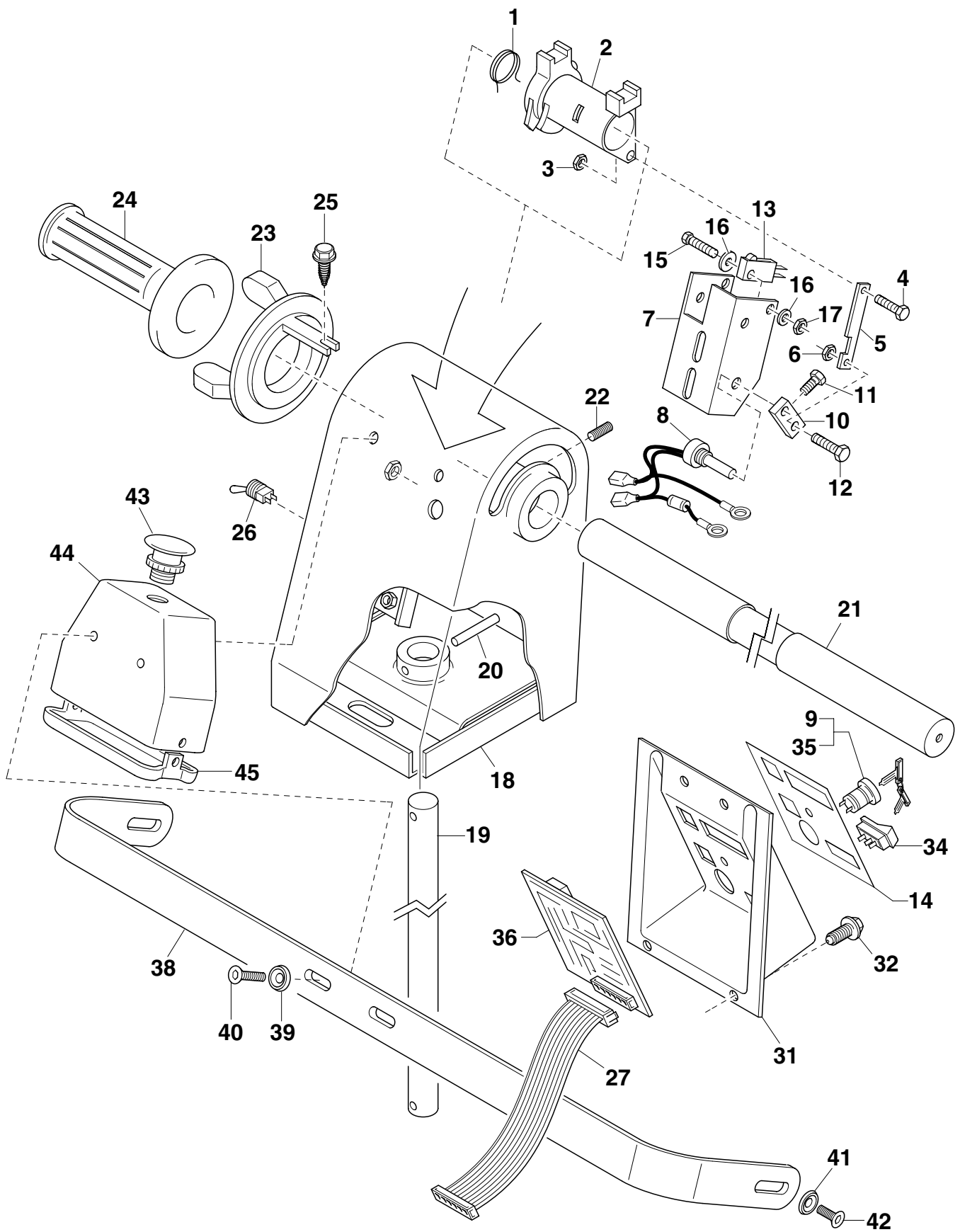
ELECTRICAL SYSTEM

POSIZ. ITEM POS. EINSAT.	CODICE INTERNO INTERNAL CODE CODE INTERIEUR INTERNE NUMMER	CODICE CODE CODE NUMMER	DESCRIZIONE DESCRIPTION DESCRIPTION BEZEICHNUNG	SR 1000 B 56042394(1)99-09 B 0
1	F03.70110	145 1295 000	CASSETTA / BOX / CAISSON / KASTEN	1
2	G11.05000	145 8046 000	PORTAFUSIBILE / FUSE HOLDER / PORTEFUSIBLE / SICHERUNGSTRAEGER	1
3	V02.023	145 9135 000	VITE / SCREW / VIS / SCHRAUBE	2
4	V11.003	145 4511 000	RONDELLA / WASHER / RONDELLE / BEILAGSCHEIBE	2
5	V13.003	145 9134 000	DADO / NUT / ECROU / MUTTER	2
6	G07.01300	145 1237 000	PASSACAVO / CABLE GUIDE / GUIDE CABLE / KABELFUEHRUNG	5
7	V02.003	145 9261 000	VITE / SCREW / VIS / SCHRAUBE	2
8	V11.004	145 9228 000	RONDELLA / WASHER / RONDELLE / BEILAGSCHEIBE	2
9	V09.022	145 9229 000	RONDELLA / WASHER / RONDELLE / BEILAGSCHEIBE	2
10	G02.12500	145 0205 000	SCHEDA / CARD / PLATINE / KARTE	1
11	L02.13700	145 0516 000	DISTANZIALE / SPACER / ENTRETOISE / ABSTANDSSTÜCK	4
12	F03.70100	145 1300 000	COPERCHIO / LID-COVER / COUVERCLE / DECKEL	1
13	V05.00703	145 1239 000	VITE / SCREW / VIS / SCHRAUBE	2
14	H01.25910	145 0504 000	CONTENITORE / CONTAINER / BAC / BEHÄLTER	1
15	G11.05600	145 9854 000	FUSIBILE / FUSE / FUSIBLE / SICHERUNG	1
19	G02.12100	145 8512 000	RELAIS / RELAY / RELAIS / RELAIS	2
20	V02.003	145 9261 000	VITE / SCREW / VIS / SCHRAUBE	2
21	V11.004	145 9228 000	RONDELLA / WASHER / RONDELLE / BEILAGSCHEIBE	2
22	V09.022	145 9229 000	RONDELLA / WASHER / RONDELLE / BEILAGSCHEIBE	2
24	G00.03700	145 0116 000	BATTERIA / BATTERY / BATTERIE / BATTERIE	2
25	-	145 6062 000	PRESA MASCHIO / PLUG / PRISE / STECKER	1
26	-	145 6062 000	SPINA FEMMINA / PLUG / PRISE / STECKER	1
28	G02.10800	145 0300 000	TELERUTTORE / ELECTROMAGN. SWITCH / TELERUPTEUR / SCHALTER	1
29	-	145 6094 000	PANNELLO RESTRAIN	2
30	-	145 4663 000	TELAIO FISSO CONTENITORE BATTERIA	1

CONTROL PANEL

SR 1000 B

56042394(1)99-09



CONTROL PANEL

POSIZ. ITEM POS. EINSAT.	CODICE INTERNO INTERNAL CODE CODE INTERIEUR INTERNE NUMMER	CODICE CODE CODE NUMMER	DESCRIZIONE DESCRIPTION DESCRIPTION BEZEICHNUNG	SR 1000 B 56042394(1)99-09 B O
1	E04.08100	145 8570 000	MOLLA / SPRING / RESSORT / FEDER	1
2	L02.13300	145 8490 000	CAMMA / CAM / CAME / KAMM	1
3	V13.018	145 9287 000	DADO / NUT / ECROU / MUTTER	1
4	V02.09023	145 4483 000	VITE / SCREW / VIS / SCHRAUBE	1
5	H08.00020	145 1155 000	LEVA / LEVER / LEVIER / HEBEL	1
6	V13.018	145 9287 000	DADO / NUT / ECROU / MUTTER	1
7	F03.69370	145 1161 000	STAFFA / BRAKET / SUPPORT / BÜGEL	1
8	-	145 6070 000	POTENZIOMETRO / POTENTIOMETER / POTENTIOMETRE / POTENTIOMETER	1
9	G05.013	145 9421 000	INTERRUTTORE / SWITCH / INTERUPTEUR / SCHALTER	1
10	H08.00010	145 1154 000	BIELLA / CONNECTING ROD / BIELLE / FLUEGELSTANGE	1
11	V05.01910	145 1160 000	VITE / SCREW / VIS / SCHRAUBE	1
12	V02.023	145 9135 000	VITE / SCREW / VIS / SCHRAUBE	1
13	-	145 4799 000	MICROINTER. / MICROSWITCH / MICROINTERUPTEUR / MICROSCHALTER	2
14	P00.14500	145 4373 000	ADESIVO / ADHESIVE / ADHESIF / KLEBSTREIFEN	1
15	V02.09803	145 1162 000	VITE / SCREW / VIS / SCHRAUBE	4
16	V09.001	145 9138 000	RONDELLA / WASHER / RONDELLE / BEILAGSCHEIBE	8
17	V13.06000	145 9124 000	DADO / NUT / ECROU / MUTTER	4
18	F04.21280	145 1227 000	MANUBRIO / HANDLE / GUIDON / LENKER	1
19	E02.68890	145 2593 000	ASTA / PUSHROD / TIRANT / STANGE	1
20	V17.08400	145 4546 000	SPINA / PIN / GOUPILLE / STIFT	1
21	E02.68000	145 2583 000	MANOPOLA / KNOB POIGNEE / DREHKNOPF	1
22	V08.01502	145 1228 000	GRANO / DOWEL / GOUPILLE / STIFT	2
23	L02.13200	145 8489 000	COMANDO / CONTROL / COMMANDE / ANTRIEB	2
24	L02.15500	145 2240 000	MANOPOLA / KNOB POIGNEE / DREHKNOPF	2
25	V05.001	145 9211 000	VITE / SCREW / VIS / SCHRAUBE	2
26	G05.10700	145 8261 000	INTERRUTTORE / SWITCH / INTERUPTEUR / SCHALTER	1
27	-	145 5629 000	CONTATTO / CONTACT / CONTACT / KONTAKT	1
31	H01.24400	145 3955 000	PLANCIA / PANEL / PLANCHE / PANEEL	1
32	V05.00703	145 1239 000	VITE / SCREW / VIS / SCHRAUBE	4
34	G05.02300	145 9817 000	INTERRUTTORE / SWITCH / INTERUPTEUR / SCHALTER	1
36	G02.12600	145 0226 000	SCHEDA / CARD / PLATINE / KARTE	1
38	F03.70050	145 1229 000	PROTEZIONE/ GUARD / PROTECTION / SCHUTZ	1
39	V11.02200	145 9308 000	RONDELLA / WASHER / RONDELLE / BEILAGSCHEIBE	2
40	V03.004	145 4488 000	VITE / SCREW / VIS / SCHRAUBE	2
41	V11.02200	145 9308 000	RONDELLA / WASHER / RONDELLE / BEILAGSCHEIBE	2
42	V03.004	145 4488 000	VITE / SCREW / VIS / SCHRAUBE	2
43	G05.10200	145 8884 000	PULSANTE EMERGENZA / PUSH BUTTON / BOUTON POUSSOIR / KNOPF	1
44	H01.26220	145 1230 000	CARTER PULSANTE EMERGENZA / CRANKCASE / CARTER / GEHAEUSE	1
45	H01.26350	145 1311 000	CHIUSURA CARTER/ PROTECTION SIDE PLATE / FERMATURE / VERSCHLUSS	1

SK1	PLANCIA / DISPLAY ELECTRONIC BOARD
SK2	SCHEDA DI POTENZA / POWER ELECTRONIC BOARD
S	SWITCH ARRESTO MOTORE / BONNET SWITCH
B	BATTERIA 24V / 24V BATTERY
BT	BOBINA TELEUTTORE / ELECTRO MAGNETIC SWITCH COIL
C1	CONNETTORE BATTERIA / BATTERY CONNECTOR
C2	CONTATTO CHIAVE / KEY CONTACT
C3	CONTATTO LUCE DI LAVORO / WORKING LIGHT CONTACT
C4	CONTATTO MARCIA INDIETRO / REVERS SPEED CONTACT
C5	CONTATTO MARCIA AVANTI / FORWARD SPEED CONTACT
C6	CONTATTO SPAZZOLA LATERALE / SIDE BRUSH CONTACT
C7	CONTATTO VELOCITA RIDDOTTA / REDUCED SPEED CONTACT
C8	CONTATTO TELEUTTORE GENERALE / GENERAL ELECTRO MAGNETIC SWITCH CONTACT
C9	PULSANTE EMERGENZA / EMERGENCY BUTTON
C10	PULSANTE SCUOTI FILTRO / FILTER SHAKER BUTTON
C11	CONTATTO SPAZZOLA LATERALE / SIDE BRUSH CONTACT
C12	CONTATTO SEDILE / SEAT CONTACT
CN1	FLAT 14 POLI / FLAT CABLE
F1	FUSIBILE GENERALE 50A / 50A FUSE
F2	FUSIBILE LUCE SA / 5A TUBULAR GLASS FUSE
M1	MOTORE TRAZIONE / DRIVE MOTOR
M2	MOTORE SPAZZOLA / SUCTION MOTOR
M3	MOTORE SPAZZOLA LATERALE / SIDE BRUSH MOTOR
M4	MOTORE SPAZZOLA LATERALE / SIDE BRUSH MOTOR
M5	MOTORE SPAZZOLA LATERALE / SIDE BRUSH MOTOR
P1	POTENZIOMETRO 4,7 K Ohm / POTENTIOMETER 4,7 K Ohm
TM1	REGOL. CORRENTE SPAZZ. / SUCTION MOTOR ADJ.
TM2	REGOL. CORRENTE TRAZIONE / DRIVE MOTOR ADJ.
LL	LUCE DI LAVORO / WORKING LIGHT
R1	RESISTENZA 1K / RESISTANCE 1K

TABELLA COLORI / COLORS CODES

AZ =	BLEU
BI =	WHITE
GI =	YELLOW
GR =	GREY
BR =	BROWN
NE =	BLAK
ROSA =	PINK
RS =	RED

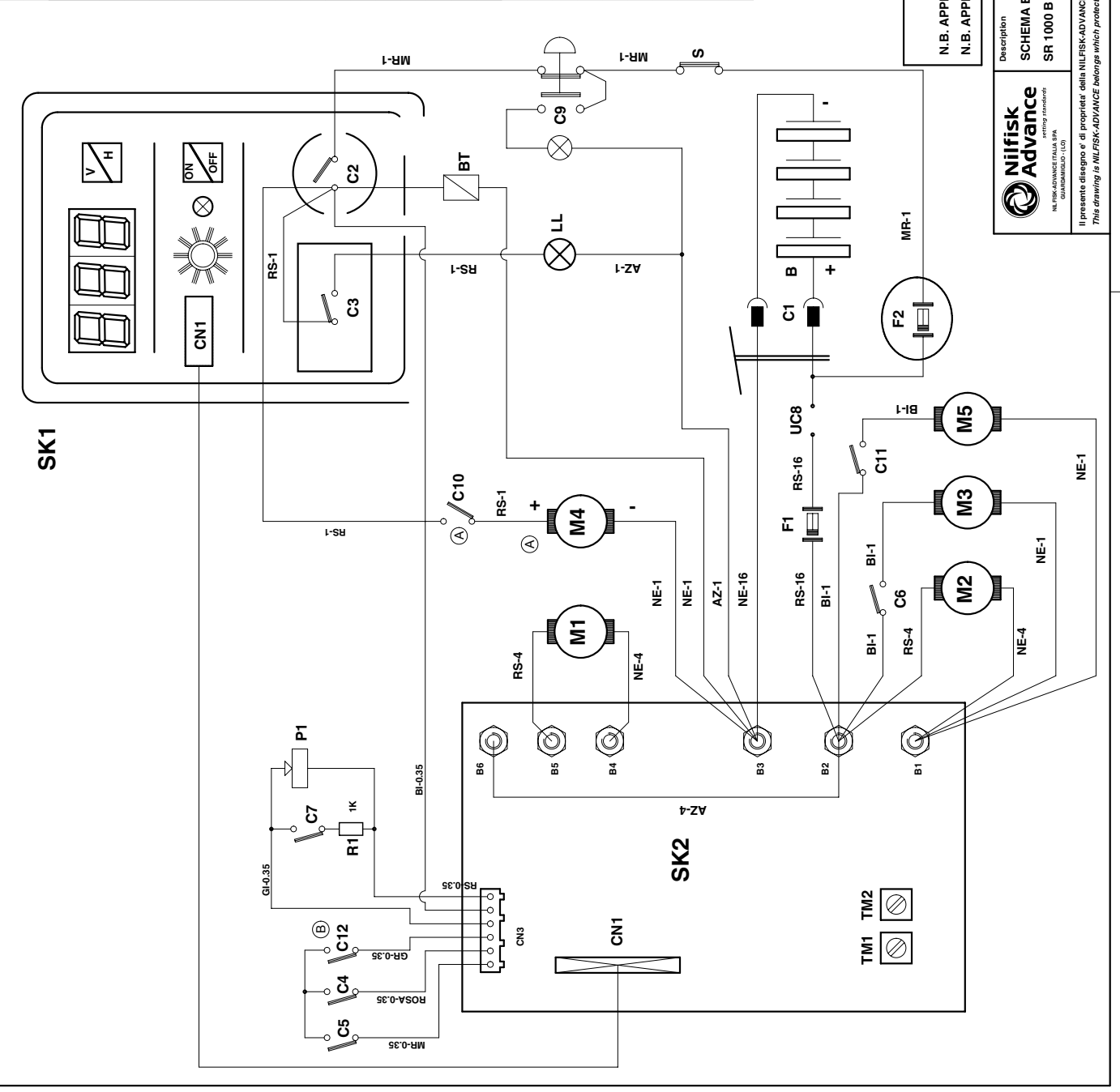
Part No.	A99.33500	Revisions	
146 code	145 5039 000	A	165/97
Name	CERRA	B	243/98
Checker	CREMONES	C	-
Date	13/5/97	D	-
		E	-

Description
SCHEMA ELETTROELETTRICO WIRING DIAGRAM
SR 1000 B

N.B. APPLICABILE DA ND DI MAT. 96310050
N.B. APPLICABILE FROM SER. N. 96310050

Nifrisk Advance
 NE FRISK-ADVANCE ITALIA SPA
 setting technology
 GRANDSPAZIO (LOD)

This drawing is NLFISK-ADVANCE belongs its own rights according to the laws.



*Nilfisk-Advance Italia S.p.A
Località Novella Terza
26862 Guardamiglio (Lodi) Italia
Tel. +39 0377 451124
Fax +39 0377 51443*

COD. 56042394

S32NM5100(1)99-09

Progetto Grafico Visual Division Milano