



Electronic Service Manuals

This electronic document is provided as a service to our customers. We do not create the contents of the information contained in this document. Should you have detailed questions pertaining to the information contained in this document, you may contact Michco, or the manufacturer which provided the original information in this electronic deliverable. Michco's only part in this electronic deliverable was the electronic assembly process.

You may contact Michco through the following methods:
Phone (517) 484-9312 or (800) 331-3339 MI, OH, IN only
2011 N. High St. -- Lansing, Michigan -- 48906
Fax: (517) 484-9836
Email: CustServ@Michco.com
Web site: www.Michco.Com
Parts Web site: www.FloorMachineParts.Com

Order Parts on Line at:
www.FloorMachineParts.Com

Directly to Parts & Service:
By Email: **Shop@Michco.com**
By Fax: (517) 702-2041
By Voice: Use numbers above.

Serving the Cleaning Industry Since 1922

Notice: All copyrighted material remains property of original owners, all trademarks are property of respective owners. Manuals are subject to Manufacturer's reproduction limitations. Originals or reproductions were provided by manufacturers through a request. We make no warranty as to the correctness of information provided in this document and you assume all risk.

RETRIEVER

MODEL 6600G

SERIAL NO. 910996

FORM NO. 042 086

OCTOBER 1982

PARTS LIST



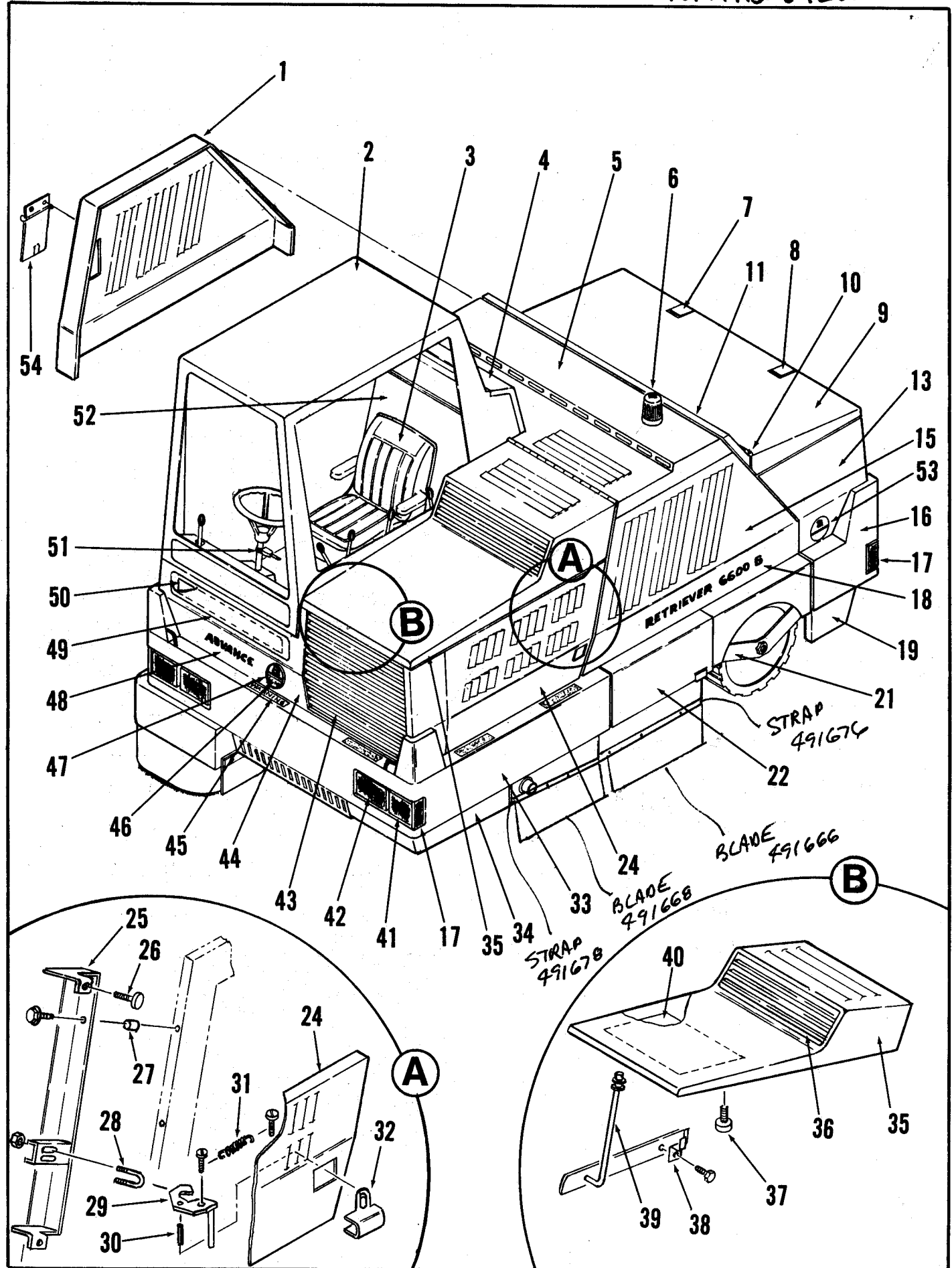
**ADVANCE
MACHINE COMPANY**

INTERNATIONAL HEADQUARTERS, Spring Park, Minnesota 55384 USA
EUROPE, 4 Rue Jean Engling, L - 1466 Luxembourg
CANADA, 1295 Crestlawn Drive, Mississauga, Ontario L4W 1A9



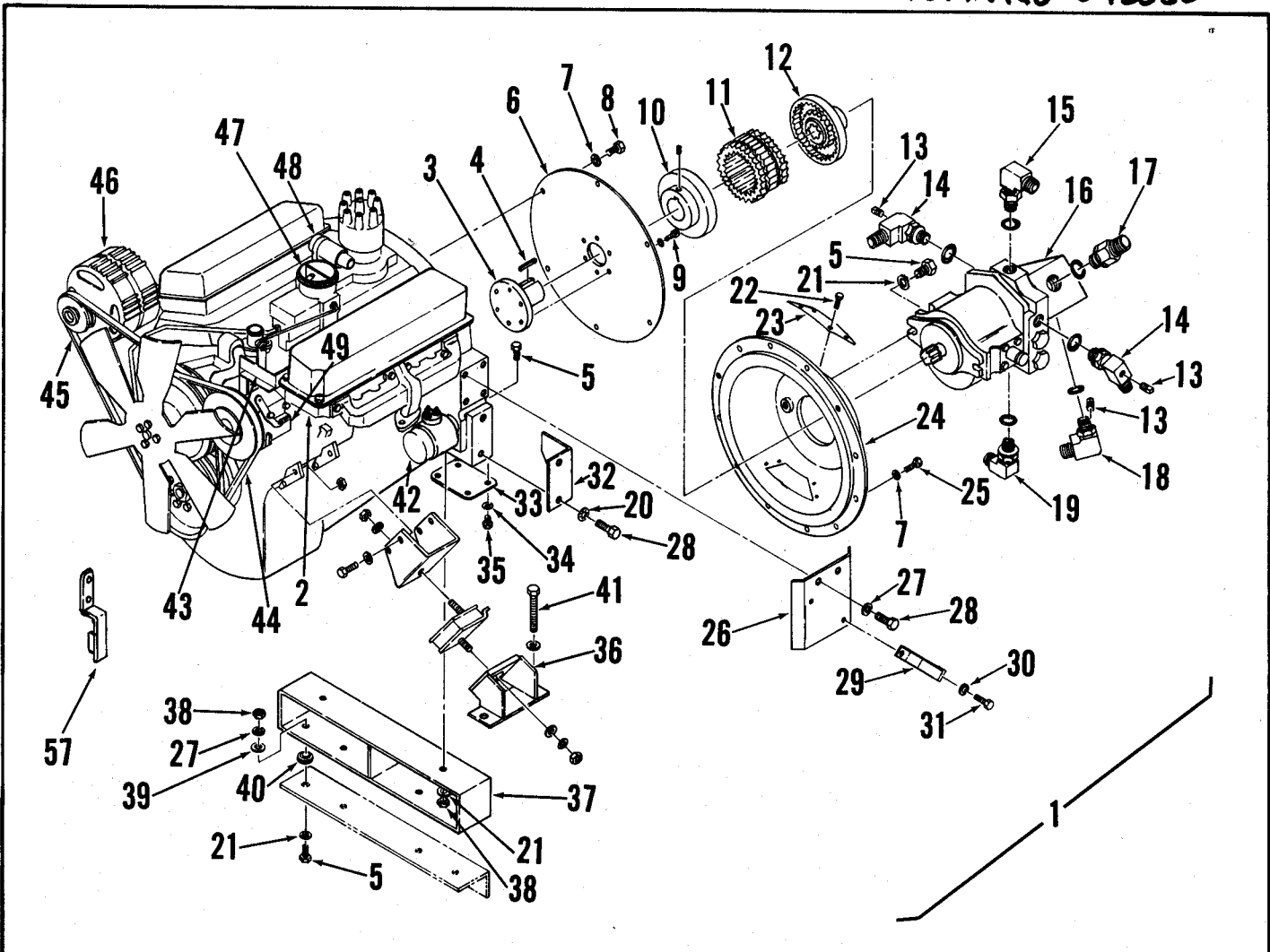
INDEX FOR FORM NUMBER 042086

<u>Description</u>	<u>Location</u>	<u>Page</u>
Brake Pedal & Lever	A11	8
Broom, Main	B1	11
Broom, Side	B3	13
Drive Pedal Linkage	A7	4
Dust Control Filters & Hopper	B11	21
Dust Control Impeller	C5	29
Engine	A6	3
Engine Air Filter, Muffler, Fuel Tank	A8	5
Engine, Diesel	C6	30
Hopper Arms	B10	20
Hydraulic Control Valves	B7	17
Hydraulic Diagram	C4	28
Hydraulic Oil Tank	A12	9
LP System	C9	33
Outer Body	A4	1
Radiator & Steering Column	B5	15
Skirt Lift Linkage & Seat	C1	25
Skirts & Broom Housing	A13	10
Throttle & Choke Controls	B9	19
Wheel, Front Drive	A10	7
Wheel, Rear & Brakes	B13	23
Wiring Diagram, Diesel	C8	32
Wiring Diagram, Gas & LP	C3	27

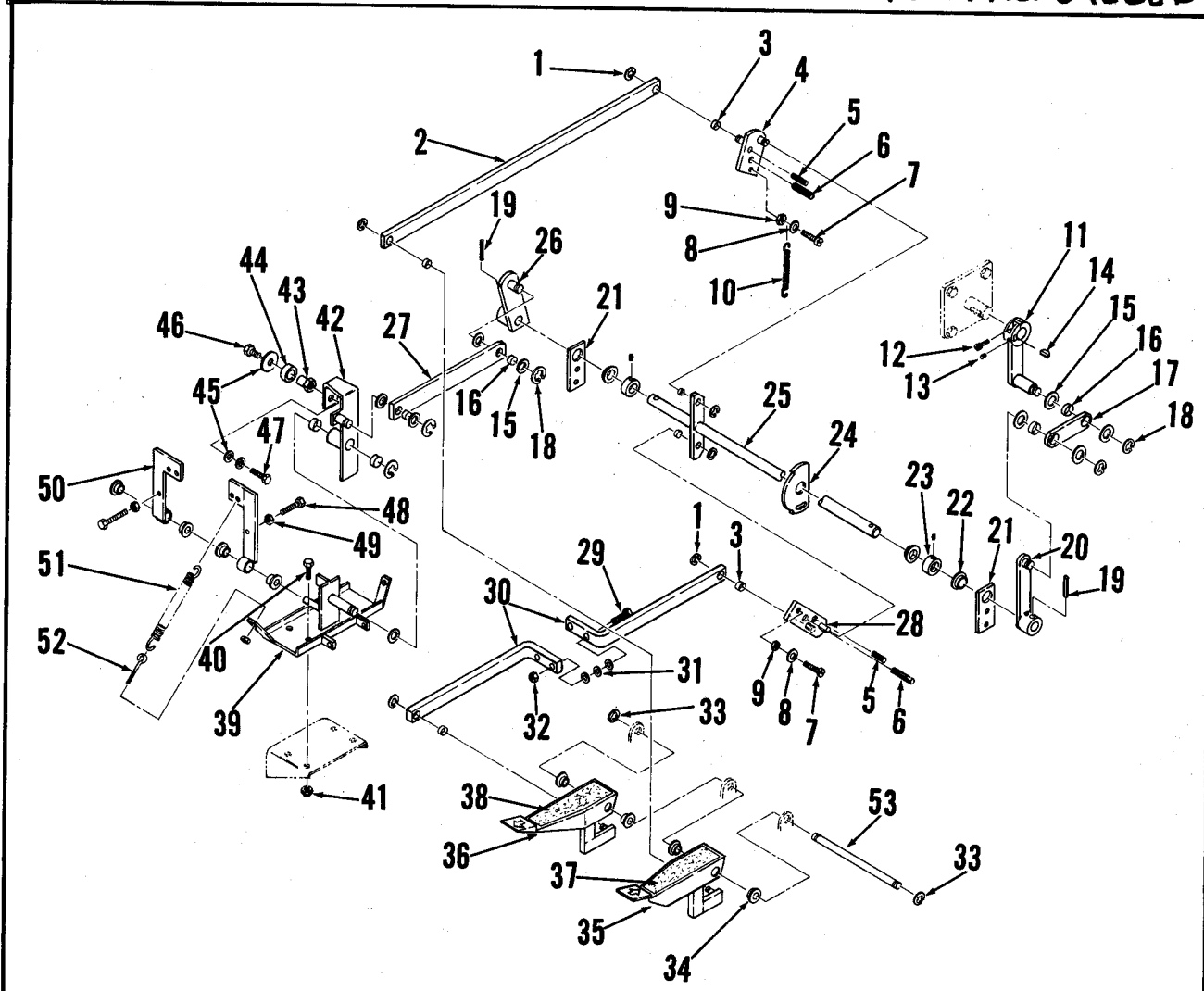


HOUSING ASSEMBLY

ITEM	PART NO	QTY	DESCRIPTION
1	490 890	1	PANEL, RIGHT SIDE
2	491 229	1	GUARD, OVERHEAD
3	490 461	1	SEAT, AIR RIDE
4	491 314	1	PANEL, COVER - OVERHEAD GUARD
5	490 851	1	PANEL, COVER
6	489 639	1	LIGHT, ROTATING WARNING - LENS ONLY #489641/FT56 603, G-9
7		1	HANDLE ASSEMBLY - RIGHT SIDE C/O
	491 152	1	HANDLE, LATCH
	491 158	1	KEEPER, LATCH
	491 140	1	PAWL, RIGHT
	321 125	1	RING, RETAINING
	330 178	1	SPRING
8		1	HANDLE ASSEMBLY - LEFT SIDE C/O
	491 155	1	HANDLE, LATCH
	491 158	1	KEEPER, LATCH
	491 143	1	PAWL, LEFT
	321 125	1	RING, RETAINING
	330 178	1	SPRING
9	491 085	1	COVER, HOPPER
10	491 118	1	HINGE, HOPPER COVER
11	491 165	1	PANEL, REAR
12	491 189	2	STRAP, REAR PANEL (NOT SHOWN)
13	491 079	1	PANEL, HOPPER - LEFT SIDE
14	491 076	1	PANEL, HOPPER - RIGHT SIDE (NOT SHOWN)
15	490 866	1	PANEL, LEFT SIDE
16	490 133	1	BUMPER, REAR
17	454 523	4	LIGHT SOCKET WITH
	454 519	4	BULB, LIGHT
	489 547	4	LENS, AMBER
18	026 020	2	DECAL, "RETRIEVER 6600G"
19	491 073	1	PANEL, BUMPER
20	491 070	1	PANEL, BUMPER (NOT SHOWN)
21	486 597	2	SUPPORT, WHEEL
22	491 003	1	DOOR, LEFT SIDE WITH
		1	DOOR LOCK ASSEMBLY (NOT SHOWN) C/O
	491 062	1	PIN
	491 053	2	HINGE
	368 970	2	BUSHING, OILITE
	112 054	1	SPRING
	491 028	1	LATCH, LEFT
	321 427	1	RING, RETAINING
		1	PIN, SPRING 1/4 X 3/4
23	491 000	1	DOOR, RIGHT SIDE (NOT SHOWN) WITH
		1	HANDLE ASSEMBLY (NOT SHOWN) C/O
	491 062	1	PIN
	491 050	2	HINGE
	368 970	2	BUSHING, OILITE
	112 054	1	SPRING
	491 025	1	LATCH, RIGHT
	321 427	1	RING, RETAINING
		1	PIN, SPRING 1/4 X 3/4
24	490 972	1	DOOR, ENGINE
		1	HANDLE ASSEMBLY - ENGINE DOOR C/O
25	490 988	1	BRACKET
26	386 312	2	BUMPER
27	475 411	3	BUSHING
28	491 158	1	KEEPER, LATCH
29	491 140	1	PAWL
30		1	PIN, SPRING 1/4 X 3/4
31	330 178	1	SPRING, EXTENSION
32	490 985	1	HANDLE, LATCH
33	486 051	1	CHASSIS
34	487 578	1	GUARD
35	490 932	1	HOOD, ENGINE
36	490 950	1	GRILL, ENGINE HOOD
37	386 312	2	BUMPER
38	490 647	1	BRACKET, HOOD PROP
39	490 644	1	ROD, HOOD PROP
40	026 032	1	DECAL, ELECTRICAL
41	489 541	2	LENS, AMBER (FRONT)
	488 544	2	LENS, RED (REAR)
42	481 560	2	HEADLAMP ASSEMBLY
43	490 771	2	GRILL, FRONT
44	490 734	1	PANEL, FRONT
45	026 026	1	DECAL, WARNING
46	026 029	2	DECAL, INSERT "6600G"
47	024 958	2	DECAL, ADVANCE
48	016 543	2	DECAL
49	490 690	1	COVER ASSEMBLY
50	026 035	1	DECAL, HYDRAULIC
51	489 631	1	TURN SIGNAL ASSEMBLY
52	491 708	1	PANEL, BACK
53	015 076	2	DECAL, ADVANCE
54	490 905	1	COVER

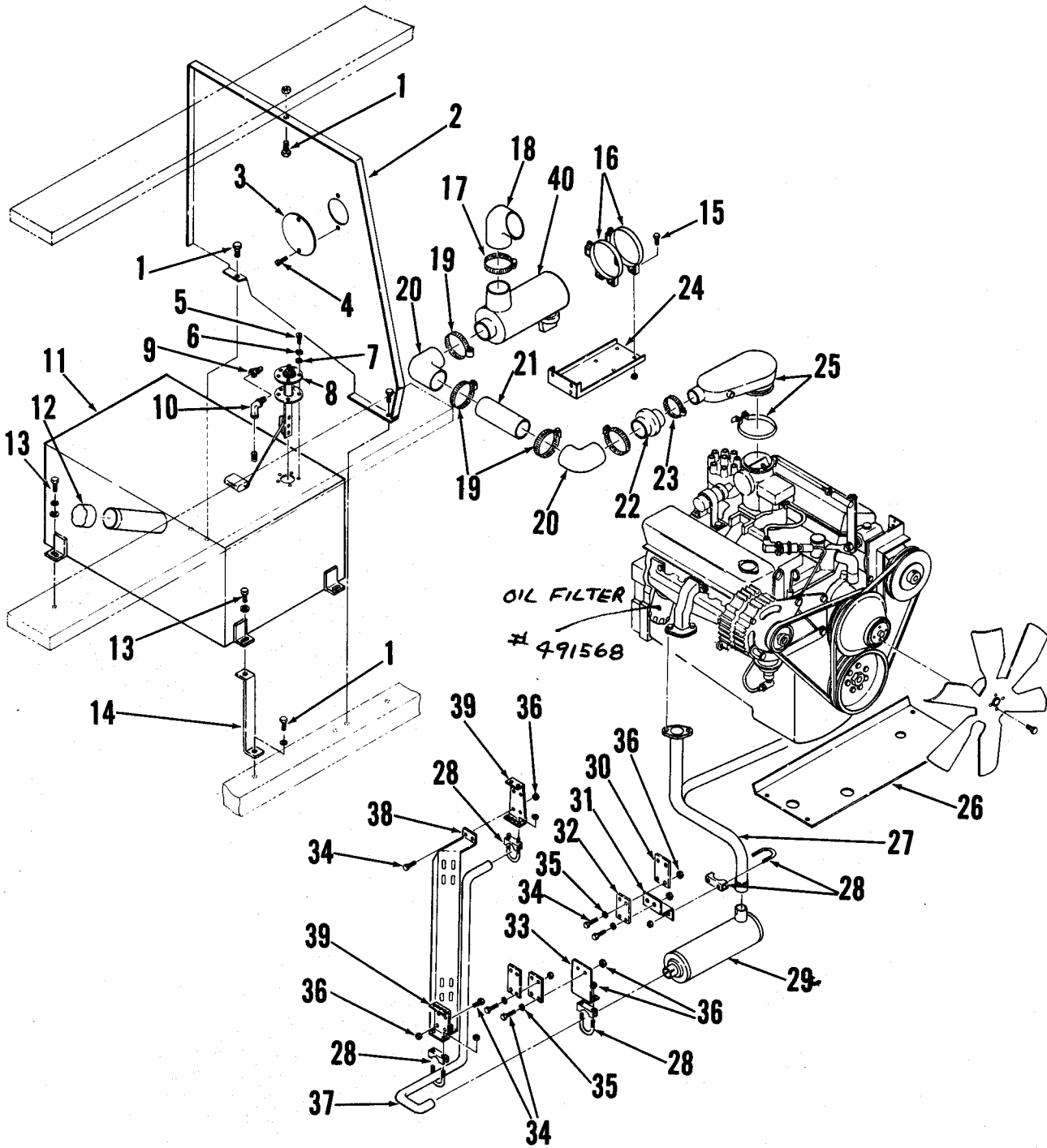


ITEM	PART NO	QTY	DESCRIPTION	ITEM	PART NO	QTY	DESCRIPTION
1	487 152	1	ENGINE ASSEMBLY	37	487 206	1	CHANNEL
2	487 155	1	ENGINE	38		6	NUT, HEX 1/2-13
	487 156	1	PARTS KIT, ENGINE	39	480 742	4	WASHER
3	487 176	1	ADAPTER, DRIVE	40	478 685	4	MOUNT, RUBBER - ENGINE
4	744 469	1	KEY	41		4	BOLT, HEX HD. 1/2-13 X 4"
5		8	BOLT, HEX HD. 1/2-13 X 1 1/2	42	491 602	1	STARTER
6	487 170	1	PLATE, FLYWHEEL	43	487 231	1	BRACKET, GOVERNOR
7		18	WASHER, SHAKEPROOF 3/8	44	491 577	1	BELT, ALTERNATOR
8	487 171	6	SCREW, HEX HD. SPEC. 3/8-16	45	491 556	1	BELT, GOVERNOR
9		6	SCREW, SOC. HD. 3/8-16	46	491 527	1	ALTERNATOR
10	487 182	1	COUPLING	47	491 583	1	CARBURETOR
11	487 185	1	SLEEVE	48	491 546	1	COIL, IGNITION
12	487 179	1	COUPLING	49	491 530	1	GOVERNOR
13	481 546	3	PLUG, 1/8-27 NPT	50	491 539	1	ELECTRONIC IGNITION - NOT SHOWN
14	488 710	2	ELBOW, 90°	51	491 568	1	OIL FILTER - NOT SHOWN
15	488 636	1	ELBOW, 90°	52	491 530	1	REGULATOR - NOT SHOWN
16	488 521	1	PUMP, HYDR-TRANS.	53	491 586	1	FUEL PUMP - NOT SHOWN
17	488 582	1	CONNECTOR ST. THD.	54	481 888	1	SENDER, TEMPERATURE (NOT SHOWN)
18	488 713	1	ELBOW, 90°	55	478 698	1	SENDER, PRESSURE (NOT SHOWN)
19	488 645	1	ELBOW, 90°	56	491 526	1	INSULATOR (NOT SHOWN)
20		12	WASHER, SHAKEPROOF 1/2	57	488 341	1	BRACKET, GOVERNOR LINKAGE
21	487 252	2	WASHER, .53				
22		8	SCREW, HEX HD. #10-24 HP-5 TCS				
23	487 168	2	PLATE, BELL HOUSING				
24	486 030	1	HOUSING, BELL				
25		12	SCREW, HEX HD. 3/8-16 X 3/4				
26	487 435	1	BRACKET				
27		6	WASHER, LOCK 1/2				
28		4	BOLT, HEX HD. 1/2-13 X 1/2				
29	487 437	1	CLAMP, HOSE				
30		2	WASHER, LOCK 1/4				
31		2	SCREW, HEX HD. 1/4-20 X 3/8				
32	487 249	1	PLATE, HOUSING				
33	487 246	1	PLATE, HOUSING				
34		4	WASHER, SHAKEPROOF 5/16				
35		4	SCREW, HEX HD. 5/16-18 X 1/2				
36	487 191	2	MOUNT, ENGINE				



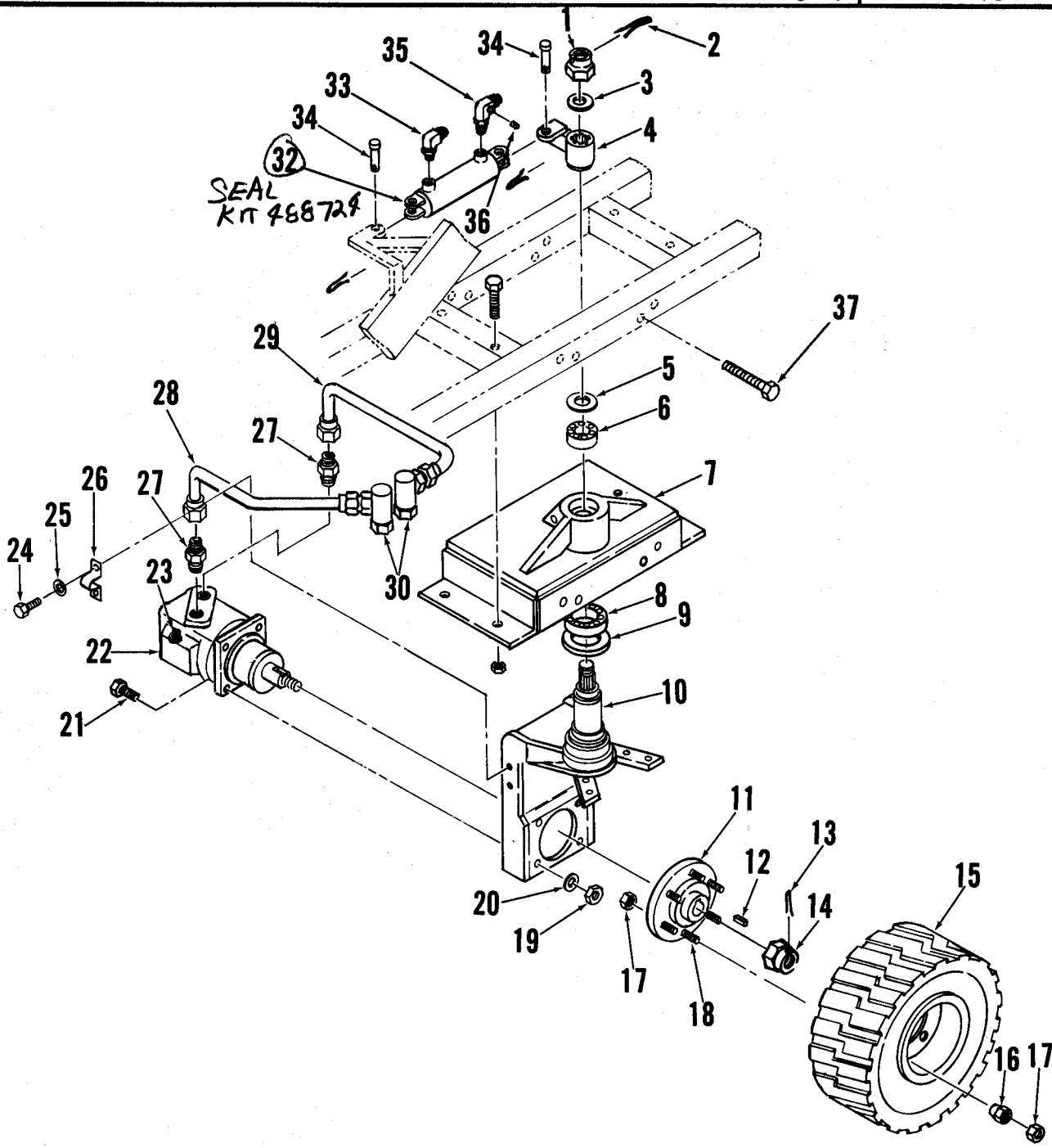
ITEM	PART NO	QTY	DESCRIPTION	ITEM	PART NO	QTY	DESCRIPTION
1	373 797	6	RING, RETAINING	38	457 586	1	MAT, RIGHT PEDAL
2	487 766	1	BAR, LINKAGE	39	487 772	1	BRACKET, PIVOT
3	457 138	6	BEARING, SLEEVE	40		4	SCREW, HEX HD. 1/4-20 X 3/4
4	487 796	1	STOP, UPPER	41		4	NUT, HEX 1/4-20
5		2	PIN, SPRING 1/4 X 3/8	42	487 784	1	LEVER
6		2	PIN, SPRING 5/16 X 2	43	448 057	1	NUT
7		2	SCREW, PAN HD. #10-24 X 5/8	44	372 773	1	BEARING, BALL
8		2	WASHER, FLAT #10	45		2	WASHER, FLAT 5/16
9		2	NUT, HEX #10-24	46		1	SCREW, HEX HD. 5/16-18 X 1/2 W/SHAKEPROOF
10	245 008	1	SPRING, EXTENSION	47		1	SCREW, HEX HD. 5/16-18 X 5/8 W/SHAKE. WASH.
11	487 838	1	LEVER	48		2	SCREW, HEX HD. 5/16-24 X 1 1/2
12		1	SCREW, SOC. HD. 1/4-20 X 1	49		2	NUT, HEX 5/16-24
13		1	SCREW, SET SCREW 1/4-20 X 3/8	50	457 103	2	ARM
14	456 937	1	KEY, WOODRUFF	51	456 847	2	SPRING, EXTENSION
15	159 530	9	WASHER, THRUST	52	457 176	2	BOLT, EYE W/NUT
16	478 781	6	BEARING, SLEEVE	53	457 159	1	PIN
17	487 835	1	BAR, LINKAGE				
18	478 775	6	RING, RETAINING 5/8				
19		4	PIN, ROLL 5/16 X 1 1/2				
20	487 829	1	LEVER				
21	487 826	2	BLOCK, PILLOW				
22	250 414	3	BEARING, FLANGE				
23	367 095	2	COLLAR, SHAFT				
24	487 823	1	PLATE, STOP				
25	487 814	1	LEVER, SHAFT				
26	487 805	1	LEVER				
27	487 781	1	BAR, LINKAGE				
28	487 799	1	STOP, LOWER				
29		2	SCREW, HEX HD. 3/8-16 X 1 1/2				
30	487 769	2	BAR, LINKAGE				
31		3	WASHER, FLAT 3/8				
32		2	NUT, HEX 3/8				
33	321 427	2	RING, RETAINING				
34	324 505	8	BEARING, FLANGE				
35	487 763	1	PEDAL, LEFT				
36	487 751	1	PEDAL, RIGHT				
37	457 585	1	MAT, LEFT PEDAL				

ACCELERATOR LINKAGE ASSEMBLY



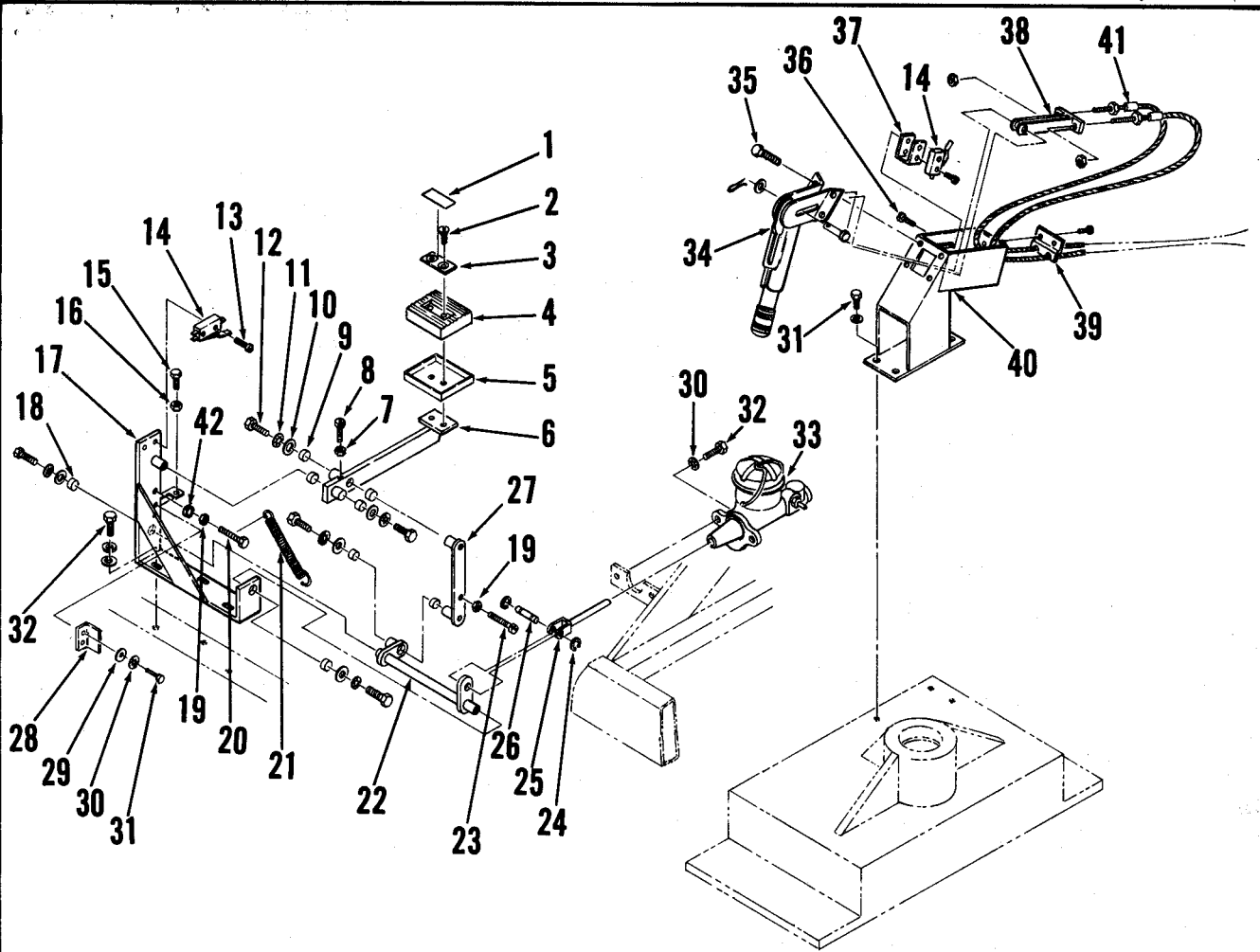
EXHAUST SYSTEM, AIR CLEANER & FUEL TANK

ITEM	PART NO	QTY	DESCRIPTION
1		5	SCREW, HEX HD. 5/16-18 X 3/4 W/WASHER & WHIZ NUT
2	490 923	1	PANEL, BAFFLE
3	490 926	1	PLATE, COVER
4		2	SCREW, PAN HD. #10-32 X 3/8
5		5	SCREW, PAN HD. #10-32 X 7/16
6		5	WASHER, LOCK #10
7		5	WASHER, FLAT #10
8	478 358	1	FUEL SENDER
9	477 523	1	BARB
10	111 295	1	ELBOW
11	488 904	1	TANK, FUEL
12	478 502	1	CAP, FUEL TANK
13		3	SCREW, HEX HD. 5/16-18 X 1" W/FLAT WASH. & WHIZ NUT
14	488 928	2	BRACKET, FUEL TANK
15		4	SCREW, HEX HD. 1/4-20 X 1/2
16	487 326	2	BAND, MOUNTING
17	487 341	1	CLAMP, HOSE
18	487 317	1	INTAKE, AIR
19	352 829	4	CLAMP, HOSE
20	487 335	2	ELBOW, 90° REDUCER
21	487 338	1	TUBE, AIR INTAKE
22	487 332	1	HUMP
23	440 213	1	CLAMP, HOSE
24	487 329	1	BRACKET, AIR CLEANER
25	491 500	1	ELBOW ASSEMBLY
26	387 379	1	PLATE, BAFFLE
27	487 288	1	EXHAUSE PIPE
28	487 263	4	CLAMP, MUFFLER
29	487 260	1	MUFFLER
30	487 292	1	PLATE
31	487 298	1	BRACKET, ANGLE
32	478 726	2	MOUNT, DIAPHRAGM
33	487 295	1	ANGLE
34		12	SCREW, HEX HD. 1/4-20 X 1/2
35		12	WASHER, FLAT 1/4
36		12	NUT, WHIZ 1/4
37	487 274	1	PIPE, TAIL
38	487 307	1	SHEILD, TAIL PIPE
39	487 301	2	BRACKET, HANGER
40	487 311	1	AIR CLEANER, ASSEMBLY C/O
	487 313	1	ELEMENT ASSY. SECONDARY
	487 315	1	ELEMENT ASSY. PRIMARY
	487 319	2	NUT ASSY.
	487 321	1	CLAMP ASSY.
	487 325	1	BAFFLE
	487 327	1	CUP ASSY.
	487 331	1	VALVE, VACUATOR



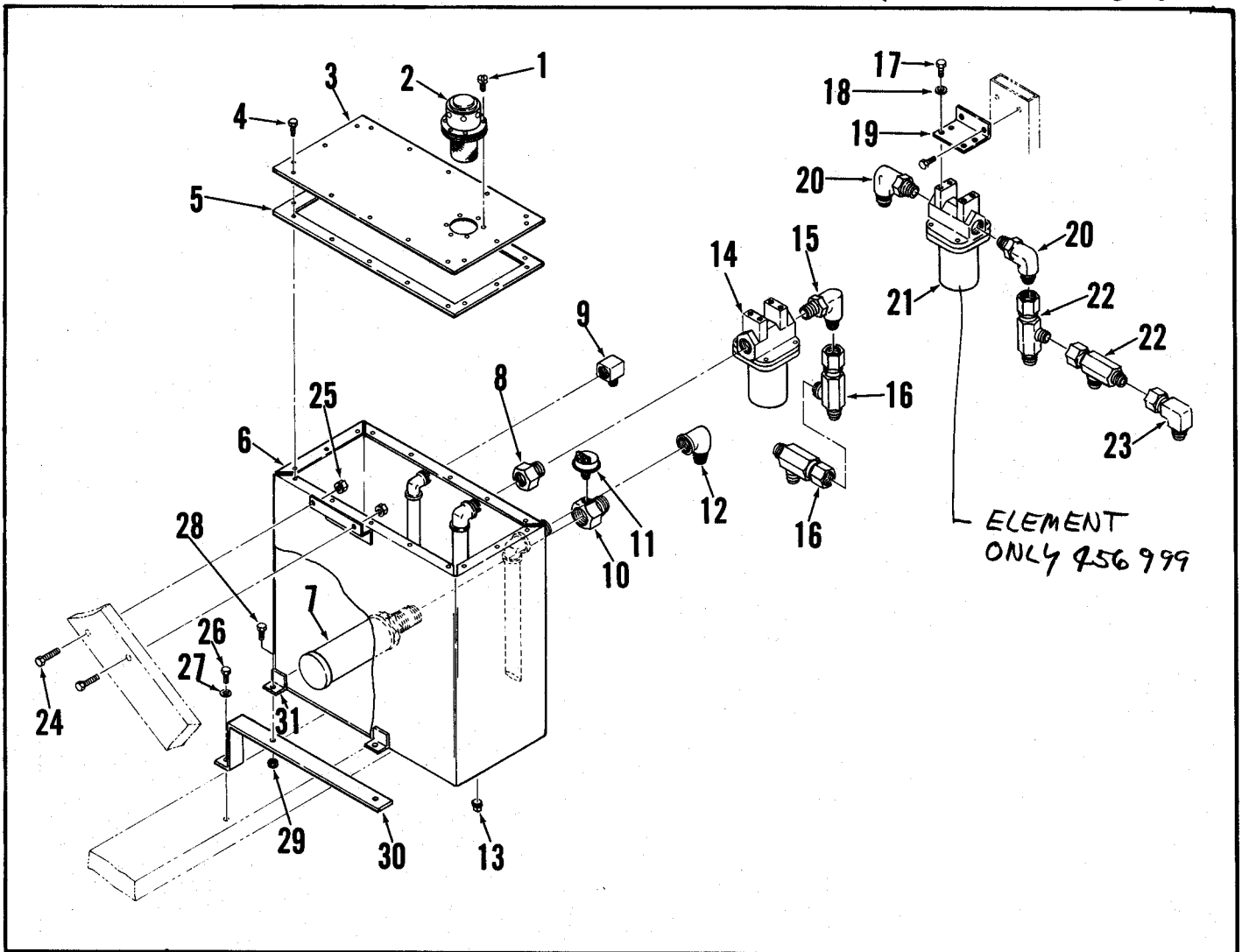
ITEM	PART NO	QTY	DESCRIPTION	ITEM	PART NO	QTY	DESCRIPTION
1	110 809	1	NUT, CASTLE	21		4	BOLT, HEX 1/2-13 X 2 1/2
2		1	PIN, COTTER 1/8 X 2"	22	488 539	1	MOTOR, WHEEL
3		1	WASHER, FLAT 7/8 SAE	23	488 610	1	CONNECTOR
4	486 821	1	ARM, PIVOT	24		8	SCREW, HEX HD. 3/8-16 X 3/4
5	486 730	1	SEAL, SHAFT 2.000	25	486 840	8	WASHER, SHAKEPROOF 3/8
6	486 724	1	BEARING, TR ASS'Y	26	488 840	4	CLIP, TUBE ANCHOR
7	486 750	1	HOUSING, SPINDLE	27	488 584	2	CONNECTOR ST. THD
8	486 721	1	BEARING, TR ASS'Y	28	488 503	1	TUBE, DRIVE WHEEL
9	486 727	1	SEAL, SHAFT 3.00	29	488 506	1	TUBE, DRIVE WHEEL
10	486 781	1	SPINDLE	30	488 589	2	SWIVEL 360°
11	486 713	1	HUB, WHEEL	31	344 362	1	FITTING, LUBE (NOT SHOWN)
12		1	KEY, SQUARE .438 X 1.25	32	488 542	1	CYLINDER, POWER STEERING 722
13		1	PIN, COTTER 5/32 X 3"	33	488 593	1	ELBOW, MALE
14	486 334	1	NUT, CASTLE 1 1/4-18 UNEF-2A	34	486 733	2	PIN .5 X 1.5
15	486 701	1	FRONT WHEEL ASSY	35	488 716	1	ELBOW, MALE
16	486 843	6	NUT, LUG	36	481 546	1	PLUG, 1/8-27 NPT
17		12	NUT, HEX JAM 3/4-16	37	486 736	2	BOLT 1/2-13 X 5.00
18	486 716	6	STUD, WHEEL				
19		4	NUT, HEX 1/2-13				
20		4	WASHER, LOCK 1/2				

FRONT SPINDLE ASSEMBLY

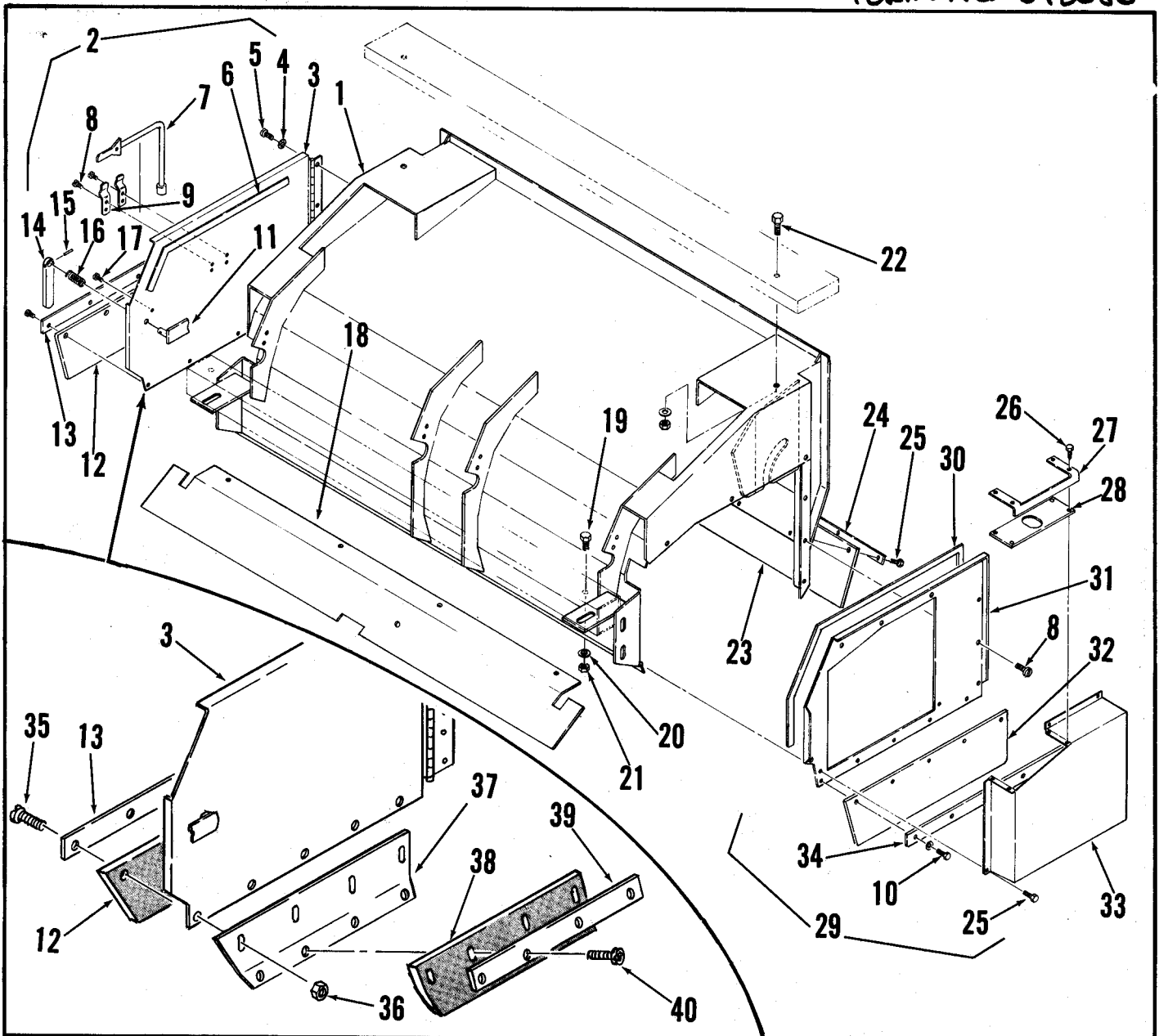


ITEM	PART NO	QTY	DESCRIPTION	ITEM	PART NO	QTY	DESCRIPTION
1	025 122	1	DECAL	39	488 285	2	BRACKET, CABLE
2		2	SCREW, FLAT HD. 1/4-20 X 7/8	40	488 261	1	BRAKE, PARKING
3	365 081	1	PLATE, PEDAL	41	486 563	2	CABLE, BRAKE
4	365 086	1	PAD, RUBBER	42	366 862	1	BUSHING .25 X .37 X .40
5	365 087	1	CUP, PEDAL				
6	488 211	1	LEVER, BRAKE				
7		1	NUT, HEX #8-32				
8		1	SCREW, PAN HD. #8-32 X 1"				
9	366 633	6	BEARING, SLEEVE				
10		5	WASHER, FLAT 5/16				
11		5	WASHER, SHAKEPROOF 5/16				
12		5	SCREW, HEX HD. 5/16-18 X 1/2				
13		4	SCREW, PAN HD. #6-32 X 7/8 W/SHAKE WASH.				
14	171 225	2	SWITCH, SNAP SPST NC				
15		1	SCREW, HEX HD. 3/8-16 X 2"				
16		1	NUT, HEX 3/8-16				
17	488 181	1	BRACKET, BRAKE PEDAL MOUNTING				
18	370 878	2	BEARING, SLEEVE				
19		2	NUT, HEX 1/4-20				
20		1	SCREW, SOC. HD. 1/4-20 X 2"				
21	358 500	1	SPRING, EXTENSION				
22	488 199	1	LEVER, BRAKE				
23		1	SCREW, RD. HD. 1/4-20 X 1 1/4				
24	321 427	2	RING, RETAINING				
25	477 909	1	ROD, CLEVIS				
26	477 902	1	PIN, CLEVIS				
27	488 218	1	BAR, LINKAGE				
28	488 216	1	PLATE, STOP				
29		2	WASHER, FLAT 1/4				
30		6	WASHER, SHAKEPROOF 1/4				
31		6	SCREW, HEX HD. 1/4-20 X 7/8				
32		5	SCREW, HEX HD. 3/8-16 X 1"				
33	477 828	1	CYLINDER, MASTER BRAKE				
34	448 200	1	LEVER ASSEMBLY, BRAKE				
35		2	SCREW, HEX HD. 3/8-16X3/4 W/LKW,FW				
36		2	SCREW, PAN HD. #10-24X1/2 W/LKW,FW				
37	488 273	1	BRACKET, SWITCH				
38	488 276	1	BRACKET				

PARKING AND FOOT BRAKE ASSEMBLY

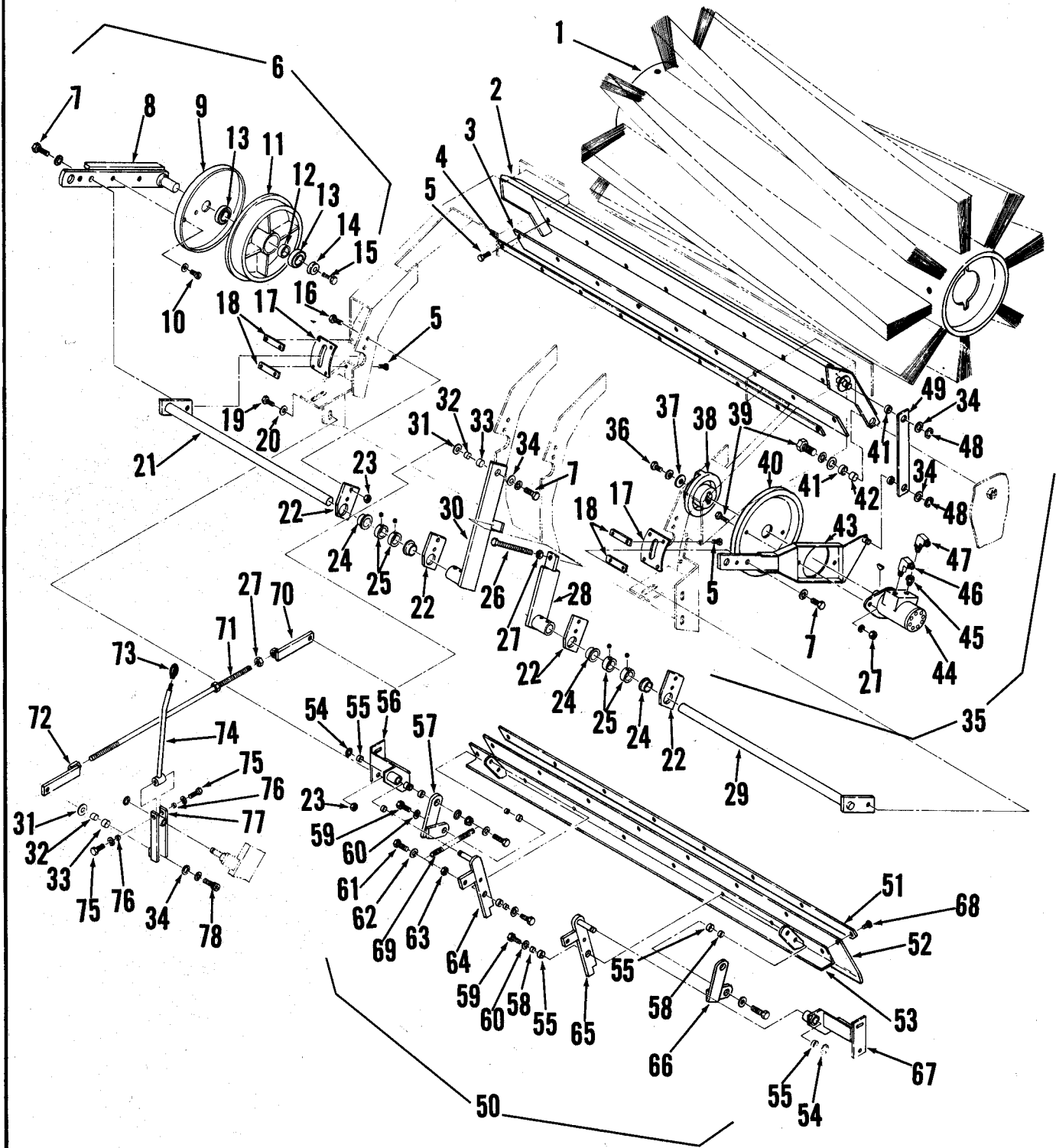


ITEM	PART NO	QTY	DESCRIPTION
	488 663	1	RESERVOIR ASSEMBLY C/O
1		6	SCREW
2	479 656	1	CAP, FILLER
3	488 669	1	COVER, RESERVOIR
4		16	SCREW, HEX HD. #10-24 X 3/8
5	200 754	1	GASKET
6	488 666	1	TANK, RESERVOIR
7	488 538	1	STRAINER, SUCTION
8	488 659	1	ADAPTOR, PIPE
9	488 657	1	ELBOW, FEMALE
10	488 655	1	CONNECTOR, FEMALE
11	488 535	1	INDICATOR, VACUUM
12	488 661	1	ELBOW, FEMALE
13	113 182	1	PLUG, PIPE 1/2 BLK
	488 564	1	FILTER ASSEMBLY C/O
14	456 997	1	FILTER, OIL TSB 343, G-11
15	456 920	1	ELBOW, 90° 7/8-14
16	456 950	2	TEE, SWIVEL NUT 7/8-1
	488 560	1	FILTER ASSEMBLY C/O
17		4	SCREW, HEX HD. 3/8-16 X 1 1/2
18		4	WASHER, LOCK 3/8
19	488 562	1	BRACKET, OIL FILTER
20	456 920	2	ELBOW, 90° 7/8-14
21	456 997	1	FILTER, OIL
22	456 950	2	TEE, SWIVEL NUT
23	488 628	1	ELBOW, SWIVEL NUT
24		2	SCREW, HEX HD. 3/8-16 X 1 1/2
25		2	NUT, WHIZ 3/8-16
26		1	SCREW, 7/16-18 X 1/2
27		1	WASHER, SHAKEPROOF 7/16
28		2	SCREW, HEX HD. 1/4-20 X 1"
29		2	NUT, WHIZ 1/4-20
30	488 707	1	BRACKET, RESERVOIR SUPPORT



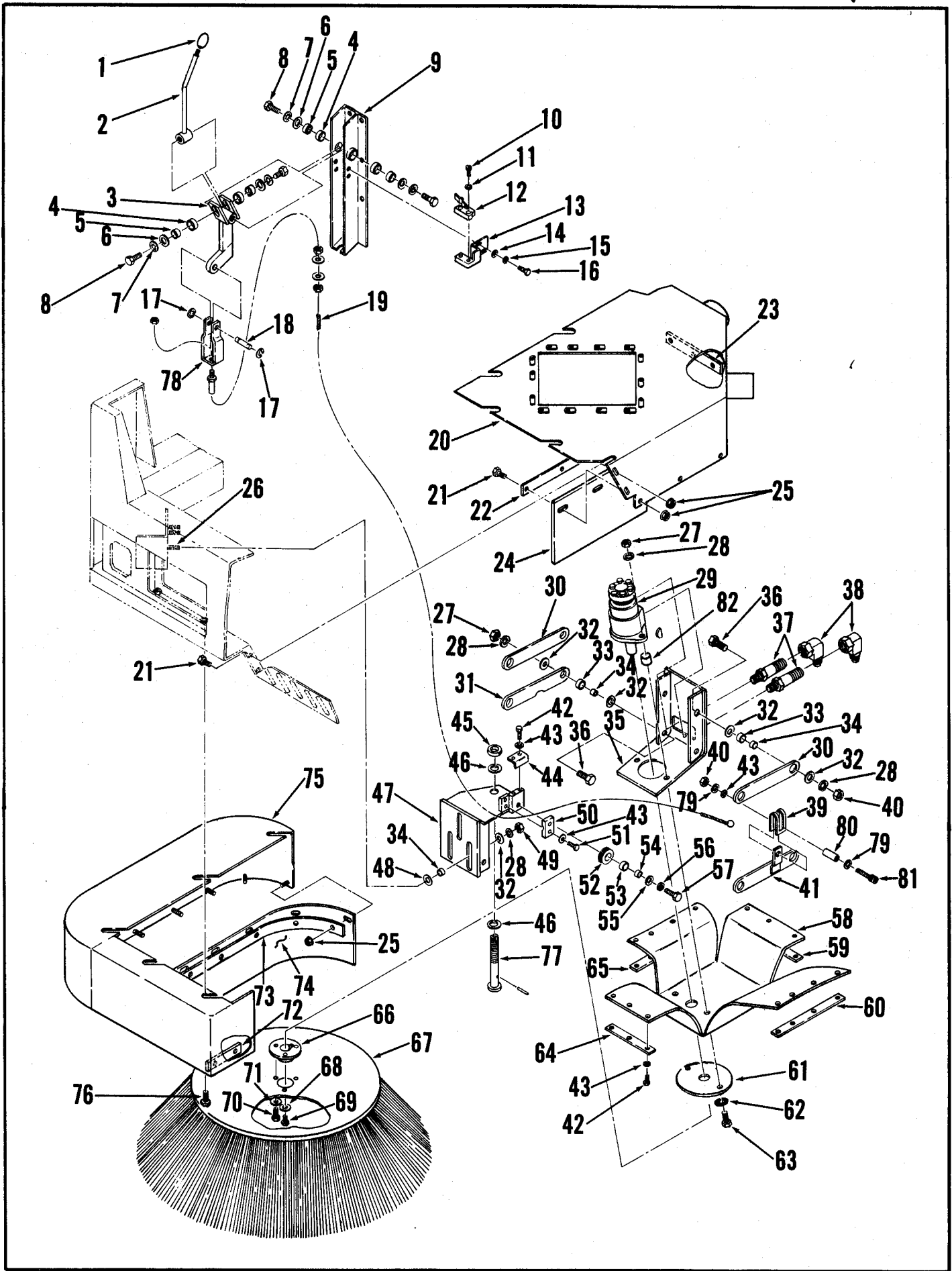
ITEM	PART NO	QTY	DESCRIPTION	ITEM	PART NO	QTY	DESCRIPTION
1	486 870	1	HOUSING, MAIN BROOM	28	486 858	1	BOOT
2	486 932	1	DOOR ASSEMBLY	29	486 941	1	PANEL ASSEMBLY
3	486 933	1	DOOR	30	479 854	A/R	GASKET
4		4	WASHER, SHAKEPROOF 1/4	31	486 942	1	PANEL
5		4	SCREW, PAN HD. 1/4-20 X 3/4	32	486 948	1	BLADE
6	479 854	A/R	GASKET	33	486 945	1	COVER, BROOM MOTOR
7	477 598	1	TOOL, FILTER TUBE	34	479 322	1	STRAP
8		12	SCREW, PAN HD. SELF-TAP #10-24 X 3/8	35		4	SCREW, PAN HD. #10-24 X 7/8
9	477 620	2	BRACKET, TOOL MOUNTING	36		5	NUT, HEX #10- 24
10		6	SCREW, PAN HD. #10-24 X 5/8 SELF-TAP	37	486 848	1	ANGLE
11	479 377	1	LATCH	38	486 846	1	BLADE
12	486 948	1	BLADE	39	486 850	1	STRAP
13	479 322	1	STRAP	40		4	SCREW, PAN HD. SELF-TAP #10-24 X 5/8
14	479 371	1	HANDLE				
15		1	SPRING PIN 1/8 X 3/4				
16	200 980	1	SPRING				
17		1	SCREW, PAN HD. 1/4-20 X 1/2				
18	487 078	1	SHIELD, DUST				
19		2	SCREW, HEX HD. 1/2-13 X 3 3/4				
20		4	WASHER, FLAT 1/2				
21		4	NUT, HEX 1/2-13				
22		2	SCREW, HEX HD. 1/2-13 X 2 1/2				
23	486 857	1	BLADE, REAR				
24	487 069	1	STRAP				
25		12	SCREW, HEX HD. 1/4-20 X 1/2				
26		4	SCREW, HEX HD. #10-24 X 1/2				
27	487 050	1	STRAP				

BROOM HOUSING ASSEMBLY



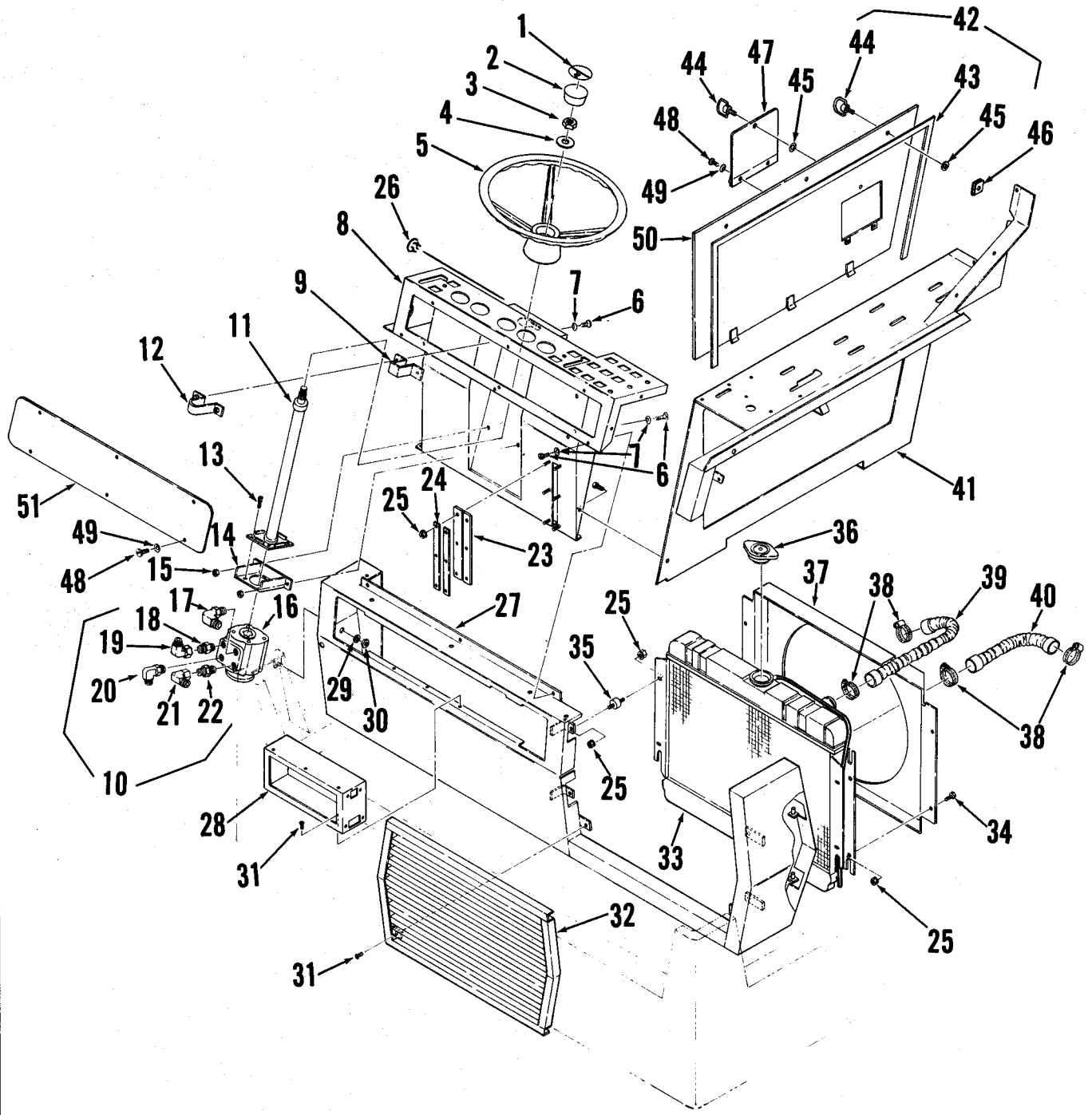
MAIN BROOM & RELATED PARTS

ITEM	PART NO	QTY	DESCRIPTION
1	486 015	1	BROOM, MAIN - WIRE MIX (STANDARD)
	486 014	1	BROOM, MAIN HEAVY DUTY
	486 013	1	BROOM, MAIN FULL FILL
	486 017	1	BROOM, MAIN WIRE
2	486 915	1	BAFFLE
3	486 851	1	BLADE, GUARD
4	487 072	1	STRAP
5		21	SCREW, FLAT HD. #10-24 X 1/2
6	479 428	1	IDLER ARM ASSEMBLY
7		4	SCREW, HEX HD. 1/2-13 X 1" W/WASH & LKW
8	479 438	1	ARM WELDMENT - RIGHT
9	479 439	1	GUARD, STRING
10		2	SCREW, PAN HD. 1/4-20 X 5/8
11	477 760	1	HUB, IDLER
12	479 434	1	BUSHING
13	479 430	2	BEARING, BALL
14	358 959	1	WASHER, PLATED
15		4	SCREW, HEX HD. 5/16-18 X 3/4
16		12	SCREW, HEX HD. 5/16-18 X 1"
17	477 572	2	SHIELD
18	477 570	4	PLATE, NUT
19		2	SCREW, HEX HD. 3/8-16 X 1
20		2	WASHER, LOCK 3/8
21	487 038	1	LEVER, SHAFT - RIGHT
22	487 059	4	BLOCK, PILLOW
23		4	NUT, WHIZ 5/16-18
24	444 944	4	BEARING, FLANGE
25	444 820	4	COLLAR
26	479 513	1	SCREW, ADJUSTING
27		4	NUT, HEX 1/2-13
28	479 459	1	LEVER
29	487 035	1	LEVER, SHAFT - LEFT
30	487 044	1	LEVER
31	367 192	2	WASHER
32	367 206	2	BUSHING
33	367 168	2	BEARING, SLEEVE
34	367 214	3	WASHER
35	487 023	1	BROOM ARM ASSEMBLY
36		1	SCREW, HEX HD. 1/4-20 X 7/8 W/LKW
37	159 387	1	WASHER
38	477 762	1	HUB, DRIVER
39		3	SCREW, HEX HD. 1/2-13 X 1 1/4 W/WASH. & LKW
40	479 442	1	GUARD, STRING
41	478 781	4	BEARING, OILITE
42	367 486	1	BUSHING
43	479 533	1	ARM
44	488 527	1	MOTOR, MAIN BROOM
45	488 618	1	CONNECTOR
46	488 645	1	ELBOW, 90°
47	488 628	1	ELBOW, SWIVEL NUT
48	478 775	3	RING, RETAINING
49	479 519	1	LINKAGE
50	486 853	1	FRONT BLADE ASSEMBLY
51	487 066	1	STRAP
52	486 854	1	BLADE, FRONT
53	486 951	1	ANGLE
54	468 834	4	RING, RETAINING
55	366 633	4	BEARING, SLEEVE
56	486 990	1	BRACKET, RIGHT
57	486 963	1	LEVER, RIGHT
58	228 052	4	BUSHING
59		4	SCREW, HEX HD. 5/16-18 X 1" W/SHAKE WASH.
60		4	WASHER, FLAT 5/16
61		4	SCREW, HEX HD. 1/4-20 X 1"
62		4	WASHER, FLAT 1/4
63		4	NUT, HEX 1/4
64	486 975	1	LEVER, RIGHT
65	486 972	1	LEVER, LEFT
66	486 960	1	LEVER, LEFT
67	486 987	1	BRACKET, LEFT
68		7	SCREW, PHILLIPS FLAT HD. 1/4-20 X 3/4 HP5
69	448 112	2	SPRING, EXTENSION
70	479 507	1	YOKE, RIGHT
71	488 064	1	TURNBUCKLE
72	479 501	1	YOKE, LEFT
73	364 527	1	KNOB
74	487 929	1	HANDLE
75		2	SCREW, HEX HD. 5/16-18 X 5/8 W/SHAKE WASH.
76	244 941	2	BUSHING
77	487 920	1	LEVER, HANDLE
78		1	SCREW, SOC. HD. CAP 1/2-13 X 1



SIDE BROOM ASSEMBLY

ITEM	PART NO	QTY	DESCRIPTION	RIGHT SIDE (STANDARD)	ITEM	PART NO	QTY	DESCRIPTION	LEFT SIDE (OPTIONAL)
1	364 527	1	KNOB		1	364 527	1	KNOB	
2	488 116	1	HANDLE		2	488 116	1	HANDLE	
3	488 122	1	LINKAGE		3	488 122	1	LINKAGE	
4	366 633	4	BEARING, SLEEVE		4	366 633	4	BEARING, SLEEVE	
5	244 941	4	BUSHING		5	244 941	4	BUSHING	
6		4	WASHER, FLAT 5/16		6		4	WASHER, FLAT 5/16	
7		4	WASHER, SHAKEPROOF 5/16		7		4	WASHER, SHAKEPROOF 5/16	
8		4	SCREW, HEX HD. 5/16-18 X 3/4		8		4	SCREW, HEX HD. 5/16-18 X 3/4	
9	488 143	1	BRACKET, LINKAGE		9	488 101	1	BRACKET, LINKAGE	
10		2	SCREW, PAN HD. #6-32 X 7/8		10		2	SCREW, PAN HD. #6-32 X 7/8	
11		2	WASHER, SHAKEPROOF #6		11		2	WASHER, SHAKEPROOF #6	
12	171 225	1	SWITCH, SNAP SPST		12	171 225	1	SWITCH, SNAP SPST	
13	488 113	1	BRACKET, SWITCH		13	488 113	1	BRACKET, SWITCH	
14		2	WASHER, FLAT #10		14		2	WASHER, FLAT #10	
15		2	WASHER, SHAKEPROOF #10		15		2	WASHER, SHAKEPROOF #10	
16		2	SCREW, HEX HD. #10-24 X 3/4		16		2	SCREW, HEX HD. #10-24 X 3/4	
17	321 427	2	RING, RETAINING		17	321 427	2	RING, RETAINING	
18	477 902	1	PIN 3/8 X 1 1/16		18	477 902	1	PIN, 3/8 X 1 1/16	
19	487 456	1	CABLE, PULL		19	487 458	1	CABLE	
20	489 860	1	HOUSING, DUST		20	489 891	1	HOUSING, DUST	
21		12	SCREW, HEX HD. #10-24 X 7/8		21		12	SCREW, HEX HD. #10-24 X 7/8	
22	489 866	1	RETAINER		22	489 866	1	RETAINER	
23	489 863	1	RETAINER		23	489 863	1	RETAINER	
24	489 830	1	SKIRT, DUST CONTROL		24	489 830	1	SKIRT, DUST CONTROL	
25		20	NUT, WHIZ #10-24		25		20	NUT, WHIZ #10-24	
26	487 523	3	STUD		26	487 523	3	STUD	
27		2	NUT, HEX 1/2-13		27		2	NUT, HEX 1/2-13	
28		5	WASHER, LOCK 1/2		28		5	WASHER, LOCK 1/2	
29	479 609	1	MOTOR, SIDE BROOM		29	479 609	1	MOTOR, SIDE BROOM	
30	487 517	2	LINK ARM, UPPER		30	487 517	2	LINK ARM, UPPER	
31	487 514	1	LINK ARM, LOWER		31	487 514	1	LINK ARM, LOWER	
32	367 214	16	WASHER		32	367 214	16	WASHER	
33	370 878	8	BEARING, SLEEVE		33	370 878	8	BEARING, SLEEVE	
34	360 627	8	BUSHING		34	360 627	8	BUSHING	
35	487 511	1	BRACKET, MOTOR MOUNTING R.H.		35	487 511	1	BRACKET, MOTOR MOUNTING	
36		4	SCREW, HEX HD. 1/2-20 X 1 1/4		36		4	SCREW, HEX HD. 1/4-20 X 1 1/4	
37	488 633	2	CONNECTOR, MALE		37	488 633	2	CONNECTOR, MALE	
38	488 628	2	ELBOW, SWIVEL		38	488 628	2	ELBOW, SWIVEL	
39	487 556	1	CLEVIS		39	487 556	1	CLEVIS	
40		4	NUT, HEX 1/2-20		40		4	NUT, HEX 1/4-20	
41	487 541	1	LINK ARM		41	487 541	1	LINK ARM	
42		16	SCREW, HEX HD. 1/4-20 X 1/2		42		16	SCREW, HEX HD. 1/4-20 X 1/2	
43		18	WASHER, SHAKEPROOF 1/4		43		18	WASHER, SHAKEPROOF 1/4	
44	487 550	1	RETAINER		44	487 550	1	RETAINER	
45	487 535	1	RETAINER, UPPER		45	487 535	1	RETAINER	
46	487 460	2	WASHER, THRUST		46	487 460	2	WASHER, THRUST	
47	487 501	1	BRACKET, R.S.		47	487 606	1	BRACKET, L.S.	
48	487 463	6	WASHER, THRUST		48	487 463	6	WASHER, THPUST	
49		3	NUT, HEX 1/2-13		49		3	NUT, HEX 1/2-13	
50	487 544	1	ANCHOR, CABLE		50	487 544	1	ANCHOR, CABLE	
51		2	SCREW, HEX HD. 1/4-20 X 3/4		51		2	SCREW, HEX HD. 1/4-20 X 3/4	
52	487 553	1	PULLEY		52	487 553	1	PULLEY	
53	159 778	1	BEARING, SLEEVE		53	159 778	1	BEARING, SLEEVE	
54	159 794	1	BUSHING		54	159 794	1	BUSHING	
55		1	WASHER, FLAT 7/16		55		1	WASHER, FLAT 7/16	
56		1	WASHER, SHAKEPROOF 7/16		56		1	WASHER, SHAKEPROOF 7/16	
57		1	SCREW, HEX HD. 7/16-14 X 1"		57		1	SCREW, HEX HD. 7/16-14 X 1"	
58	489 869	1	BOOT		58	489 869	1	BOOT	
59	489 851	1	RETAINER		59	489 851	1	RETAINER	
60	489 845	1	RETAINER		60	489 845	1	RETAINER	
61	489 836	1	RETAINER		61	489 836	1	RETAINER	
62		2	WASHER, FLAT 1/2		62		2	WASHER, FLAT 1/2	
63		2	SCREW, HEX HD. 1/2-13 X 1 3/8		63		2	SCREW, HEX HD. 1/2-13 X 1 3/8	
64	489 848	1	RETAINER		64	489 849	1	RETAINER	
65	489 842	1	RETAINER		65	489 842	1	RETAINER	
66	479 948	1	HUB		66	479 948	1	HUB	
67	487 453	1	BROOM, SIDE		67	487 453	1	BROOM, SIDE	
68		1	WASHER, LOCK 1/4		68		1	WASHER, LOCK 1/4	
69		1	SCREW, HEX HD. 1/4-20 X 5/8		69		1	SCREW, HEX HD. 1/4-20 X 5/8	
70		3	SCREW, HEX HD. 5/16-18 X 1 1/4		70		3	SCREW, HEX HD. 5/16-18 X 1 1/4	
71		3	WASHER, LOCK 5/16		71		3	WASHER, LOCK 5/16	
72	489 839	1	RETAINER		72	489 839	1	RETAINER	
73	489 833	1	RETAINER		73	489 833	1	RETAINER	
74	489 827	1	SKIRT, DUST CONTROL		74	489 827	1	SKIRT, DUST CONTROL	
75	487 566	1	BUMPER, SIDE BROOM R.H.		75	487 611	1	BUMPER, SIDE BROOM L.H.	
76		5	SCREW, HEX HD. 1/2-13 X 1 1/8 W/LW		76		5	SCREW, HEX HD. 1/2-13 X 1 1/8 W/LW	
77	487 526	1	ROD, ADJUSTING		77	487 526	1	ROD ADJUSTING	
78	488 157	1	YOKE		78	488 157	1	YOKE	
79		2	WASHER, FLAT 1/4		79		2	WASHER, FLAT 1/4	
80	487 547	1	BUSHING		80	487 547	1	BUSHING	
81		1	SCREW, SOC. HD. 1/4-20 X 1 1/4		81		1	SCREW, SOC. HD. 1/4-20 X 1 1/4	
82	481 456	1	BUSHING		82	481 456	1	BUSHING	
83	487 559	1	RETAINER, CABLE (NOT SHOWN)		83	487 559	1	RETAINER, CABLE (NOT SHOWN)	

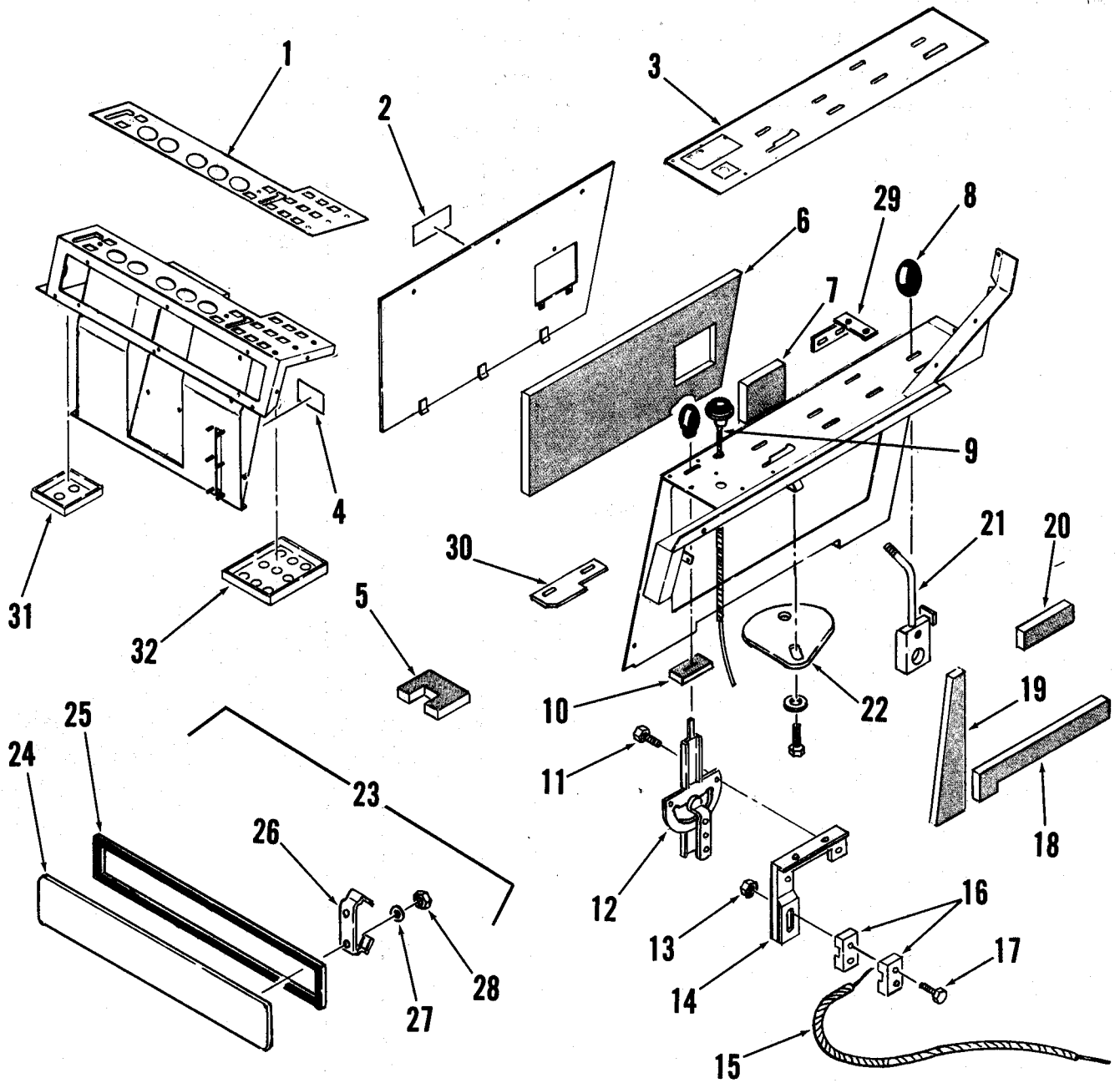


CONTROL PANELS, STEERING, RADIATOR ASSEMBLY

ITEM	PART NO	QTY	DESCRIPTION
1	016 754	1	DECAL, STEERING WHEEL
2	449 774	1	CAP, STEERING WHEEL
3	488 795	1	NUT, STEERING WHEEL
4		1	WASHER 13/16
5	449 766	1	WHEEL, STEERING
6		13	SCREW, OVAL HD. 1/4-20 X 1/2
7	481 830	13	WASHER, FINISHING
8	490 574	1	PANEL, FRONT CONTROL
9	488 022	1	BRACKET
10	488 558	1	STEERING CONT. ASSY.
11	488 532	1	COLUMN, STEERING
12	488 025	1	BRACKET
13		4	SCREW, SOC. HD. 3/8-16 X 3/4
14	488 019	1	BRACKET, POWER STEERING
15		2	NUT, HEX 1/4-20
16	488 530	1	STEERING CONTROL UNIT
17	488 651	1	ELBOW, 90°
18	488 612	1	CONNECTOR ST. THD.
19	488 628	1	ELBOW, SWIVEL NUT
20	488 642	1	ELBOW, 90°
21	488 631	1	ELBOW, SWIVEL NUT
22	488 608	1	CONNECTOR, ST. THD.
23	490 589	2	GASKET
24	490 592	2	STRAP
25		11	NUT, WHIZ 1/4
26	745 541	1	BUTTON, PLUG
27	490 734	1	PANEL, FRONT
28	489 599	1	BOX, ELECTRICAL
29		4	NUT, HEX 1/2-13
30		4	WASHER, LOCK 1/2
31		9	SCREW, FLAT HD. PHILLIPS #10-24X1/2
32	490 771	1	GRILL
33	487 351	1	RADIATOR
34		4	SCREW, HEX HD. 1/4-20 X 1/2
35	478 684	4	MOUNT, RUBBER
36	478 693	1	CAP, RADIATOR
37	487 361	1	SHROUD, RADIATOR FAN
38	491 513	4	CLAMP, HOSE
39	487 357	1	HOSE, RADIATOR 1 1/2 X 20
40	487 354	1	HOSE, RADIATOR 1 3/4 X 19
41	490 614	1	PANEL, SIDE CONTROL
42	490 651	1	DOOR ASSEMBLY
43	200 754	A/R	GASKET
44	448 104	4	FASTENER, SCREW
45	448 108	4	RETAINER, WASHER
46	468 960	4	RECEPTACLE, SCREW
47	490 666	1	COVER, ACCESS
48		8	SCREW, OVAL HD. #10-24 X 1/2
49	449 340	8	WASHER, FINISHING
50	490 654	1	DOOR, CONTROL PANEL
51	490 723	1	COVER, FRONT CONTROL PANEL

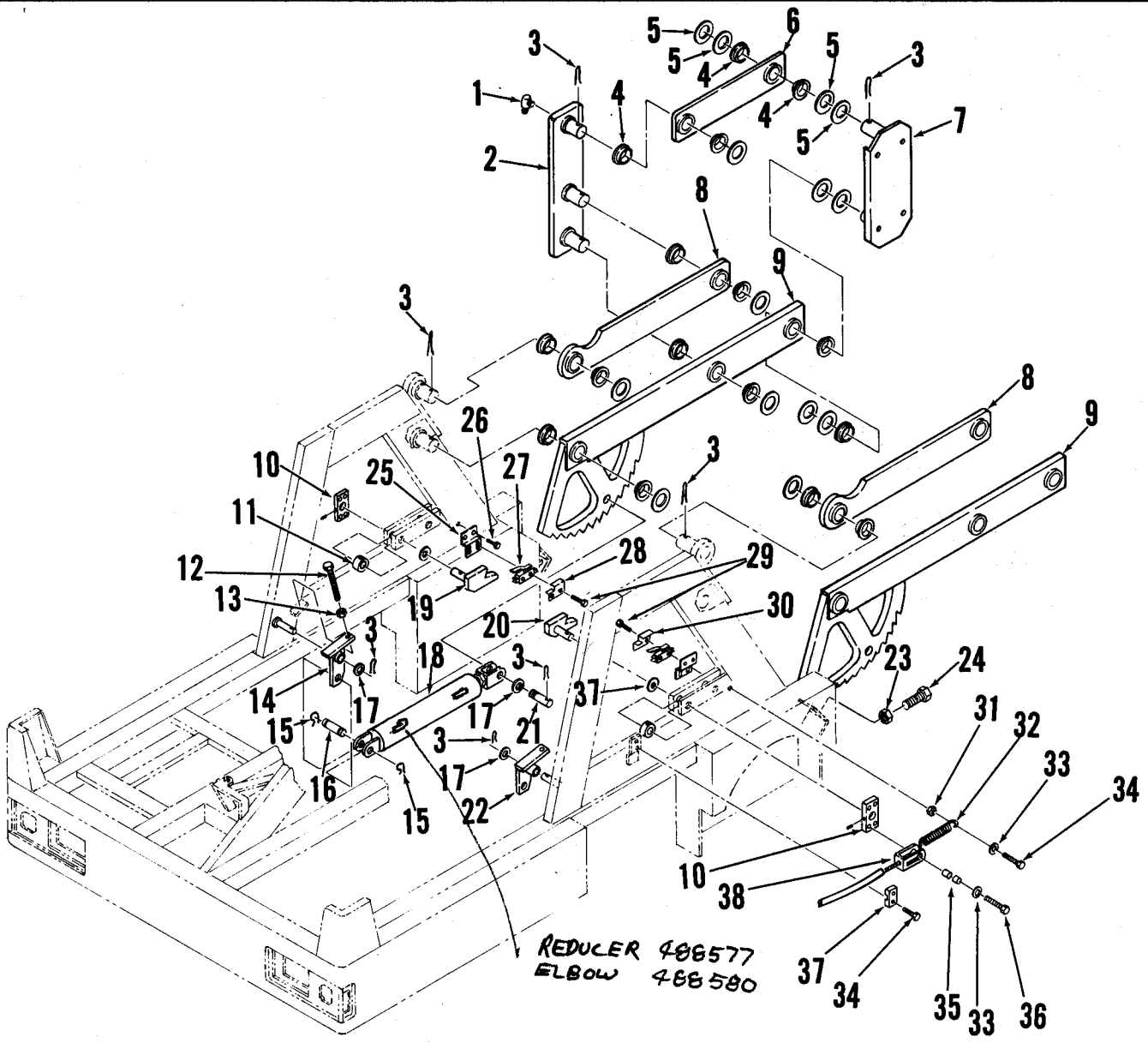
CONTROL VALVES AND RELATED PARTS

ITEM	PART NO	QTY	DESCRIPTION	ITEM	PART NO	QTY	DESCRIPTION
1	477 829	2	CABLE ASSEMBLY	87	488 628	1	ELBOW, SWIVEL NUT
2	490 011	1	BLOCK	88	488 646	1	ELBOW, 90°
3	477 884	1	CLAMP, CABLE	89	488 554	1	VAC FAN VALVE ASSY. C/O
4		2	SCREW, HEX HD. 1/4-20 X 1 3/4	90	488 645	2	ELBOW, 90°
5	371 009	1	WASHER .391 X .62 X .06	91	488 628	2	ELBOW, SWIVEL NUT
6	378 534	6	KNOB	92	488 514	1	VALVE, SELECTOR
7		1	SCREW, HEX HD. 3/8-16 X 1"	93	488 646	1	ELBOW, 90°
8	487 965	1	LEVER	94	488 618	1	CONNECTOR
9		1	SCREW, HEX HD. 1/4-20 X 1 1/4	95	481 546	1	PLUG, 1/8-27 NPT
10	368 989	2	BUSHING .25 X .37 X .30				
11		23	SCREW, HEX HD. 5/16-18 X 1 1/2				
12		23	WASHER, SHAKEPROOF 5/16				
13		23	WASHER, FLAT 5/16				
14	228 052	10	BUSHING				
15	366 633	8	BEARING, SLEEVE				
16	487 983	1	CAM				
17	487 986	1	BAR, LINKAGE				
18		6	NUT, HEX #10-24				
19		2	WASHER, FLAT #10				
20		2	SCREW, PAN HD. #10-24 X 3/4				
21	344 354	1	SPRING, EXTENSION				
22		3	NUT, HEX 1/4-20				
23	488 801	1	FLOW CONTROL VALVE ASSY. (DUST) C/O				
24	488 511	1	VALVE, FLOW CONTROL				
25	488 628	2	ELBOW, SWIVEL NUT				
26	488 601	1	RUN TEE, ST. THD.				
27	488 645	1	ELBOW, 90°				
28	488 648	1	ELBOW, 45°				
29	468 553	4	SPACER				
30		2	SCREW, HEX HD. 1/4-20 X 3 1/2				
31	290 940	2	KNOB				
32	487 431	1	BRACKET, FLOW CONTROL				
33	488 163	2	ADAPTOR				
34		2	NUT, WHIZ 1/4-20				
35	488 566	1	RELIEF VALVE ASSY. C/O				
36	488 524	1	VALVE, RELIEF				
37	488 612	3	CONNECTOR, ST. THD.				
38	488 548	1	HOPPER DOOR VALVE ASSY. C/O				
39	488 642	2	ELBOW 90°				
40	488 610	1	CONNECTOR, ST. THD.				
41	488 628	1	ELBOW, SWIVEL NUT				
42	488 519	1	VALVE, CONTROL				
43	488 639	1	ELBOW, 90°				
44	488 612	1	CONNECTOR, ST. THD.				
45	487 956	1	LEVER, HOPPER DOOR				
46	477 988	2	LINKAGE				
47	487 944	1	LEVER, HOPPER LIFT				
48	488 550	1	HOPPER LIFT VALVE ASSY. C/O				
49	488 516	1	VALVE, CONTROL - HOPPER LIFT				
50	488 628	1	ELBOW, SWIVEL NUT				
51	488 642	2	ELBOW, 90°				
52	488 610	1	CONNECTOR ST. THD.				
53	488 639	1	ELBOW, 90°				
54		6	SCREW, HEX HD. 1/4-20 X 2"				
55		6	WASHER, SHAKEPROOF 1/4				
56	367 486	1	BEARING, SLEEVE				
57	488 546	1	FLOW CONTROL VALVE ASSY C/O				
58	488 511	1	VALVE, FLOW CONTROL				
59	488 645	2	ELBOW, 90°				
60	456 950	1	SWIVEL NUT, RUN TEE				
61	488 646	1	ELBOW, 90°				
62	481 546	1	PLUG, 1/8-27 NPT				
63		2	SCREW, OVAL HD. 1/4-20 X 3 1/2				
64		2	WASHER, FINISHING 1/4				
65	488 544	1	PRIORITY VALVE ASSY. C/O				
66	488 598	1	ELBOW, MALE				
67	488 587	1	ELBOW, MALE 90°				
68	488 508	1	VALVE, PRIORITY				
69	488 615	1	CONNECTOR, MALE				
70	488 628	1	ELBOW, SWIVEL NUT				
71	488 595	1	ELBOW, MALE				
72	488 804	1	BRACKET, PRIORITY VALVE				
73		4	SCREW, HEX HD. 1/4-20 X 1/2				
74		2	SCREW, HEX HD. 1/4-20 X 2"				
75	488 556	1	SIDE BROOM VALVE ASSY. C/O				
76	488 628	1	ELBOW, SWIVEL NUT				
77	488 618	2	CONNECTOR				
78	488 514	1	VALVE, SELECTOR				
79	488 601	1	RUN TEE, ST. THD.				
80	487 935	1	LEVER				
81	488 381	1	BRACKET, VALVE MOUNTING				
82	488 552	1	MAIN BROOM VALVE ASSY. C/O				
83	488 645	1	ELBOW, 90°				
84	488 514	1	VALVE, SELECTOR				
85	481 546	1	PLUG, 1/8-27 NPT				
86	488 620	1	CONNECTOR, LONG				



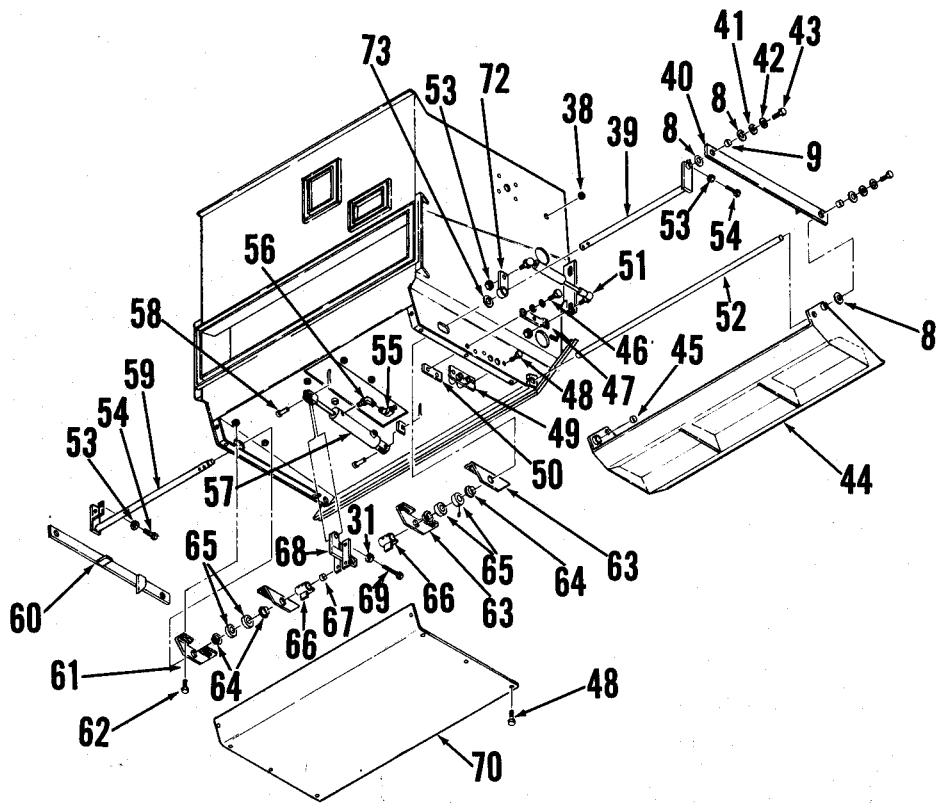
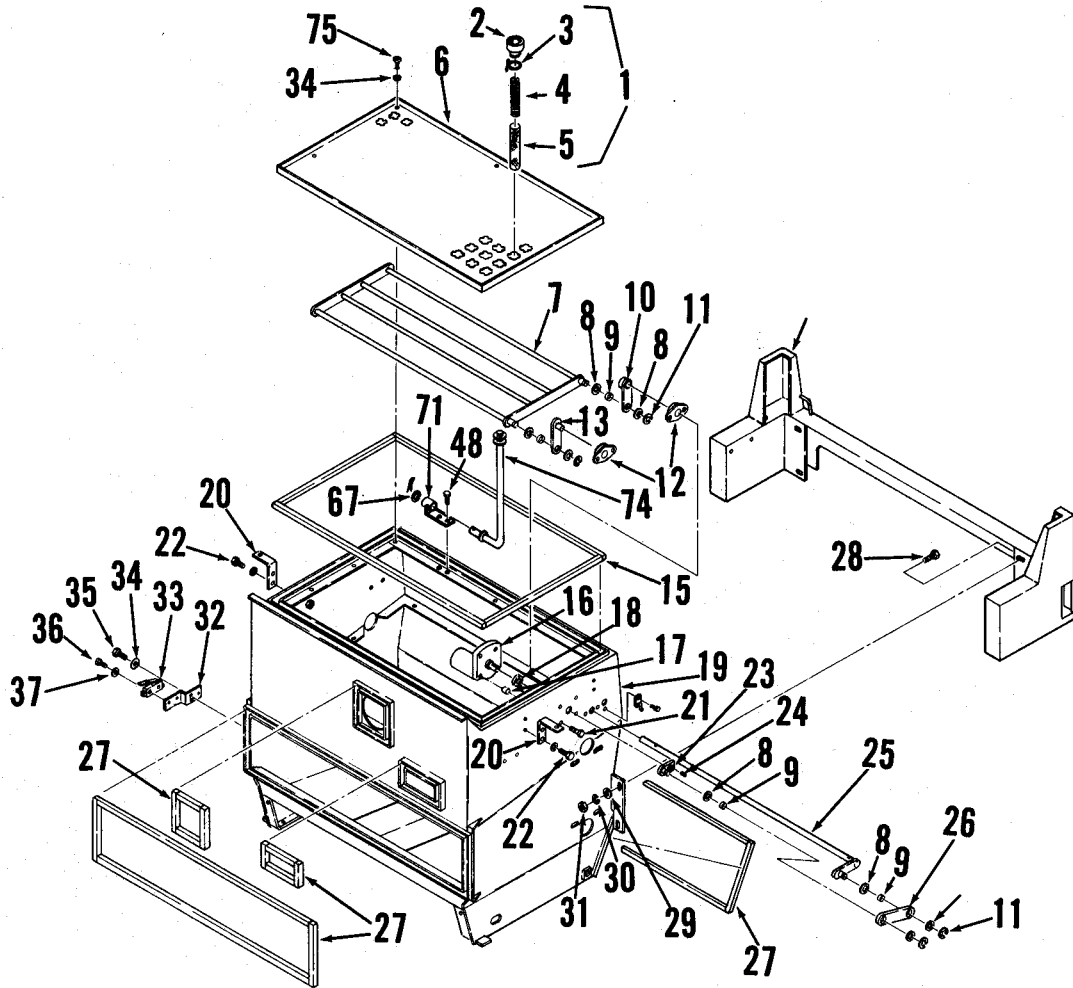
ITEM	PART NO	QTY	DESCRIPTION	ITEM	PART NO	QTY	DESCRIPTION
1	026 014	1	DECAL, FRONT CONTROL	21	487 971	1	LEVER, SHAKER WITH
2	025 393	1	DECAL, PARK BRAKE		368 989	1	BUSHING
3	026 011	1	DECAL, SIDE CONTROL		368 970	1	BEARING
4	025 498	1	NAMEPLATE		163 767	1	SPRING WASHER
5	490 557	1	FOAM, INSULATING (HORN BUTTON)			1	SCREW, 1/4-20 X 5/8 & NUT
6	490 653	1	FOAM, INSULATING	22	488 031	1	SEAL, PLASTIC
7	490 664	1	FOAM, INSULATING	23	490 690	1	COVER ASSEMBLY C/O
8	400 817	1	KNOB 364527	24	490 678	1	COVER
9	760 210	1	CONTROL, CHOKE	25	200 750	A/R	GASKET 1/16 X 1/2 X 77"
10	488 004	8	GASKET, FOAM	26	490 687	2	CLIP
11		2	SCREW, HEX HD. 1/4-20 X 1/2 HP-5	27		4	WASHER, SHAKEPROOF 1/4
12	456 328	1	LEVER ASSEMBLY - THROTTLE	28		4	NUT, HEX 1/4-20
13		2	NUT, WHIZ #10-24	29	487 995	2	PLATE, SWITCH
14	487 911	1	BRACKET, THROTTLE 227	30	487 243	1	STOP, THROTTLE
15	488 292	1	CABLE, THROTTLE CONTROL 292	31	488 046	1	MOUNT, LIGHTING
16	456 402	1	CLAMP, CABLE	32	488 037	1	MOUNT, LIGHTING
17		2	SCREW, HEX HD. #10-24 X 1"				
18	490 711	1	FOAM, INSULATING				
19	490 714	1	FOAM, INSULATING				
20	490 560	1	FOAM, INSULATING				

THROTTLE & CHOKE ASSEMBLY



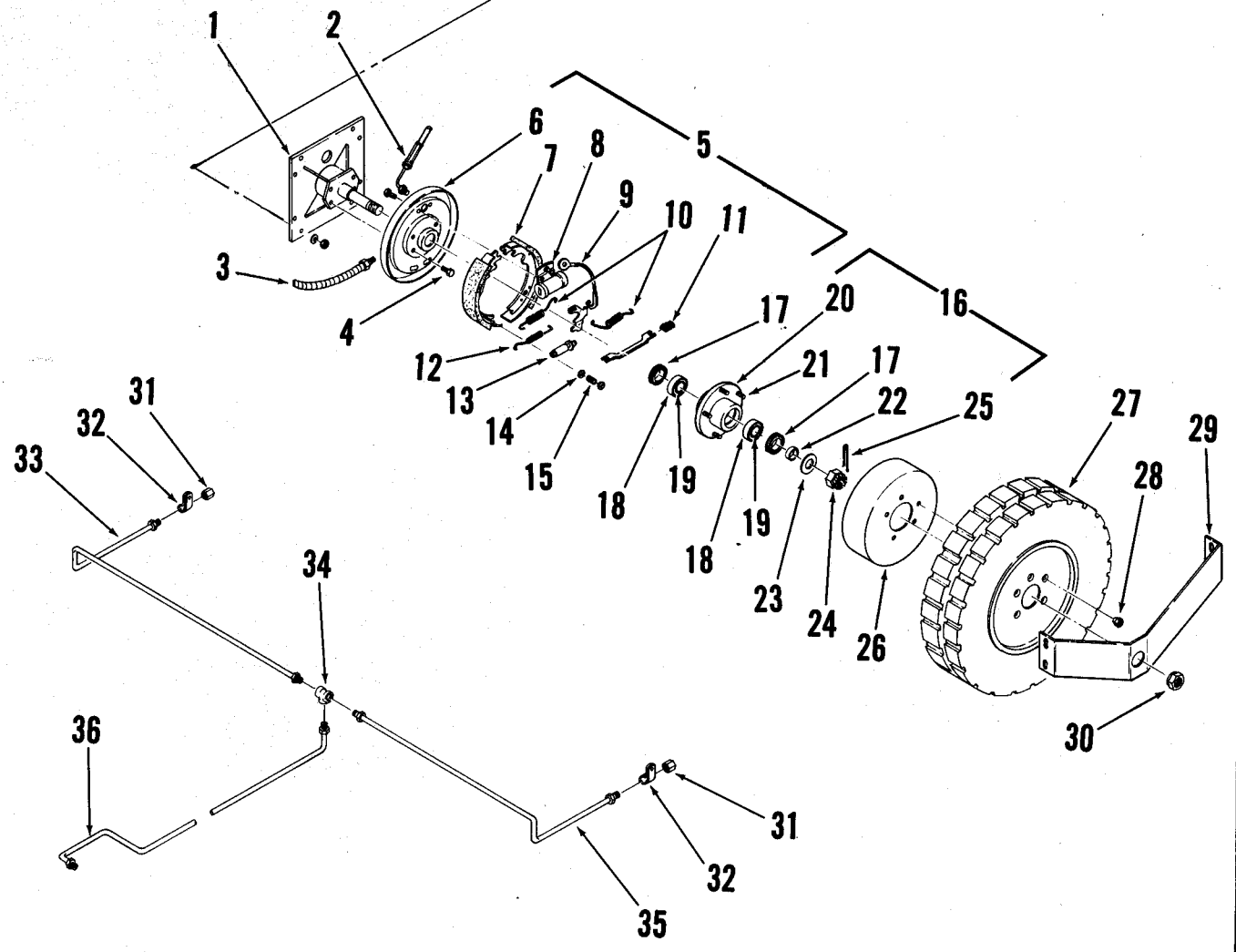
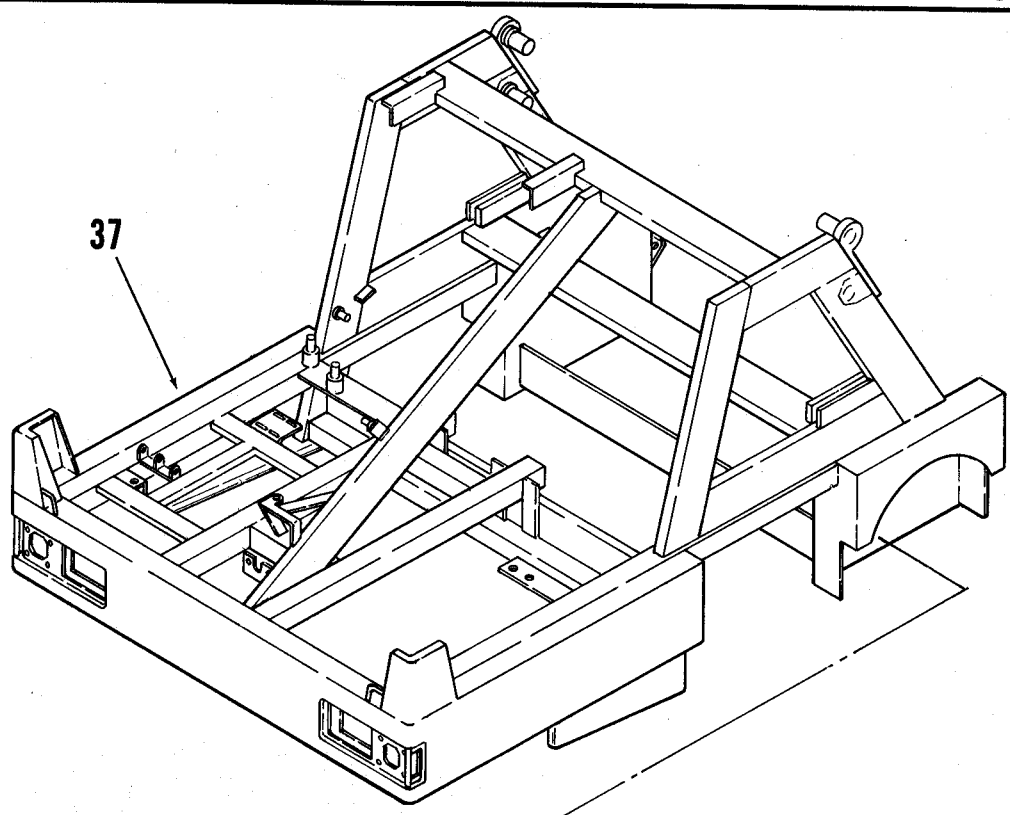
ITEM	PART NO	QTY	DESCRIPTION	ITEM	PART NO	QTY	DESCRIPTION
1	101 737	10	FITTING, GREASE	30	490 073	1	SHIELD, SWITCH - LEFT
2	490 035	2	ARM, HOPPER	31		2	NUT, HEX JAM 1/4-20
3		10	PIN, COTTER 3/16 X 3"	32	370 355	2	SPRING
4	490 008	28	BEARING, FLANGE	33		4	WASHER, FLAT 1/4
5	490 092	30	WASHER	34		6	SCREW, HEX HD. 1/4-20 X 5/8 HP-5
6	490 044	2	ARM, TILT	35	366 862	4	BUSHING
7	490 050	2	BRACKET, TILT ARM	36		2	SCREW, HEX HD. 1/4-20 X 1 1/4
8	490 020	2	ARM, LINKAGE	37	477 884	2	CLAMP, CABLE
9	490 023	2	ARM, RATCHET LIFT	38	477 829	2	CABLE ASSEMBLY
10	490 063	2	LEVER				
11	444 820	2	COLLAR				
12	479 513	2	SCREW, ADJUSTING				
13		2	NUT, HEX 1/2-13				
14	490 071	1	BRACKET, CYLINDER, RIGHT SIDE				
15	477 583	4	PIN, COTTER				
16	477 581	2	PIN				
17		4	WASHER, FLAT 1"				
18	477 646	2	CYLINDER, HYDRAULIC				
19	490 059	1	PAWL, RIGHT				
20	490 062	1	PAWL, LEFT				
21	490 086	2	PIN				
22	490 074	1	BRACKET, CYLINDER, LEFT SIDE				
23		2	NUT, HEX 5/8-11				
24	490 095	2	SCREW, ADJUSTING				
25	490 070	2	BRACKET, SWITCH				
26		4	SCREW, HEX HD. #10-24 X 1/2				
27	171 225	2	SWITCH, SNAP SPST N.C.				
28	490 072	1	SHIELD, SWITCH - RIGHT				
29		4	SCREW, PAN HD. #6-32 X 1" W/WASH.				

HOPPER ARMS ASSEMBLY



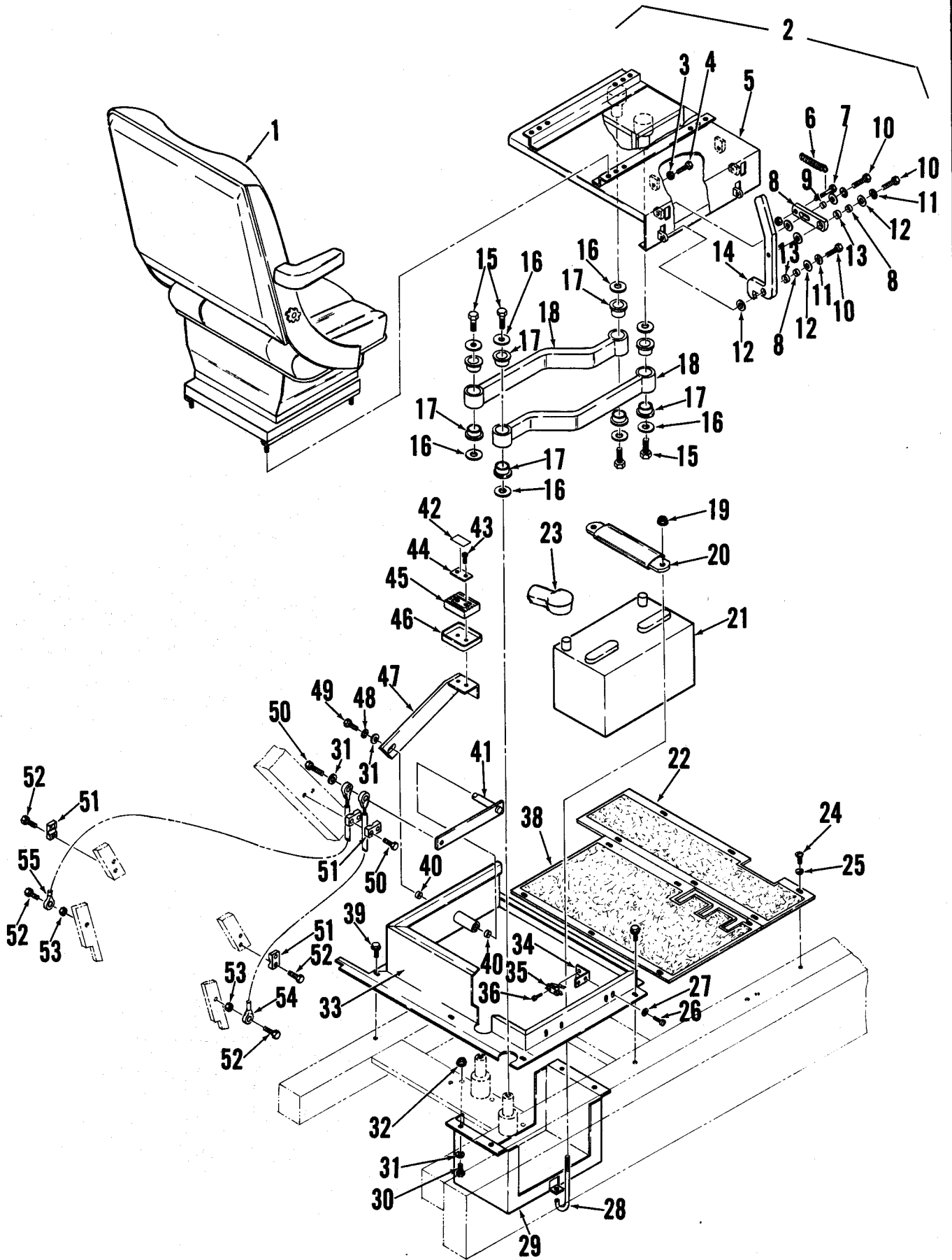
HOPPER ASSEMBLY

ITEM	PART NO	QTY	DESCRIPTION
	490 161	1	HOPPER ASSEMBLY
1	471 122	226	FILTER TUBE ASSY. EA. C/O
2	471 098	1	GROMMET
3	471 089	1	TIE, WIRE
4	471 095	1	SPRING
5	471 154	1	TUBE, FILTER <i>CHNG TO # 477606</i>
6	490 400	1	PLATE, FILTER
7	490 405	1	SHAKER
8	159 530	20	WASHER
9	478 781	10	BEARING, SLEEVE
10	479 024	2	LEVER
11	478 775	6	RING, RETAINING
12	479 033	4	BEARING, PB ASSY
13	479 000	2	LEVER
14	490 133	1	BUMPER, REAR
15	490 112	1	GASKET 1/2 X 1/2
16	478 487	1	MOTOR 12VD
17	398 618	4	BUSHING .31 X .50 X .87
18	479 030	1	GASKET 1.5 I.D. X 3.0 O.D.
19	490 163	1	HOPPER
20	490 398	4	BRACKET
21		4	SCREW, HEX HD. 5/16-18 X 3 1/2
			W/LKW & NUT
22		4	SCREW, HEX HD. 1/4-20 X 3/4
			W/LKW & NUT
23	479 006	1	CAM
24	441 279	1	KEY SQ.
25	490 411	1	LEVER, PIVOT
26	490 417	1	STRAP
27	490 110	4	GASKET .75 X 1.00
28		4	SCREW, HEX HD. 1/2-13 X 1"
29		4	WASHER, FLAT 1/2
30		4	WASHER, FLAT 1/2
31		9	NUT, HEX 1/2-13
32	490 396	1	BRACKET, SWITCH
33	171 225	1	SWITCH, HOPPER SPST N.C.
34		14	WASHER, SHAKEPROOF #10
35		2	SCREW, HEX HD. #10-24 X 3/4
36		2	SCREW, PAN HD. #6-32 X 7/8
37		2	WASHER, SHAKEPROOF #6
38	321 559	1	GROMMET
39	490 297	1	LEVER, PIVOT - LEFT HAND
40	490 315	1	LINKAGE, LEFT HAND
41	180 200	4	WASHER, .34 X 1.0 X .06
42		4	WASHER, SHAKEPROOF 5/16
43		4	SCREW, HEX HD. 5/16-18 X 3/4
44	490 360	1	DOOR
45	441 406	2	BEARING, SLEEVE
46		2	SCREW, HEX HD. 5/16-18 X 1" W/LKW
47	490 260	1	BRACKET
48		12	SCREW, HEX HD. SELF-TAP
			1/4-20 X 1/2
49	490 270	1	COUPLING
50	490 262	1	PLATE, NUT
51	385 238	1	SPRING, GAS
52	490 264	1	SHAFT, DOOR
53		4	NUT, HEX 5/16-18
54		2	SCREW, HEX HD. 5/16-18 X 2"
55	488 623	1	ELBOW, FEMALE PIPE
56	488 625	1	ELBOW, MALE PIPE
57	488 542	1	CYLINDER, HYDRAULIC
58	486 733	2	PIN .5 X 1.5
59	490 300	1	LEVER, PIVOT RIGHT HAND
60	490 318	1	LINKAGE, RIGHT HAND
61	367 214	16	WASHER 1/2
62		8	SCREW, HEX HD. 1/2-13 X 1"
63	490 266	4	BRACKET
64	444 944	4	BEARING, FLANGE
65	444 820	4	COLLAR, 1.0 X 1.5 X .5
66	490 336	2	COLLAR
67	490 268	1	BEARING .75 X .38
68	490 342	1	LEVER
69	479 513	4	SCREW, ADJUSTING
70	490 394	1	PANEL, BOTTOM
71	491 121	1	BRACKET, ROD PROP
72	490 327	1	LEVER
73	101 281	1	WASHER
74	491 127	1	ROD, PROP
75		12	SCREW, PAN HD. #10-24 X 1/2



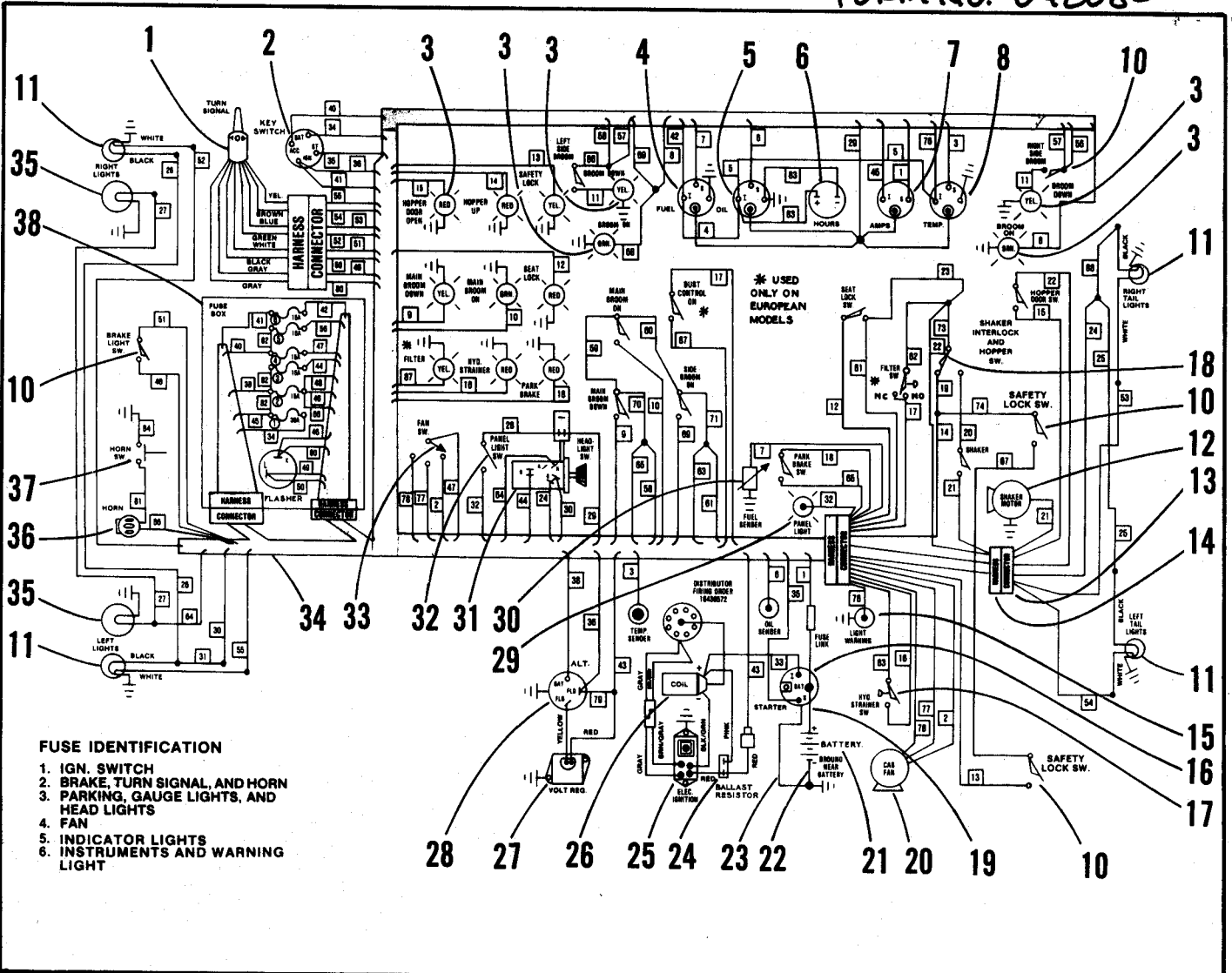
REAR WHEEL ASSEMBLY

ITEM	PART NO	QTY	DESCRIPTION
1	486 603	2	MOUNT, REAR WHEEL
2	486 579	2	HOSE ASSEMBLY
3	486 563	2	BRAKE CABLE
4		4	SCREW, HEX HD. 3/8-16 X 5/8
5	486 565	1	BRAKE ASSEMBLY, L.H. C/O
6	486 569	1	SHIELD, DUST
7	486 571	SET	BRAKE SHOE ASSEMBLY (2 PER SET)
8	486 572	1	CYLINDER, BRAKE
9	486 574	1	CABLE, SELF-ADJUSTING
10	486 575	2	SPRING, EXTENSION
11	486 577	1	SPRING, COMPRESSION
12	486 578	1	SPRING, EXTENSION
13	486 582	1	SELF-ADJUSTER
14	486 585	4	CUP, SPING
15	486 583	2	SPRING, COMPRESSION
5	486 567	1	BRAKE ASSEMBLY, R.H. (NOT SHOWN) C/O
6	486 568	1	SHIELD, DUST
7	486 571	SET	BRAKE SHOE ASSEMBLY (2 PER SET)
8	486 572	1	CYLINDER, BRAKE
9	486 574	1	CABLE, SELF-ADJUSTING
10	486 575	2	SPRING, EXTENSION
11	486 577	1	SPRING, COMPRESSION
12	486 578	1	SPRING, EXTENSION
13	486 580	1	SELF-ADJUSTER
14	486 585	4	CUP, SPRING
15	486 583	2	SPRING, COMPRESSION
16	486 590	2	REAR HUB ASSEMBLY EA. C/O
17	477 724	2	SEAL, SHAFT
18	378 259	2	BEARING TR CP 1.981
19	378 267	2	BEARING TR CN 1.000
20	486 553	1	HUB, MACHINED
21	486 619	5	STUD
22	477 729	2	SPACER, BUSHING
23	101 656	2	WASHER
24	101 265	2	NUT, ADJUSTING
25		2	COTTER PIN 3/16 X 2"
26	486 561	2	DRUM, BRAKE
27	486 587	2	TIRE, SOLID
28	486 626	10	NUT, LUG
29	486 597	2	SUPPORT, WHEEL
30	486 623	2	NUT, AXLE RETAINER
31	486 584	2	UNION
32	486 559	2	CLAMP, CABLE
33	486 573	1	BRAKE LINE R.H.
34	486 581	1	TEE, UNION
35	486 576	1	BRAKE LINE L.H.
36	486 570	1	BRAKE LINE
37	486 051	1	CHASSIS



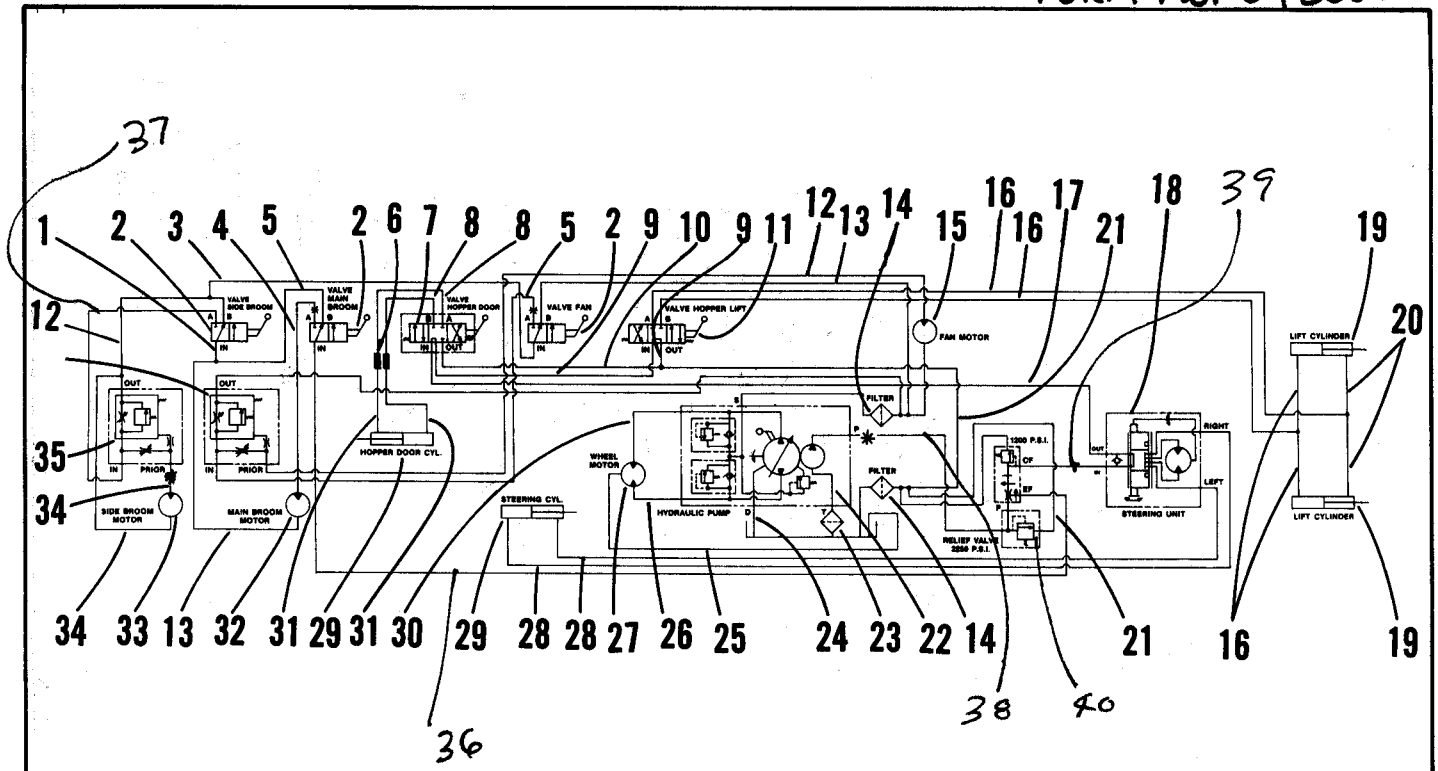
SEAT ASSEMBLY AND RELATED PARTS

ITEM	PART NO	QTY	DESCRIPTION
1	490 461	1	SEAT, AIR RIDE
2	490 478	1	SEAT BRACKET ASSEMBLY C/O
3		2	NUT, HEX JAM 1/4-20
4		3	SCREW, HEX HD. 1/4-20 X 1 1/4
5	490 481	1	BRACKET, UPPER SEAT
6	344 354	2	SPRING, EXTENSION
7		2	SCREW, HEX HD. 1/4-20 X 2 1/4
8	490 534	2	BAR, LINKAGE
9	244 941	6	BUSHING
10		6	SCREW, HEX HD. 5/16-18 X 1"
11		6	WASHER, SHAKEPROOF 5/16
12		12	WASHER, FLAT 5/16
13	366 633	4	BEARING, SLEEVE
14	490 531	2	LEVER, LOCK
15		4	SCREW, HEX HD. 1/4-20 X 3/4
16	487 742	8	WASHER
17	444 944	8	BUSHING, FLANGE
18	490 511	2	ARM PIVOT
19		2	NUT, WHIZ #10-24
20	487 421	1	CLAMP, BAR
21	206 962	1	BATTERY, 12V
22	490 697	1	PLATE, FLOOR
23	372 673	2	BOOT, BATTERY POST
24		12	SCREW, OVAL HD. #10-24 X 1/2 HP5
25		12	WASHER, FINISHING #10
26		2	SCREW, RD. HD. #10-24 X 3/4
27		2	WASHER, SHAKEPROOF #10
28	487 418	2	ROD, CLAMP
29	487 391	1	TRAY, BATTERY
30		4	SCREW, HEX HD. 1/4-20 X 1 1/4
31		5	WASHER, FLAT 1/4
32		4	NUT, WHIZ 1/4-20
33	490 464	1	BRACKET, LOWER SEAT
34	490 540	1	BRACKET, SWITCH
35	171 225	1	SWITCH
36		2	SCREW, RD. HD. #6-32 X 1"
38	490 694	1	PLATE, FLOOR
39		6	SCREW, HEX FLANGE #10-24 X 1/2 HP5
40	370 878	2	BEARING, OILITE
41	487 014	1	LEVER, PIVOT
42	025 126	1	DECAL, LIFT FLAP
43		2	SCREW, FLAT HD. 1/4-20 X 1" HP5
44	365 091	1	PLATE, PAD
45	365 082	1	PAD, RUBBER
46	365 083	1	CUP, PEDAL
47	487 005	1	LEVER, PEDAL
48		1	WASHER, SHAKEPROOF 1/4
49		1	SCREW, HEX HD. 1/4-20 X 1/2
50		3	SCREW, HEX HD. 1/4-20 X 1 1/2
51	487 884	4	CLAMP, CABLE
52		6	SCREW, HEX HD. 1/4-20 X 3/4
53		3	NUT, HEX JAM 1/4-20
54	486 860	1	CABLE ASSEMBLY
55	486 863	1	CABLE ASSEMBLY



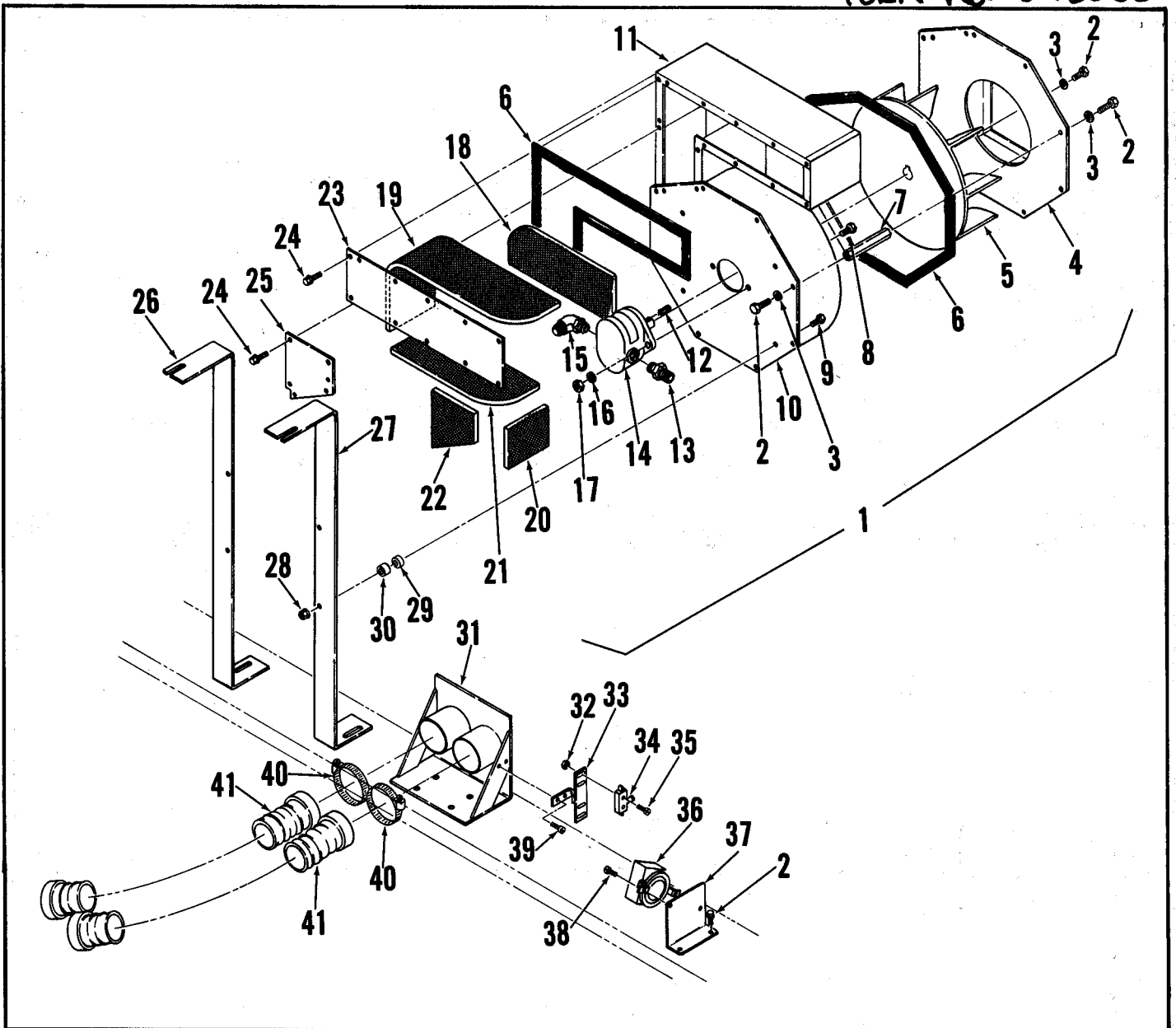
- FUSE IDENTIFICATION**
1. IGN. SWITCH
 2. BRAKE, TURN SIGNAL, AND HORN
 3. PARKING, GAUGE LIGHTS, AND HEAD LIGHTS
 4. FAN
 5. INDICATOR LIGHTS
 6. INSTRUMENTS AND WARNING LIGHT

ITEM	PART NO	QTY	DESCRIPTION	ITEM	PART NO	QTY	DESCRIPTION
1	489 631	1	TURN SIGNAL ASSEMBLY	34	489 663	1	HARNESSE ASSEMBLY
2	478 640	1	IGNITION SWITCH	35	481 560	2	HEADLAMP ASSEMBLY
3	489 642	13	LAMP BASE ASSEMBLY	36	442 054	1	HORN
	489 627	13	LAMP, 14 V	37	441 555	1	SWITCH, HORN START
4	489 584	1	GAUGE, FUEL LEVEL	38	489 596	1	ELECTRICAL BOX ASSY. C/O
5	489 587	1	GAUGE, OIL PRESSURE		489 599	1	BOX, ELECTRICAL
6	478 361	1	METER, HOUR		441 961	2	BLOCK, FUSE SMALL 3P
7	489 590	1	METER, AMP		489 621	1	FUSE, 30 AMP
8	489 581	1	GAUGE, TEMPERATURE		478 271	5	FUSE, GLASS 15 AMP
10	171 225	11	SWITCH, SNAP SPST		489 602	1	CONNECTOR ASSY.
11	454 523	4	LIGHT, SOCKET		489 605	1	CONNECTOR ASSY.
12	478 487	1	MOTOR, SHAKER		478 275	1	CLIP, FLASHER
13	489 661	1	HARNESSE ASSEMBLY		448 668	1	FLASHER, SIGNAL 12V
14	489 665	1	HARNESSE ASSEMBLY				
15	489 639	1	LIGHT, WARNING				
16	491 602	1	STARTER, ELECTRIC				
17	488 535	1	SWITCH				
18	761 452	1	SWITCH				
19	489 689	1	CABLE, BATTERY - POSITIVE				
20	481 794	1	FAN, CAB (OPTIONAL)				
21	206 962	1	BATTERY, 12V				
22	456 458	1	CABLE, BATTERY - NEGATIVE				
23	489 691	1	CABLE ASSEMBLY				
24	491 540	1	RESISTOR, BALLAST				
25	491 539	1	ELECTRONIC IGNITION				
26	491 546	1	COIL, IGNITION				
27	491 530	1	VOLTAGE REGULATOR				
28	491 527	1	ALTERNATOR				
29	489 633	1	LIGHT, UTILITY				
30	478 358	1	SENDER, FUEL				
31	489 636	1	SWITCH, HEADLIGHT				
32	207 075	1	SWITCH, UTILITY LIGHT				
33	481 854	1	SWITCH, CAB FAN (OPTIONAL)				

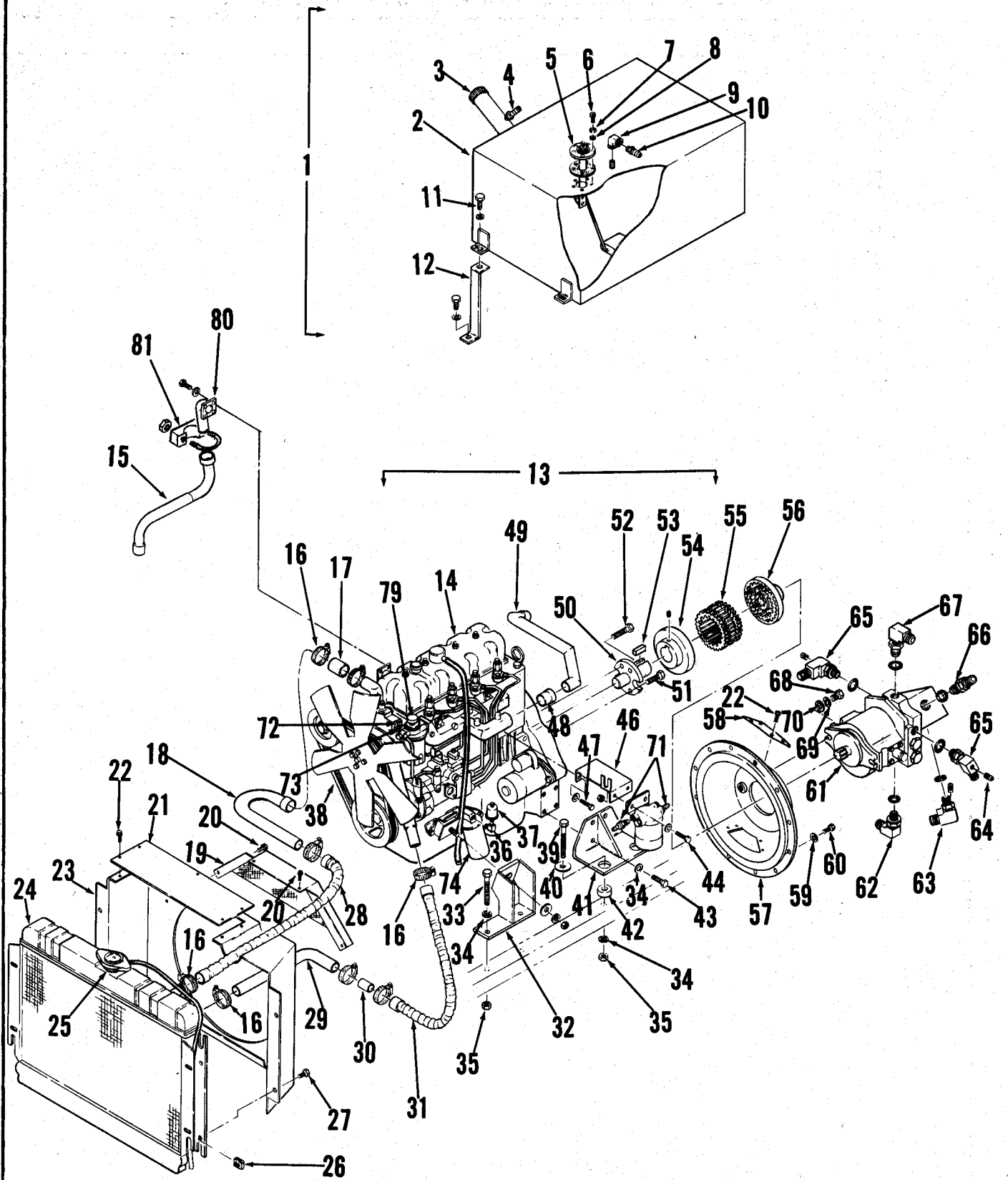


* INDICATES LOCATION OF PRESSURE TEST POINT

ITEM	PART NO	QTY	DESCRIPTION
1	488 757	1	HOSE ASSEMBLY
2	488 514	3	VALVE, SELECTOR
3	488 769	1	HOSE ASSEMBLY
4	488 755	1	HOSE ASSEMBLY
5	488 759	2	HOSE ASSEMBLY
6	488 591	2	SWIVEL, 360°
7	488 519	1	VALVE, CONTROL
8	488 747	2	HOSE ASSEMBLY
9	488 729	2	HOSE ASSEMBLY
10	488 731	1	HOSE ASSEMBLY
11	488 516	1	VALVE, CONTROL
12	488 753	2	HOSE ASSEMBLY
13	488 765	2	HOSE ASSEMBLY
14	456 997	2	FILTER, OIL
15	488 572	1	MOTOR, FAN
16	488 743	4	HOSE ASSEMBLY
17	488 737	1	HOSE ASSEMBLY
18	488 588	1	STEERING CONTROL ASSEMBLY
19	479 646	2	CYLINDER, HOPPER LIFT
20	488 745	2	HOSE ASSEMBLY
21	488 735	2	HOSE ASSEMBLY
22	488 777	1	HOSE ASSEMBLY
23	488 538	1	RESERVOIR SUCTION STRAINER
24	488 775	1	HOSE ASSEMBLY
25	488 783	1	HOSE ASSEMBLY
26	488 779	1	HOSE ASSEMBLY
27	488 539	1	MOTOR, WHEEL
28	488 741	2	HOSE ASSEMBLY
29	488 542	2	CYLINDER, HOPPER DOOR & STEERING
30	488 773	1	HOSE ASSEMBLY
31	488 749	2	HOSE ASSEMBLY
32	488 527	1	MOTOR, MAIN BROOM
33	479 609	1	MOTOR, SIDE BROOM
34	488 771	2	HOSE ASSEMBLY
35	488 511	2	VALVE, FLOW CONTROL
36	" 751		
37	" 761		
38	" 767		
39	" 733		
40	" 524		

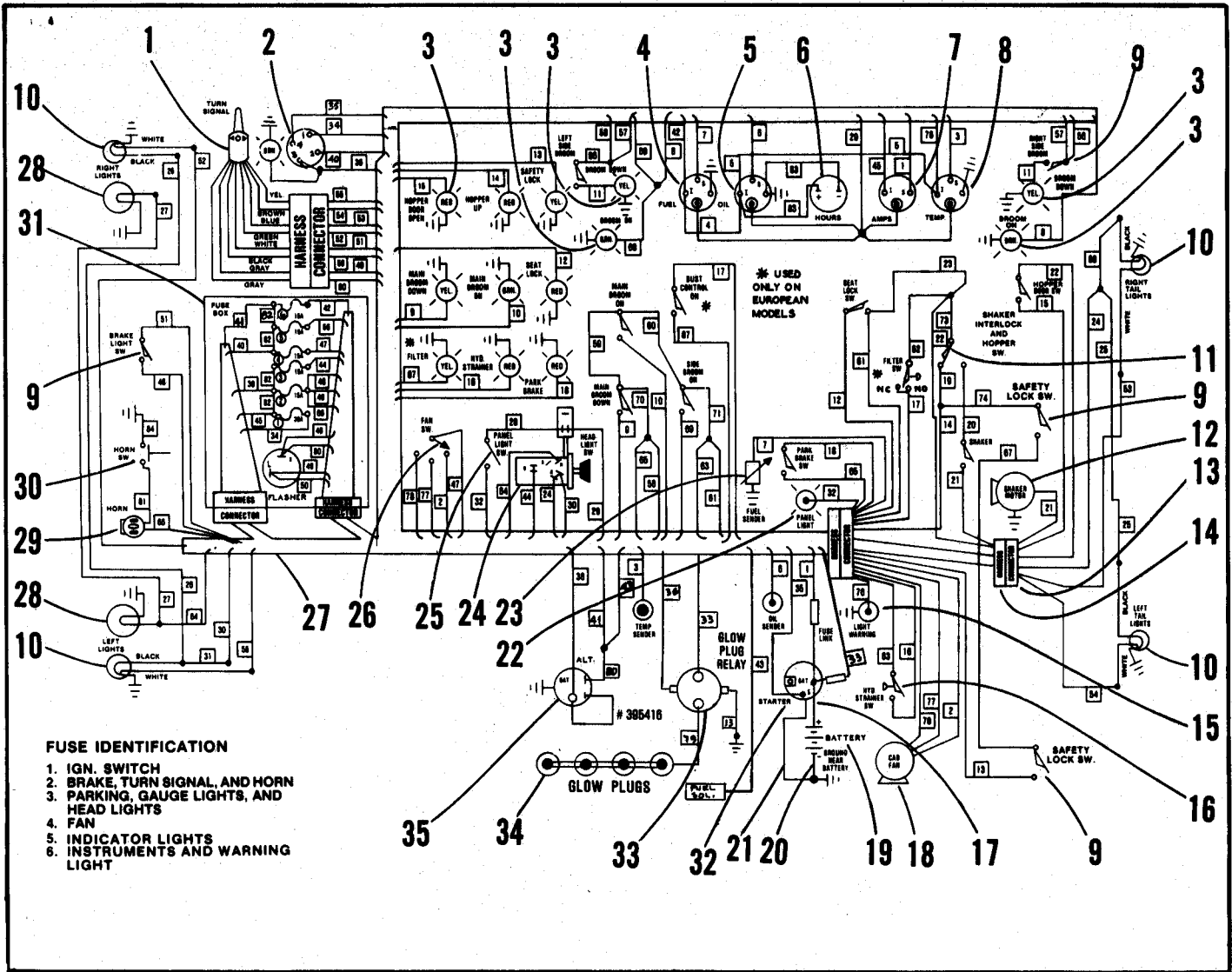


ITEM	PART NO	QTY	DESCRIPTION	ITEM	PART NO	QTY	DESCRIPTION
1	489 704	1	VACUUM FAN ASSEMBLY	29	489 764	4	BUMPER
2		21	SCREW, HEX HD. 1/4-20 X 5/8	30	489 767	4	SPACER
3		21	WASHER, LOCK 1/4	31	489 815	1	MANIFOLD, VAC HOSE
4	489 725	1	HOUSING	32		2	NUT, HEX #6-32
5	489 785	1	IMPELLER	33	488 301	1	BRACKET, SWITCH
6	200 754	A/R	GASKET	34	761 452	1	SWITCH, SNAP
7	489 743	8	SPACER, HEX	35		2	SCREW, PAN HD. #6-32 X 1"
8		2	SCREW, HEX HD. 3/8-16 X 7/8	36	478 090	1	SWITCH, VACUUM
9		4	SCREW, HEX HD. 1/4-20 X 1 1/4	37	488 316	1	BRACKET, VAC. SWITCH
10	489 761	1	HOUSING	38		2	SCREW, PAN HD. #8-32X1/2 W/SHAKE WASH
11	489 707	1	MUFFLER	39		2	SCREW, PAN HD. #10-24X1/2 W/SHAKE WASH
12		1	KEY, SQ. .19 X .19 X 1.12	40	352 829	4	CLAMP, HOSE
13	488 575	1	CONNECTOR ST. THD.	41	489 791	2	HOSE, FLEXIBLE 3.0 X 114.0
14	488 572	1	MOTOR, VAC FAN				
15	488 645	1	ELBOW, 90°				
16		2	WASHER, LOCK 3/8				
17		2	NUT, HEX 3/8-16				
18	489 776	1	FOAM 12.38 X 4.88				
19	489 797	1	FOAM 26.25 X 5.25				
20	489 800	1	FOAM 4.00 X 4.81				
21	489 794	1	FOAM 12.38 X 5.25				
22	489 773	1	FOAM 5.12 X 6.00				
23	489 758	1	COVER				
24		17	SCREW, HEX WASHER HD. #10-24 X 1/2				
25	489 755	1	COVER				
26	489 749	1	BRACKET, MOUNTING L.H.				
27	489 746	1	BRACKET, MOUNTING R.H.				
28		4	NUT, WHIZ 1/4-20				



DIESEL ENGINE & FUEL TANK ASSEMBLY

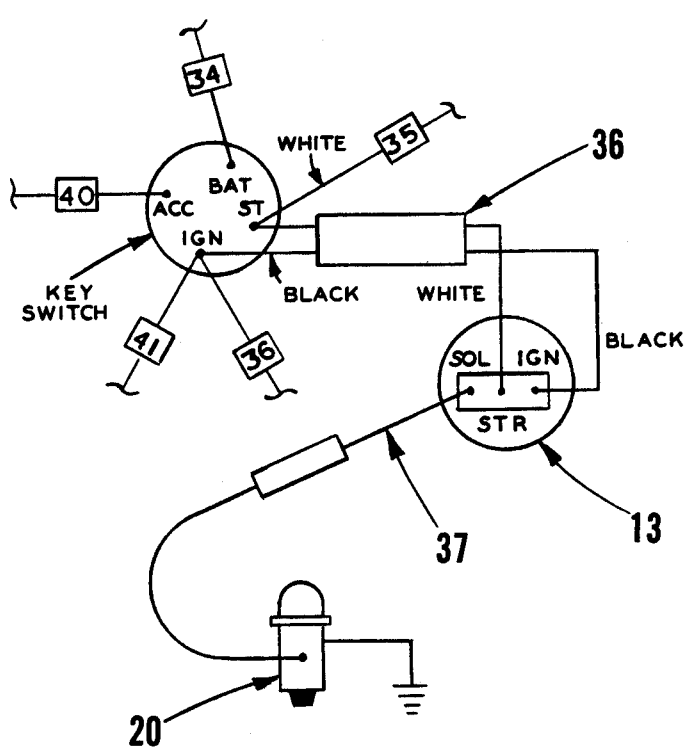
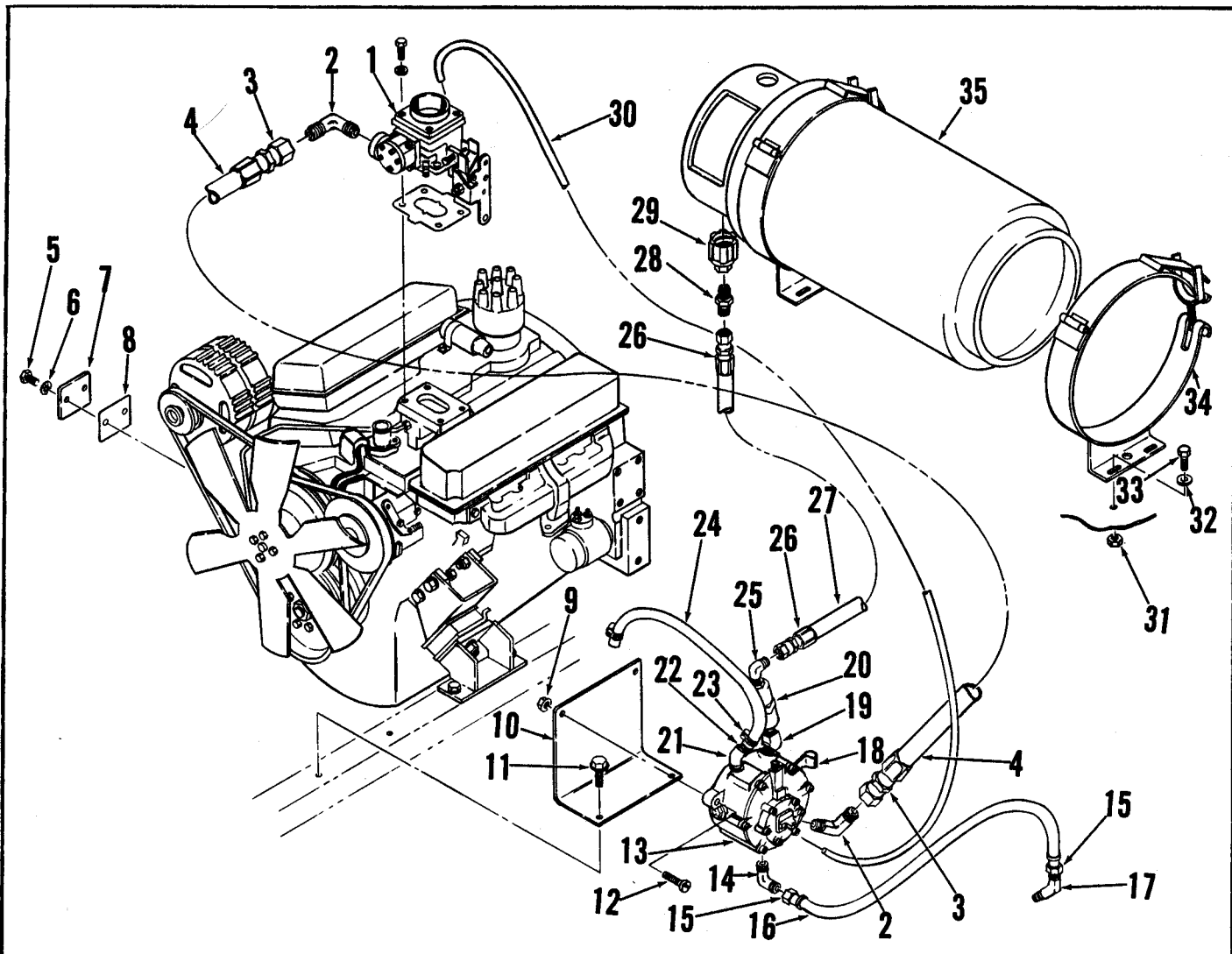
ITEM	PART NO	QTY	DESCRIPTION
1	488 902	1	FUEL TANK ASSEMBLY C/O
2	488 904	1	TANK, FUEL
3	478 502	1	CAP, FUEL TANK
4	369 594	1	BARB 1/4 X 1/8 BRASS
5	478 358	1	SENDER, FUEL LEVEL
6		5	SCREW, PAN HD. #10-32 X 7/16
7		5	WASHER, LOCK #10
8		5	WASHER, FLAT #10
9	111 295	1	ELBOW
10	477 523	1	BARB 5/16 X 1/8 BRASS
11		4	SCREW, HEX HD. 5/16-18 X 1" W/FLT. WASH & WHIZ NUT
12	488 928	2	BRACKET, FUEL TANK
13	487 162	1	ENGINE ASSEMBLY C/O
14	487 164	1	ENGINE 154 PERKINS
15	487 290	1	EXHAUST PIPE (ENGINE TO MUFFLER)
16	352 829	8	CLAMP HOSE
17		1	ADAPTOR
18	487 387	1	TUBE
19	487 358	1	GUARD
20		4	SCREW, HEX WASHER HD. #8-32 X 3/8 HP5
21	487 371	1	PLATE, FAN SHROUD
22		13	SCREW, HEX WASHER HD. #10-24 X 1/2 HP5
23	487 362	1	SHROUD, FAN
24	487 351	1	RADIATOR
25	478 693	1	CAP, RADIATOR
26	487 374	4	U-NUT 5/16-18
27		4	SCREW, HEX HD. 5/16-18 X 1/2
28	487 381	1	HOSE, FLEXIBLE RADIATOR 1.5 X 14"
29	487 383	1	HOSE, RADIATOR 1.75 X 90
30	487 385	1	ADAPTOR
31	487 354	1	HOSE, FLEXIBLE RADIATOR 1.75 X 19"
32	487 192	2	MOUNT, ENGINE
33		4	BOLT, HEX HD. 1/2-13X4"
34		16	WASHER, LOCK 1/2
35		8	NUT, HEX 1/2-13
36	111 309	1	ELBOW, ST 1/8 X 90 DEG. BRASS
37	478 698	1	SENDER, OIL PRESSURE
38	487 166	1	BELT, FAN
39		4	BOLT, HEX HD. 1/2-13 X 5" W/FW
40	480 742	4	WASHER
41	487 207	2	MOUNT, REAR ENGINE
42	478 685	4	MOUNT, RUBBER (ENGINE)
43		4	BOLT, HEX HD. 1/2 - 13 X 1/2
44		2	SCREW, HEX HD. 5/16 - 18 X 3/4 W/FW & WHIZ NUT
45		1	FUEL/WATER TRAP
46	487 232	1	BRACKET, FUEL FILTER
47		2	SCREW, HEX HD. 5/16 - 24 X 3/4 W/LW
48	487 333	1	REDUCER
49	487 339	1	PIPE WELDMENT
50	487 177	1	ADAPTOR, DRIVE
51		2	BOLT, HEX HD. 1/2-20 X 1 1/4
52	487 174	4	BOLT, HEX HD. 1/2 - 20 X 2"
53	744 469	1	KEY, SQUARE .27 X 1.50
54	487 182	1	COUPLING
55	487 185	1	SLEEVE
56	487 179	1	COUPLING
57	487 188	1	BELL HOUSING
58	487 189	2	COVER, BELL HOUSING
59		12	WASHER, SHAKEPROOF 3/8
60		12	SCREW, HEX HD. 3/8-16 X 3/4
61	488 521	1	PUMP, HYDRO-TRANS
62	488 645	1	ELBOW, 90 DEG.
63	488 713	1	ELBOW, 90 DEG.
64	481 546	3	PLUG, 1/8 - 27 NPT
65	488 710	2	ELBOW, 90 DEG.
66	488 582	1	CONNECTOR ST. THD.
67	488 636	1	ELBOW, 90 DEG.
68		2	BOLT, HEX HD. 1/2 - 13 X 1 1/2
69		2	WASHER, SHAKEPROOF 1/2
70	487 252	2	WASHER, .53
71	488 934	2	FITTING, FUEL
72	487 376	1	PLUG, 5/8 X 1/2 - 27 NPTF
73	369 594	1	SENDER, TEMPERATURE
74	487 181	1	FILTER, OIL PERKINS #1305 - 23 - 802
	487 183	1	GASKET, OIL FILTER PERKINS #1304-23-803
75	744 580	1	PLUG, BRASS PIPE 3/8-18 NPT (NOT SHOWN)
76	487 229	1	BUSHING .19 X .31 X .09 (NOT SHOWN)
77	488 936	1	FUEL LINE .19 X .44 X 8" (NOT SHOWN)
78	756 364	2	CLAMP, HOSE SAE #4 (NOT SHOWN)
79	487 178	1	FUEL FILTER PERKINS #0559-23-570
80	487 291	1	EXHAUST PIPE (ENGINE TO MUFFLER)
81	487 272	1	CLAMP, MUFFLER



FUSE IDENTIFICATION

- 1. IGN. SWITCH
- 2. BRAKE, TURN SIGNAL, AND HORN
- 3. PARKING, GAUGE LIGHTS, AND HEAD LIGHTS
- 4. FAN
- 5. INDICATOR LIGHTS
- 6. INSTRUMENTS AND WARNING LIGHT

ITEM	PART NO	QTY	DESCRIPTION	ITEM	PART NO	QTY	DESCRIPTION
1	489 631	1	TURN SIGNAL ASSEMBLY		448 668	1	FLASHER, SIGNAL 12V
2	478 640	1	SWITCH, KEY		478 275	1	CLIP, FLASHER
3	489 642	14	LAMP BASE ASSEMBLY		441 961	2	BLOCK, FUSE
	489 627	14	LAMP, 14V		489 685	4	WIRE ASS'Y. #10 X 3.50
4	489 584	1	GAUGE, FUEL LEVEL		489 602	1	CONNECTOR ASS'Y
5	489 587	1	GAUGE, OIL PRESSURE		489 621	1	FUSE, 30 AMP
6	478 361	1	METER, HOUR		478 271	5	FUSE, 15 AMP
7	489 590	1	METER, AMP		489 679	1	WIRE ASS'Y #14 X 8.00
8	481 581	1	GAUGE, TEMPERATURE	32	487 158	1	STARTER, ELECTRIC
9	171 225	11	SWITCH, SNAP SPST	33	487 165	1	GLOW PLUG RELAY
10	454 523	4	SOCKET LIGHT	34	487 163	4	GLOW PLUG
11	761 452	1	SWITCH	35	487 159	1	ALTERNATOR
12	478 487	1	MOTOR, SHAKER		487 161	1	VOLTAGE REGULATOR (NOT SHOWN)
13	489 661	1	HARNES ASSEMBLY				
14	489 665	1	HARNES ASSEMBLY				
15	489 639	1	LIGHT WARNING				
16	488 535	1	SWITCH				
17	489 614	1	CABLE, BATTERY - POSITIVE				
18	481 794	1	FAN, CAB (OPTIONAL)				
19	206 962	1	BATTERY 12V				
20	456 458	1	CABLE, BATTERY - NEGATIVE				
21	489 691	1	CABLE ASSEMBLY				
22	489 633	1	LIGHT, UTILITY				
23	478 358	1	SENDER, FUEL LEVEL				
24	489 636	1	SWITCH, HEADLIGHT				
25	207 075	1	SWITCH, UTILITY LIGHT				
26	481 854	1	SWITCH, CAB FAN (optional)				
27	489 697	1	HARNES ASSEMBLY				
28	481 560	2	HEADLAMP ASSEMBLY				
29	442 054	1	HORN				
30	441 555	1	SWITCH, HORN START				
31	489 608	1	ELECTRICAL BOX ASSEMBLY C/O				
	489 599	1	BOX ELECTRICAL				
	489 605	1	CONNECTOR ASS'Y				



ITEM	PART NO	QTY	DESCRIPTION	ITEM	PART NO	QTY	DESCRIPTION
1	487 412	1	CARBURETOR & GASKET	21	756 743	1	ELBOW, ST.
2	487 393	2	ELBOW 90 DEG.	22	487 425	1	BARB, HOSE
3	487 402	2	SWIVEL 45 DEG. SAE	23	112 771	2	CLAMP, HOSE
4	487 395	1	HOSE .62 X 42.00	24	487 398	1	HOSE, .62 X 26.00
5		2	SCREW, HEX HD. 3/8-16 X 5/8	25	456 608	1	ELBOW, 90 DEG.
6		2	WASHER, SHAKEPROOF 3/8	26	456 614	2	SWIVEL 45 DEG. SAE
7	487 429	1	COVER, FUEL PUMP	27	487 400	1	HOSE .31 X 108.00
8	487 428	1	GASKET, FUEL PUMP	28	456 600	1	ADAPTOR, MALE
9		2	NUT, WHIZ 1/4-20	29	369 675	1	COUPLER, FEMALE
10	487 410	1	BRACKET, MOUNTING	30	481 684	1	HOSE .187 X 48.00
11		2	SCREW, HEX WASHER HD. 1/4-20 X 1/2	31		4	NUT, HEX 3/8-16
12		2	SCREW, PAN HD. 1/4-20 X 1 1/4	32		4	WASHER, FLAT 3/8
13	487 414	1	VAPORIZER - REGULATOR	33		4	SCREW, HEX HD. 3/8-16 X 3/4
14	456 606	1	ELBOW, 90 DEG.	34	481 912	1	BRACKET, LP TANK MOUNTING
15	456 616	2	SWIVEL, 45 DEG. SAE	35	456 590	1	TANK, LP 33# (OPTIONAL)
16	487 406	1	HOSE, .38 X 37.00	36	489 616	1	CORD ASSEMBLY
17	487 408	1	ELBOW, 45 DEG.	37	489 618	1	WIRE ASSEMBLY
18	300 152	1	CLAMP, "P"	38	478 246	8	TIE, WIRE (NOT SHOWN)
19	368 938	1	ELBOW, STREET 1/4 X 45 DEG. BR.				
20	487 404	1	FILTER LOCK 21.50				
	487 405	1	ELEMENT & GASKET KIT (NOT INCLUDED)				

INSTALLATION INSTRUCTIONS

USE L.P.G KIT PART NO.486 004

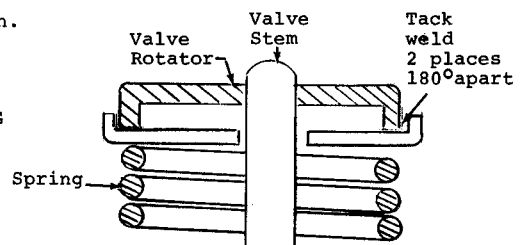
- Lift Hopper and lock in place using safety pins and blocks.
- Siphon off as much fuel as possible from fuel tank. Clear fuel from fuel lines by running engine until it stalls.
- Disconnect the positive (+) battery terminal.
- Remove fuel pump and fill opening with fuel pump cover (7) and gasket (8). Remove fuel filter and all fuel lines.
- Remove air intake elbow from carburetor.
- Remove carburetor and carburetor gasket. Disconnect and remove choke cable and controls, and the linkage from governor at the carburetor.
- Mount elbow 90°(2) to carburetor (1). Mount carburetor and gasket (1) with throttle linkage facing the left side. Attach vacuum lines.
- The valve rotator must be tack welded for L.P.G.operation. Remove valve cover.

WARNING WELDING GROUND SHOULD BE ATTACHED TO SPRING OF ROTATOR BEING WELDED AND NOT TO THE ENGINE BLOCK. FAILURE TO DO SO COULD RESULT IN THE VALVES BEING WELDED SHUT.

Tack weld as shown, replace valve cover.

NOTE ALL THREADS MUST BE SEALED WITH TEFLON TAPE OR EQUIVALENT.

- Mount the following fittings to regulator (13):-
 - Elbow 90 (14) to the water inlet port.
 - Elbow 90 (2) to gas outlet port.
 - Elbow 90 (19) to gas inlet port of regulator.
 - Elbow 45 (21) to water outlet port.
- Attach solenoid (20) to elbow (19), making sure that the arrow indicating direction of flow points to the regulator. Fit elbow 90°(25) to opposite port of solenoid (20), and elbow 45°(17) to the water outlet of engine.
- Construct hose assemblies in the following manner:-
 - Hose (4) .62 x 42.00 with swivel (3) on both ends.
 - Hose (15) 3/8 x 37.00 with swivel (15) on both ends.
 - Hose (27) 5/16 x 108.00 with swivel (26) on both ends and attaching male adapter (28) and female coupler (29) to the swivel on one end only.
- Fit hoses as follows:-
 - Gas hose (4) from carburetor to the elbow (2) on gas suction port on regulator.
 - Water hose (16) from the water inlet port on regulator to block fitting (17).
 - Water hose (24) from elbow (21) and barb (22) on regulator to water pump.
 - Gas hose (27) from inlet port elbow (25) of solenoid (20) to male coupler on L.P.tank (35).
 - Hose (30) from vacuum port on regulator (13) to vacuum port of carburetor (1).
- Connect wiring as shown on wiring diagram. Clamp cable (36) to regulator (13) using clamp (18).
- This completes installation of the L.P.Gas Kit. Advance engine timing 4°degrees.



ATTACH GROUND TO SPRING OF ROTATOR BEING WELDED

ADJUSTING INSTRUCTIONS

The carburetor is preset at the factory and the only adjustment required would be for mixture. Using the spring loaded fuel mixture screw, rotate clockwise or counterclockwise to achieve a smooth idle.