



Electronic Service Manuals

This electronic document is provided as a service to our customers. We do not create the contents of the information contained in this document. Should you have detailed questions pertaining to the information contained in this document, you may contact Michco, or the manufacturer which provided the original information in this electronic deliverable. Michco's only part in this electronic deliverable was the electronic assembly process.

You may contact Michco through the following methods:
Phone (517) 484-9312 or (800) 331-3339 MI, OH, IN only
2011 N. High St. -- Lansing, Michigan -- 48906
Fax: (517) 484-9836
Email: CustServ@Michco.com
Web site: www.Michco.Com
Parts Web site: www.FloorMachineParts.Com

Order Parts on Line at:
www.FloorMachineParts.Com

Directly to Parts & Service:
By Email: **Shop@Michco.com**
By Fax: (517) 702-2041
By Voice: Use numbers above.

Serving the Cleaning Industry Since 1922

Notice: All copyrighted material remains property of original owners, all trademarks are property of respective owners. Manuals are subject to Manufacturer's reproduction limitations. Originals or reproductions were provided by manufacturers through a request. We make no warranty as to the correctness of information provided in this document and you assume all risk.

Retriever™



PARTS LIST **Advance MODEL 5200HD(OBSOLETE)**



Nilfisk
Advance

setting standards

10/87 revised 2/01 FORM NO. 56042173

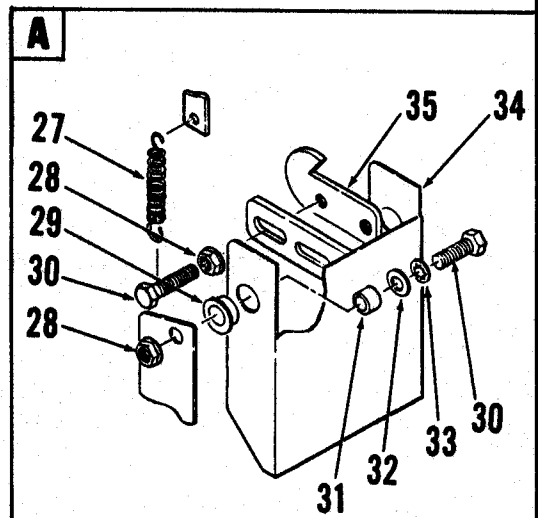
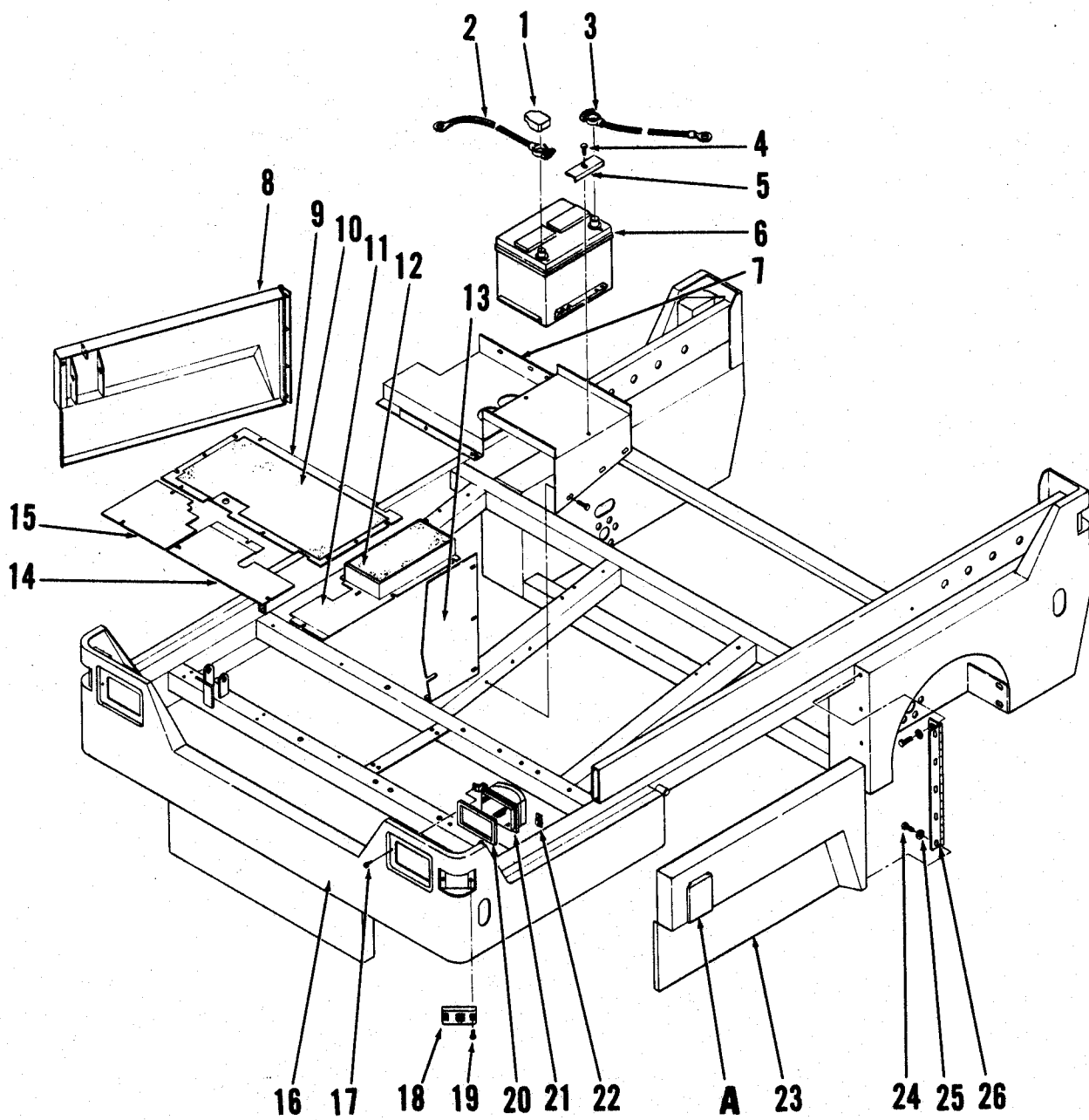
TABLE OF CONTENTS

DESCRIPTION	PAGE
CHASSIS	1-2
WHEEL, FRONT DRIVE & STEERING	3-4
WHEELS, REAR & BRAKES	5-6
ENGINE AIR FILTER & FIREWALL	7-8
INSTRUMENT PANEL & FUSE BOX	9-10
HOPPER ARMS	11-12
BROOM DRIVE	13-14
HYDRAULIC OIL FILTER & TANK	15-16
HYDRAULIC PUMP, ENGINE & FUEL TANK	17-18
RADIATOR & HYDRAULIC OIL COOLER	19-20
WIRING DIAGRAM	21-22
CONTROL PANEL	23-24
DRIVE PEDAL LINKAGE	25-26
DUST CONTROL IMPELLER	27-28
HOPPER	29-30
DUST CONTROL FILTER BOX HOUSING	31-32
HYDRAULIC DIAGRAM	33-34
BROOM, RIGHT SIDE	35-36
OUTER BODY	37-38
BROOM, LEFT SIDE (OPTIONAL)	39-40
LP SYSTEM	41-42
DIESEL ENGINE	43-44

WHEN ORDERING PARTS

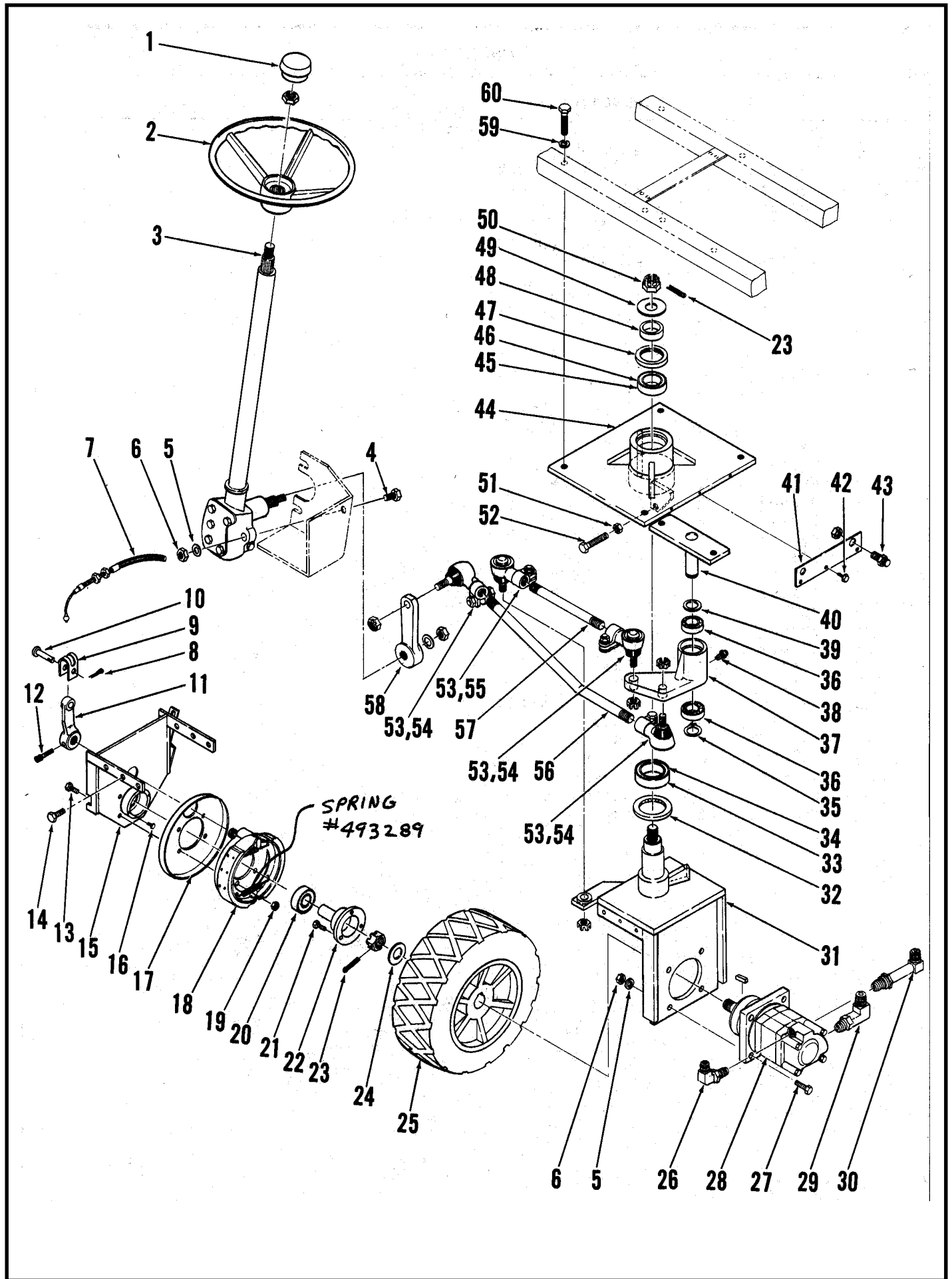
- * Use the 8 digit numbers from the "Part No." columns in this parts list.
- * Specify the model and serial number of the machine.
- * Use the space below to record the model and serial number for future reference.

Model _____ Serial No. _____



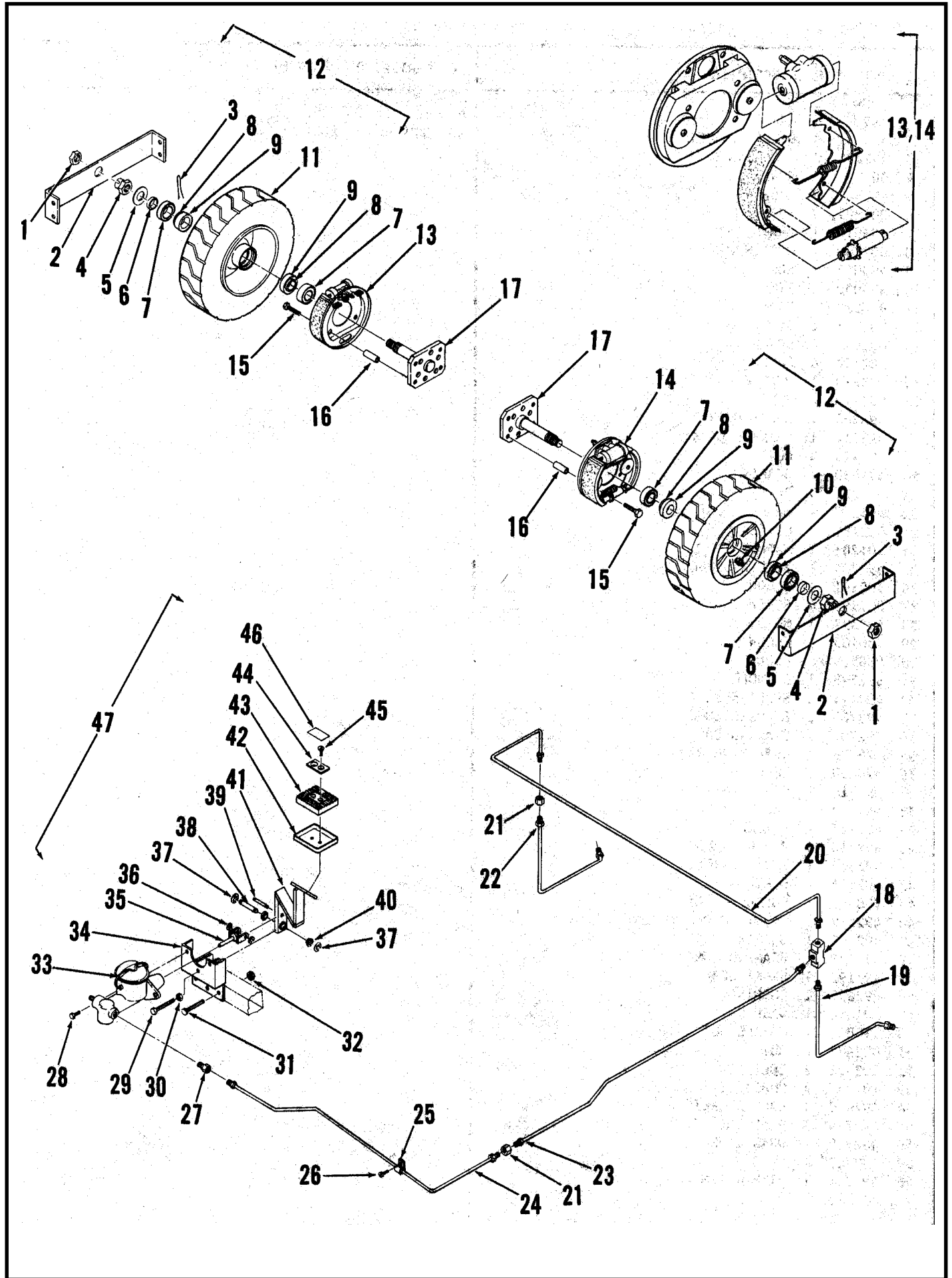
CHASSIS

Item	Part No.	Qty	Description
1	56372673	2	Boot
2	56393234	1	Negative Cable
3	56386975	1	Positive Cable
4	56002221	2	Bolt
5	56492478	2	Clamp
6	56441511	1	Battery (Optional)
7	56492768	1	Platform
8	56492952	1	R.H. Door Assembly
	56492993	1	R.H. Door
9	56493123	1	Floor Plate
10	56493231	1	Floor Mat
11	56493124	1	Floor Plate
12	56493232	1	Floor Mat
13	56493064	1	Panel
14	56493121	1	Floor Plate
15	56493122	1	Floor Plate
16	56492432	1	Chassis
17	56002683	4	Screw
18	56492799	2	Amber Lens
19	56002003	2	Screw
20	56492796	2	Gasket
21	56492797	2	Headlight
22	56493061	4	Clamp
23	56492951	1	L.H. Door Assembly
	56492992	1	L.H. Door
24	56002513	18	Screw
25	56002098	18	Washer
26	56496021	2	Hinge
27	56344354	2	Spring
28	56001827	6	Nut
29	56491646	4	Flange Bearing
30	56002093	6	Screw
31	56151106	4	Bushing
32	56002098	6	Washer
33	56001803	6	Washer
34	56496027	2	Handle
35	56496039	2	Tab



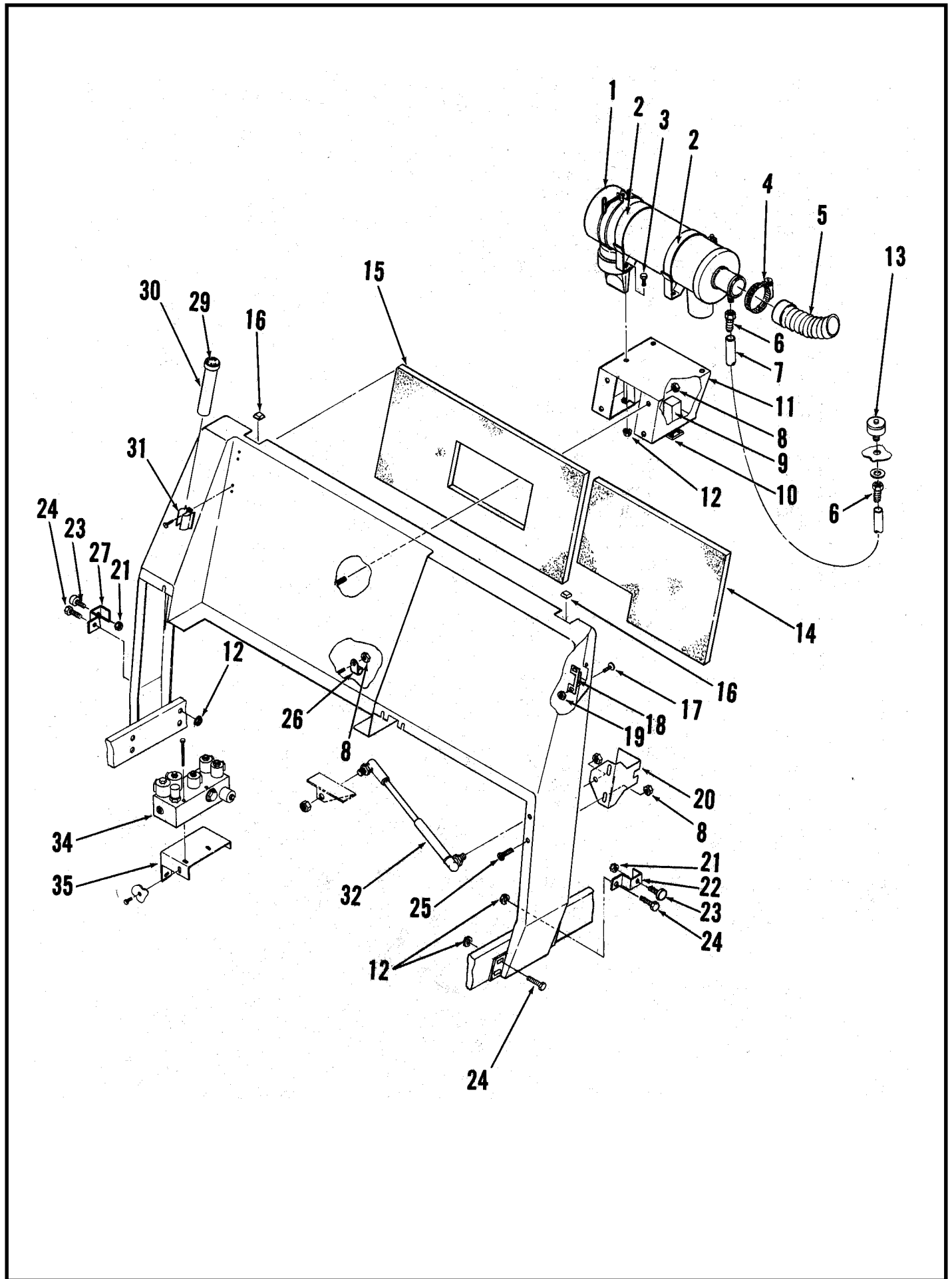
DRIVE WHEEL ASSEMBLY

Item	Part No.	Qty	Description	Item	Part No.	Qty	Description
1	56449774	1	Cap	31	56492598	1	Spindle
2	56493047	1	Steering Wheel	32	56493191	1	Shaft Seal
3	56492770	1	Steering Gear	33	56492700	1	Bearing Cone
4	56001931	3	Screw	34	56492702	1	Bearing Cup
5	56001809	7	Washer	35	56478778	1	Retaining Ring
6	56001891	7	Nut	36	56378380	2	Bearing
7	56493010	1	Brake Cable	37	56492716	1	Pivot Arm
8	56002166	1	Cotter Pin	38	56468139	1	Grease Fitting
9	56493045	1	Yoke	39	56492723	1	Spacer
10	56493030	1	Pin	40	56492718	1	Pin Weldment
11	56493222	1	Brake Arm	41	56492618	1	Tube Plate
12	56001961	1	Screw	42	56002514	3	Screw
13	56001858	4	Screw	43	56900386	1	Bulkhead Union
14	56002127	6	Screw	44	56492599	1	Mounting Plate
15	56493220	1	Bracket	45	56492697	1	Bearing Cup
16	56002519	2	Screw	46	56492699	1	Bearing Cone
17	56493200	1	Brake Guard	47	56493192	1	Shaft Seal
18	56493214	1	Parking Brake	48	56492695	1	Bushing
19	56002123	4	Nut	49	56101656	1	Washer
20	56479430	1	Bearing	50	56110817	1	Castle Nut
21	56002221	3	Bolt	51	56002682	2	Nut
22	56493190	1	Brake Pilot	52	56002681	2	Bolt
23	56002181	3	Cotter Pin	53	56101737	4	Lube Fitting
24	56101281	1	Washer	54	56492600	3	Ball Socket
25	56493205	1	Tire Assembly	55	56492774	1	Ball Socket
26	56900101	1	Elbow	56	56492989	1	Drag Link
27	56001995	4	Screw	57	56492703	1	Drag Link
28	56492597	1	Motor	58	56492771	1	Pitman Arm
29	56900105	1	Elbow	59	56163449	5	Washer
30	56900525	1	Elbow	60	56002680	4	Bolt



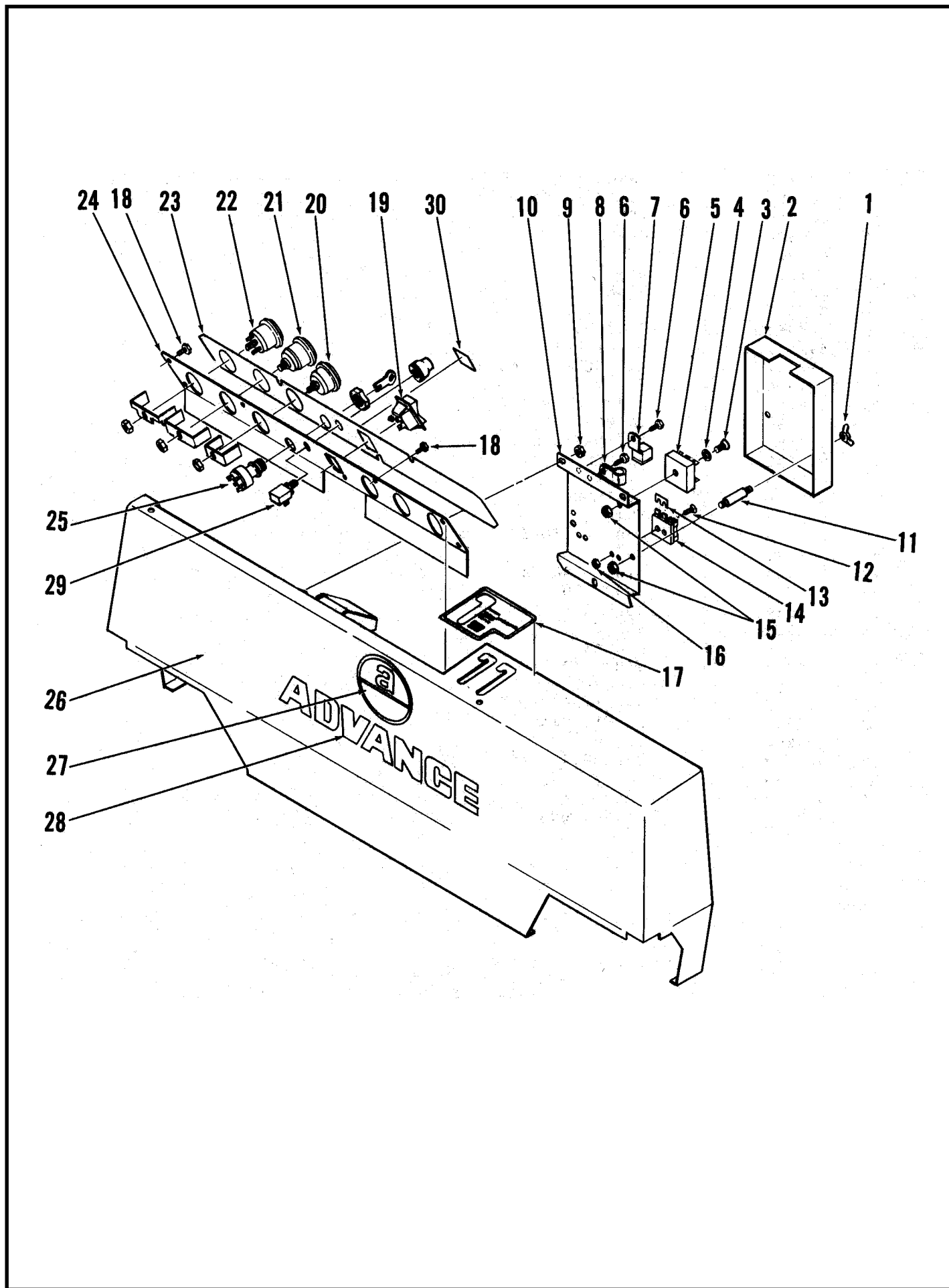
REAR WHEEL ASSEMBLY

Item	Part No.	Qty	Description
1	56493325	1	Nut
2	56493350	2	Gusset
3	56002181	2	Cotter Pin
4	56101265	2	Castle Nut
5	56101281	2	Washer
6	56477729	2	Spacer
7	56477724	4	Seal
8	56378267	4	Bearing Cone
9	56378259	4	Bearing Cup
10	56344362	2	Lube Fitting
11	56448145	2	Tire
12	56493341	2	Tire Assembly
13	56493317	1	Right Stator Assembly
14	56493316	1	Left Stator Assembly
15	56900704	8	Bolt
16	56492596	8	Spacer
17	56493360	2	Spindle
18	56493303	1	Tee
19	56492580	1	Brake Line
20	56492581	1	Brake Line
21	56493305	2	Adapter
22	56492582	1	Brake Line
23	56492579	1	Brake Line
24	56492578	1	Brake Line
25	56220507	7	Clip
26	56002520	7	Screw
27	56493301	1	Adapter
28	56001887	2	Bolt
29	56002350	1	Screw
30	56001827	1	Nut
31	56002426	3	Bolt
32	56001806	3	Nut
33	56477828	1	Master Cylinder
34	56492705	1	Cylinder Support
35	56492712	1	Push Rod
36	56321125	2	Retaining Ring
37	56321427	2	Retaining Ring
38	56492715	1	Pin
39	56493252	1	Pin
40	56324505	2	Bearing
41	56492710	1	Pedal Arm
42	56365087	1	Pedal Cup
43	56365086	1	Rubber Pad
44	56365081	1	Plate
45	56002516	2	Screw
46	56025122	1	Decal
47	56492576	1	Brake Pedal Assembly



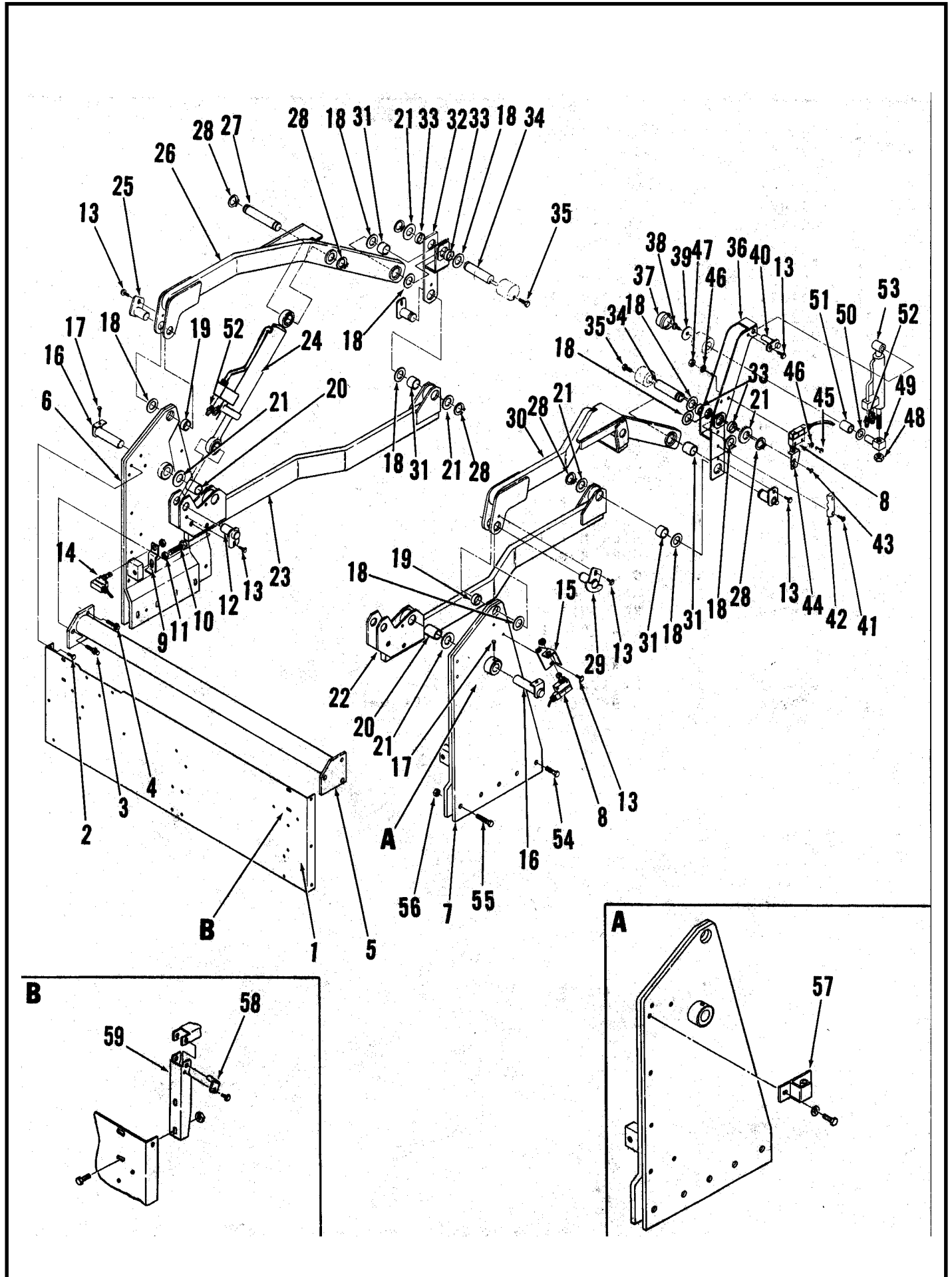
FIREWALL ASSEMBLY

Item	Part No.	Qty	Description
1	56478710	1	Air Filter Assembly
	56478720	1	Outer Filter Element
	56478722	1	Inner Filter Element
2	56480650	2	Mounting Band
3	56001862	4	Bolt
4	56440221	2	Clamp
5	56492960	1	Hose
6	56751300	2	Barb
7	56480827	1	Hose
8	56001827	10	Nut
9	56492961	2	Relay
10	56492325	2	Relay Clip
11	56492987	1	Air Cleaner Mount
12	56001806	12	Nut
13	56478461	1	Service Indicator
14	56493185	1	Insulation
15	56493183	1	Insulation
16	56492940	2	Bumper
17	56001993	4	Screw
18	56492946	2	Striker
19	56002565	4	Nut
20	56492504	1	Door Cylinder Bracket
21	56001976	2	Nut
22	56492943	1	Stop Bracket
23	56386312	2	Door Stop
24	56002094	8	Bolt
25	56002066	2	Screw
26	56493230	2	P Clamp
27	56492945	1	Stop Clamp
28	56492957	1	Fire Wall
29	56025120	1	Safety Pin Decal
30	56477580	1	Safety Pin
31	56493204	2	Clamp
32	56385238	1	Cylinder
33	56002689	2	Screw
34	56492430	1	Valve
35	56492769	1	Valve Mount



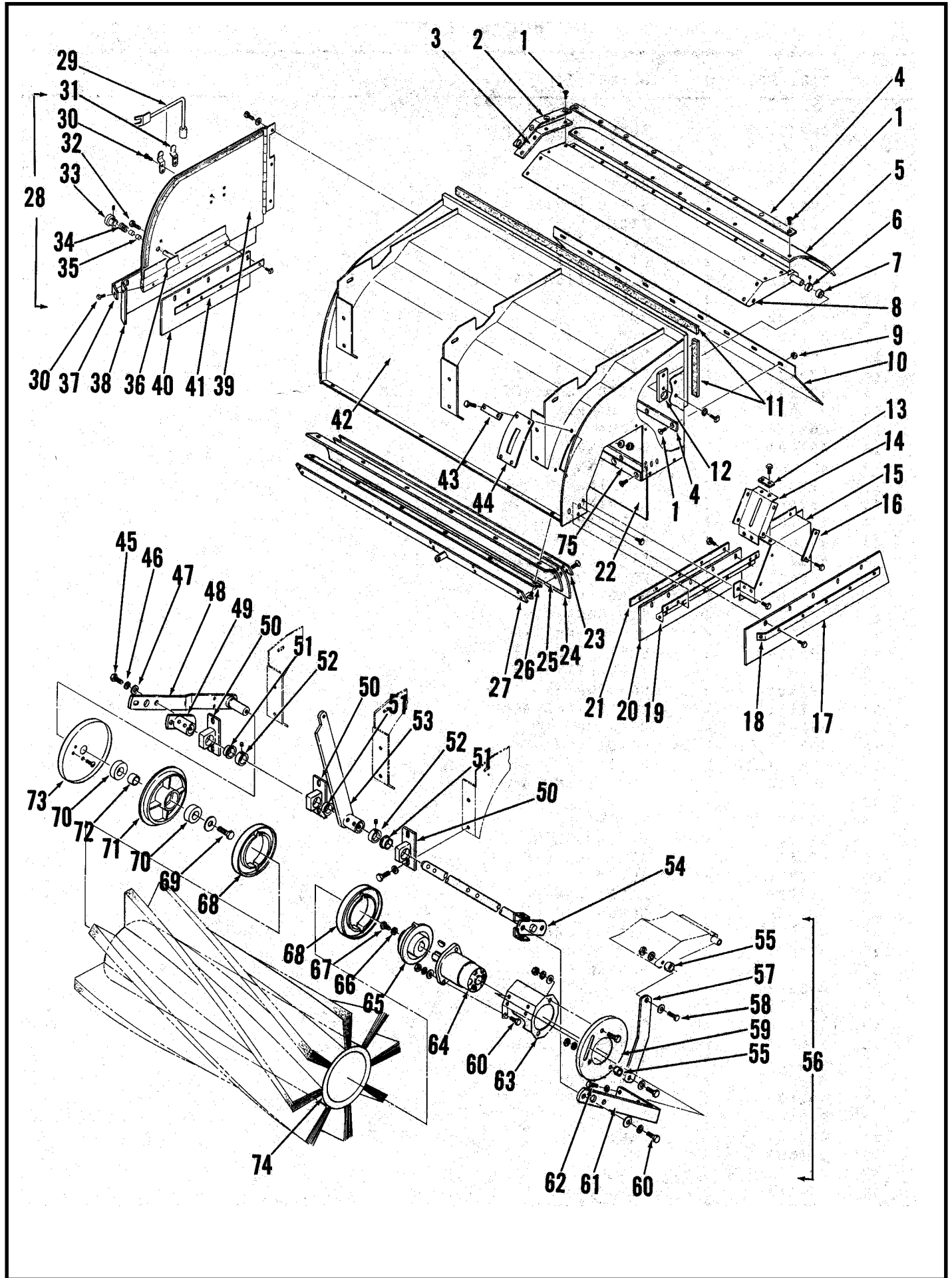
COWL ASSEMBLY

Item	Part No.	Qty	Description
1	56754218	2	Wing Nut
2	56492294	1	Cover
3	56002136	1	Screw
4	56002001	1	Washer
5	56491870	1	Time Delay
6	56002520	3	Screw
7	56491862	1	Relay
8	56442003	1	Clamp
9	56001827	3	Whiz Nut
10	56492855	1	Electrical Panel
11	56492292	2	Fastener
12	56002278	4	Screw
13	56492293	2	Buss Bar
14	56441961	2	Fuse Block
	56448667	3	10A Fuse
	56478271	2	15A Fuse
15	56101950	3	Whiz Nut
16	56102199	4	Whiz Nut
17	56026513	1	Decal
18	56026683	7	Screw
19	56376348	1	Light Switch
20	56494902	1	Indicator Light
21	56478363	1	Hour Meter
22	56489598	1	Fuel Gauge
23	56026513	1	Decal
24	56492865	1	Gauge Panel
25	56478640	1	Key Switch
26	56492857	1	Cowl Panel
27	56023308	1	Logo Decal
28	56016973	1	Advance Decal
29	56468175	1	Switch (Diesel only)
30	56493218	1	Glow Plug Decal (Diesel only)



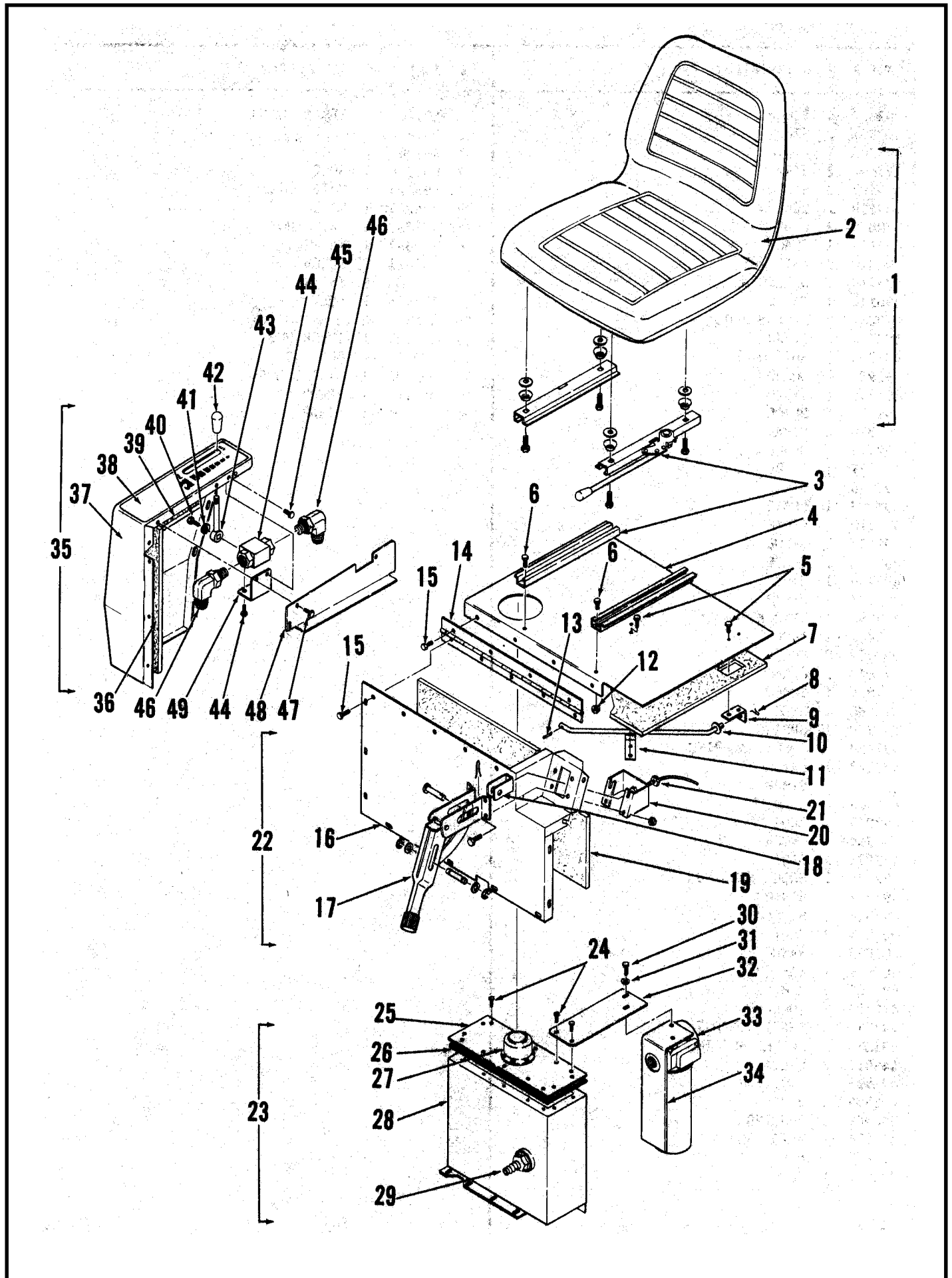
HOPPER ARMS

Item	Part No.	Qty	Description
1	56492337	1	Support Fin Brace
2	56001974	6	Bolt
3	56900703	4	Bolt
4	56900702	2	Bolt
5	56492405	1	Support Pipe
6	56492404	1	Right Fin
7	56492403	1	Left Fin
8	56493032	2	Limit Switch
9	56492382	1	Arm Switch Bracket
10	56002217	2	Bolt
11	56002682	2	Nut
12	56492423	2	Pivot Pin
13	56002513	9	Screw
14	56493137	1	Switch
15	56492395	1	Switch Bracket
16	56492422	2	Pivot Pin
17	56002514	2	Screw
18	56494001	10	Bearing
19	56492465	20	Bearing
20	56494003	2	Bearing
21	56492468	6	Bearing
22	56492408	1	Left Arm
23	56492409	1	Right Arm
24	56493273	2	Lift Cylinder
25	56492425	1	Right Pivot Pin
26	56492407	1	Right Lift Arm
27	56492372	2	Cylinder Pin
28	56478778	8	Retaining Ring
29	56492424	1	Left Pivot Pin
30	56492406	1	Left Lift Pin
31	56492464	4	Bearing
32	56492411	1	Connecting Arm
33	56492446	4	Bearing
34	56492371	2	Pivot Pin
35	56002127	2	Bolt
36	56492410	1	Connecting Arm
37	56492473	1	Cap
38	56002503	1	Screw
39	56387684	1	Stop Washer
40	56492420	1	Cylinder Pin
41	56002266	2	Screw
42	56492777	1	Hose Clamp
43	56002306	2	Screw
44	56493106	1	Switch Bracket
45	56002697	2	Screw
46	56002140	4	Washer
47	56002562	2	Nut
48	56001807	2	Nut
49	56492370	1	Pin
50	56492469	1	Thrust Bearing
51	56492467	1	Bearing
52	56900001	2	Connector
53	56492477	1	Cylinder
54	56002684	2	Bolt
55	56002058	8	Bolt
56	56001894	10	Nut
57	56492936	4	Hinge
58	56492414	2	Pin
59	56492916	2	Hinge Support



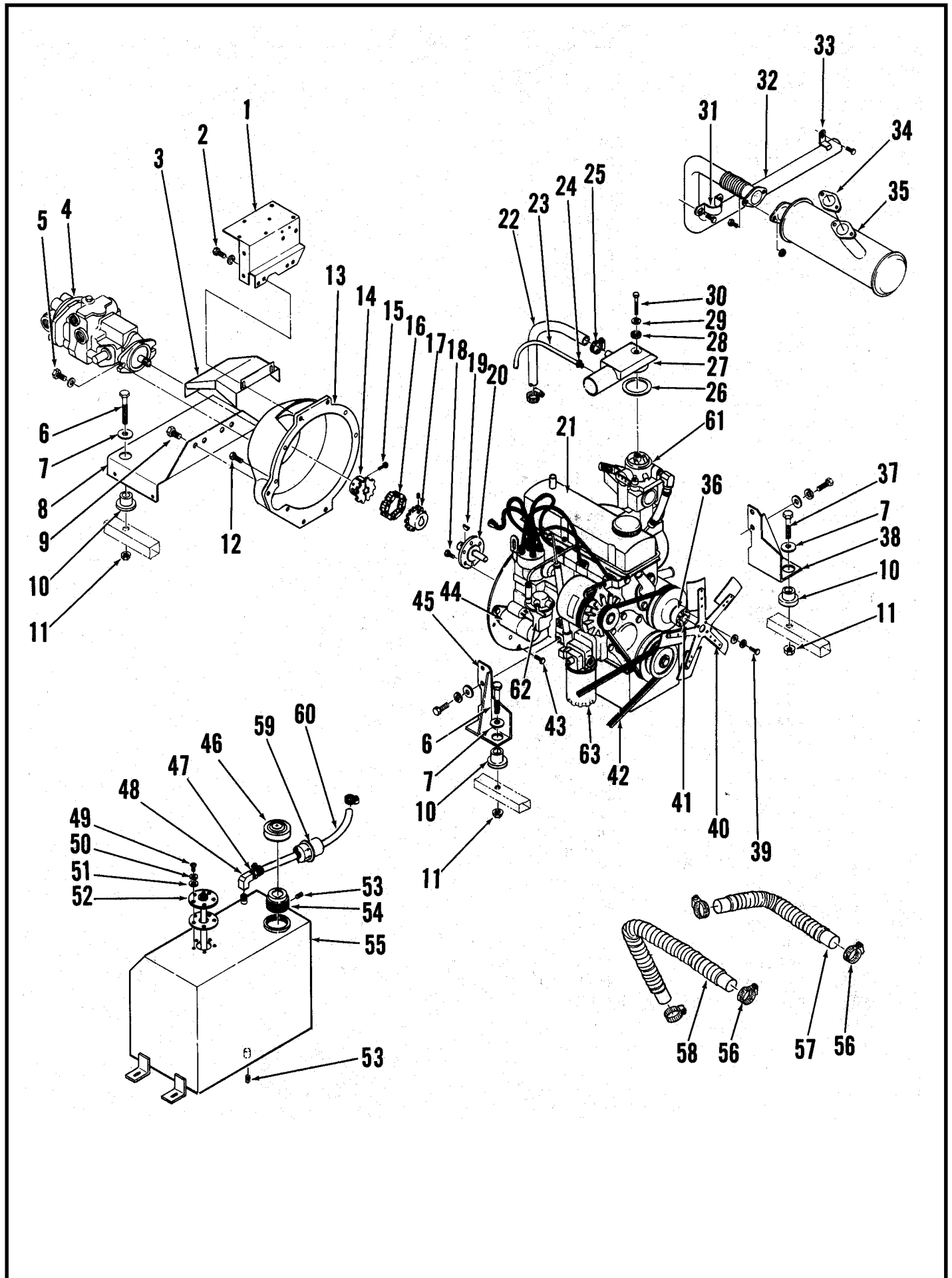
MAIN BROOM & HOUSING

Item	Part No.	Qty	Description	Item	Part No.	Qty	Description
1	56002519	26	Screw	40	56492969	1	Inner Blade
2	56493691	2	Strap	41	56492971	1	Strap
3	56493700	2	Strip	42	56492522	1	Broom Housing
4	56493694	2	Strap	43	56493851	4	Strap
5	56493697	2	Strip	44	56493848	2	Shield
6	56449228	2	Collar	45	56001895	2	Bolt
7	56370878	2	Bearing	46	56001809	1	Washer
8	56493679	1	Flap	47	56001879	1	Washer
9	56002010	9	Whiz Nut	48	56492502	1	Arm
10	56493718	1	Deflector	49	56492503	1	Collar
11	56490110	1	Gasket	50	56493592	3	Shaft Support
12	56479267	2	Pillow Block	51	56491650	3	Flange Bearing
13	56493739	2	Strip	52	56444820	2	Collar
14	56493733	1	Shield	53	56492523	1	Lift Bar
15	56492981	1	Guard	54	56492509	1	Bar
16	56493736	1	Strap	55	56368989	1	Bushing
17	56492974	1	Blade	56	56492574	1	Motor Arm Assembly
18	56492975	1	Strap	57	56493670	1	Bar
19	56492972	1	Blade	58	56001821	1	Screw
20	56492977	1	Blade	59	56493751	1	String Guard
21	56492978	1	Strap	60	56001930	4	Bolt
22	56493793	1	Blade	61	56492986	1	Arm
23	56492510	1	Strap	62	56001974	4	Bolt
24	56492813	1	Blade	63	56493613	1	Motor Bracket
25	56492524	1	Blade	64	56496205	1	Motor
26	56493769	1	Strap	65	56477762	1	Drive Hub
27	56492513	1	Strap	66	56159387	1	Washer
28	56492980	1	Door Assembly	67	56001821	1	Screw
29	56493802	1	Tool	68	56493501	2	Insert
30	56002508	10	Screw	69	56001974	1	Bolt
31	56477620	2	Clamp	70	56479430	2	Bearing
32	56001854	1	Screw	71	56493845	1	Idler Hub
33	56475480	1	Knob	72	56479434	1	Bushing
34	56491900	1	Spring	73	56493754	1	String Guard
35	56491658	2	Sheave Bearing	74	56493506	1	Broom
36	56493827	1	Latch	75	56493796	1	Strap
37	56492967	1	Strap				
38	56492966	1	Blade				
39	56492963	1	Door				



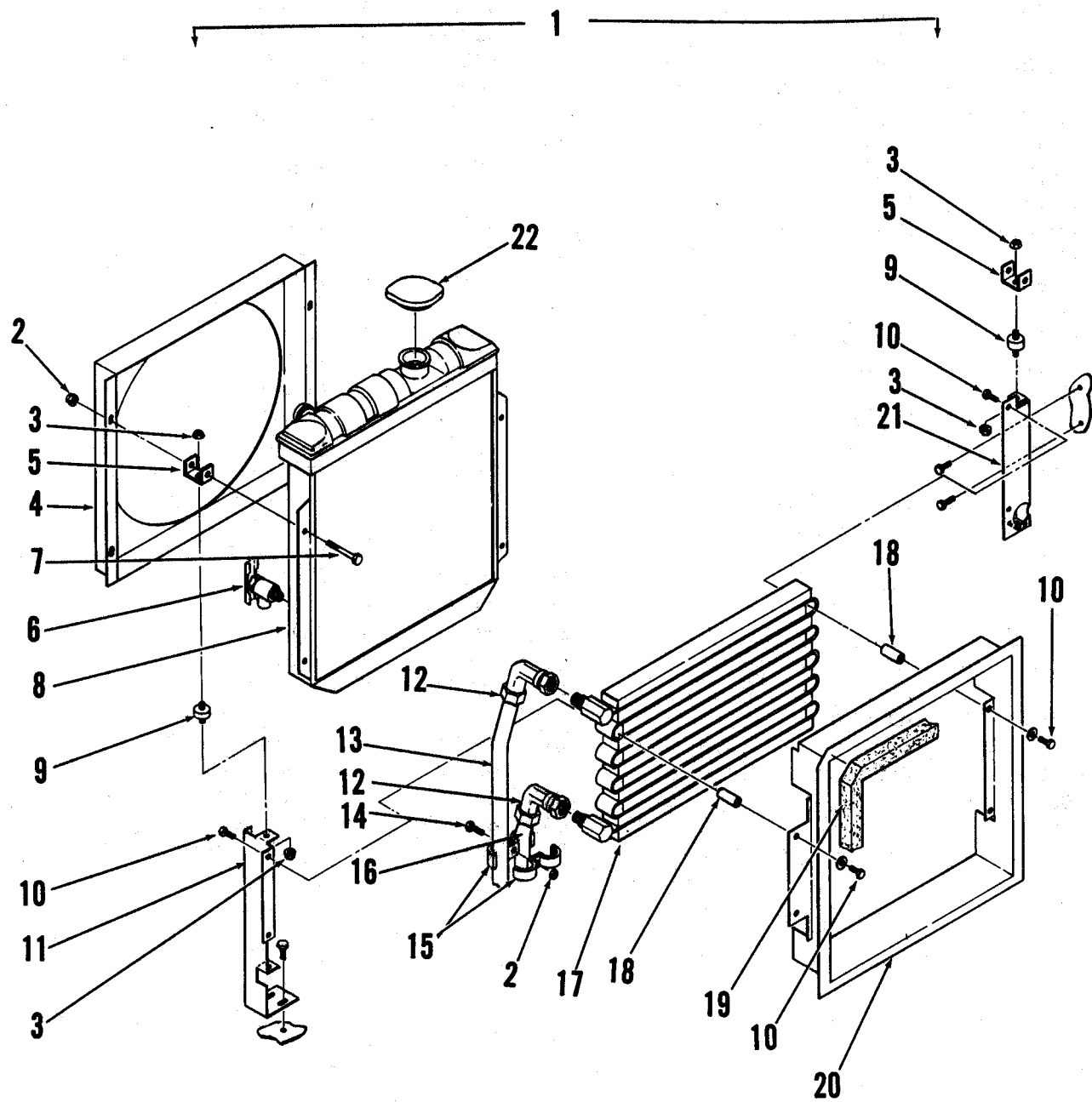
SEAT ASSEMBLY

Item	Part No.	Qty	Description
1	56492995	1	Seat Assembly
2	56481346	1	Seat
3	56495871	1	Seat Slide
4	56493040	1	Panel
5	56002519	4	Screw
6	56001974	8	Bolt
7	56493208	1	Foam
8	56002038	1	Cotter Pin
9	56493042	1	Bracket
10	56493036	1	Prop Rod
11	56493206	1	Keeper
12	56001806	4	Nut
13	56001984	1	Spring Pin
14	56495876	1	Hinge
15	56001854	9	Screw
16	56492949	1	Seat Support
17	56448200	1	Brake Lever
18	56493045	1	Yoke
19	56493186	1	Foam
20	56493043	1	Cable Bracket
21	56493010	1	Brake Cable
22	56492955	1	Parking Brake Assembly
23	56492614	1	Reservoir Assembly
24	56002519	14	Screw
25	56492728	1	Cover
26	56200754	1	Gasket
27	56479656	1	Filler Cap
28	56492688	1	Reservoir
29	56900645	1	Barb
30	56002127	2	Bolt
31	56002063	2	Washer
32	56492758	1	Support
33	56496207	1	Filter Assembly
	56496209	1	Filter Element
34	56492759	1	Support
35	56492795	1	Side Panel Assembly
36	56493187	1	Foam
37	56492793	1	Side Panel
38	56026519	1	Decal
39	56493188	1	Foam
40	56002503	1	Screw
41	56001954	1	Washer
42	56492792	1	Knob
43	56493228	1	Lever
44	56496273	1	Valve
45	56001861	4	Screw
46	56900104	1	Elbow
47	56002683	3	Screw
48	56495988	1	Panel
49	56495142	1	Bracket



GAS ENGINE ASSEMBLY

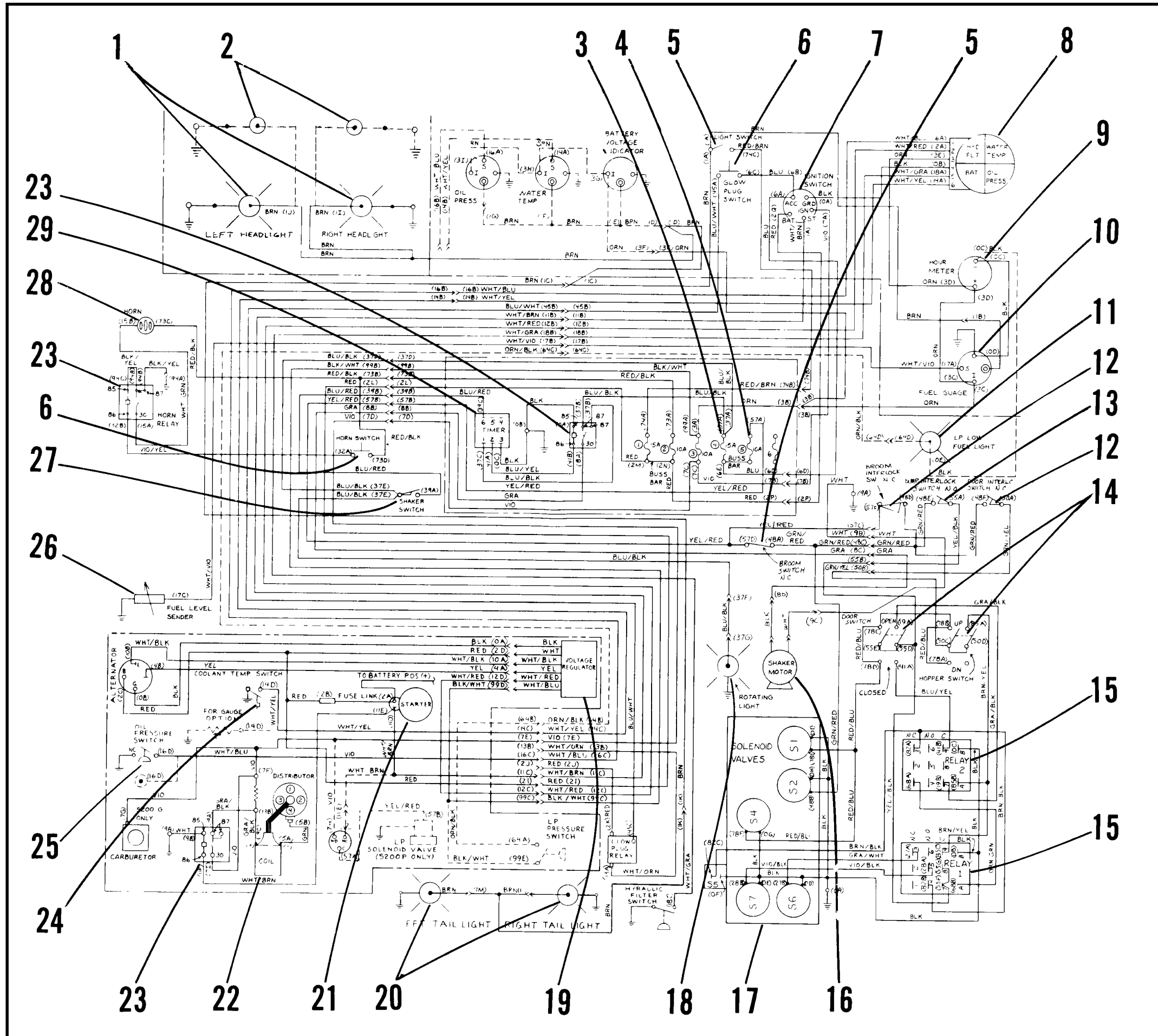
Item	Part No.	Qty	Description	Item	Part No.	Qty	Description
1	56482191	1	Accessory Plate	33	56492791	1	Clamp
2	56481693	2	Bolt	34	56492615	1	Gasket
3	56481689	1	Cover	35	56492786	1	Muffler
4	56492789	1	Pump Assembly	36	56492152	1	Spacer TSB 439
	56492790	1	Repl. Gear Pump for above	37	56002533	2	Bolt
5	56001858	2	Bolt	38	56492781	1	Engine Mount
6	56002116	2	Bolt	39	56001836	4	Screw
7	56001879	1	Washer	40	56456551	1	Fan TSB 439
8	56492784	1	Rear Engine Mount	41	56492186	4	Bolt
9	56001996	2	Bolt	42	56494501	1	V-Belt
10	56478685	4	Rubber Mount	43	56001856	2	Bolt
11	56001891	4	Nut	44	56481577	1	Starter
12	56492619	4	Bolt	45	56492778	1	Engine Mount
13	56481687	1	Bell Housing	46	56478502	1	Gas Cap
14	56480826	1	Sprocket	47	56477523	1	Barb
15	56002273	2	Screw	48	56111295	1	Elbow
16	56480820	1	Chain	49	56002312	5	Screw
17	56480817	1	Sprocket	50	56001981	5	Washer
18	56493226	6	Screw	51	56001954	5	Washer
19	56378291	1	Woodruff Key	52	56478358	1	Fuel Level Sender
20	56481195	1	Drive Adapter	53	56481546	2	Plug
21	56492620	1	Engine	54	56492748	1	Filler Neck
22	56456426	1	Hose	55	56492806	1	Fuel Tank
23	56370002	1	Tube	56	56131601	16	Hose Clamp
24	56477522	1	Barb	57	56492611	1	Hose
25	56244969	1	Hose Clamp	58	56456304	1	Hose
26	56492617	1	Gasket	59	56480679	1	Fuel Filter
27	56492819	1	Air Horn	60	56492629	1	Fuel Line
28	56209596	1	Washer	61	56492255	1	Carburetor TSB 429
29	56002098	1	Washer		56478493	1	Gasket for above Carburetor
30	56493229	1	Screw	62	56492256	1	Fuel Pump
31	56492767	1	Clamp	63	56492258	1	Engine Oil Filter
32	56492787	1	Exhaust Pipe	64	56481763	1	V-Belt (alternator)



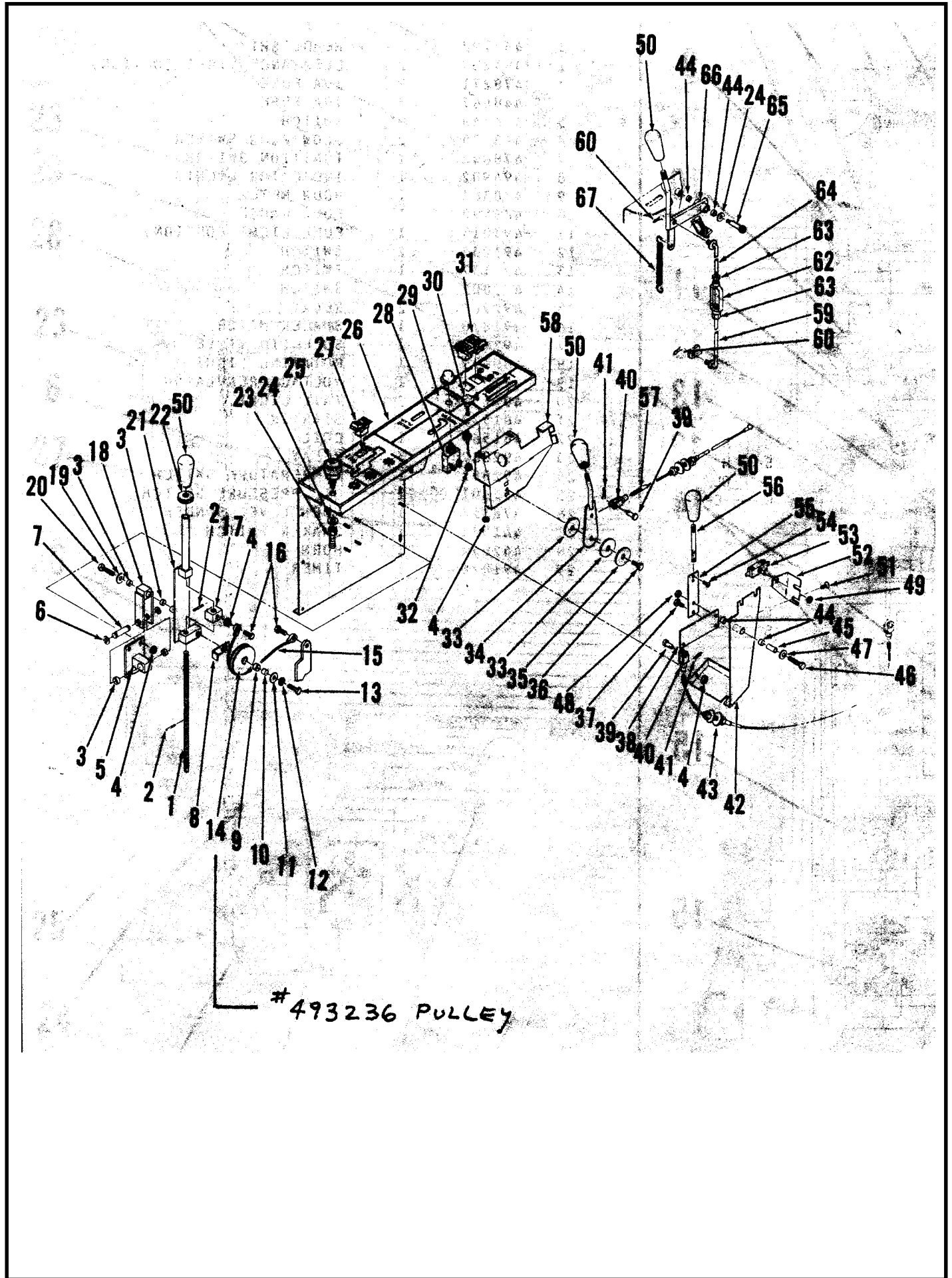
RADIATOR ASSEMBLY

Item	Part No.	Qty	Description
1	56492586	1	Radiator Assembly
2	56150975	5	Nut
3	56001827	8	Nut
4	56492743	1	Shroud
5	56492150	4	U-Bracket
6	56386420	1	Drain Valve
7	56001874	4	Screw
8	56492607	1	Radiator
9	56478684	4	Rubber Mount
10	56001854	8	Screw
11	56492746	1	Front Support
12	56900306	4	Swivel
13	56492660	1	Tube - Cooler
14	56001833	1	Screw
15	56492755	1	Clamp
16	56492661	1	Tube - Cooler
17	56487380	1	Cooler
18	56161703	4	Spacer
19	56492505	1	Gasket
20	56493072	1	Front Shroud
21	56493067	1	Rear Support
22	56456431	1	Cap

WIRING DIAGRAM

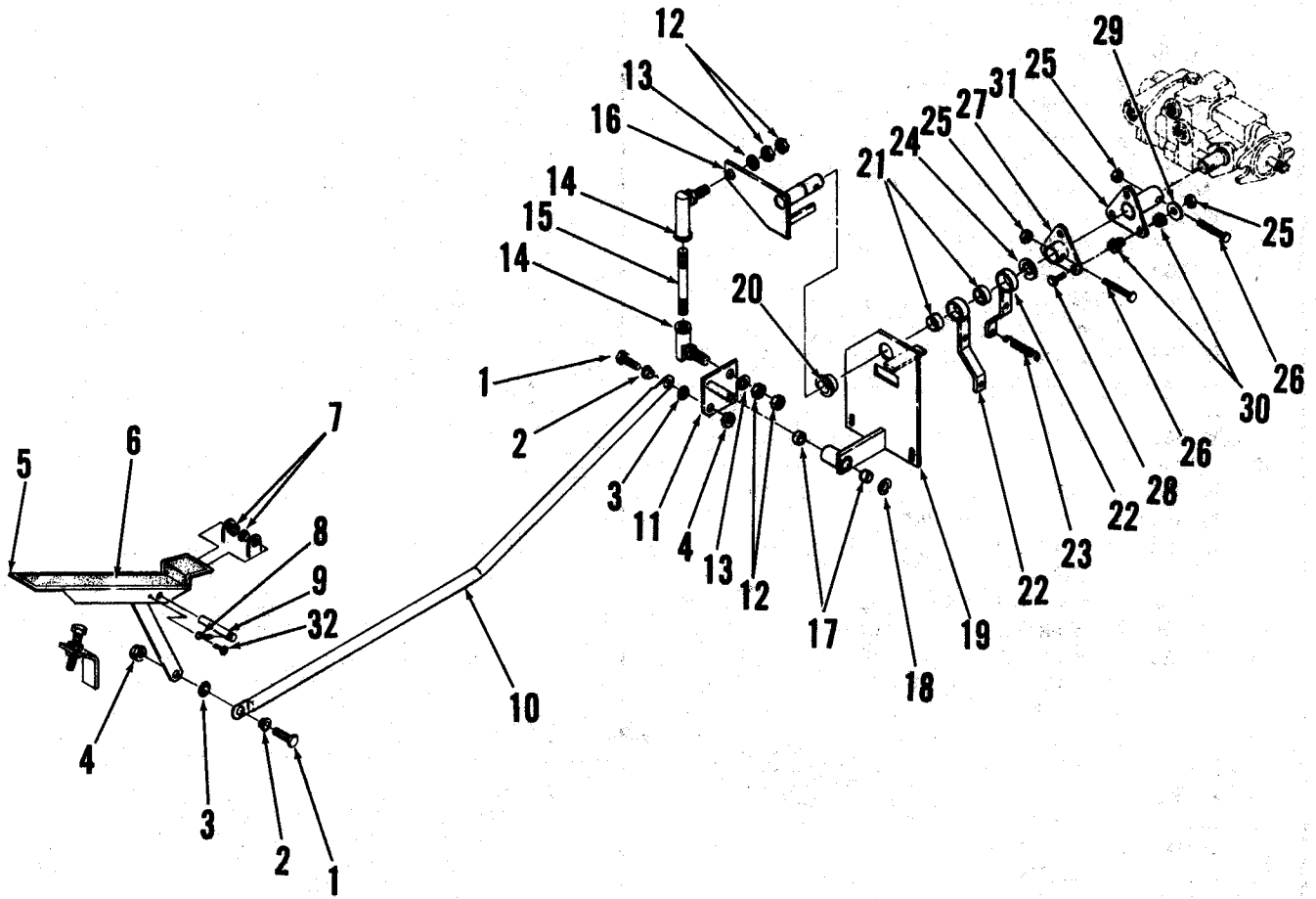


Item	Part No.	Qty	Description
1	56492797	2	Headlight
2	56493209	2	Clearance Light (optional)
3	56478271	2	15A Fuse
4	56448667	3	10A Fuse
5	56376348	2	Switch
6	56468175	2	Glow Plug Switch
7	56478640	1	Ignition Switch
8	56494902	1	Indicator Light
9	56478363	1	Hour Meter
10	56489598	1	Fuel Gauge
11	56493015	1	Fuel Light (optional)
12	56493032	2	Switch
13	56493137	1	Switch
14	56492802	2	Switch
15	56492961	2	Relay
16	56491820	1	Shaker Motor
17	56492430	1	Solenoid Valve
18	56489639	1	Rotating Light
19	56481575	1	Voltage Regulator
20	56493235	2	Tail Light
21	56481577	1	Starter
22	56481569	1	Coil
23	56492862	3	Relay
24	56492881	1	Temperature Switch
25	56495601	1	Oil Pressure Switch
26	56478358	1	Fuel Level Sender
27	56441555	1	Shaker Switch
28	56442054	1	Horn
29	56491870	1	Timer



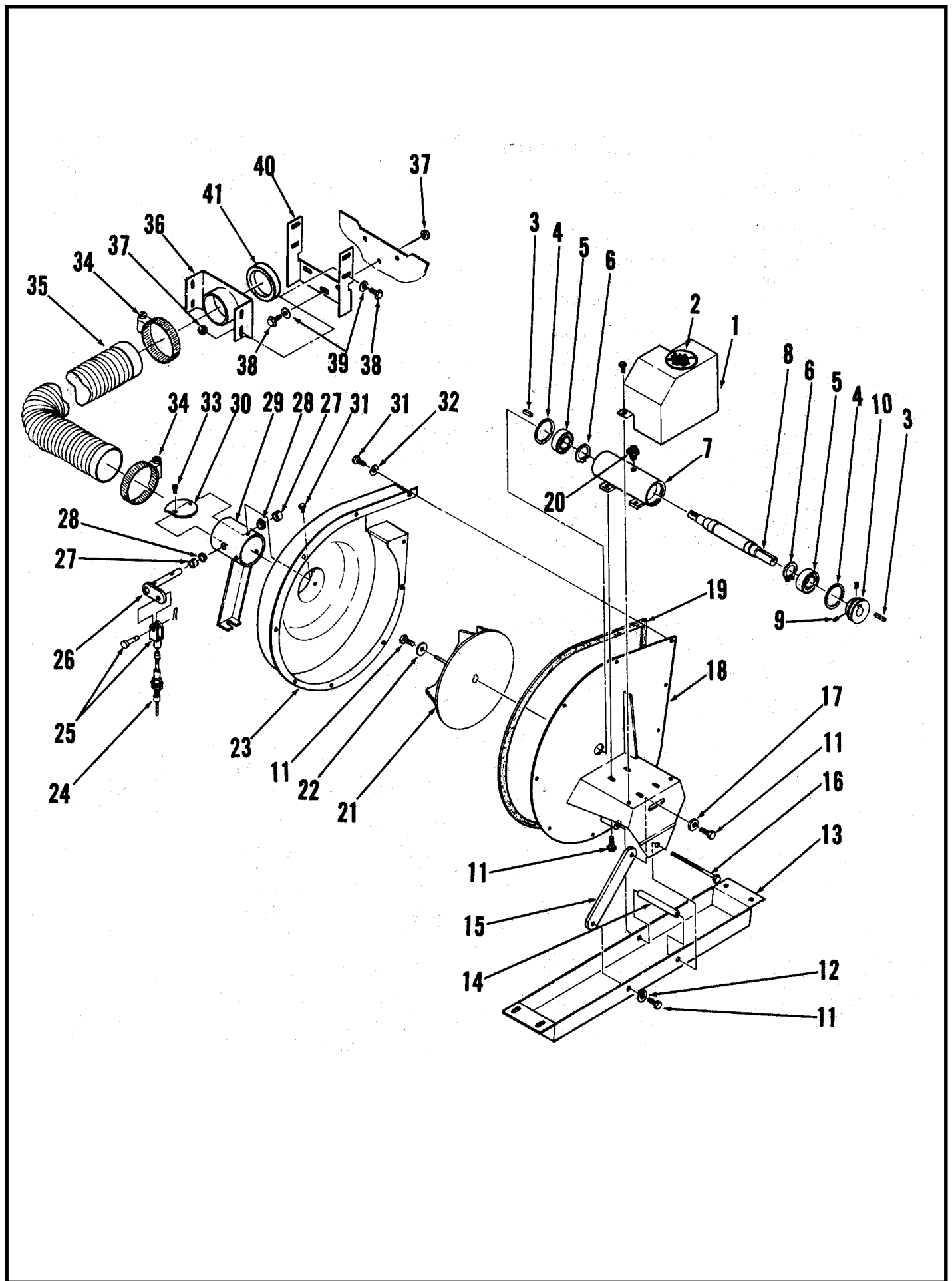
CONTROL PANEL ASSEMBLY

Item	Part No.	Qty	Description	Item	Part No.	Qty	Description
1	56492815	1	Threaded Rod	35	56492983	1	Washer
2	56002502	2	Roll Pin	36	56002221	1	Bolt
3	56491660	4	Bearing	37	56001861	1	Screw
4	56001827	12	Whiz Nut	38	56492846	2	Lever
5	56495013	1	Lever Bracket	39	56493008	2	Clevis Pin
6	56468834	2	Retaining Ring	40	56492543	2	Clevis Assembly
7	56468302	1	Pin	41	56001882	2	Cotter Pin
8	56493239	1	Rope Guide	42	56492845	1	Bracket
9	56491654	1	Bearing	43	56492542	1	Vacuum Cable
10	56159794	1	Bushing	44	56491658	4	Bearing
15	56492818	1	Cable	45	56471220	1	Bushing
16	56002093	2	Screw	46	56001967	1	Screw
17	56492539	1	Block Nut	47	56002098	1	Washer
18	56495025	1	Pivot	48	56150975	1	Nut
19	56001939	1	Washer	49	56261325	1	Switch Nut
20	56001974	1	Bolt	50	56492792	4	Knob
21	56492817	1	Lever	51	56002520	2	Screw
22	56492545	1	Nut	52	56492849	1	Switch Plate
23	56751300	1	Barb	53	56761452	1	Switch
24	56002063	2	Washer	54	56001904	2	Screw
25	56478461	1	Service Indicator	55	56492847	1	Strike Plate
26	56492839	1	Panel	56	56492848	1	Handle
27	56376348	1	Switch	57	56492836	1	Throttle Cable
28	56468175	1	Switch	58	56492835	1	Throttle Bracket
29	56026514	1	Control Decal	59	56492827	1	Rod
30	56492838	1	Choke Cable	60	56002448	2	Cotter Pin
31	56492802	2	Rocker Switch	61	56900080	1	Nut
32	56759062	1	Nut	62	56442368	1	Turnbuckle
33	56492850	2	Washer	63	56002123	1	Nut
34	56492832	1	Lever	64	56493246	1	Rod
				65	56496011	1	Shoulder Bolt
				66	56492821	1	Lever
				67	56398606	1	Spring



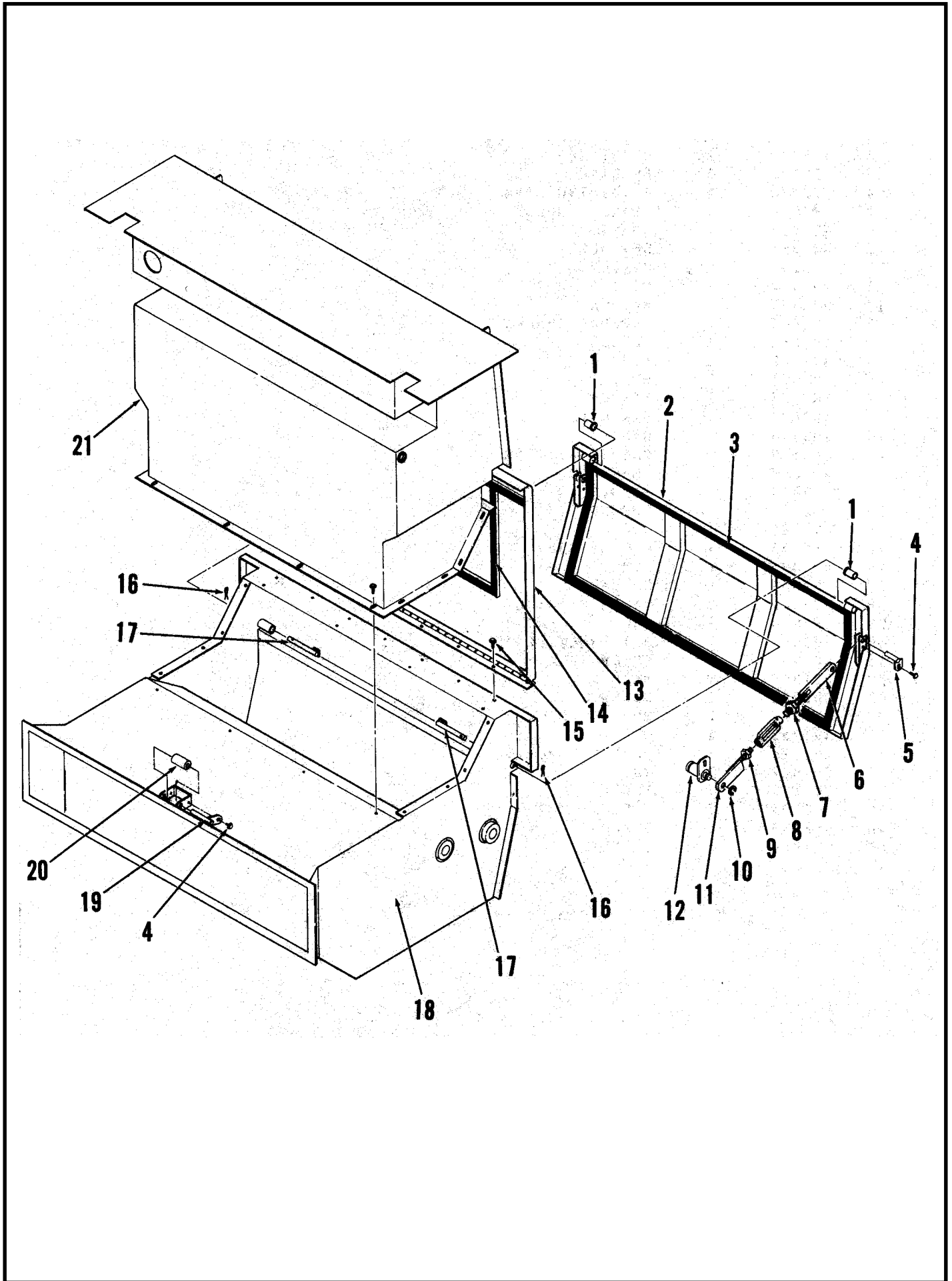
ACCELERATOR LINKAGE

Item	Part No.	Qty	Description
1	56002090	2	Bolt
2	56324505	2	Flange Bearing
3	56370762	2	Thrust Bearing
4	56453771	2	Nut
5	56492481	1	Pedal
6	56449958	1	Mat
7	56206849	2	Bearing
8	56900129	2	Cotter Pin
9	56448050	1	Pin
10	56492484	1	Linkage
11	56492485	1	Bell Crank
12	56001807	4	Nut
13	56001809	2	Lock Washer
14	56477813	2	Ball Joint
15	56495525	1	Rod
16	56492492	1	Bell Crank
17	56453832	2	Bearing
18	56468834	1	Retaining Ring
19	56492487	1	Centering Plate
20	56491648	1	Bearing
21	56491698	2	Bearing
22	56492490	2	Centering Arm
23	56365068	1	Spring
24	56249940	1	Retaining Ring
25	56150975	5	Nut
26	56001823	1	Screw
27	56492494	1	Plate
28	56002155	3	Screw
29	56454626	3	Washer
30	56492444	3	Isolator
31	56492499	1	Plate



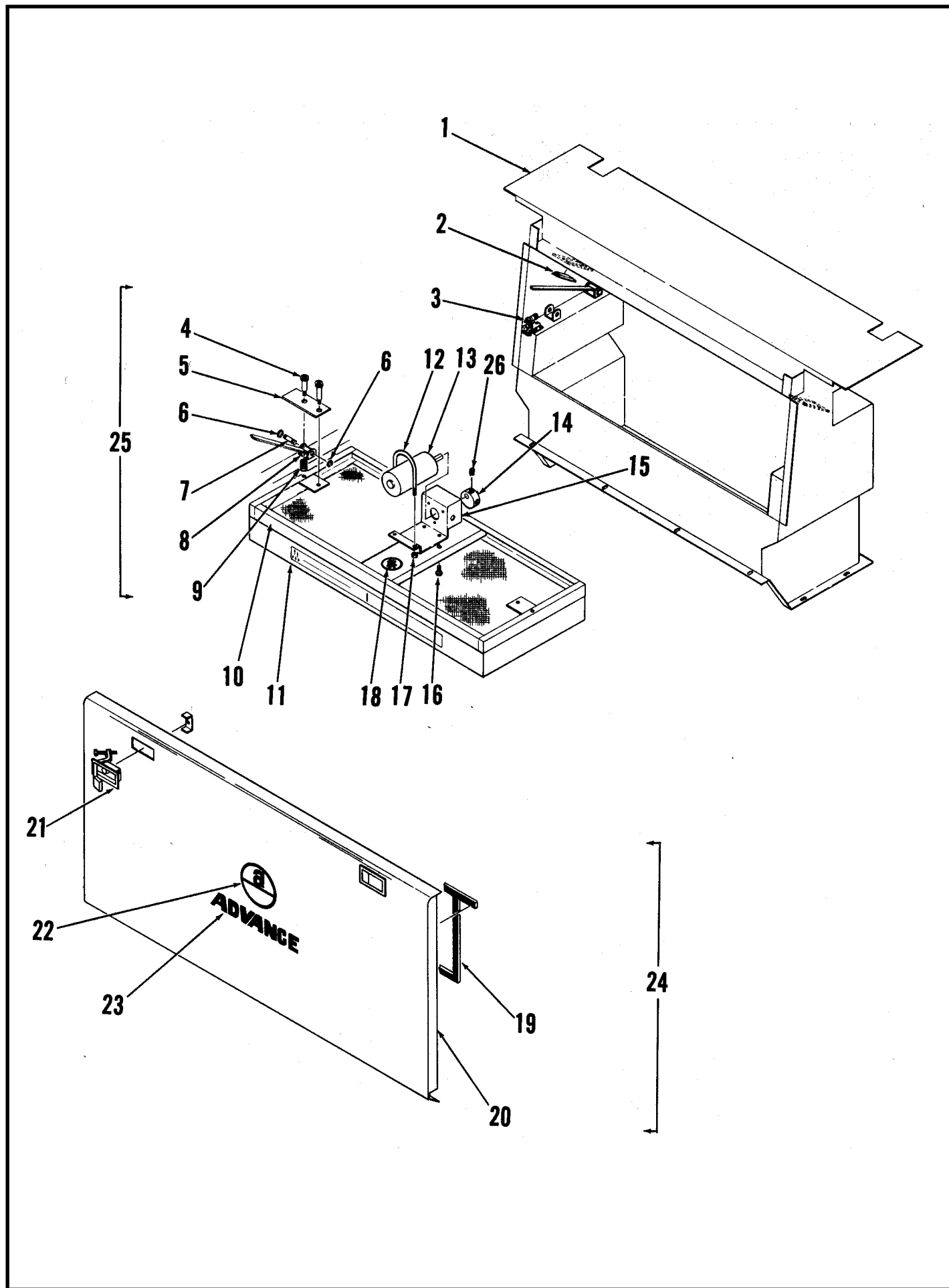
VACUUM FAN ASSEMBLY

Item	Part No.	Qty	Description
1	56493039	1	Guard
2	56030080	1	Hands Clear Decal
3	56158135	2	Square Key
4	56378380	2	Bearing
5	56378380	2	Bearing
6	56478778	2	Retaining Ring
7	56492884	1	Bearing House
8	56492889	1	Shaft
9	56001826	1	Set Screw
10	56482138	1	Pulley
11	56001974	7	Bolt
12	56001939	6	Washer
13	56492883	1	Support Bracket
14	56492882	1	Spacer
15	56492880	1	Bar
16	56002691	1	Bolt
17	56180200	1	Washer
18	56492879	1	Fan Bracket
19	56200754	3	Gasket
20	56468139	1	Grease Fitting
21	56478668	1	Impeller
22	56758959	1	Washer
23	56492891	1	Shroud
24	56492542	1	Cable
25	56492543	1	Clevis Assembly
26	56492895	1	Pin
27	56159832	2	Collar
28	56206849	2	Nylon Bearing
29	56492894	1	Tube
30	56492896	1	Butterfly Plate
31	56002519	12	Screw
32	56001954	9	Washer
33	56001904	2	Screw
34	56352829	2	Hose Clamp
35	56491752	1	Hose
36	56492426	1	Transfer Plate
37	56001827	7	Nut
38	56002155	7	Screw
39	56001905	7	Washer
40	56492383	1	Support
41	56387784	1	Gasket



HOPPER ASSEMBLY

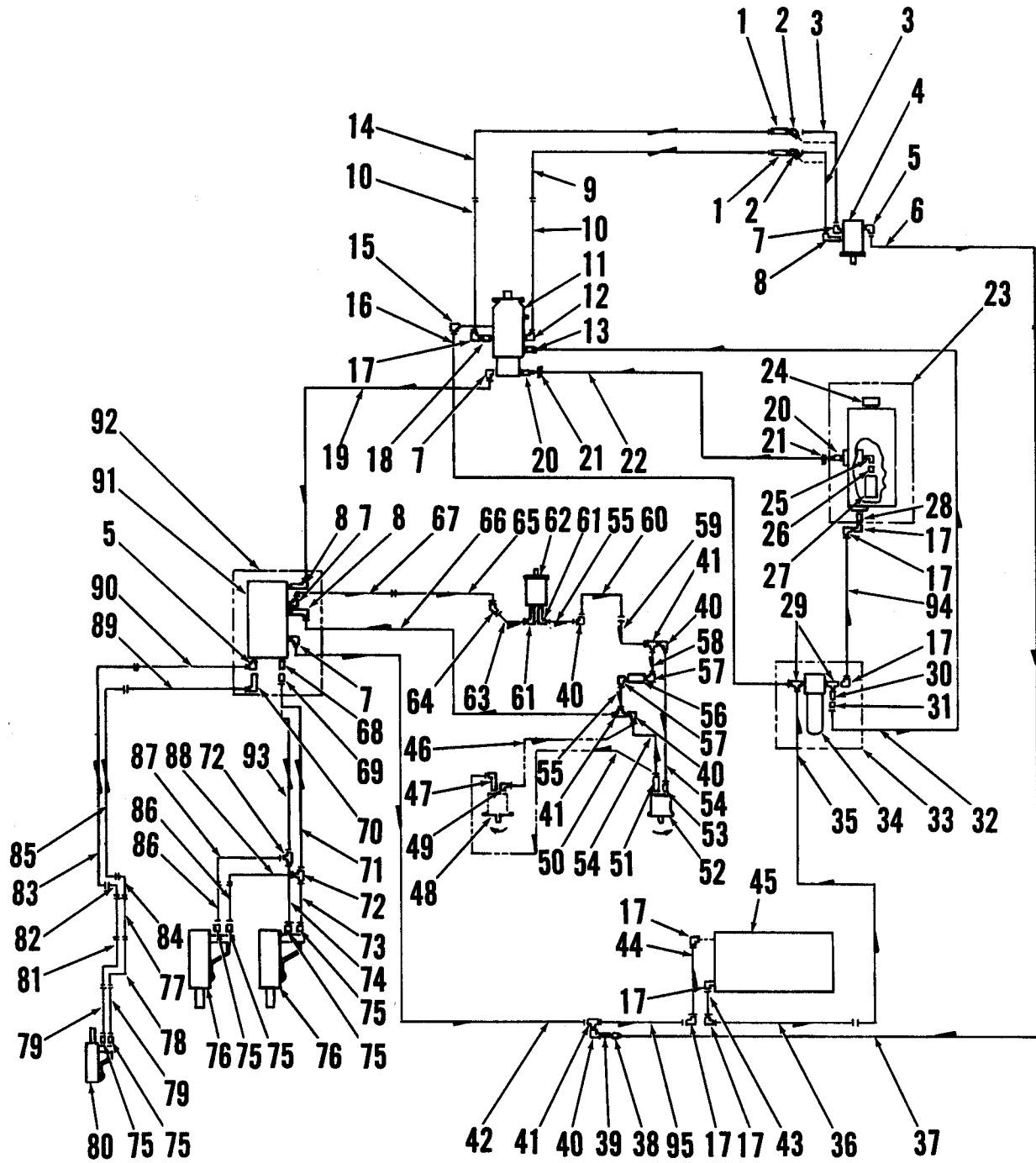
Item	Part No.	Qty	Description
1	56492471	2	Flange Bearing
2	56492415	1	Hopper Door
3	56490110	-	Gasket
4	56002519	3	Screw
5	56492414	2	Pin
6	56492417	2	Linkage
7	56900080	2	Nut
8	56492368	2	Turnbuckle
9	56002123	2	Nut
10	56492419	2	Retaining Ring
11	56492418	2	Linkage
12	56492421	2	Connection Pin
13	56492428	1	Door
14	56490112	-	Gasket
15	56002520	23	Screw
16	56002038	2	Cotter Pin
17	56492416	2	Hinge Pin
18	56492412	1	Hopper
19	56493083	1	Pin
20	56492470	1	Roller
21	56492427	1	Filter Box



FILTER BOX ASSEMBLY

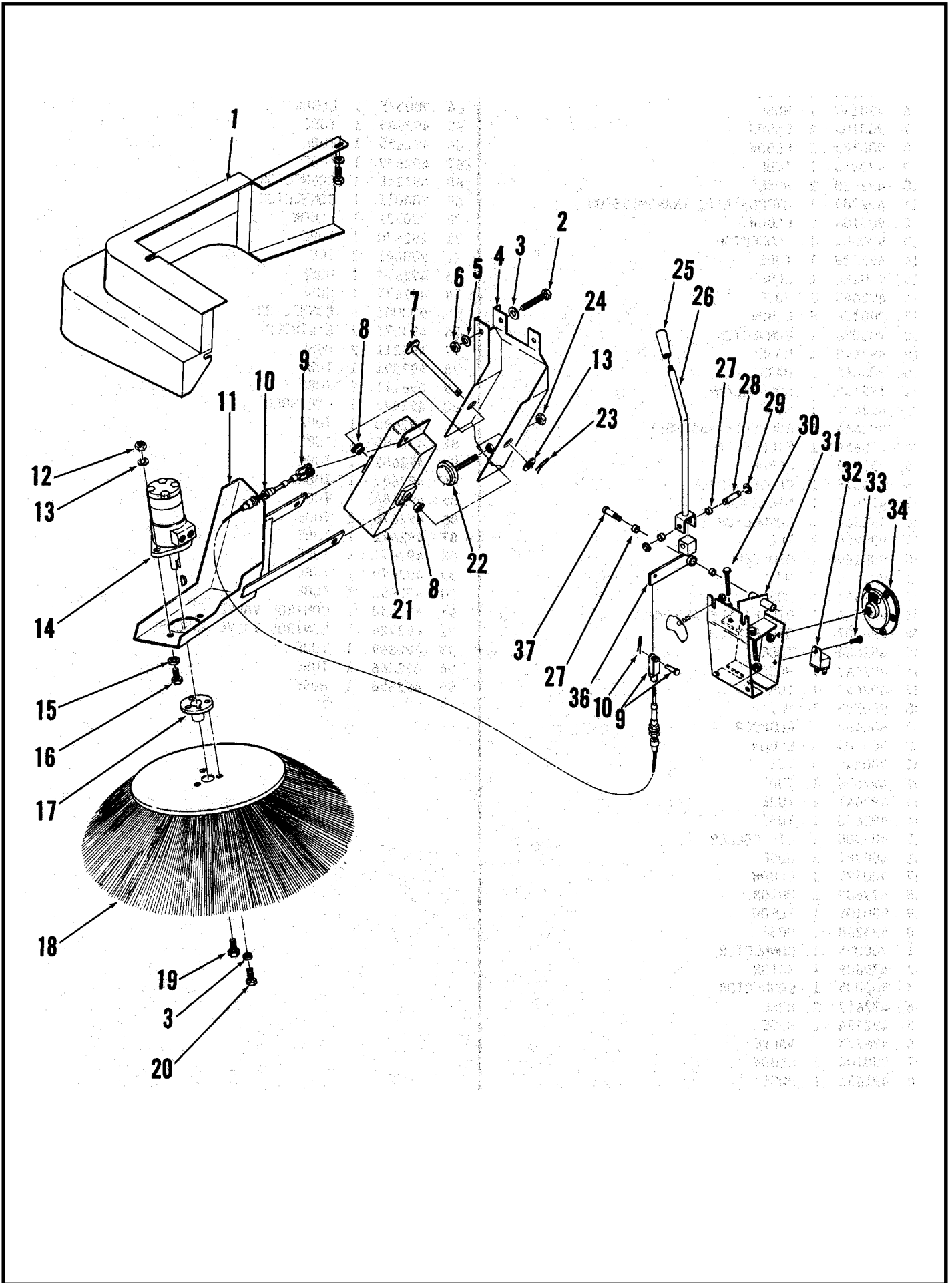
Item	Part No.	Qty	Description
1	56492427	1	Filter Box
2	56492475	2	Magnetic Catch
3	56491860	2	Hold-Down
4	56491872	4	Shoulder Bolt
5	56492402	2	Bracket
6	56321125	4	Retaining Ring
7	56491826	2	Pin
8	56491848	2	Lever
9	56171117	2	Spring
10	56494381	1	Hold-Down
11	56494479	1	Filter
12	56468329	1	U-Bolt
13	56491820	1	Motor
*	56491823	1	Carbon Brush Kit (for 56491820)
14	56491822	1	Eccentric
15	56468331	1	Motor Mount
16	56002537	4	Screw
17	56469021	2	Nut
18	56030080	1	Decal
19	56490112	1	Gasket
20	56492428	1	Door
21	56493272	2	Door Latch See TSB 760
22	56023308	1	Logo Decal
23	56016543	1	Advance Decal
24	56492527	1	Filter Box Door Assembly
25	56492525	1	Shaker Assembly
26	56001823	2	Set Screw

* = Not Shown



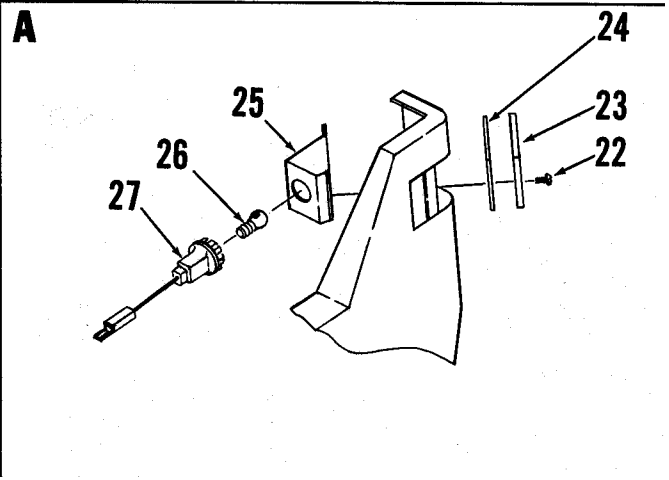
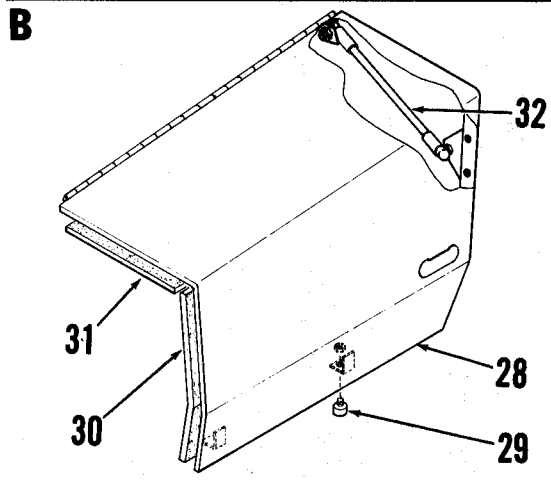
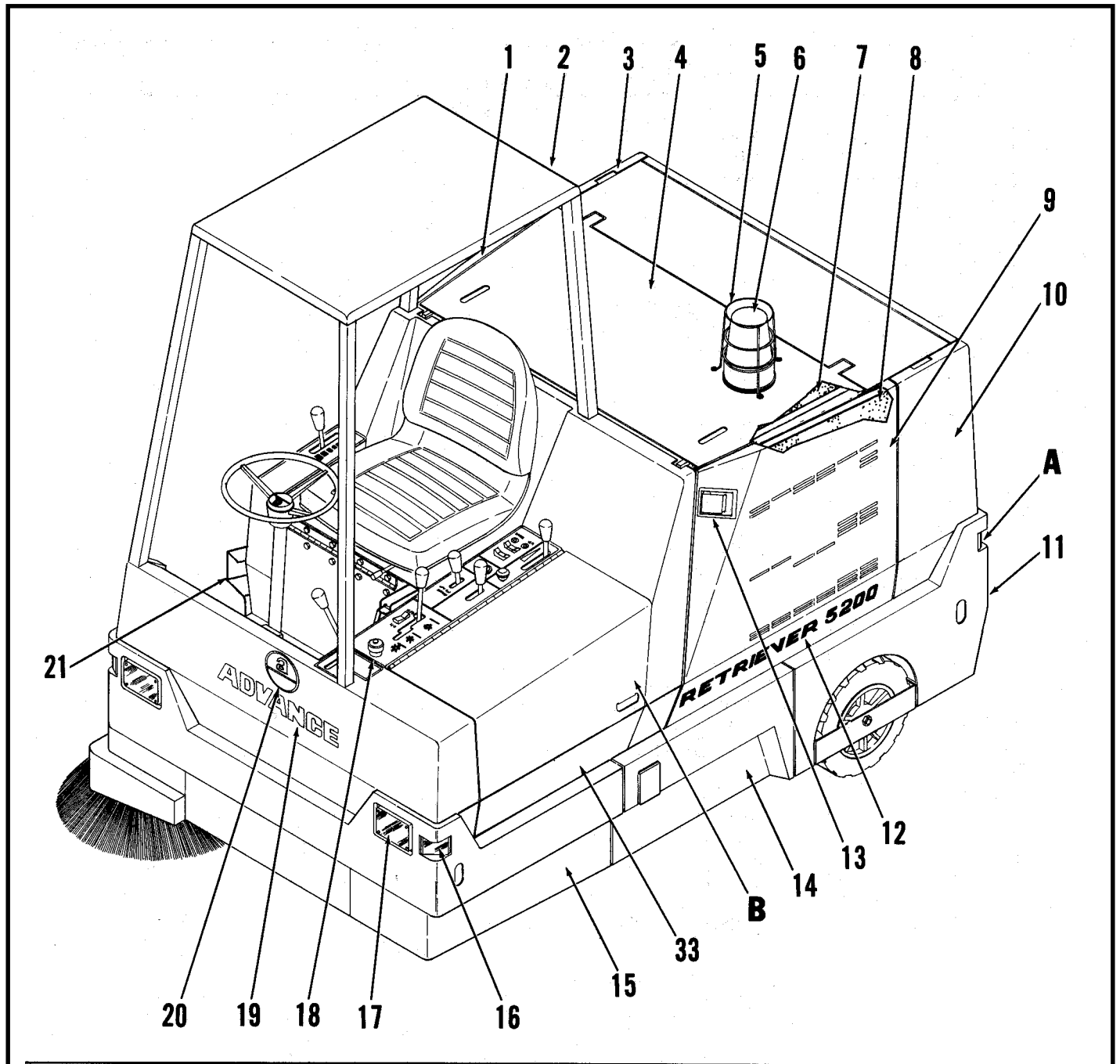
HYDRAULIC DIAGRAM

Item	Part No.	Qty	Description	Item	Part No.	Qty	Description
1	56900386	2	Union Bulkhead	51	56900055	1	Connector
2	56900326	2	Elbow	52	56479609	1	Motor
3	56492633	2	Hose	53	56900005	1	Connector
4	56492597	1	Drive Motor	54	56492652	2	Hose
5	56900101	2	Elbow	55	56492694	2	Hose
6	56490167	1	Hose	56	56496273	1	Valve
7	56900105	4	Elbow	57	56900104	2	Elbow
8	56900525	3	Elbow	58	56491651	1	Hose
9	56492638	1	Tube	59	56492649	1	Tube
10	56492628	2	Hose	60	56492648	1	Tube
11	56492789	1	Hydrostatic Transmission	61	56900524	2	Elbow
12	56900106	1	Elbow	62	56496205	1	Motor
13	56900004	1	Connector	63	56492646	1	Tube
14	56492629	1	Tube	64	56900325	1	Elbow
15	56900120	1	Elbow	65	56492645	1	Tube
16	56492640	1	Hose	66	56492655	1	Tube
17	56900306	8	Elbow	67	56492639	1	Tube
18	56900006	1	Connector	68	56493248	1	Connector
19	56492642	1	Hose	69	56900011	1	Connector
20	56900645	2	Barb	70	56900521	1	Elbow
21	56329145	2	Hose Clamp	71	56492670	1	Tube
22	56492627	1	Hose	72	56900441	2	Tee
23	56492614	1	Reservoir Assembly	73	56492673	1	Hose
24	56479656	1	Filler Cap	74	56492675	1	Hose
25	56451345	1	Elbow	75	56900001	6	Connector
26	56751078	1	Close Nipple	76	56493273	2	Cylinder
27	56479654	1	Strainer	77	56496211	2	Hose
28	56492667	1	Connector	78	56492691	1	Tube
29	56900206	2	Tee	79	56496211	2	Tube
30	56900469	1	Reducer	80	56492477	1	Cylinder
31	56900506	1	Nut	81	56492690	1	Tube
32	56492665	1	Hose	82	56492685	1	Tube
33	56492756	1	Oil Filter Assembly	83	56492682	1	Tube
34	56496207	1	Oil Filter	84	56492687	1	Tube
35	56492664	1	Tube	85	56492684	1	Tube
36	56492663	1	Hose	86	56492676	2	Tube
37	56492657	1	Tube	87	56492672	1	Tube
38	56900505	1	Nut	88	56492671	1	Tube
39	56900464	1	Reducer	89	56492679	1	Tube
40	56900305	4	Elbow	90	56492681	1	Tube
41	56900445	3	Tee	91	56492430	1	Control Valve
42	56492656	1	Tube	92	56492726	1	Control Valve Assembly
43	56492661	1	Tube	93	56492669	1	Tube
44	56492660	1	Tube	94	56492666	1	Tube
45	56487380	1	Oil Cooler	95	56492658	1	Hose
46	56488787	1	Hose				
47	56900525	1	Elbow				
48	56479609	1	Motor				
49	56900105	1	Elbow				
50	56493268	1	Hose				



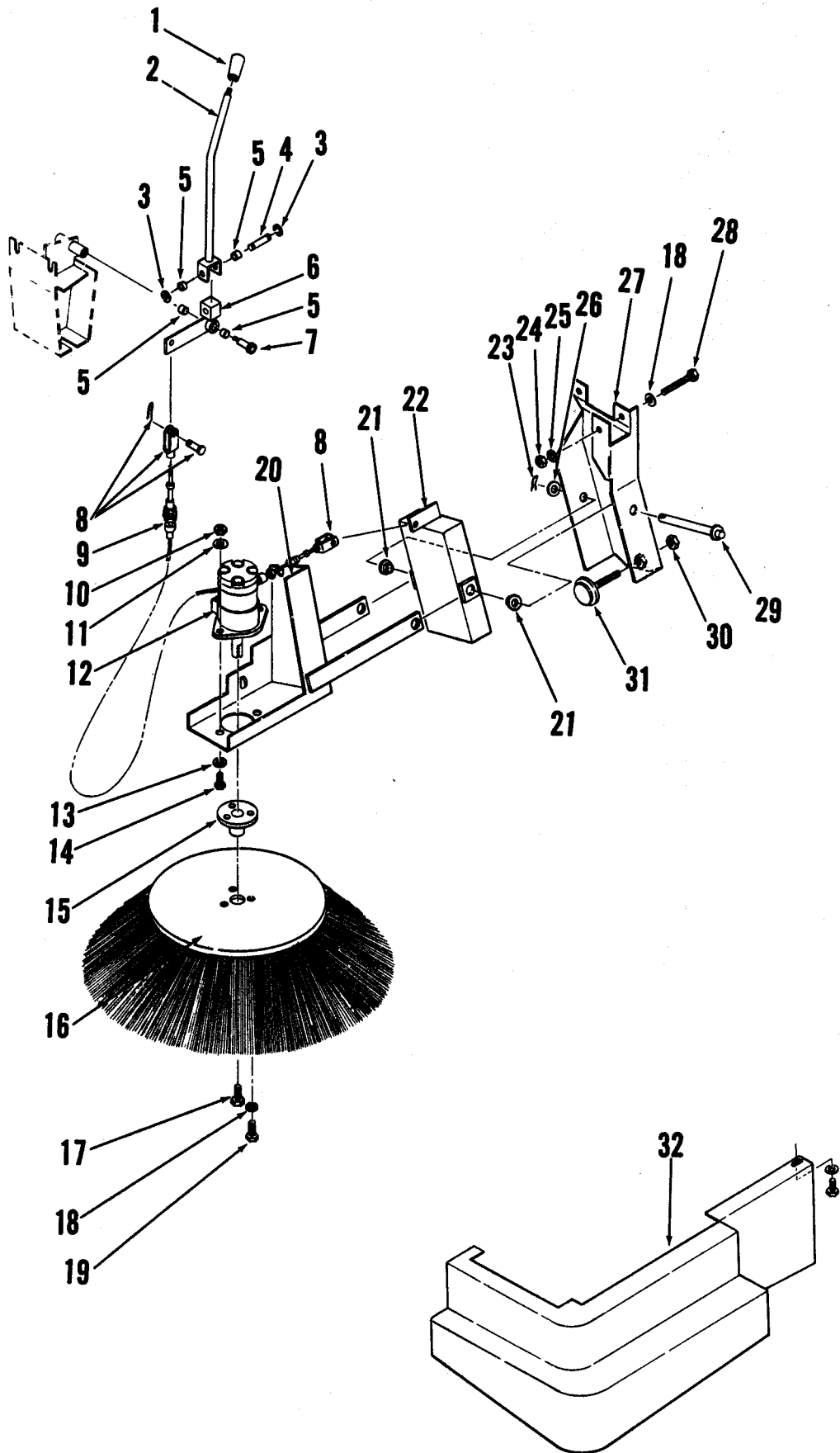
RIGHT SIDE BROOM ASSEMBLY

Item	Part No.	Qty	Description
1	56493115	1	Shroud
2	56002606	2	Bolt
3	56002220	5	Washer
4	56492548	1	Bracket
5	56001939	1	Washer
6	56002025	2	Nut
7	56492540	1	Pin
8	56492544	4	Flange Bearing
9	56492543	2	Clevis Assembly
10	56492542	1	Control Cable
11	56492561	1	Broom Arm
12	56001891	2	Nut
13	56001879	2	Washer
14	56479609	1	Motor
15	56002168	2	Washer
16	56001968	2	Screw
17	56479948	1	Hub
18	56477812	1	Broom
19	56002155	1	Screw
20	56002094	3	Bolt
21	56492552	1	Bracket
22	56493028	1	Bumper
23	56002529	1	Cotter Pin
24	56002123	1	Nut
25	56492569	1	Knob
26	56492557	1	Lever
27	56491658	4	Bearing
28	56492551	1	Pin
29	56321427	2	Retaining Ring
30	56002013	1	Bolt
31	56492731	1	Bracket
32	56491862	1	Relay
33	56002520	1	Screw
34	56442054	1	Horn
35	56492737	1	Cotter Pin
36	56492737	1	Lever
37	56468135	1	Shoulder Bolt



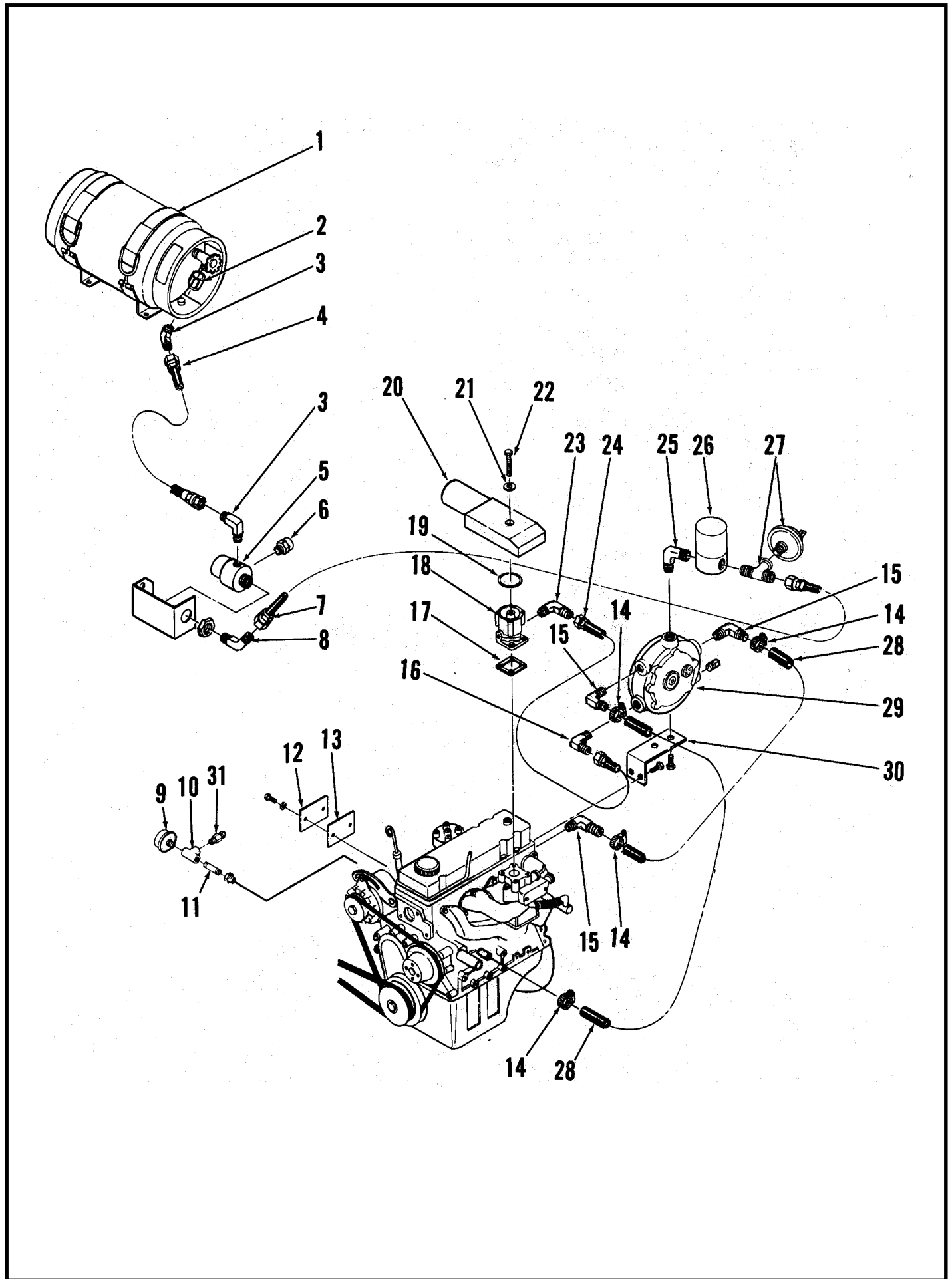
OUTER BODY

Item	Part No.	Qty	Description
1	56492919	1	Door
2	56496401	1	Overhead Guard (Optional)
3	56492904	1	Panel
4	56492912	1	Cover
5	56496061	1	Light Guard TSB 603
6	56489639	1	Warning Light TSB 603
7	56493177	1	Insulation
8	56493178	2	Insulation
9	56492918	1	Engine Door
10	56492903	1	Panel
11	56492432	1	Main Frame
12	56026545	1	Retriever Decal
13	56492948	2	Latch
14	56492952	1	Lower Door
15	56493115	1	Shroud
16	56492799	2	Amber Lens
17	56492797	2	Headlamp
18	56478461	1	Service Indicator
19	56016973	1	Advance Decal
20	56023308	1	Logo Decal
21	56492951	1	Lower Door
22	56002003	4	Screw
23	56492800	2	Lens
24	56493240	2	Gasket
25	56492480	2	Tail Light Mount
26	56481551	2	Light Bulb
27	56493235	2	Socket Assembly
28	56492901	1	Cover
29	56386312	2	Bumper
30	56493181	1	Insulation
31	56493180	1	Insulation
32	56385238	1	Cylinder
33	56025524	1	Stripe Decal



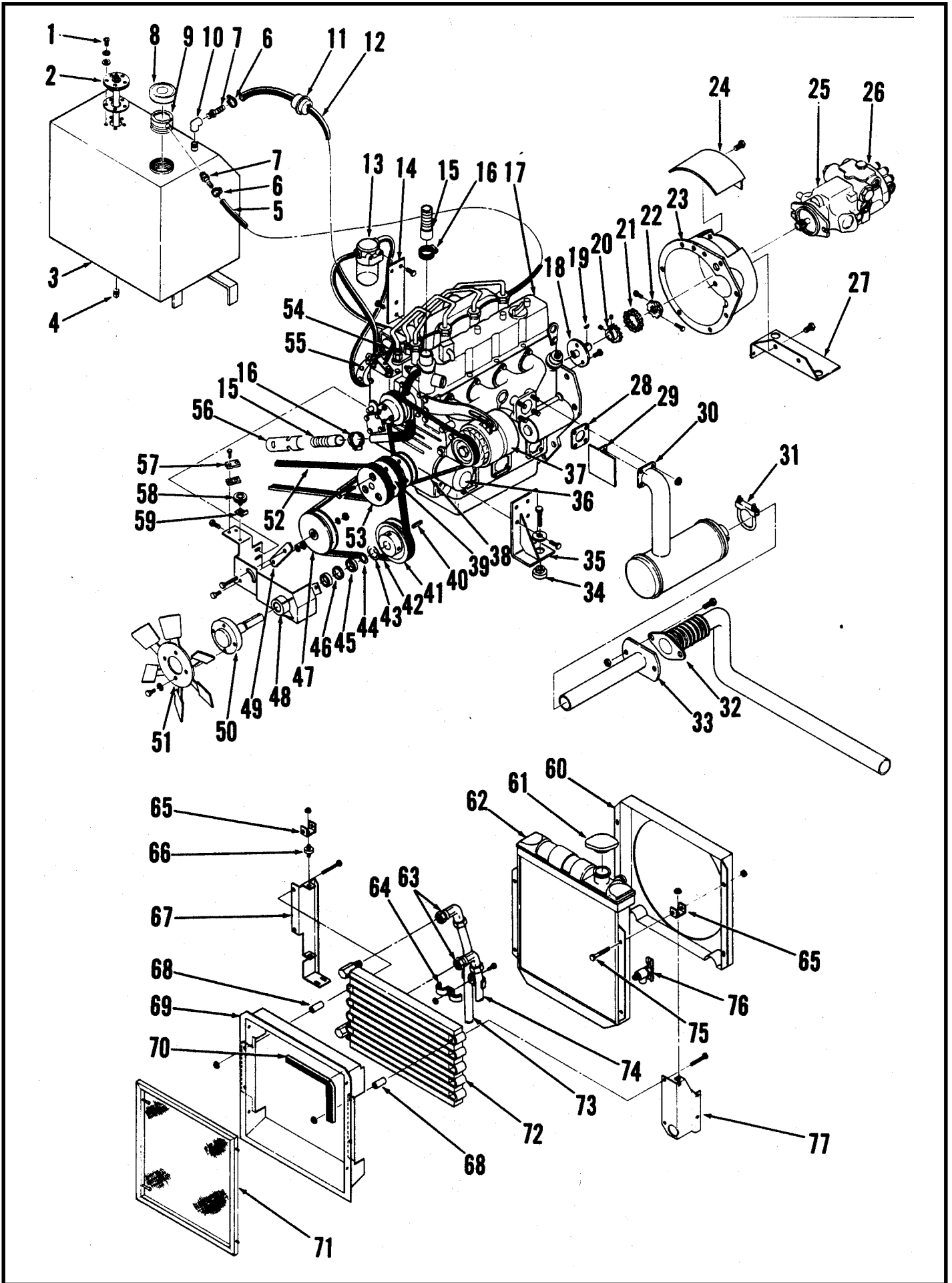
LEFT SIDE BROOM ASSEMBLY (OPTIONAL)

Item	Part No.	Qty	Description
1	56492569	1	Knob
2	56492556	1	Lever
3	56321427	2	Retaining Ring
4	56492551	1	Pin
5	56491658	4	Bearing
6	56492737	1	Lever
7	56468135	1	Shoulder Bolt
8	56492543	2	Clevis Assembly
9	56492542	1	Control Cable
10	56001891	2	Nut
11	56001879	2	Washer
12	56479609	1	Motor
13	56002068	2	Washer
14	56001968	2	Screw
15	56479948	1	Hub
16	56477812	1	Broom
17	56002155	1	Screw
18	56002220	5	Washer
19	56002094	3	Screw
20	56492564	1	Broom Arm
21	56492544	4	Flange Bearing
22	56492552	1	Bracket
23	56002529	1	Cotter Pin
24	56002025	2	Nut
25	56001939	3	Washer
26	56001879	3	Washer
27	56492566	1	Bracket
28	56002606	2	Screw
29	56492540	1	Pin
30	56002123	1	Bolt
31	56493028	1	Bumper
32	56493117	1	Shroud



LP SYSTEM

Item	Part No.	Qty	Description
1	56481912	1	Bracket Set
2	56369675	1	Coupler
3	56456598	1	Elbow
4	56468347	1	Hose Assembly
5	56456622	1	Fuel Filter
6	56456624	1	Vent
7	56493271	1	Hose Assembly
8	56456608	1	Elbow
9	56493146	1	Pressure Switch
10	56752020	1	Tee
11	56750746	1	Nipple
12	56456635	1	Fuel Pump Cover
13	56456636	1	Gasket
14	56219932	4	Hose Clamp
15	56753691	3	Barb
16	56456602	1	Elbow
17	56478493	1	Gasket
18	56493035	1	Carburetor
19	56493037	1	Gasket
20	56493217	1	Air Horn
21	56209596	1	Washer
22	56001967	1	Screw
23	56456604	1	Elbow
24	56456583	1	Hose Assembly
25	56369632	1	Elbow
26	56456626	1	Fuel Lock-Off
27	56493015	1	Fuel Indicator Light Kit
28	56456594	2	Hose
29	56456628	1	Regulator
30	56482168	1	Bracket
31	56481888	1	Engine Temperature Sender



DIESEL ENGINE

Item	Part No.	Qty	Description	Item	Part No.	Qty	Description
1	56002312	5	Screw	36	56492110	1	Oil Filter
2	56478358	1	Fuel Levelsender	37	56492115	1	Alternator
3	56492806	1	Fuel Tank	38	56492124	1	V-Belt
4	56481546	1	Pipe Plug	39	56493300	1	Pulley
5	56481684	1	Hose	40	56740168	1	Key
6	56131601	5	Hose Clamp	41	56493306	1	Sheave
7	56477523	2	Barb	42	56343946	1	V-Belt
8	56478502	1	Cap	43	56366544	1	Retaining Ring
9	56492748	1	Filler Neck	44	56217999	1	Retaining Ring
10	56111295	1	Elbow	45	56372773	2	Bearing
11	56480679	1	Fuel Filter Kit	46	56493304	1	Spacer
12	56492259	1	Hose	47	56493327	1	Idler Pulley
13	56492113	1	Fuel Filter	48	56493314	1	Fan Support Bracket
14	56482323	1	Filter Bracket	49	56493326	1	Idlerarm
15	56456304	2	Radiator Hose	50	56493302	1	Fan Shaft
16	56440213	2	Hose Clamp	51	56456551	1	Fan
17	56492622	1	Engine	52	56494501	1	V-Belt
18	56492194	1	Adapter	53	56492953	1	Sheave
19	56378291	1	Key	54	56358560	1	Spring
20	56480817	1	Sprocket	55	56492112	1	Fuel Pump
21	56480820	1	Coupler Chain	56	56493349	1	Hose Guard
22	56480826	1	Sprocket	57	56469300	2	Cable Clamp
23	56493044	1	Bell Housing	58	56159749	1	Cable Pulley
24	56492944	1	Cover	59	56390778	1	Cable Guide
25	56492954	1	Piston Pump (Hydro-Trans 56492789)	60	56493329	1	Shroud
26	56492790	1	Gear Pump (Hydro-Trans 56492789)	61	56456431	1	Cap
27	56493293	1	Rearengnemount	62	56478689	1	Radiator
28	56492616	1	Gasket	63	56900306	4	Swivel
29	56492266	1	Shield	64	56492755	1	Clamp
30	56492275	1	Muffler	65	56492150	4	U-Bracket
31	56343236	1	Muffler Clamp	66	56478684	4	Rubber Mount
32	56492787	1	Exhaust Pipe	67	56493331	1	Left Radiator Support
33	56493348	1	Muffler Adaptor	68	56488487	4	Spacer
34	56478685	4	Rubber Mount	69	56493337	1	Front Shroud
35	56493296	1	Right Motor Mount	70	56492505	1	Gasket
	56493299	1	Left Motor Mount	71	56493343	1	Screen
				72	56487380	1	Oil Cooler
				73	56492660	1	Cooler Tube
				74	56492661	1	Cooler Tube
				75	56001874	4	Screw
				76	56386420	1	Drain Valve
				77	56493330	1	Right Radiator Support



Nilfisk-Advance, Inc.
14600 21st Avenue North
Plymouth, MN, 55447-3408
www.nilfisk-advance.com
Phone: 800-989-2235
Fax: 800-989-6566
©2000 Nilfisk-Advance, Inc.,
Plymouth, MN 55447-3408
Printed in the U.S.A.