



Electronic Service Manuals

This electronic document is provided as a service to our customers. We do not create the contents of the information contained in this document. Should you have detailed questions pertaining to the information contained in this document, you may contact Michco, or the manufacturer which provided the original information in this electronic deliverable. Michco's only part in this electronic deliverable was the electronic assembly process.

You may contact Michco through the following methods:
Phone (517) 484-9312 or (800) 331-3339 MI, OH, IN only
2011 N. High St. -- Lansing, Michigan -- 48906
Fax: (517) 484-9836
Email: CustServ@Michco.com
Web site: www.Michco.Com
Parts Web site: www.FloorMachineParts.Com

Order Parts on Line at:
www.FloorMachineParts.Com

Directly to Parts & Service:
By Email: **Shop@Michco.com**
By Fax: (517) 702-2041
By Voice: Use numbers above.

Serving the Cleaning Industry Since 1922

Notice: All copyrighted material remains property of original owners, all trademarks are property of respective owners. Manuals are subject to Manufacturer's reproduction limitations. Originals or reproductions were provided by manufacturers through a request. We make no warranty as to the correctness of information provided in this document and you assume all risk.

Retriever™



PARTS LIST **Advance MODEL 5200G(OBSOLETE)**



Nilfisk
Advance
setting standards

5/85 revised 2/01 FORM NO. 56042131

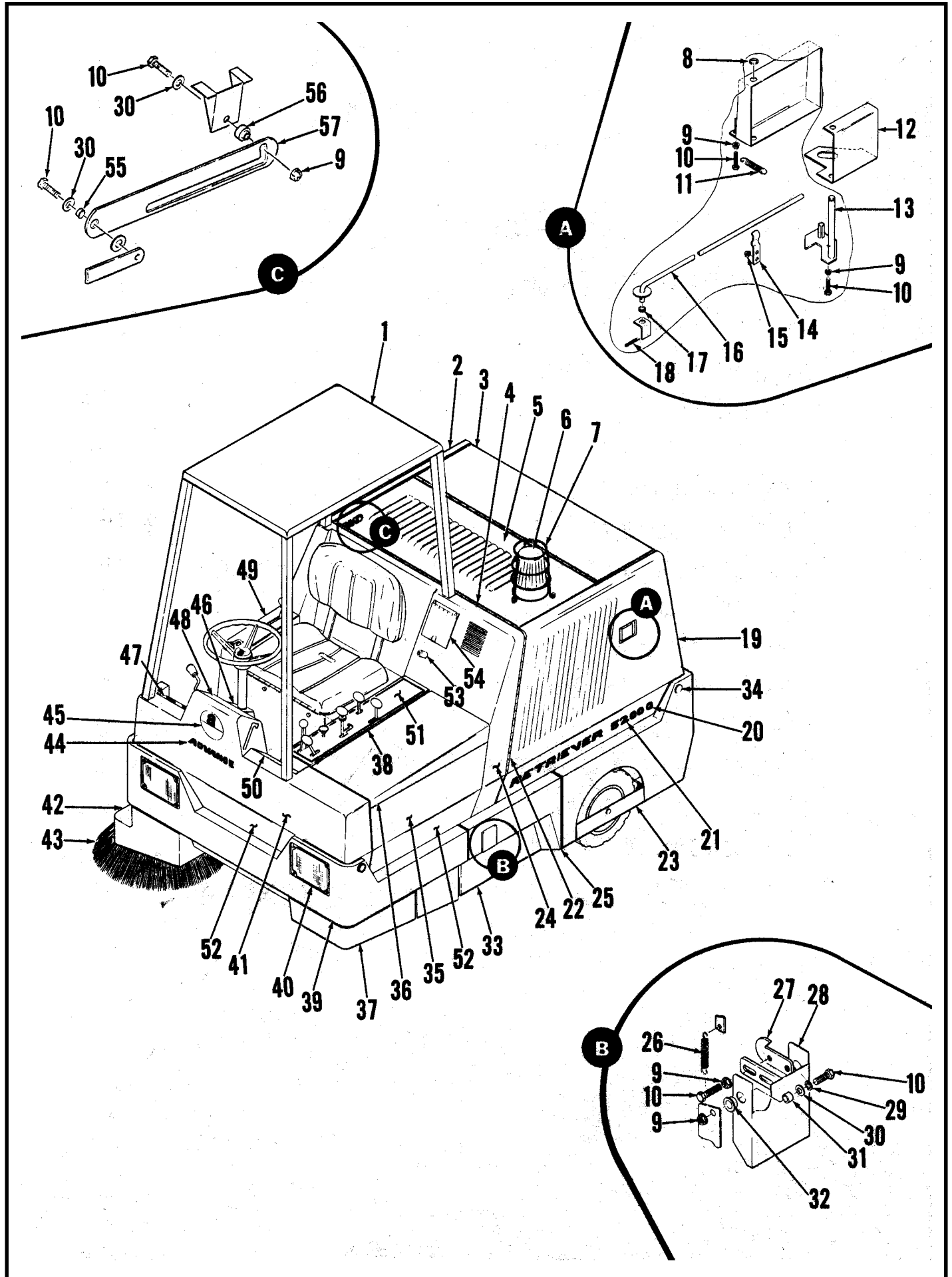
TABLE OF CONTENTS

<u>DESCRIPTION</u>	<u>PAGE</u>
OUTER BODY	1-2
HYDRAULIC PUMP, ENGINE & FUEL TANK	3-4
HYDRAULIC OIL FILTER, TANK & FUSE BOX	5-6
DRIVE PEDAL LINKAGE	7-8
SEAT	9-10
HOPPER & HOPPER ARMS	11-12
DUST CONTROL FILTER HOUSING	13-14
WHEEL, FRONT DRIVE & STEERING	15-16
CONTROL LEVERS	17-18
BROOM DRIVE	19-20
BROOM, SIDE	21-22
DUST CONTROL IMPELLER	23-24
WHEELS, REAR & BRAKES	25-26
HYDRAULIC DIAGRAM	27-28
WIRING DIAGRAM	29-30
ENGINE, DIESEL	31-32

WHEN ORDERING PARTS

- * Use the 8 digit numbers from the "Part No." columns in this parts list.
- * Specify the model and serial number of the machine.
- * Use the space below to record the model and serial number for future reference.

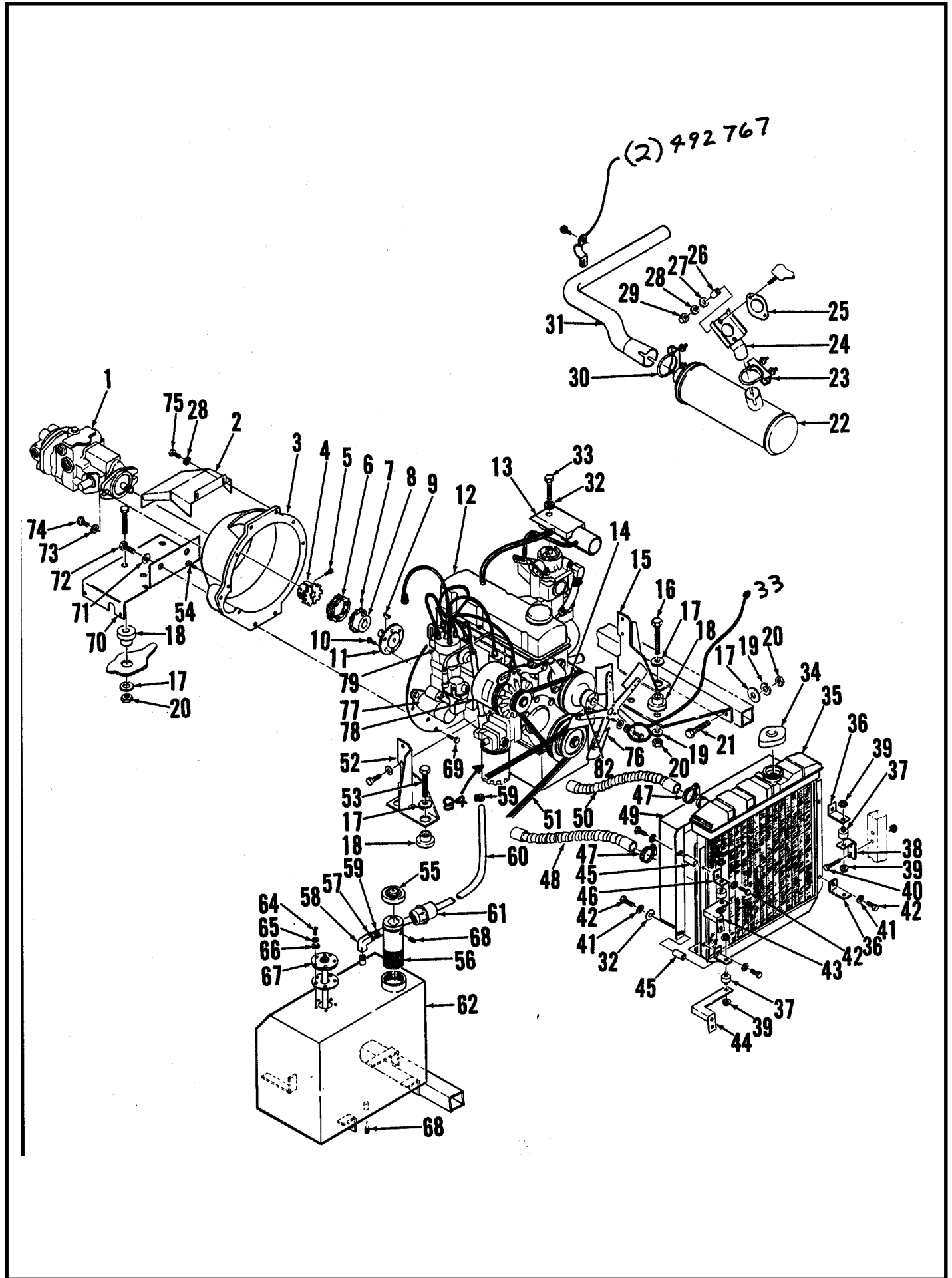
Model _____ Serial No. _____



OUTER BODY ASSEMBLY

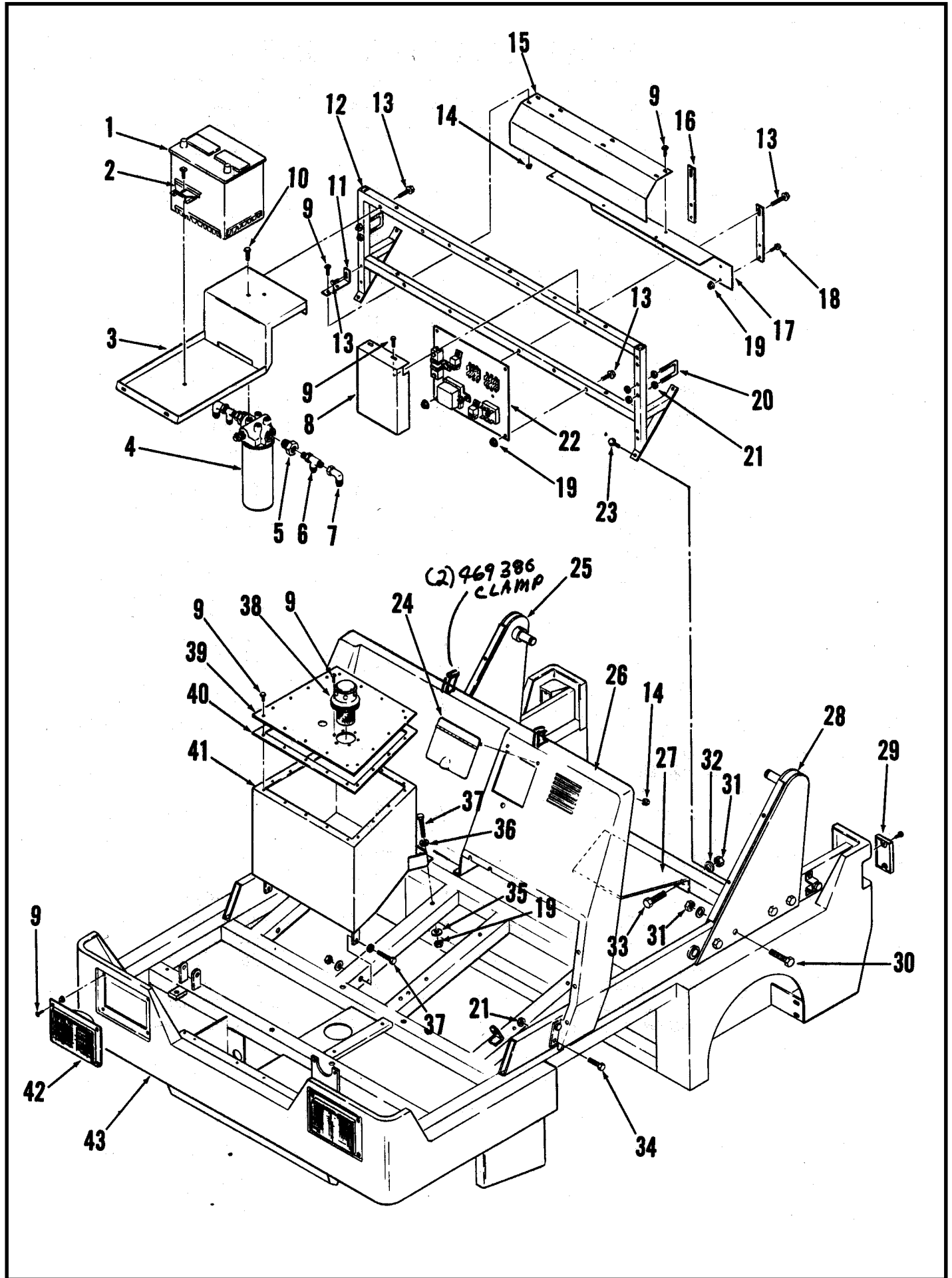
Item	Part No.	Qty	Description	Item	Part No.	Qty	Description
1	56496401	1	Overhead Guard (Optional)	33	56496012	1	Door, Left
2	56495928	1	Door, Right	*	56495997	1	Door, Right
3	56494421	1	Filter Box Cover	34	56744814	4	Button Plug
4	56496073	1	Hinge	35	56496079	1	Panel
5	56496067	1	Hinge	36	56496051	1	Cover
6	56489639	1	Warning Light TSB 603	37	56495836	1	Panel
7	56496061	1	Light Guard TSB 603	38	56496057	1	Hinge
8	56321125	2	Retaining Ring	39	56492101	1	Chassis
9		10	Flanged Nut 1/4-20	40	56481543	2	Head Light Assembly
10		14	Screw 1/4-20 x 1	41	56495781	1	Front Panel
11	56321087	2	Spring	42	56495821	1	Right Side Broom Panel
12	56495943	1	Latch Handle, Left	43	56477812	1	Side Broom
*	56490985	1	Latch Handle, Right	44	56014532	1	Decal, Advance
13	56491143	1	Pawl, Left	45	56023308	1	Decal, Logo
*	56491140	1	Pawl, Right	46	56495808	1	Steering Column
14	56454940	2	Clamp	47	56026521	1	Decal, Control
15		4	Flanged Nut 10-24	48	56026515	1	Decal, Control
16	56496097	2	Prop Rod	49	56026512	1	Decal, Control
17	56321958	2	Grommet	50	56026518	1	Decal, Control
18		2	Cotter Pin, 1/8 x 1 1/2	51	56026509	1	Decal, Control
19	56495901	1	Door, Left	52	56025524	1	Decal, Stripe
20	56025194	2	Decal, "G"	53	56478461	1	Service Indicator
21	56026545	2	Decal, "Retriever 5200"	54	56496106	1	Cover
22	56495949	2	Hinge	55	56206784	1	Bushing
23	56493350	2	Gusset	56	56384708	1	Step Bushing
24	56495757	1	Center Panel	57	56449262	1	Latch
25	56496021	2	Hinge	*	56026524	1	Decal, Wiring
26	56344354	2	Spring	*	56026527	1	Decal, Hydraulic
27	56496039	2	Tab				
28	56496027	2	Handle				
29		4	Shakeproof. Washer 1/4				
30		7	Flat Washer 1/4				
31	56151106	2	Bushing				
32	56491646	2	Flanged Bearing				

* = Not Shown



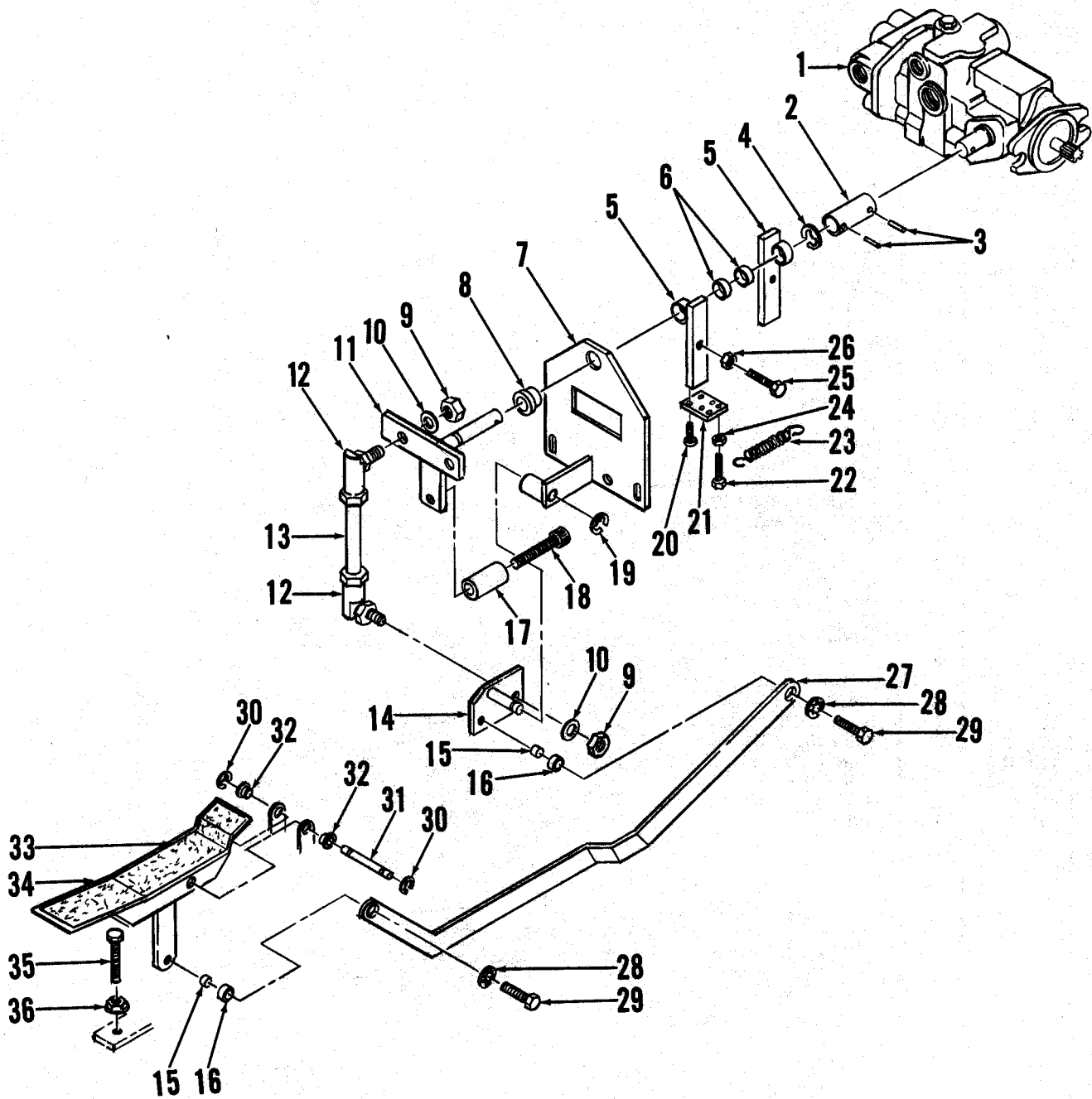
ENGINE ASSEMBLY - GAS

Item	Part No.	Qty	Description	Item	Part No.	Qty	Description
1	56496241	1	Hydrostatic Transmission	46	56492764	1	Angle
2	56481689	1	Cover	47	56329145	4	Clamp, Hose
3	56481687	1	Bell Housing	48	56492611	1	Hose, Radiator
4	56480826	1	Sprocket	49	56492801	1	Shroud, Fan
5		2	Screw Socket 1/4-20 x 7/8	50	56492609	1	Hose, Radiator
6	56480820	1	Chain, Coupler	51	56494501	1	V-Belt
7		2	Screw Set 1/4-20 x 1/4	52	56492644	1	Mount, Engine
8	56480817	1	Sprocket	53		2	Bolt 1/2-13 x 4"
9	56378291	1	Key	54	56492619	4	Bolt M8 x 65.00
10		6	Screw 3/8-24 x 1 1/4	55	56478502	1	Cap, Gas
11	56480790	1	Adapter, Shaft	56	56492748	1	Filler Neck
12	56492620	1	Engine	57	56477523	1	Barb
13	56492819	1	Elbow, Air Intake	58	56111295	1	Elbow
14	56481763	1	V-Belt (alternator)	59	56219932	2	Clamp, Hose
15	56492641	1	Mount, Engine	60	56492773	1	Hose, Fuel Line
16		6	Bolt 1/2-13 x 2 1/4	62	56480679	1	Fuel Filter
17		8	Flasher, Flat 1/2	63	56492721	1	Fuel Tank
18	56478685	4	Mount, Engine	64		5	Screw #10-32 x 7/16
19		12	Washer Lock 1/2	65		5	Lock Washer #10
20		12	Nut Hex 1/2-13	66		5	#10 Flat Washer
21		4	Bolt 1/2-13 x 3"	67	56478358	1	Fuel Level Sender
22	56492603	1	Muffler	68	56481546	2	Plug
23	56492605	1	Clamp, Muffler	69		2	Screw 3/8-16 x 1 1/4
24	56492853	1	Adapter, Pipe	70	56492668	1	Bracket
25	56492615	1	Gasket, Exhaust	71		2	Shakeproof Washer 1/2 72
26	56228052	2	Bushing	73	56487252	2	Washer
27		2	Washer Flat 5/16	74		2	Bolt, 1/2-13 x 1 1/2
28		4	Washer Lock 5/16	75	56481693	2	Bolt
29	56755930	2	Nut Hex	76	56456551	1	Fan TSB 439
30	56492605	1	Clamp, Muffler	77	56492925	1	Starter
31	56492868	1	Adapter, Exhaust Pipe	78	56492924	1	Alternator
32		5	Washer Flat 1/4	79	56492930	1	Distributor
33	56492624	1	Screw M6	80	56492931	1	Oil Drain Fitting (not shown)
34	56478693	1	Cap, Radiator	81	56481569	1	Ignition Coil (not shown)
35	56492607	1	Radiator	82	56481583	1	Fan Spacer, 1/2 TSB 439
36	56492761	3	Angle		56481585	1	Fan Spacer, 1"
37	56478684	4	Mount, Rubber		56481587	1	Fan Spacer Gasket
38	56492707	2	Angle	83	56492929	1	Voltage Regulator
39		16	Whiz Nut 1/4-20	84	56492258	1	Engine Oil Filter
40		4	Screw 1/4-20 x 1 3/4				
41		8	Washer Shakeproof 1/4				
42		8	Screw 1/4-20 x 5/8				
43	56492698	1	Bracket, Mounting				
44	56492701	1	Bracket, Mounting				
45	56161703	4	Bushing				



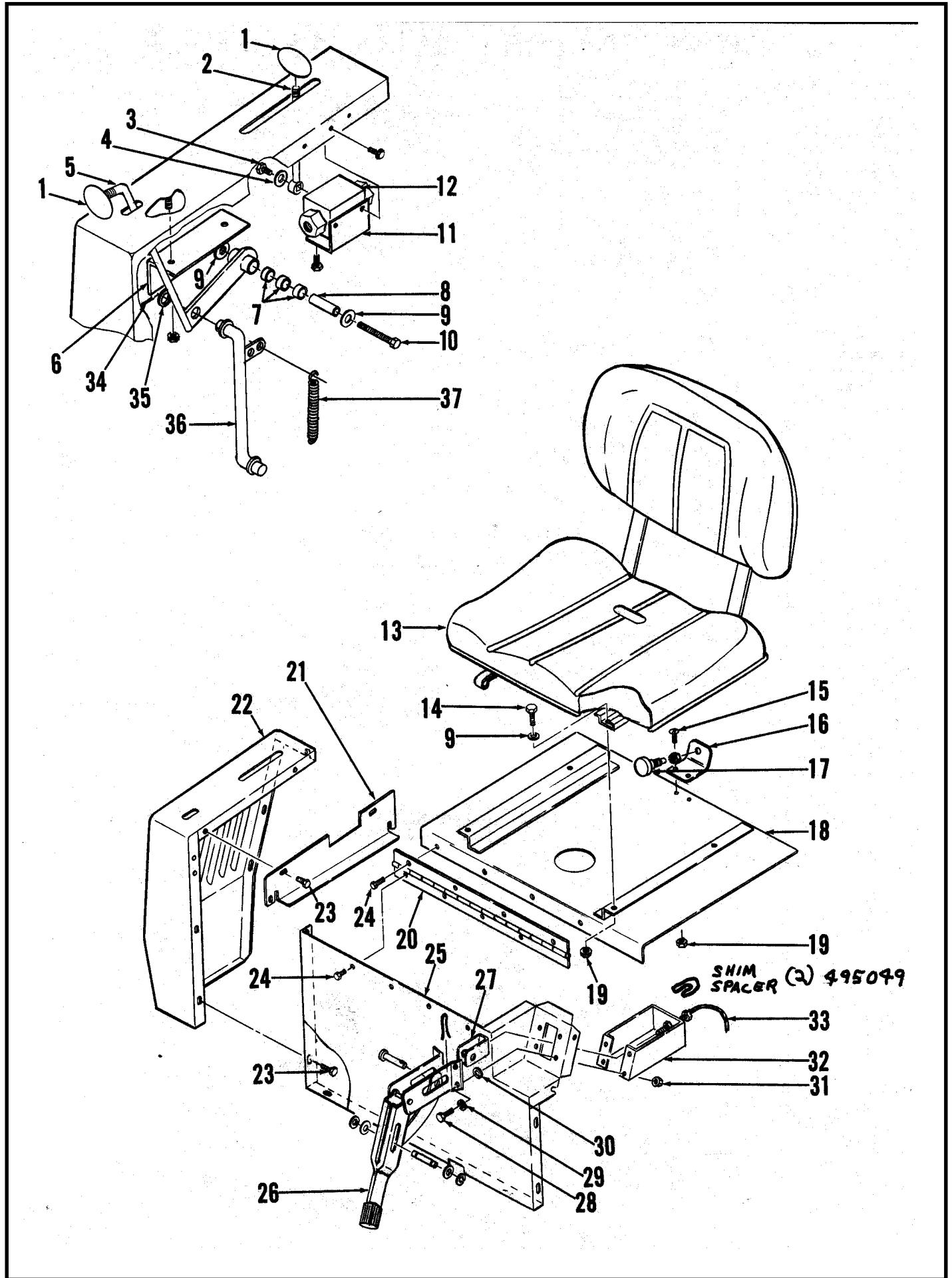
MAIN FRAME & RELATED PARTS

Item	Part No.	Qty	Description
1	56441511	1	Battery, 12V
2	56469193	1	Battery Clamp
3	56492837	1	Battery Mount
4	56496207	1	Oil Filter Assembly
	56496209	1	Oil Filter
5	56900604	2	Reducer
6	56900204	2	Tee
7	56900304	2	Elbow
8	56492841	1	Fuse Cover
9		30	Screw #10-24 x 1/2
10		2	Screw 3/8-16 x 5/8
11	56492905	1	Angle Bracket
12	56492674	1	Support Frame
13		12	Screw 1/4-20 x 1 1/2
14		4	Hex Nut #10-24
15	56492902	1	Exhaust Panel
16	56492794	2	Bar
17	56492911	1	Panel
18		4	Screw 1/4-20 x 1/2
19		12	Hex Nut 1/4-20
20	56496094	2	Latch Keeper
21		16	Hex Nut 5/16-18
22	56495617	1	Electrical Panel
23		4	Screw 1/4-20 x 1
24	56496106	1	Cover
25	56494041	1	Pivot Support, Right
26	56495757	1	Center Support Panel
27	56492659	1	Mounting Bracket
28	56494044	1	Pivot Support, Left
29	56495701	2	Reflector
30		8	Bolt, 1/2-13 x 2
31		12	Hex Nut 1/2-13
32		12	Lock Washer 1/2
33		4	Bolt, 1/2-13 x 2 3/4
34		8	Screw 5/16-18 x 1 3/4
35		4	Flat Washer 1/4
36		4	Lock Washer 1/4
37		8	Screw 1/4-20 x 2 3/4
38	56479656	1	Filler Cap
39	56496317	1	Reservoir Cover
40	56200754	1	Gasket
41	56496284	1	Reservoir
42	56481543	2	Head Lamp Assembly
43	56492101	1	Chassis



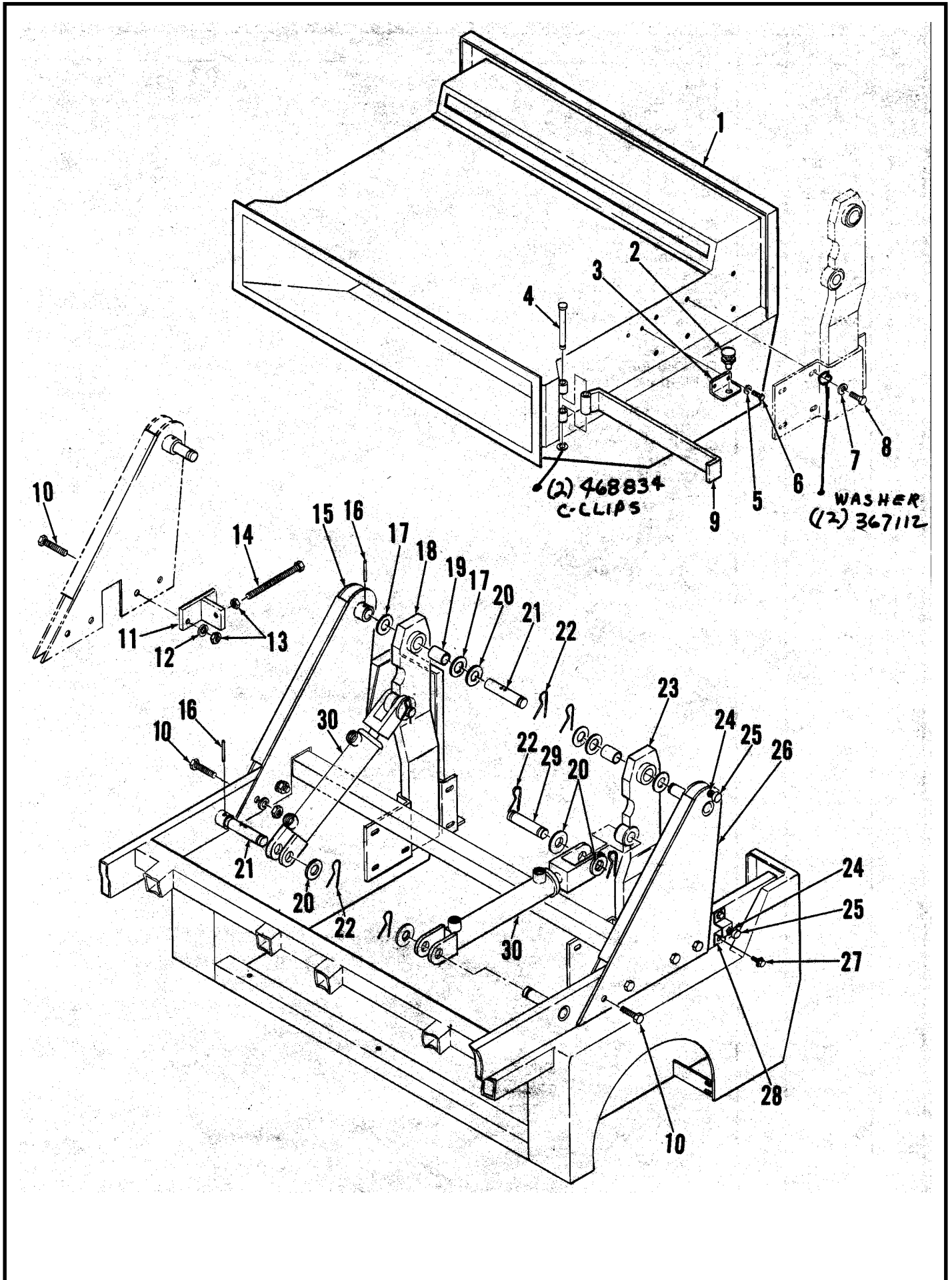
ACCELERATOR LINKAGE ASSEMBLY

Item	Part No.	Qty	Description
1	56496241	1	Hydrostatic Transmission
2	56495453	1	Collar
3		2	Spring Pin, 1/4 x 1
4	56249940	1	Retaining Ring
5	56495459	2	Arm
6	56491698	2	Bearing, Sleeve
7	56495474	1	Bracket
8	56491648	1	Flanged Bearing
9		2	Hex Nut 1/4-20
10		2	Flat Washer 1/4
11	56495441	1	Shaft Bracket
12	56477772	2	Ball Joint
13	56495525	1	Rod
14	56495516	1	Pivot
15	56244941	2	Bushing
16	56491660	2	Sleeve Bearing
17	56495501	1	Spacer
18	56495528	1	Screw 5/16-18 x 2 1/2
19	56468834	1	Retaining Ring
20		2	Screw 10-24 x 1/2
21	56495463	1	Plate
22		2	Screw 10-24 x 1 1/2
23	56324580	2	Spring
24		2	Nut 10-24
25		2	Screw 3/8-24 x 2 1/2
26		2	Hex Nut 3/8-24
27	56495504	1	Bar TSB 415
28		2	Shakeproof Washer
29		2	Screw 5/16-18 x 3/4 TSB 415
30	56321125	2	Retaining Ring
31	56448050	1	Pin
32	56206849	2	Nylon Bearing
33	56449958	1	Mat, Pedal
34	56495492	1	Pedal
35		1	Bolt, 3/8-24 x 2
36		1	Flanged Nut 3/8-24



SEAT ASSEMBLY

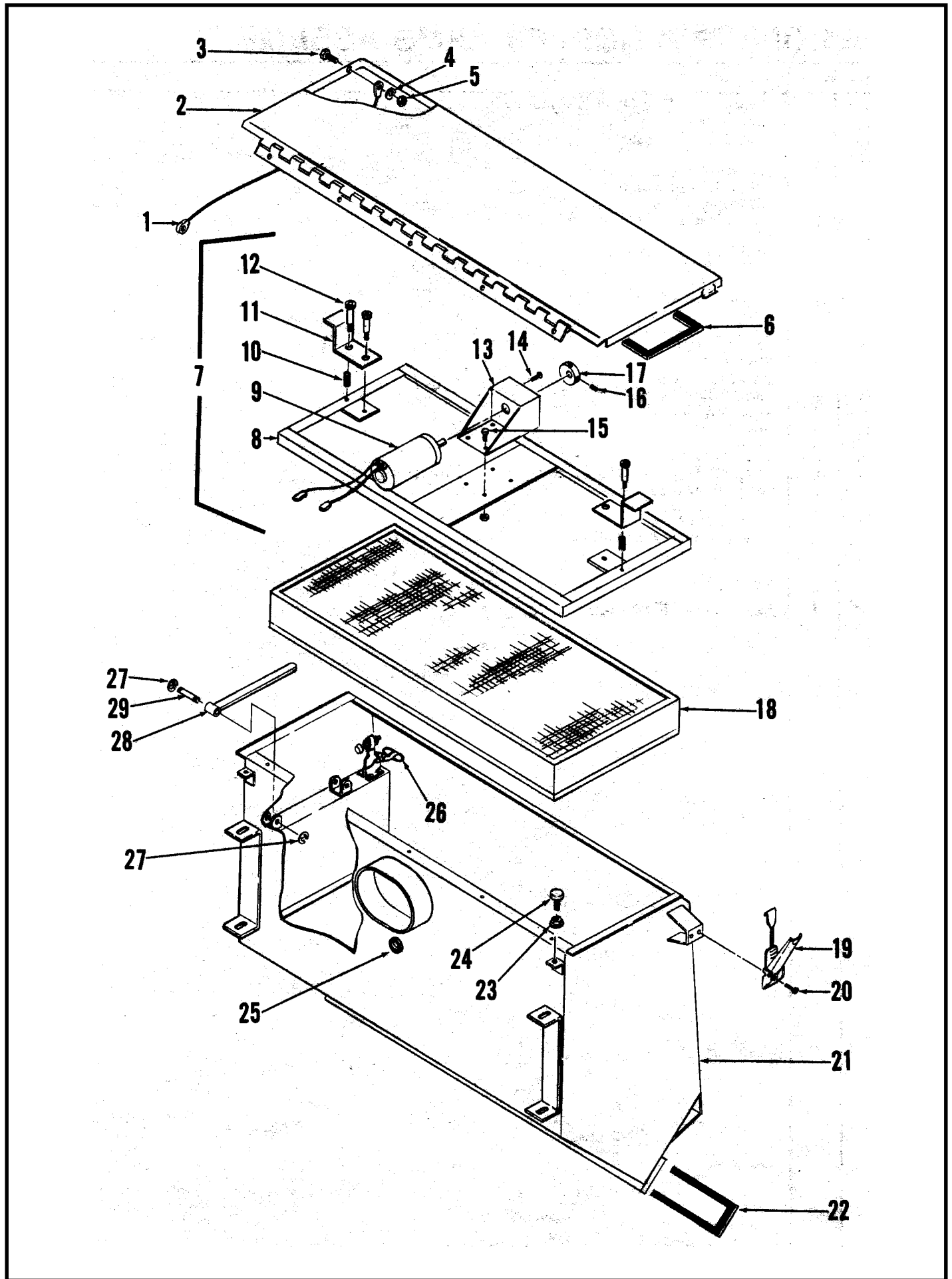
Item	Part No.	Qty	Description
1	56493909	2	Knob
2	56495161	1	Lever
3		1	Screw 10-24 x 1/2
4		1	Flat Washer #10
5	56495151	1	Flap Lever
6	56495087	1	Bracket
7	56491658	1	Plastic Bearing
8	56471220	1	Bushing
9		6	Flat Washer 1/4
10		1	Screw 1/4-20 x 1 1/2
11	56495142	1	Bracket
12	56496273	1	Ball Valve
13	56457363	1	Seat
14		4	Screw 1/4-20 x 5/8
15		2	Screw 1/4-20 x 1/2
16	56496115	1	Bracket, Lock Assembly
17	56578214	1	Lock Assembly
18	56495861	1	Seat Panel
19		20	Flanged Nut 1/4-20
20	56495876	1	Seat Hinge
21	56495988	1	Panel
22	56495985	1	Control Panel
23		5	Screw 10-24 x 1/2
24		8	Screw 1/4-20 x 1/2
25	56495848	1	Seat Panel
26	56448200	1	Brake Lever Assembly
27	56495046	1	Yoke
28		4	Screw 5/16-18 x 3/4
29		4	Lock Washer 5/16
30		4	Flat Washer 5/16
31		4	Flanged Nut 5/16-18
32	56495043	1	Brake Cable Bracket
33	56494913	1	Brake Cable
34		2	Cotter Pin, 1/8 x 1 1/2
35		2	Flat Washer 3/8
36	56493891	1	Rod
37	56448119	1	Spring



HOPPER & HOPPER ARMS ASSEMBLY

Item	Part No.	Qty	Description
1	56494121	1	Hopper TSB 390
2	56578214	2	Lock Assembly
3	56494216	2	Bracket, Lock Assembly
4	56494182	2	Pin
5		8	Lock Washer 1/4
6		8	Screw 1/4-20 x 5/8
7		12	Lock Washer 3/8
8		12	Screw 3/8-16 x 1 1/4
9	56494161	2	Arm
10		8	Bolt 1/2-13 x 3"
11	56494201	1	Plate, Right
		1	Plate, Left
12		8	Lock Washer 1/2
13		10	Nut Hex 1/2-13
14		2	Bolt 1/2-13 x 4
15	56494041	1	Pivot, Right
16	56380728	4	Spring Pin
17	56494001		Washer Thrust
18	56494084	1	Arm, Right TSB 411
19	56494003	2	Bearing, Sleeve
20	56101281	8	Washer
21	56494185	4	Shaft
22	56477583	6	Pin, Cotter Hair
23	56494081	1	Arm, Left TSB 411
24		4	Hex Nut 1/4-20
25	56386312	4	Bumper, Leveling
26	56494044	1	Pivot, Left
27		4	Screw 1/4-20 x 5/8 HP-5
28	56495882	2	Bracket
29	56477581	2	Pin
30	56496203	2	Cylinder
*	56496204	1	Seal Kit for 56496203

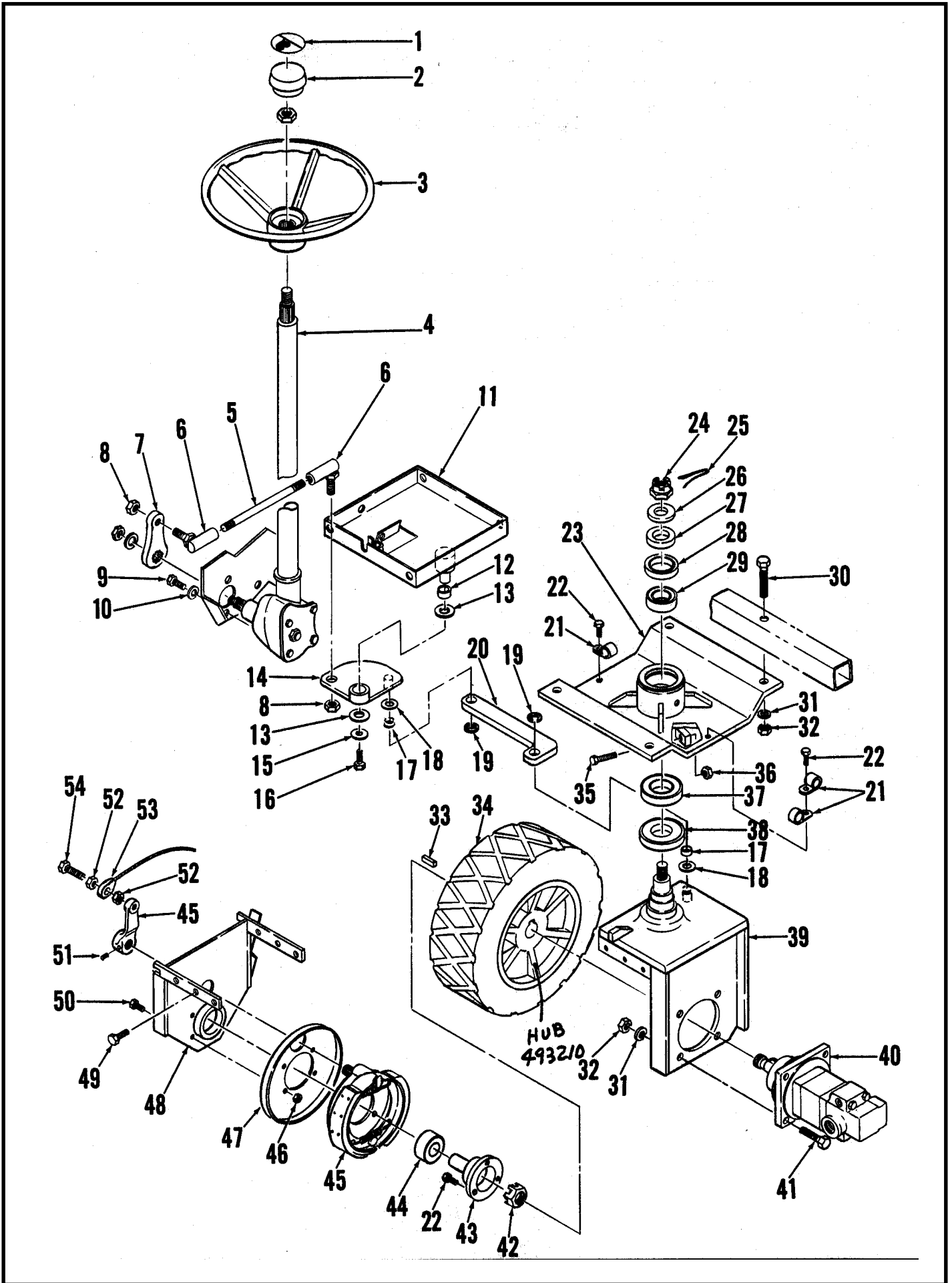
* = Not Shown



FILTER HOUSING ASSEMBLY

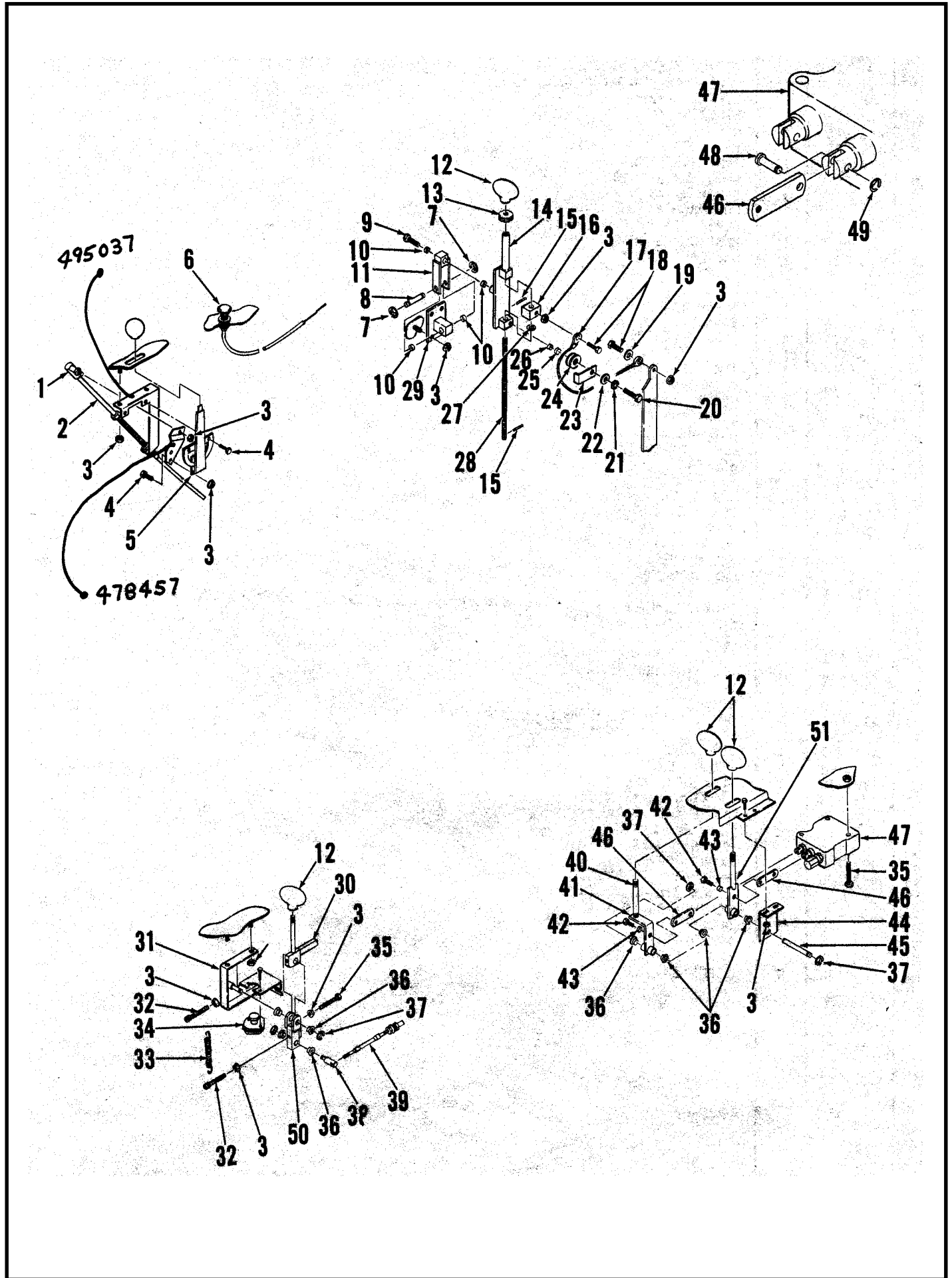
Item	Part No.	Qty	Description
1	56456849	1	Cable
2	56494421	1	Filter Cover
3		1	Screw, #10-24 x 1/2
4		1	Washer, Flat #10
5		1	Nut, 10-24
6	56490112	94"	Gasket, 1/2 x 1/2
7	56494393	1	Shaker Assy.
8	56494381	1	Hold Down, Filter
9	56491820	1	Motor, 12VDC
*	56491823	1	Carbon Brush Kit (for 491820)
10	56171122	2	Spring
11	56491824	2	Bracket
12	56491872	4	Shoulder Bolt, 5/16-18
13	56491840	1	Motor Mount TSB 388
14		3	Screw, 10-32x 1/2
15		4	Screw, 1/4-20 x 1/2
16		2	Set Screw, 10-24 x 3/8
17	56491822	1	Eccentric
18	56494479	1	Filter
19	56471194	2	Latch Assy.
20		4	Screw, #6-32 x 3/8
21	56494310	1	Filter BoX
22	56490110	74"	Gasket, 3/4 x 1
23		2	Flanged Nut, 1/4-20
24	56386312	2	Bumper
25	56321559	1	Grommet
26	56491860	2	Hold Down clamp
27	56321125	2	Retaining Ring
28	56491848	2	Hold Down Lever
29	56491826	2	Pin

* = Not Shown



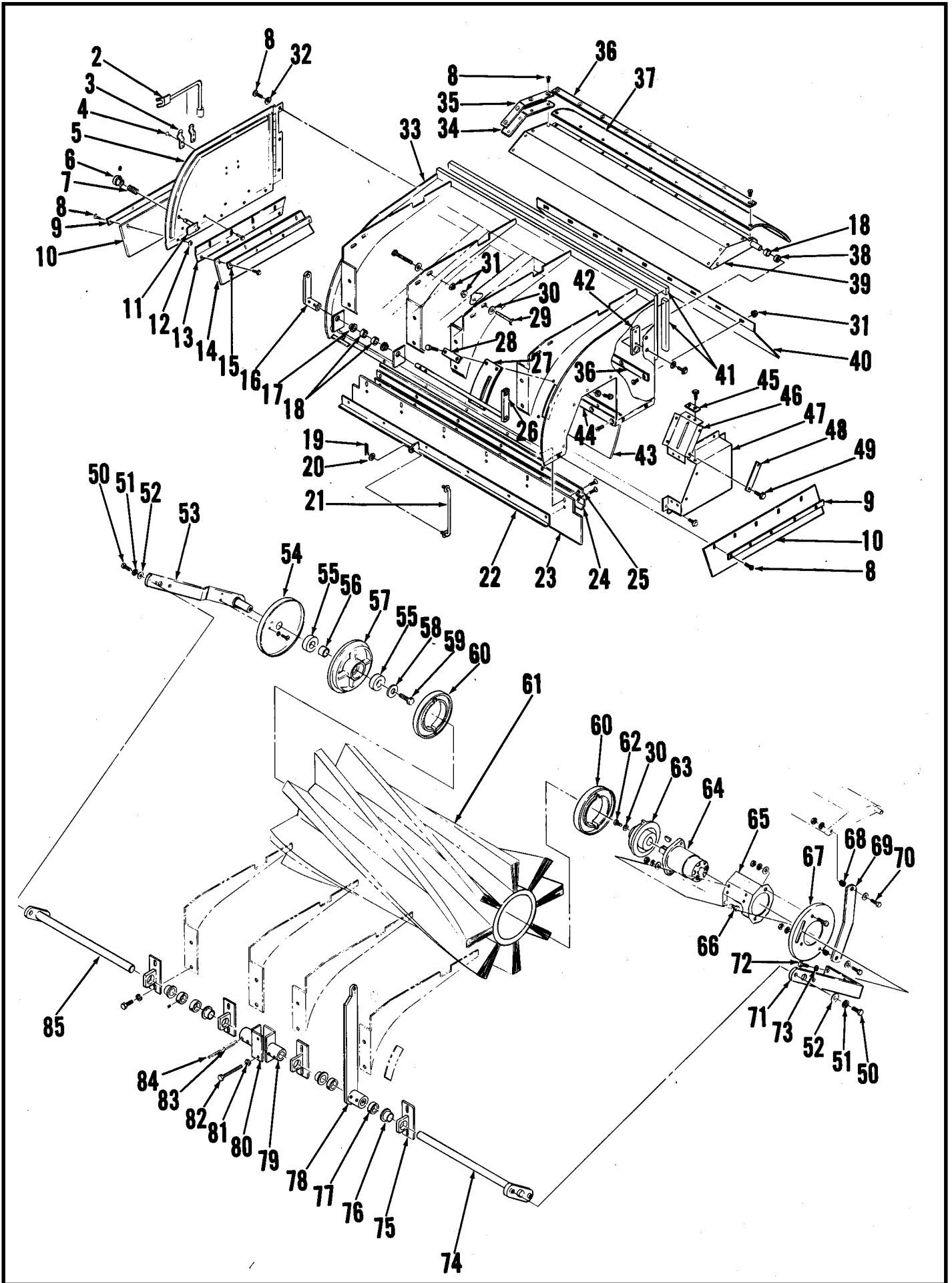
FRONT WHEEL, BRAKE & STEERING ASSEMBLY

Item	Part No.	Qty	Description
1	56016754	1	Decal, Steering Wheel
2	56449774	1	Cap, Steering Wheel
3	56477770	1	Steering Wheel
4	56477767	1	Steering Gear
5	56495076	1	Rod
6	56477772	2	Ball Joint
7	56477806	1	Arm, Steering
8		2	Nut Hex 1/2-20
9		3	Screw 7/16-14 x 1
10		3	Lock Washer
11	56493150	1	Plate
12	56494923	1	Bearing, Sleeve
13	56494925	2	Washer Thrust
14	56494971	1	Pivot
15	56159387	1	Washer
16		1	Screw 1/4-20 x 3/4
17	56494919	2	Bearing, Sleeve
18	56494921	2	Washer Thrust
19	56478775	2	Ring, Retaining
20	56494941	1	Link, Steering
21	56496276	3	Clamp, Hose
22		5	Screw 5/16-18 x 1.0
23	56493110	1	Housing
24	56110817	1	Nut Castle
25		1	Pin, Cotter 1/8 x 1 1/2
26	56101656	1	Washer
27	56477781	1	Bushing
28	56171081	1	Shaft Seal
29	56158143	1	Bearing, Cup
	56158151	1	Bearing, Cone
30		4	Bolt 1/2-13 x 3 1/2
31		8	Lock Washer 1/2
32		8	Hex Nut 1/2-13
33	56477741	1	Key, Square
34	56493205	1	Tire Assembly
*	56455310	1	Tire only
35		1	Screw 3/8-16 x 2 1/2
36		1	Hex Nut 3/8-16
37	56744471	1	Bearing, Cone
	56744474	1	Bearing, Cup
38	56477783	1	Shaft Seal
39	56493130	1	Spindle
40	56456902	1	Drive Motor TSB 463
41		4	Bolt 1/2-13 x 1 3/4
42	56477739	1	Nut Slotted
43	56493190	1	Pilot, Brake
44	56479430	1	Bearing, Ball
45	56493216	1	Parking Brake Assembly
	56493214	1	Brake, Parking
	56493224	1	Arm, Brake
46		4	Hex Nut 5/16-18
47	56493200	1	Guard, Brake
48	56493170	1	Bracket
49		6	Screw 3/8-16 x 3/4
50		4	Screw 5/16-18 x 1 1/4
51		1	Set Screw #10-24 x 5/8
52		2	Hex Nut 1/4-20
53	56494903	1	Brake Cable Assembly
54		1	Screw 1/4-20 x 1 1/4



CONTROLS

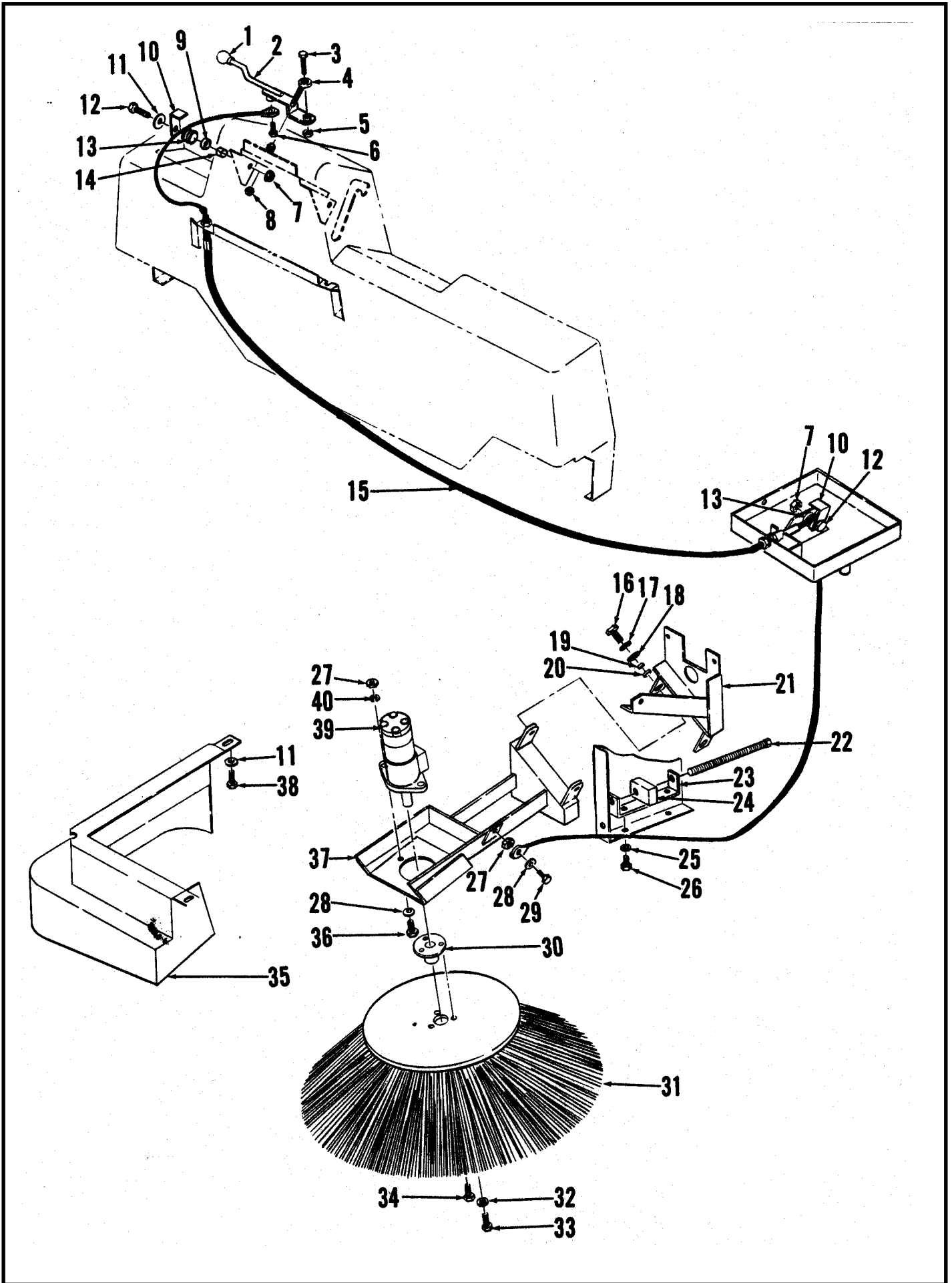
Item	Part No.	Qty	Description
1	56488290	1	Ball Joint
2	56494911	1	Cable, Throttle (G/P)
	56492287	1	Cable, Throttle (Diesel)
3		16	Whiz Nut 1/4-20
4		4	Screw 1/4-20
5	56456328	1	Lever, Throttle
6	56494917	1	Cable, Choke
7	56468834	2	Ring, Retaining
8	56486302	1	Pin
9		1	Screw 1/4-20 x 1 1/2
10	56491660	1	Bearing, Plastic
11	56495025	1	Pivot
12	56493909	4	Knob
13	56495127	1	Nut
14	56495102	1	Lever
15		2	Spring Pin
16	56495121	1	Block, Nut
17	56494903	1	Cable
18		1	Screw 1/4-20 x 1.0
19		2	Washer Flat 1/4
20		1	Screw 7/16-18 x 1 1/4
21		1	Washer Shakeproof 5/16
22		1	Washer Flat 5/16
23	56390778	1	Guide, Cable
24	56159743	1	Pulley
25	56491654	1	Bearing, Plastic
26	56159794	1	Bushing
27		1	Washer Flat 3/8
28	56495124	1	Rod
29	56495013	1	Bracket, Broom Lever
30	56494983	1	Lever, Fan
31	56494956	1	Bracket, Fan Lever
32		2	Screw 1/4-20 x 1.0
33	56324580	1	Spring, Extension
34	56441550	1	Switch, Vacuum
35		4	Screw 1/4-20 x 1 3/4
36	56491658	8	Bearing, Flange
37	56321427	6	Ring, Retaining
38	56495081	1	Pin, Cable
39	56494915	1	Cable, Fan
40	56495145	1	Rod
41	56495133	1	Lever
42		2	Screw 1/4-20 x 3/4
43	56368989	2	Bushing
44	56495982	1	Bracket
45	56495176	1	Pin
46	56495139	2	Linkage
47	56456975	1	Valve, Control TSB 412
48	56495173	2	Pin
49	56321125	2	Ring, Retaining
50	56494998	1	Pivot
51	56495090	1	Lever



MAIN BROOM & HOUSING ASSEMBLY

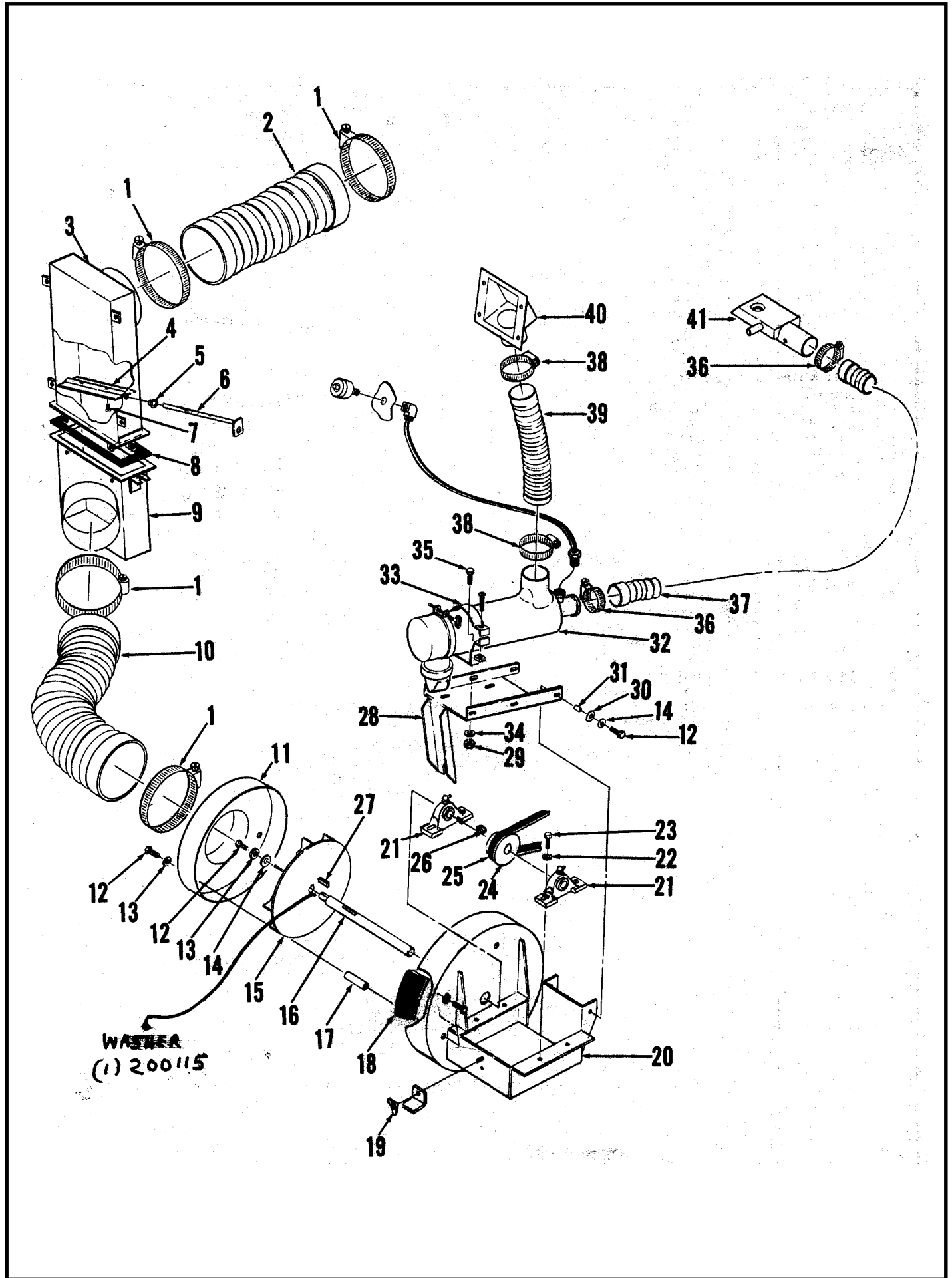
Item	Part No.	Qty	Description	Item	Part No.	Qty	Description
1	56493775	1	Door Assembly	51		4	Washer Lock 1/2
2	56493802	1	Tool	52		4	Washer Flat 1/2
3	56477620	1	Clamp, Tool	53	56493706	1	Idler Arm
4		4	Screw	54	56493754	1	String Guard
5	56493778	1	Door	55	56479430	2	Ball Bearing
6	56475480	1	Knob	56	56479434	1	Spacer
7	56491900	1	Spring	57	56493860	1	Idler Hub
8		57	Screw 10-24 x 3/8	58		1	Washer
9	56493790	1	Strap	59		1	Screw 5/16-18 x 3/4
10	56493787	1	Blade	60	56493501	2	Main Broom Insert
11	56493827	1	Latch	61	56493506	1	Main Broom / Light Duty Polycorn/Polypropylene 8 Row
12		5	Nut Flanged 10-24		56493512	1	Main Broom / Medium Duty Polycorn/Polypropylene 12 Row
13	56493745	1	Angle		56493503	1	Main Broom / Heavy Duty Polypropylene / Wire 12 Row
14	56493742	1	Blade				
15	56493748	1	Strap				
16	56493873	1	Bar				
17	56465366	2	Bearing, Flanged	62		1	Screw 1/4-20 x 7/8
18	56449228	2	Collar	63	56477762	1	Drive Hub
19		2	Cotter Pin 1/8 x 1	64	56496205	1	Broom Motor
20		2	Washer Flat 3/8	65	56493613	1	Motor Bracket
21	56493882	1	Rod	66		2	Screw 1/2-13 x 1 1/4
22	56493757	1	Angle	67	56493751	1	String Guard
23	56493836	1	Blade	68	56368989	2	Bushing
24	56493839	1	Strap	69	56493670	1	Bar
25	56493769	1	Strap	70		2	Screw 1/4-20 x 1
26	56493864	1	Shaft	71	56493604	1	Bar
27	56493848	2	Shield, Neoprene	72		4	Screw 5/16-18 x 3/4
28	56493851	4	Strap	73		4	Lock Washer 5/16
29		8	Screw 1/4-20 x 2 3/4	74	56493619	1	Shaft Lever, Left
30		9	Washer Flat 1/4	75	56493592	4	Bearing Housing
31		20	Whiz Nut #10	76	56491650	4	Flanged Bearing
32		20	Lock Washer #10	77	56444820	4	Collar
33	56493541	1	Housing, Broom	78	56493643	1	Lift Bar
34	56493700	2	Strip	79	56493661	1	Collar Plate, Left
35	56493691	2	Strap	80	56493652	1	Collar Plate, Right
36	56493694	2	Strap	81		1	Hex Nut 3/8-16
37	56493697	1	Strip	82	56493640	2	Screw 3/8-16
38	56249656	2	Bushing	83		2	Spring Pin, 5/16 x 1 3/4
39	56463679	1	Flap	84		2	Spring Pin, 3/16 x 1 3/4
40	56493718	1	Deflector	85	56493631	1	Shaft Lever, Right
41	56490110	96"	Gasket, 3/4 x 1		56496276	2	Hose Clamp (not shown)
42	56479267	2	Pillow Block				
43	56493793	1	Blade				
44	56493796	1	Strap				
45	56493739	2	Strap				
46	56493733	1	Shield				
47	56493854	1	Guard				
48	56493736	2	Strap				
49		8	Screw 10-24 x 1/2				
50		4	Bolt, 1/2-13 x 1				

NOTE TSB 390, G-10



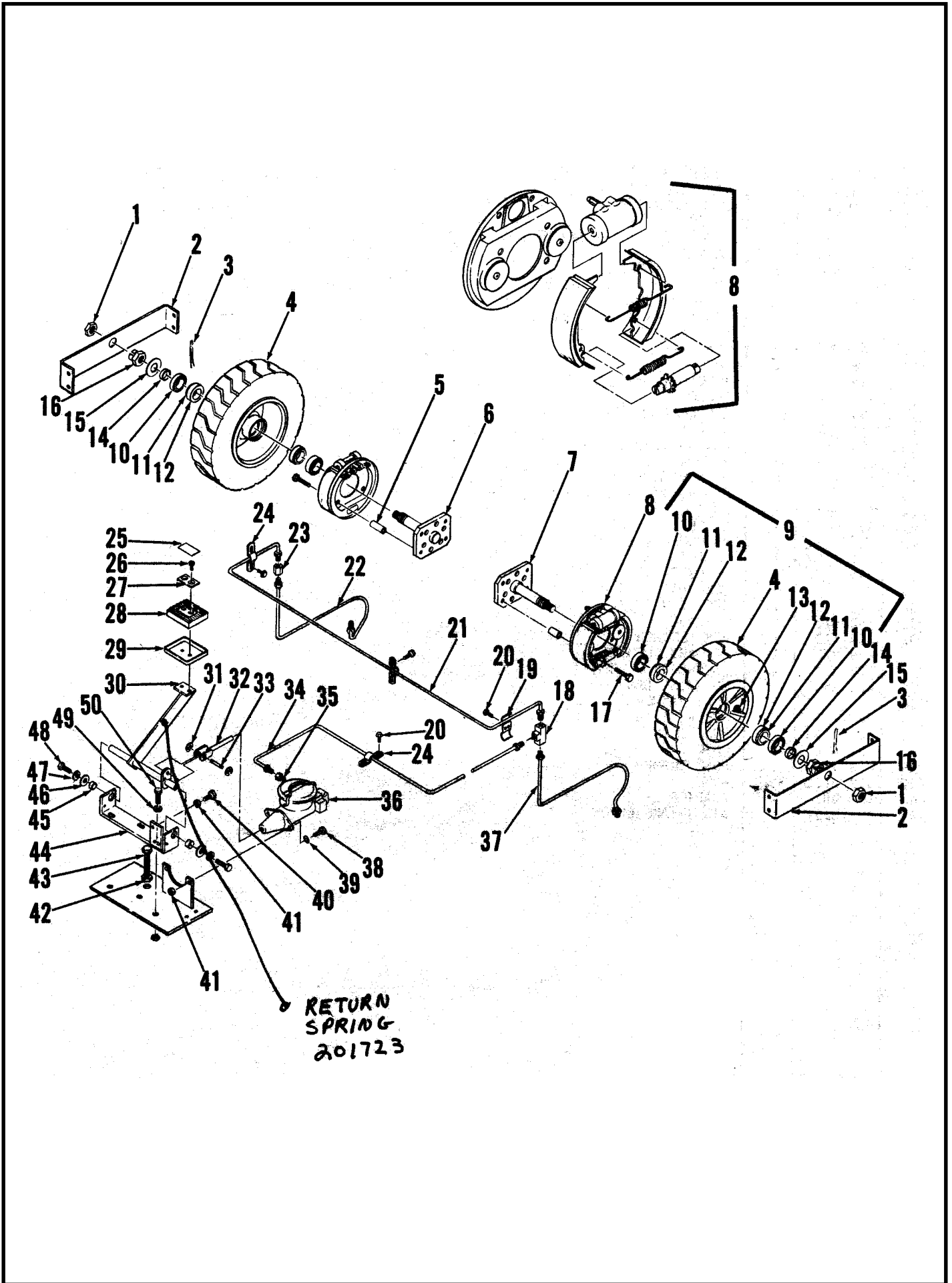
SIDE BROOM ASSEMBLY

Item	Part No.	Qty	Description
1	56364527	1	Knob
2	56494741	1	Lever
3		1	Screw 3/8-24 x 1 1/4
4	56494907	1	Rod End
5		1	Nut 3/8-24
6		1	Screw
7		2	Whiz Nut 7/16-14
8		2	Nut 3/8-24
9	56159794	2	Bushing
10	56300778	2	Guide
11		5	Washer
12		2	Screw 7/16-14 x 1 1/4
13	56159743	2	Pulley
14	56491654	2	Bearing
15	56494905	1	Cable Assembly See 56040232
16		2	Screw 1/2-13 x 1 1/2
17		2	Lock Washer
18	56367214	2	Washer
19	56360627	2	Bearing
20	56491636	2	Bushing
21	56494759	1	Bracket
22	56494824	1	Rod
23	56494810	1	Bracket
24	56494821	1	Block
25		2	Washer
26		2	Screw 5/16-18 x 3/4
27		3	Nut 1/2-13
28		3	Washer
29		1	Screw 1/2-13 x 1 1/4
30	56479948	1	Hub
31	56477812	1	Side Broom
32		3	Washer
33		3	Screw 5/16-18 x 1
34		1	Screw 1/4-20 x 3/4
35	56415821	1	Side Broom Panel, Right
36		2	Screw 1/2-13 x 1 3/4
37	56494774	2	Washer
38		3	Screw 3/8-24 x 1 1/4
39	56479609	1	Side Broom Motor TSB 381
40		2	Lock Washer



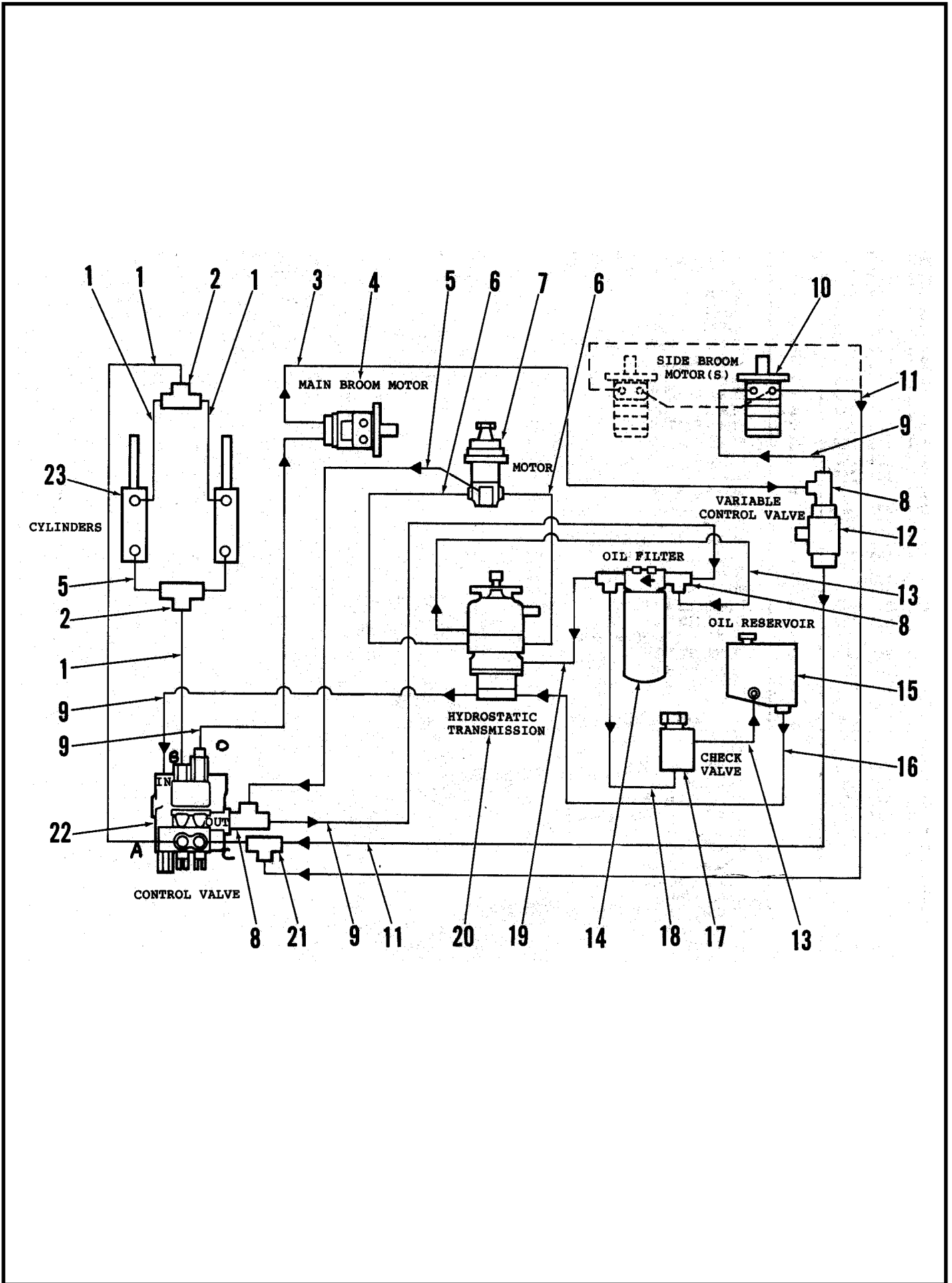
IMPELLER ASSEMBLY

Item	Part No.	Qty	Description
1	56355488	4	Hose Clamp
2	56494547	1	Hose
3	56494581	1	Upper Adapter
4	56494571	1	Valve Plate
5	56206849	2	Nylon Bearing
6	56494559	1	Lever Pin
7		2	Screw #6-32 x 1/2 HP-5
8	56325324	1	Gasket
9	56494614	1	Lower Adapter
10	56494553	1	Hose
11	56478672	1	Spinning Shroud
12		7	Screw 1/4-20 x 3/4
13		7	Lock Washer
14	56159387	3	Flat Washer
15	56478668	1	Impeller
16	56494537	1	Impeller Shaft
17	56478762	3	Spacer
18	56494509	1	Acoustical Foam
19	56201677	1	Wing Nut
20	56494520	1	Fan Housing Bracket
21	56494506	2	Pillow Block
22		4	Lock Washer
23		4	Screw 3/8-16 x 3/4
24	56494503	1	Sheave
25	56494501	1	V-Belt
26	56158135	1	Woodruff Key
27	56741168	1	Square Key
28	56494541	1	Bracket
29		4	Hex Nut 5/16-18
30	56290342	2	Spring Washer
31	56163872	2	Bushing
32	56478710	1	Air Cleaner
	56478720	1	Primary Element
	56478722	1	Secondary Element
33	56480650	2	Mounting Band
34		4	Flat Washer
35		4	Screw 5/16-18 x 1/2
36	56440213	2	Hose Clamp
37	56492601	1	Hose
38	56456797	2	Hose Clamp
39	56456310	1	Hose
40	56492887	1	Adapter
41	56492819	1	Air Intake Elbow



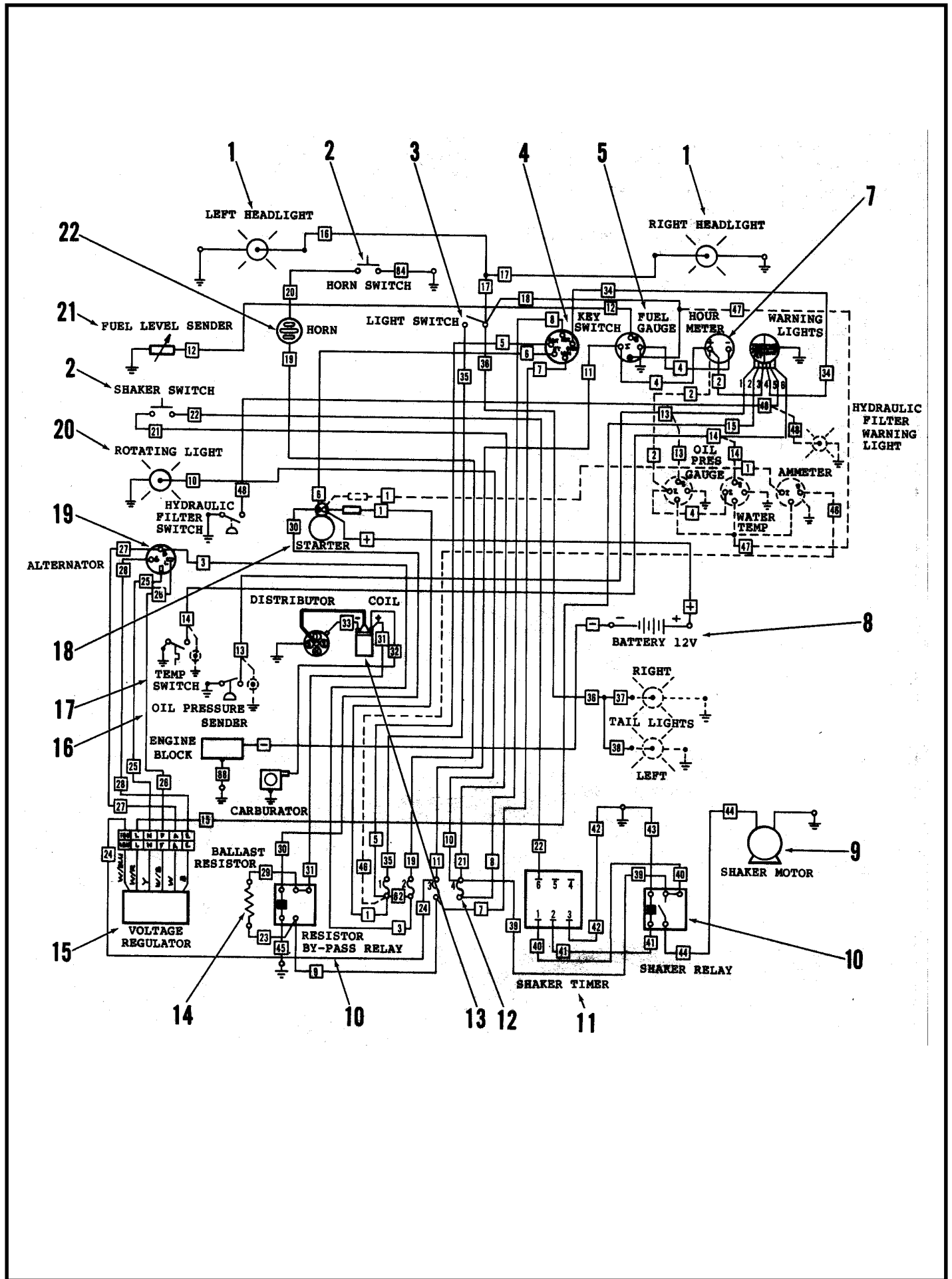
REAR WHEEL ASSEMBLY

Item	Part No.	Qty	Description
1	56493325	2	Nut
2	56493350	2	Gusset
3		2	Cotter Pin
4	56448145	2	Tire
5	56493353	8	Bushing
6	56493359	1	Shaft, Right
7	56493362	1	Shaft, Left
8	56493317	2	Stator Assembly
9	56493341	2	Tire Assembly
10	56477724	4	Seal
11	56378259	4	Bearing Cup
12	56378267	4	Bearing Cone
13	56344362	2	Lube Fitting
14	56477729	2	Spacer
15	56101281	2	Washer
16	56101265	2	Nut
17		8	Screw 5/16-18 x 2
18	56493303	1	Tee
19	56300155	1	Clamp
20		8	Screw 10-24 x 1/2
21	56493309	1	Brake Line Tube
22	56493311	1	Brake Line, Right
23	56493305	1	Adapter
24	56290965	3	Brake Line Clamp
25	56025122	1	Decal,Brake
26		2	Screw 1/4-20 x 7/8
27	56365081	1	Pedal Plate
28	56365086	1	Pad, Rubber
29	56365087	1	Cup, Pedal
30	56495064	1	Lever
31	56475498	2	Retaining Ring
32	56477909	1	Rod
33	56477902	1	Pin
34	56493307	1	Brake Line Tube
35	56493301	1	Adapter
36	56477828	1	Master Cylinder
37	56493313	1	Brake Line, Left
38		2	Screw 5/16-18 x 1
39		2	Washer Shakeproof
40		1	Screw 5/16-18 x 1 1/4
41		3	Nut 5/16-18
42		1	Nut 3/8-16
43		1	Screw 3/8-16 x 2 1/4
44	56495052	1	Brake Lever Bracket
45	56491660	2	Bearing
46		2	Washer
47		2	Lock Washer
48		2	Screw 1/4-20 x 1/2
49		3	Washer
50		3	Screw 3/8-16 x 1 1/2



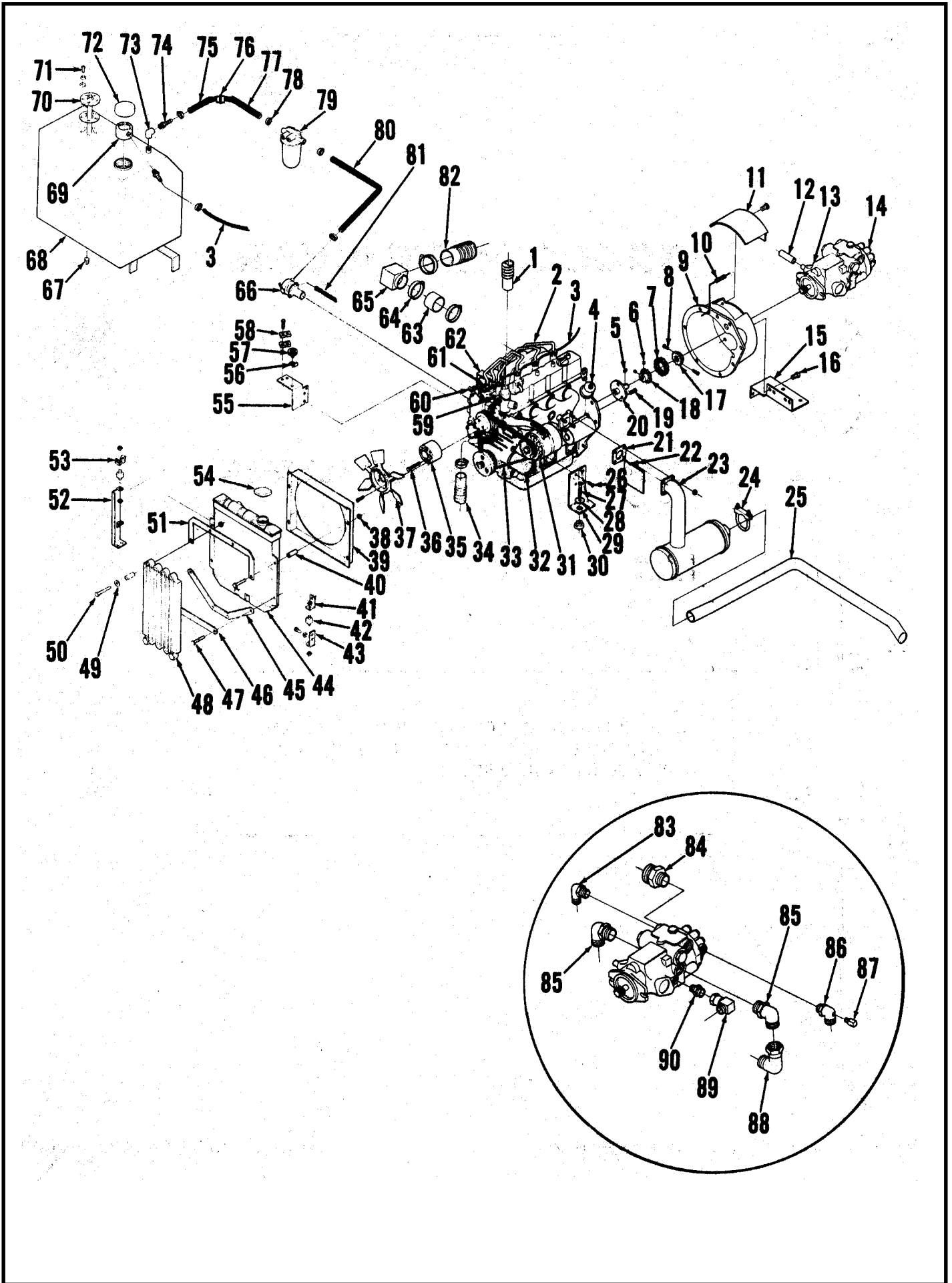
HYDRAULIC DIAGRAM

Item	Part No.	Qty	Description
1	56496211	4	Hose, 30"
2	56900441	2	Tee, Union
3	56496217	1	Hose, 95"
4	56496205	1	Main Broom Motor
5	56496212	3	Hose, 40"
6	56496218	2	Hose, 80"
7	56456902	1	Wheel Motor TSB 463
8	56900204	4	Tee, Run
9	56496220	4	Hose, 48"
10	56479609	1	Side Broom Motor
11	56496216	2	Hose, 75"
12	56496273	1	Ball Valve, 2 Way
13	56496213	2	Hose, 13"
14	56496207	1	Oil Filter
	56496209	1	Oil Filter Element
15	56496284	1	Oil Reservoir
16	56496219	1	Hose, 48"
17	56496201	1	Check Valve
18	56496214	1	Hose, 25"
19	56496215	1	Hose, 35"
20	56496241	1	Hydrostatic Transmission
21	56900254	1	Tee, Branch
22	56456975	1	Control Valve TSB 412
23	56496203	2	Cylinder TSB 411



ELECTRICAL DIAGRAM

Item	Part No.	Qty	Description
1	56481543	2	Headlight Assembly
2	56441555	2	Switch, Horn & Shaker
3	56376348	1	Switch, Light
4	56478640	1	Ignition Switch
5	56489584	1	Fuel Gauge
6	56478361	1	Hour Meter
7	56494901	1	Indicator Light
8	56441511	1	Battery, 12V
9	56491820	1	Shaker Motor
10	56491862	2	Relay
11	56491870	1	Time Delay
12	56478271	4	Fuse, 15A
13	56481569	1	Ignition Coil
14	56481579	1	Ballast Resistor
15	56481575	1	Voltage Regulator
16	56495601	1	Oil Pressure Switch
17	56492881	1	Temperature Switch
18	56492925	1	Starter
	56492933	1	Starter Solenoid
19	56433924	1	Alternator
20	56489639	1	Rotating Light
21	56478358	1	Fuel Gauge Sender
22	56442054	1	Horn



DIESEL ENGINE

Item	Part No.	Qty	Description	Item	Part No.	Qty	Description
1	56492939	1	Radiator Hose	46	56492213	1	Cooler Support
2	56492622	1	Diesel Engine	47	56001856	4	Screw
3	56481684	1	Rubber Tube	48	56487380	1	Oil Cooler
4	56478698	1	Oil Pressure Sender	49	56454626	4	Washer
5	56378291	1	Key	50	56001874	4	Screw
6		2	1/4-20 X 1/4 Screw	51	56492222	1	Cooler Mount
7	56480820	1	Coupler Chain	52	56492306	1	Radiator Mount Panel
8		2	1/4-20 X 7/8 Screw	53	56492212	2	U Bracket
9	56493044	1	Bell Housing	54	56456481	1	Radiator Cap
10	56492262	1	Dowelpin	55	56492277	1	Throttle Bracket
11	56492944	1	Cover	56	56390778	1	Guide
12	56492264	1	Collar	57	56159749	1	Pulley
13	56496241	1	Hydrostatic Transmission	58	56469300	2	Clamp
14	56496242	1	Gear Pump	59	56492309	1	Temperature Switch
15	56492668	1	Plate	60	56468524	1	Clamp
16		6	1/2-13 X 2 1/4 Bolt	61	56358560	1	Spring
17	56480820	1	Sprocket	62	56492276	1	Bracket
18	56480817	1	Sprocket	63	56492278	1	Hose Adapter
19	56492142	3	Screw	64	56440213	3	Hose Clamp
20	56492194	1	Adapter	65	56492270	1	Adapter
21	56492616	1	Gasket	66	56492112	1	Fuel Pump
22	56492266	1	Shield	67	56742477	1	Plug
23	56492275	1	Muffler	68	56492721	1	Fuel Tank
24	56487272	1	Clamp	69	56492748	1	Filler Neck
25	56492296	1	Exhaust Pipe	70	56478358	1	Fuel Level Sender
26	56481693	8	Screw	71		5	#10-32 X 7/16 Screw
27		4	1/2-13 X 4 Bolt	72	56478502	1	Cap
28		4	1/2 Washer	73	56111295	1	Elbow
29	56493059	1	Right Motor Mount	74	56369594	2	Barb
	56493068	1	Left Motor Mount	75	56481371	1	Rubber Tube
30	56478685	4	Rubber Mount	76	56492885	1	Fuel Filter
31	56492115	1	Alternator	77	56492259	1	Fuel Line
32	56492110	1	Oil Filter	78	56219932	8	Hose Clamp
33	56492124	1	Belt	79	56492113	1	Fuel Filter
34	56492940	1	Radiator Hose	90	56492260	1	Fuel Line
35	56492265	1	Fan Adapter	81	56492253	1	Fuel Line
36	56481148	4	Screw	82	56492601	1	Flex Hose
37	56456551	1	Fan	83	56900104	1	Elbow
38	56001835	14	Nut	84	56900018	1	Connector
39	56492177	1	Shroud	85	56900106	2	Elbow
40	56488487	6	Spacer	86	56456960	1	Elbow
41	56492211	2	Angle	87	56491546	1	Plug
42	56478684	4	Rubber Mount	88	56900306	1	Elbow
43	56492707	2	Angle	90	56900020	1	Fitting
44	56492607	1	Radiator				
45	56492214	1	Cooler Mount				



Nilfisk-Advance, Inc.
14600 21st Avenue North
Plymouth, MN, 55447-3408
www.nilfisk-advance.com
Phone: 800-989-2235
Fax: 800-989-6566
©2000 Nilfisk-Advance, Inc.,
Plymouth, MN 55447-3408
Printed in the U.S.A.