



# Electronic Service Manuals

This electronic document is provided as a service to our customers. We do not create the contents of the information contained in this document. Should you have detailed questions pertaining to the information contained in this document, you may contact Michco, or the manufacturer which provided the original information in this electronic deliverable. Michco's only part in this electronic deliverable was the electronic assembly process.

You may contact Michco through the following methods:  
Phone (517) 484-9312 or (800) 331-3339 MI, OH, IN only  
2011 N. High St. -- Lansing, Michigan -- 48906  
Fax: (517) 484-9836  
Email: [CustServ@Michco.com](mailto:CustServ@Michco.com)  
Web site: [www.Michco.Com](http://www.Michco.Com)  
Parts Web site: [www.FloorMachineParts.Com](http://www.FloorMachineParts.Com)

Order Parts on Line at:  
**[www.FloorMachineParts.Com](http://www.FloorMachineParts.Com)**

Directly to Parts & Service:  
By Email: **[Shop@Michco.com](mailto:Shop@Michco.com)**  
By Fax: (517) 702-2041  
By Voice: Use numbers above.

**Serving the Cleaning Industry Since 1922**

Notice: All copyrighted material remains property of original owners, all trademarks are property of respective owners. Manuals are subject to Manufacturer's reproduction limitations. Originals or reproductions were provided by manufacturers through a request. We make no warranty as to the correctness of information provided in this document and you assume all risk.

# Retriever™ 5100G/P

---



## **PARTS LIST**

### **Advance MODELS 56497000, 56497010**

**This parts list is for machines after serial number 353005**

**All models covered in this manual are OBSOLETE**



# **Advance**

*by Nilfisk-Advance*

11/89 revised 10/02 FORM NO. 56042216

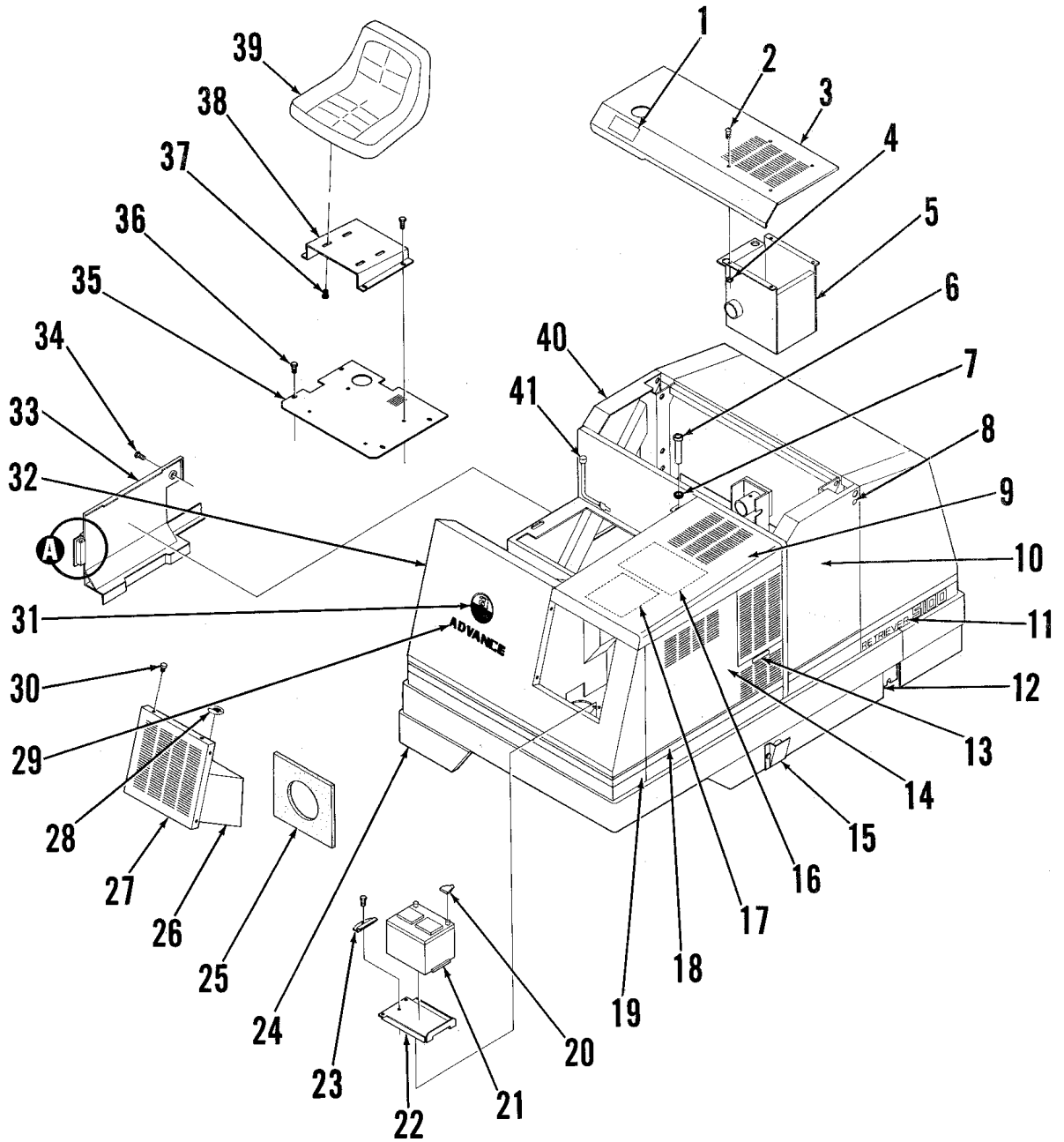
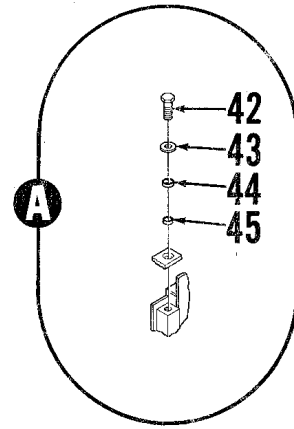
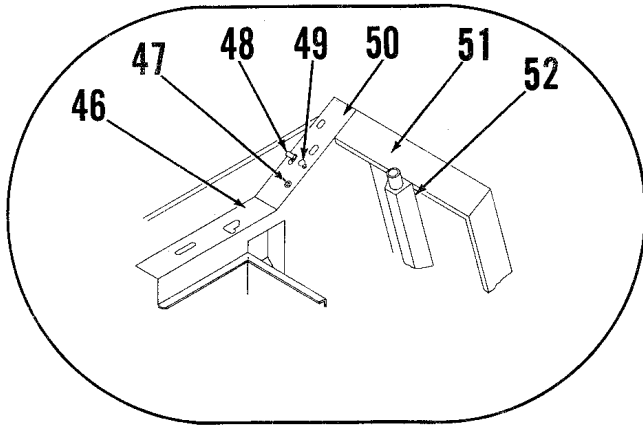
## TABLE OF CONTENTS

DESCRIPTION	PAGE
Chassis Assembly .....	1-2
Engine Assembly .....	3-4
LP System .....	5-6
Accelerator Assembly .....	7-8
Impeller Assembly .....	9-10
Front Wheel And Steering .....	11-12
Rear Wheel Assembly .....	13-14
Skirt Assembly .....	15-16
Main Broom Assembly .....	17-18
Fixed Side Broom .....	19-20
Moveable Side Broom .....	21-22
Hopper Assembly .....	23-24
Hydraulic Controls .....	25-26
Hydraulic Diagram .....	27-28
Gas Wiring Diagram .....	29-30
LP Wiring Diagram .....	31-32
Accessories And Options .....	33

### WHEN ORDERING PARTS

- \* Use the 8 digit numbers from the "Part No." columns in this parts list.
- \* Specify the model and serial number of the machine.
- \* Use the space below to record the model and serial number for future reference.

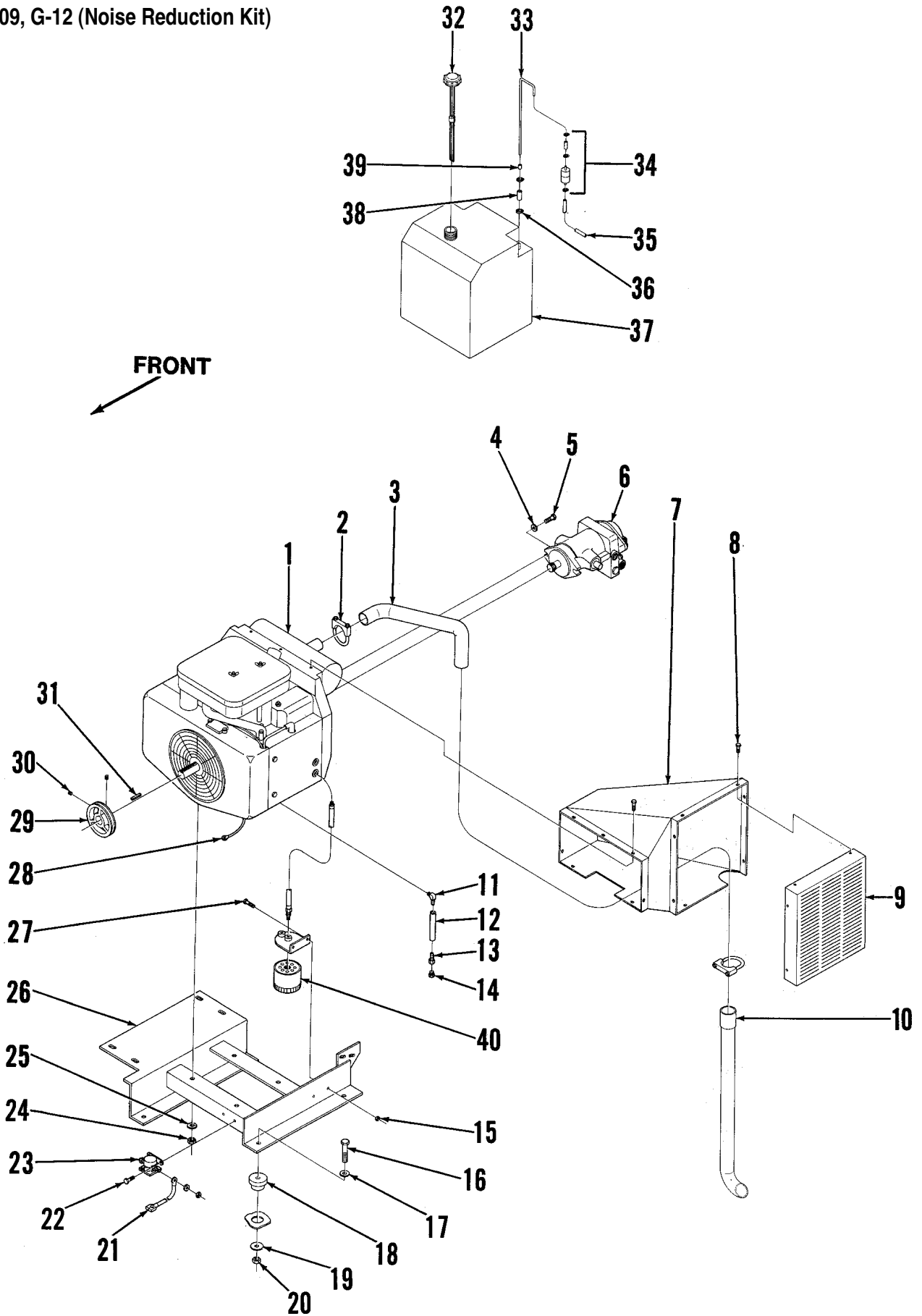
Model \_\_\_\_\_ Serial No. \_\_\_\_\_



## CHASSIS ASSEMBLY

Item	Part No.	Qty	Description	Item	Part No.	Qty	Description
1	56026050	1	Decal, Gas	27	56497452	1	Front Grill
2		4	1/4-20 x 5/8 Screw	28	56030080	1	Decal, Hands Clear
3	56497455	1	Cover Panel	29	56016543	1	Decal, Advance
4		4	1/4-20 Nut	30	56386321	2	Hood Stops
5	56497533	1	Duct Weldment	31	56014322	1	Decal, Logo
6	56477580	2	Safety Pin	32	56497150	1	Chassis
7	56477514	2	Grommet	33	56497473	1	Side Door Assembly
8	56025120	4	Decal, Safety Pin	34		1	1/2-13 x 2 Screw
9	56497454	1	Hood	35	56497448	1	Seat Deck
	56497554	1	Hinge	36		8	1/4-20 x 3/4 Screw
	56482158	1	Prop Rod	37		4	3/8-16 x 3/4 Screw
	56168744	1	Grommet	38	56497179	1	Bracket, Standard Seat
	56477583	1	Cotter Pin		56497641	1	Bracket, Optional Seat
10	56497472	1	Left Panel	39	56448080	1	Seat (Standard)
11	56014681	2	Decal, Retriever 5100		56481346	1	Seat (Optional)
12	56497062	1	Panel, Weldment	40	56497471	1	Right Panel
13	56030072	1	Decal, Caution	41	56477598	1	Wrench
14	56497485	1	Door Panel		56477620	1	Clip
15	56497572	1	Exhaust Deflector	42		2	1/2-13 x 1-1/4 Screw
16	56014685	1	Decal, Hydraulic System	43		2	1/2 Flat Washer
17	56014684	1	Decal, Electrical Schematic	44	56367168	2	Bearing
18	56024006	4	Red and Black Stripe	45	56367206	2	Bushing
19	56014778	4	Grey Stripe	46	56014687	1	Decal, Lower Panel
20	56372673	2	Boot	47	56470793	1	Ignition Switch
21	56441511	1	Battery	48	56478456	1	Throttle Control W/Cable
22	56497451	1	Battery Tray	49	56760210	1	Choke W/Cable (Gas only)
23	56469193	1	Hold Down Assembly		56403602	1	Primer Switch (LP only)
		1	5/16-18 x 1 Screw	50	56014686	1	Decal, Control Panel
24	56497453	1	Broom Guard	51	56014688	1	Decal
25	56497555	1	Foam Gasket	52	56497151	1	Channel Weldment
26	56497556	1	Engine Cowl				

TSB 509, G-12 (Noise Reduction Kit)



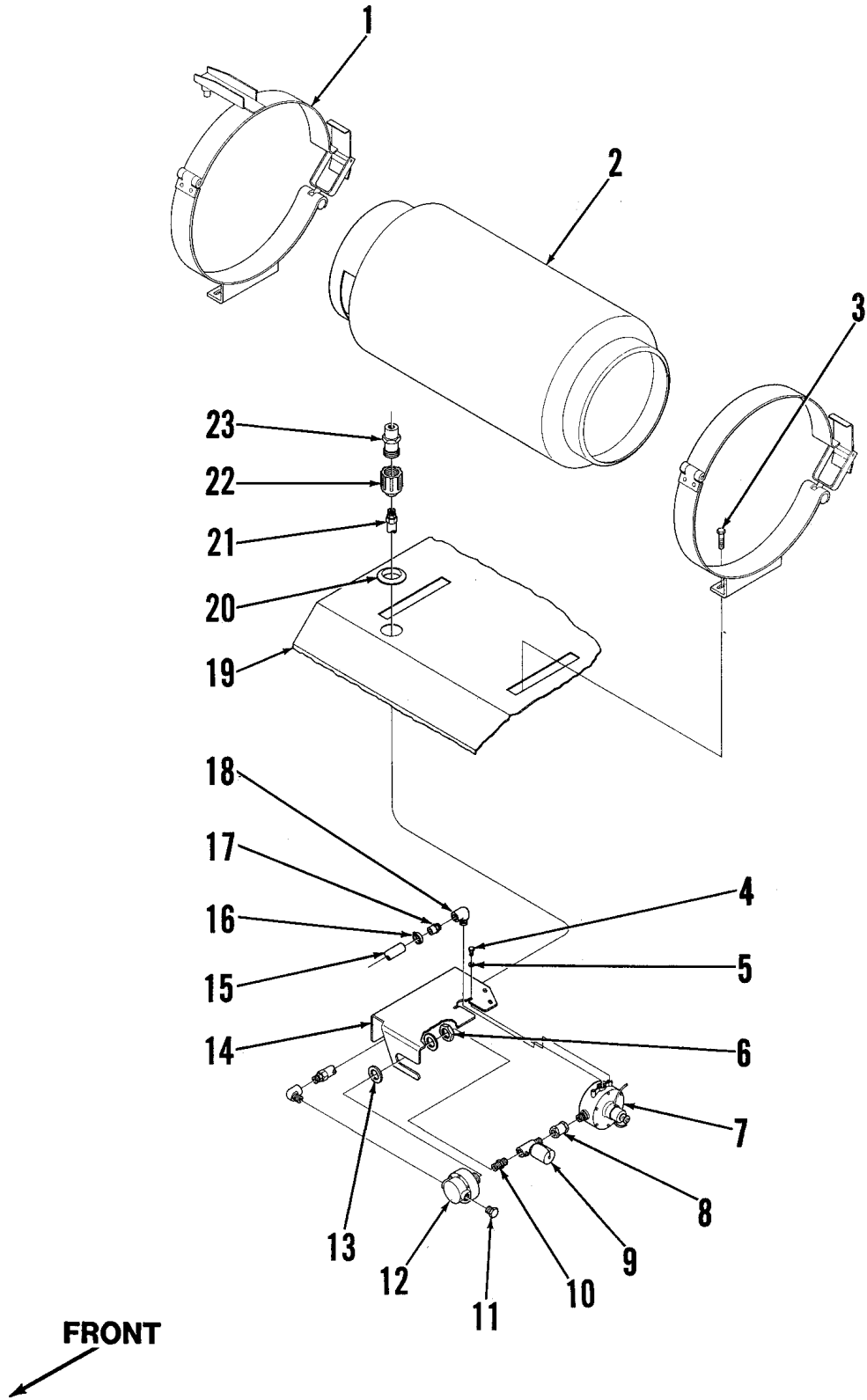
# ENGINE ASSEMBLY

Item	Part No.	Qty	Description
1	56497285	1	Engine, Gas
	56497605	1	Engine, LP
2	56343236	2	Muffler Clamp
3	56497272	1	Exhaust Pipe
4		2	3/8 Flat Washer
5		2	3/8-16 x 1-1/2 Screw
6	56497326	1	Pump
7	56497279	1	Shroud
8		14	1/4-20 x 1/2 Screw
9	56497283	1	Side Grill
10	56497541	1	Exhaust Pipe
11	56753691	1	Elbow Barb
12	56456594	1	6" Hose
13	56900030	1	Barb Fitting
14	56740136	1	Plug
15		2	#10-24 Nut
16		4	1/2-13 x 2-1/4 Screw
17		4	1/2 Flat Washer
18	56478685	4	Rubber Mount
19		4	1/2 Flat Washer
20		4	1/2-13 Nut
21	56497425	1	Positive Battery Cable
*	56497426	1	Negative Battery Cable
22		2	#10-24 x 1-1/2 Screw
23	56441546	1	Solenoid
24		4	1/2-13 Nut
25		4	1/2 Lock Washer
26	56497273	1	Skid Weldment
27		2	#10-24 x 1-1/2 Screw
28	56497428	1	Ground Strap
29	56497303	1	Sheave
30		2	5/16-16 x 3/8 Set Screw
31	56122203	1	1/4 x 1-3/16 Square Key
32	56497427	1	Fuel Gauge
33	56497536	1	Stand Tube
34	56492885	1	Fuel Filter Assembly
35	56497540	1	Fuel Line
36		2	3/4" Hose Clamp
37	56497515	1	Fuel Tank
38	56497539	1	Hose
39	56497537	1	Hose
*	56497421	1	Engine Wiring Harness
40	56497568	1	Oil Filter

## Air Filter Elements:

*	56497569	1	Inner Paper Filter
*	56497570	1	Outer Foam Filter

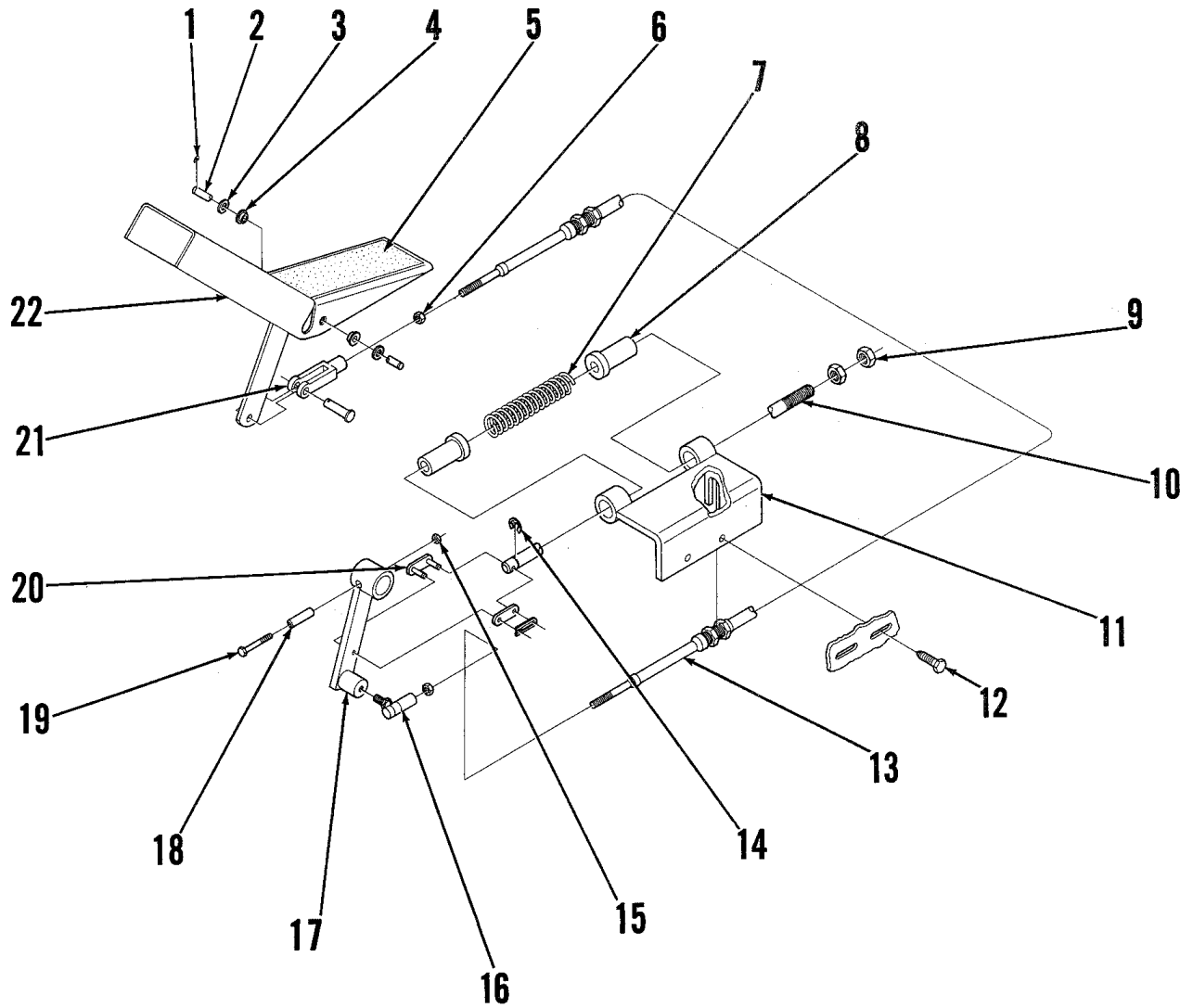
\* = Not Shown



## LP SYSTEM

Item	Part No.	Qty	Description
1	56497606	1	Bracket Set
2	56456590	1	LP Tank (Not Included)
3		4	1/4-20 x 1 Screw
4		2	#10-32 x 5/8 Screw
5		2	#10 Flat Washer
6		1	7/8-14 Nut
7	56470101	1	Regulator
8	56220526	1	Coupling
9	56403582	1	Solenoid Valve
10	56742317	1	Nipple
11		1	1/4 Pipe Plug
12	56403586	1	Filter
13		2	7/8 Flat Washer
14	56497601	1	Regulator Mount
15	56497608	1	Hose
16	56219932	2	Hose Clamp
17	56497609	1	Fitting
18	56456954	2	Elbow
19	56497603	1	Panel
20	56344621	1	Grommet
21	56497607	1	Hose
22	56369675	1	Female Coupler
23	56369683	1	Male Coupler
*	56497605	1	Engine, LP
*	56497604	1	LP System Wiring Harness
*	56493063	1	Diode Assembly (near Carburetor)

\* = Not Shown

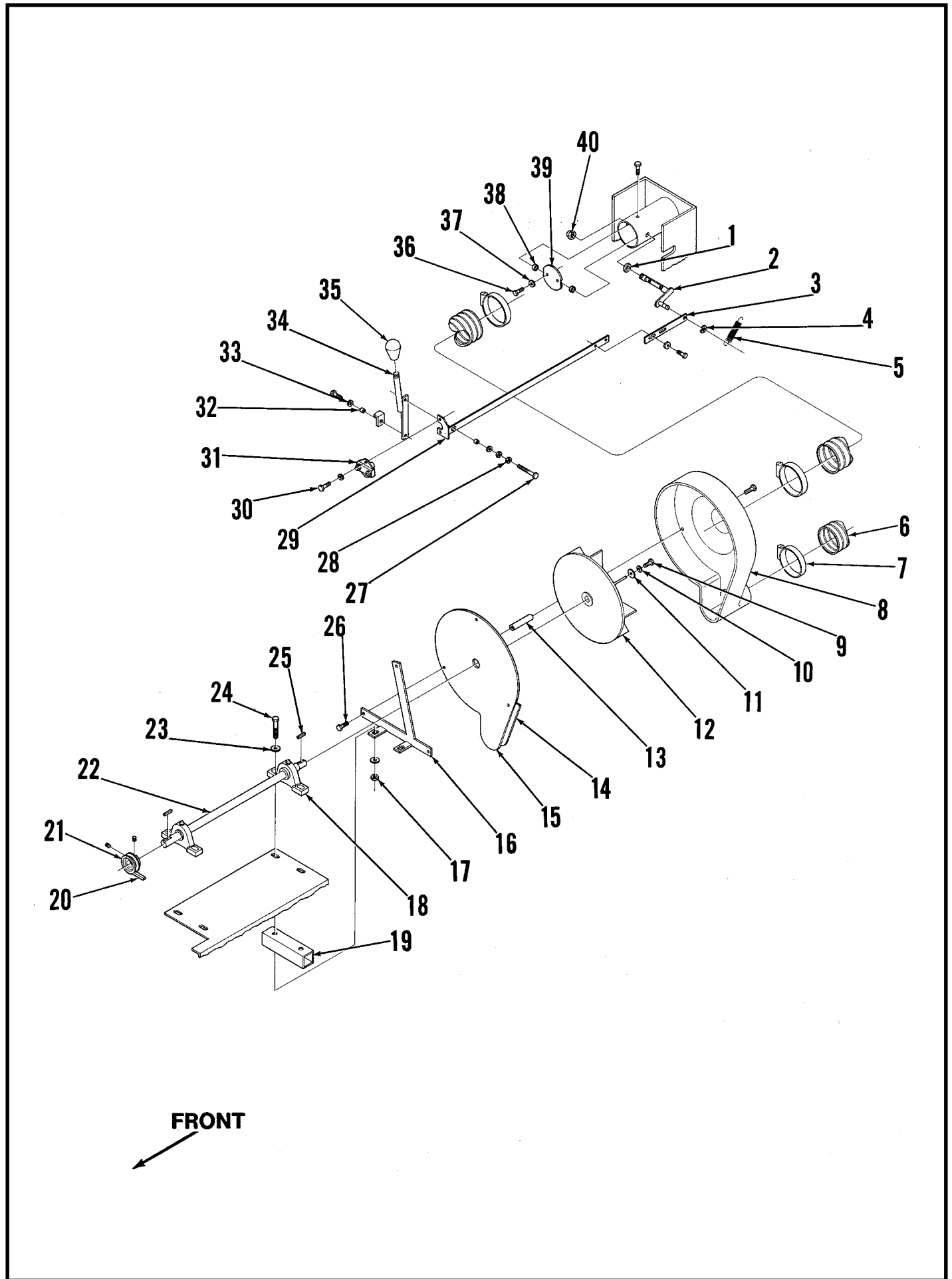


**FRONT**  
↙

## ACCELERATOR LINKAGE ASSEMBLY

Item	Part No.	Qty	Description
	56497312	1	Accelerator Linkage Assembly
1	56321125	2	Retaining Ring
2	56448050	1	Shaft
3		2	1/4 Flat Washer
4	56206849	2	Bushing
5	56449958	1	Pedal Mat
6		2	#10-32 Nut
7	56373869	1	Spring
8	56497577	2	Flange Bushing
9		2	3/8-16 Nut
10	56497317	1	Centering Shaft
11	56497581	1	Centering Weldment
12		2	1/4-20 x 1/2 Screw
13	56497319	1	Cable
14	56321427	1	Retaining Ring
15		1	#6-32 Nut
16	56488290	1	Ball Joint
17	56497547	1	Lever
18	56469872	1	Roll Pin
19		1	#6-32 x 1-1/4 Screw
20	56445096	1	Link Assembly
21	56492543	1	Clevis Assembly
	56493008	1	Pin
		1	Cotter Pin
22	56497313	1	Pedal
*		1	3/8-16 x 2-3/4 Screw (Forward Pedal Stop)
*		1	3/8-16 x 1-3/4 Screw (Reverse Pedal Stop)

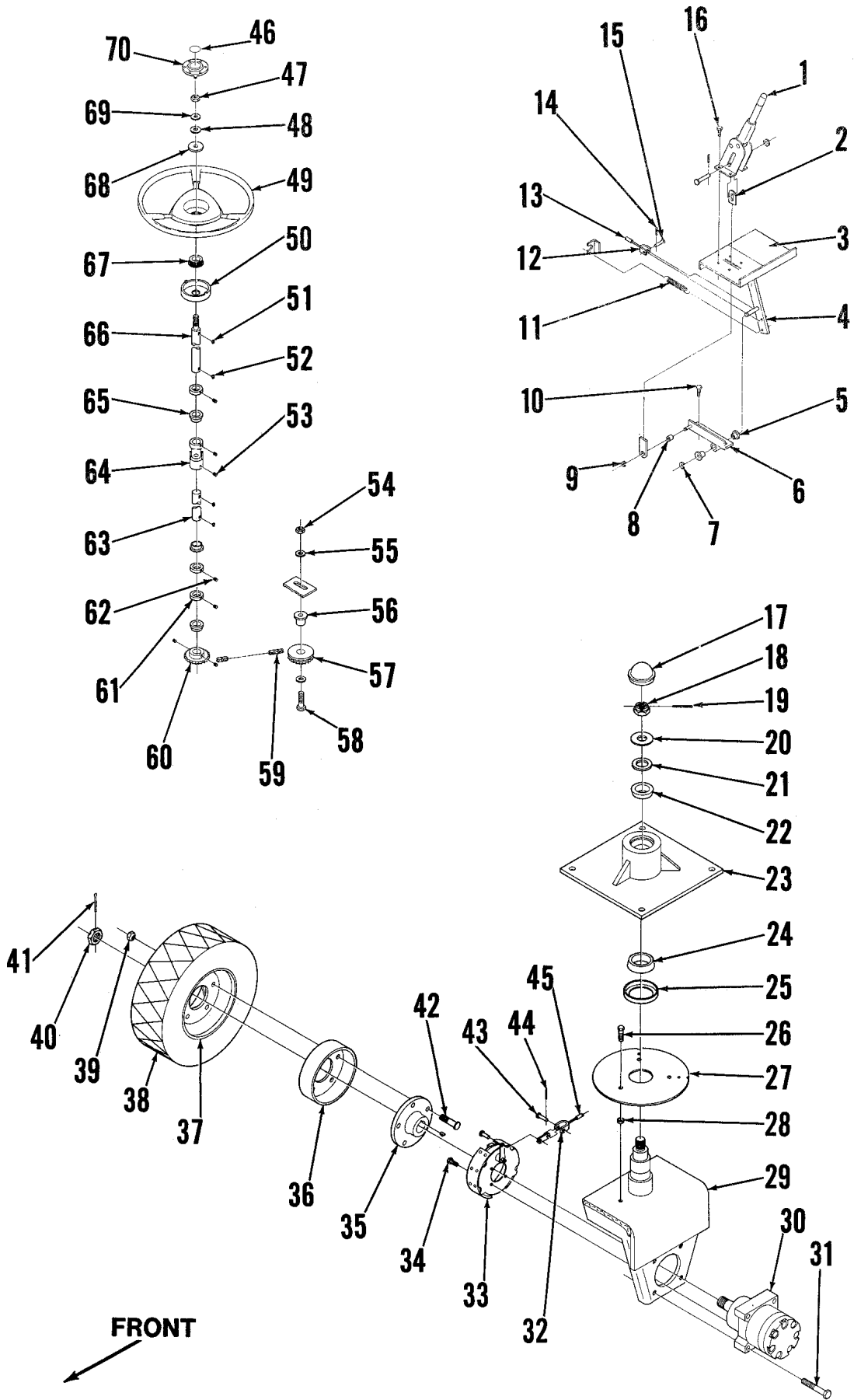
\* = Not Shown



## IMPELLER ASSEMBLY

Item	Part No.	Qty	Description
1	56232181	1	Bushing
2	56482224	1	Shaft
3	56497302	1	Bar
4	56373797	1	Retaining Ring
5	56365068	1	Spring
6	56482319	2	Flex Hose
7	56352829	4	Hose Clamp
8	56482217	1	Shroud
9		1	5/16-24 x 1-1/4 Screw
10		1	5/16 Lock Washer
11	56358956	1	Washer
12	56478668	1	Impeller
13	56478762	3	Spacer
14	56209434	1	Gasket
15	56482321	1	Plate
16	56481490	1	Bracket
17		4	3/8-16 Whiz Nut
18	56494506	2	Pillow Block <b>TSB 639, G-8</b>
	56101737	2	Grease Fitting
19	56497527	1	Spacer
20	56471087	1	V-Belt
21	56482138	1	Pulley
		2	5/16-18 x 3/8 Set Screw
22	56497296	1	Shaft
23		8	3/8 Flat Washer
24		2	3/8-16 x 3 Screw
		2	3/8-16 x 1-1/2 Screw
25	56367958	2	Square Key
26		6	1/4-20 x 1 Screw
27		1	1/4-20 x 2-3/4 Screw
28		2	1/4-20 Nut
29	56478002	1	Linkage Arm
30		5	1/4-20 x 3/4 Screw
31	56441555	1	Switch
32	56379298	2	Bushing
33		5	1/4 Flat Washer
34	56477993	1	Lever
35	56492792	1	Knob
36		2	#6-32 x 3/4 Screw
37		2	#6 Flat Washer
38	56329098	2	Bearing
39	56469208	1	Plate
40	56453771	1	Acorn Nut
*	56497423	1	Shaker Motor Wiring Harness

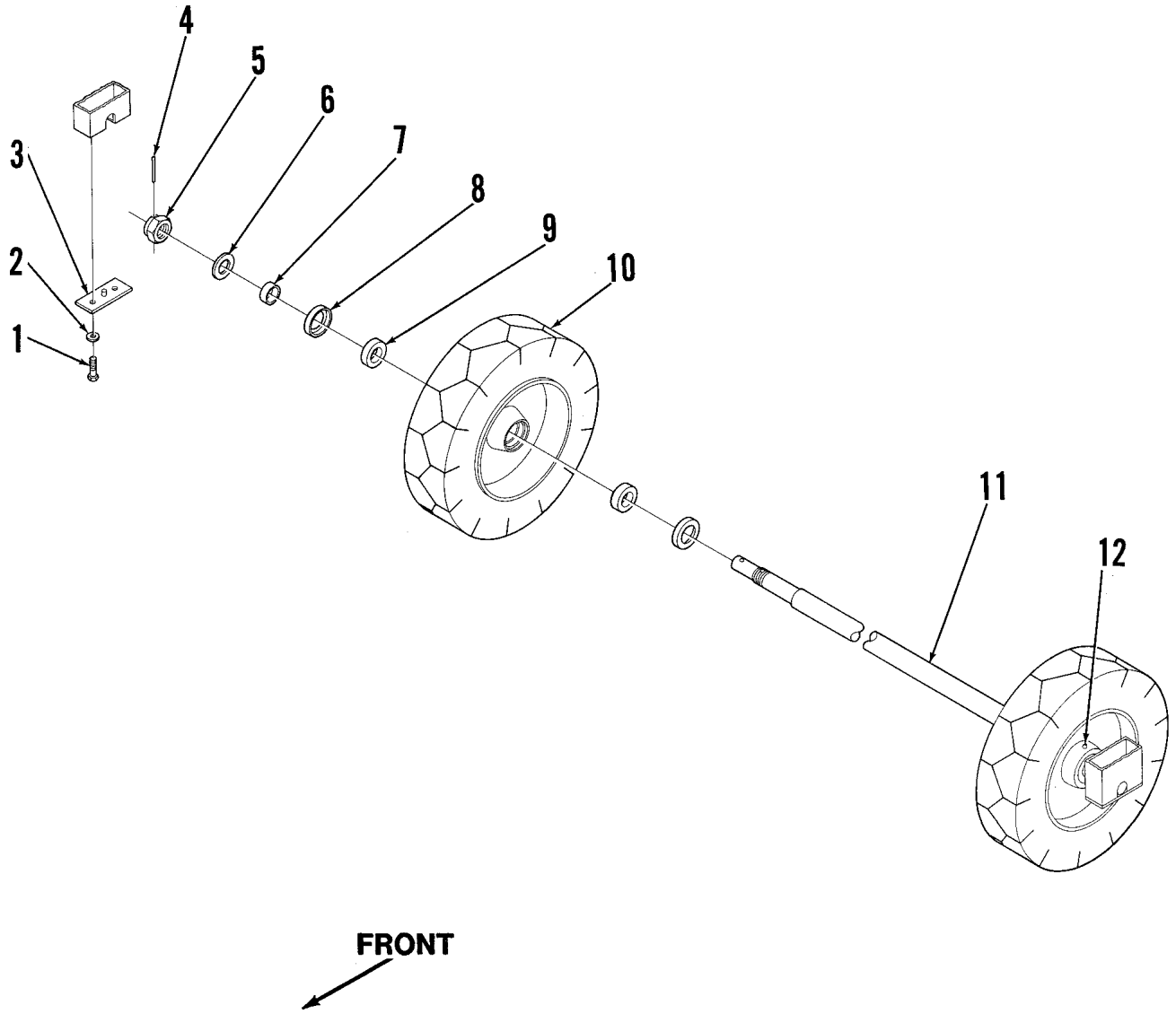
\* = Not Shown



## FRONT WHEEL AND STEERING ASSEMBLY

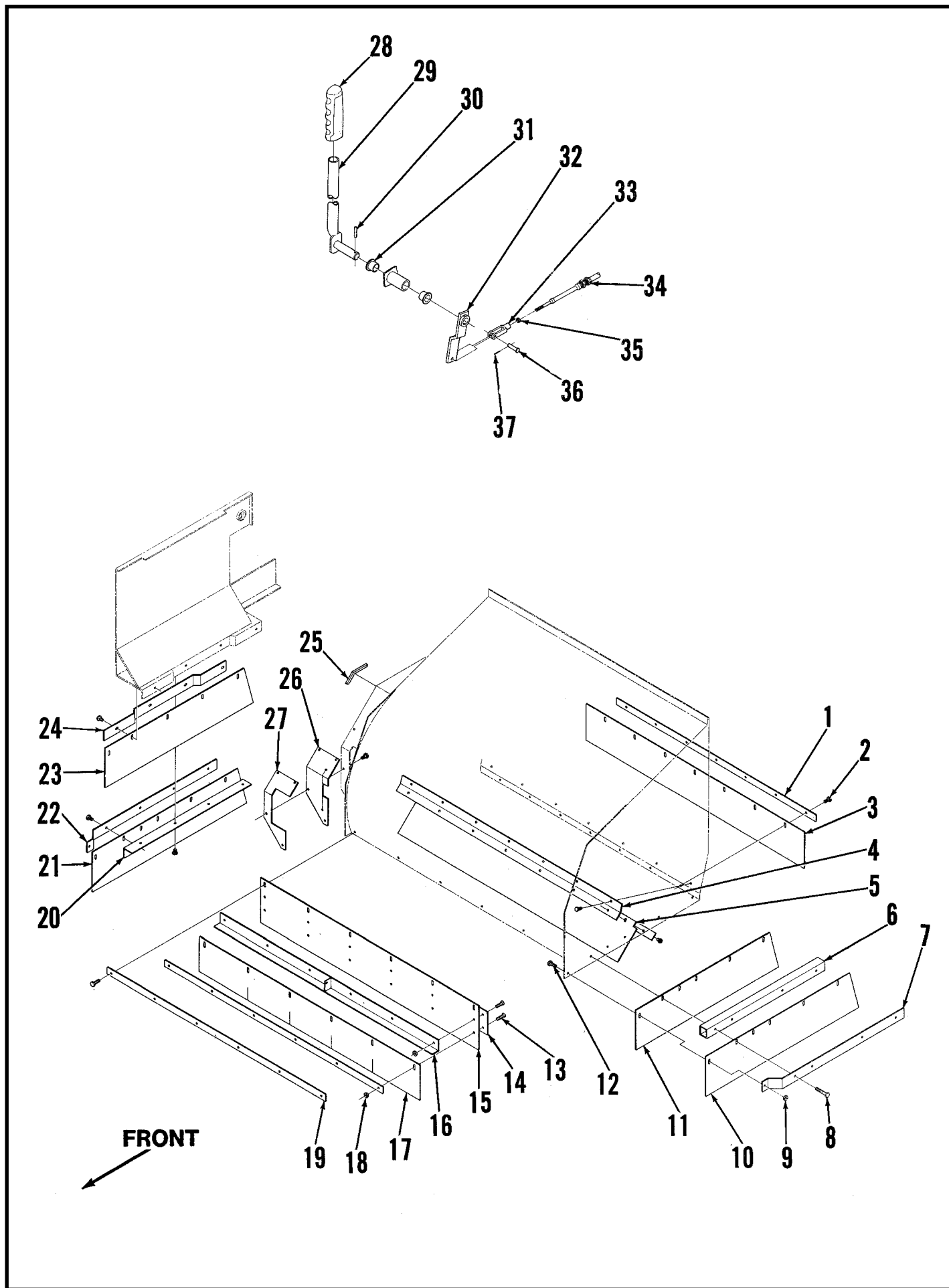
Item	Part No.	Qty	Description	Item	Part No.	Qty	Description
1	56448200	1	Brake Lever Assembly	36	56497254	1	Drum
2	56497268	1	Link	37	56497256	1	Hub
3	56497066	1	Pedal Mat	38	56448145	1	Tire
4	56497260	1	Pedal Weldment	39	56497257	5	Lug Nut
5	56185264	2	Flange Bearing	40	56477739	1	Nut (old style 1-20 nut)
6	56497264	1	Bracket Weldment		56462927	1	Nut (new style 1-1/8-18 nut)
7	56468834	1	Retaining Ring	41		1	Cotter Pin
8	56368970	1	Bushing	42	56497252	5	Stud
9	56321427	1	Retaining Ring	43	56493030	2	Pin
10		2	5/16-18 x 1 Screw	44		2	Cotter Pin
11	56365068	1	Spring	45	56493010	1	Brake Cable
12	56493045	1	Clevis	46	56014448	1	Decal, Logo
13	56493010	1	Cable	47		1	1/2-20 Jam Nut
14		2	3/32 x 3/4 Cotter Pin	48		1	1/2 Flat Washer
15	56493030	1	Pin	49	56497306	1	Steering Wheel
16		4	1/4-20 x 1/2 Screw	50	56497308	1	Cup
17	56483135	1	Grease Cap	51	56154083	1	Woodruff Key
18	56110817	1	Castle Nut	52	56124028	3	Woodruff Key
19		1	1/8 x 1-1/2 Cotter Pin	53		2	3/8-16 x 1/2 Set Screw
20	56101656	1	Washer	54		1	5/16-18 Whiz Nut
21	56497241	1	Bushing	55		2	5/16 Flat Washer
22	56492699	1	Bearing	56	56497311	1	Flange Bushing
	56492697	1	Bearing Race	57	56454079	1	Sprocket
23	56497242	1	Mounting Plate	*	56101737	1	Grease Fitting
24	56492700	1	Bearing	58		1	5/16-18 x 1-3/4 Screw
	56492702	1	Race	59	56497310	1	Chain
25	56493191	1	Seal	60	56471148	1	Sprocket
26		3	5/16-18 x 1-1/4 Screw	61	56367095	3	Collar
27	56497258	1	Sprocket	62		5	5/16-18 x 5/16 Set Screw
28	56232181	3	Spacer	63	56497309	1	Lower Shaft
29	56497246	1	Spindle Weldment	64	56454081	1	Universal Joint
30	56497329	1	Motor <b>TSB 543, G-9</b>	65	56250414	3	Flange Bearing
	56497787	1	Motor after SN468199	66	56454093	1	Upper Shaft
*	56503025	1	Seal Kit for 497329	67	56497560	1	Adapter
*	56498000	1	Seal Kit for 497787	68	56497542	1	Washer
31		4	1/2-13 x 2 Screw	69		1	1/2" Shakeproof Washer
32	56493045	1	Clevis	70	56497543	1	Cap
33	56497251	1	Brake Assembly				
34		4	5/16-18 x 3/4 Screw				
35	56497253	1	Adapter				

\* = Not Shown



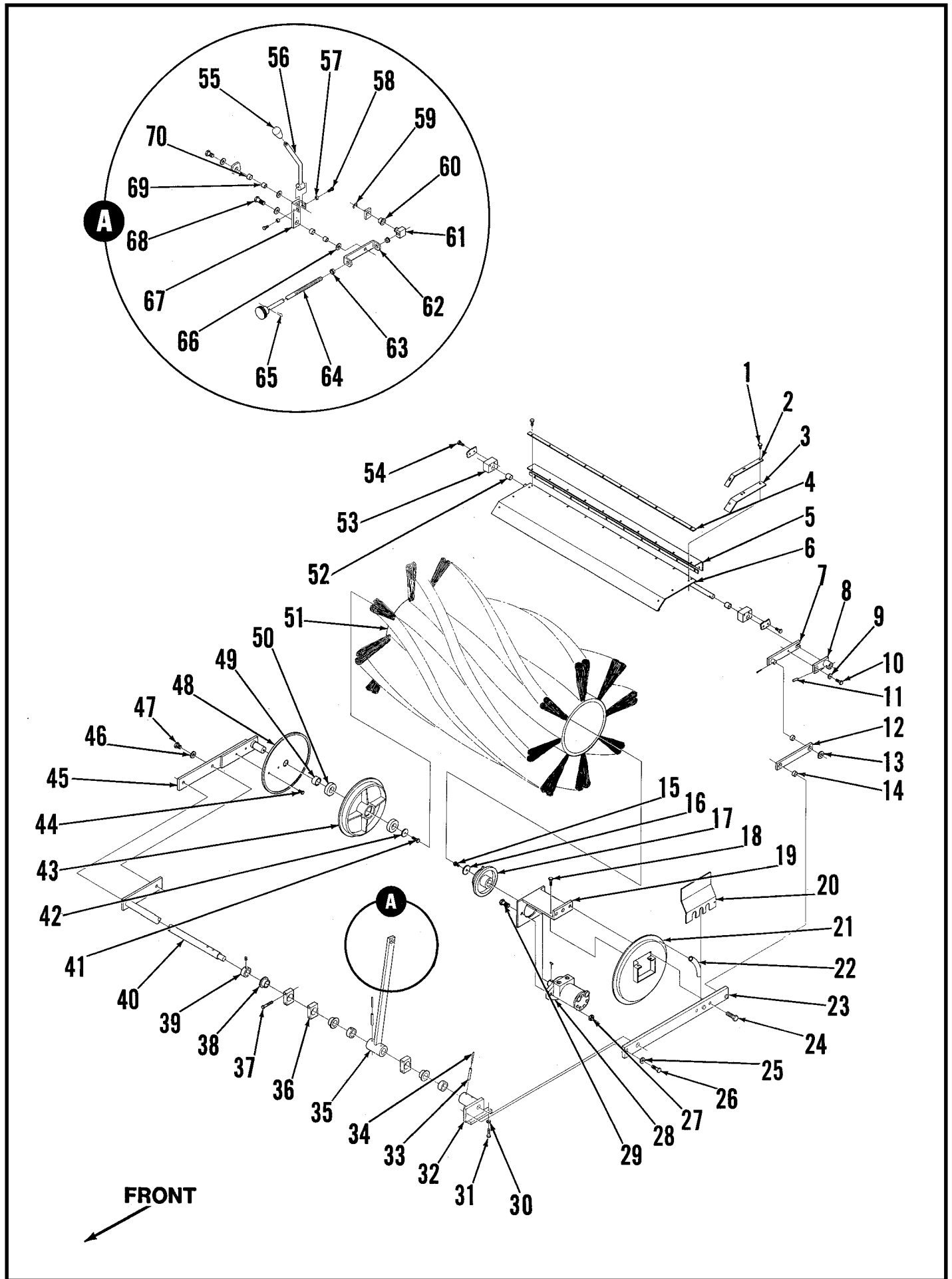
## REAR WHEEL ASSEMBLY

Item	Part No.	Qty	Description
1		4	3/8-16 x 1-1/4 Screw
2		4	3/8 Washer
3	56497232	2	Plate Assembly
4		2	3/16 x 1 Cotter Pin
5	56101265	2	Castle Nut
6	56101656	2	Washer
7	56477729	2	Spacer
8	56477724	4	Seal
9	56378267	4	Roller Bearing
*	56378259	4	Bearing Race
10	56448145	2	Tire
	56497233	2	Hub
11	56497231	1	Axle
12	56344362	2	Grease Fitting



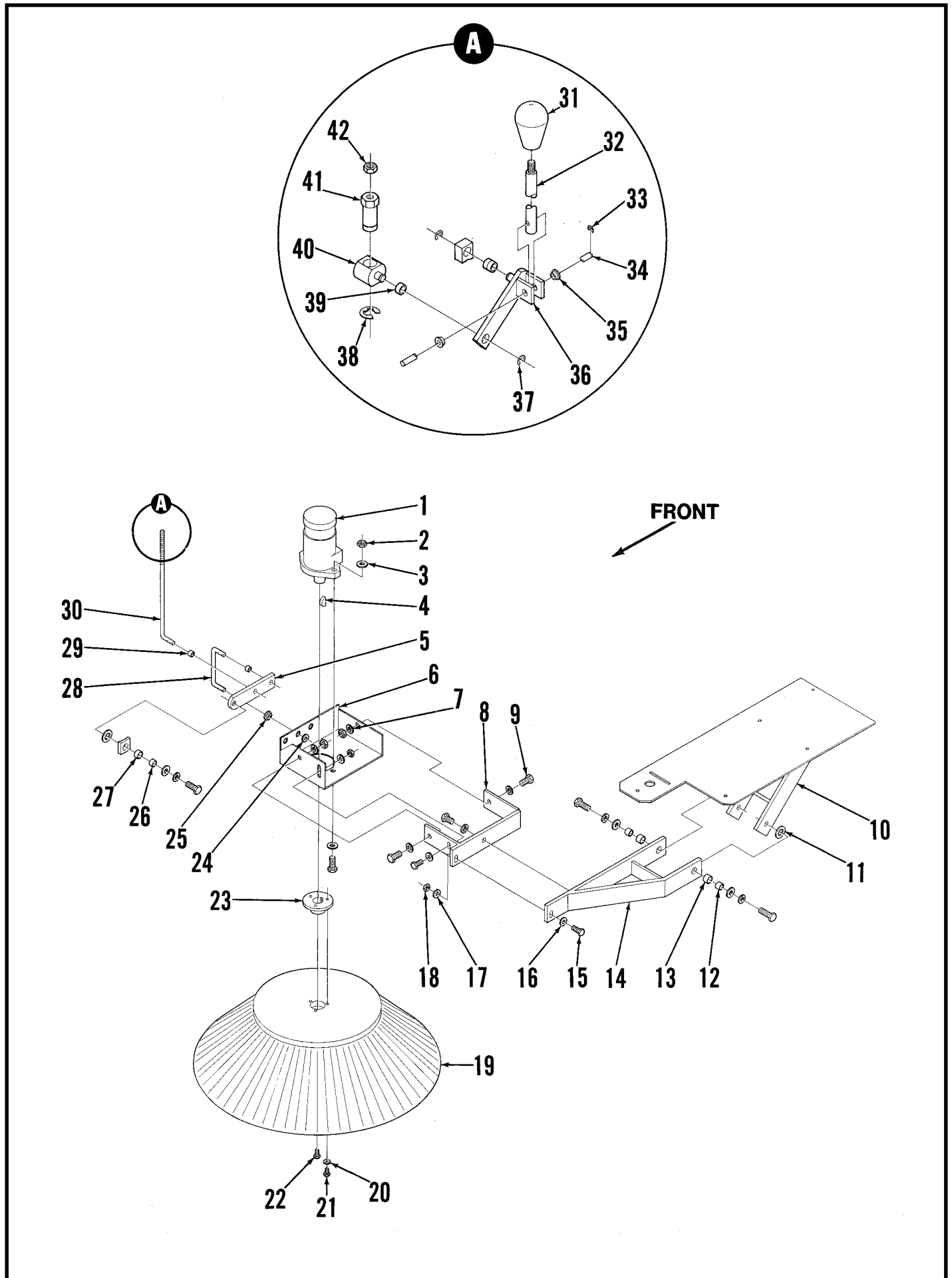
## BROOM HOUSING SKIRTS

Item	Part No.	Qty	Description
1	56497509	2	Strap
2		30	1/4-20 x 3/4 Screw
3	56497508	1	Outer Rear Skirt
4	56497526	1	Skirt Bracket
5	56497506	1	Inner Rear Skirt
6	56497413	1	Skirt Bracket
7	56497419	1	Strap
8		4	1/4-20 x 2-1/2 Screw
9		2	1/4-20 Nut
10	56497504	1	Outer Left Skirt
11	56497505	1	Inner Left Skirt
12		2	1/4-20 x 1 Screw
13		12	1/4-20 x 1-1/2 Screw
14	56497498	1	Strap
15	56497496	1	Front Skirt
16	56497499	1	Angle Weldment
17	56497497	1	Front Skirt
18		12	1/4-20 Nut
19	56497494	2	Front Strap
20	56497415	1	Skirt Bracket
21	56497504	1	Outer Right Skirt
22	56497419	1	Strap
23	56497482	1	Inner Right Skirt
24	56497424	1	Strap
25	56490110	1	Gasket
26	56497322	1	Seal
27	56497323	1	Seal Bracket
28	56514085	1	Hand Grip
29	56497489	1	Lever
30		1	3/16 x 1 Roll Pin
31	56171095	2	Flange Bearing
32	56497492	1	Lever
33	56492543	2	Clevis
34	56497444	1	Cable
35		2	#10-32 Nut
36	56493008	2	Pin
37		2	Cotter Pin



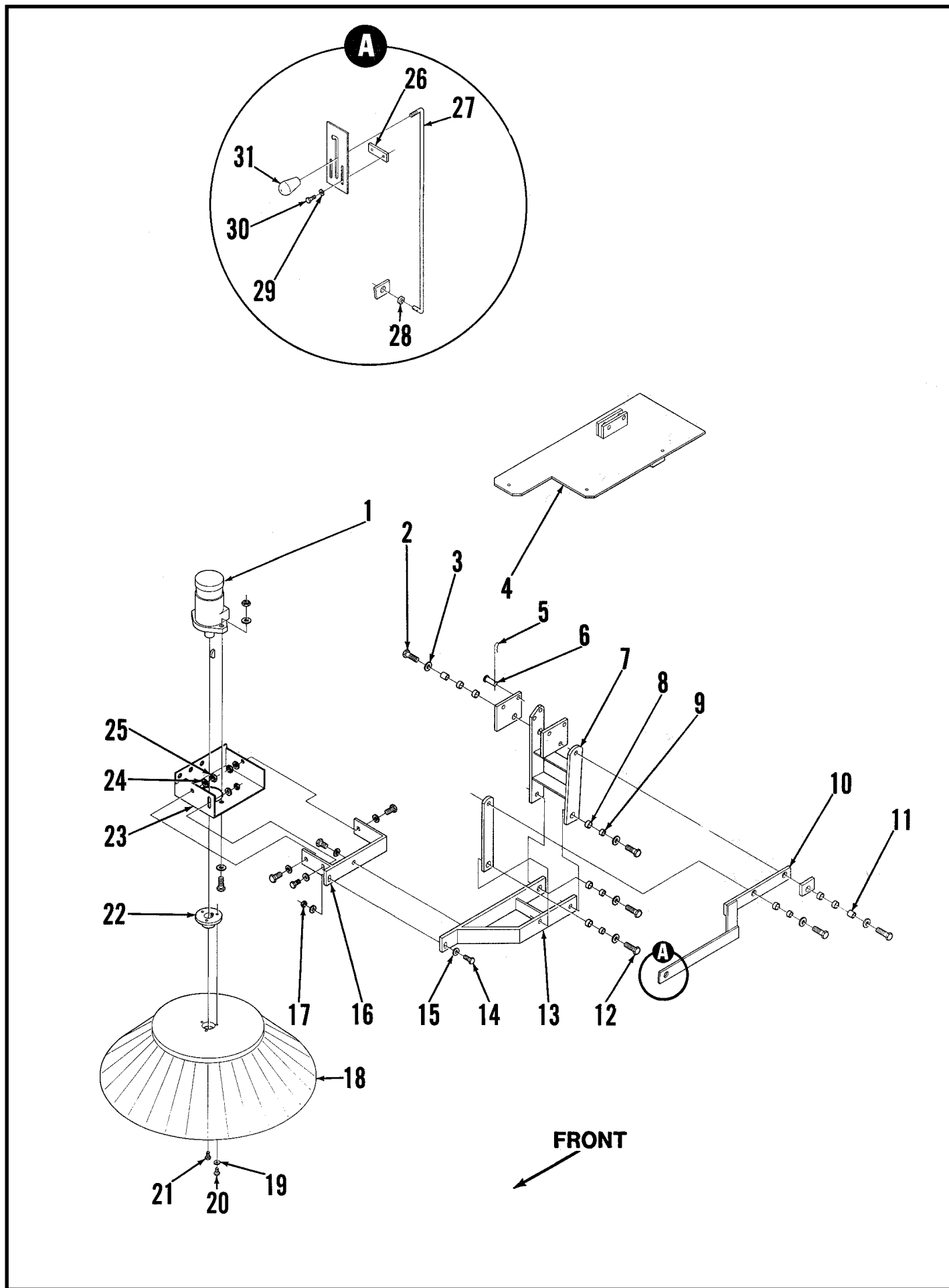
## MAIN BROOM ASSEMBLY

Item	Part No.	Qty	Description	Item	Part No.	Qty	Description
1		16	3/16-18 x 1/2 Screw	36	56497383	3	Block
2	56497403	2	Strap	37		6	5/16-18 x 1 Screw
3	56497402	2	Wrap Side Seal	38	56444944	3	Flange Bearing
4	56497401	2	Strap	39	56444820	3	Collar
5	56497400	1	Wrap Skirt			3	5/16-18 x 1/2 Set Screw
6	56497395	1	Wrap Weldment	40	56497380	1	Pivot Shaft
7	56497535	1	Arm	41		1	5/16-18 x 1 Screw
		1	1/8 x 1 Cotter Pin	42	56358959	1	Plated Washer
8	56497391	1	Wrap Adjuster	43	56477760	1	Idler Hub
9		1	5/16 Flat Washer	44		2	1/4-20 x 1/2 Screw
10		1	5/16-18 x 5/8 Screw	45	56497385	1	Arm
11		1	1/4 x 1 Roll Pin	46		1	1/2 Flat Washer
12	56497389	1	Wrap Link	47		1	1/2-13 x 3/4 Screw
13		2	5/8 Flat Washer	48	56497439	1	String Guard
14	56370878	2	Sleeve Bearing	49	56497434	1	Bushing
15		1	1/4-20 x 3/4 Screw	50	56497430	2	Roller Bearing
16		1	1/4 Flat Washer	51	56505044	1	Main Broom
17	56477762	1	Hub Driver		56477736	2	Broom Insert
18		2	1/4-20 x 3/4 Screw	52	56367168	2	Bushing
19	56497362	1	Motor Mount	53	56497394	2	Wrap Pivot Block
20	56497236	1	Bracket	54		4	1/4-20 x 1 Screw
21	56497366	1	String Guard	55	56364527	1	Knob
22	56483549	1	Gasket	56	56497411	1	Handle
23	56497371	1	Arm	57	56320595	2	Bushing
24		2	1/2-13 x 1 Screw	58		2	5/16-18 x 1/2 Screw
25		1	7/16 Flat Washer	59		1	Retaining Ring
26		1	7/16-20 x 3/4 Screw	60	56171095	1	Flange Bearing
27		2	1/2-13 Nut	61	56497404	1	Swivel
28	56497525	1	Main Broom Motor	62	56497408	1	Swivel
	56503062	1	Seal Kit for 497525	63	56185264	2	Flange Bearing
		1	1 x 1/4 Woodruff Key	64	56497405	1	Adjuster Rod
29		2	1/2-13 x 1-1/2 Screw	65		1	Pin
30		2	3/8-16 Nut	66		4	1/2 Flat Washer
31		2	3/8-16 x 2 Screw	67	56497409	1	Lever Weldment
32	56497373	1	Adjuster Weldment	68		2	1/2-13 x 3/4 Screw
33		4	5/16 x 1-1/2 Roll Pin	69	56367206	2	Bushing
34		4	3/32 x 1-1/2 Roll Pin	70	56367168	2	Sleeve Bearing
35	56497377	1	Lift Arm				



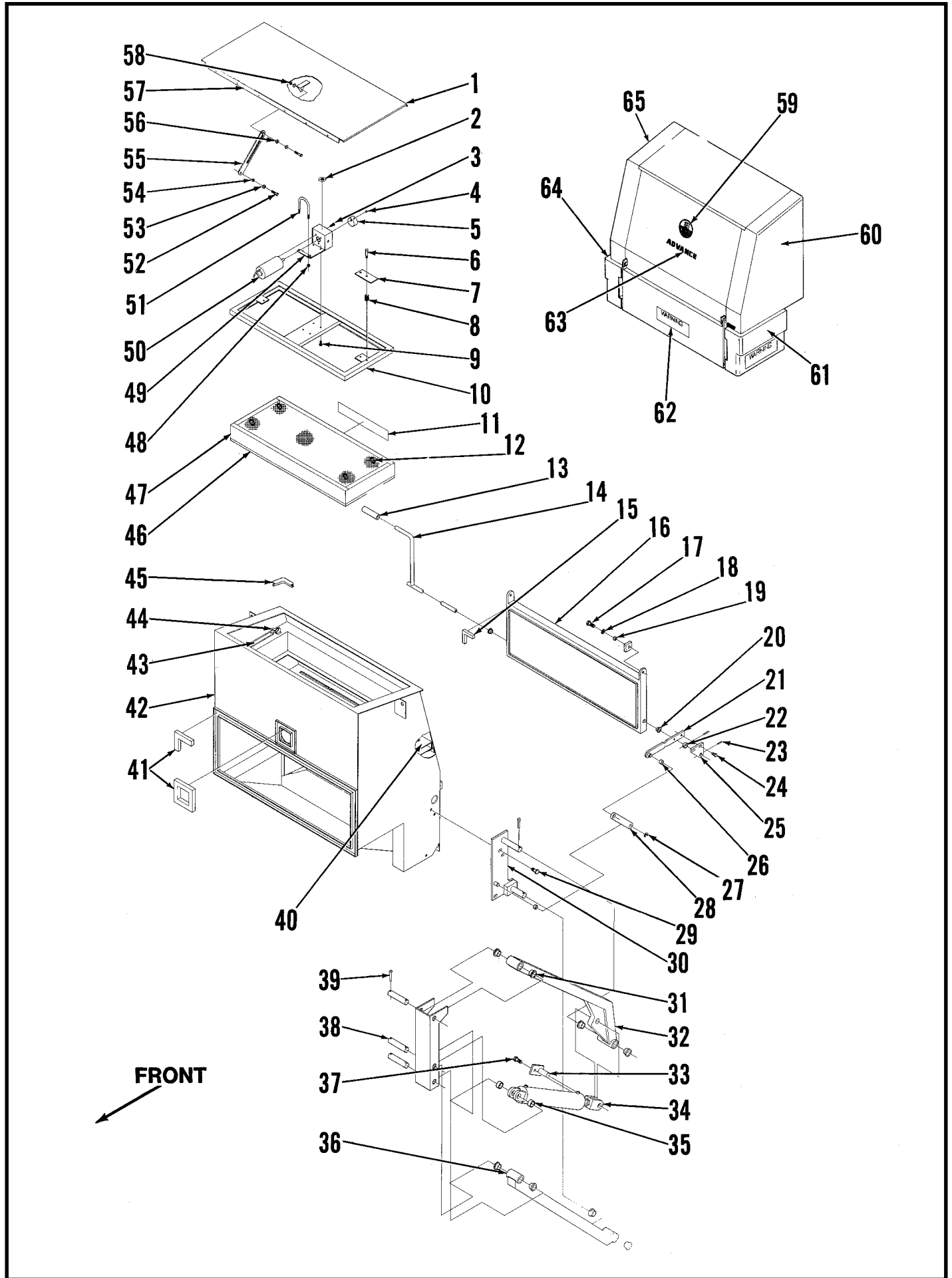
## FIXED SIDE BROOM ASSEMBLY

Item	Part No.	Qty	Description
	56497430	1	Fixed Side Broom Assembly
1	56479609	1	Side Broom Motor
	56479575	1	Seal Kit for 479609
2		4	1/2-13 Nut
3		9	1/2 Flat Washer
4		1	1 x 1/4 Woodruff Key
5	56497561	1	Link
6	56479945	1	Bracket
7		6	1/2 Lock Washer
8	56479903	1	Bracket
9		8	1/2-13 x 1-1/2 Screw
10	56497324	1	Side Broom Weldment
11		3	3/4 Washer
12	56367206	2	Bushing
13	56367168	2	Bushing
14	56497431	1	Bracket
15		2	3/8-16 x 1-1/2 Screw
16		2	3/8 Flat Washer
17		2	3/8 Lock Washer
18		2	3/8-16 Nut
19	56477812	1	Side Broom
20		3	5/16 Flat Washer
21		3	5/16-18 x 1-1/2 Screw
22		1	1/4-20 x 1 Screw
23	56479948	1	Hub
24		1	3/8 Flat Washer
25	56497437	1	Step Bushing
26	56360627	1	Bushing
27	56370878	1	Bushing
28	56497562	1	Linkage
29	56370754	2	Bushing
30	56497436	1	Rod
31	56364527	1	Knob
32	56497429	1	Lever
33		2	Retaining Ring
34	56469298	1	Pin
35	56756318	2	Flange Bushing
36	56497440	1	Lever
37	56373797	2	Retaining Ring
38	56478775	1	Retaining Ring
39	56368970	3	Bushing
40	56497438	1	Swivel
41	56497439	1	Nut



## MOVEABLE SIDE BROOM ASSEMBLY

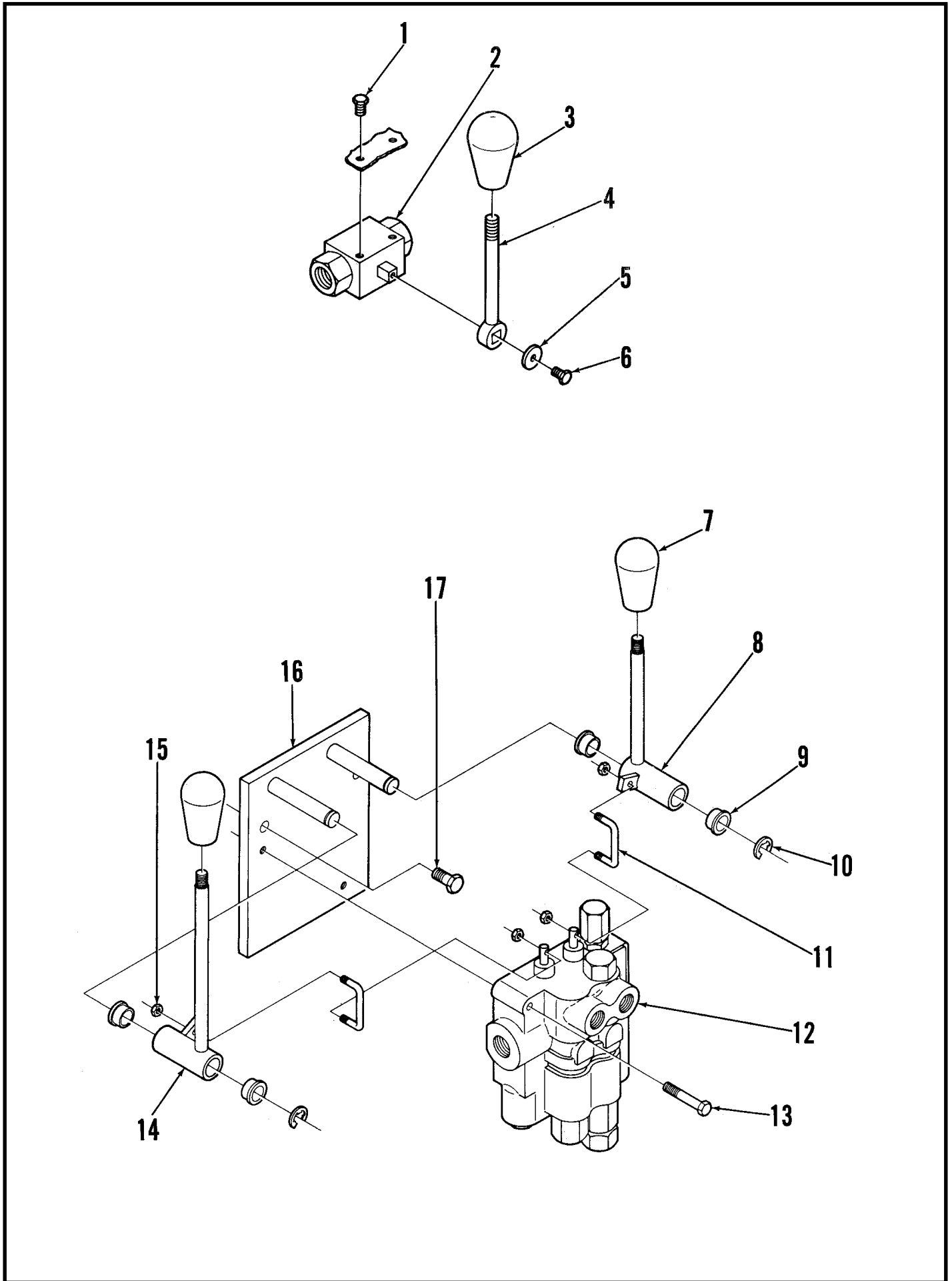
Item	Part No.	Qty	Description
	56497591	1	Moveable Side Broom Assembly
1	56479609	1	Side Broom Motor
	56479575	1	Seal Kit for 479609
		1	1 x 1/4 Woodruff Key
2		2	1/2-13 x 1-1/2 Screw
3		12	1/2 Flat Washer
4	56497616	1	Mount Plate
5	56321406	1	Hair Pin
6	56486733	1	Pin
7	56497594	1	Pivot Weldment
8	56370878	8	Bushing
9	56360627	4	Bushing
10	56497114	1	Lift Arm
11	56367486	2	Bushing
12		9	1/2-13 x 1 Screw
13	56497592	1	Bracket
14		2	3/8-16 x 1-1/2 Screw
15		2	3/8 Flat Washer
16	56479903	1	Bracket
17		2	3/8-16 Whiz Nut
18	56477812	1	Broom
19		3	5/16 Flat Washer
20		3	5/16-18 x 1-1/4 Screw
21		1	1/4-20 x 1 Screw
22	56479948	1	Hub
23	56479945	1	Bracket
24		3	1/2 Lock Washer
25		4	1/2-13 Nut
26	56497118	1	Plate
27	56497599	1	Lift Rod
28	56368970	1	Bearing
29		2	1/4 Flat Washer
30		2	1/4-20 x 1/2 Screw
31	56364527	1	Knob



# HOPPER ASSEMBLY

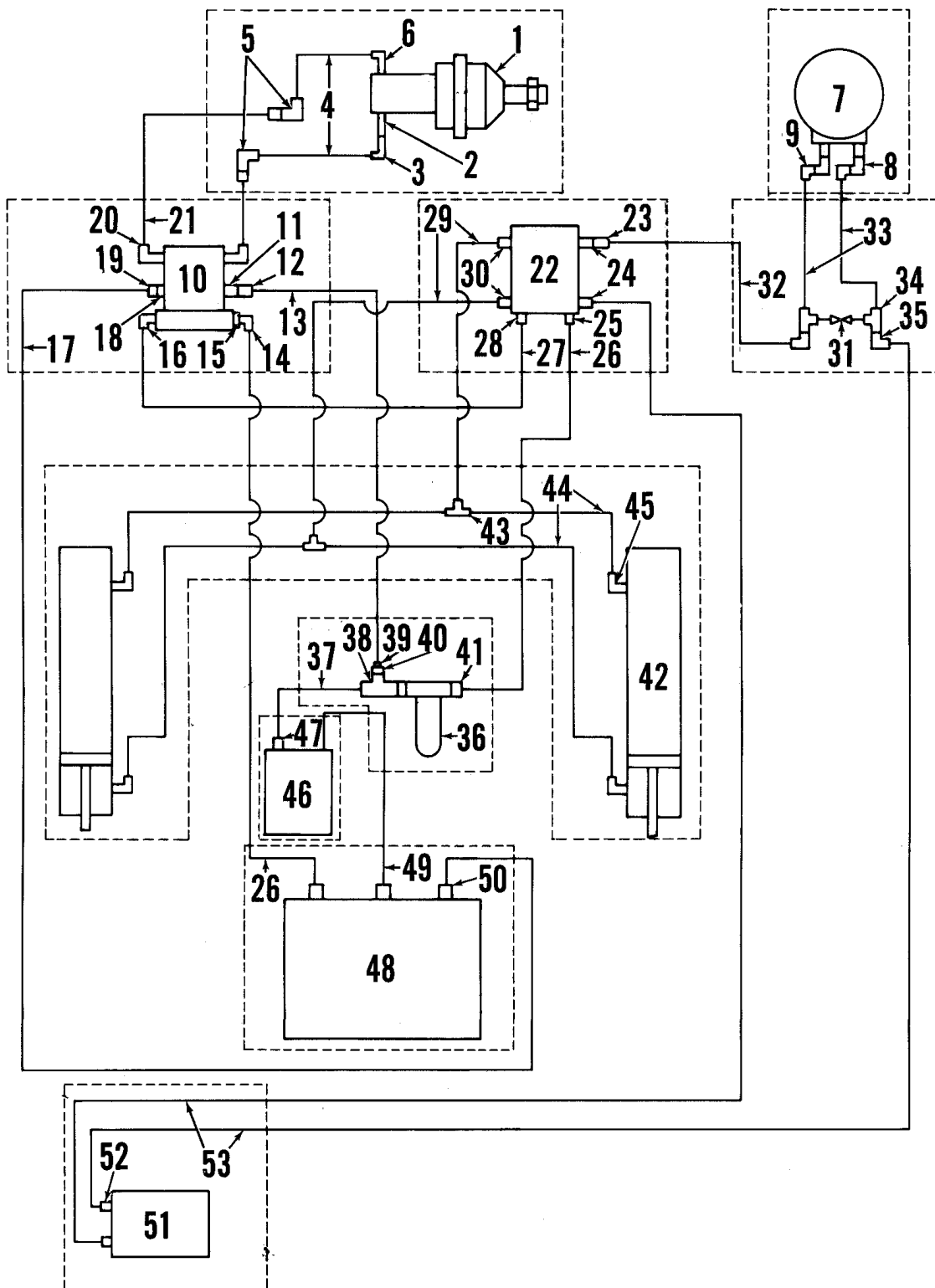
Item	Part No.	Qty	Description	Item	Part No.	Qty	Description
1	56497201	1	Door Weldment	36	56497209	2	Lower Arm
2		1	Decal, Hands Clear	37		2	3/8-24 x 3/4 Screw
3		3	#10-32 x 3/4 Screw	38	56497220	6	Pin
4		2	#10-24 x 1/2 Set Screw	39		16	1/8 x 1-1/2 Cotter Pin
5	56491822	1	Eccentric	40	56497205	1	Screen Weldment
6	56491872	4	Shoulder Bolt	41	56490110	1	Gasket
7	56489109	2	Bracket	42	56497120	1	Hopper Weldment
8	56171177	2	Spring	43	56491848	2	Lever
9		4	1/4-20 x 3/4 Screw		56491826	2	Pin
10	56494381	1	Hold Down		56321125	4	Retaining Ring
	56497204	1	Hold Down Assembly	44	56491860	2	Hold Down
11	56023320	1	Decal, Filter			8	#8-32 Screw HP-5
12	56478246	4	Cable Tie	45	56483549	1	Gasket (9 Feet)
13	56497197	1	Grip	46	56494485	1	Gasket
14	56497182	1	Lever	47	56494479	1	Filter W/Gasket
15	56449227	1	Gasket (9 Feet)	48		2	5/16-18 Nut
16	56497184	1	Dump Door	49	56468331	1	Motor Mount
17		2	1/2-13 x 1 Screw	50	56491820	1	Shaker Motor
18		2	1/2 Flat Washer	*	56491823	1	Carbon Brush Kit (for 491820)
19	56360627	2	Bushing		56497422	1	Shaker Motor Wire Assembly
20	56171095	2	Bearing		56323092	1	Strain Relief
21	56497192	2	Link	51	56468329	1	U-Bolt
22		1	Collar	52		2	1/4-20 x 3/4 Screw
23		2	3/16 x 1 Pin	53		4	1/4 Flat Washer
24		4	5/16-18 x 3/4 Screw	54	56206784	1	Bushing
25	56497196	2	Plate	55	56449262	1	Latch
26	56370878	6	Bushing	56	56384708	1	Step Bushing
27	56478775	4	Retaining Ring	57	56761068	1	Hinge
28	56497195	2	Link	58		2	1/4-20 Lock Nut
29		6	1/2-13 x 1-1/4 Screw	59	56014322	1	Decal, Logo
30	56497224	1	Left Plate	60	56497470	1	Right Hopper Side Panel
*	56497225	1	Right Plate	61	56497457	1	Right Brace
31	56444944	16	Bushing	62	56025100	3	Decal, Warning
32	56497214	1	Upper Left Arm	63	56016543	1	Decal, Advance
*	56497215	1	Right Arm	64	56497456	1	Left Brace
	56344362	8	Grease Fitting	65	56497469	1	Left Hopper Side Panel
33	56497221	2	Cylinder Pin				
34	56479646	2	Cylinder				
35	56378372	4	Bushing				

\* = Not Shown



## HYDRAULIC CONTROL VALVES

Item	Part No.	Qty	Description
1		2	1/4-20 x 3/8 Screw
2	56496273	1	Valve
3	56492792	1	Knob
4	56493228	1	Lever
5	56151807	1	Washer
6		1	#10-32 x 3/4 Screw
7	56364527	2	Knob
8	56497347	1	Collar
9	56185264	4	Flange Bushing
10	56468834	2	Retaining Ring
11	56477988	2	Linkage
12	56497524	1	Valve
13		2	1/4-20 x 1-3/4 Screw
14	56497351	1	Collar Weldment
15		4	#10-24 Nut
16	56497353	1	Plate Weldment
17		2	5/16-18 x 3/4 Screw



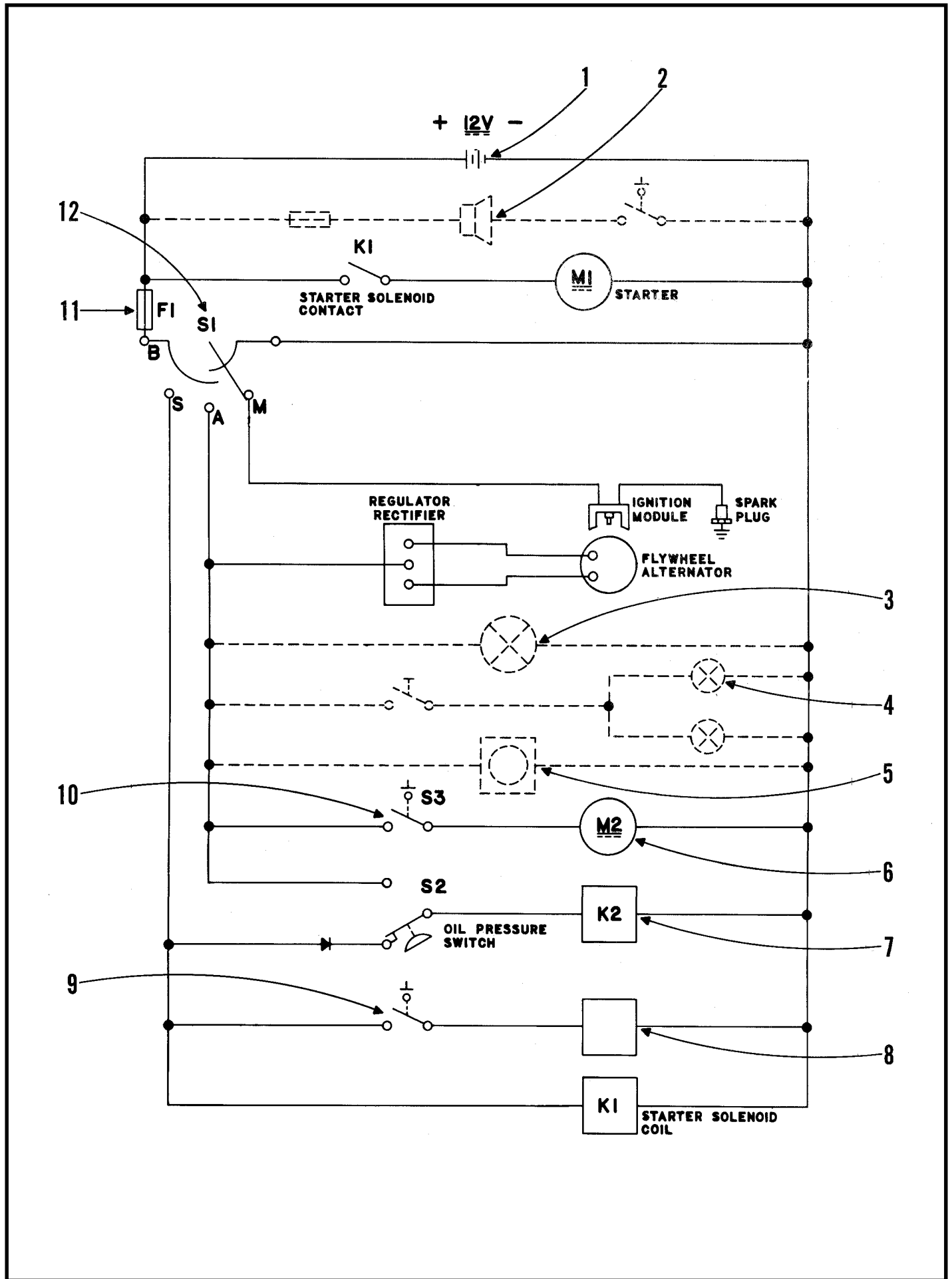
## HYDRAULIC DIAGRAM

Item	Part No.	Qty	Description	Item	Part No.	Qty	Description
1	56497329	1	Wheel Motor	27	56497344	1	Hose Assembly
2	56900055	1	Connector	28	56900004	1	Connector
3	56900305	1	Elbow	29	56488745	2	Hose
4	56497330	2	Hose	30	56900110	2	Elbow
5	56900306	2	Elbow	31	56496273	1	Valve
	56900406	2	Elbow	32	56496216	1	Hose
6	56900525	1	Elbow	33	56479593	2	Hose Assembly
7	56479609	1	Side Broom Motor	34	56900204	2	Tee
8	56900114	2	Elbow	35	56900304	2	Elbow
9	56900304	2	Elbow	36	56497332	1	Filter, Oil
10	56496241	1	Pump	*	56496209	1	Filter Element
11	56900303	1	Elbow	*	56496001	1	Filter Head Assy.
12	56900112	1	Elbow	37	56456911	1	Hose
13	56497327	1	Hose	38	56900206	1	Tee
14	56900306	1	Elbow	39	56900468	1	Bushing
15	56900018	1	Connector	40	56900506	1	Nut
16	56900114	1	Elbow	41	56900006	1	Connector
17	56457284	1	Hose Assembly	42	56479646	2	Hydraulic Cylinder
18	56900020	1	Connector	43	56900441	2	Tee
19	56900304	1	Elbow	44	56488750	4	Hose Assembly
20	56900106	2	Elbow	45	56900101	4	Elbow
21	56456943	2	Hose Assembly	46	56457282	1	Cooler
22	56497524	1	Control Valve	47	56900326	1	Elbow
23	56900304	1	Elbow	48	56497336	1	Reservoir
24	56900020	2	Connector	49	56457284	1	Hose Assembly
25	56900104	1	Elbow	50	56900106	3	Elbow
26	56497345	1	Hose	51	56497525	1	Main Broom Motor
				52	56900004	2	Connector
				53	56497564	2	Hose



**WIRING DIAGRAM - GAS**

Item	Part No.	Qty	Description
1	56441511	1	Battery
2	56497024	1	Horn Kit (Optional)
	56441555	1	Switch
	56900229	1	10A Fuse
3	56497026	1	Beacon Kit (Optional)
4	56497022	1	Headlight Kit (Optional)
5	56497021	1	Hour Meter Kit (Optional)
6	56491820	1	Shaker Motor
7	56441555	1	Shaker Motor Switch
8	56900224	1	20A Fuse
9	56470793	1	Ignition Switch



**WIRING DIAGRAM - LP**

Item	Part No.	Qty	Description
1	56441511	1	Battery
2	56497024	1	Horn Kit (Optional)
	56441555	1	Switch
	56900229	1	10A Fuse
3	56497027	1	Beacon Kit (Optional)
4	56497022	1	Headlight Kit (Optional)
5	56497021	1	Hour Meter Kit (Optional)
6	56491820	1	Shaker Motor
7	56403582	1	Fuel Solenoid Valve
8	56470101	1	Regulator
9	56403602	1	Primer Switch
10	56441555	1	Shaker Motor Switch
11	56900224	1	20A Fuse
12	56470793	1	Ignition Switch

**ACCESSORIES AND OPTIONS**

<b>Part No.</b>	<b>Qty</b>	<b>Description</b>
56497031	1	Dual Element Air Filter Kit
56497024	1	Horn Kit
56497022	1	Headlight Kit
56497026	1	Beacon Kit
56497021	1	Hour Meter Kit
56505046	1	Main Broom, 16 Row Polycorn & Polypropylene
56505047	1	Main Broom, 16 Row Polypropylene



Nilfisk-Advance, Inc.  
14600 21st Avenue North  
Plymouth, MN, 55447-3408  
[www.nilfisk-advance.com](http://www.nilfisk-advance.com)  
Phone: 800-989-2235  
Fax: 800-989-6566  
©2000 Nilfisk-Advance, Inc.,  
Plymouth, MN 55447-3408  
Printed in the U.S.A.