



Electronic Service Manuals

This electronic document is provided as a service to our customers. We do not create the contents of the information contained in this document. Should you have detailed questions pertaining to the information contained in this document, you may contact Michco, or the manufacturer which provided the original information in this electronic deliverable. Michco's only part in this electronic deliverable was the electronic assembly process.

You may contact Michco through the following methods:
Phone (517) 484-9312 or (800) 331-3339 MI, OH, IN only
2011 N. High St. -- Lansing, Michigan -- 48906
Fax: (517) 484-9836
Email: CustServ@Michco.com
Web site: www.Michco.Com
Parts Web site: www.FloorMachineParts.Com

Order Parts on Line at:
www.FloorMachineParts.Com

Directly to Parts & Service:
By Email: **Shop@Michco.com**
By Fax: (517) 702-2041
By Voice: Use numbers above.

Serving the Cleaning Industry Since 1922

Notice: All copyrighted material remains property of original owners, all trademarks are property of respective owners. Manuals are subject to Manufacturer's reproduction limitations. Originals or reproductions were provided by manufacturers through a request. We make no warranty as to the correctness of information provided in this document and you assume all risk.

Retriever™ 3600B



PARTS LIST **Advance MODEL 56470200(obsolete)**

This parts list is for machines after serial number 794312



10/80 revised 11/00 Form Number 56042044

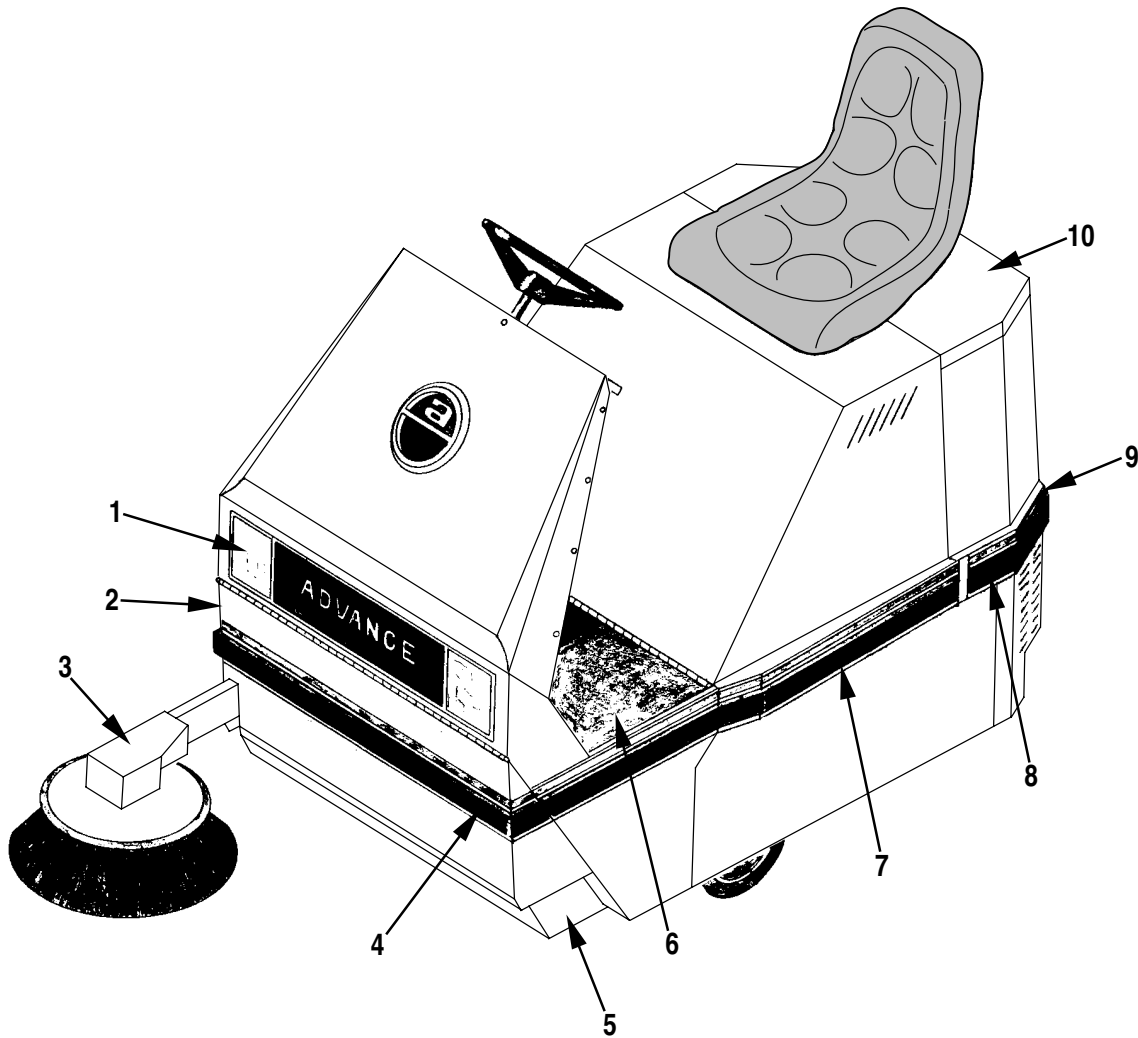
TABLE OF CONTENTS

| <u>DESCRIPTION</u> | <u>PAGE</u> |
|--|-------------|
| Housing Assembly | 2 |
| Filter & Shaker Assembly (before 05/03/85) | 3-4 |
| Controls Assembly | 5-6 |
| Wheel Drive Assembly | 7-8 |
| Hopper & Side Broom | 9-10 |
| Main Broom Assembly | 11-12 |
| Electrical Schematic | 13-14 |
| Chassis Assembly | 15-16 |
| Filter Box Assembly (after 05/03/85) | 17-18 |

WHEN ORDERING PARTS

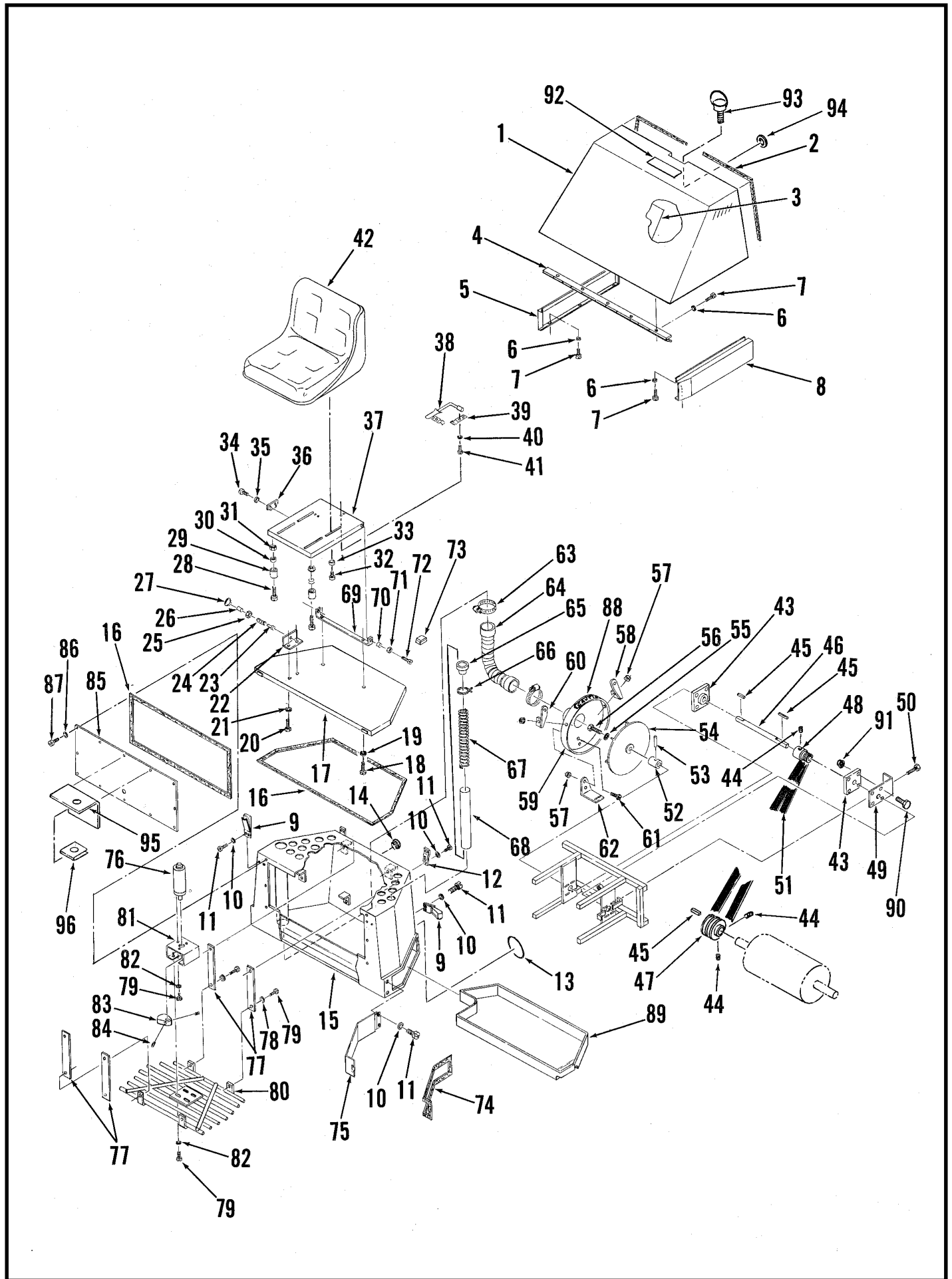
- * Use the 8 digit numbers from the "Ref. No." columns in this parts list.
- * Specify the model and serial number of the machine.
- * Use the space below to record the model and serial number for future reference.

Model _____ Serial No. _____



HOUSING ASSEMBLY

| Item | Ref. No. | Qty | Description |
|------|----------|-----|------------------------------------|
| 1 | 56025020 | 1 | Decal, Grill |
| 2 | 56468997 | 1 | Strap |
| | 56468998 | 1 | Bumper |
| 3 | 56468251 | 1 | Side Broom Assembly TSB 455 |
| 4 | 56468991 | 1 | Strap |
| | 56468992 | 1 | Bumper |
| 5 | 56468600 | 1 | Hopper Assembly |
| 6 | 56469790 | 1 | Chassis |
| 7 | 56468993 | 1 | Strap |
| | 56468994 | 1 | Bumper |
| 8 | 56468995 | 1 | Strap |
| | 56468996 | 1 | Bumper |
| 9 | 56025224 | 5 | Decal, Stripe |
| 10 | 56469850 | 1 | Filter Box Assembly |

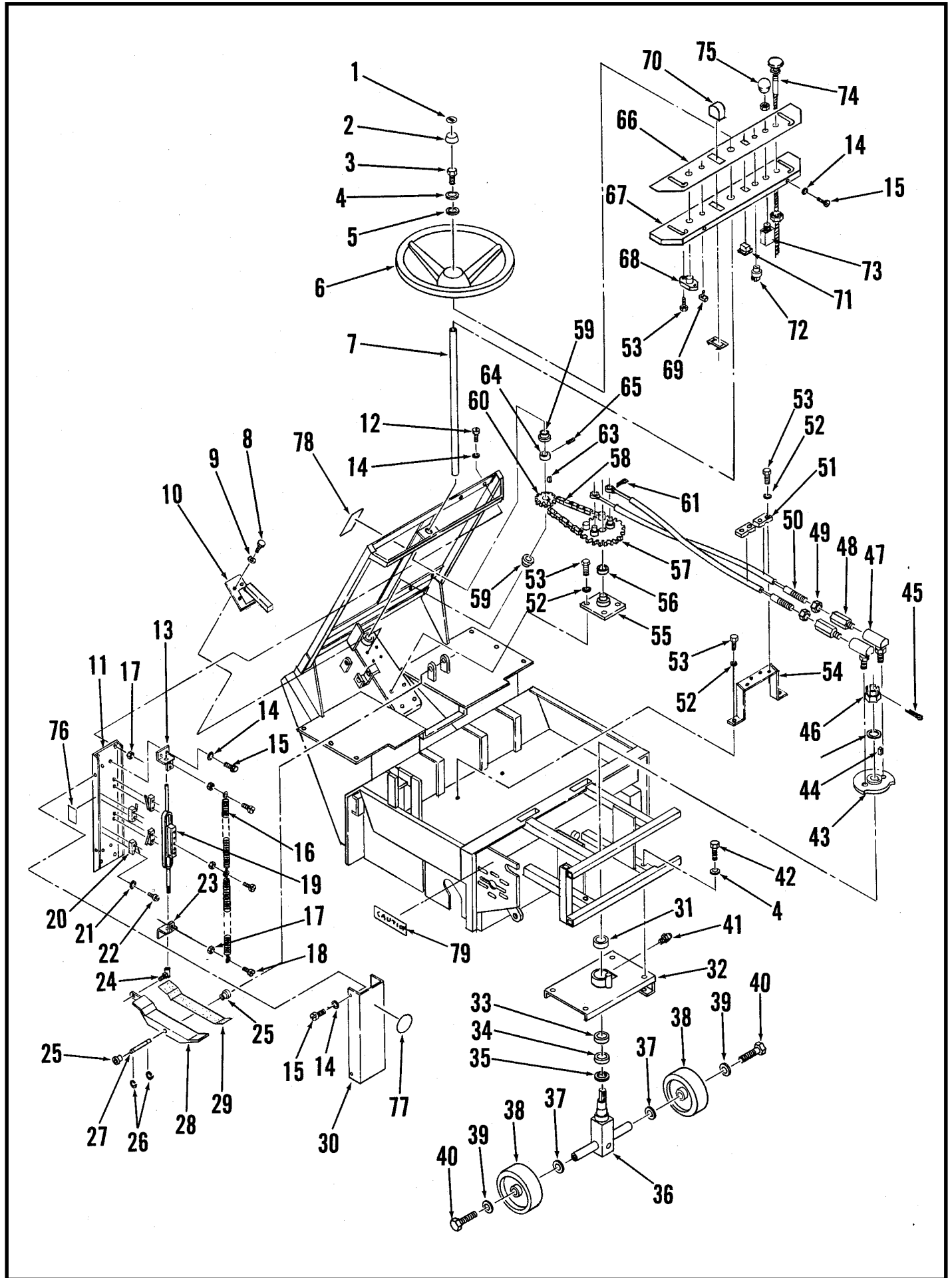


FILTER AND SHAKER ASSEMBLY (before 05/03/85)

| Item | Ref. No. | Qty | Description | Item | Ref. No. | Qty | Description |
|------|----------|-----|-------------------------|------|----------|-----|---------------------------------|
| 1 | 56472038 | 1 | Hood Weldment | 53 | 56469054 | 1 | Pin, Spring |
| 2 | 56472083 | 1 | Gasket | 54 | 56478668 | 1 | Impeller |
| 3 | 56025125 | 1 | Decal, Wiring | 55 | 56152731 | 1 | Washer |
| 4 | 56468948 | 1 | Hinge | 56 | | 1 | Screw, 5/16-18 x 3/4 |
| 5 | 56468946 | 1 | Panel | 57 | | 4 | Nut, 1/4-20 |
| 6 | | 19 | Washer, Lock #10 | 58 | 56469328 | 1 | Mount, Right Weldment |
| 7 | | 19 | Screw, #10-24 x 1/2 | 59 | 56469346 | 1 | Shroud, Impeller |
| 8 | 56468944 | 1 | Panel | 60 | 56469330 | 1 | Mount, Left Weldment |
| 9 | 56471194 | 3 | Latch Assembly | 61 | | 4 | Screw, 1/4-20 x 1/2 |
| 10 | | 14 | Washer, Lock #8 | 62 | 56469338 | 1 | Mount, Shroud |
| 11 | | 14 | Screw, #8-32 x 3/8 | 61 | 56352829 | 2 | Clamp, Hose |
| 12 | 56468762 | 2 | Plate | 64 | 56469370 | 1 | Hose Flex |
| 13 | 56024775 | 1 | Decal, Retriever | | 56471122 | 51 | Filter Tube Assy (#65-68) |
| 14 | 56745541 | 1 | Plug Button | 65 | 56471098 | 1 | Grommet |
| 15 | 56469838 | 1 | Filter Housing | 66 | 56471089 | 1 | Wire Tie |
| 16 | 56200754 | 2 | Gasket | 67 | 56471095 | 1 | Spring |
| 17 | 56469830 | 1 | Cover | 68 | 56471154 | 1 | Filter Tube |
| 18 | | 2 | Screw, 5/16-20 x 3/8 | 69 | 56468757 | 1 | Bracket |
| 19 | | 2 | Washer, Lock 5/16 | 70 | 56206784 | 2 | Bushing |
| 20 | | 2 | Screw, 1/4-20 x 1/2 | 71 | | 2 | Washer, Lock |
| 21 | | 2 | Washer, Lock | 72 | | 2 | Screw, 1/4-20 x 3/4 |
| 22 | 56468770 | 1 | Bracket | 73 | 56382566 | 1 | Bumper |
| | 56578214 | 1 | Lock Assembly C/O | 74 | 56200778 | 1 | Gasket |
| 23 | 56578226 | 1 | Pin | 75 | 56468730 | 1 | Door |
| 24 | 56578222 | 1 | Spring | 76 | 56469558 | 1 | Motor, 24VDC |
| 25 | 56578218 | 1 | Nut | * | 56470435 | 1 | Carbon Brush Kit (for 56469558) |
| 26 | 56578216 | 1 | Socket | 77 | 56469814 | 4 | Hanger |
| 27 | 56362778 | 1 | Knob | 78 | 56203874 | 8 | Washer |
| 28 | | 2 | Screw, 1/4-20 x 1-1/4 | 79 | | 12 | Screw, #10-24 x 3/8 |
| 29 | 56330708 | 2 | Bumper | 80 | 56469820 | 1 | Shaker Weldment |
| 30 | | 2 | Washer, Flat 1/4 | 81 | 56469812 | 1 | Mount, Motor |
| 31 | | 2 | Nut, Hex 1/4-20 | 82 | | 8 | Washer, Shakeproof #10 |
| 32 | | 4 | Screw, 3/8-16 x 1/2 | 83 | 56469822 | 1 | Eccentric |
| 33 | | 4 | Washer, Lock | 84 | | 2 | Set Screw #10-24 x 1/4 |
| 34 | | 16 | Screw, 1/4-20 x 1/2 | 85 | 56469852 | 1 | Cover, Filter Box |
| 35 | | 16 | Washer, Lock 1/4-20 | 86 | | 20 | Washer, Shakeproof #8 |
| 36 | 56468776 | 1 | Plate | 87 | | 20 | Screw, #8-32 x 1/2 |
| 37 | 56468750 | 1 | Plate | 88 | 56030080 | 1 | Decal, Caution |
| 38 | 56471362 | 1 | Tool | 89 | 56469816 | 1 | Tray |
| 39 | 56477620 | 2 | Clamp, Tool | 90 | | 8 | Screw, 3/8-16 x 1-1/4 |
| 40 | | 14 | Washer, Lock | 91 | | 8 | Nut, 3/8-16 |
| 41 | | 4 | Screw, #10-24 x 3/8 | 92 | 56025066 | 1 | Decal, Caution - Hood Open |
| 42 | 56448080 | 1 | Seat | 93 | 56448104 | 1 | Screw, Fastener |
| 43 | 56469242 | 2 | Bearing, Flanged | 94 | 56448108 | 1 | Washer, Retaining |
| 44 | | 4 | Set Screw 5/16-18 x 1/4 | 95 | 56469231 | 1 | Bracket |
| 45 | 56740168 | 3 | Key | 96 | 56468960 | 1 | Receptical, Screw |
| 46 | 56463322 | 1 | Shaft, Impeller | | | | |
| 47 | 56469254 | 1 | Sheave | | | | |
| 48 | 56756061 | 1 | Sheave | | | | |
| 49 | 56469336 | 1 | Bracket, Adjusting | | | | |
| 50 | | 1 | Screw, 5/16-18 x 1-3/4 | | | | |
| 51 | 56469236 | 1 | Belt | | | | |
| 52 | 56469393 | 1 | Spacer | | | | |

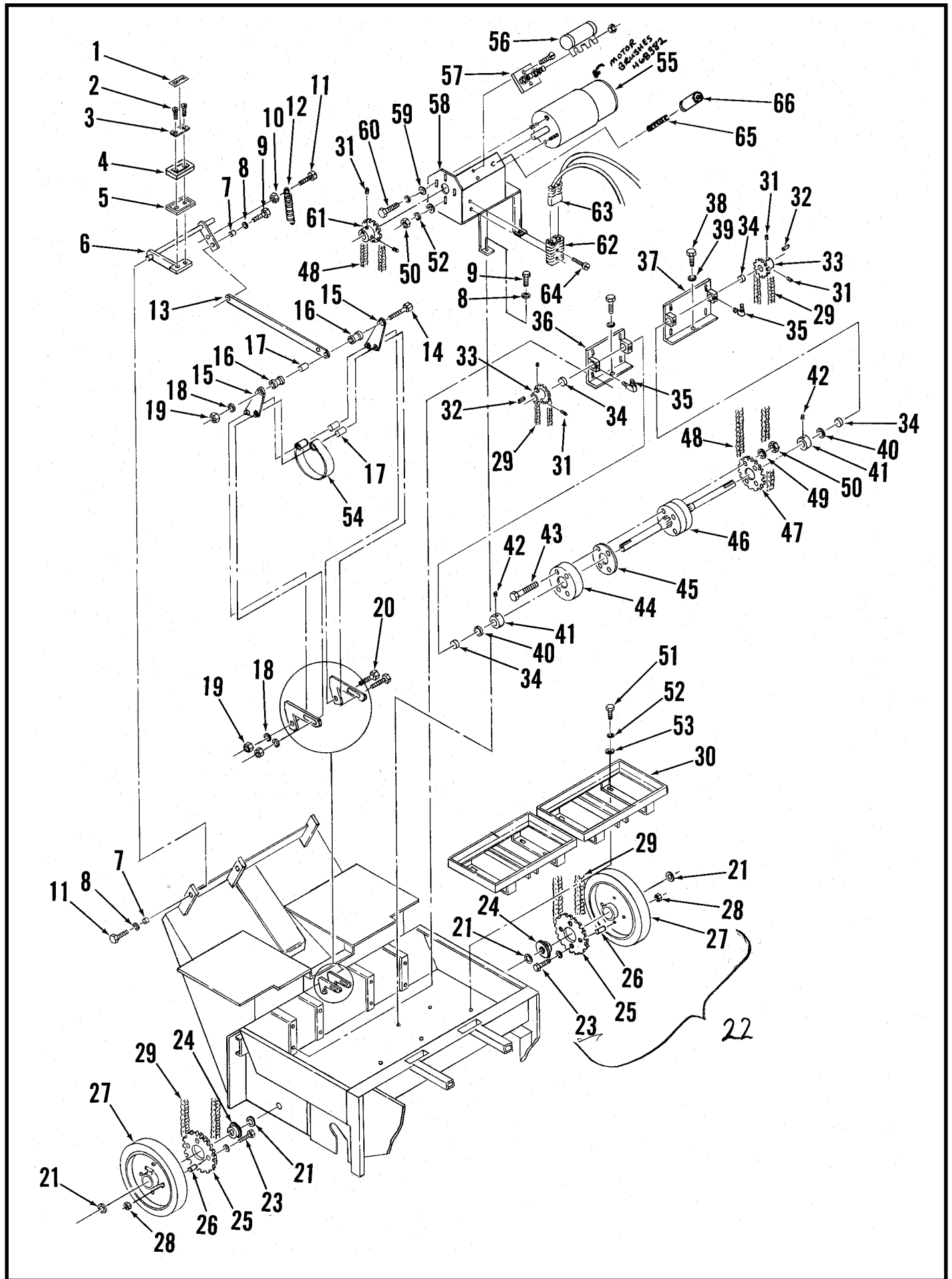
* = Not Shown

Note: Refer to pages 16 & 17 for machines built after 05/03/85.



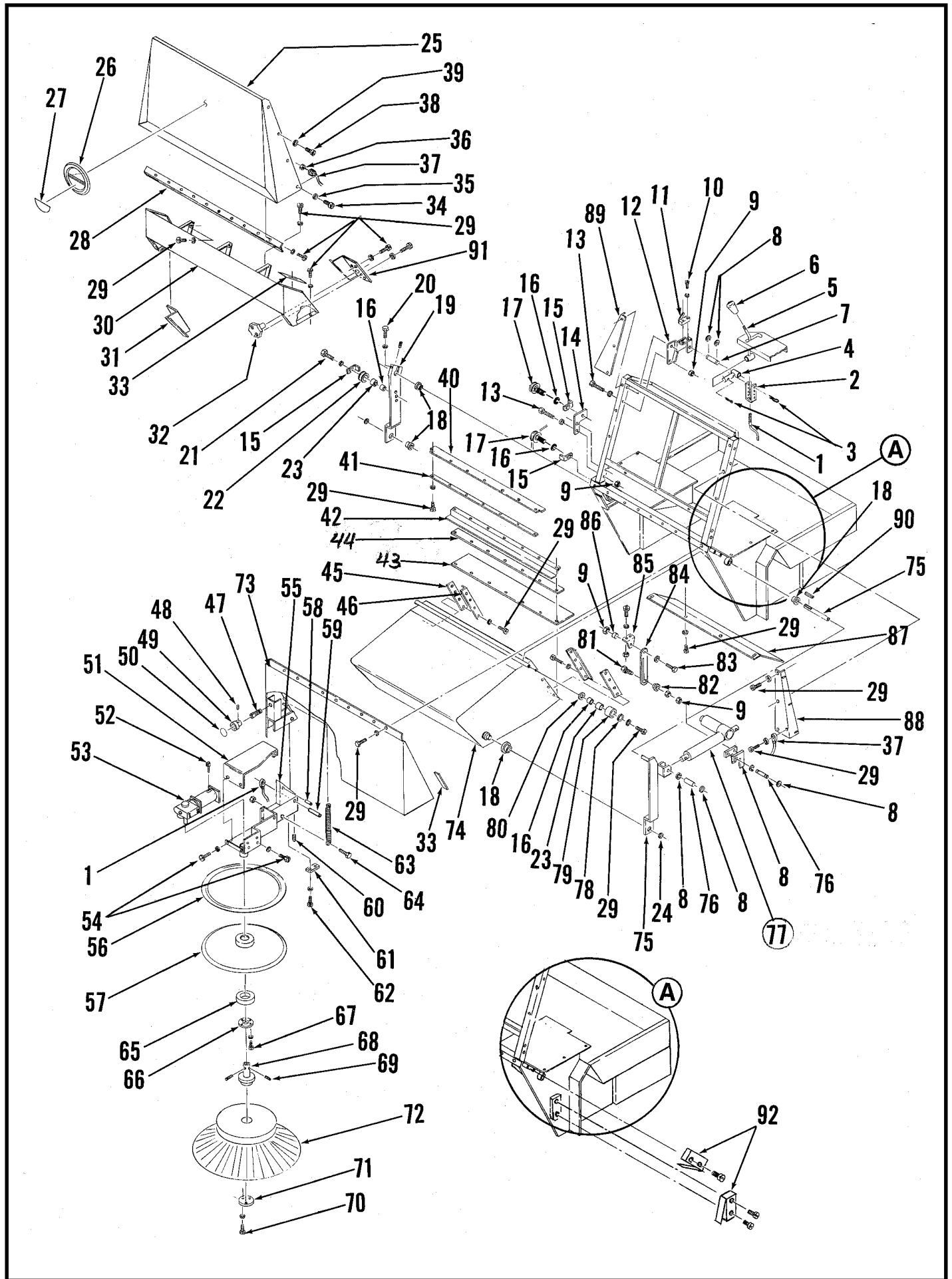
CONTROLS ASSEMBLY

| Item | Ref. No. | Qty | Description | Item | Ref. No. | Qty | Description |
|------|----------|-----|--------------------------|------|----------|-----|------------------------------|
| 1 | 56016754 | 1 | Decal, Steering Wheel | 41 | 56101761 | 1 | Fitting, Grease |
| 2 | 56449774 | 1 | Cap, Steering Wheel | 42 | | 4 | Scr, Hex Hd 3/8-16 x 1.75 |
| 3 | | 1 | Scr, Hex Hd 3/8-16 x .75 | 43 | 56469768 | 1 | Plate, Steering |
| 4 | | 5 | Wsh, Loc 3/8 | 44 | 56469772 | 1 | Key, Sq. |
| 5 | | 1 | Wsh, Flt 3/8 | 45 | | 1 | Cotter Key 1/8 x 1.50 |
| 6 | 56477773 | 1 | Steering Wheel | 46 | 56110817 | 1 | Nut |
| 7 | 56468452 | 1 | Shaft, Steering | 47 | 56363685 | 2 | Rod End |
| 8 | | 4 | Screw | 48 | 56469770 | 2 | Adaptor, Rod End |
| 9 | | 4 | Wsh, Loc | 49 | | 2 | Nut, Hex 5/16-18 |
| 10 | 56468462 | 1 | Stop Weldment | 50 | 56468460 | 2 | Cable Assembly |
| 11 | 56468508 | 1 | Plate Weldment | 51 | 56477884 | 2 | Clamp, Cable |
| 12 | | 4 | Scr, Flt Hd 10-24 x .50 | 52 | | 10 | Wsh, Loc 1/4 |
| 13 | 56468518 | 1 | Bracket | 53 | | 10 | Scr, Hex Hd 1/4-20 x .62 |
| 14 | | 48 | Wsh, Loc #10 | 54 | 56468053 | 1 | Bracket Weldment |
| 15 | | 48 | Scr, Pan Hd 10-24 x .38 | 55 | 56468430 | 1 | Plate Weldment |
| 16 | 56379301 | 2 | Spring | 56 | 56372773 | 1 | Bearing, Ball |
| 17 | | 7 | Nut, Hex 10-24 | 57 | 56469752 | 1 | Sprocket Weldment |
| 18 | | 3 | Scr, Pan Hd 10-24 x .88 | 58 | 56469874 | 1 | Chain, Roller |
| 19 | 56468500 | 1 | Rod Weldment | 59 | 56111503 | 1 | Bearing, Sleeve |
| 20 | 56171225 | 4 | Switch Assembly | 60 | 56470790 | 1 | Sprocket |
| 21 | | 8 | Wsh, Loc #6 | 61 | | 2 | Cotter Key, 1/16 x .75 |
| 22 | | 8 | Scr, Pan Hd 6-32 x 1.00 | 62 | | 1 | Scr, Soc Set 1/4-20 x .38 |
| 23 | 56468529 | 1 | Bracket | 63 | 56124028 | 1 | Key, Woodruff |
| 24 | 56363685 | 1 | Rod W/Ball | 64 | 56367095 | 1 | Collar |
| 25 | 56206849 | 2 | Bearing, Nyliner | 65 | | 1 | Scr, Soc Set 5/16-18 x .38 |
| 26 | 56321125 | 2 | Ring, Retaining 1/4 | 66 | 56025121 | 1 | Decal, Control Panel |
| 27 | 56448050 | 1 | Pin | 67 | 56469892 | 1 | Control Panel Weldment |
| 28 | 56468514 | 1 | Pedal Weldment | 68 | 56441555 | 1 | Switch, Start |
| 29 | 56449958 | 1 | Mat, Pedal | 69 | 56468359 | 1 | Switch, Toggle |
| 30 | 56468520 | 1 | Panel | 70 | 56364210 | 1 | Meter, Volt |
| 31 | 56378380 | 1 | Bearing, Ball | 71 | 56467410 | 1 | Light, Indicator |
| 32 | 56469762 | 1 | Plate Weldment | 72 | 56441538 | 1 | Switch, Ignition |
| 33 | 56378259 | 1 | Bearing, Cup | 73 | 56469890 | 1 | Switch, Emergency Shut-Off |
| 34 | 56378267 | 1 | Bearing, Cone | 74 | 56469792 | 1 | Cable Assy, Dust Control |
| 35 | 56171078 | 1 | Seal | 75 | 56469894 | 1 | Knob, Shut-Off |
| 36 | 56469766 | 1 | Axle Weldment, Rear | 76 | 56015020 | 1 | Decal, Reset |
| 37 | 56367192 | 2 | Washer | 77 | | | Intentionally Omitted |
| 38 | 56468458 | 2 | Wheel, 6" | 78 | 56479854 | 1 | Gasket |
| 39 | | 2 | Wsh, Flt 3/8 | | | | |
| 40 | | 2 | Scr, Hex Hd 3/8-16 x .50 | | | | |



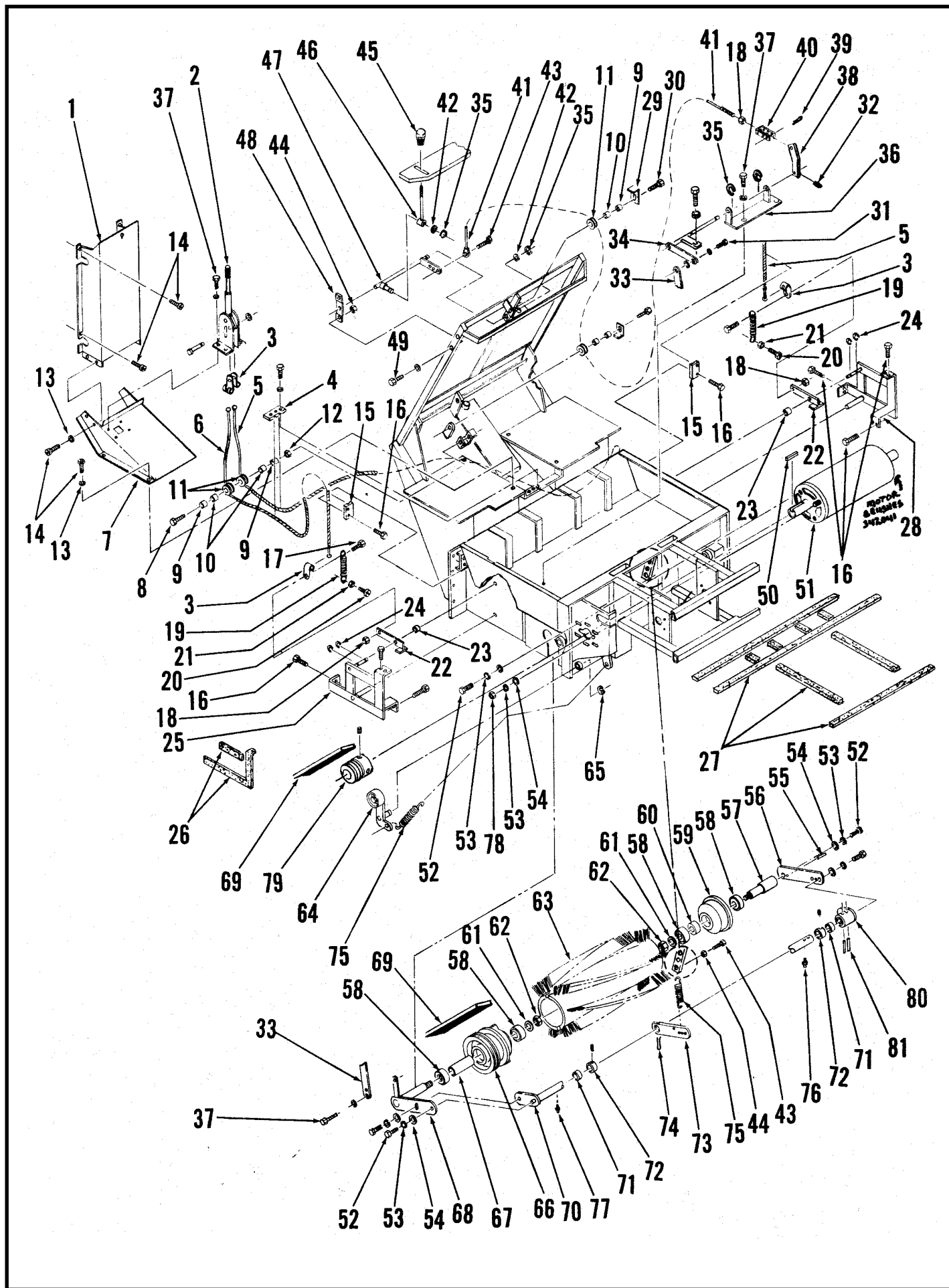
WHEEL DRIVE ASSEMBLY

| Item | Ref. No. | Qty | Description | Item | Ref. No. | Qty | Description |
|------|----------|-----|---------------------------|------|----------|-----|----------------------------|
| 1 | 56025122 | 1 | Decal, Brake | 34 | 56441406 | 4 | Sleeve Bearing |
| 2 | | 2 | Scr, Flt Hd 1/4-20 x 1.00 | 35 | 56101753 | 4 | Fitting, Grease 1/4-28 |
| 3 | 56365081 | 1 | Plate | 36 | 56469004 | 1 | Bracket, Mounting |
| 4 | 56365082 | 1 | Pad, Rubber | 37 | 56469016 | 1 | Bracket, Mounting |
| 5 | 56365083 | 1 | Cup, Pedal | 38 | | 2 | Scr, Rd Hd 1/4-20 x 1.50 |
| 6 | 56468542 | 1 | Shaft Weldment | 39 | | 2 | Nut, Hex 1/4-20 |
| 7 | 56206784 | 2 | Bushing | 40 | 56367184 | 2 | Bearing, Thrust |
| 8 | | 14 | Wsh, Loc | 41 | 56367095 | 2 | Collar, Shaft |
| 9 | | 14 | Scr, Hex Hd 1/4-20 x .50 | 42 | | 2 | Scr, Soc Set 5/16-18 x .38 |
| 10 | | 1 | Nut, Hex #10 | 43 | 56469516 | 4 | Scr, Hex Hd 5/16-18 x 4.25 |
| 11 | | 1 | Scr, Pan Hd 10-24 x 1.00 | 44 | 56469026 | 1 | Drum, Brake |
| 12 | 56443638 | 1 | Spring | 45 | 56469012 | 1 | Spacer |
| 13 | 56468530 | 1 | Bar | 46 | 56469028 | 1 | Differential |
| 14 | | 2 | Scr, Hex Hd 1/4-20 x 1.25 | 47 | 56467368 | 1 | Sprocket #35 |
| 15 | 56468536 | 2 | Plate | 48 | 56468832 | 1 | Chain, Roller #35 |
| 16 | 56321540 | 2 | Grommet | 49 | | 4 | Wsh, Loc 5/16 |
| 17 | 56468553 | 4 | Spacer | 50 | | 6 | Nut, Hex 5/16-18 |
| 18 | | 4 | Wsh, Loc 1/4 | 51 | | 8 | Scr, Hex Hd 1/4-20 x .62 |
| 19 | | 4 | Nut, Hex 1/4-20 | 52 | | 12 | Wsh, Loc 1/4 |
| 20 | | 2 | Scr, Hex Hd 1/4-20 x 2.00 | 53 | | 16 | Wsh, Flt 1/4 |
| 21 | 56367192 | 4 | Washer | 54 | 56402745 | 1 | Strap, Brake |
| 22 | 56468878 | 2 | Wheel Assembly | 55 | 56468380 | 1 | Motor |
| 23 | | 8 | Scr, Hex Hd 3/8-16 x 2.50 | 56 | 56448733 | 1 | Fuse Clamp, 70A |
| 24 | 56250414 | 2 | Bearing, Flange | 57 | 56448741 | 1 | Block, Clamp Fuse |
| 25 | 56468882 | 2 | Sprocket | 58 | 56468800 | 1 | Mount, Motor |
| 26 | 56468883 | 8 | Bushing | 59 | | 2 | Wsh, Flt 5/16 |
| 27 | 56468880 | 2 | Wheel, 8" | 60 | | 2 | Scr, Hex Hd 5/16-18 x .75 |
| 28 | | 8 | Nut, Hex 3/8-16 | 61 | 56470792 | 1 | Sprocket #35 |
| 29 | 56468884 | 2 | Chain, Roller #40 | 62 | 56469868 | 1 | Connector Assy, Dual |
| 30 | 56469512 | 2 | Tray, Battery | 63 | 56469870 | 1 | Connector Assy, Dual |
| 31 | | 6 | Scr, Soc Set 1/4-20 x .38 | 64 | | 4 | Scr, Rd Hd 1/4-20 x 1.00 |
| 32 | 56443719 | 3 | Key | 65 | 56150274 | 1 | Stud 1/4-20 x .88 |
| 33 | 56471148 | 2 | Sprocket #40 | 66 | 56469858 | 1 | Insulated Standoff |



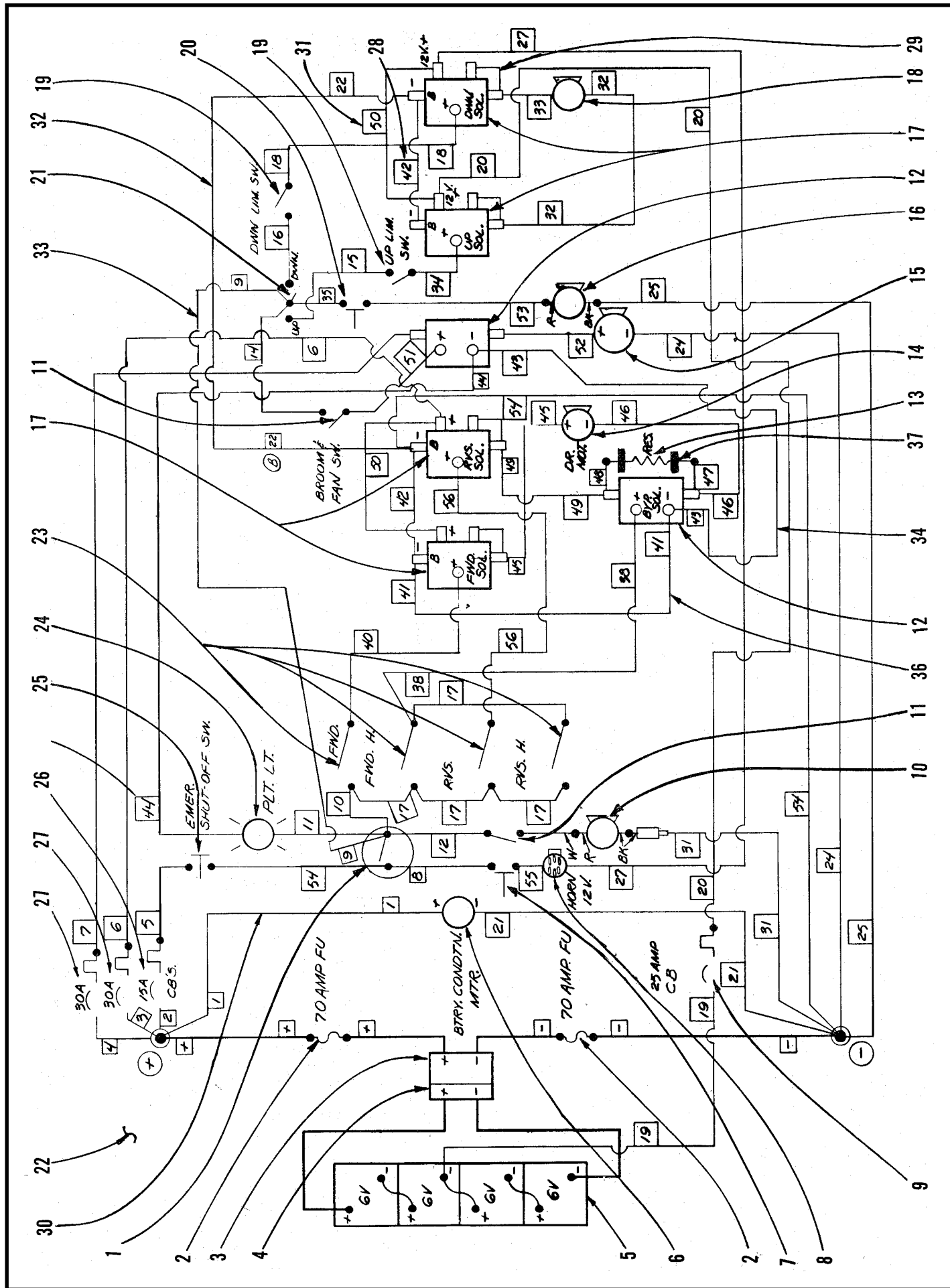
HOPPER AND SIDE BROOM

| Item | Ref. No. | Qty | Description | Item | Ref. No. | Qty | Description |
|------|----------|-----|--------------------------------|------|----------|-----|----------------------------------|
| 1 | 56468266 | 1 | Cable, Side Broom | 51 | 56468274 | 1 | Cover, Plate |
| 2 | 56470690 | 1 | Yoke | 52 | 56471129 | 2 | Brushes, Motor Set |
| 3 | | 2 | Cotter Key, 3/16 X 3/4 | 53 | 56471125 | 1 | Motor, Gear Unit 24V |
| 4 | 56468290 | 1 | Shaft Weldment | 54 | | 11 | Screw, Truss Hd. 1/4-20 x 3/8 |
| 5 | 56468296 | 1 | Handle Weldment | 55 | 56468252 | 1 | Arm Weldment, Side |
| 6 | 56378534 | 1 | Knob | 56 | 56470648 | 1 | Bumper |
| 7 | 56468302 | 1 | Pin | 57 | 56470664 | 1 | Guard, Sidebroom |
| 8 | 56468834 | 6 | Ring, Retaining | 58 | | 1 | Pin, Spring |
| 9 | | 7 | Nut, Hex 1/4-20 | 59 | 56468276 | 1 | Pin |
| 10 | | 2 | Screw, Pan Hd. #6-32 x 1 | 60 | | 1 | Screw, Socket Set 1/4-20 x 3/8 |
| 11 | 56468306 | 1 | Switch | 61 | 56468258 | 1 | Plate |
| 12 | 56468284 | 1 | Bracket Weldment | 62 | | 2 | Screw, Pan Hd. #10-24 x 1/4 |
| 13 | | 4 | Screw, Hex. Hd. 1/4-20 X 1-1/2 | 63 | 56448112 | 1 | Spring |
| 14 | 56468278 | 1 | Bracket | 64 | | 1 | Screw, Hex. Hd. 3/8-16 x 1-1/2 |
| 15 | 56390778 | 3 | Guide | 65 | 56470656 | 1 | Bearing, Ball |
| 16 | | 2 | Washer, Shpf 7/16 | 66 | 56470773 | 1 | Washer |
| 17 | 56159749 | 2 | Pulley | 67 | | 4 | Screw, Pan Hd. #8-32 x 1/2 |
| 18 | 56250414 | 4 | Bushing | 68 | 56470796 | 1 | Adaptor, Brush |
| 19 | 56468656 | 1 | Arm Weldment, Right | 69 | | 2 | Screw, Socket Set 5/16-18 x 1/4 |
| 20 | | 1 | Screw, Hex. Hd. 1/4-20 X 1-3/4 | 70 | | 3 | Screw, Hex. Hd. 1/4-20 x 3/4 |
| 21 | | 1 | Screw, Hex. Hd. 7/16-14 X 1 | 71 | 56473871 | 1 | Washer |
| 22 | 56159743 | 1 | Pulley | 72 | 56473936 | 1 | Broom, Side |
| 23 | 56159778 | 3 | Bearing Sleeve | 73 | 56468910 | 1 | Panel Weldment |
| 24 | 56366358 | 2 | Ring, Retaining | 74 | 56468610 | 1 | Hopper Weldment |
| 25 | 56468972 | 1 | Cover | 75 | 56468640 | 1 | Arm Weldment |
| 26 | 56024958 | 1 | Decal, Advance | 76 | 56468684 | 2 | Pin |
| 27 | 56024962 | 1 | Decal, Retriever | 77 | 56468370 | 1 | Actuator, 12V TSB 547 |
| 28 | 56468950 | 1 | Hinge | | | | TSB 640 |
| 29 | | 57 | Screw, Pan Hd. #10-24 X 3/8 | 78 | | 2 | Washer, Flat 1/4 |
| 30 | 56468900 | 1 | Panel Weldment | 79 | 56468670 | 2 | Roller |
| 31 | 56468956 | 1 | Panel Weldment | 80 | | 2 | Washer, Flat 7/16 |
| 32 | 56441555 | 1 | Switch, Hopper Actuating | 81 | | 1 | Screw, Hex. Hd. 1/4-20 x 1-1/2 |
| 33 | 56320986 | 2 | Gasket | 82 | 56384708 | 1 | Bushing, Shoulder |
| 34 | | 2 | Screw, Oval Hd. #10-24 x 1 | 83 | | 1 | Screw, Hex. Hd. 1/4-20 x 1 w/lkw |
| 35 | | 2 | Washer, Finishing #10 | 84 | 56449262 | 1 | Latch |
| 36 | | 2 | Nut, Hex #10 | 85 | 56449250 | 1 | Bracket |
| 37 | 56325240 | 2 | Cable Assembly | 86 | 56206784 | 1 | Bushing |
| 31 | | 6 | Screw, Oval Hd. #10-24 x 3/8 | 87 | 56468952 | 1 | Panel |
| 39 | | 6 | Washer, Finishing | 88 | 56468974 | 1 | Panel, Left |
| 40 | 56468672 | 1 | Blade | 89 | 56468976 | 1 | Panel, Right |
| 41 | 56468674 | 1 | Strap | 90 | 56443719 | 1 | Key |
| 42 | 56468679 | 1 | Bracket | 91 | 56468954 | 1 | Panel |
| 43 | 56468677 | 1 | Blade | 92 | 56468306 | 2 | Switch TSB 640 |
| 44 | 56468688 | 1 | Backup-Plate | | | | |
| 45 | 56468680 | 2 | Gasket | | | | |
| 46 | 56468681 | 2 | Strap | | | | |
| 47 | 56468304 | 1 | Screw, Stud | | | | |
| 48 | | 1 | Pin, Spring 1/8 x 1 | | | | |
| 49 | 56217972 | 1 | Knob | | | | |
| 50 | 56015059 | 1 | Decal, Brush Control | | | | |



MAIN BROOM ASSEMBLY

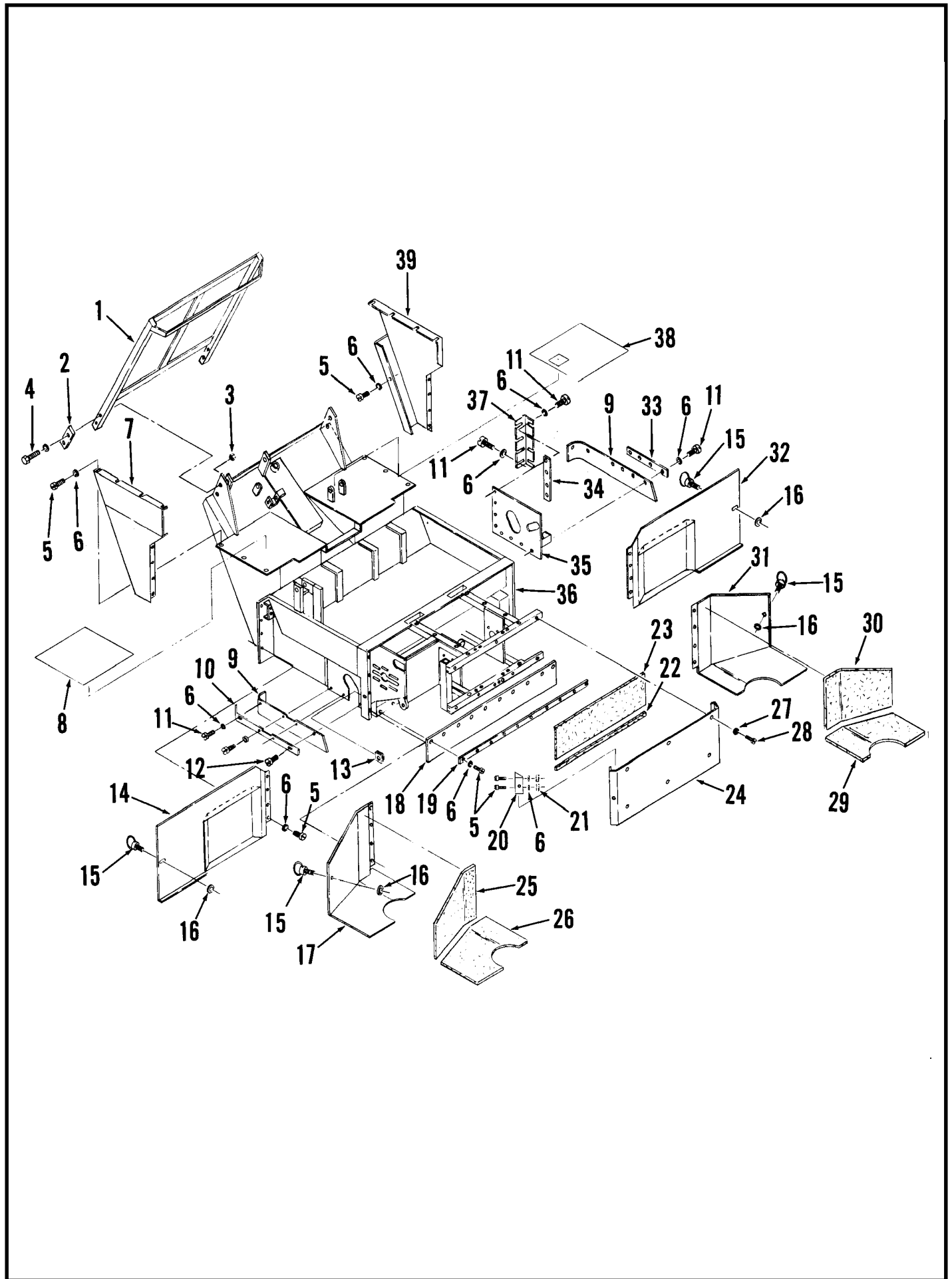
| Item | Ref. No. | Qty | Description | Item | Ref. No. | Qty | Description |
|------|----------|-----|----------------------------|------|----------|-----|---------------------------|
| 1 | 56468934 | 1 | Panel, Console | 42 | | 3 | Wsh, Fit 3/8 |
| 2 | 56448200 | 1 | Lever Assy, Hand Brake | 43 | | 2 | Scr, Hex Hd 1/4-20 x 1.00 |
| 3 | 56468524 | 4 | Clamp, Cable | 44 | | 4 | Nut, Hex 1/4-20 |
| 4 | 56468578 | 1 | Block | 45 | 56378534 | 1 | Knob |
| 5 | 56468528 | 1 | Cable, Brake | 46 | 56468230 | 1 | Handle Weldment |
| 6 | 56468526 | 1 | Cable, Brake | 47 | 56468222 | 1 | Shaft Weldment |
| 7 | 56468936 | 1 | Panel, Console | 48 | 56468248 | 1 | Plate |
| 8 | | 1 | Scr, Hex Hd 7/16-14 x 2.50 | 49 | | 2 | Scr, Hex Hd 1/4-20 x 1.50 |
| 9 | 56159794 | 4 | Bushing | 50 | 56443719 | 1 | Key |
| 10 | 56159778 | 4 | Sleeve Bearing | 51 | 56469504 | 1 | Motor |
| 11 | 56159743 | 4 | Pulley | 52 | | 4 | Scr, Hex Hd 5/16-18 x .75 |
| 12 | | 1 | Nut, Hex Nyl Loc 7/16-14 | 53 | | 4 | Wsh, Loc 5/16 |
| 13 | | 9 | Wsh, Loc #10 | 54 | | 4 | Wsh, Fit 5/16 |
| 14 | | 9 | Scr, Pan Hd 10-24 x .38 | 55 | 56469054 | 1 | Pin, Spring |
| 15 | 56468576 | 2 | Block | 56 | 56469052 | 1 | Plate |
| 16 | | 16 | Scr, Hex Hd 1/4-20 x .75 | 57 | 56469056 | 1 | Shaft |
| 17 | | 2 | Scr, Hex Hd 1/4-20 x 1.25 | 58 | 56479430 | 4 | Bearing, Ball |
| 18 | | 3 | Nut, Hex 1/4-20 | 59 | 56470636 | 1 | Lug, Idler |
| 19 | 56324580 | 2 | Spring | 60 | 56470728 | 1 | Bushing |
| 20 | | 2 | Scr, Pan Hd 10-24 x 1.25 | 61 | | 2 | Wsh, Fit 3/4 |
| 21 | | 2 | Nut, Hex #10 | 62 | | 2 | Nut, Hex 3/4-10 |
| 22 | 56468570 | 2 | Bar Weldment | 63 | 56474936 | 1 | Broom, Main |
| 23 | 56366633 | 2 | Bushing | 64 | 56469390 | 1 | Idler Assy |
| 24 | 56468834 | 4 | Ring, retaining | 65 | 56321427 | 1 | Ring, Retaining |
| 25 | 56468861 | 1 | Axle Weldment, Left | 66 | 56470642 | 1 | Pulley, Drive Lug |
| 26 | 56200754 | A/R | Gasket, 1/16 x 1/2 | 67 | 56470730 | 1 | Bushing |
| 27 | 56300314 | A/R | Gasket, 3/16 x 1/2 | 68 | 56468200 | 1 | Shaft Weldment |
| 28 | 56468876 | 1 | Axle Weldment, Right | 69 | 56470630 | 1 | Belt, Poly-V 320JB |
| 29 | 56390778 | 2 | Guide | 70 | 56469060 | 1 | Arm Weldment |
| 30 | | 2 | Scr, Hex Hd 7/16-14 x 1.00 | 71 | 56441406 | 2 | Bearing, Oilite |
| 31 | | 1 | Scr, Hex Hd 1/4-20 x .62 | 72 | 56367095 | 2 | Collar, Shaft |
| 32 | | 1 | Scr, Soc Set 1/4-20 x .38 | 73 | 56468246 | 1 | Plate |
| 33 | 56468244 | 1 | Link | 74 | | 1 | Cotter Key 3/16 x 2.00 |
| 34 | 56468210 | 1 | Rod Weldment | 75 | 56470672 | 2 | Spring |
| 35 | 56321427 | 4 | Ring, Retaining | 76 | 56101737 | 2 | Fitting, Grease 1/4-28 |
| 36 | 56468204 | 1 | Plate Weldment | 77 | 56101761 | 1 | Fitting, Grease |
| 37 | | 7 | Scr, Hex Hd 1/4-20 x .50 | 78 | | 2 | Nut, Hex 5/16-18 |
| 38 | 56468216 | 1 | Bar | 79 | 56756061 | 1 | Sheave |
| 39 | | 1 | Cotter Key 1/8 x 1.00 | 80 | 56469057 | 1 | Arm Weldment |
| 40 | 56470690 | 1 | Yoke | 81 | | 2 | Pin, Spring 3/16 x 1.25 |
| 41 | 56468220 | 1 | Cable, Main Broom | | | | |



ELECTRICAL SCHEMATIC

| Item | Ref. No. | Qty | Description |
|------|----------|-----|----------------------------|
| 1 | 56441538 | 1 | Switch, Ignition |
| 2 | 56448733 | 2 | Fuse, 70A |
| 3 | 56469868 | 1 | Connector Assy, Dual |
| 4 | 56469870 | 1 | Connector Assy, Dual |
| 5 | | 4 | Battery, 6V |
| 6 | 56364210 | 1 | Meter, Volt |
| 7 | 56441555 | 1 | Switch, Horn |
| 8 | 56442054 | 1 | Horn, 12V |
| 9 | 56469788 | 1 | Circuit Breaker, 25A |
| 10 | 56469530 | 1 | Motor, Side Broom |
| 11 | 56468306 | 2 | Switch, Side Broom |
| 12 | 56468358 | 2 | Solenoid, 24V |
| 13 | 56470752 | 1 | Resistor |
| 14 | 56468380 | 1 | Motor, Drive 24VDC |
| 15 | 56469504 | 1 | Motor, Broom & Fan 24V |
| 16 | 56469558 | 1 | Motor, Shaker |
| 17 | 56470750 | 4 | Solenoid, 24V |
| 18 | 56469880 | 1 | Motor, Hopper Lift |
| 19 | 56468306 | 2 | Switch, Up Limit |
| 20 | 56441555 | 1 | Switch, Hopper Actuating |
| 21 | 56468359 | 1 | Switch, Hopper Dir. |
| 22 | 56469784 | 1 | Panel, Electrical |
| 23 | 56171225 | 4 | Switch Assy, SPST N.C. |
| 24 | 56467410 | 1 | Light, Indicator |
| 25 | 56469890 | 1 | Switch, Emergency Shut-Off |
| 26 | 56454538 | 1 | Circuit Breaker, 15A |
| 27 | 56454423 | 2 | Circuit Breaker, 30A |
| 28 | 56469896 | 2 | Wire Assy #10 x 6 |
| 29 | 56454512 | 4 | Wire Assy #10 x 3.5 |
| 30 | 56469848 | 1 | Wire Assy #14 x 4 |
| 31 | 56469831 | 1 | Wire Assy #14 x 6.5 |
| 32 | 56469886 | 1 | Wire Assy #14 x 8 |
| 33 | 56469866 | 1 | Wire Assy #14 x 9.75 |
| 34 | 56469846 | 1 | Wire Assy #14 x 3 |
| 35 | 56469864 | 1 | Wire Assy #14 x 5 |
| 36 | 56469862 | 1 | Wire Assy #14 x 5 |
| 37 | 56470754 | 2 | Strap |
| * | 56469860 | 1 | Wire Harness |
| * | 56471220 | 2 | Bushing |
| * | 56468316 | 1 | Cord Assy |
| * | 56454441 | 1 | Block, terminal |

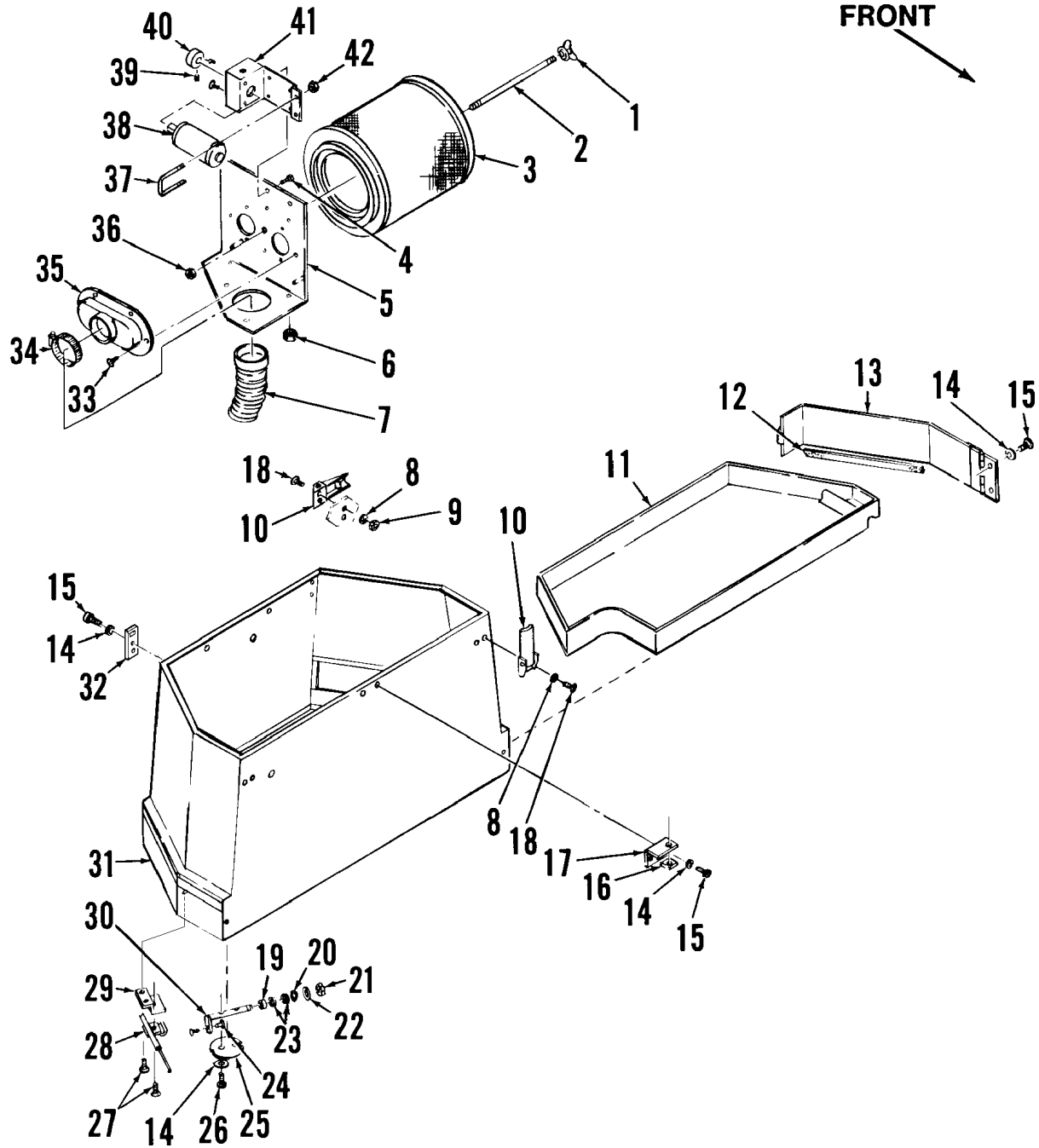
* = Not Shown



CHASSIS ASSEMBLY

| Item | Ref. No. | Qty | Description |
|------|----------|-----|---------------------------------|
| 1 | 56468550 | 1 | Control Base |
| 2 | 56469888 | 1 | Plate |
| 3 | | 2 | 5/16-18 Nut |
| 4 | | 2 | Screw, Hex. Hd. 5/16-18 x 1-1/2 |
| 5 | | 48 | Screw, Pan Hd. #10-24 x 3/8 |
| 6 | | 48 | #10 Washer |
| 7 | 56468942 | 1 | Panel, Left |
| 8 | 56468962 | 1 | Floor Mat, Left |
| 9 | 56469314 | 2 | Blade |
| 10 | 56469318 | 1 | Strap, Left Side |
| 11 | | 8 | Screw, Pan Hd. #10-24 x 1/2 |
| 12 | | 2 | Screw, Flt Hd #10-24 x 3/8 |
| 13 | 56468960 | 2 | Screw Receptical |
| 14 | 56468886 | 1 | Door |
| 15 | 56448104 | 4 | Screw, Fastener |
| 16 | 56448108 | 4 | Washer, retainer |
| 17 | 56469428 | 1 | Door, Left |
| 18 | 56470598 | 1 | Blade |
| 19 | 56470604 | 1 | Strap |
| 20 | 56448109 | 2 | Plate, Mounting |
| 21 | | 4 | #10-24 Nut |
| 22 | 56469876 | 1 | Foam, accoustical |
| 23 | 56469878 | 1 | Foam, Accoustical |
| 24 | 56472062 | 1 | Panel, Rear |
| 25 | 56469554 | 1 | Foam, Accoustical |
| 26 | 56469552 | 1 | Foam, Accoustical |
| 27 | 56449340 | 6 | #10 Washer |
| 28 | | 6 | Screw, #10-24 x 3/8 |
| 29 | 56469550 | 1 | Foam, Accoustical |
| 30 | 56469556 | 1 | Foam, Accoustical |
| 31 | 56469426 | 1 | Right Door |
| 32 | 56469884 | 1 | Door |
| 33 | 56469316 | 1 | Strap, Right Side |
| 34 | 56469096 | 1 | Spacer, Brush Door |
| 35 | 56469092 | 1 | Door, Brush |
| 36 | 56469790 | 1 | Chassis |
| 37 | 56469098 | 1 | Hinge, Brush Door |
| 38 | 56468958 | 1 | Floor Mat, Right |
| 39 | 56468940 | 1 | Panel, Right |

FRONT



FILTER BOX ASSEMBLY (after 05/03/85)

| Item | Ref. No. | Qty | Description |
|------|----------|-----|------------------------|
| 1 | 56468015 | 1 | Wing Nut |
| 2 | 56468021 | 1 | Filter Stud |
| 3 | 56468019 | 1 | Filter Element |
| 4 | 56001854 | 4 | 1/4-20 x 1/2 Screw |
| 5 | 56468011 | 1 | Filter Mount |
| 6 | 56002708 | 3 | 1/4-20 Nyl Loc Nut |
| 7 | 56469027 | 1 | Hose |
| 8 | 56002006 | 6 | #6 Flat Washer |
| 9 | 56002830 | 6 | #6-32 Nyl Loc Nut |
| 10 | 56471194 | 3 | Latch |
| 11 | 56469216 | 1 | Tray |
| 12 | 56200754 | 3' | Gasket |
| 13 | 56468364 | 1 | Door |
| 14 | 56002140 | 10 | #8 Flat Washer |
| 15 | 56003007 | 10 | #8-32 x 1/2 Screw |
| 16 | 56468960 | 1 | Screw Receptacle |
| 17 | 56469231 | 1 | Bracket |
| 18 | 56002589 | 6 | #6-32 x 1/2 Screw |
| 19 | 56232181 | 1 | Bushing |
| 20 | 56163767 | 1 | Bow Washer |
| 21 | 56481708 | 1 | Nut |
| 22 | 56002063 | 1 | 3/8 Flat Washer |
| 23 | 56329098 | 2 | Bushing |
| 24 | 56442445 | 1 | Swivel |
| 25 | 56469045 | 1 | Plate |
| 26 | 56001904 | 2 | #6-32 x 3/8 Screw |
| 27 | 56002503 | 3 | #10-24 x 1/2 Screw |
| 28 | 56468522 | 1 | Cable Clamp |
| 29 | 56469366 | 1 | Cable Bracket |
| 30 | 56469033 | 1 | Lever |
| 31 | 56468357 | 1 | Filter Housing |
| 32 | 56468762 | 2 | Plate |
| 33 | 56002475 | 8 | #10-32 x 3/8 Screw |
| 34 | 56352829 | 1 | Hose Clamp |
| 35 | 56468017 | 1 | Hose Mount |
| 36 | 56002305 | 1 | 7/16-20 Nut |
| 37 | 56468329 | 1 | U-Bolt |
| 38 | 56468176 | 1 | Shaker Motor 24V |
| * | 56491823 | 1 | Carbon Brush kit |
| 39 | 56001823 | 2 | #10-24 x 3/8 Set Screw |
| 40 | 56491822 | 1 | Eccentric |
| 41 | 56468331 | 1 | Motor Mount |
| 42 | 56469021 | 2 | Nut |

* = Not Shown



Nilfisk-Advance, Inc.
14600 21st Avenue North
Plymouth, MN, 55447-3408
www.nilfisk-advance.com
Phone: 800-989-2235
Fax: 800-989-6566
©2000 Nilfisk-Advance, Inc.,
Plymouth, MN 55447-3408
Printed in the U.S.A.