



Electronic Service Manuals

This electronic document is provided as a service to our customers. We do not create the contents of the information contained in this document. Should you have detailed questions pertaining to the information contained in this document, you may contact Michco, or the manufacturer which provided the original information in this electronic deliverable. Michco's only part in this electronic deliverable was the electronic assembly process.

You may contact Michco through the following methods:
Phone (517) 484-9312 or (800) 331-3339 MI, OH, IN only
2011 N. High St. -- Lansing, Michigan -- 48906
Fax: (517) 484-9836
Email: CustServ@Michco.com
Web site: www.Michco.Com
Parts Web site: www.FloorMachineParts.Com

Order Parts on Line at:
www.FloorMachineParts.Com

Directly to Parts & Service:
By Email: **Shop@Michco.com**
By Fax: (517) 702-2041
By Voice: Use numbers above.

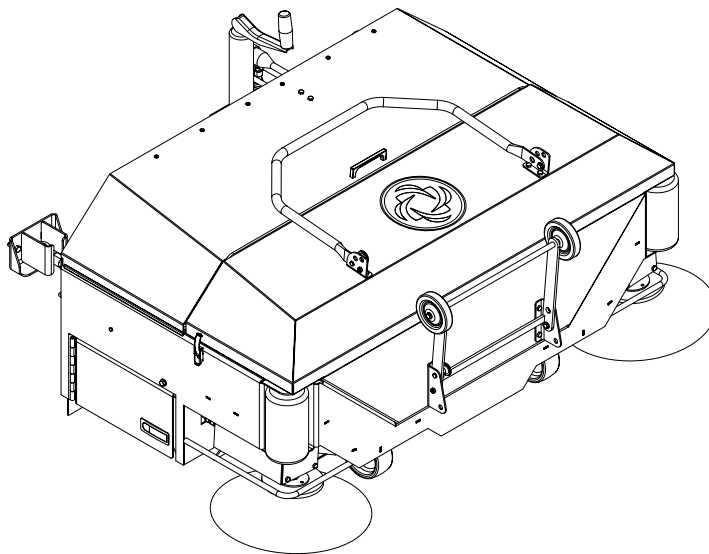
Serving the Cleaning Industry Since 1922

Notice: All copyrighted material remains property of original owners, all trademarks are property of respective owners. Manuals are subject to Manufacturer's reproduction limitations. Originals or reproductions were provided by manufacturers through a request. We make no warranty as to the correctness of information provided in this document and you assume all risk.

PARTS LIST

Advance
2052G/P Presweep
Model 56459550



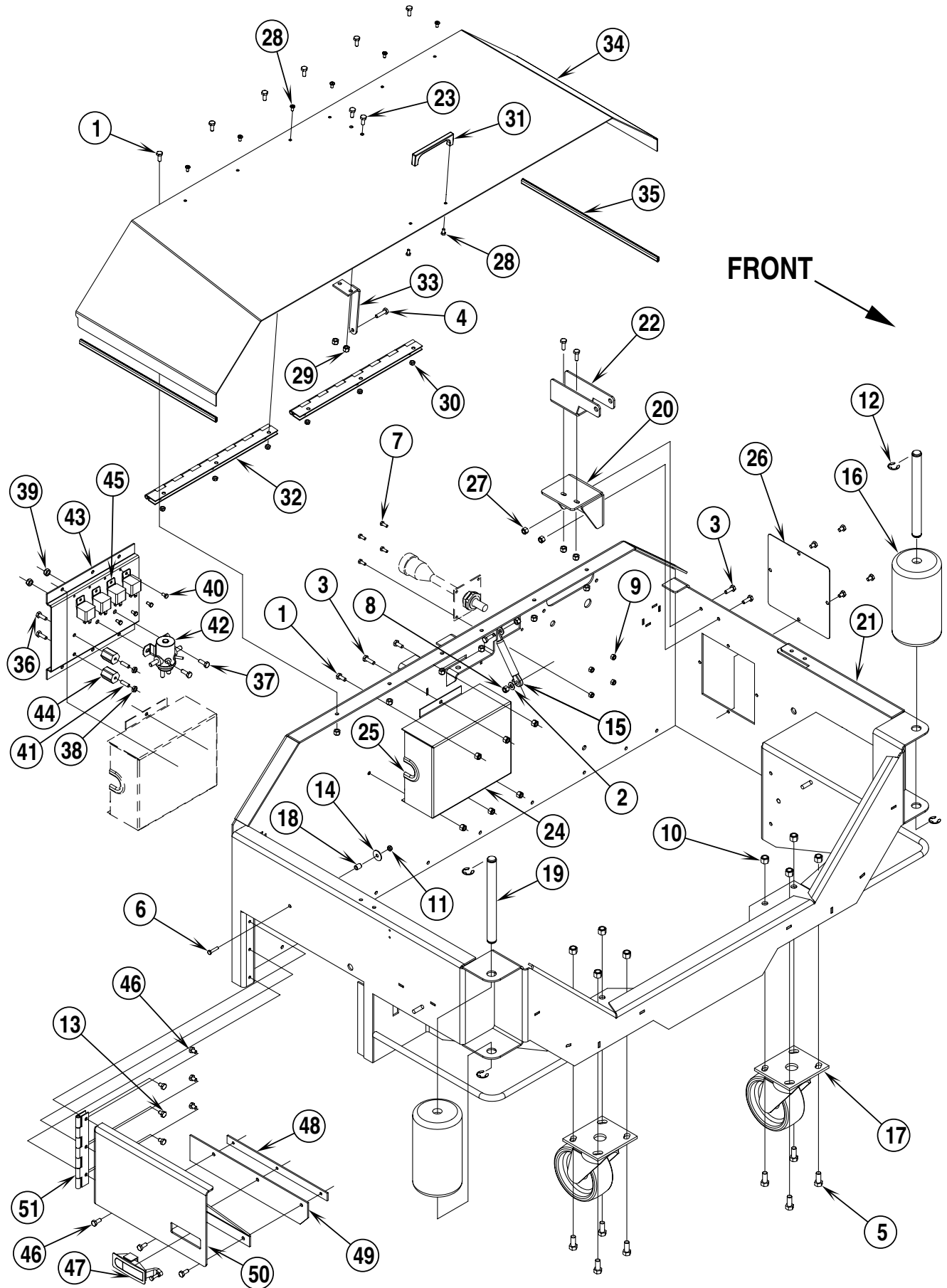


DESCRIPTION	PAGE
CHASSIS SYSTEM	2-3
BROOM SYSTEM	4-5
LIFT SYSTEM	6-7
SKIRT SYSTEM	8-9
DUST CONTROL SYSTEM	10-11
HOPPER ASSEMBLY	12-13
HYDRAULIC SYSTEM	14-15
WIRING DIAGRAM / ELECTRICAL SYSTEM	16-17

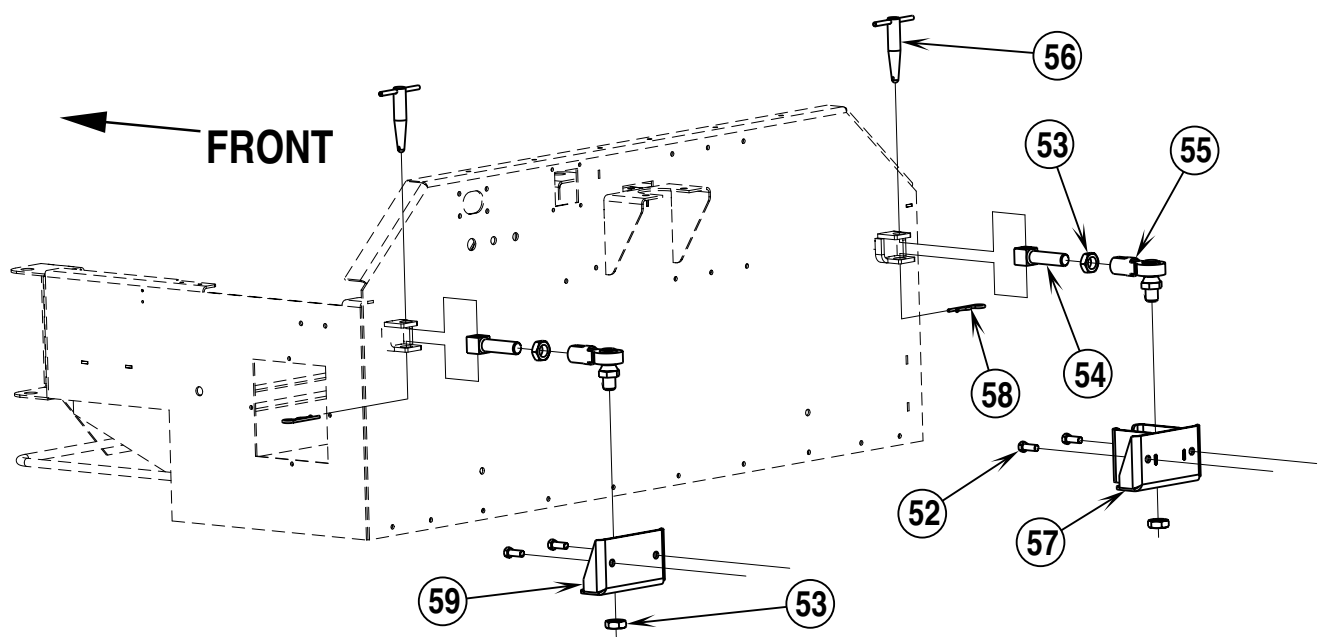
WHEN ORDERING PARTS

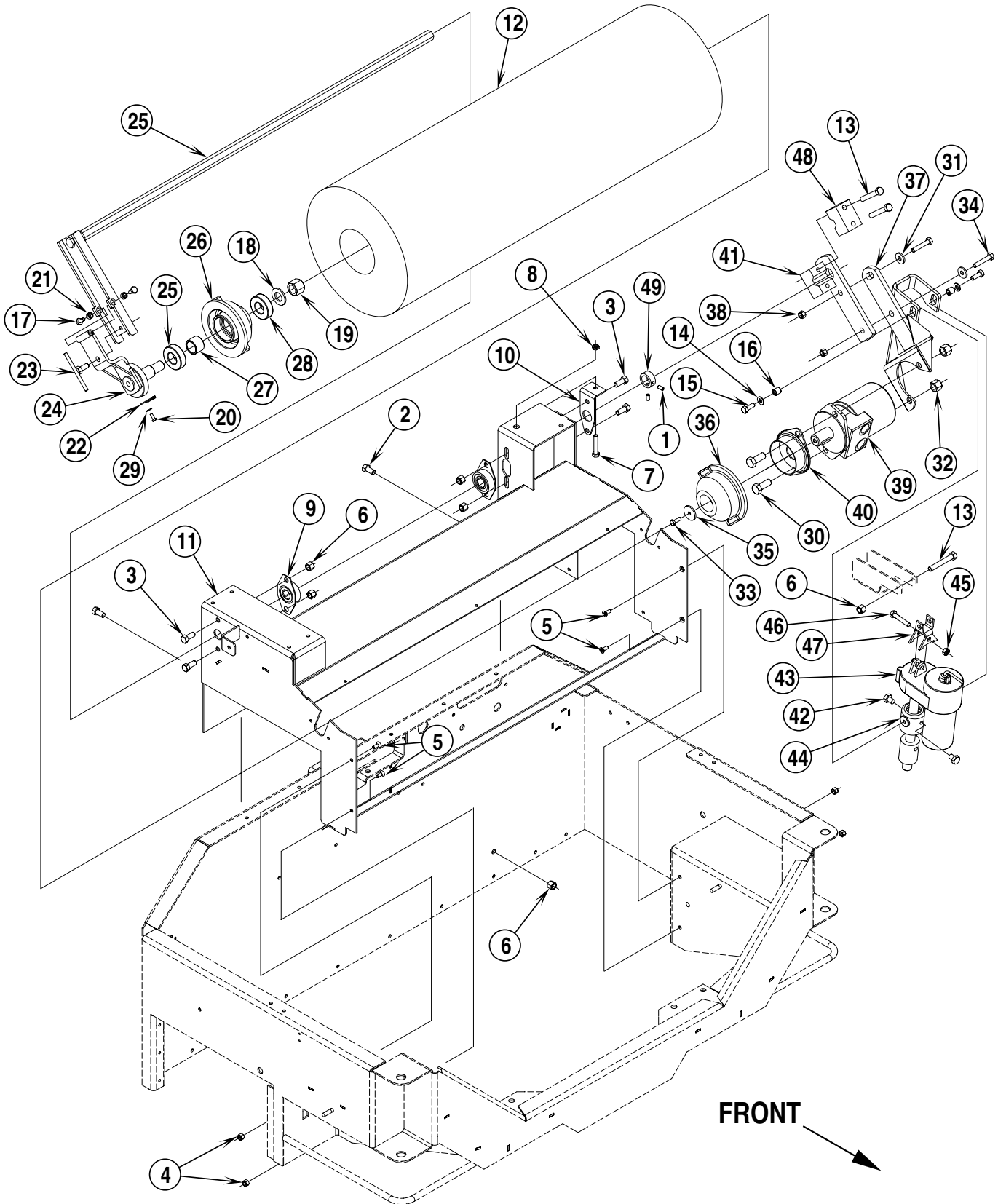
- * Use the 8 digit numbers from the "Ref. No." columns in this parts list.
- * Specify the model and serial number of the machine.
- * Use the space below to record the model and serial number for future reference.

Model _____ Serial No. _____



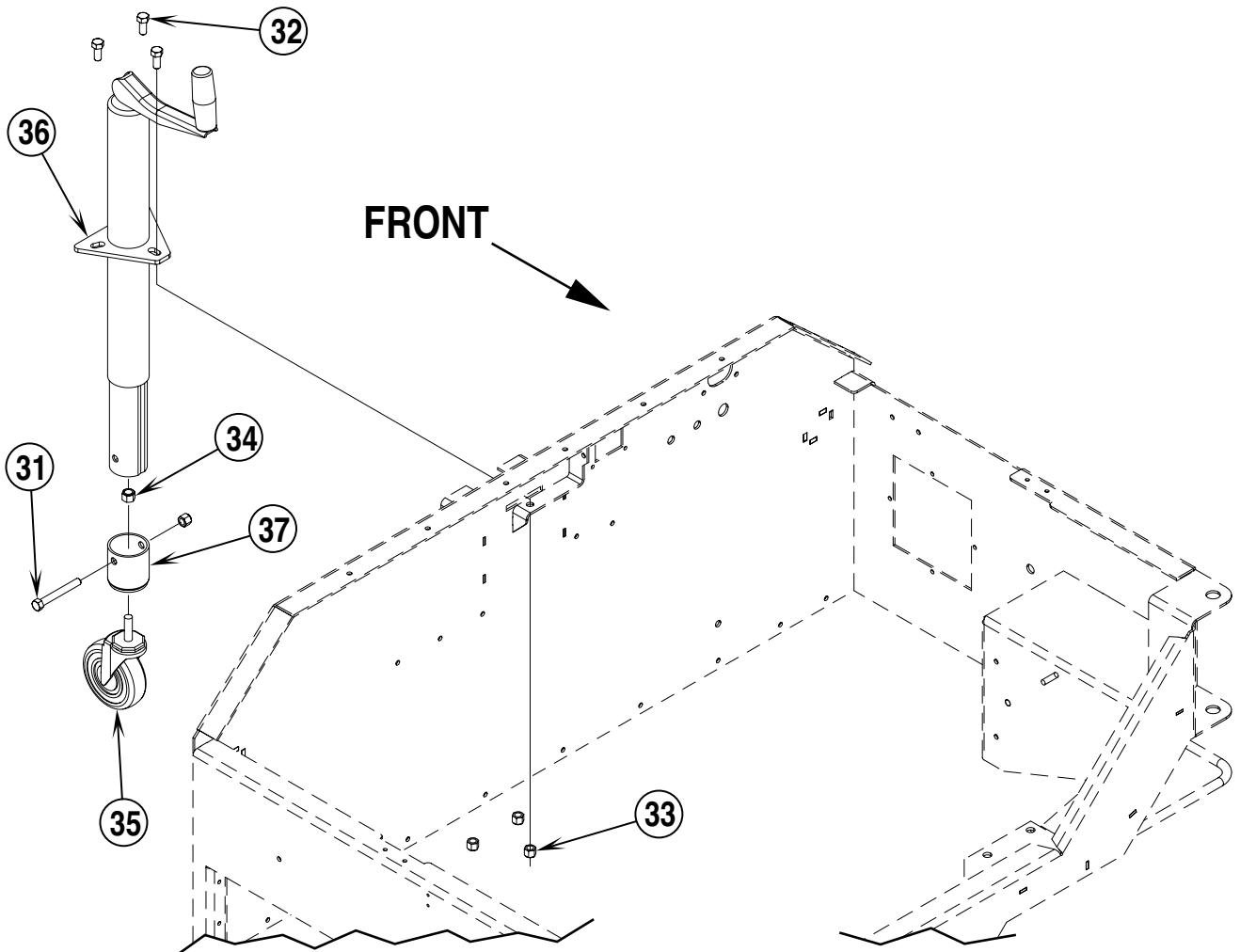
Item	Ref. No.	Qty	Description	Item	Ref. No.	Qty	Description
1	56001836	10	Scr, Hex Hd 1/4-20 x .62	31	56300101	1	Handle
2	56001939	2	Wsh, Flt SAE 5/16	32	56420101	2	Hinge
3	56002155	6	Scr, Hex Hd 1/4-20 x .75	33	56459003	1	Arm
4	56002221	2	Scr, Hex Hd 5/16-18 X 1.00	34	56459586	1	Cover
5	56002271	8	Scr, Hex Hd 3/8-16 x .88	35	56755581	31"	Trim
6	56002425	1	Scr, Hex Hd 10-24 x .88		56459592	1	Electrical Assembly (Items 36-45)
7	56002503	4	Scr, Hex Hd 10-24 x .50	36	56001854	2	Scr, Hex Hd 1/4-20 x .50
8	56002708	16	Nut, Hex Nyl Loc 1/4-20	37	56001862	2	Scr, Hex Hd 5/16-18 x .50
9	56002768	4	Nut, Hex Nyl Loc 10-24	38	56002040	2	Nut, Hex Jam 1/4-20
10	56002769	8	Nut, Hex Nyl Loc 3/8-16	39	56002826	2	Nut, Hex Nyl Loc-Thin 5/16-18
11	56002832	1	Nut, Hex Nyl Loc-Thin 10-24	40	56009012	4	Scr, Hex Thd Form 10-24 x .38
12	56003266	4	Ring, Ret Ext Type E 0.75 Dia	41	56009020	2	Stud
13	56009019	7	Scr, Hex Thd Form 1/4-20 x .38	42	56459567	1	Solenoid 12V
14	56151114	1	Washer	43	56459579	1	Mount, Electrical
15	56302153	1	Gas Spring	44	56469858	2	Electrical Mount
16	56409335	2	Bumper	45	56491862	4	Relay with Mtg. Brkt.
17	56440450	2	Caster, Swivel		56459574	1	Door Assembly (Items 46-51)
18	56475411	1	Bushing	46	56009039	6	Scr, Hex Thd Form 10-24 X .50
19	56459491	2	Pin, Roller	47	56418471	1	Door Latch
20	56459542	1	Mount, Actuator Base	48	56459527	1	Strap
21	56459569	1	Chassis Weldment	49	56459531	1	Skirt, Right
22	56459598	1	Actuator Mount	50	56458978	1	Door Weldment
23	56002701	2	Nut, Hex Nyl Loc 5/16-18	51	56459575	1	Hinge
	56458981	1	Box Assembly (Items 24-25)	52	56002256	4	Scr, Hex Type F 3/8-16 x 1.00
24	56458981	1	Box, Electrical	53	56009083	4	Nut, Hex Jam 3/4-16
25	56755581	6"	Trim (2)	54	56455655	2	Linkage
26	56458982	1	Cover	55	56455660	2	Ball Joint, Reworked
	56459996	1	Cover Assembly (Items 27-35)	56	56459490	2	Pin Weldment
27	56001836	2	Scr, Hex Hd 1/4-20 x .62	57	56459524	1	Mount, Weldment
28	56002043	8	Scr, Pan Phil 10-24 x .38	58	56477583	2	Pin, .15 Hairpin Cotter
29	56002708	2	Nut, Hex Nyl Loc 1/4-20	59	56459995	1	Mount, Chassis
30	56002832	6	Nut, Hex Nyl Loc-Thin 10-24				

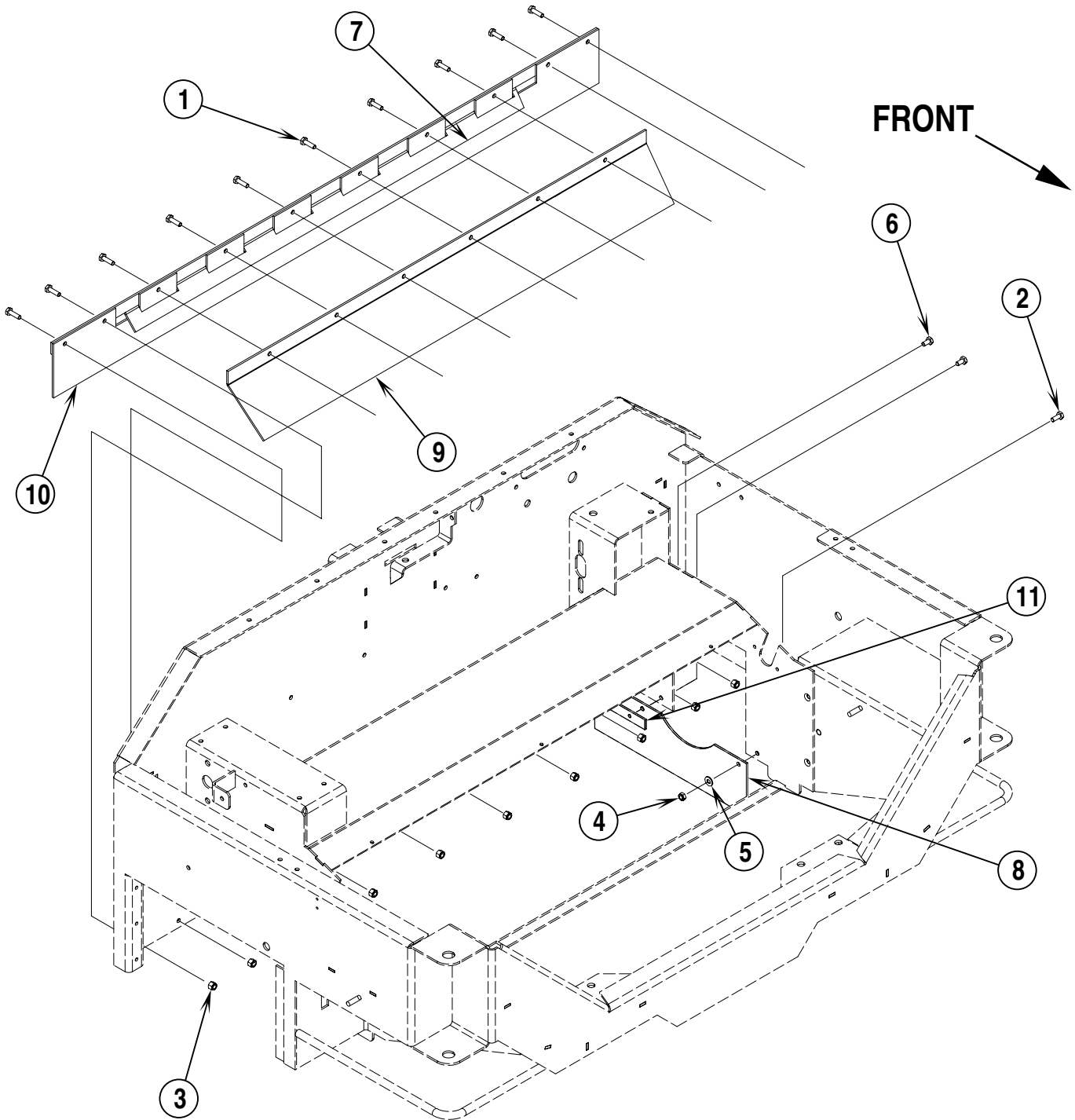




Item	Ref. No.	Qty	Description	Item	Ref. No.	Qty	Description
1	56002119	2	Scr, Soc Set Loc 1/4-20 x .50	26	56470636	1	Idler Lug
2	56002127	2	Scr, Hex Hd 3/8-16 x .75	27	56470728	1	Bushing 1.00 x 1.2 x .90
3	56002271	4	Scr, Hex Hd 3/8-16 x .88	28	56479430	2	Bearing, Ball
4	56002708	4	Nut, Hex Nyl Loc 1/4-20	29	56001954	1	Wsh, Flt SAE #10
5	56002760	4	Scr, Flt Phil 1/4-20 x .62		56459593	1	Broom Motor Assy. (Items 30-41)
6	56002769	7	Nut, Hex Nyl Loc 3/8-16	30	56001968	2	Scr, Hex Hd 1/2-13 x 1.50
7	56003005	1	Scr, Hex Hd 5/16-18 x 1.75	31	56002055	2	Wsh, Flt Std 3/8
8	56009086	1	Nut, Hex Jam 5/16-18	32	56002770	2	Nut, Hex Nyl Loc 1/2-13
9	56416086	2	Bearing, Hex Flange	33	56002948	1	Scr, Hex Hd Loc 1/4-20 x .75
10	56416465	1	Broom Adjuster	34	56002095	2	Scr, Hex Hd 3/8-16 x 1.50
11	56459573	1	Broom Housing Weldment	35	56009199	1	Wsh, Flt Brass .266 x 1.250 x .125
12	56505001	1	Broom	36	56455237	1	Hub
13	56001873	3	Scr, Hex Hd 3/8-16 x 2.50	37	56459570	1	Arm Weldment, Motor
14	56001939	2	Wsh, Flt SAE 5/16	38	56002769	2	Nut, Hex Nyl Loc 3/8-16
15	56002037	2	Scr, Hex Hd 5/16-18 x .88	39	56463666	1	Motor, Hydraulic
16	56228052	2	Bushing	40	56455997	1	Broom Motor Seal Guard
	56459596	1	Broom Arm Assy. (Items 17-29)	41	56458965	1	Arm Weldment
17	56002035	2	Scr, Hex Hd 5/16-18 x .62	42	56002208	2	Scr, Hex Hd 3/8-16 x .50
18	56002141	1	Wsh, Flt SAE 3/4	43	56459580	1	Motor, Actuator
19	56002862	1	Nut, Hex Nyl Loc 3/4-10	44	56459543	1	Actuator Nut
20	56009039	1	Scr, Hex Thd Form 10-24 x .50	45	56002701	1	Nut, Hex Nyl Loc 5/16-18
21	56320595	2	Bushing .32 x .50 x .28	46	56003005	1	Scr, Hex Hd 5/16-18 x 1.75
22	56330391	1	Cable	47	56392454	1	Yoke, Actuator
23	56416382	1	Broom Arm Nut Weldt	48	56418701	1	Block, Hex Clamp
24	56459534	1	Broom Arm Weldt	49	56458966	1	Collar
25	56459597	1	Hex Arm Weldt				

Item	Ref. No.	Qty	Description	Item	Ref. No.	Qty	Description
1	56001939	2	Wsh, Flt SAE 5/16	20	56002933	8	Scr, Hex Hd Loc1/4-20 x .38
2	56002037	2	Scr, Hex Hd 5/16-18 x .88	21	56459564	2	Cover
3	56002094	1	Scr, Hex Hd 5/16-18 x 1.50	22	56459577	1	Mount Weldment, Right
4	56002166	2	Pin, Cotter 3/32 x 3/4	23	56467073	2	Broom, Side
5	56002947	2	Scr, Hex Hd Loc 3/8-16 x 1.00	24	56467522	2	Brush Holder
6	56003268	1	Ring, Ret Ext Type E Reinf. .25 Dia	25	56469388	2	Motor, 12 Volt
7	56009033	10	Scr, Hex Thd Form 1/4-20 x .50	26	56459576	1	Mount Weldment, Left
8	56009086	2	Nut, Hex Jam 5/16-18	27	56002397	1	Scr, Hex Hd 1/4-20 X 2.75
9	56009213	2	Wsh, Flt .392 x 1.00 x .075	28	56002708	1	Nut, Hex Nyl Loc 1/4-20
10	56320595	2	Bushing .32 x .50 x .28	29	56009022	2	Washer
11	56455297	1	Pin Weldment	30	56157376	2	Grommet
12	56455299	1	Cylinder, Hydraulic	31	56002204	1	Scr, Hex Hd 3/8-16 X 3.00
13	56002098	2	Wsh, Flt SAE 1/4	32	56002271	3	Scr, Hex Hc 3/8-16 X .88
14	56459507	1	Lift Weldment	33	56002769	4	Nut, Hex Nyl Loc 3/8-16
15	56459516	2	Pin	34	56002839	1	Nut, Hex Nyl Loc 7/16-14
16	56459546	2	Arm Weldment	35	56355038	1	Caster Wheel
17	56001854	6	Scr, Hex Hd 1/4-20 x .50	36	56459493	1	Jack
18	56002098	6	Wsh, Flt SAE 1/4	37	56459496	1	Base Weldment
19	56002119	2	Scr, Soc Set Loc 1/4-20 x .50				



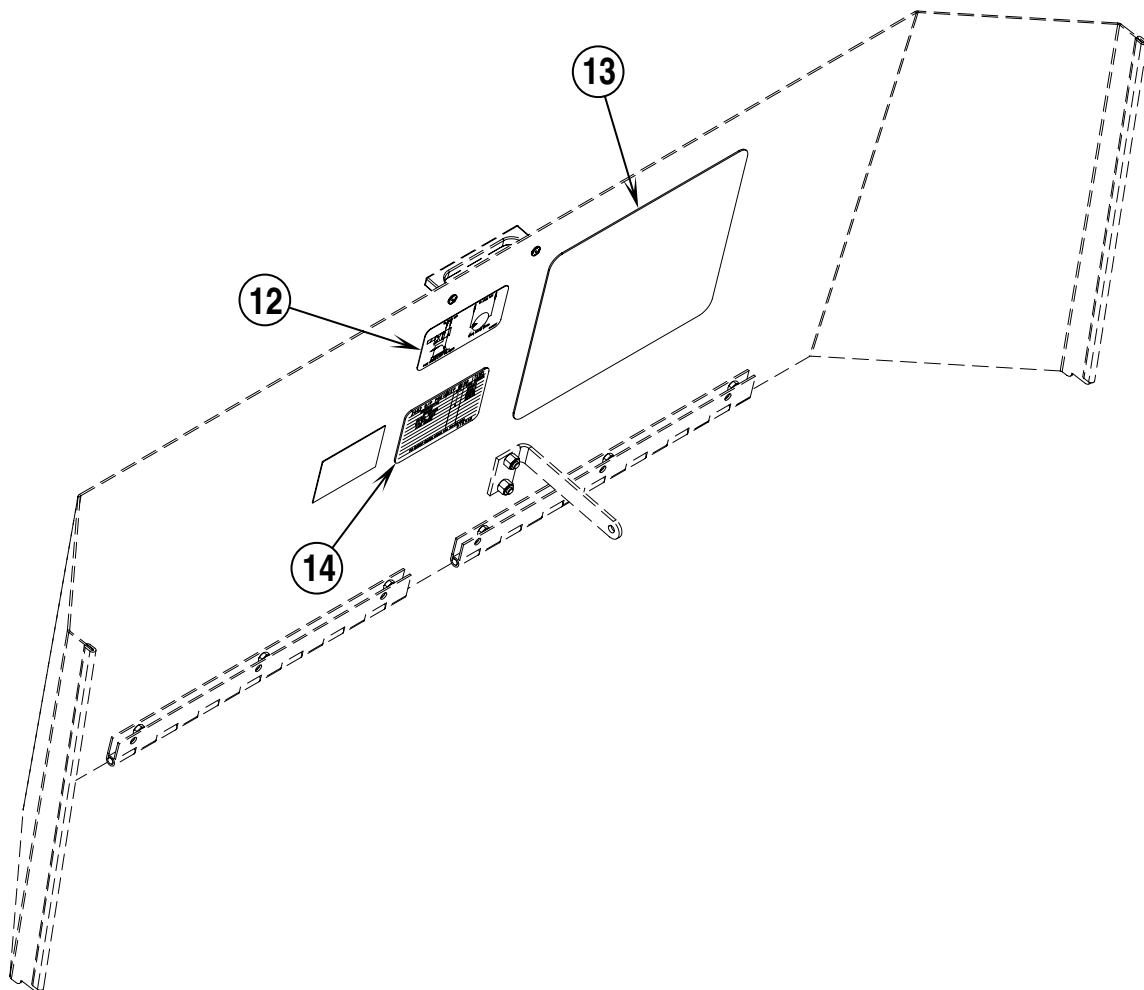


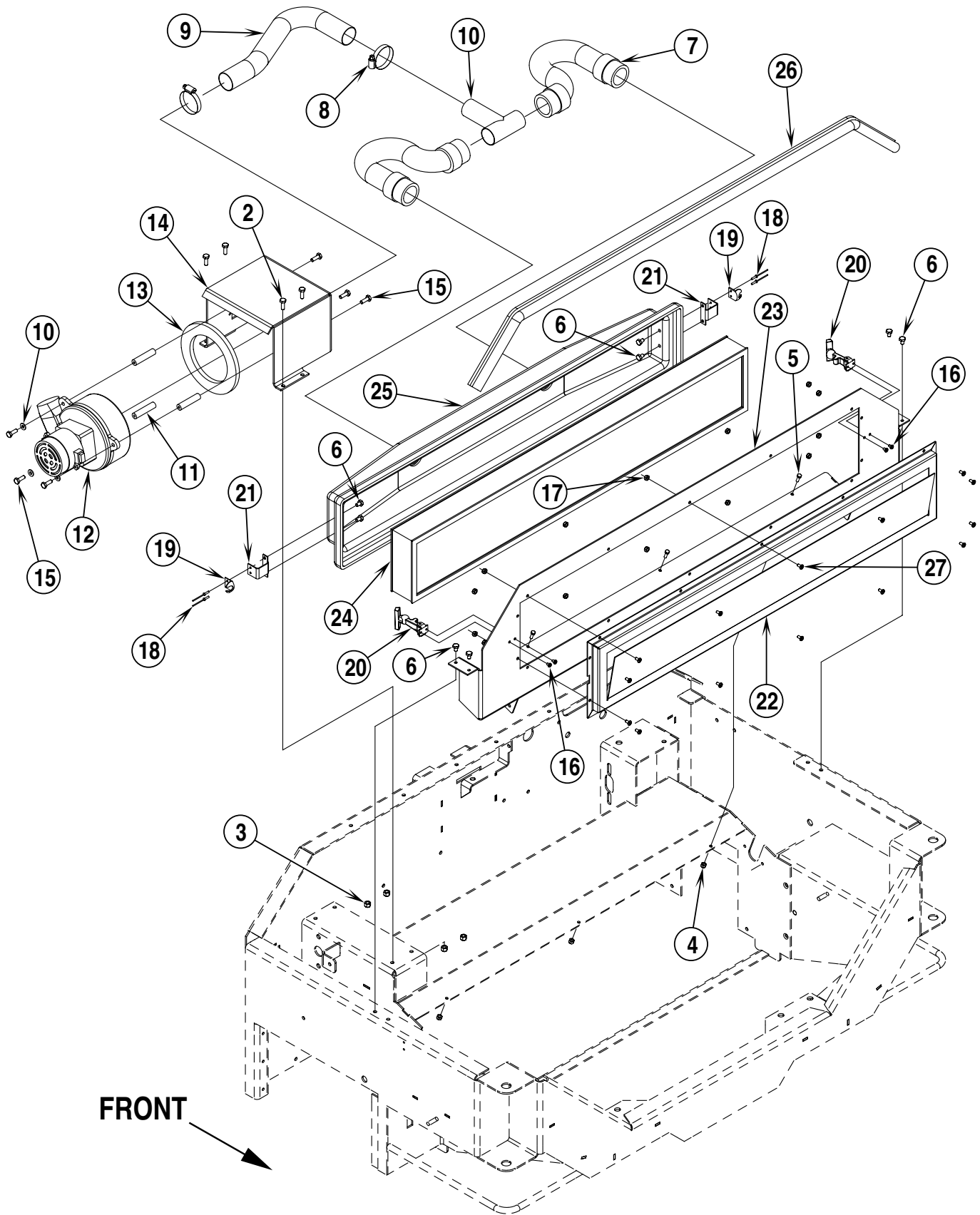
Item	Ref. No.	Qty	Description
1	56001821	10	Scr, Hex Hd 1/4-20 x .88
2	56001836	1	Scr, Hex Hd 1/4-20 x .62
3	56002708	10	Nut, Hex Nyl Loc 1/4-20
4	56002840	1	Nut, Hex Nyl Loc Thin 1/4-20
5	56009002	1	Wsh, Flt .266 x .906 x .060
6	56009033	2	Scr, Hex Thd Form 1/4-20 x .50
7	56459509	1	Mount, Skirt
8	56459526	1	Skirt, Left
9	56459528	1	Skirt, Rear
10	56459529	1	Skirt, Rear
11	56459541	1	Strap

Decal System

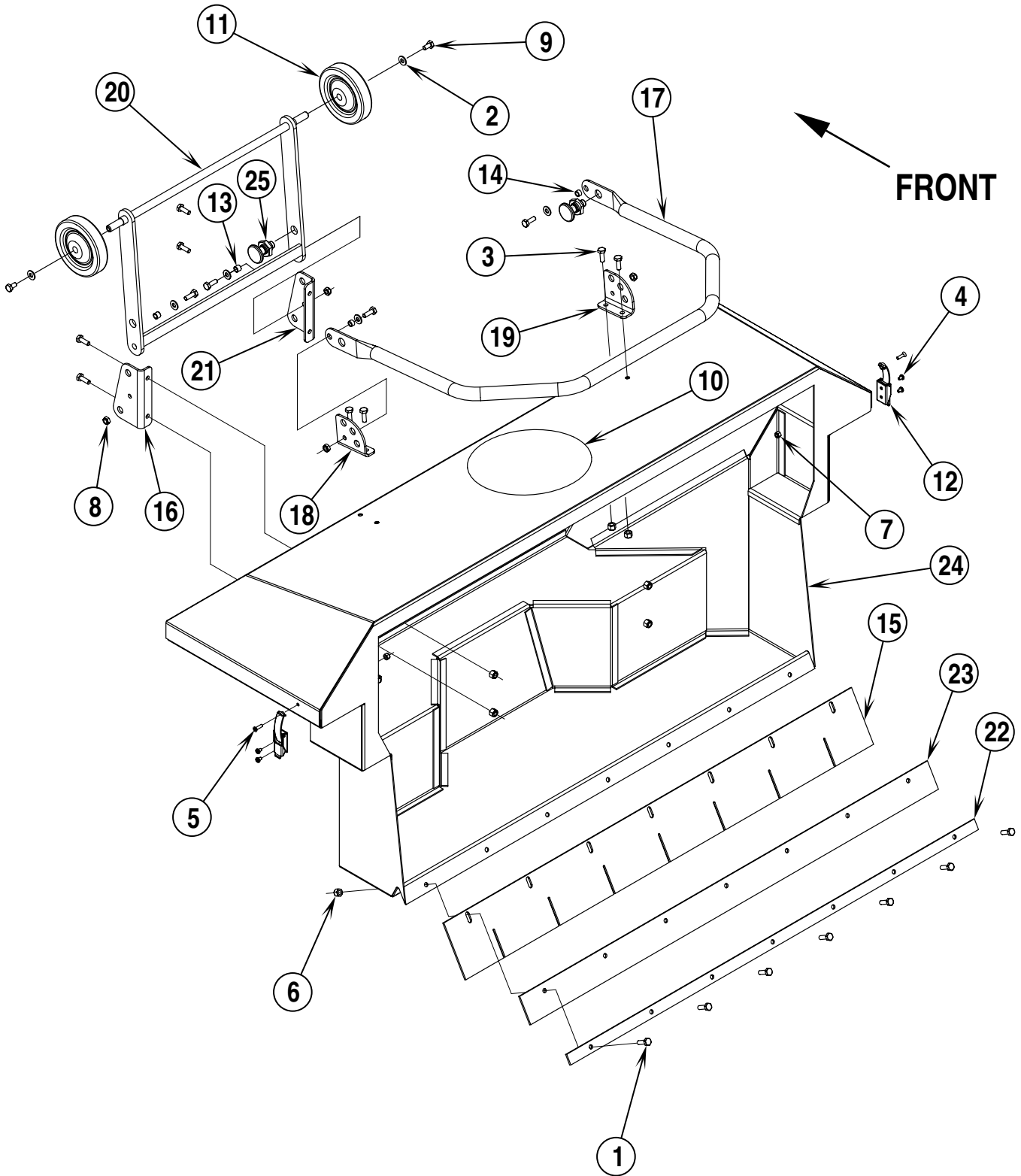
12	56016337	1	Decal, Hydraulic
13	56016335	1	Decal, Electrical
14	56016338	1	Decal, Wear Items Pre Sweep
*	56016339	1	Decal, Switch

* Not Shown

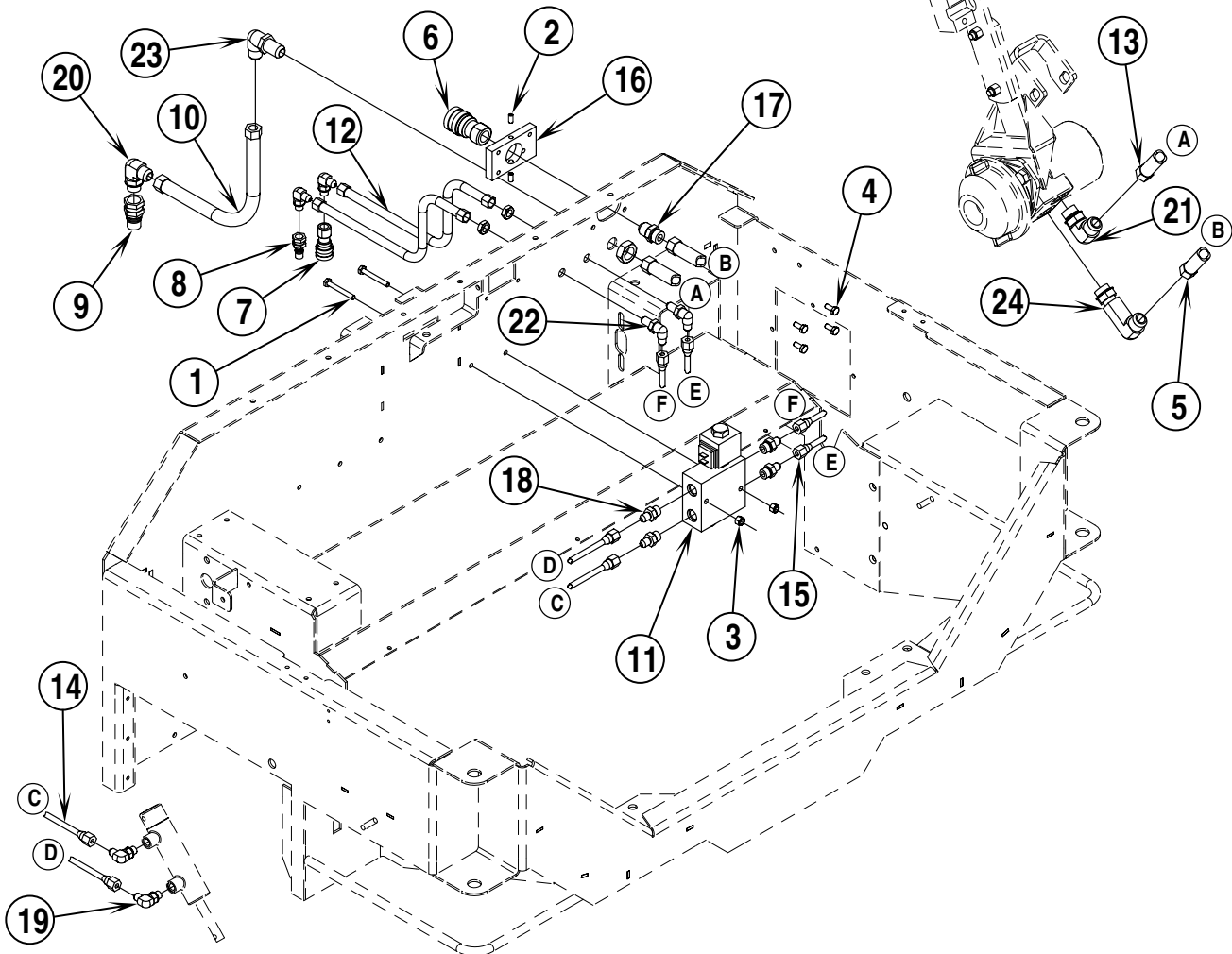
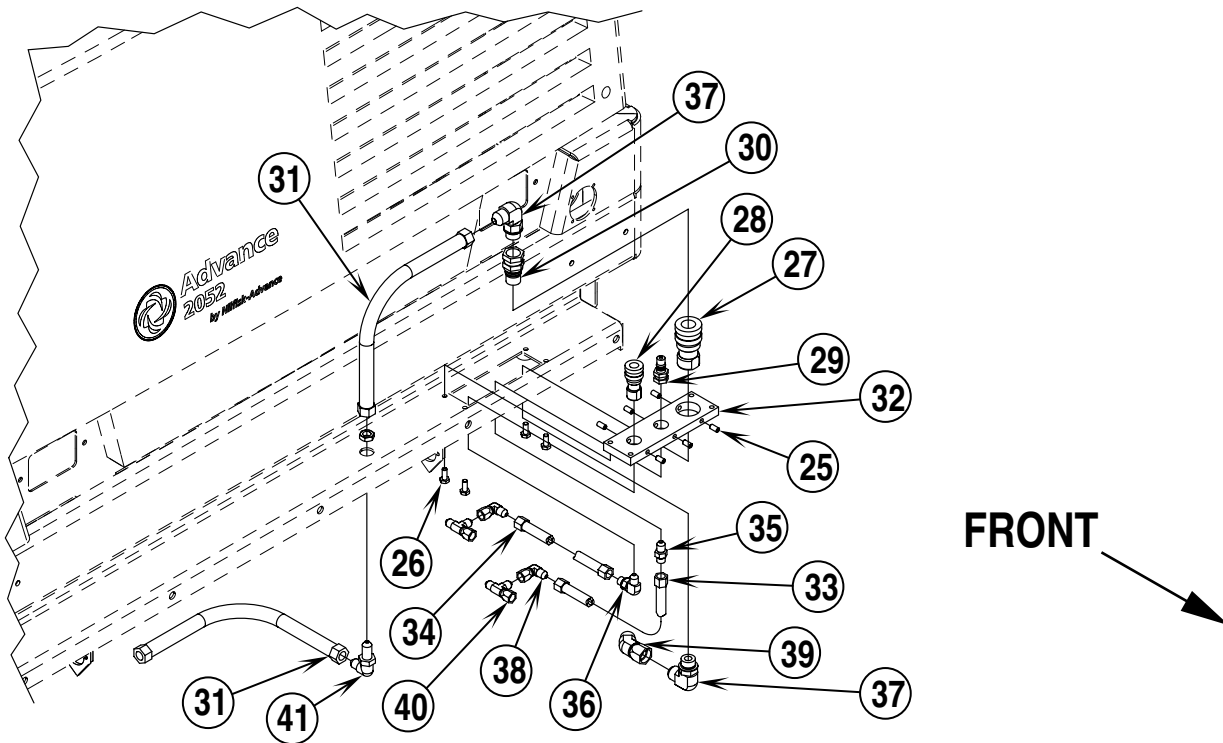




Item	Ref. No.	Qty	Description
1	56459492	1	Tee
2	56002155	4	Scr, Hex Hd 1/4-20 x .75
3	56002708	4	Nut, Hex Nyl Loc 1/4-20
4	56002768	3	Nut, Hex Nyl Loc 10-24
5	56002829	3	Scr, Hex Hd 10-24 x .62
6	56009019	8	Scr, Hex Thd Form 1/4-20 x .38
7	56209969	2	Hose, Vac 1.50
8	56329145	2	Clamp, Hose SAE #24
9	56372261	1	Hose, Vac .50
	56459587	1	Vacuum Housing Assembly (Items 10-15)
10	56002098	3	Wsh, Flt SAE 1/4
11	56409763	3	Spacer
12	56372505	1	Motor, Vac 24V
13	56385437	1	Gasket
14	56409762	1	Vacuum Housing Weld't
15	56002155	6	Scr, Hex Hd 1/4-20 x .75
16	56002534	4	Scr, Pan Phil Thd Form 8-32 x .25
17	56002832	14	Nut, Hex Nyl Loc-Thin 10-24
18	56003419	4	Rivet, Pop
19	56393559	2	Keeper
20	56393560	2	Latch Assembly
21	56409759	2	Mount Keeper
22	56459562	1	Retainer, Filter
23	56459584	1	Mount Weldment, Filter
24	56459589	1	Filter Assembly
25	56459590	1	Filter Cover Assembly
26	56483549	51"	Seal, Bubble
27	56002043	14	Scr, Pan Phil 10-24 x .38

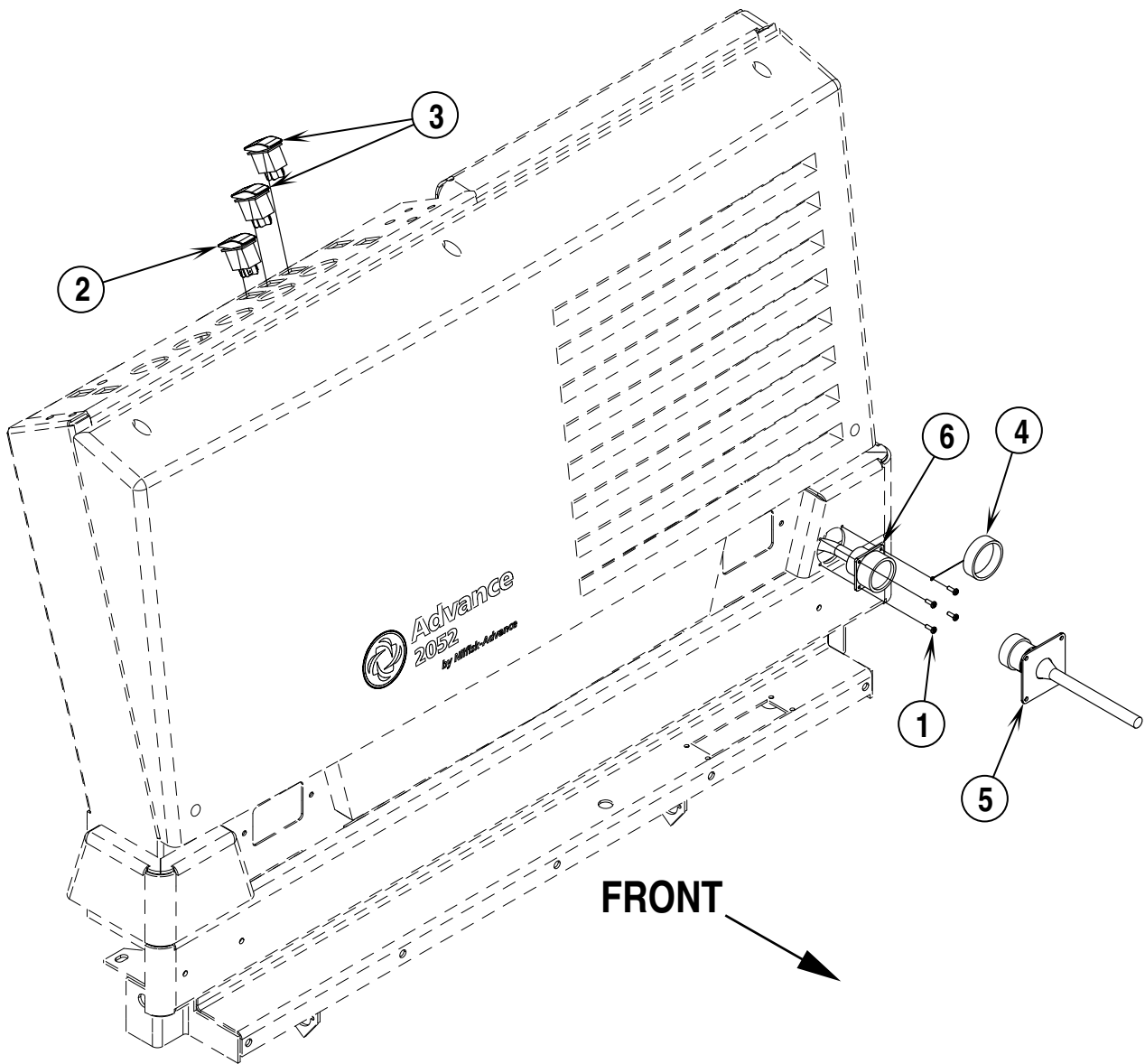
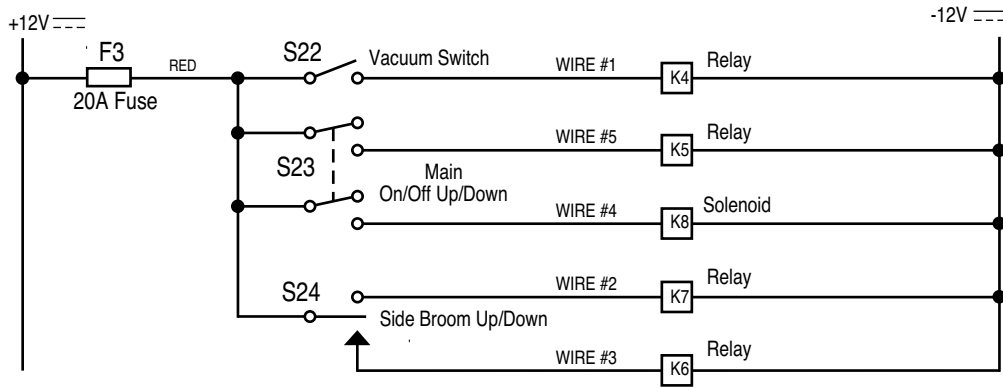


Item	Ref. No.	Qty	Description
	56459520	1	Hopper Assembly (Items 1-25)
1	56001821	7	Scr, Hex Hd 1/4-20 x .88
2	56002098	6	Wsh, Flt SAE 1/4
3	56002155	12	Scr, Hex Hd 1/4-20 X .75
4	56002534	4	Scr, Pan Phil Thd Form 8-32 X .25
5	56002554	2	Scr, Flt Phil 8-32 X .62
6	56002708	15	Nut, Hex Nyl Loc 1/4-20
7	56002808	2	Nut, Hex Hyl Loc 8-32
8	56002840	4	Nut, Hex Nyl Loc-Thin 1/4-20
9	56003039	2	Scr, Hex Hd Loc 1/4-20 X .50
10	56016336	1	Decal, Logo
11	56183552	2	Wheel
12	56220023	2	Latch
13	56368989	2	Bushing
14	56379298	2	Bushing
15	56459513	1	Skirt, Hopper
16	56459517	1	Support, Rollout Left
17	56459518	1	Handle
18	56459522	1	Support, Handle Right
19	56459523	1	Support, Handle Left
20	56459536	1	Rollout Weldment
21	56459538	1	Support, Rollout Right
22	56459578	1	Strap
23	56458980	1	Gasket
24	56458992	1	Hopper Weldment
25	56578214	2	Lock Assembly



Item	Ref. No.	Qty	Description	Item	Ref. No.	Qty	Description
1	56001874	2	Scr, Hex Hd 1/4-20 x 2.00	22	56900401	2	Elbow, 90 Bulkhead Union
2	56002119	2	Scr, Soc Set Loc 1/4-20 x .50	23	56900404	1	Elbow, 90 Bulkhead Union
3	56002708	2	Nut, Hex Nyl Loc 1/4-20	24	56900525	1	Elbow, 90 Long O-Ring
4	56002922	4	Scr, Hex Hd Loc 1/4-20 x .62		56459027	1	Hydraulic Kit (Items 25-41)
5	56459017	1	Hose Assy	25	56002119	6	Scr, Soc Set Loc 1/4-20 x .50
6	56459019	1	Coupler, Hydraulic	26	56002922	4	Scr, Soc Set Loc 1/4-20 x .62
7	56459021	1	Coupler, Hydraulic	27	56459019	1	Coupler, Hydraulic
8	56459022	1	Nipple, Hydraulic	28	56459021	1	Coupler, Hydraulic
9	56459023	1	Nipple, Hydraulic	29	56459022	1	Nipple, Hydraulic
10	56459024	1	Hose Assy	30	56459023	1	Nipple, Hydraulic
11	56459236	1	Valve, Control	31	56459024	2	Hose Assy
12	56492676	2	Hose Assy	32	56459497	1	Mount, Hydraulic
13	56458962	1	Hose Assy	33	56462404	1	Hose Assy
14	56458963	2	Hose Assy	34	56462417	1	Hose Assy
15	56458964	2	Hose Assy	35	56900001	1	Connector, O-Ring
16	56458984	1	Mount, Hydraulic	36	56900101	1	Elbow, 90 O-Ring
17	56900004	1	Connector, O-Ring	37	56900104	2	Elbow, 90 O-Ring
18	56900011	4	Connector, O-Ring	38	56900301	2	Elbow, 90 W/Nut
19	56900101	4	Elbow, 90 O-Ring	39	56900324	1	Elbow, 45 W/Nut
20	56900104	1	Elbow, 90 O-Ring	40	56900341	2	Tee, Run W/Nut
21	56900105	1	Elbow, 90 O-Ring	41	56900401	1	Elbow, 90 Bulkhead Union

2052G/P Presweep



Item	Ref. No.	Qty	Description
F3	56900755	1	20A Fuse
K4	56491862	1	Relay
K5	56491862	1	Relay
K6	56491862	1	Relay
K7	56491862	1	Relay
K8	56459567	1	Solenoid
S22	56393312	1	Switch, Rocker
S23	56393312	1	Switch, Rocker
S24	56324272	1	Switch, Rocker
1	56002423	4	Scr, Pan Phil Thd Form 8-32 x .50
2	56324272	1	Switch, Rocker
3	56393312	2	Switch, Rocker
4	56459012	1	CPC Cover
5	56459013	1	Wiring Harness
6	56459014	1	Cord Assembly
*	56389265	1	Diode Assembly

* Not Shown