



Electronic Service Manuals

This electronic document is provided as a service to our customers. We do not create the contents of the information contained in this document. Should you have detailed questions pertaining to the information contained in this document, you may contact Michco, or the manufacturer which provided the original information in this electronic deliverable. Michco's only part in this electronic deliverable was the electronic assembly process. By providing this manual on line we are not guaranteeing parts availability.

You may contact Michco through the following methods:

Phone (517) 484-9312 or (800) 331-3339

2011 N. High St. -- Lansing, Michigan -- 48906

Fax: (517) 484-9836

Email: CustServe@Michco.com

Web site: www.Michco.Com

Parts Web site: www.FloorMachineParts.Com

Order Parts on Line at:

www.FloorMachineParts.Com

Directly to Parts & Service:

By Email: **Shop@Michco.com**

By Fax: (517) 702-2041

By Voice: Use numbers above.

Serving the Cleaning Industry Since 1922

Notice: All copyrighted material remains property of original owners, all trademarks are property of respective owners. Manuals are subject to Manufacturer's reproduction limitations. Originals or reproductions were provided by manufacturers through a request. We make no warranty as to the correctness of information provided in this document and you assume all risk. By placing these manuals on line we are not declaring our corporation to be an manufacturer authorized dealer or provider, please check our web site for authorized manufacturers we represent.

**HYDRO-RETRIEVER
MODEL: 5000B
WITH HB CONTROL**

SERIAL NO. 840793

FORM NO. 042003-1

FEBRUARY 1982

PARTS LIST



**ADVANCE
MACHINE COMPANY**

**INTERNATIONAL HEADQUARTERS, Spring Park, Minnesota 55384 USA
EUROPE, 4 Rue Jean Engling, L-1466 Luxembourg
CANADA, 1295 Crestlawn Drive, Mississauga, Ontario L4W 1A9**



INSERT PAGE FOR 5000B RETRIEVER PARTS LIST FORM NO.042 003-1

Outer panels used on your 5000B Retriever have been redesigned with a new paint finish. Use these part numbers to order if your machine has Serial # 946314 or later.

Page 1	Item #1	453 170	Cover,Recovery Tank
	#2	453 182	Panel Assembly,Left
	#3	453 166	Panel, Battery Top
	#6	453 148	Top Panel,Solution Tank
	#7	453 208	Inside Panel w/Decals
	#8	453 136	Plate,Front Panel
	#9	453 133	Panel Assembly w/Decals
	#10	453 110	Front Panel
	#19	453 124	Panel
	#20	453 128	Hinge,Front Door Panel
	#21	453 131	Front Door Panel w/Decal
	#26	453 134	Panel, Access
	#27	453 212	Panel w/Decal
	#28	453 154	Panel, Rear Seat
	#29	453 178	Hinge,Side Panels
	#31	453 184	Panel Assembly,Right
	*	453 202	Door,Right Corner Front
	*	453 206	Door,Left Corner Front
Page 3	#2	453 158	Seat Panel
	#3	453 160	Hinge,Seat
	#20	453 104	Cover,Solution Tank
	#32	453 142	Panel,Right Side Front
	#52	453 112	Panel, Left
		453 116	Panel, Right
	#72	453 170	Cover,Recovery Tank
	#88	453 214	Cover,w/Decals
	*	453 032	Chassis Weldment
	*	453 118	Panel Weldment,Left Bumper
	*	453 122	Panel Weldment,Right Bumper
	*	453 140	Side Panel, Solution Tank
Page 19	#30	453 080	Recovery Tank Ass'y.(Replacement)

* Parts not called out in Parts List.

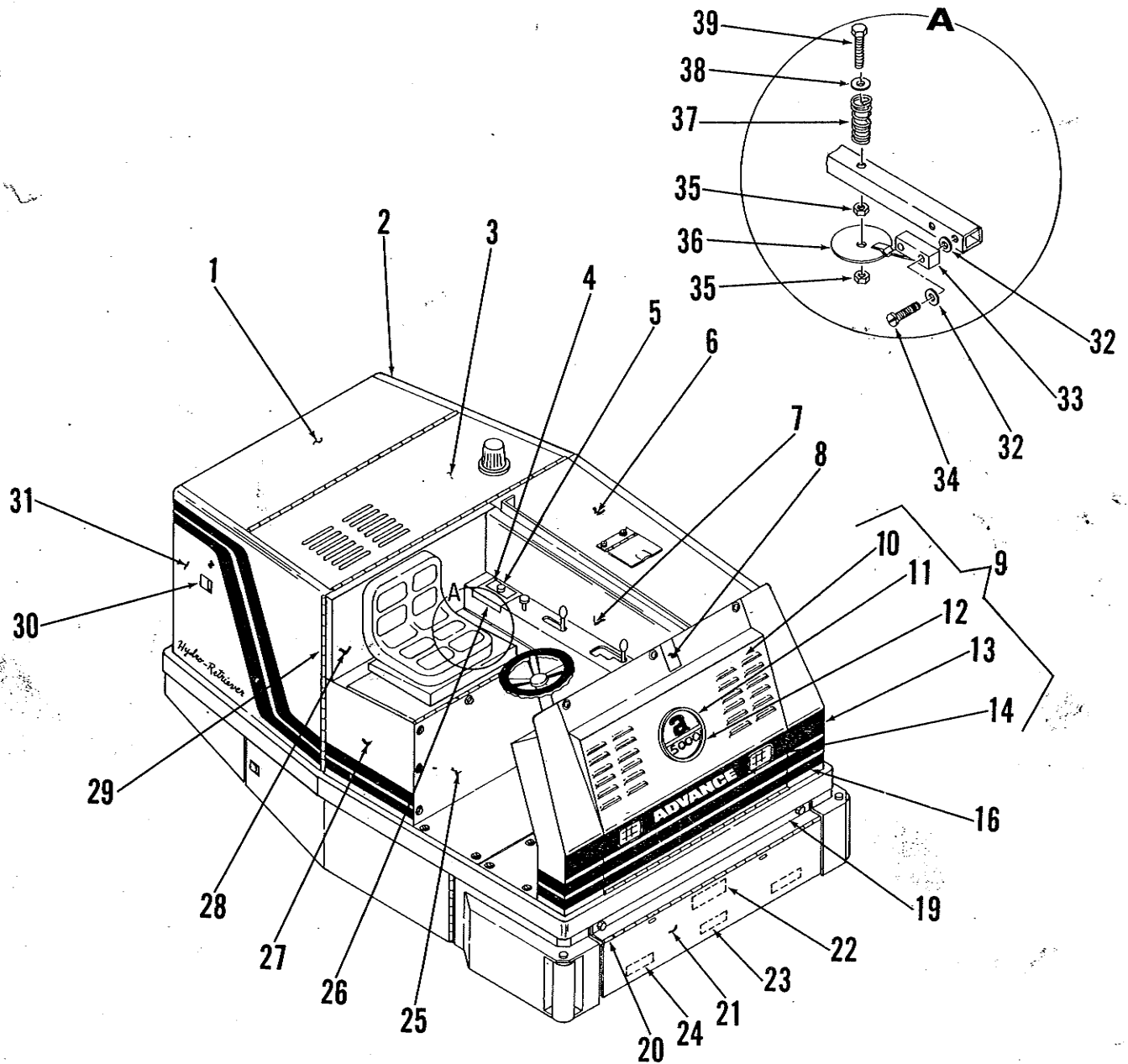
CONTENTS

ILLUSTRATION and PARTS LIST	PAGE
HOUSING ASSEMBLY -----	1
HOUSING ASSEMBLY -----	2, 3
TRANSAXLE and BRAKE ASSEMBLY -----	4, 5
REAR WHEEL and STEERING ASSEMBLY -----	6, 7
BROOM HOUSING ASSEMBLY -----	8, 9
BRUSH DRIVE ASSEMBLY-----	10, 11
FRONT and SIDE BLADE ASSEMBLY -----	12, 13
SQUEEGEE ASSEMBLY -----	14, 15
SOLUTION TANK ASSEMBLY -----	16, 17
RECOVERY TANK and VACUUM ASSEMBLY -----	18, 19
SPEED CONTROL and BLOWER ASSEMBLY -----	20, 21
ELECTRICAL PANEL ASSEMBLY -----	22
ELECTRICAL PANEL ASSEMBLY -----	23
ELECTRICAL SCHEMATIC -----	24, 25

PARTS ORDERING INFORMATION

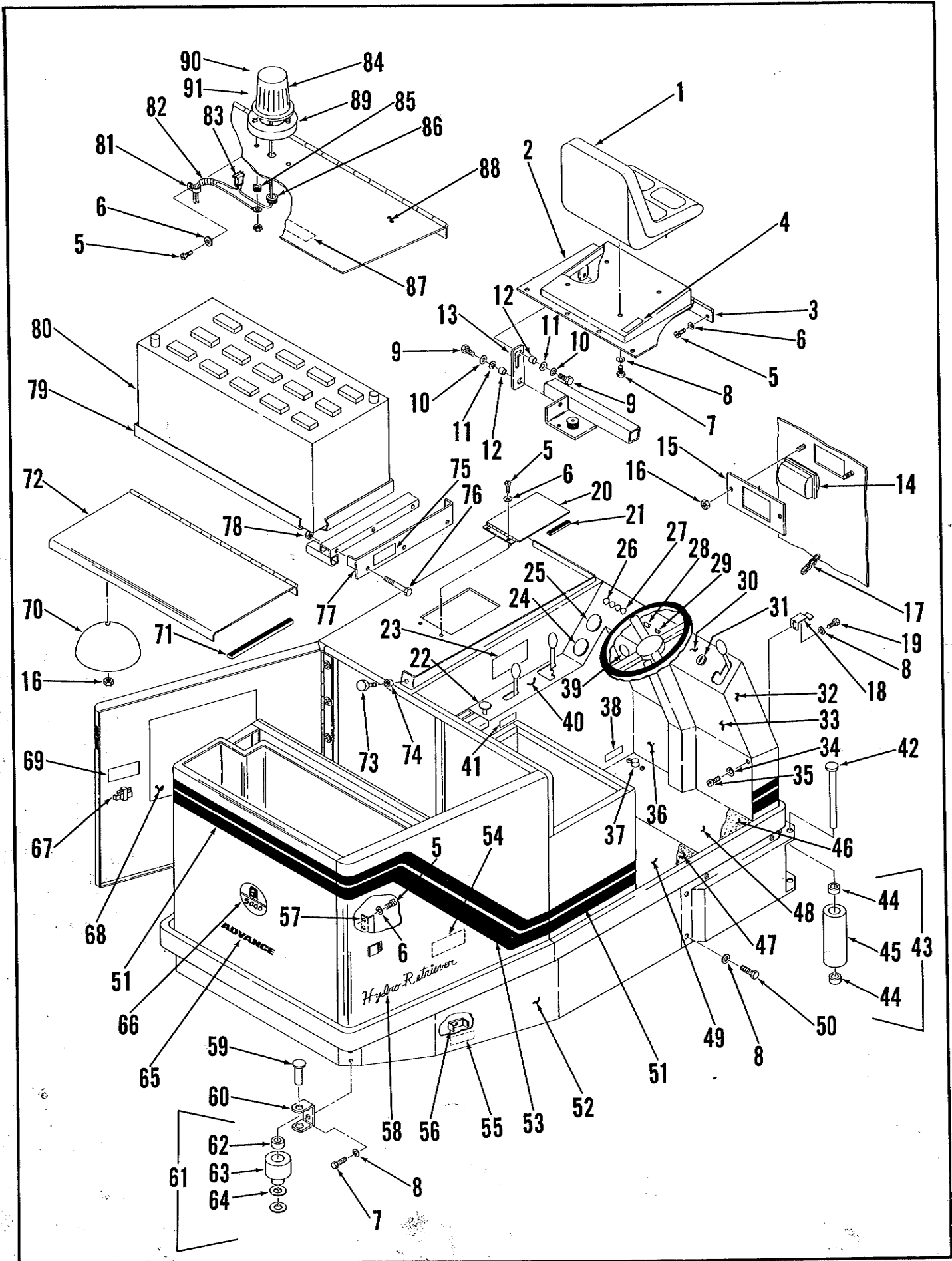
WHEN ORDERING REPAIR PARTS OR CORRESPONDING ABOUT YOUR MACHINE ALWAYS SPECIFY PART NUMBER, SERIAL NUMBER AND MODEL.

MODEL NO.	SERIAL NO.
-----------	------------



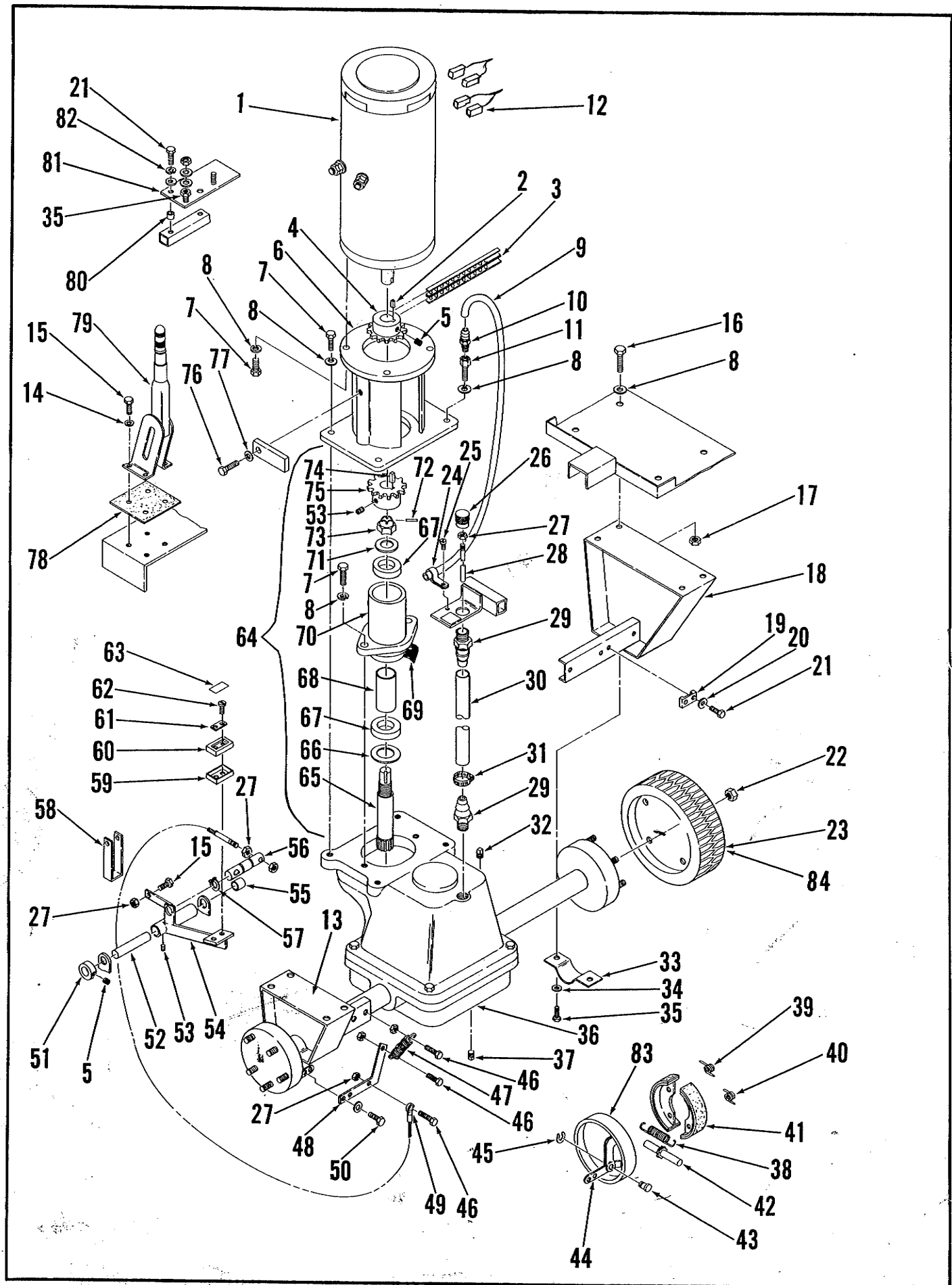
ITEM	PART NO	QTY	DESCRIPTION	ITEM	PART NO	QTY	DESCRIPTION
1	455 066	1	COVER	22	025 360	2	DECAL, "CAUTION"
2	455 100	1	PANEL ASSEMBLY, LEFT	23	025 366	1	DECAL, "CAUTION"
3	455 054	1	PANEL	24	025 336	1	DECAL, "FLOW CONTROL"
4	025 357	1	DECAL, "CAUTION"	25	455 024	1	PANEL
5	440 817	1	KNOB	26	454 928	1	PANEL, ACCESS
6	455 000	1	PANEL	27	455 004	1	PANEL W/DECAL
7	454 998	1	PANEL W/DECAL	28	455 006	1	PANEL, REAR SEAT
8	454 982	1	PLATE	29	455 102	2	HINGE
9	454 962	1	PANEL ASSEMBLY - FRONT C/O	30	761 160	4	LATCH, PADDLE
10	454 792	1	PANEL, FRONT	31	455 101	1	PANEL ASSEMBLY, RIGHT
11	024 958	1	DECAL, "ADVANCE"	32		4	WASHER, SHAKEPROOF #6
12	025 333	1	DECAL, "5000" INSERT	33	171 225	1	SWITCH, SNAP SPST N.C.
13	025 312	1	DECAL, GRILL	34		2	SCREW, PAN HD. #6-32 x 1"
14	454 528	2	HEAD LAMP, 12V	35		3	NUT, HEX 1/4-20
15	454 447	2	BRACKET, HEAD LAMP (NOT SHOWN)	36	455 045	1	WASHER
16	025 137	2	STRIP	37	745 695	1	SPRING, COMPRESSION
17	530 703	A/R	TAPE (NOT SHOWN)	38		1	WASHER, FLAT 1/4
18		8	NUT, WHIZ (NOT SHOWN)	39		1	SCREW, HEX HD. 1/4-20 x 2"
19	454 877	1	PANEL				
20	454 880	1	HINGE				
21	454 884	1	PANEL, DOOR W/DECAL				

HOUSING ASSEMBLY



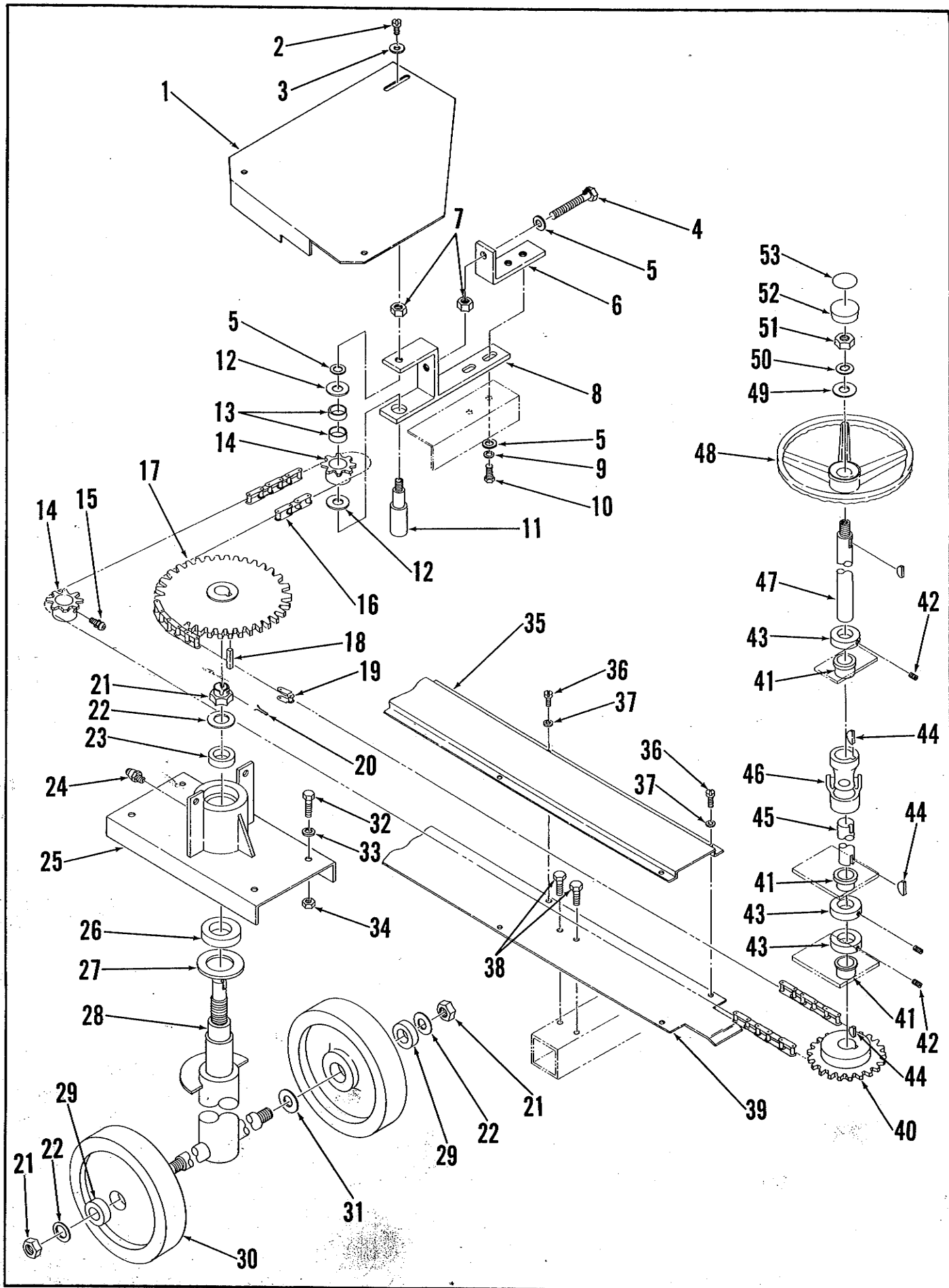
HOUSING ASSEMBLY

ITEM	PART NO	QTY	DESCRIPTION	ITEM	PART NO	QTY	DESCRIPTION
1	448 080	1	SEAT	74		2	NUT, HEX 1/4-20
2	455 027	1	PANEL, SEAT	75	030 080	2	DECAL, "HANDS CLEAR"
3	455 048	1	HINGE, SEAT	76		6	SCREW, HEX HD. 5/16-18 x 2 3/4
4	025 351	1	DECAL, SEAT ACCESS	77	454 937	2	BRACKET, BATTERY
5		32	SCREW, PAN HD. #10-24 x 1/2	78		6	NUT, HEX 5/16-18
6		24	WASHER, SHAKEPROOF #10	79	454 401	1	TRAY, BATTERY
7		8	SCREW, HEX HD. 3/8-16 x 1"	80	454 400	1	BATTERY
8		14	WASHER, LOCK 3/8	81	220 507	3	CLAMP, CABLE
9		4	SCREW, HEX HD. 1/4-20 x 3/4	82	118 176	1	WRAP, WIRE
10		2	WASHER, SHAKEPROOF 1/4	83	469 382	1	TERMINAL, 1/4" INSUL. TAB
11	163 767	4	WASHER, SPRING	84	448 660	1	LIGHT, WARNING
12	163 872	4	BUSHING	85	321 559	2	GROMMET
13	455 051	1	LATCH	86	570 206	1	GROMMET
14	454 528	2	HEADLIGHT	87	025 348	1	DECAL, CAUTION
15	454 447	2	BRACKET, HEADLIGHT	88	455 055	1	PANEL, W/DECAL
16		7	NUT, WHIZ 1/4-20	89	448 664	1	SPACER, WARNING LIGHT
17	454 980	1	CHAIN, FRONT PANEL	90	448 666	1	BULB, FLASHER
18	454 886	2	LATCH, FRONT PANEL	91	448 670	1	LENS, AMBER
19		2	SCREW, HEX HD. 3/8-16 x 1/2				
20	449 897	1	COVER				
21	479 854		GASKET, 1 FT.				
22	454 590	1	DISCONNECT ASSEMBLY				
23	025 396	1	DECAL, "CAUTION"				
24	478 361	1	METER, HOUR				
25	448 662	1	METER, VOLT				
26	454 525	3	LIGHT, PILOT				
27	454 422	1	LIGHT, PILOT				
28	207 075	1	SWITCH, LIGHT				
29	468 359	1	SWITCH, BRUSH				
30	025 303	1	DECAL, CONTROL PANEL				
31	441 538	1	SWITCH, KEY				
32	454 994	1	PANEL				
33	455 015	1	PANEL				
34	449 340	52	WASHER, FINISHING				
35		52	SCREW, OVAL HD. #10-24 x 1/2				
36	455 018	1	PANEL				
37	441 555	1	SWITCH, HORN				
38	025 393	1	DECAL, PARKING BRAKE				
39	025 498	1	NAME PLATE				
40	025 306	1	DECAL, CONTROL PANEL				
41	025 363	2	DECAL, "CAUTION"				
42	454 889	2	PIN				
43	456 855	2	BUMPER ASSEMBLY FRONT C/O				
44	362 352	2	BEARING, BALL				
45	456 857	1	BUMPER				
46	454 955	1	MAT, FLOOR				
47	454 958	1	MAT, FLOOR				
48	454 943	1	PANEL, FLOOR				
49	454 952	1	PANEL, FLOOR				
50		10	SCREW, HEX HD. 3/8-16 x 3/4				
51	025 137	4	DECAL, STRIPE				
52	454 802	1	PANEL, LEFT				
	454 817	1	PANEL, RIGHT				
53	025 321	1	STRIPE, RIGHT PANEL				
	025 324	1	STRIPE, LEFT PANEL				
54	025 345	2	DECAL, FILTER				
55	025 378	1	DECAL, BROOM				
56	455 108	4	CLAMP				
57	455 105	2	LATCH, STRIKE				
58	025 327	2	DECAL, "HY-DRO RETRIEVER"				
59	454 916	2	PIN				
60	454 913	2	BRACKET, BUMPER				
61	454 906	2	BUMPER ASSEMBLY, REAR EA. C/O				
62	362 352	2	BEARING, BALL				
63	454 904	1	BUMPER				
64		2	WASHER, FLAT 3/4				
65	016 519	1	DECAL, ADVANCE				
66	025 330	1	DECAL, "5000"				
67	761 160	4	LATCH, PADDLE				
68	025 414	1	DECAL, "WIRING"				
69	025 342	1	DECAL, "DRAIN VALVE"				
70	454 719	1	DEFLECTOR				
71	449 227		GASKET, 8 FT.				
72	455 066	1	COVER				
73	386 312	1	BUMPER, STOP				



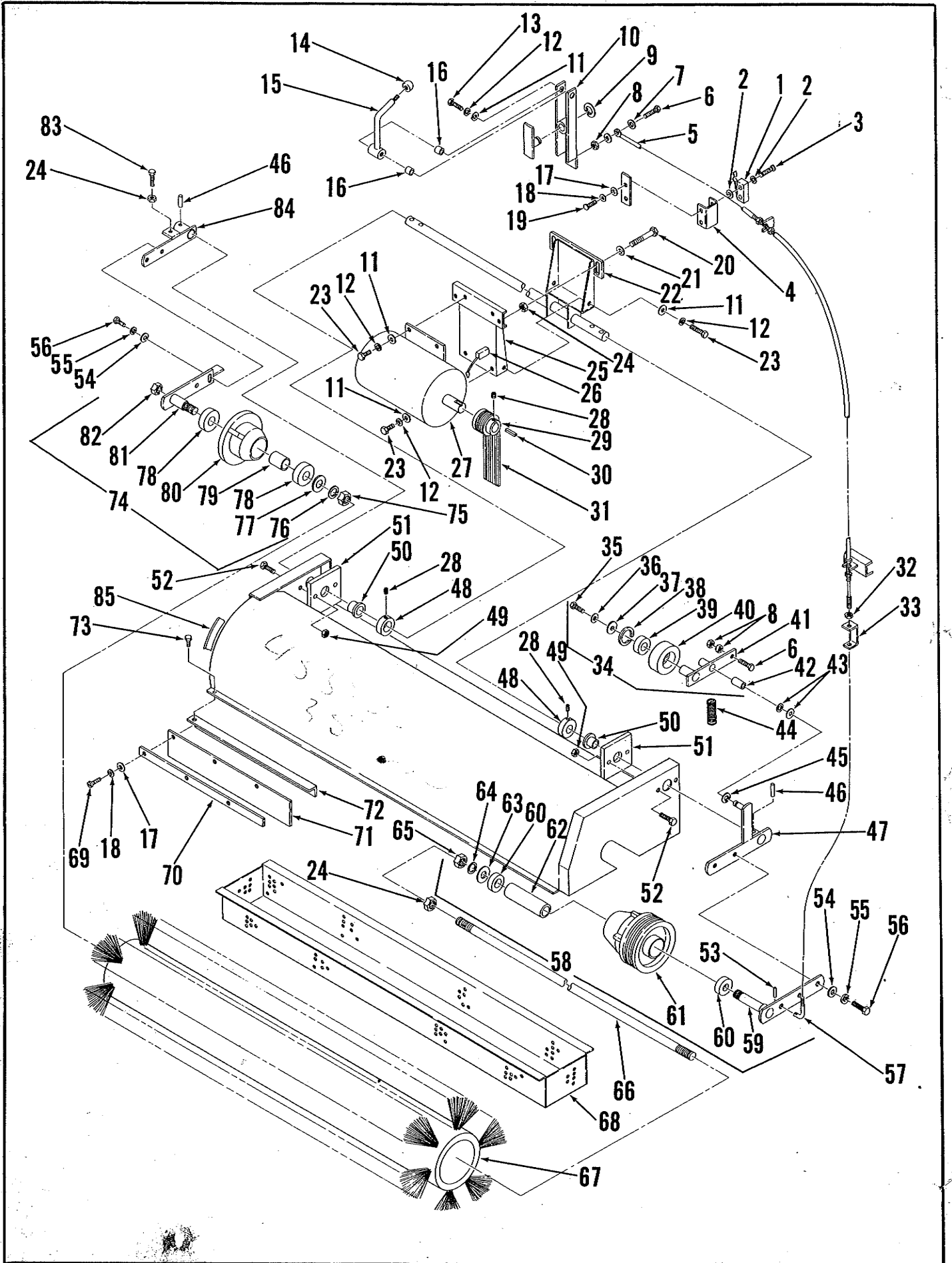
TRANSAXLE and BRAKE ASSEMBLY

ITEM	PART NO	QTY	DESCRIPTION	ITEM	PART NO	QTY	DESCRIPTION
1	454 484	1	MOTOR 36V 4 H.P.	76		2	SCREW, HEX HD. 1/2-13 x 1"
2	443 719	1	KEY, SQUARE 3/16 x 1 5/16 LG.	77	367 214	2	WASHER
3	480 820	1	CHAIN	78	454 956	1	MAT, FLOOR
4	453 410	1	SPROCKET	79	448 200	1	LEVER ASSEMBLY
5		4	SCREW, SET 5/16-18 x 5/16	80	109 037	2	BUSHING
6	454 490	1	ADAPTOR, MOTOR	81	454 444	1	BLOCK, TERMINAL
7		17	SCREW, HEX HD. 3/8-16 x 1"	82		2	WASHER, LOCK 1/4
8		10	WASHER, LOCK 3/8	83	453 440	2	SHIELD, DUST
9	471 052	1	TUBE	84	453 458	2	TIRE, 14" (TIRE ONLY)
10	477 522	1	BARB				
11	453 487	1	SCREW				
12	448 729	SET	BRUSH, MOTOR (4 SETS OF 2)				
13	453 435	1	BRACKET, RIGHT				
14		6	WASHER, FLAT 1/4				
15		7	SCREW, HEX HD. 1/4-20 x 3/4				
16		8	SCREW, HEX HD. 3/8-16 x 3/4				
17		8	NUT, WHIZ 3/8				
18	453 430	1	BRACKET, LEFT				
19	477 884	4	CLAMP, CABLE				
20		8	WASHER, SHAKEPROOF 1/4				
21		10	SCREW, HEX HD. 1/4-20 x 1"				
22	453 469	10	NUT, LUG				
23	453 405	2	WHEEL ASSEMBLY 14"				
24	342 319	1	CLAMP, TUBE				
25		1	SCREW				
26	453 483	1	KNOB				
27		10	NUT, HEX 1/4-20				
28	453 478	1	ROD				
29	453 485	2	BARB				
30	453 475	1	TUBE				
31	112 771	1	CLAMP, HOSE				
32	106 046	1	PLUG, PIPE 1/8				
33	453 472	2	STRAP				
34		4	WASHER, SHAKEPROOF 5/16				
35		7	SCREW, HEX HD. 5/16-18 x 1"				
36	453 413	1	HYDROSTATIC AXLE				
37	113 182	1	PLUG, PIPE 1/2				
38	453 439	1	SPRING, EXTENSION				
39	453 437	1	SPRING (RED)				
40	453 433	1	SPRING (GREEN)				
41	453 421	1	SHOE ASSEMBLY, BRAKE				
42	453 415	1	ADJUSTER ASSEMBLY				
43	453 429	1	PIN				
44	453 425	1	LEVER ASSEMBLY				
45	453 427	1	RETAINER				
46		6	SCREW, HEX HD. 1/4-20 x 7/8				
47	448 112	2	SPRING, EXTENSION				
48	453 460	1	LEVER				
49	468 460	2	CABLE ASSEMBLY, BRAKE				
50		4	SCREW, HEX HD. 5/16-18 x 3/4				
51	367 354	2	COLLAR, SHAFT				
52	453 958	1	ROD				
53		2	SCREW, SET 1/4-20 x 1/4				
54	453 950	1	LEVER, BRAKE PEDAL				
55	478 781	2	BEARING				
56	453 966	1	PIN				
57	468 834	2	RING, RETAINING				
58	453 964	1	STRAP				
59	365 083	1	CUP, PEDAL				
60	365 082	1	PAD, RUBBER				
61	365 081	1	PLATE				
62		2	SCREW, FLAT HD. 1/4-20 x 3/4				
63	025 122	1	DECAL, BRAKE				
64	453 420	1	SHAFT HOUSING ASSEMBLY C/O				
65	453 406	1	SHAFT				
66	378 399	1	RING, RETAINING				
67	158 178	2	BEARING, BALL				
68	453 423	1	SPACER				
69	453 419	1	GASKET				
70	453 401	1	HOUSING, SHAFT				
71		1	WASHER, FLAT 7/8				
72		1	PIN, COTTER				
73	110 817	1	NUT, CASTLE 7/8-1/4				
74	740 168	1	KEY, SQUARE .18 x 1"				
75	453 409	1	SPROCKET				



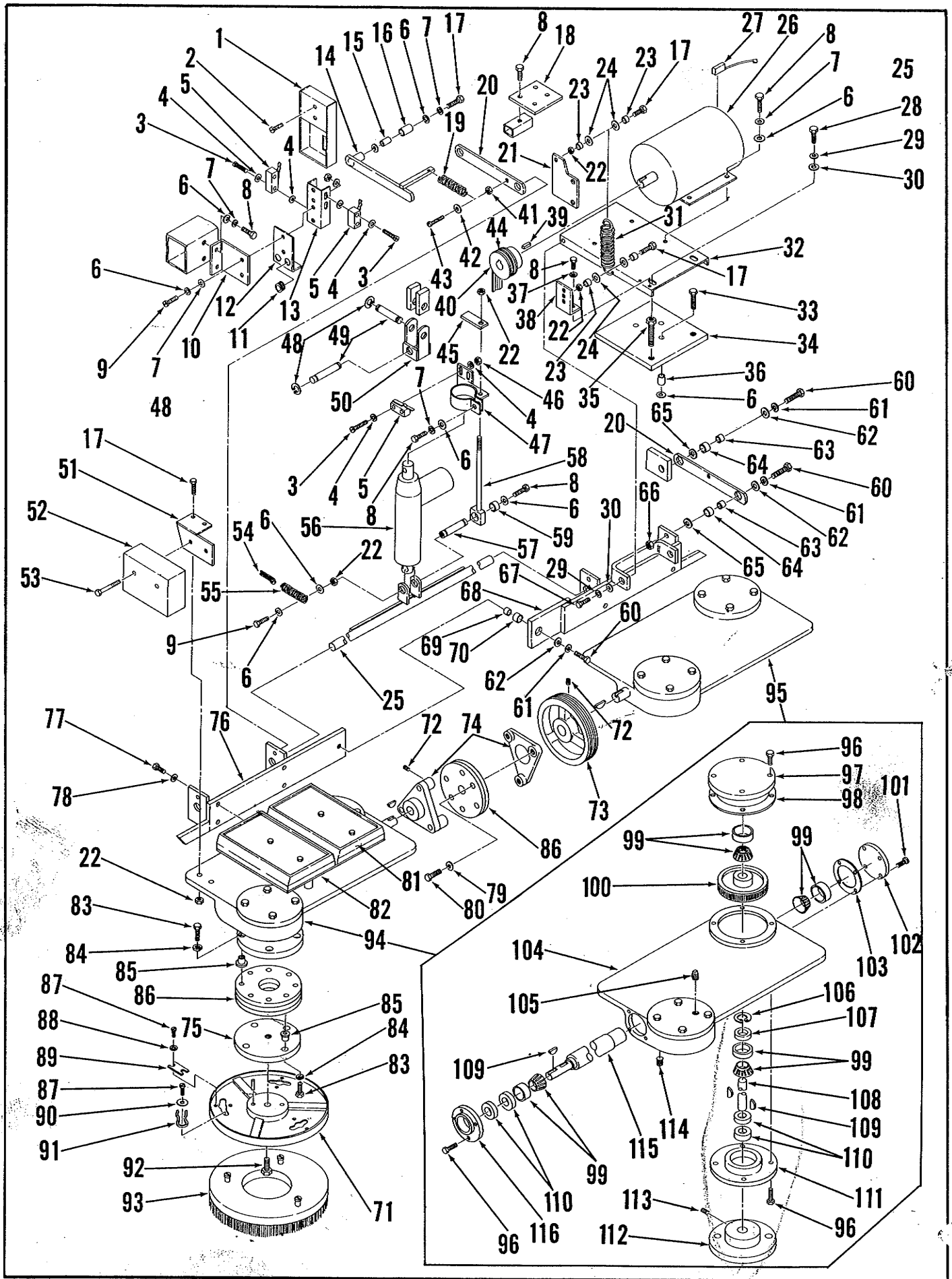
REAR WHEEL and STEERING ASSEMBLY

ITEM	PART NO	QTY	DESCRIPTION
1	454 130	1	GUARD, CHAIN
2		3	SCREW, PAN HD. #10-24 x 3/4
3		9	WASHER, SHAKEPROOF #10
4		2	SCREW, HEX HD. 3/8-16 x 2"
5		8	WASHER, FLAT 3/8
6	454 118	2	BRACKET, ADJUSTMENT
7		4	NUT, HEX 3/8-16
8	454 121	2	BRACKET
9		4	WASHER, SHAKEPROOF 5/16
10		4	SCREW, HEX HD. 5/16-18 x 2 3/4
11	454 109	2	PIN
12		4	WASHER, FLAT 1/2
13	366 633	4	BEARING
14	454 078	2	SPROCKET
15	101 737	2	FITTING, LUBE
16	454 100	1	CHAIN, STEERING
17	454 070	1	SPROCKET
18	158 135	1	KEY, SQUARE
19	445 118	1	LINK, OFFSET
20		1	PIN, COTTER 1/8 x 1 1/2
21	110 817	3	NUT, CASTLE
22		1	WASHER, FLAT 7/8
23	378 380	1	BEARING
24	344 362	1	FITTING, LUBE
25	453 525	1	HOUSING
26	101 370	1	BEARING
27	103 845	1	SEAL, SHAFT
28	453 510	1	SPINDLE
29	453 504	4	BEARING, BALL
30	453 503	2	WHEEL, 10"
31	101 281	2	WASHER
32		4	SCREW, HEX HD. 1/2-13 x 1"
33		4	WASHER, LOCK 1/2
34		4	NUT, HEX 1/2
35	454 106	1	PANEL, CHAIN GUARD
36		6	SCREW, PAN HD. #10-24 x 1/2
37		9	WASHER, SHAKEPROOF #10
38		2	SCREW, HEX HD. 1/4-20 x 1/2
39	454 103	1	PANEL, CHAIN GUARD
40	471 148	1	SPROCKET
41	250 414	3	BEARING
42		3	SCREW, SET 5/16-18 x 5/16
43	367 095	3	COLLAR, SHAFT
44	124 028	3	KEY, WOODRUFF
45	454 096	1	SHAFT
46	454 081	1	U-JOINT
47	454 093	1	SHAFT, STEERING
48	477 773	1	WHEEL, STEERING W/KEY
49	385 358	1	WASHER
50		1	WASHER, SHAKEPROOF 3/8
51		1	NUT, HEX 1/2-20
52	449 774	1	CAP, STEERING WHEEL
53	016 754	1	DECAL, STEERING WHEEL



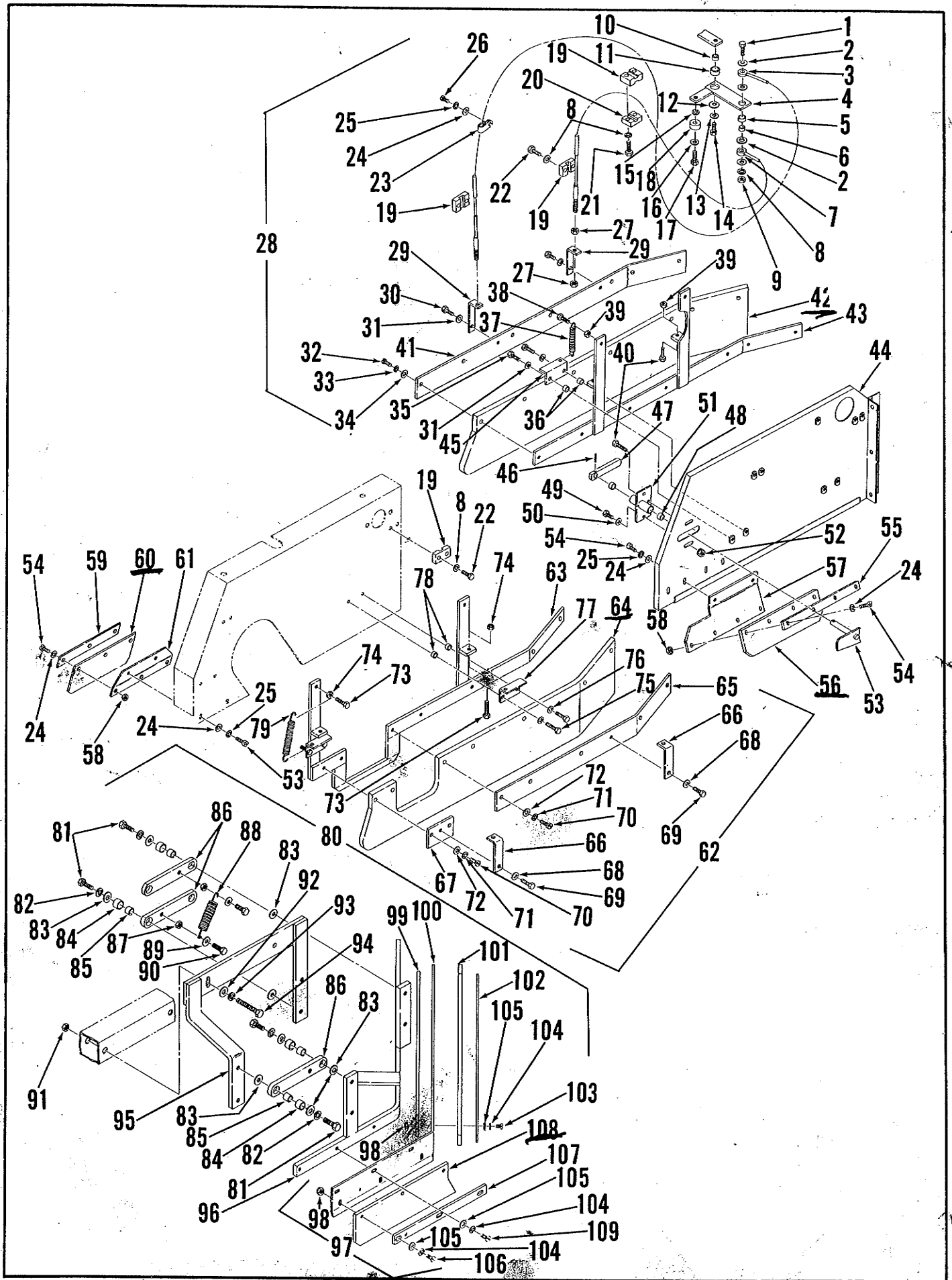
BROOM HOUSING ASSEMBLY

ITEM	PART NO	QTY	DESCRIPTION	ITEM	PART NO	QTY	DESCRIPTION
1	171 225	1	SWITCH	74	453 760	1	ARM ASSEMBLY, BROOM C/O
2		4	WASHER, SHAKEPROOF #6	75		1	NUT, HEX 3/4-10
3		2	SCREW, PAN HD. #6	76		1	WASHER, EXT. STAR 3/4
4	454 154	1	BRACKET, SWITCH	77		1	WASHER, FLAT 3/4
5	454 150	1	CABLE ASSEMBLY	78	479 430	1	BEARING, BALL
6		2	SCREW, HEX HD. 1/4-20 x 1"	79	470 728	1	BUSHING
7		2	WASHER, FLAT 1/4	80	470 636	1	LUG, IDLER
8		3	NUT, HEX 1/4-20	81	453 750	1	ARM, IDLER
9	478 775	1	RING, RETAINING	82	453 771	1	LOCKNUT, S.S. 3/8-16
10	454 142	1	BAR	83		1	SCREW, HEX HD. 3/8-16 x 1"
11		13	WASHER, FLAT 5/16	84	453 742	1	LEVER, ARM
12		10	WASHER, SHAKEPROOF 5/16	85	472 091	1	GASKET
13		2	SCREW, HEX HD. 5/16-18 x 3/4				
14	364 527	1	KNOB				
15	454 133	1	HANDLE				
16	320 595	1	BUSHING				
17		10	WASHER, FLAT #10				
18		10	WASHER, SHAKEPROOF #10				
19		2	SCREW, PAN HD. #10-24 x 1/2				
20		2	SCREW, HEX HD. 3/8-16 x 2 1/2				
21		3	WASHER, FLAT 3/8				
22	453 780	1	MOUNT				
23		6	SCREW, HEX HD. 5/16-18 x 1"				
24		3	NUT, HEX 3/8-16				
25	453 779	1	MOUNT, MOTOR				
26	468 382	1	BRUSH, MOTOR				
27	454 457	1	MOTOR, 36V 1 H.P.				
28		4	SCREW, SET 5/16-18 x 5/16				
29	453 772	1	SHEAVE				
30	367 958	1	KEY, SQUARE				
31	453 615	1	BELT, POLY-V				
32		1	NUT, HEX #10				
33	454 152	1	TURNBUCKLE				
34	453 772	1	IDLER ASSEMBLY C/O				
35		1	SCREW, HEX HD. 1/4-20 x 1/2				
36		1	WASHER, LOCK 1/4				
37	152 781	1	WASHER, .34 x .93 x .12				
38	456 326	1	RING, RETAINING				
39	372 773	1	BEARING, BALL				
40	171 216	1	PULLEY, FLAT				
41	453 721	1	LEVER				
42	200 972	1	BEARING, SLEEVE				
43		A/R	WASHER, FLAT 3/8				
44	448 112	1	SPRING, EXTENSION				
45	321 427	1	RING, RETAINING				
46		5	PIN, SPRING				
47	453 730	1	LEVER				
48	444 820	2	COLLAR				
49		4	NUT, HEX 5/16-18				
50	444 944	2	BEARING, FLANGE				
51	479 273	2	PILLOW BLOCK				
52		4	SCREW, HEX HD. 5/16-18 x 7/8				
53		3	PIN, COTTER 1/16 x 3/4				
54	152 781	3	WASHER				
55		2	WASHER, LOCK 5/16				
56		2	SCREW, HEX HD. 5/16-18 x 1/2				
57	350 079	1	ROD, LINKAGE				
58	453 765	1	ARM ASSEMBLY, BROOM C/O				
59	453 759	1	ARM				
60	479 430	2	BEARING, BALL				
61	453 767	1	IDLER ASSEMBLY				
62	453 763	1	SPACER				
63		1	WASHER, FLAT 3/4				
64		1	WASHER, EXT. STAR 3/4				
65		1	NUT, HEX 3/4-10 UNC				
66	453 770	1	ROD				
67	453 609	1	BROOM				
68	453 575	1	HOPPER				
69	209 485	8	SCREW, PAN HD. S.S. #10-24 x 1/2				
70	453 718	1	STRAP				
71	453 619	1	SKIRT, FRONT				
72	453 723	1	ANGLE				
73		2	SCREW, HEX HD. 1/4-20 x 3/8				



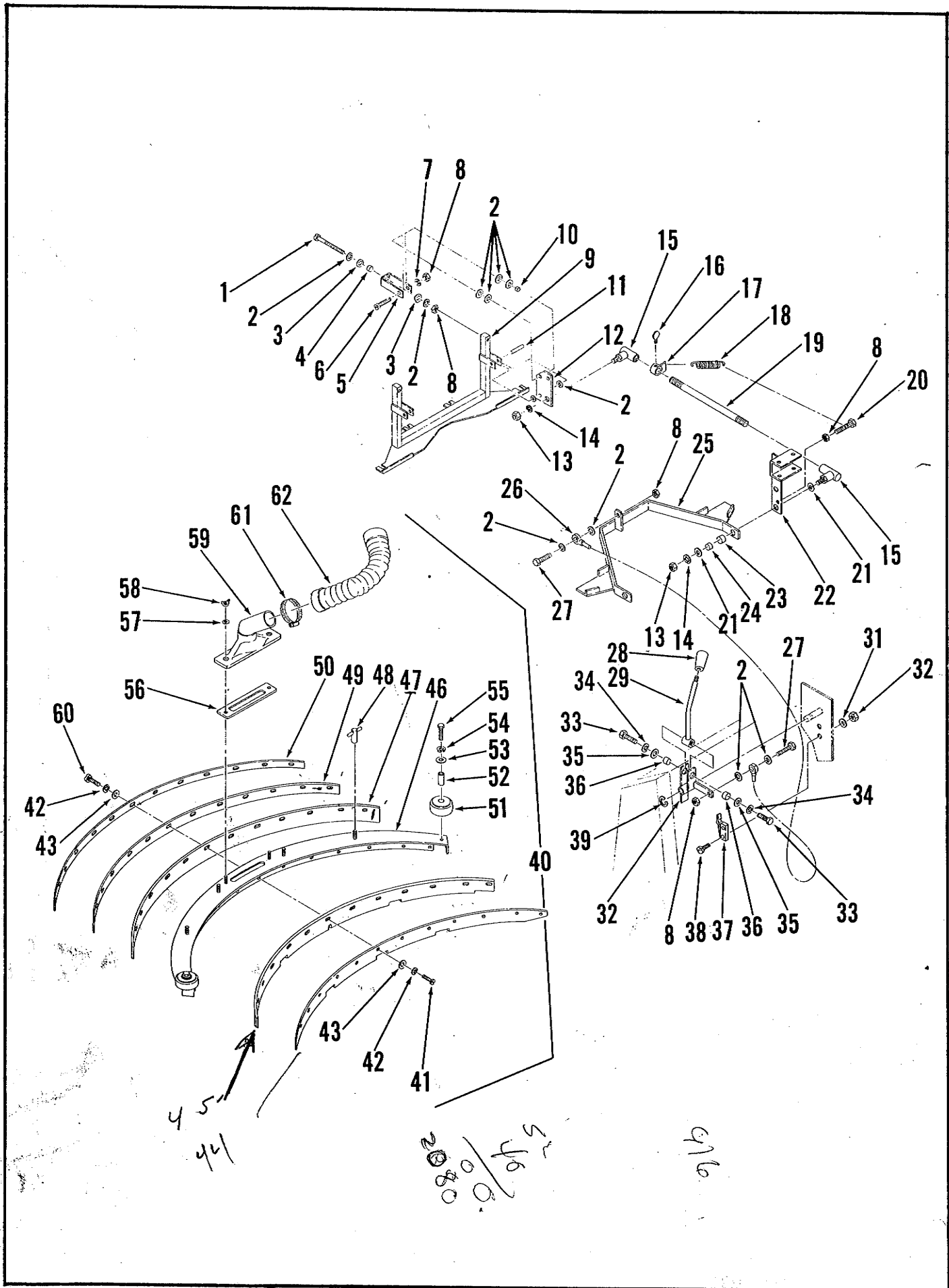
BRUSH DRIVE ASSEMBLY

ITEM	PART NO	QTY	DESCRIPTION	ITEM	PART NO	QTY	DESCRIPTION
1	454 060	1	SHIELD, SWITCH	77	363 189	8	SCREW, HEX HD. 3/8-16 x 1"
2		2	SCREW, PAN HD. #10-24 x 1/2	78		8	WASHER, SHAKEPROOF 3/8
3		6	SCREW, PAN HD. #6-32 x 1	79		12	WASHER, FLAT 3/8
4		12	WASHER, SHAKEPROOF #6	80		6	SCREW, HEX HD. 3/8-16 x 1 1/4
5	171 225	3	SWITCH	81	453 907	2	WEIGHT
6		9	WASHER, FLAT 1/4	82	453 916	1	BRACKET, WEIGHT
7		11	WASHER, SHAKEPROOF 1/4	83	448 271	24	BOLT, HEX 3/8 x 2"
8		16	SCREW, HEX HD. 1/4-20 x 1/2	84		24	WASHER, LOCK - HIGH COLLAR
9		2	SCREW, PAN HD. 1/4-20 x 3/4	85	448 268	24	BUSHING
10	454 195	1	PLATE	86	104 647	14	DISC
11	157 346	2	GROMMET	87		12	SCREW, PAN HD. #10-24 x 3/8
12	454 199	1	PLATE	88		12	WASHER, SHAKEPROOF #10
13	454 197	1	MOUNT, SWITCH	89	366 455	4	PLATE
14	454 187	1	BAR	90	151 114	4	WASHER
15	471 220	1	BUSHING	91	366 463	4	RETAINER, SPRING
16	200 972	1	BEARING	92		4	SCREW, HEX HD. 5/8-16 x 1 1/2
17		5	SCREW, HEX HD. 1/4-20 x 1 1/2	93	550 690		BRUSH (2 SETS)
18	454 441	1	BLOCK, TERMINAL	94	453 850	1	GEAR CASE ASSEMBLY - RIGHT EA. C/O
19	330 642	1	SPRING, EXTENSION	95	453 855	1	GEAR CASE ASSEMBLY - LEFT EA. C/O
20	453 909	8	BAR, PARALLEL	96	366 285	20	SCREW 1/4-20 x 3/4
21	453 920	1	BRACKET, SPRING MOUNTING	97	366 161	1	CAP, TOP
22		5	NUT, HEX 1/4-20	98	366 684	A/R	SHIM .002 RED
23	321 532	4	BUSHING		366 692	A/R	SHIM .005 BLUE
24	454 626	4	WASHER		366 706	A/R	SHIM .015 PINK
25	453 912	1	BAR	99	366 323	6	BEARING ASSEMBLY
26	454 454	1	MOTOR, 36 VOLT, 2.25 H.P.	100	366 226	2	GEAR, WORM
27	448 729	SET	BRUSH, MOTOR (1 SET)	101		4	SCREW, FLT. HD. SOC. 1/4-20 x 1/2
28		2	SCREW, HEX HD. 5/16-18 x 1/2	102	550 920	1	CAP, GEAR CASE
29		6	WASHER, SHAKEPROOF 5/16	103	366 714	A/R	SHIM .002 RED
30		6	WASHER, FLAT 5/16		366 722	A/R	SHIM .005 BLUE
31	381 993	1	SPRING		366 730	A/R	SHIM .015 RINK
32	378 666	1	BRACKET, MOTOR MOUNTING	104	550 906	1	GEAR CASE
33		3	SCREW, HEX HD. 1/4-20 x 1 1/4	105	366 269	1	PLUG, VENT
34	453 903	1	PLATE	106	366 358	4	RING, RETAINING
35	378 631	2	STUD	107	366 315	4	SPACER
36	366 862	3	BUSHING	108	366 307	2	SHAFT, WORM GEAR
37		2	WASHER, LOCK 1/4	109	366 366	4	KEY, WOODRUFF
38	453 922	1	BRACKET, SPRING	110	366 331	6	SEAL, GREASE
39	443 719	1	KEY	111	366 218	2	CAP, BOTTOM
40	453 888	1	SHEAVE	112	453 861	2	COUPLER
41		2	NUT, HEX #10-24	113		2	SCREW, SOC. SET 3/8-16 x 1/2
42		2	WASHER, FLAT #10	114	366 277	2	PLUG, PIPE 1/4 BLK
43		2	SCREW, PAN HD. #10-24 x 3/4	115	453 858	1	SHAFT, DOUBLE WORM
44	378 852	1	BELT, POLY-V	116	366 129	1	CAP, GEAR CASE
45	453 996	1	BAR				
46		6	NUT, HEX #6-32				
47	453 985	1	BRACKET, ACTUATOR				
48	468 834	6	RING, RETAINING				
49	468 684	2	PIN				
50	454 178	1	YOKE				
51	453 900	1	BRACKET				
52	453 908	1	WEIGHT				
53		2	SCREW, HEX HD. 5/16-18 x 2 1/2				
54		1	PIN, COTTER 3/16 x 1 1/2				
55	370 355	1	SPRING, EXTENSION				
56	468 370	1	ACTUATOR				
57	453 998	1	PIN				
58	453 990	1	ROD				
59	368 989	1	BUSHING				
60		17	SCREW, HEX HD. 1/2-13 x 1 1/2				
61		17	WASHER, SHAKEPROOF 1/2				
62		17	WASHER, FLAT 1/2				
63	367 206	16	BUSHING				
64	367 168	16	BEARING				
65	367 214	16	WASHER				
66	441 236	16	NUT, LOCK				
67		2	SCREW, HEX HD. 5/16-18 x 3/4				
68	453 864	1	BRACKET, GEAR CASE - LEFT				
69	360 627	1	BUSHING				
70	370 878	1	BEARING				
71	363 189	4	HOLDER, CASTING				
72		14	SCREW, SET 5/16-18 x 5/16				
73	453 891	1	SHEAVE				
74	453 894	2	UNIVERSAL				
75	448 263	4	COUPLER, LOWER				
76	453 882	1	BRACKET, GEAR CASE - RIGHT				



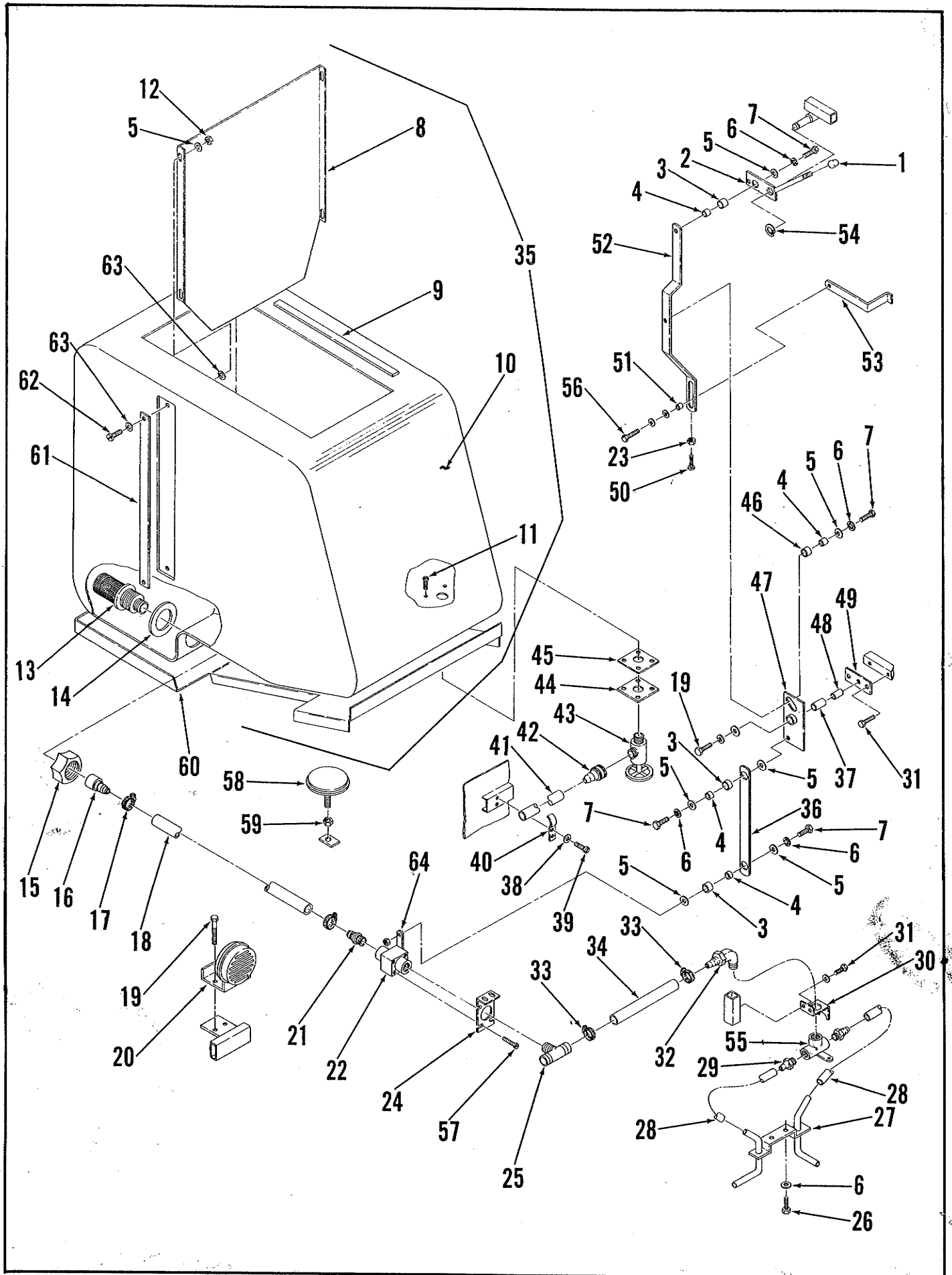
FRONT and SIDE BLADE ASSEMBLY

ITEM	PART NO	QTY	DESCRIPTION	ITEM	PART NO	QTY	DESCRIPTION
1		2	SCREW, HEX HD. 1/4-20 x 1 1/2	76		4	WASHER, LOCK 1/4
2		10	WASHER, FLAT 1/4	77	453 687	2	STRAP
3	453 845	2	CABLE ASSEMBLY	78	453 691	4	SPACER
4	453 703	2	LEVER	79	370 746	1	SPRING, EXTENSION
5	368 970	2	BEARING, OILITE	80	453 825	1	BLADE ASSEMBLY - LEFT FRONT ONLY C/O
6	453 849	2	BUSHING		453 828	1	BLADE ASSEMBLY - RIGHT FRONT ONLY C/O
7	468 460	2	CABLE ASSEMBLY	81		8	SCREW, HEX HD. 5/16-18 x 1"
8		14	WASHER, INT. STAR 1/4	82		8	WASHER, SHAKEPROOF 5/16
9		2	NUT, JAM 1/2-20	83		16	WASHER, FLAT 5/16
10	365 030	2	BUSHING	84	453 832	8	BEARING
11	478 781	2	BEARING, SLEEVE	85	453 835	8	BUSHING
12	367 214	2	WASHER	86	453 806	4	BAR, PARALLEL
13		2	WASHER, LOCK 1/2	87		4	NUT, HEX 1/4-20
14		2	SCREW, HEX HD. 1/2-13 x 3/4	88	470 672	2	SPRING, EXTENSION
15		4	WASHER, FLAT 5/16	89		4	WASHER, FLAT 1/4
16		2	WASHER, LOCK 5/16	90		4	SCREW, HEX HD. 1/4-20 x 7/8
17		2	SCREW, HEX HD. 5/16-18 x 3/4	91		2	NUT, WHIZ 3/8-16
18	228 051	2	BEARING, BALL	92		2	WASHER, FLAT 3/8
19	453 843	2	CLAMP, CABLE	93		2	WASHER, LOCK 3/8
20	477 884	4	CLAMP, CABLE	94		2	SCREW, HEX HD. 3/8-16 x 2 3/4
21		4	SCREW, HEX HD. 1/4-20 x 1 3/4	95	453 809	1	BRACKET, FRAME (LEFT ONLY)
22		8	SCREW, HEX HD. 1/4-20 x 7/8		453 812	1	BRACKET, FRAME (RIGHT ONLY)
23	300 152	2	CLAMP	96	453 824	1	BRACKET, SKIRT (LEFT ONLY)
24		18	WASHER, FLAT #10		453 827	1	BRACKET, SKIRT (RIGHT ONLY)
25		11	WASHER, INT. STAR #10	97	456 230	1	SKIRT ASSEMBLY (LEFT ONLY) C/O
26		2	SCREW, PAN HD. #10-24 x 3/8		456 236	1	SKIRT ASSEMBLY (RIGHT ONLY) C/O
27		8	NUT, HEX 5/16-18	98		7	NUT, WHIZ #10-24
28	453 675	1	DOOR ASSEMBLY - RIGHT C/O	99	456 222	1	STRIP, WEAR
29	453 831	2	LINKAGE	100	456 232	1	PLATE, SKIRT (LEFT ONLY)
30		2	SCREW, HEX HD. 1/4-20 x 3/8		456 238	1	PLATE, SKIRT (RIGHT ONLY)
31		6	WASHER, LOCK 1/4	101	456 220	1	BLADE, RUBBER
32	209 487	7	SCREW, PAN HD. S.S. #10-24 x 7/8	102	456 210	1	STRAP, BLADE
33		7	WASHER, INT. STAR #10	103	209 523	4	SCREW, PAN HD.
34		7	WASHER, FLAT #10				S.S. #10-24 x 1 1/2
35		4	SCREW, HEX HD. 1/4-20 x 3/4	104		14	WASHER, INT. STAR #10
36	453 691	4	SPACER	105		14	WASHER, FLAT #10
37	370 746	2	SPRING, EXTENSION	106	209 486	3	SCREW, PAN HD. S.S. #10-24 x 3/4
38		2	SCREW, HEX HD. 1/4-20 x 7/8	107	456 218	1	STRAP
39		4	NUT, HEX 1/4	108	456 224	1	BLADE
40		3	SCREW, HEX HD. 1/4-20 x 1"	109	209 484	7	SCREW, PAN HD. S.S. #10-24 x 1/2
41	453 685	1	STRAP				
42	453 606	1	BLADE				
43	453 608	1	STRAP				
44	453 676	1	DOOR				
45	453 687	2	STRAP				
46		1	PIN, SPRING 1/8 x 3/4				
47	479 371	1	HANDLE				
48	368 970	2	BEARING, SLEEVE 3/8				
49		2	SCREW, HEX HD. 1/4-20 x 1/2				
50		2	WASHER, FLAT 1/4				
51	453 681	1	BRACKET				
52		2	NUT, WHIZ 1/4				
53	453 690	1	LATCH				
54	209 485	14	SCREW, S.S. #10-24 x 1/2				
55	453 862	1	STRAP				
56	453 865	1	BLADE				
57	453 854	1	PLATE				
58		7	NUT, WHIZ #10-24				
59	453 859	1	STRAP				
60	453 868	1	BLADE				
61	453 852	1	PLATE				
62	453 805	1	BLADE ASSEMBLY - LEFT C/O				
63	453 807	1	STRAP				
64	453 822	1	BLADE				
65	453 826	1	STRAP				
66	453 831	2	LINKAGE				
67	453 829	1	STRAP				
68		2	WASHER, LOCK 1/4				
69		2	SCREW, HEX HD. 1/4-20 x 1/4				
70	209 487	8	SCREW, PAN HD. S.S. #10-24 x 7/8				
71		8	WASHER, INT. STAR #10				
72		8	WASHER, FLAT #10				
73		4	SCREW, HEX HD. 1/4-20 x 1"				
74		4	NUT, JAM 1/4-20				
75		4	SCREW, HEX HD. 1/4-20 x 5/8				



SQUEEGEE TOOL and LIFTER ASSEMBLY

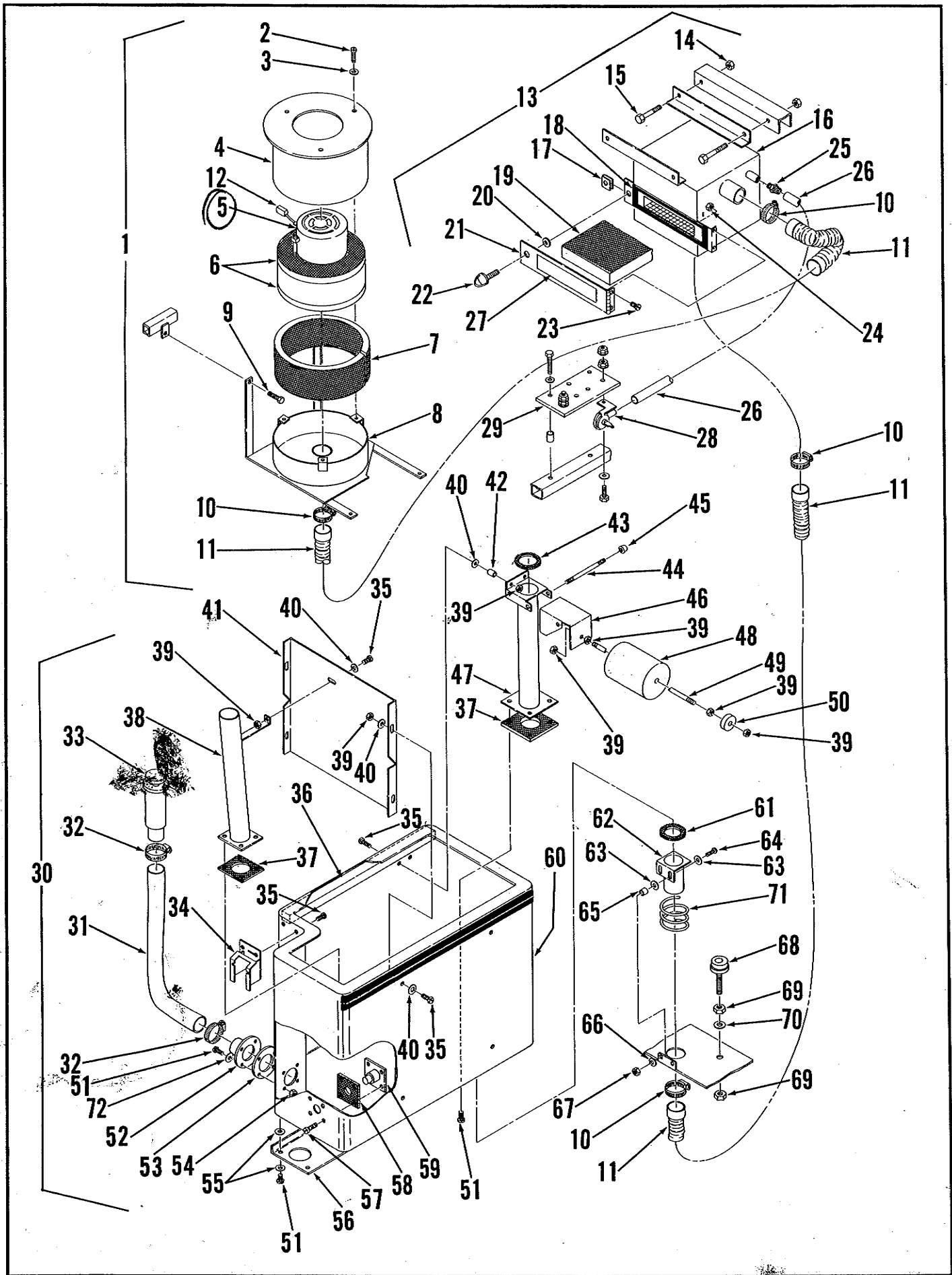
ITEM	PART NO	QTY	DESCRIPTION
1		2	SCREW, RD. HD. 1/4-20 x 2 1/2
2		22	WASHER, FLAT 1/4
3	163 880	4	WASHER, SPRING
4	206 784	2	BUSHING
5	454 285	2	YOKE
6		2	SCREW, RD. HD. 1/4-20 x 1 1/2
7		2	WASHER, LOCK 1/4
8		2	NUT, HEX 1/4-20
9	454 290	1	MOUNT, SQUEEGEE
10	366 862	2	BUSHING
11		2	PIN, SPRING 1/4 x 1"
12	454 288	2	PLATE, PIVOT
13		12	NUT, JAM 1/2-20
14		8	WASHER, LOCK 1/2-INT. TOOTH
15	477 772	8	BALL JOINT
16	754 374	2	SCREW, THUMB
17	454 276	2	COLLAR
18	448 112	2	SPRING, EXTENSION
19	454 273	2	ROD, BALL JOINT
20		2	SCREW, HEX HD. 1/4-20 x 1"
21	367 214	4	WASHER
22	454 323	2	BAR
23	370 878	2	BEARING, SLEEVE
24	360 627	2	BUSHING
25	454 305	1	LIFTER, SQUEEGEE
26	454 175	1	CABLE ASSEMBLY
27		2	SCREW, HEX HD. 1/4-20 x 7/8
28	364 527	1	KNOB
29	479 492	1	HANDLE, SQUEEGEE LIFT
30		2	NUT, HEX #6-32
31		1	WASHER, LOCK #6
32	454 136	1	LEVER, HANDLE
33		2	SCREW, HEX HD. 5/16-18 x 1/2
34		2	WASHER, LOCK 5/16 INT. TOOTH
35		2	WASHER, FLAT 5/16
36	320 595	2	BUSHING
37	171 225	1	SWITCH
38		2	SCREW, PAN HD. #6-32 x 1"
39	478 775	1	RING, RETAINING
40	455 575	1	SQUEEGEE ASSEMBLY C/O
41	209 491	13	SCREW, PAN HD. S.S. #10-24 x 5/8
42		26	WASHER, #10 INT. TOOTH
43		26	WASHER, FLAT #10
44	455 606	1	STRIP, WEAR
45	455 608	1	BLADE, RUBBER BLACK RUBBER
46	455 580	1	TOOL, SQUEEGEE
47	454 209	1	BLADE, RUBBER TAN
48	370 711	4	SCREW, THUMB
49	454 215	1	BLADE, RUBBER
50	455 604	1	STRAP, HOLD DOWN
51	386 127	2	WHEEL
52	454 249	2	BUSHING
53		2	WASHER, FLAT 5/16
54		2	WASHER, LOCK 5/16
55		2	SCREW, HEX HD. 5/16-18 x 2"
56	454 224	1	GASKET
57		2	WASHER, FLAT 1/4
58	201 677	2	NUT, WING
59	454 223	1	ADAPTOR, VAC HOSE
60	209 486	13	SCREW, PAN HD. S.S. #10-24 x 3/4
	455 630	1	SQUEEGEE BLADE KIT (NOT SHOWN)
61	449 215	1	CLAMP, HOSE
62	454 780	1	HOSE, VACUUM



SOLUTION TANK and VALVE LINKAGE

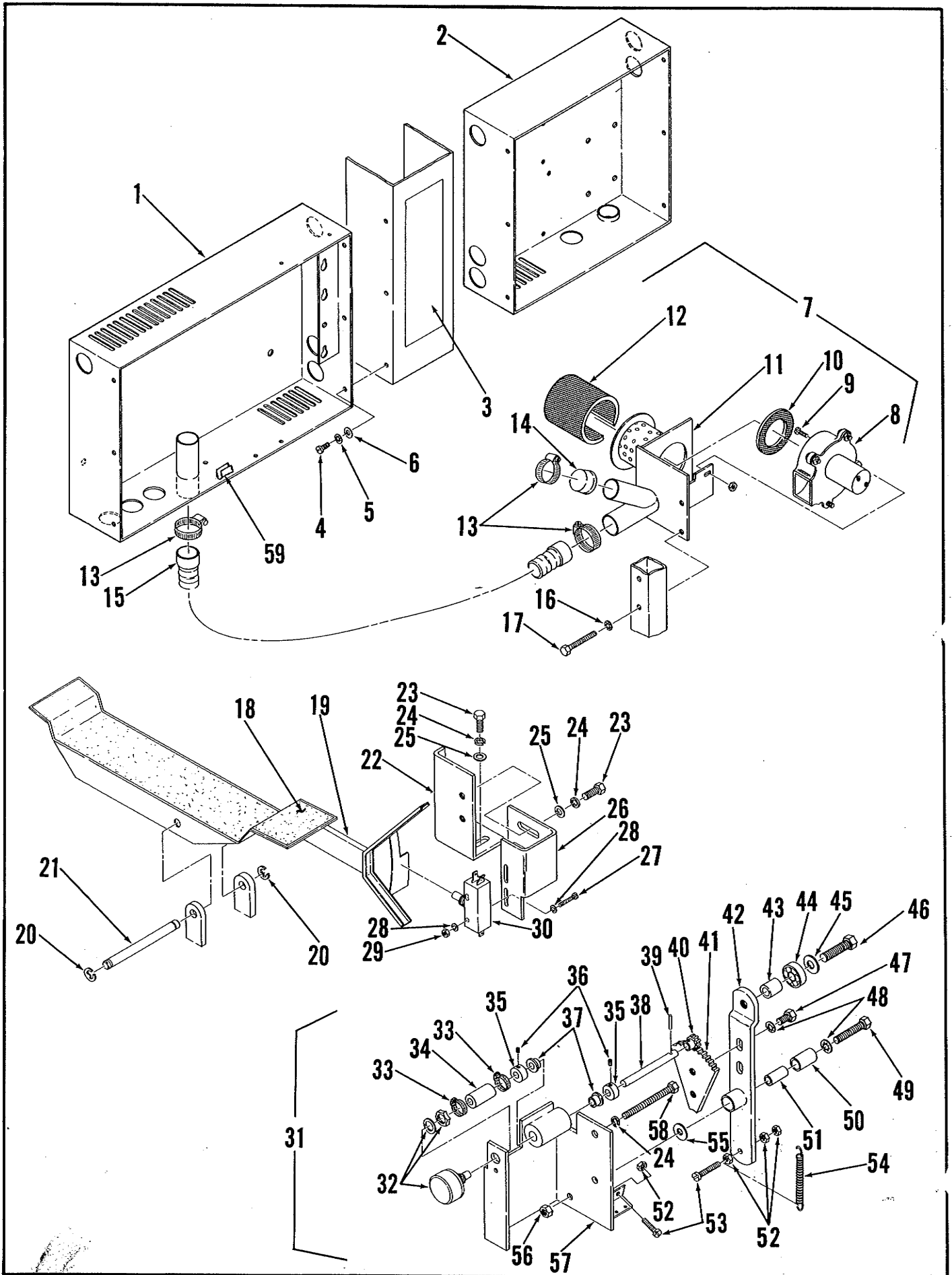
ITEM	PART NO	QTY	DESCRIPTION
1	364 527	1	KNOB
2	454 157	1	LEVER
3	368 970	3	BEARING
4	368 989	4	BUSHING
5		8	WASHER, FLAT 1/4
6		12	WASHER, SHAKEPROOF 1/4
7		4	SCREW, HEX HD. 1/4-20 x 1
8	454 624	1	BAFFLE
9	454 604	1	GASKET
10	454 603	1	TANK, SOLUTION
11		4	SCREW, RD. HD. BRASS 1/4-20 x 5/8
12		4	NUT, HEX BRASS 1/4-20
13	449 868	1	SCREEN ASSEMBLY
14	449 870	1	WASHER, FIBRE
15	449 872	1	NUT, JAM 1 1/2-12
16	454 167	1	BARB
17	131 601	2	CLAMP, HOSE
18	760 018	1	TUBE
19		2	SCREW, HEX HD. 1/4-20 x 1
20	442 054	1	HORN
21	454 168	1	BARB
22	454 607	1	VALVE
23		2	NUT, HEX 1/4-20
24	454 165	1	BRACKET
25	454 609	1	TEE
26		4	SCREW, HEX HD. 1/4-20 x 5/8
27	453 924	2	PIPE WELDMENT
28	379 107	4	TUBE
29	749 202	4	BARB
30	453 936	2	BRACKET
31		4	SCREW, HEX HD. 1/4-20 x 1/2
32	244 985	2	BARB
33	112 771	4	CLAMP, HOSE
34	449 850	2	TUBE 14"
35	454 600	1	SOLUTION TANK ASSEMBLY
36	454 159	1	BAR
37	200 972	1	BEARING
38		4	WASHER, SHAKEPROOF #10
39		4	SCREW, PAN HD. #10-24 x 1/2
40	454 940	2	CLAMP
41	454 618	1	TUBE
42	369 160	1	BARB
43	369 152	1	VALVE
44	368 741	1	PLATE
45	368 768	1	GASKET
46	368 997	1	BUSHING
47	454 161	1	PLATE
48	471 220	1	BUSHING
49	454 164	1	BAR
50		1	SCREW, RD. HD. 1/4-20 x 2
51	321 532	1	BUSHING
52	454 158	1	BAR
53	454 169	1	BRACKET
54	321 427	1	RETAINING RING
55	454 612	2	VALVE, FLOW CONTROL
56		1	SCREW, HEX HD. 1/4-20 x 3/4
57		4	SCREW, FILLISTER HD. 1/4-20 x 1 1/4
58	454 596	2	PAD, ADJUSTING
59		2	NUT, JAM 1/2-13
60	454 646	1	PANEL, BOOT
61	454 628	2	PLATE
62	576 520	4	SCREW, S.S. 1/4 x 7/8
63	204 218	8	WASHER, SEALING
64	454 620	1	HANDLE, VALVE

EW



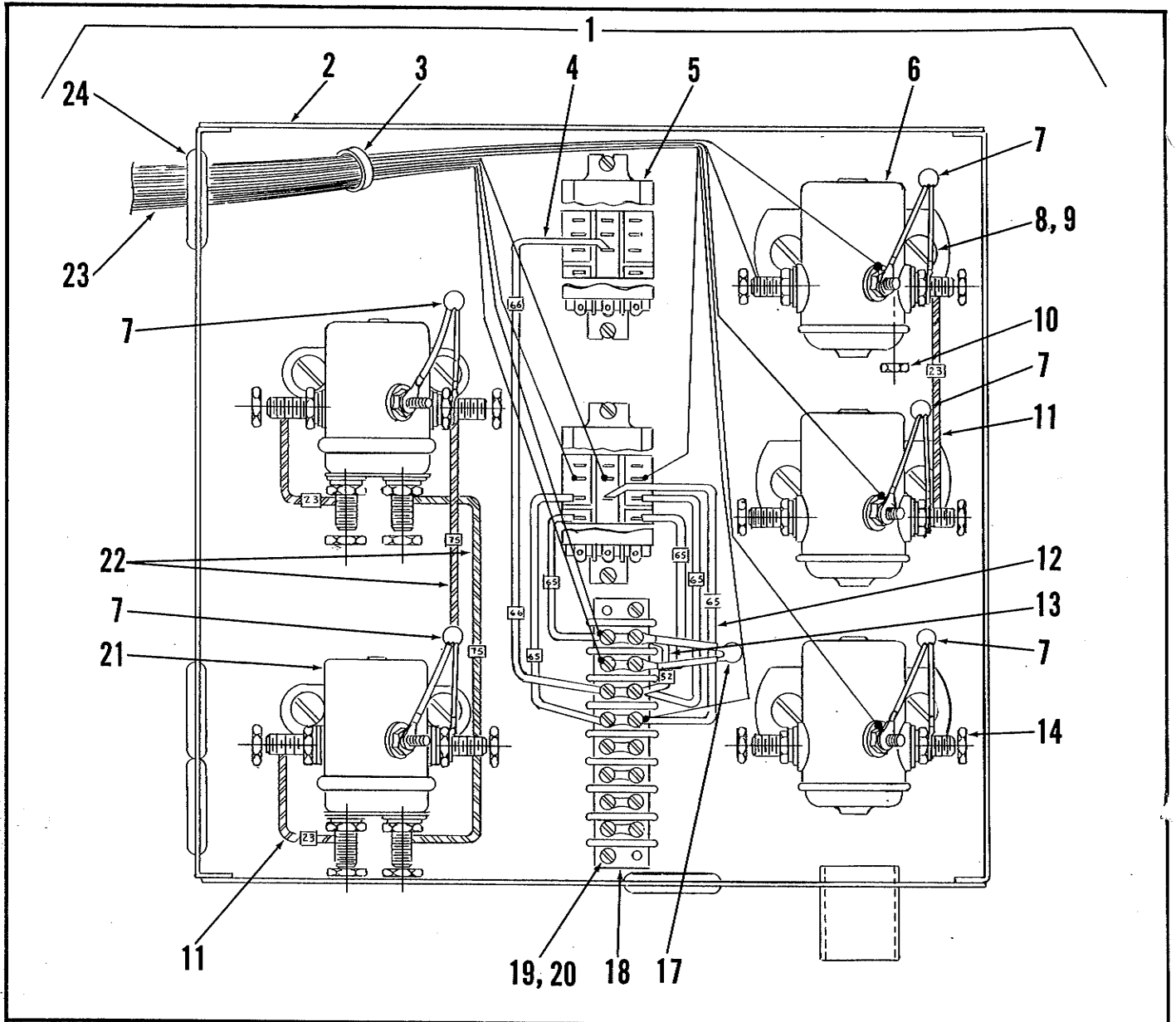
RECOVERY TANK and VACUUM ASSEMBLY

ITEM	PART NO	QTY	DESCRIPTION
1	454 331	1	MOTOR HOUSING ASSEMBLY C/O
2		3	SCREW, PAN HD. 1/4-20 x 3/4
3		3	WASHER, LOCK 1/4
4	454 330	1	BAFFLE
5	454 335	1	MOTOR, VACUUM
6	200 379	2	GASKET
7	454 333	2	FOAM 1/4 x 4" x 36"
8	454 340	1	MOUNT, VAC MOTOR
9		4	SCREW, HEX HD. 1/4-20 x 1/2
10	440 213	5	CLAMP, HOSE
11	449 215	2	HOSE, VACUUM
12	454 208	1	BRUSH, MOTOR (1 SET)
13	454 360	1	FILTER BOX ASSEMBLY C/O
14		2	NUT, HEX 5/16-18
15		2	SCREW, HEX HD. 5/16-18 x 2 3/4
16	454 350	1	BOX, FILTER
17	468 961	1	RECEPTICAL, SCREW
18	331 126	1	GASKET 3/16 x 3/8 x 26"
19	454 259	1	FILTER
20	448 108	1	WASHER, RETAINING
21	454 370	1	DOOR
22	448 104	1	SCREW, FASTENER
23		2	SCREW, PAN HD. #10-24 x 3/8
24		2	NUT, WHIZ W/FLANGE #10-24
25	477 522	1	BARB 3/16 x 1/8
26	752 346	1	TUBE, RUBBER
27	025 345	1	DECAL, FILTER
28	454 463	1	SWITCH, VACUUM
29	454 444	1	BLOCK, TERMINAL
30	454 700	1	RECOVERY TANK ASSEMBLY C/O
31	454 715	1	HOSE, DRAIN
32	329 145	2	CLAMP, HOSE
33	380 708	1	DRAIN VALVE ASSEMBLY
34	449 660	1	BRACKET, DRAIN HOSE
35	576 520	13	SCREW, S.S. 1/4-20 x 7/8
36	454 731	1	TUBE, SQUARE
37	454 709	2	GASKET
38	454 745	1	TUBE
39		15	NUT, HEX BRASS 1/4-20
40	454 626	22	WASHER .26 x 1" x .074
41	454 752	2	BAFFLE
42	471 220	2	BUSHING
43	454 253	1	GASKET
44	454 727	1	ROD
45		2	NUT, CAP 1/4-20
46	454 751	1	BAFFLE
47	454 730	1	TUBE
48	385 198	1	FLOAT
49	454 724	1	ROD
50	454 721	1	WEIGHT
51		12	SCREW, PAN HD. 1/4-20 x 3/4 BRASS
52	454 764	1	TUBE
53	454 706	1	GASKET
54	454 713	1	PLATE, NUT
55	204 218	16	WASHER, SEALING
56	454 702	1	PLATE, WEAR
57		8	SCREW, HEX HD. 3/8-16 x 3/4 W/SAE WASHER
58	454 712	2	GASKET
59	454 778	2	HINGE
60	454 703	1	RECOVERY TANK
61	454 253	2	GASKET
62	454 755	2	TUBE
63		8	WASHER, FLAT #10
64		4	SCREW, PAN HD. #10-24 x 3/4
65	151 092	4	BUSHING
66		4	WASHER, SHAKEPROOF #10
67		4	NUT, HEX #10-24
68	449 221	2	BUMPER
69		4	NUT, HEX 1/2-13
70		2	WASHER, FLAT 1/2
71	454 250	2	SPRING
72	761 332	4	WASHER, BRASS

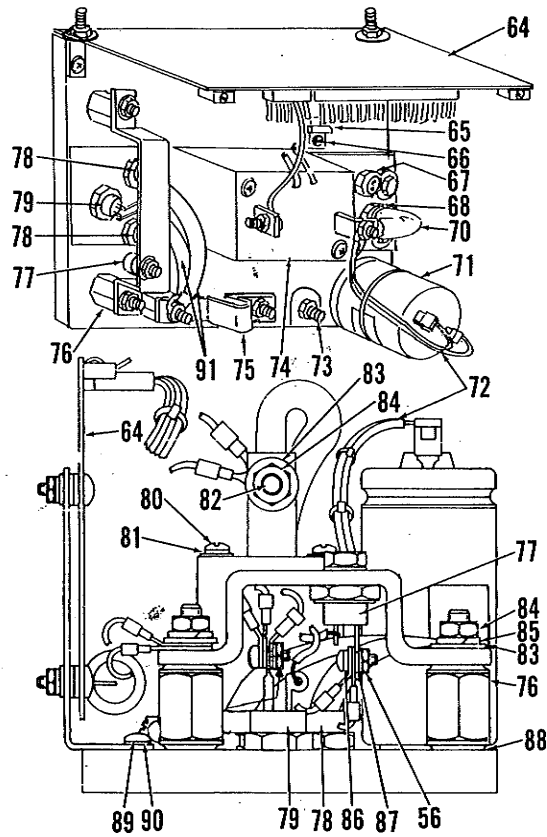


SPEED CONTROL and BLOWER ASSEMBLY

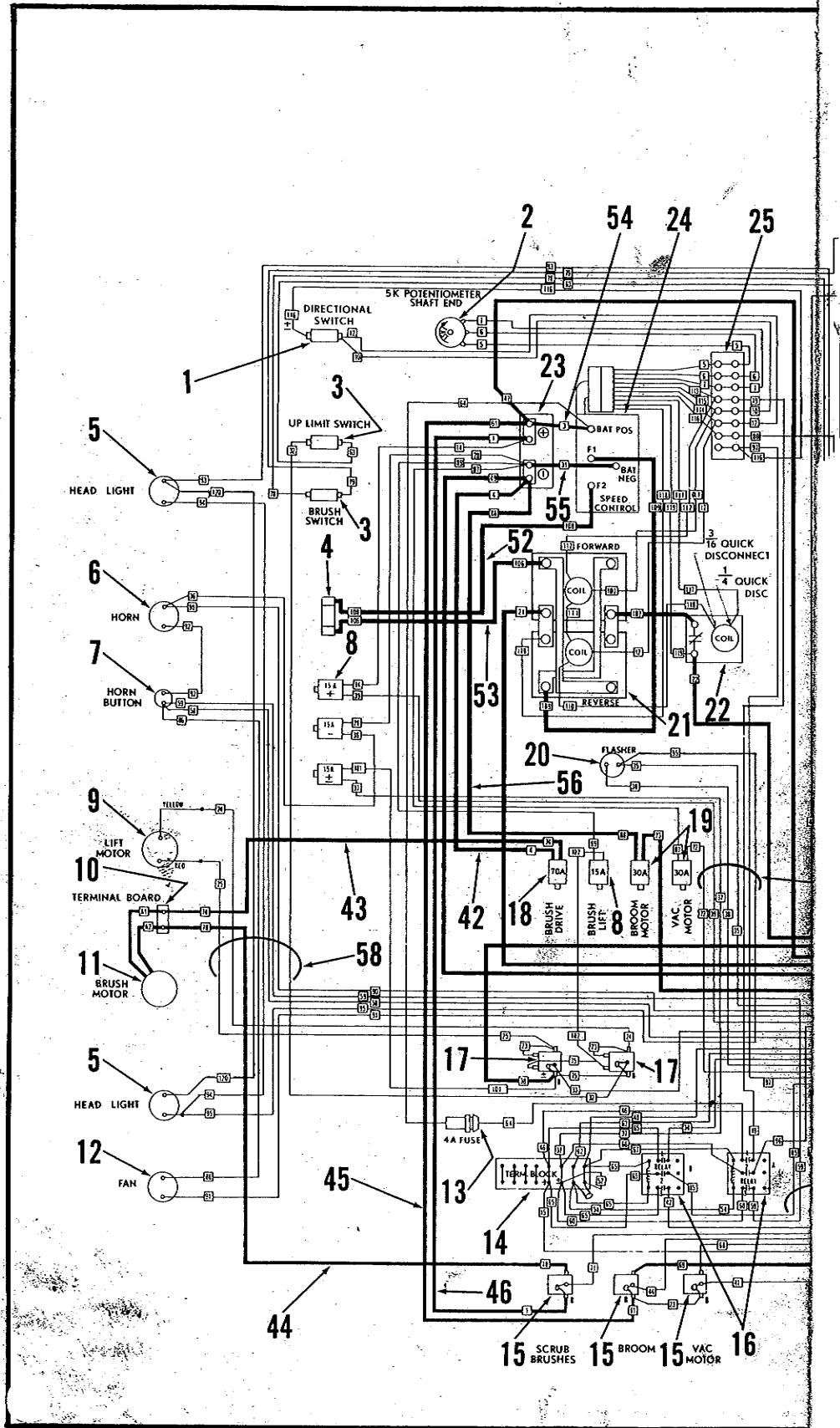
ITEM	PART NO	QTY	DESCRIPTION
1	454 714	1	PANEL, ELECTRICAL - RIGHT FRONT
2	454 420	1	PANEL, ELECTRICAL - LEFT FRONT
3	025 372	1	DECAL, "BREAKER"
4		6	SCREW, PAN HD. #10-24 x 1/2
5		6	WASHER, SHAKEPROOF #10
6		6	WASHER, FLAT #10
7	454 467	1	BLOWER ASSEMBLY C/O
8	454 531	1	BLOWER 12V D.C.
9		2	SCREW, PAN HD. #8-32 x 7/8
10	200 537	1	GASKET
11	454 466	1	BRACKET, BLOWER
12	454 473	1	FILTER
13	131 601	3	CLAMP, HOSE
14	454 725	1	PLUG, CAP
15	454 533	1	HOSE, VAC
16		2	WASHER, SHAKEPROOF 1/4
17		2	SCREW, HEX HD. 1/4-20 x 3/4
18	449 958	1	MAT, PEDAL
19	454 760	2	PEDAL, FOOT
20	373 797	2	RING, RETAINING
21	454 010	1	PIN, FOOT PEDAL
22	454 069	1	BRACKET, MOUNTING
23		4	SCREW, HEX HD. 1/4-20 x 1/2
24		6	WASHER, LOCK 1/4
25		4	WASHER, FLAT 1/4
26	454 756	1	BRACKET, SWITCH MOUNTING
27		2	SCREW, PAN HD. #6-32 x 1"
28		4	WASHER, SHAKEPROOF #6
29		2	NUT, HEX #6
30	761 452	1	SWITCH, SNAP SPDT
31	454 004	1	RESISTOR LINKAGE ASSEMBLY C/O
32	454 740	1	POTENTIOMETER
33	756 364	2	CLAMP, HOSE
34	454 036	1	COUPLER
35	159 832	2	COLLAR
36		2	SCREW, SOC. SET #10-24 x 3/16
37	756 318	2	BEARING, FLANGE .250
38	454 038	1	PIN
39		1	PIN, SPRING 3/32 x 1/2
40	454 011	1	GEAR, SPUR
41	454 016	1	GEAR, SECTION
42	454 040	1	BAR, GEAR SECTION
43	228 052	1	BUSHING
44	228 051	1	BEARING, BALL .3150
45		1	WASHER, FLAT 5/16
46		1	SCREW, HEX HD. 5/16-18 x 1" W/SHAKE-WASH.
47		2	SCREW, HEX HD. 1/4-20 x 1/2
48		3	WASHER, SHAKEPROOF 1/4
49		1	SCREW, HEX HD. 1/4-20 x 1 1/2
50	200 972	1	SLEEVE, BEARING .378
51	471 220	1	BUSHING
52		4	NUT, HEX #10-24
53		2	SCREW, PAN HD. #10-24 x 1"
54	324 580	2	SPRING, EXTENSION
55		1	WASHER, FLAT 1/4
56		1	NUT, HEX 1/4-20
57	454 022	1	BRACKET, MOUNTING
58		2	SCREW, HEX HD. 1/4-20 x 2 1/2
59	369 187	1	CLIP, FUSE HOLDER

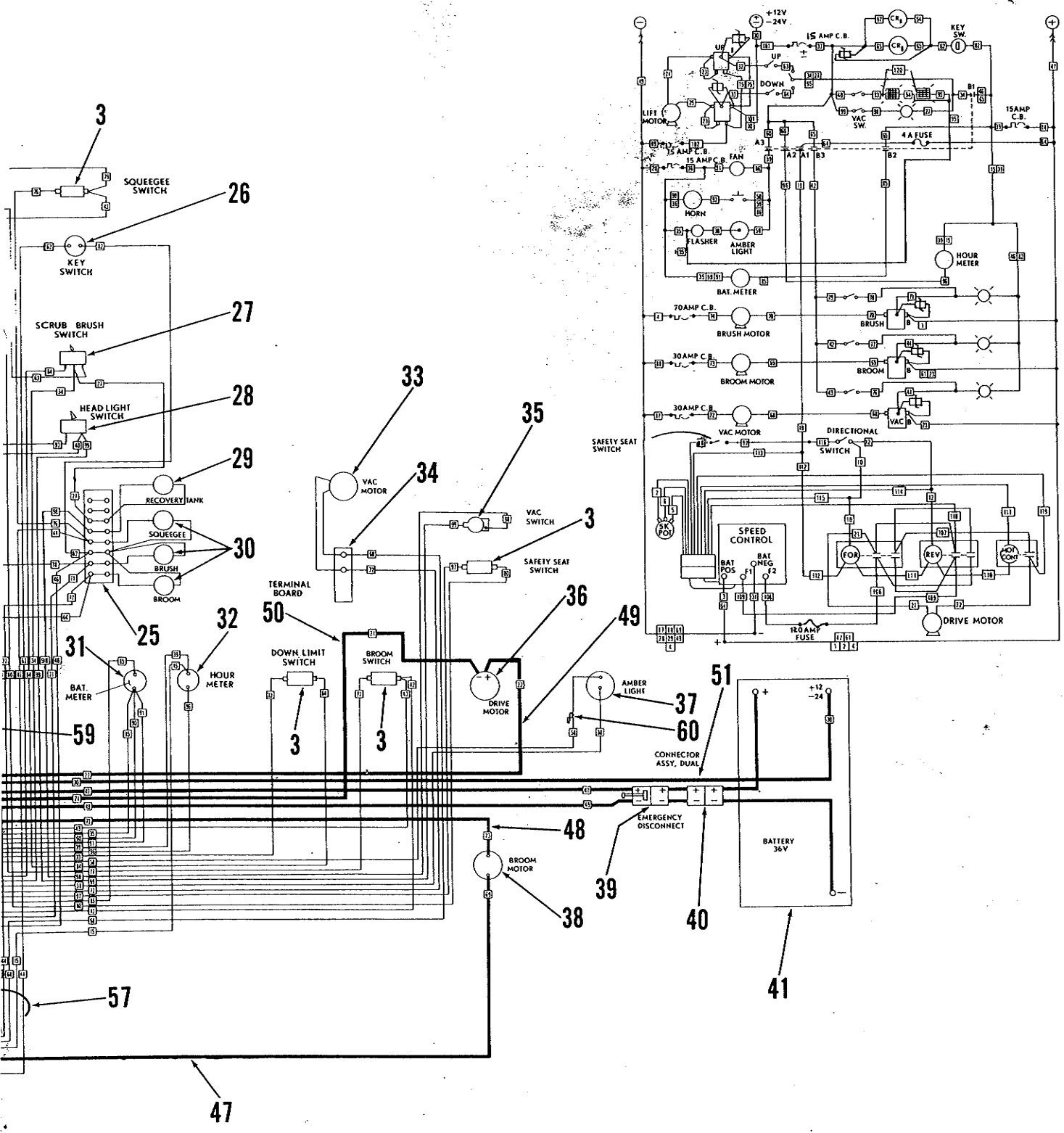


ITEM	PART NO	QTY	DESCRIPTION
1	454 659	1	ELECTRICAL PANEL ASSEMBLY
2	454 420	1	TRAY, ELECTRICAL
3	478 246	1	CABLE TIE
4	454 549	1	WIRE RECTIFIER ASSEMBLY (NO. 66)
5	454 432	2	RELAY 24 V
6	371 394	3	SOLENOID 24 V
7	454 664	5	VARISTOR ASSEMBLY
8		10	SCREW, TRUSS HD. 1/4-20 x 3/8
9		10	WASHER, SHAKEPROOF 1/4
10		7	NUT, HEX #10-32
11	454 512	3	WIRE ASSEMBLY #10 x 3 1/2 (NO. 23)
12	454 520	5	WIRE ASSEMBLY #14 x 4 (NO. 65)
13	454 518	1	WIRE ASSEMBLY #14 x 3 (NO. 52)
14		14	NUT, HEX 5/16-24 W/LOCKWASHER
17	454 662	1	VARISTOR ASSEMBLY
18	454 445	1	TERMINAL BOARD
19		6	SCREW, PAN HD. #6-32 x 3/8
20		6	LOCKWASHER #6
21	470 750	2	SOLENOID 24 V
22	454 516	2	WIRE ASSEMBLY #10 x 8 (NO. 75)
23	454 502	1	HARNESS ASSEMBLY
24	477 514	4	GROMMET 1.25

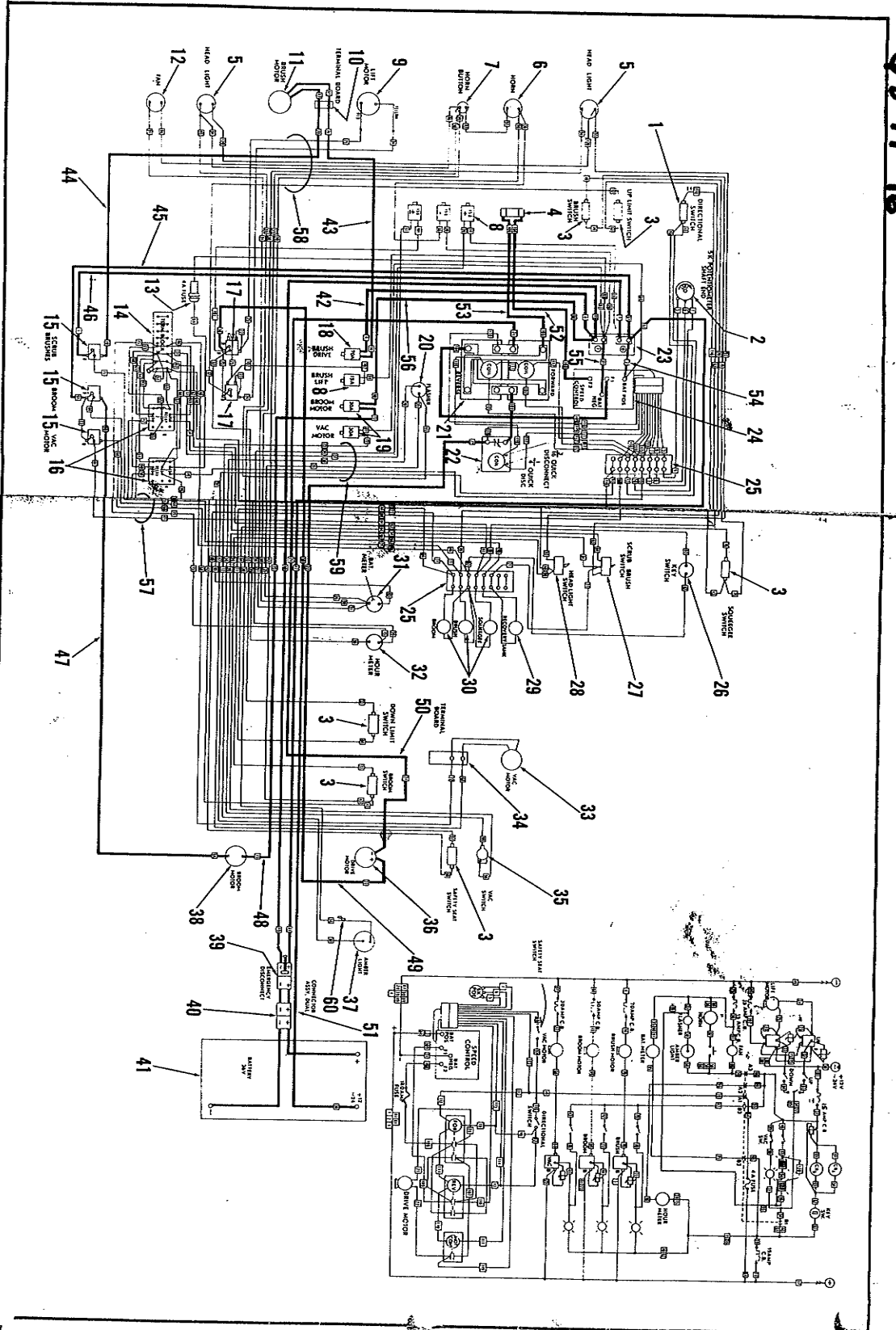


ITEM	PART NO	QTY	DESCRIPTION
64	454 380	1	PC BOARD ASSEMBLY
65	454 381	1	RESISTOR 120 OHMS
66		2	SCREW, PAN HD. #2-56 x 1/4
67	454 384	1	THERMISTOR
68	454 388	1	SCR
69	454 374	1	WIRE ASSEMBLY
70	454 373	A/R	TUBING, SHRINKABLE
71	454 382	1	CAPACITOR 40 MFD, 200 V
72	454 375	1	WIRE ASSEMBLY
73	454 376	1	STUD 1/4-20 x 5/16
74	454 383	1	TRANSFORMER ASSEMBLY
75	454 377	1	SHUNT
76	454 379	4	STANDOFF ASSEMBLY
77	454 385	1	SCR
78	454 386	2	DIODE
79	454 387	1	SCR
80		2	SCREW, PAN HD. #8-32 x 2 3/4
81		2	LOCKWASHER #8
82		2	SCREW, PAN HD. PHILL. #10-32 x 1/2
83		11	WASHER, FLAT 5/8 BR
84		7	NUT 1/4-20 BR
85		11	LOCKWASHER 1/4 BRONZE
86		2	SCREW, PAN HD. #6-32 x 3/8
87		2	LOCKWASHER #6
88		1	WASHER, CORK
89		2	SCREW, PAN HD. PHILL. #10-32 x 1/2
90		2	LOCKWASHER #10
91	454 372	2	SLEEVING, RUBBER 4"
92	454 389	3	CLAMP, NYLON (NOT SHOWN)

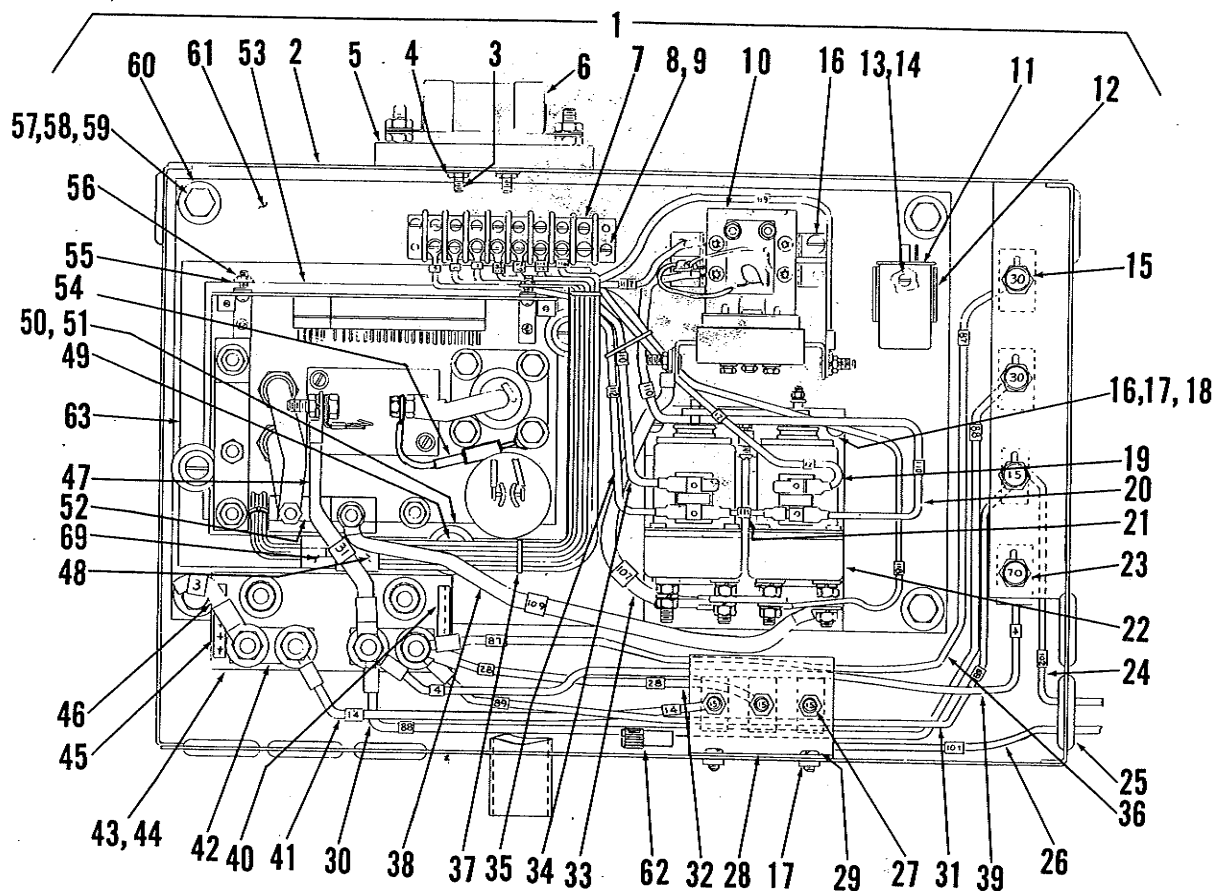




ELECTRICAL SCHEMATIC



ELECTRICAL SCHEMATIC



ITEM	PART NO	QTY	DESCRIPTION	ITEM	PART NO	QTY	DESCRIPTION
1	454 710	1	ELECTRICAL CONTROL PANEL	33	454 838	1	CABLE ASSEMBLY #4 x 11.50 (NO. 107)
2	454 714	1	PANEL, ELECTRICAL	34	454 848	1	WIRE ASSEMBLY #14 x 10.25 (NO. 10)
3		2	SCREW, FLAT HD. #10-24 x 1"	35	454 846	1	WIRE ASSEMBLY #14 x 9.50 (NO. 112)
4		2	NUT, WHIZ #10-24	36	454 430	1	WIRE ASSEMBLY #10 x 23 (NO. 87)
5	395 460	1	BLOCK, CLAMP FUSE	37	325 219	3	WIRE TIE 4"
6	454 278	1	FUSE, CLAMP 120 AMP	38	454 840	1	CABLE ASSEMBLY #4 x 14 (NO. 109)
7	454 445	1	BOARD, TERMINAL	39	454 560	1	CABLE ASSEMBLY #6 x 14 (NO. 4)
8		2	SCREW, PAN HD. #8-32 x 1/2	40	016 700	1	DECAL, NEGATIVE
9		2	WASHER, SHAKEPROOF #8	41	454 530	1	WIRE ASSEMBLY #14 x 16 (NO. 14)
10	454 720	1	CONTACTOR 36 V	42	454 728	2	PLATE, COPPER
11	448 668	1	FLASHER, SIGNAL 12 V	43	454 726	1	TERMINAL BOARD
12	478 275	1	CLIP, FLASHER	44	228 052	2	BUSHING .31 x .50 x .53 (NOT SHOWN)
13		2	SCREW, PAN HD. 6-32 x 1/4	45	016 704	1	DECAL, POSITIVE
14		2	WASHER, SHAKEPROOF #6	46	454 830	1	CABLE ASSEMBLY #4 x 5 (NO. 3)
15	454 423	2	CIRCUIT BREAKER 30 A	47	454 834	1	CABLE ASSEMBLY #4 x 8.75 (NO. 31)
16		6	SCREW, PAN HD. 10-24 x 1/4	48	454 744	1	CONNECTOR ASSEMBLY
17		8	WASHER, SHAKEPROOF #10	49		3	SCREW, PAN HD. 1/4-20 x 1"
18		4	WASHER, FLAT #10	50		3	WASHER S.A.E. 1/4
19	454 852	1	WIRE ASSEMBLY #14 x 11 (NO. 12)	51		3	LOCKWASHER S.A.E. 1/4
20	454 854	1	WIRE ASSEMBLY #14 x 14 (NO. 110)	52	454 723	1	GUARD, PLASTIC
21	454 844	1	WIRE ASSEMBLY #14 x 2 (NO. 111)	53	454 722	1	CONTROL, SCR
22	454 716	1	CONTACTOR 36 V	54	454 667	1	SNUBBER
23	454 429	1	CIRCUIT BREAKER 70 A	55		4	WASHER #6
24	454 737	1	WIRE ASSEMBLY #14 x 23 (NO. 102)	56		6	NUT, HEX #6-32
25	477 514	7	GROMMET 1.25	57		10	LOCKWASHER S.A.E. 5/16
26	454 581	1	WIRE ASSEMBLY #14 x 15 (NO. 101)	58		12	NUT 5/16-18
27	454 538	4	CIRCUIT BREAKER 15 A	59		4	SCREW, HEX HD. 5/16-18 x 1"
28	454 416	1	BRACKET, FUSE	60		14	WASHER, FLAT 5/16
29		2	SCREW, PAN HD. 10-24 x 3/8	61	454 732	1	PLATE, ALUMINUM
30	454 566	1	CABLE ASSEMBLY #6 x 18 (NO. 88)	62	454 434	1	FUSE HOLDER ASSEMBLY WITH
31	454 735	1	WIRE ASSEMBLY #14 x 19 (NO. 89)			1	FUSE 4 A
32	454 540	1	WIRE ASSEMBLY #14 x 11 (NO. 28)	63	454 390	1	INSULATION

ELECTRICAL PANEL

ELECTRICAL SCHEMATIC

ITEM	PART NO	QTY	DESCRIPTION
1	761 452	1	SWITCH, DIRECTIONAL
2	454 740	1	POTENTIOMETER
3	171 225	6	SWITCH, SNAP SPST
4	454 278	1	FUSE, 120 AMP
5	454 528	2	HEADLIGHT
6	442 054	1	HORN
7	441 555	1	BUTTON, HORN
8	454 538	4	BREAKER, CIRCUIT 15 AMP
9	469 880	1	ACTUATOR, LEFT MOTOR 12 V
10	454 441	1	BLOCK, TERMINAL
11	454 454	1	MOTOR, BRUSH 36 V, 2.25 HP
12	454 531	1	MOTOR, FAN BLOWER
13	454 434	1	FUSE HOLDER ASSEMBLY 4 AMP
14	454 445	1	BLOCK, TERMINAL
15	371 394	5	SOLENOID, 24 V
16	454 432	2	RELAY, 24 V
17	470 750	2	SOLENOID, 24 V
18	454 429	1	BREAKER, CIRCUIT 70 AMP
19	454 423	2	BREAKER, CIRCUIT 30 AMP
20	448 668	1	FLASHER
21	454 716	1	CONTACTOR, 36 V
22	454 720	1	CONTACTOR, 36 V
23	454 726	1	BLOCK, TERMINAL
24	454 722	1	SPEED CONTROL
25	454 445	2	BLOCK, TERMINAL
26	441 538	1	SWITCH, KEY SPST
27	468 359	1	SWITCH, TOGGLE - BRUSH
28	207 075	1	SWITCH, TOGGLE - HEAD LIGHT
29	454 422	1	LIGHT, PILOT 28 V RECOVERY TANK
30	454 525	3	LIGHT, PILOT
31	448 662	1	METER, BATTERY
32	478 361	1	METER, HOUR
33	454 335	1	MOTOR, VAC MOTOR
34	454 444	1	BLOCK, TERMINAL
35	454 463	1	SWITCH, VACUUM
36	454 484	1	MOTOR, DRIVE 36 V DC 4 HP
37	448 660	1	LIGHT, AMBER
38	454 457	1	MOTOR, BROOM 36 V 1 HP
39	454 590	1	EMERGENCY DISCONNECT
40	478 614	1	CONNECTOR ASSEMBLY, DUAL
41	454 400	1	BATTERY, 36 V
42	454 560	1	CABLE ASSEMBLY (4) #6 x 14.00
43	454 570	1	CABLE ASSEMBLY (74) #6 x 30 1/2
44	454 564	1	CABLE ASSEMBLY (70) #6 x 18 3/4
45	454 574	1	CABLE ASSEMBLY (61) #6 x 39
46	454 572	1	CABLE ASSEMBLY (1) #6 x 34
47	454 578	1	CABLE ASSEMBLY (69) #6 x 78
48	454 576	1	CABLE ASSEMBLY (73) #6 x 68
49	454 554	1	CABLE ASSEMBLY (22) #4 x 56
50	454 556	1	CABLE ASSEMBLY (21) #4 x 62
51	454 580	1	CABLE ASSEMBLY (30) #6 x 91 1/2
52	454 842	1	CABLE ASSEMBLY (108) #4 x 42
53	454 843	1	CABLE ASSEMBLY (106) #4 x 42
54	454 830	1	CABLE ASSEMBLY (3) #4 x 5.00
55	454 834	1	CABLE ASSEMBLY (31) #4 x 8.75
56	454 566	1	CABLE ASSEMBLY (88) #6 x 18.00
57	454 502	1	HARNESS ASSEMBLY
58	454 870	1	HARNESS ASSEMBLY
59	454 876	1	HARNESS ASSEMBLY
60	469 382	1	TERMINAL, 1/4" INS. TAB