



Electronic Service Manuals

This electronic document is provided as a service to our customers. We do not create the contents of the information contained in this document. Should you have detailed questions pertaining to the information contained in this document, you may contact Michco, or the manufacturer which provided the original information in this electronic deliverable. Michco's only part in this electronic deliverable was the electronic assembly process.

You may contact Michco through the following methods:
Phone (517) 484-9312 or (800) 331-3339 MI, OH, IN only
2011 N. High St. -- Lansing, Michigan -- 48906
Fax: (517) 484-9836
Email: CustServ@Michco.com
Web site: www.Michco.Com
Parts Web site: www.FloorMachineParts.Com

Order Parts on Line at:
www.FloorMachineParts.Com

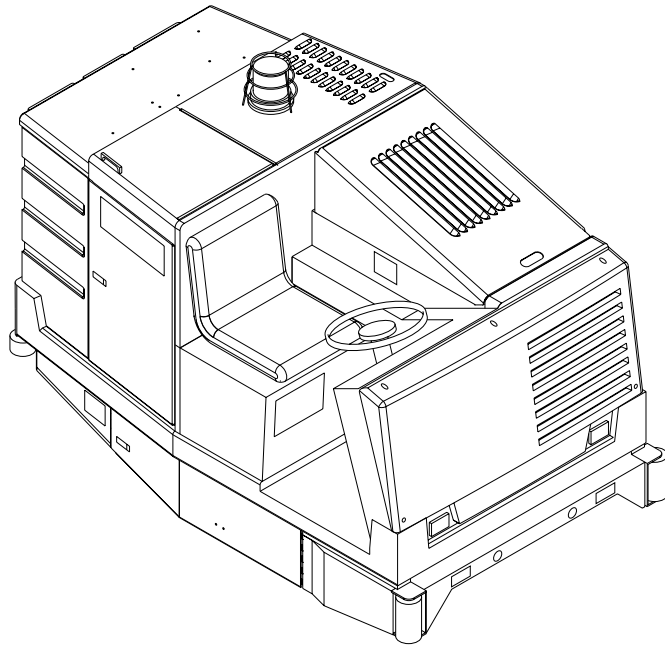
Directly to Parts & Service:
By Email: **Shop@Michco.com**
By Fax: (517) 702-2041
By Voice: Use numbers above.

Serving the Cleaning Industry Since 1922

Notice: All copyrighted material remains property of original owners, all trademarks are property of respective owners. Manuals are subject to Manufacturer's reproduction limitations. Originals or reproductions were provided by manufacturers through a request. We make no warranty as to the correctness of information provided in this document and you assume all risk.

Hydro-Retriever™ 2052

CR 1300



PARTS LIST

Advance MODELS 56459500(gas), 56459501(propane)
56459502(gas/Hydro-Max™II), 56459503(propane/Hydro-Max™II)
Nilfisk MODELS 56455972 (gas), 56455971 (propane)



Nilfisk
Advance

setting standards

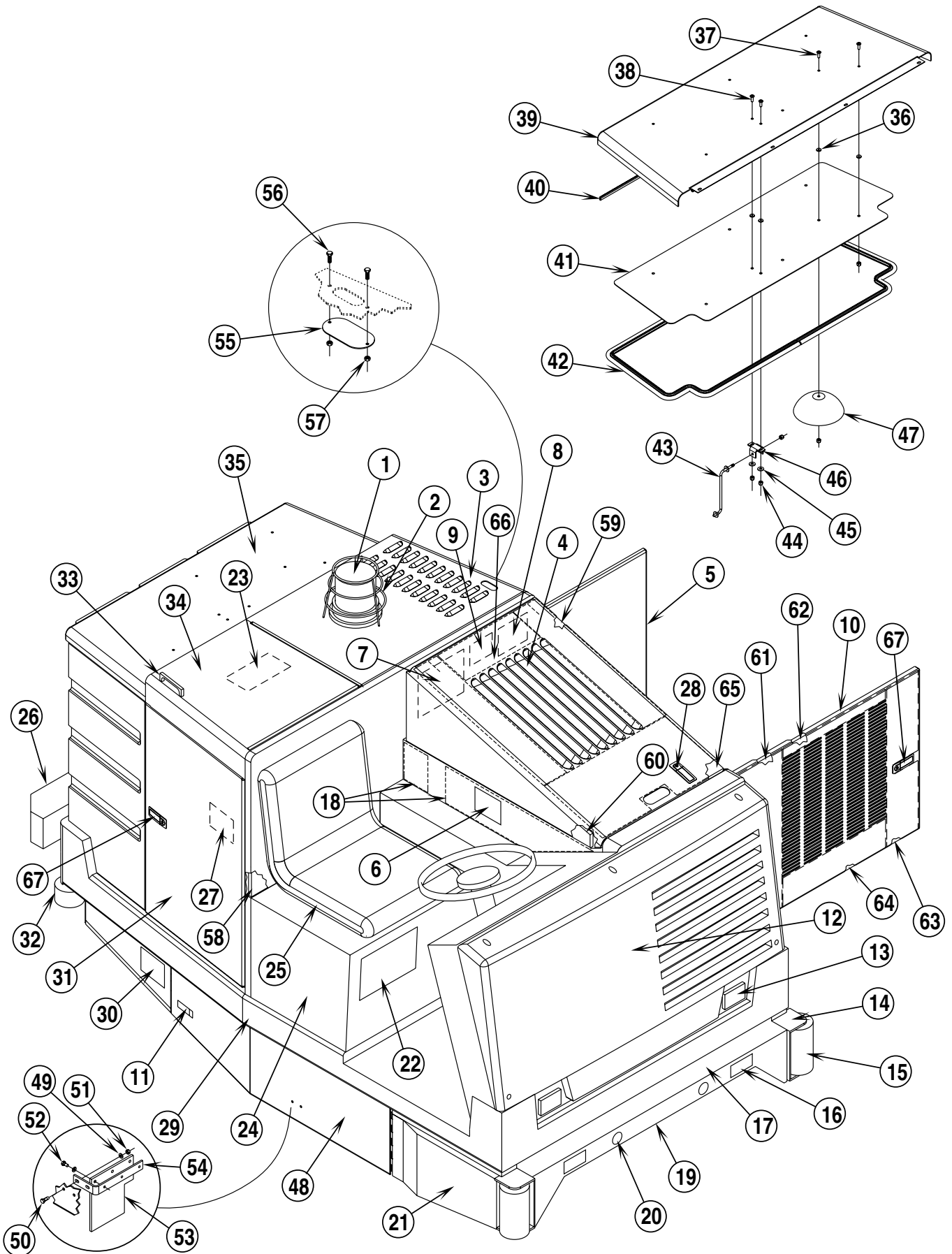
6/99 revised 8/04 FORM NO. 56042351
BOOK E SECTION 9.6.1

DESCRIPTION	PLAN
OUTER BODY-1	E-9.6.1-3
OUTER BODY-2 (after Sept. 1999)	E-9.6.1-5
OPERATOR'S COMPARTMENT	E-9.6.1-7
RADIATOR & AIR FILTER	E-9.6.1-9
ENGINE ASSEMBLY	E-9.6.1-11
FUEL TANK ASSEMBLY	E-9.6.1-13
LP TANK ASSEMBLY	E-9.6.1-15
LP SYSTEM	E-9.6.1-17
GOVERNOR ACTUATOR ASSEMBLY	E-9.6.1-19
DRIVE PEDAL LINKAGE (before SN 1361293)	E-9.6.1-21
DRIVE PEDAL LINKAGE (after SN 1361292)	e-9.6.1-23
OIL RESERVOIR ASSEMBLY	E-9.6.1-25
CONTROL VALVE ASSEMBLY	E-9.6.1-27
BRUSH DRIVE ASSEMBLY	E-9.6.1-29
FRONT SKIRTS	E-9.6.1-31
STEERING / SPINDLE ASSEMBLY	E-9.6.1-33
BROOM HOUSING	E-9.6.1-35
RIGHT DOOR / LEFT BLADE ASSEMBLIES	E-9.6.1-37
HYDRAULIC DIAGRAM	E-9.6.1-39
SOUND BOX ASSEMBLY	E-9.6.1-41
IMPELLER & JACKSHAFT	E-9.6.1-43
FRONT DRIVE WHEELS	E-9.6.1-45
BRAKE SYSTEM	E-9.6.1-47
SQUEEGEE SYSTEM (before SN 1312263)	E-9.6.1-49
SQUEEGEE ASSEMBLY (before SN 1312263)	E-9.6.1-51
ACTUATOR ASSEMBLY (before SN 1312263)	E-9.6.1-53
SQUEEGEE SYSTEM (after SN 1312262)	E-9.6.1-55
MOUNT ASSEMBLY (after SN 1312262)	E-9.6.1-57
SQUEEGEE ASSEMBLY (after SN 1312262)	E-9.6.1-59
ACTUATOR ASSEMBLY (after SN 1312262)	E-9.6.1-61
SOLUTION SYSTEM (STANDARD)	E-9.6.1-63
SOLUTION SYSTEM (HYDRO-MAX™ II)	E-9.6.1-65
RECOVERY TANK (STANDARD)	E-9.6.1-67
RECOVERY TANK (HYDRO-MAX™ II)	E-9.6.1-69
WIRING DIAGRAM (before SN 1361293)	E-9.6.1-71
WIRING DIAGRAM (after SN 1361292)	E-9.6.1-73
WIRING DIAGRAM (after SN 1361292) Cont.	E-9.6.1-75
BROOM SELECTOR GUIDE	E-9.6.1-76
BRUSH SELECTOR GUIDE	E-9.6.1-77

WHEN ORDERING PARTS

- * Use the 8 digit numbers from the "Ref. No." columns in this parts list.
- * Specify the model and serial number of the machine.
- * Use the space below to record the model and serial number for future reference.

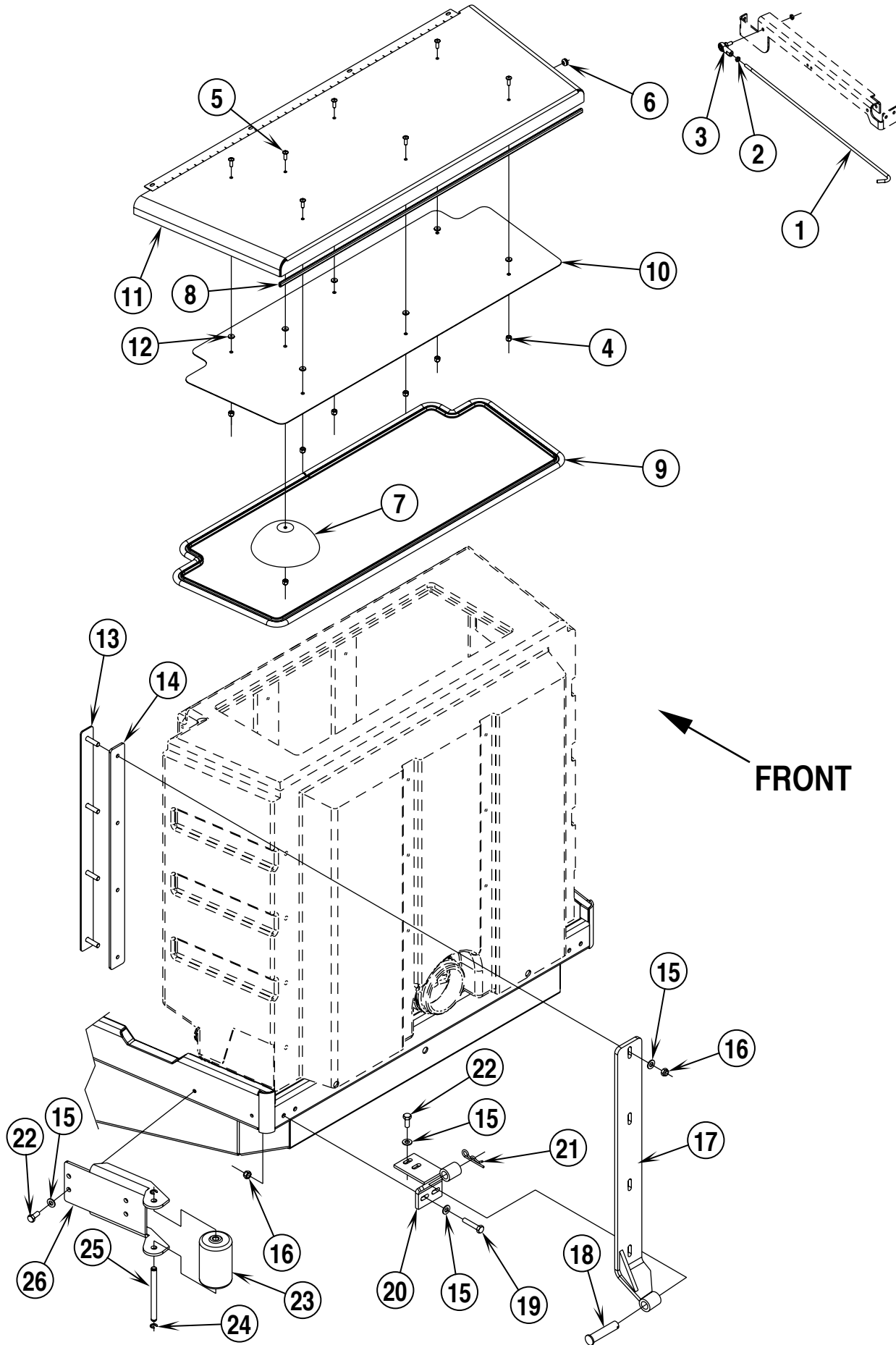
Model _____ Serial No. _____



99-6	OUTER BODY-1	BOOK E		
02-8	Hydro-Retriever™ 2052G/P / CR 1300G/P	E	9.6.1	3

Item	Ref. No.	Qty	Description	Item	Ref. No.	Qty	Description
1	56482463	1	Strobe Light TSB 743	35	56455512	1	Rear Cover Assembly (#36-47) (before Oct. 1999)
2	56482464	1	Light Guard	36	56900737	9	Wsh, Sealing 1/4
3	56455370	1	Cover, Top Left	37	56002957	7	Scr, Pan Phil SS 1/4-20 x .75
4	56455445	1	Hood Weld't.	38	56003087	2	Scr, Pan Phil SS 1/4-20 x .88
*	56457624	1	Hinge	39	56455511	1	Cover Weld't.
*	56385238	1	Cylinder	40	56455637	1	Trim, Rear Cover
*	56386314	2	Leg, Leveler	41	56455683	1	Plate, Recovery Tank
*	56386316	2	Cap, snap	42	56483549	1	Gasket
5	56455368	1	Door, Left	43	56455514	1	Prop Weld't.
*	56455587	1	Hinge	44	56002491	11	Nut, Hex Nyl Loc SS 1/4-20
*	56386314	2	Leg, Leveler	45	56002914	2	Wsh, Flt STD SS 1/4
*	56386316	2	Cap, snap	46	56455404	1	Mount, Prop
6	56015427	1	Decal, Warning Tip Over	47	56454718	1	Deflector
7	56016117	1	Decal, Hydraulic	48	56455593	1	Right Broom Door Assembly
8	56015424	1	Decal, Warning Hydraulic	49	56002098	5	Wsh, Flt SAE 1/4
9	56014704	1	Decal, RPM	50	56002155	2	Scr, Hex Hd 1/4-20 x .75
10	56455597	1	Door, Engine	51	56002708	2	Nut, Hex Nyl Loc 1/4-20
*	56455598	1	Hinge	52	56009033	7	Scr, Hex Thd Form 1/4-20 x .50
*	56386314	2	Leg, Leveler	53	56455322	1	Guard, Right Splash
*	56386316	2	Cap, snap	54	56455326	1	Mount, Splash Guard
11	56493272	2	Door Latch (2052) TSB 760	*	56455506	1	Right Door Weld't.
	56418471	2	Door Latch (CR 1300)	*	56493272	1	Door Latch TSB 760
12	56455585	1	Fascia, Front End (2052)	*	56455595	1	Left Broom Door Assembly
	56455970	1	Fascia, Front End (CR 1300)	*	56002098	5	Wsh, Flt SAE 1/4
*	56009259	5	Scr, Pan Phil Type F 1/4-20 x 1.50	*	56002155	2	Scr, Hex Hd 1/4-20 x .75
13	56454528	2	Headlight	*	56002708	2	Nut, Hex Nyl Loc 1/4-20
*	56459069	2	Plate	*	56009033	7	Scr, Hex Thd Form 1/4-20 x .50
14	56457640	1	Skirt Weldment, Left	*	56455324	1	Guard, Left Splash
15	56409335	2	Bumper	*	56455326	1	Mount, Splash Guard
*	56409336	2	Pin	*	56455504	1	Left Door Weld't.
*	56003266	4	Ring, Ret Ext Type E	*	56493272	1	Door Latch TSB 760
16	56025478	2	Decal, Flow Control	55	56463663	1	Plate
17	56457635	1	Bracket Weld't.	56	56009100	2	Scr, Pan Phil Thd Blk 10-24 x .62
18	56455771	1	Insulation, L.H. Operators Panel	57	56002832	2	Nut, Hex Nyl Loc-Thin 10-24
19	56457643	1	Panel	58	56455783	1	Insulation, Seat Backrest Panel
20	56030080	2	Decal, Hands Clear	59	56455767	2	Insulation, Side Hood
21	56457642	1	Skirt Weldment, Right	60	56455765	1	Insulation, RH Side Hood
22	56015737	1	Decal, Impeller Drive	*	56455761	1	Insulation, LH Side Hood
23	56014517	1	Decal, Important	*	56455773	1	Insulation, Access Door
24	56459074	1	Panel Seat, Weld't.	61	56455805	1	Insulation, Front L.H. Door
*	56457632	1	Hinge	62	56455807	1	Insulation, Upper L.H. Door
25	56481346	1	Seat	63	56455806	1	Insulation, Rear L.H. Door
*	56495871	1	Seat Slide	64	56455823	1	Insulation, Lower L.H. Door
26	56456880	1	Weight	65	56455769	1	Insulation, Front Hood
27	56025506	1	Decal, LPG (Propane)	66	56455837	1	Insulation, Rear Hood
28	56455981	1	Lockable Door Latch	67	56455979	3	Lockable Door Latch
29	56455939	1	Chassis Weld't.				
30	56015425	2	Decal, Warning Broom				
31	56455399	1	Door, Right	*	56016363	2	Decal, Warning Hot
*	56455587	1	Hinge	**	56455457	1	Overhead Guard Kit
*	56386314	2	Leg, Leveler	**	56376501	1	Bumper Assembly Kit
*	56386316	2	Cap, snap	**	56455987	1	Backup Alarm Kit
32	56454003	2	Roller Kit (before Oct. 1999)	**	56459293	1	Hose & Wand Kit
*	56407006	2	Wheel, Roller (before Oct. 1999)	**	56419369	1	Seat Belt Kit
*	56454265	2	Mount, Roller (before Oct. 1999)				
33	56300101	1	Handle				
34	56455397	1	Right Cover Weld't.				
*	56455589	1	Hinge				
*	56455531	1	Prop Rod				
*	56455590	1	Retainer, Prop Rod				
*	56455528	1	Strut				

* = Not Shown
** = Optional Accessory

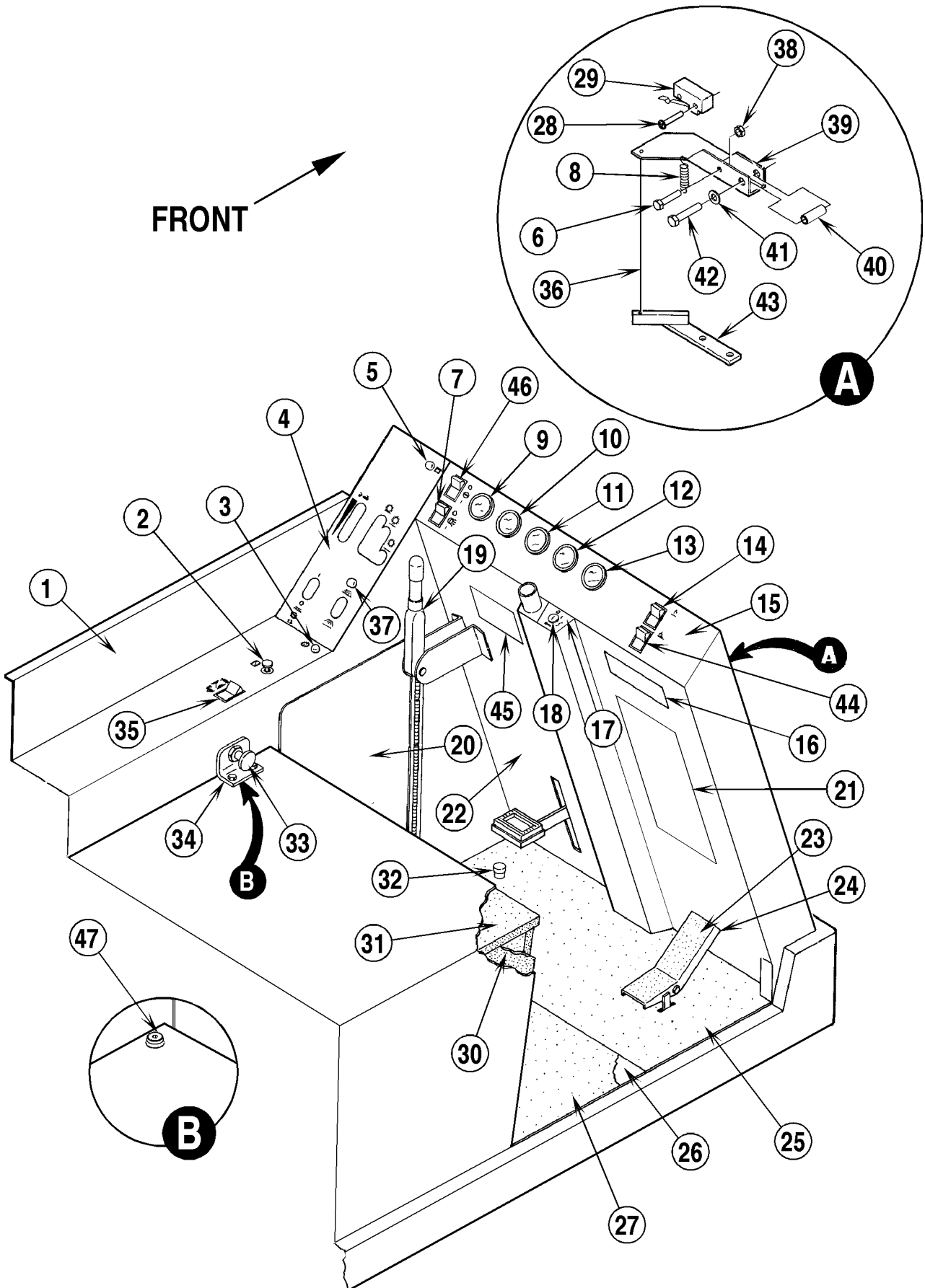


99-6	OUTER BODY-2 (after Sept. 1999)	BOOK E		
01-1	Hydro-Retriever™ 2052G/P / CR 1300G/P	E	9.6.1	5

Item	Ref. No.	Qty	Description
1	56455957	1	Prop Rod
2	56009142	2	Nut, Hex Machine 1/4-20
3	56463720	1	Rod End
4	56002491	7	Nut, Hex Nyl Loc SS 1/4-20
5	56002957	7	Scr, Pan Phil SS 1/4-20 x .75
6	56321559	1	Grommet
7	56454718	1	Deflector
8	56455637	1	Trim, Rear Cover
9	56483549	100"	Seal, Bubble
10	56456006	1	Seal, Cover
11	56456007	1	Cover Weldment
	56456008	1	Rear Cover Assembly (#4-12)
12	56900737	7	Washer, Sealing 1/4
13	56455927	2	Stud Plate Weldment
14	56455915	2	Gasket
15	56002063	20	Wsh, Flt SAE 3/8
16	56002769	12	Nut, Hex Nyl Loc 3/8-16
17	56455924	1	Left Top Hinge Weldment
*	56455976	1	Right Top Hinge Weldment
18	56455922	2	Pin, Hinge
19	56002091	4	Scr, Hex Hd 3/8-16 x 2.00
20	56455925	1	Left Bottom Hinge Weldment
*	56455978	1	Right Bottom Hinge Weldment
21	56477583	2	Pin, Hair
22	56002256	8	Scr, Hex Type F 3/8-16 x 1.00
	56456379	2	Rear Roller Kit (#22, 23-26) NOTE
23	56392102	2	Wheel, Roller
24	56003264	4	Ring, Ret Type E .50
25	56455995	2	Axle, Roller
26	56455991	2	Mount, Rear Roller

* = Not Shown

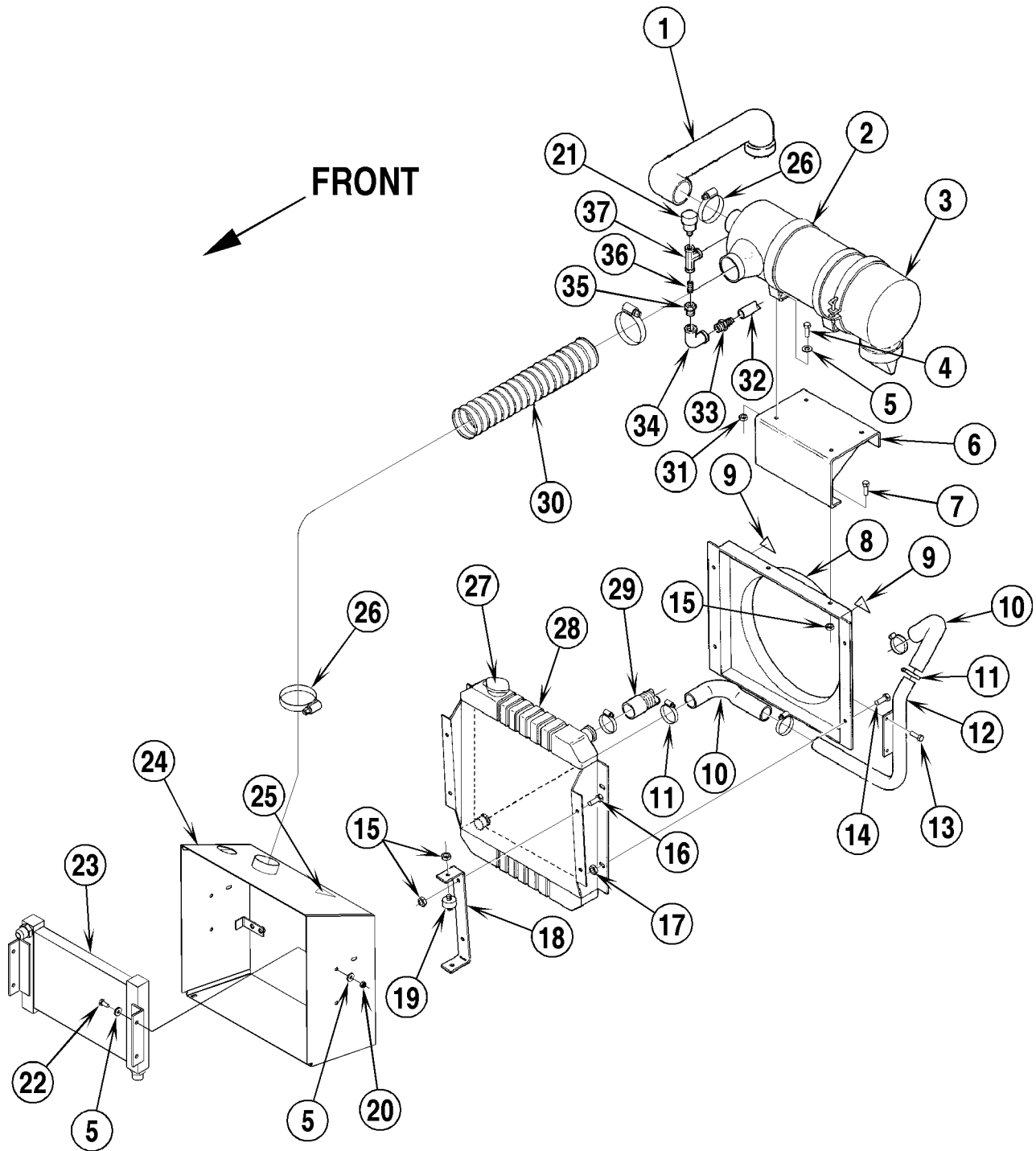
NOTE: This Kit comes standard on all models after Sept. 1999.



99-6	OPERATOR'S COMPARTMENT	BOOK E		
04-8	Hydro-Retriever™ 2052G/P / CR 1300G/P	E	9.6.1	7

Item	Ref. No.	Qty	Description
1	56457672	1	Panel
2	56760210	1	Choke Cable
3	56456469	1	Hydraulic Filter Indicator Light
4	56016145	1	Decal, Control Panel
5	56456544	1	Chemical Tank Low Indicator Light Hydro-Max™ II
6	56003078	1	Scr, Hex Hd 10-24 x 1.00
7	56262551	1	Headlight Switch
8	56245008	1	Spring
9	56478363	1	Hour Meter
10	56482044	1	Volt Meter
11	56489600	1	Coolant Temperature Gauge
12	56489592	1	Oil Pressure Gauge
13	56489598	1	Fuel Gauge
14	56262551	1	Squeegee Up-Down Switch
15	56016139	1	Decal, Control Panel
16	56014880	1	Decal, Important
17	56016141	1	Decal, Key Switch
18	56478640	1	Key Switch
*	56478641	1	Replacement Key
19	56448200	1	Parking Brake Lever
20	56457462	1	Door
21	56014601	1	Decal, Caution
22	56459070	1	Panel
23	56449958	1	Pedal, Mat
24	56455848	1	Pedal (after SN1273773)
	56497313	1	Pedal (before SN1273774)
25	56459235	1	Floor Mat
26	56459233	1	Floor Plate
27	56459234	1	Floor Mat
28	56003009	2	Scr, Hex Hd 6-32 x 1.00
29	56388019	1	Brush Switch
30	56457476	1	Foam
31	56457474	2	Foam
32	56441555	1	Horn Switch
33	56578214	1	Lock (2052 before SN1297455)
34	56457470	1	Bracket (2052 before SN1297455)
35	56455820	1	Rocker Switch
36	56456805	1	Cable
37	56456464	1	Brush Indicator Light
38	56002768	1	Nut, Hex Nyl Loc 10-24
39	56456807	1	Lever
40	56471220	1	Bushing
41	56002098	1	Wsh, Flt SAE 1/4
42	56001833	1	Scr, Hex Hd 1/4-20 x 1.50
43	56456809	1	Bracket
44	56262551	1	Solution Switch
45	56016203	1	Decal, Wear Items (2052 before SN1312263)
	56016247	1	Decal, Wear Items (2052 after SN1312262)
	56016347	1	Decal, Wear Items (CR 1300)
46	56262551	1	Recycle Switch, Hydro-Max II
47	56455982	1	Compression Latch (2052 after SN1297454 & all CR1300)

* = Not Shown



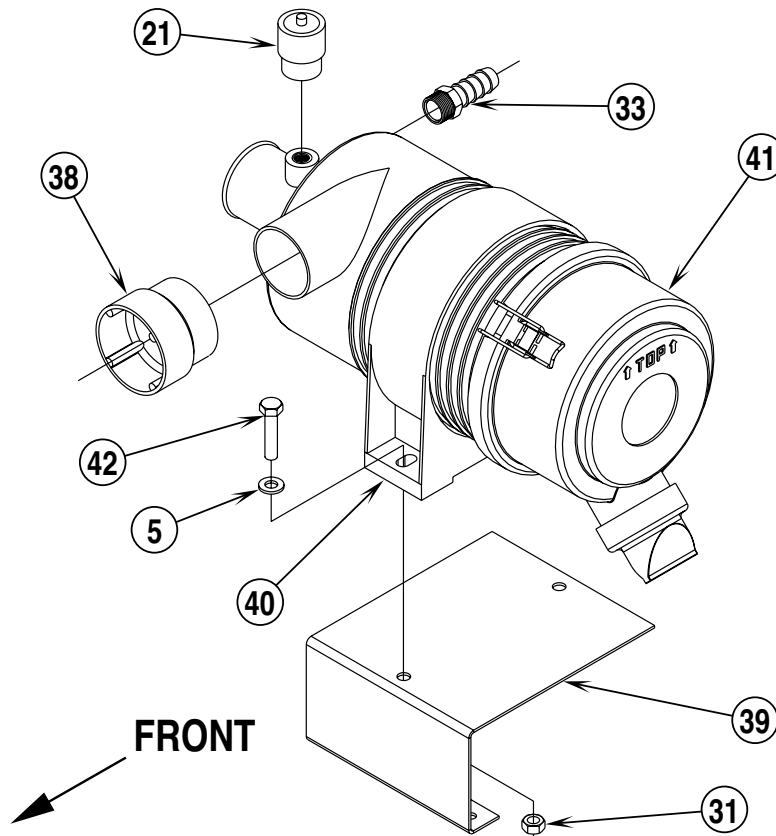
99-6	RADIATOR AND AIR FILTER	BOOK E		
01-1	Hydro-Retriever™ 2052G/P / CR 1300G/P	E	9.6.1	9

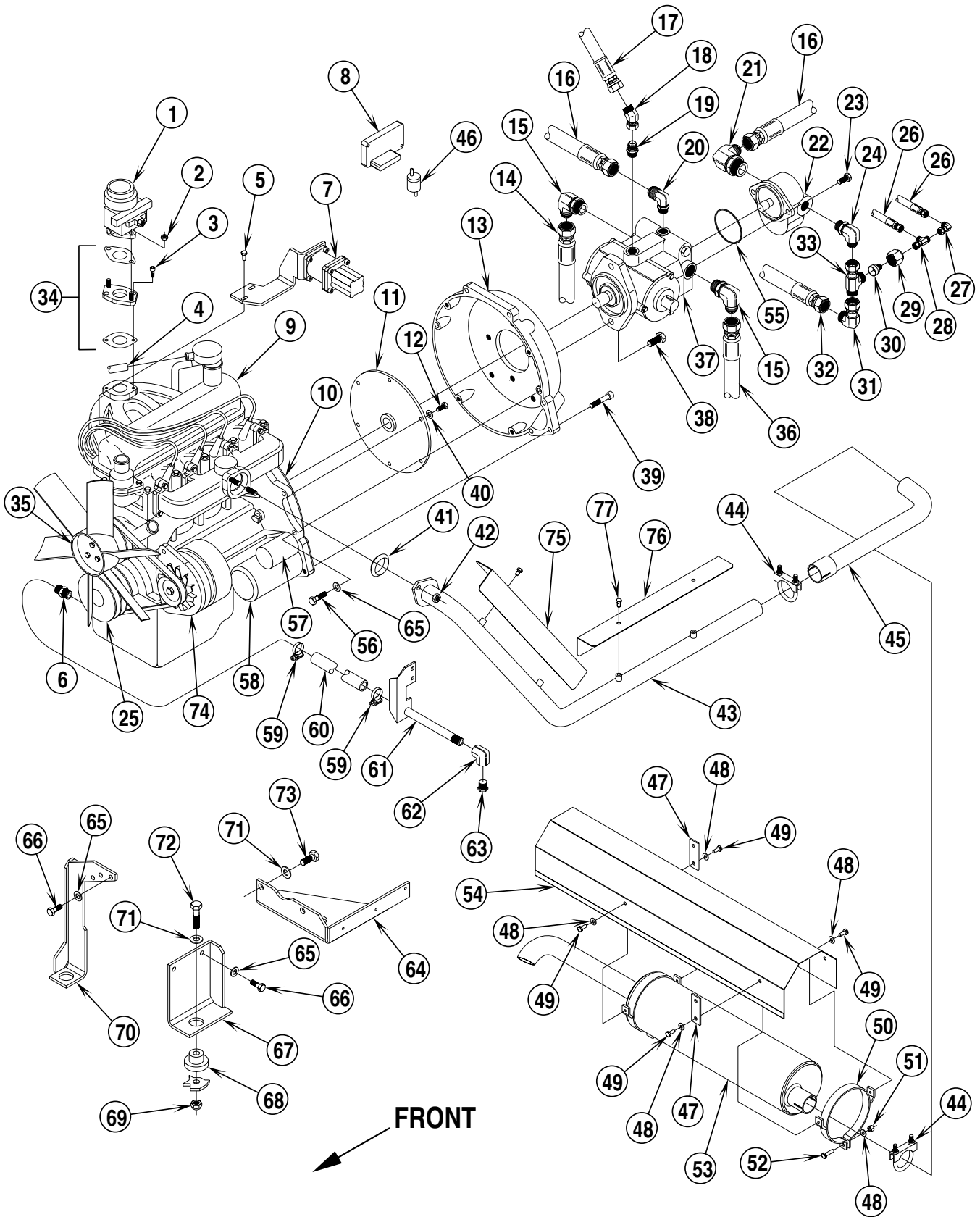
Item	Ref. No.	Qty	Description	Item	Ref. No.	Qty	Description
1	56459063	1	Hose	21	56478461	1	Service Indicator
2	56480650	2	Clamp (before SN 1326330)*	22	56002667	4	Scr, Hex Hd 5/16-18 x .75
3	56478710	1	Air Cleaner (before SN 1326330)*	23	56457282	1	Oil Cooler TSB 722
*	56478720	1	Primary Element (Outer)	24	56459478	1	Shroud
*	56478722	1	Secondary Element (Inner)	25	56016363	1	Decal, Warning Hot
4	56002035	4	Scr, Hex Hd 5/16-18 x .62	26	56440213	4	Hose Clamp
5	56001939	12	Wsh, Flt SAE 5/16	27	56456431	4	Radiator Cap
6	56459042	1	Mount (before SN 1326330)*	28	56457280	1	Radiator
7	56002155	2	Scr, Hex Hd 1/4-20 x .75	29	56482333	1	Radiator Hose
8	56459032	1	Shroud	30	56459044	1	Hose
9	56016364	2	Decal, Warning Fan	31	56002701	4	Nut, Hex Nyl Loc 5/16-18
10	56481287	2	Radiator Hose	32	56459064	1	Hose
11	56329145	6	Hose Clamp	33	56373456	1	Barb **Note 2
12	56462124	1	Tube	34	56340782	1	Elbow (before SN 1326330)
13	56002503	2	Scr, Hex Hd 10-24 x .50	35	56740214	1	Bushing (before SN 1326330)
14	56457286	4	Screw	36	56750746	1	Nipple (before SN 1326330)
15	56002708	14	Nut, Hex Nyl Loc 1/4-20	37	56752020	1	Tee (before SN 1326330)
16	56001836	4	Scr, Hex Hd 1/4-20 x .62	38	56455007	1	Adapter (after SN 1326329)
17	56003350	4	Nut, Hex M6	39	56455008	1	Bracket (after SN 1326329)
18	56456412	2	Strap	40	56482621	1	Clamp (after SN 1326329)
19	56478684	4	Rubber Mount	41	56412316	1	Air Cleaner (after SN 1326329)**Note 2
20	56002826	4	Nut, Hex Nyl Loc-Thin 5/16-18	•	56482029	1	Primary Filter
				•	56482028	1	Safety Filter
				42	56002221	2	Scr Hex 5/16-18 x 1.00 (after SN 1326329)

* = Not Shown

***Note:** The old style air cleaner is no longer available, to replace order items (38 – 42, reuse items 5 and 31).

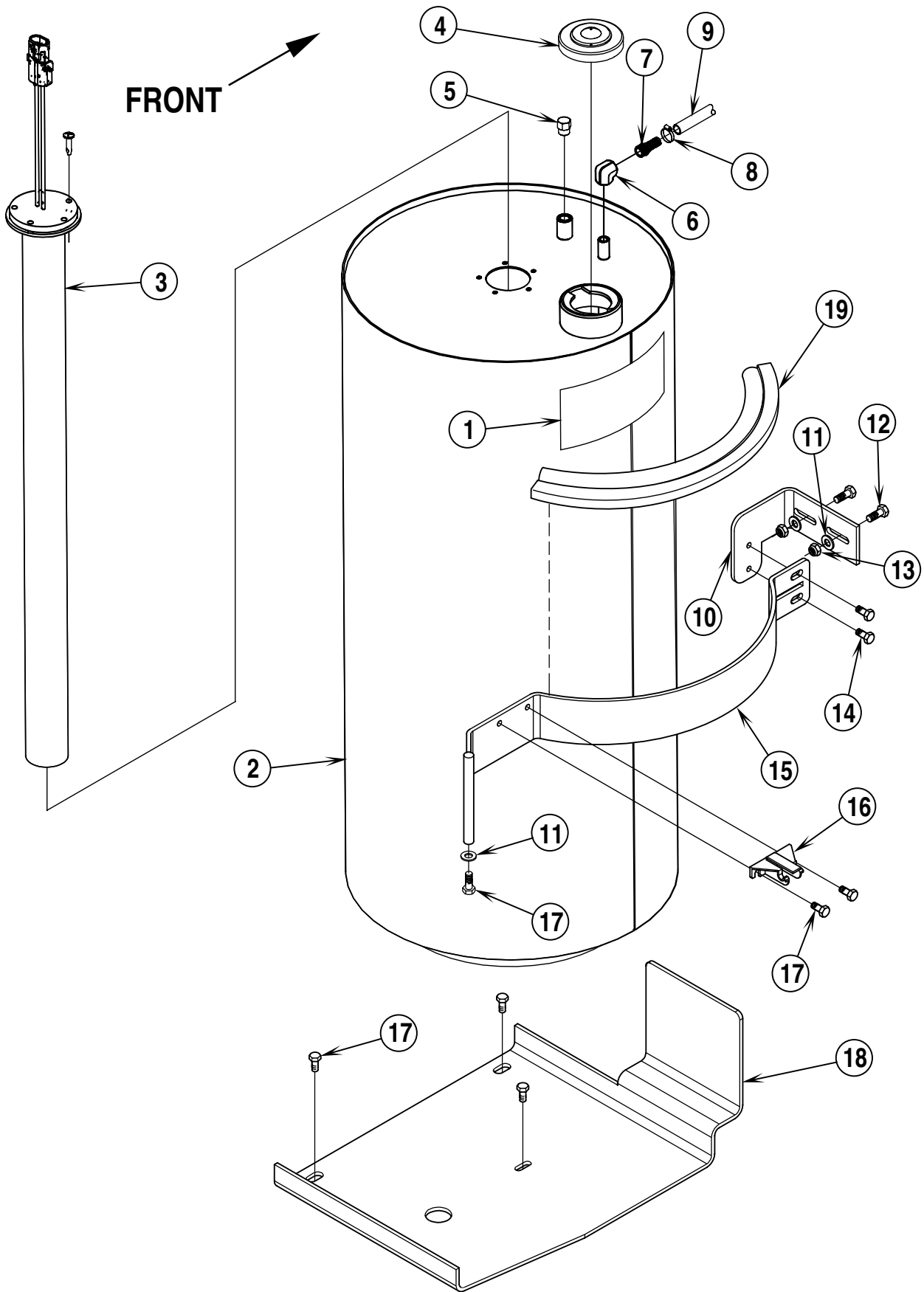
****Note 2:** To install Barb (33) to the new Air Cleaner (41) drill a 1/2" (13mm) dia. hole into the outlet tube of the air cleaner 90° from the Service Indicator port (as shown). Tap 1/4-18 NPT threads into the hole and screw the barb into the hole.





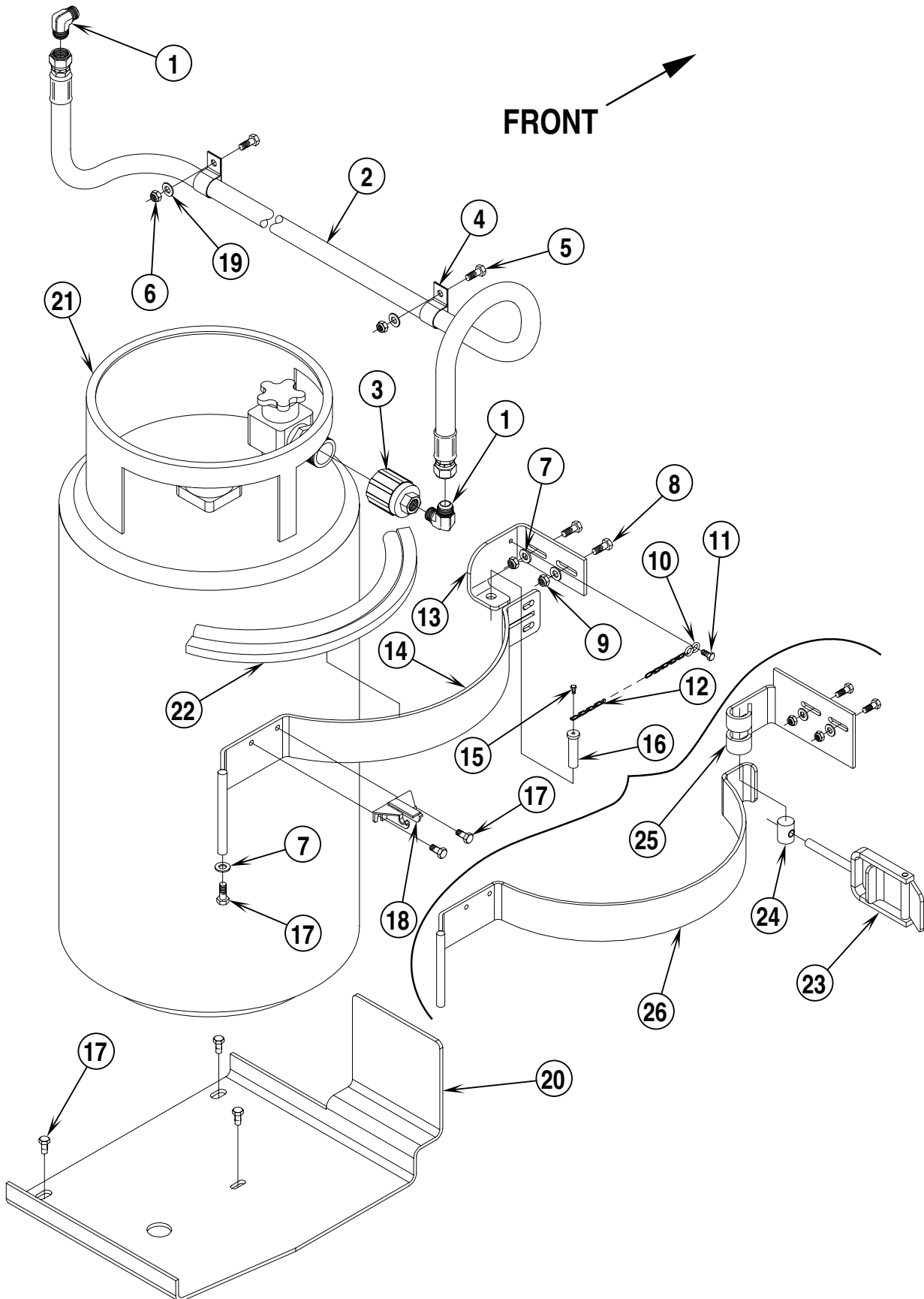
99-6	ENGINE ASSEMBLY	BOOK E		
02-5	Hydro-Retriever™ 2052G/P / CR 1300G/P	E	9.6.1	11

Item	Ref. No.	Qty	Description	Item	Ref. No.	Qty	Description
1	56462873	1	Carburetor, Gas TSB 809	49	56001836	4	Scr, Hex Hd 1/4-20 x .62
	56455028	1	Carb W/Rotary Act (after SN1563013)	50	56456368	2	Clamp Weld't.
2	56755930	2	Nut, Hex Machine M8	51	56009179	2	Nut, Hex Machine 1/4-20
3	56002762	2	Scr, Soc Hd Blk M6-1.0 x 20mm	52	56002093	2	Scr, Hex Hd 1/4-20 x 1.00
4	56459064	1	Hose	53	56455336	1	Muffler
5	56003174	2	Scr, Hex Hd M6-1.0 x 16mm	*	56482496	1	Spark Arrestor (Optional)
6	56462244	1	Adapter, Oil Drain	54	56455328	1	Shield, Heat
7	56455052	1	Gas Actuator Linkage Assy. (before SN1563014)	55	56488002	1	O-Ring
	56455049	1	LP Actuator Linkage Assy. (see associated pages)	56	56002095	6	Scr, Hex Hd 3/8-16 x 1.50
				57	56462869	1	Starter Solenoid
8	56462915	1	Module W/Harness TSB 749	58	56462055	1	Starter Motor
9	56462051	1	Engine, Gas		56462868	1	Starter Assembly (# 57-58)
	56459463	1	Engine Assembly, Gas	59	56112771	2	Clamp, Hose
	56462050	1	Engine, LP	60	56456437	1	Hose
	56459462	1	Engine Assembly, LP	61	56457140	1	Bracket Weld't.
10	56462054	1	Rear Engine Plate	62	56404274	1	Elbow, 3/8 x 90°
11	56462063	1	Coupler	63	56165263	1	Plug, Pipe 3/8
12	56002667	6	Scr, Hex Hd 5/16-18 x .75	64	56459047	1	Mount
13	56462083	1	Bell Housing	65	56002063	4	Wsh, Flt SAE 3/8
14	56456923	1	Hose	66	56003186	5	Scr, Hex Thd/Hd M10-1.50 x 25MM
15	56900106	2	Elbow, 90°	67	56459034	1	Mount
16	56456911	2	Hose	68	56478685	3	Rubber Mount
17	56479693	1	Hose	69	56002770	3	Nut, Hex Nyl Loc 1/2-13
18	56900326	1	Elbow, 45°	70	56459035	1	Mount
19	56900486	1	Adapter Old (1-1/16-12 x 3/4-16)	71	56001879	5	Wsh, Flt SAE 1/2
	56900006	1	Adapter New (1-1/16-12 x 1-1/16-12)	72	56002983	3	Scr, Hex Hd 1/2-13 x 2.00
20	56900909	1	Elbow, 90°	73	56001895	2	Scr, Hex Hd 1/2-13 x 1.00
21	56900117	1	Elbow, 90°	74	56452257	1	Alternator Group 51A (includes bracket, belt, pulley and hardware)
22	56497834	1	Pump, Hydraulic	75	56455775	1	Shield, Upper Exhaust Pipe Heat
23	56002234	2	Scr, Hex Hd 3/8-16 x .62	76	56455777	1	Shield, Lower Exhaust Pipe Heat
24	56900114	1	Elbow, 90°	77	56001862	4	Scr, Hex 5/16-18 x .50
25	56462472	1	Sheave, Crankshaft	*	56455811	1	Engine Wiring Harness (2052 before SN1301553)
26	56490167	2	Hose	*	56460004	1	Engine Wiring Harness (2052 after SN1301552 & all CR1300)
27	56900301	1	Elbow, 90°	*	56455231	1	Controller (Governor) (propane only after SN1563013)
28	56900341	1	Tee				
29	56900504	1	Nut				
30	56900462	1	Reducer				
31	56900304	1	Elbow, 90°		56455029	1	Controller, Rotary (gas after SN1563013)
32	56496220	1	Hose	*	56462862	1	Oil Filter
33	56900344	1	Tee	*	56462864	1	Water Pump
34	56455232	1	Carburetor Spacer Group	*	56462871	1	Fuel Pump
35	56459191	1	Fan	*	56462872	1	Fuel Pump Gasket
*	56459190	1	Spacer, Fan	*	56478698	1	Oil Pressure Sender
*	56462865	1	Fan Belt	*	56481888	1	Coolant Temperature Sender
36	56456933	1	Hose	*	56462887	1	Ignition Coil TSB 782
37	56459464	1	Pump, Piston	*	56463859	1	Ignition Coil TSB 782
38	56001831	2	Scr, Hex Hd 1/2-13 x 1.25	*	56463575	1	Spark Plug Wire Set TSB 782
39	56462062	5	Scr, Soc Hd Blk M10-1.50 x 30	*	56463854	1	Spark Plug Wire Set TSB 782
40	56001939	6	Wsh, Flt SAE 5/16	*	56456392	1	Battery Tray
41	56462053	1	Gasket, Exhaust	*	56441511	1	Battery, 12Vdc
42		2	Nut, M12-1.25	*	56469193	1	Battery Hold Down W/Screw
43	56459057	1	Exhaust Pipe	*	56459055	1	Battery Cable (Positive)
44	56456833	2	Clamp, Muffler	*	56456458	1	Battery Cable (Negative)
45	56456380	1	Exhaust Pipe	*	56372673	2	Boot, Battery
	56455334	1	Muffler Assembly (# 46-55)	*	56463847	1	Gasket, Rocker Arm Cover
46	56463610	1	Separator, Fuel	*	56463848	1	Gasket, Head
47	56459096	2	Mount				
48	56002098	6	Wsh, Flt SAE 1/4	* =	Not Shown		



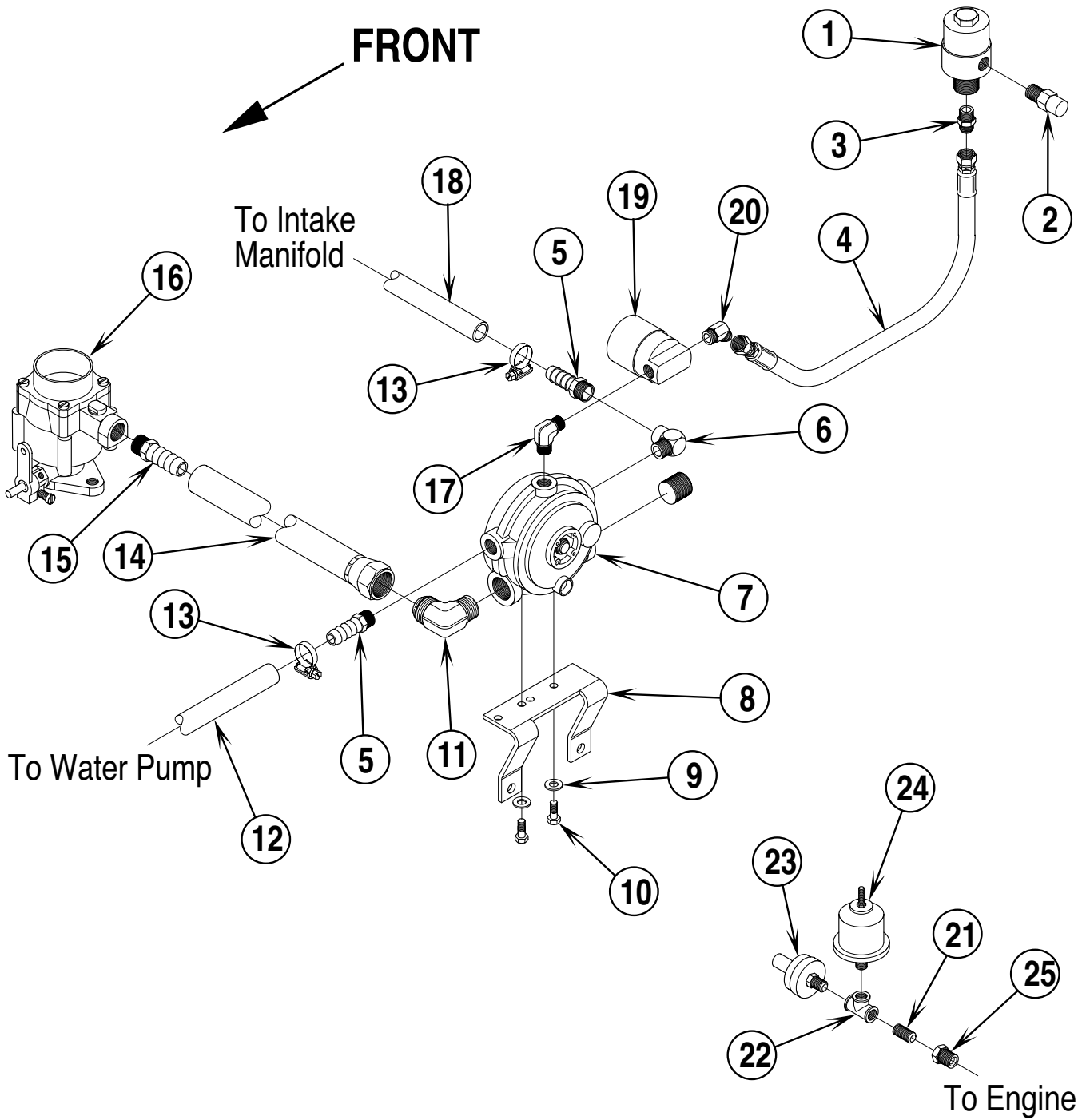
99-6	FUEL TANK ASSEMBLY	BOOK E		
01-1	Hydro-Retriever™ 2052G/P / CR 1300G/P	E	9.6.1	13

Item	Ref. No.	Qty	Description
	56455566	1	Fuel Tank Assembly (#1-5)
1	56016226	1	Decal, Gasoline
2	56455521	1	Fuel Tank
3	56455567	1	Fuel Level Sender
	56009209	5	Scr, Pan Phil Thd Form 10-24 x 1.00 (included with 56455567)
4	56478502	1	Cap, Fuel Tank
5	56481546	1	Plug, Hex Pipe
6	56111295	1	Elbow 1/8 NPT x 90 ⁰
7	56477523	1	Barb, 5/16 x 1/8 NPT
8	56219932	2	Clamp, Hose SAE 6
9	56459054	1	Hose (fuel line)
10	56455529	1	Mount, Front Strap
11	56002098	3	Wsh, Flt SAE 1/4
12	56002093	2	Scr, Hex Hd 1/4-20 x 1.00
13	56002708	2	Nut, Hex Nyl Loc 1/4-20
14	56009182	2	Scr, Hex Thd Form 1/4-20 x 1.00
15	56455442	1	Fuel Tank Strap Weld't.
16	56386058	1	Hanger
17	56009033	6	Scr, Hex Thd Form 1/4-20 x .50
18	56455673	1	Tray, Tank
19	56483549	2'	Seal



99-6	PROPANE TANK ASSEMBLY	BOOK E		
01-1	Hydro-Retriever™ 2052G/P / CR 1300G/P	E	9.6.1	15

Item	Ref. No.	Qty	Description
	56455613	1	L.P. Hose Assembly (#1-3)
1	56456608	2	Elbow, Male 90 ⁰
2	56456586	1	Hose
3	56369675	1	Coupler, Female
4	56496276	2	Clamp, Hose Support
5	56002221	2	Scr, Hex Hd 5/16-18 x 1.00
6	56002701	2	Nut, Hex Nyl Loc 5/16-18
7	56002098	3	Wsh, Flt SAE 1/4
8	56002093	2	Scr, Hex Hd 1/4-20 x 1.00
9	56002708	2	Nut, Hex Nyl Loc 1/4-20
10	56745391	1	Hook, S (2052 before SN1310136)
11	56009039	1	Scr, Hex Thd Form 10-24 x .50 (2052 before SN1310136)
12	56455534	1	Chain, Fuel Tank (2052 before SN1310136)
13	56455441	1	Mount, Front Strap (2052 before SN1310136)
14	56455442	1	Fuel Tank Strap Weld't. (2052 before SN1310136)
15	56002438	1	Scr, Pan Phil Thd Form 8-32 x .50 (2052 before SN1310136)
16	56455451	1	Pin (2052 before SN1310136)
17	56009033	6	Scr, Hex Thd Form 1/4-20 x .50
18	56386058	1	Hanger
19	56001939	2	Wsh, Flt SAE 5/16
20	56455673	1	Tray, Tank
21	56456590	1	Tank, L.P.
22	56483549	2'	Seal
23	56455862	1	Latch Weldment (2052 after SN1310135 & all CR1300)
24	56455867	1	Pivot, Yoke (2052 after SN1310135 & all CR1300)
25	56455870	1	Bracket, Yoke (2052 after SN1310135 & all CR1300)
26	56455861	1	Propane Tank Strap Weldment (2052 after SN1310135 & all CR1300)

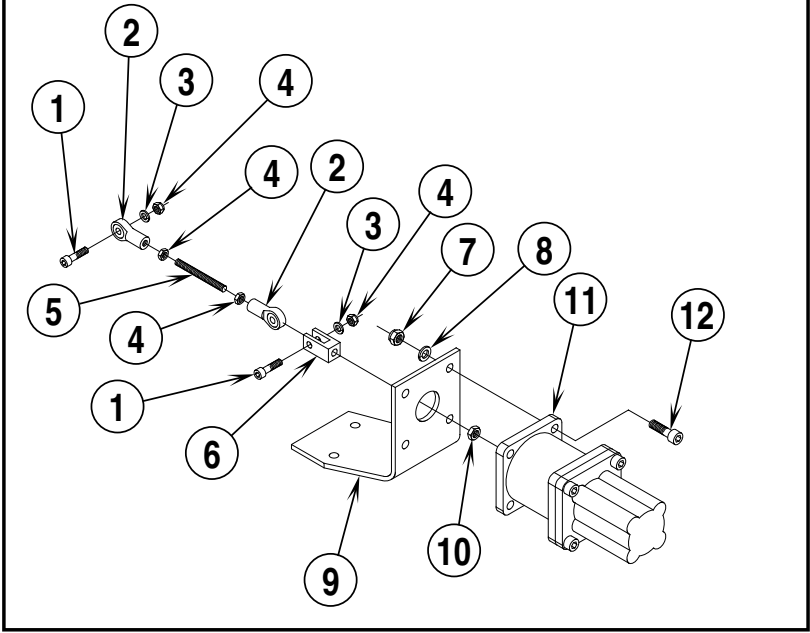


99-6	PROPANE SYSTEM	BOOK E		
01-1	Hydro-Retriever™ 2052G/P / CR 1300G/P	E	9.6.1	17

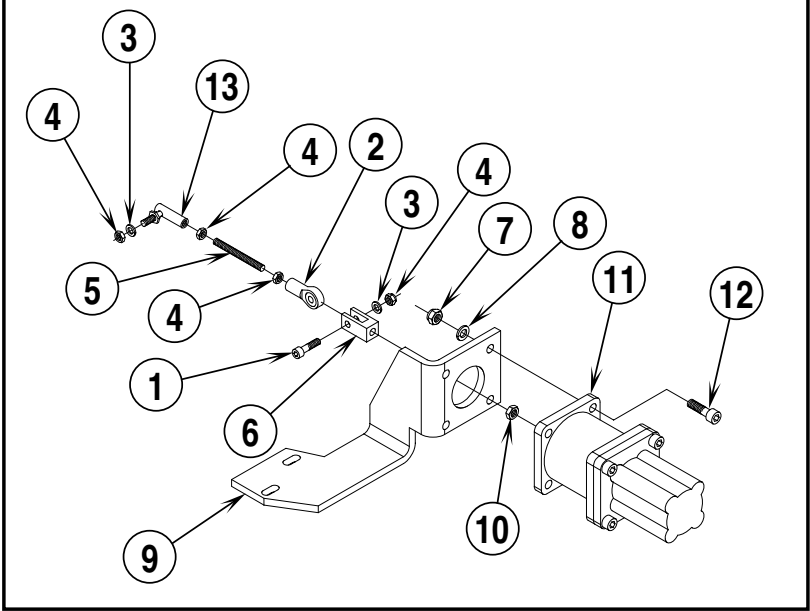
Item	Ref. No.	Qty	Description
1	56456622	1	LP Filter w/ Washer & Nut
2	56456624	1	Vent
3	56456600	1	Adapter
4	56456591	1	Hose
5	56456436	2	Barb
6	56900021	1	Elbow
7	56456628	1	Regulator
8	56462059	1	Bracket
9	56002098	2	Wsh, Fit SAE 1/4
10	56001854	2	Scr, Hex Hd 1/4-20 x .50
11	56456602	1	Elbow
12	56462070	1	Hose
13	56112771	4	Hose Clamp
14	56456596	1'	Hose, Push Lock
15	56456436	1	Barb 1/2 x 3/8
16	56462060	1	Carburetor
*	56455832	1	Replacement Throttle Lever
17	56456610	1	Elbow
18	56462069	1	Hose
19	56456626	1	Shut-Off Valve
20	56456598	1	Elbow
21	56750746	1	Nipple
22	56752020	1	Tee
23	56493146	1	Pressure Switch
24	56478698	1	Oil Pressure Sender
*	56100026	1	Fuel Pump Block-Off Plate
*	56100027	1	Gasket for above
25	56740214	1	Bushing

* = Not Shown

PROPANE ACTUATOR ASSEMBLY



GAS ACTUATOR ASSEMBLY

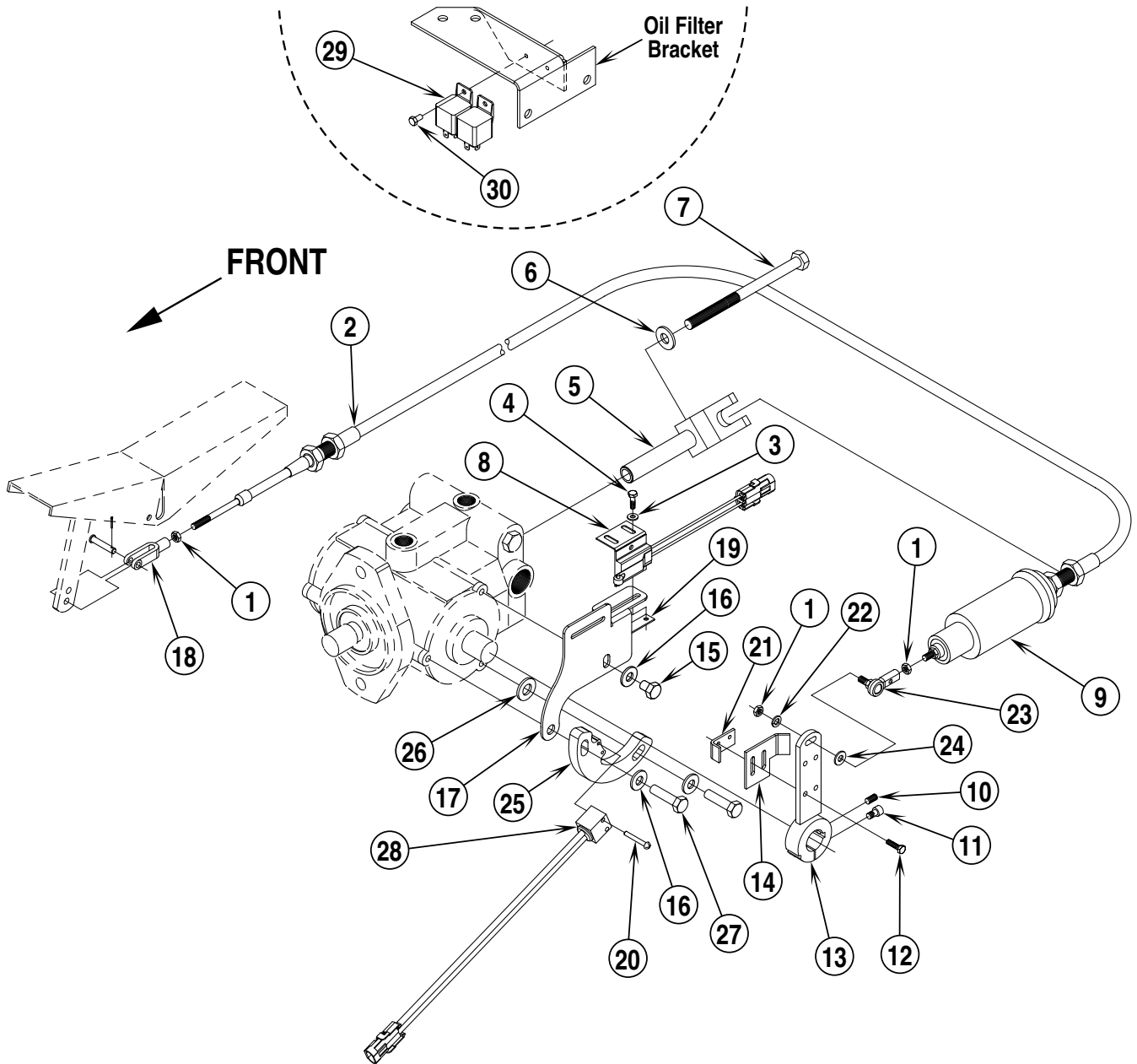


99-6	GOVERNOR ACTUATOR ASSEMBLY	BOOK E		
02-5	Hydro-Retriever™ 2052G/P / CR 1300G/P	E	9.6.1	19

Item	Ref. No.	Qty	Description
	56455049	1	Actuator / Linkage Assembly (Propane / #1-12)
	56455052	1	Actuator / Linkage Assembly (Gas / #1-13 / before SN1563014)
1	56455291	2	Scr, Pan Phil 10-32 x .75 (quantity of 1 on Gas)
2	56455284	2	Rod End Bearing (quantity of 1 on Gas)
3	56455287	2	Lock Washer #10
4	56455290	4	Nut, Hex Nyl Loc #10-32
5	56455286	1	Thd Rod 10-32 x 2.00
6	56455283	1	Clevis
7	56455289	4	Nut, Hex Nyl Loc 1/4-28
8	56455285	4	Lock Washer 1/4
9	56455228	1	Bracket, Actuator Mounting (Propane)
	56455001	1	Bracket, Actuator Mounting (Gas)
10	56455292	1	Nut, Hex M6-1.00
11	56455822	1	Actuator Assembly
12	56455288	4	Scr, Soc SS 1/4-28 x .87
13	56100101	1	Ball Joint (Gas)

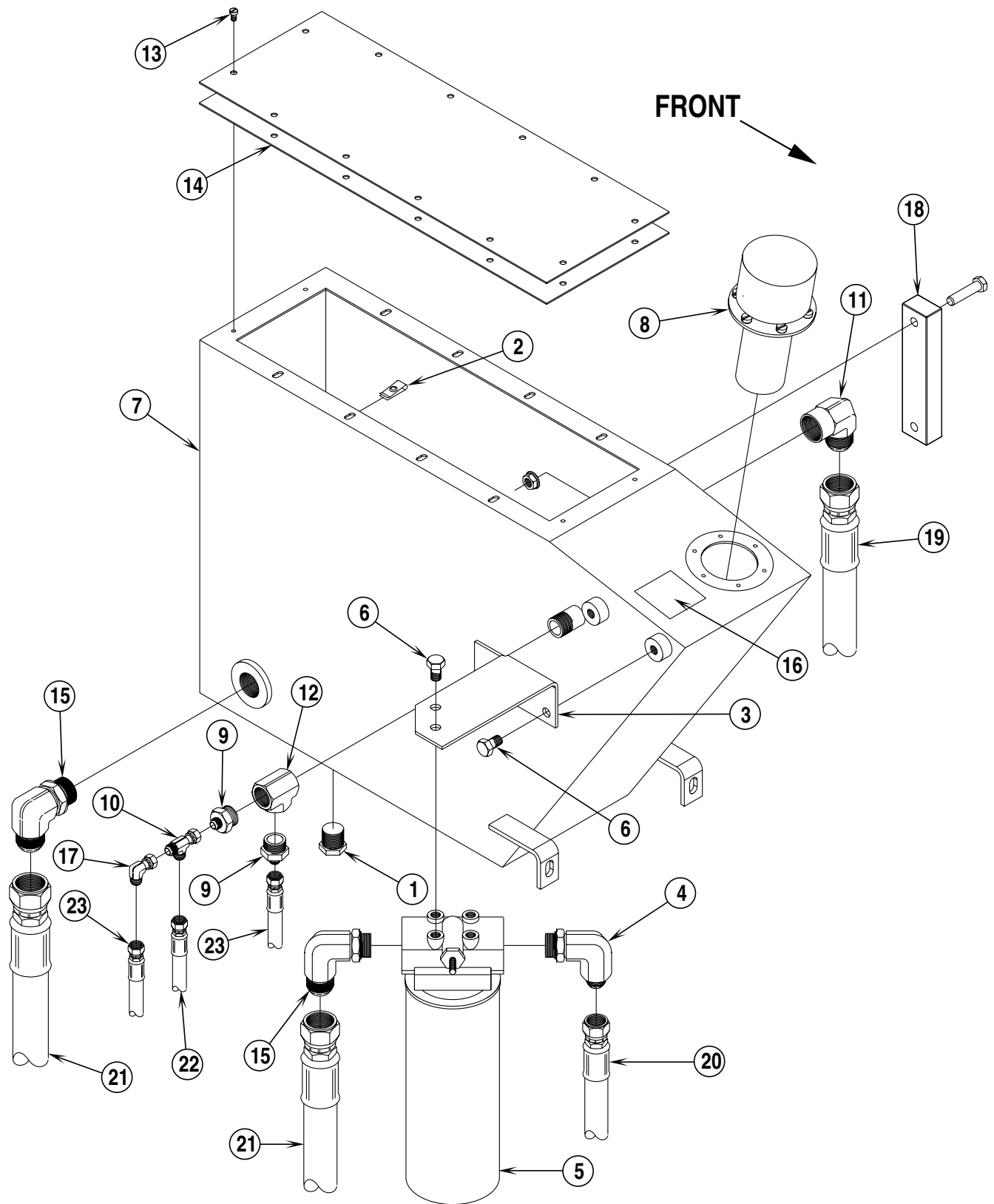
99-6	DRIVE PEDAL LINKAGE (before SN 1361293)	BOOK E		
01-1	Hydro-Retriever™ 2052G/P / CR 1300G/P	E	9.6.1	21

Item	Ref. No.	Qty	Description
1	56009142	3	Nut, Hex Machine 1/4-28
2	56455800	1	Cable (2052 after SN1259598 & all CR1300)
*	56459480	1	Cable (2052 before SN1259599)
3	56001954	2	Wsh, Flt SAE #10
4	56002503	2	Scr, Hex Hd 10-24 x .50
5	56455802	1	Bracket Weld't. (2052 after SN1259598 & all CR1300)
*	56482676	1	Bracket Weld't. (2052 before SN1259599)
6	56002063	1	Wsh, Flt SAE 3/8
7	56003044	1	Scr, Hex 3/8-16 x 6.50
8	56462362	1	Switch
9	56455827	1	Switch
10	56455799	1	Hydro-Back (2052 after SN1259598 & all CR1300)
*	56482539	1	Hydro-Back (2052 before SN1259599)
11	56002119	1	Scr, Soc Set Loc 1/4-20 x .50
12	56002115	1	Scr, Soc Hd 1/4-20 x .50
13	56002504	2	Scr, Hex 10-24 x .75
14	56455803	1	Pump Arm Weld't. (2052 after SN1259598 & all CR1300)
*	56482537	1	Pump Arm Weld't. (2052 before SN1259599)
15	56455779	1	Actuator, Switch
16	56002208	1	Scr, Hex Hd 3/8-16 x .50
17	56002063	2	Wsh, Flt SAE 3/8
18	56455781	1	Bracket, Switch
19	56482542	1	Clevis Assembly (W / pin)
20	56324310	1	Nut Plate
21	56002140	2	Wsh, Flt SAE #8
22	56002697	2	Scr, Pan Phil 8-32 x 1.25
23	56002562	2	Nut, Hex W/Shprf 8-32
24	56455831	1	Nut, Plate
25	56009064	1	Wsh, Int Shprf 1/4
26	56463720	1	Ball Joint (2052 after SN1259598 & all CR1300)
*	56482542	1	Clevis Assembly (W / pin) (2052 before SN1259599)
27	56002098	1	Wsh, Flt SAE 1/4
28	56459958	1	Mount, Neutral Safety Switch (2052 after SN1301552 & all CR1300)
29	56460008	1	Spacer (2052 after SN1301552 & all CR1300)
30	56002747	2	Scr, Hex Thd/Hd 3/8-16 x 1.50 (2052 after SN1301552 & all CR1300)
31	56460005	1	Sealed Ball Switch (2052 after SN1301552 & all CR1300)
32	56003052	2	Scr, Pan Phil 8-32 x 1.25 (2052 after SN1301552 & all CR1300)



99-6	DRIVE PEDAL LINKAGE (after SN 1361292)	BOOK E		
02-10	Hydro-Retriever™ 2052G/P / CR 1300G/P	E	9.6.1	23

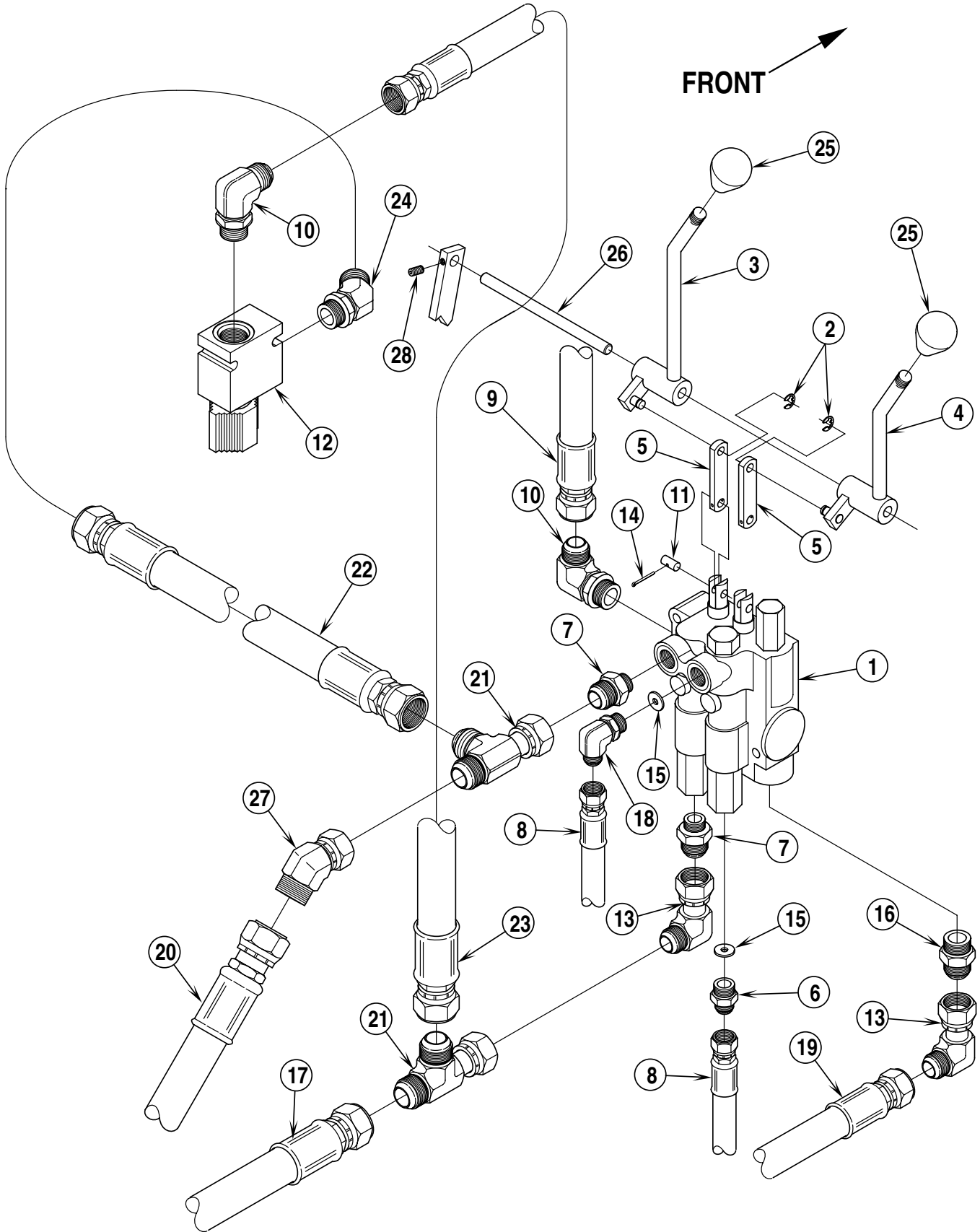
Item	Ref. No.	Qty	Description
1	56009142	3	Nut, Hex Machine 1/4-28
2	56455800	1	Cable
3	56001954	2	Wsh, Flt SAE #10
4	56002503	2	Scr, Hex Hd 10-24 x .50
5	56455802	1	Bracket Weld't.
6	56002063	1	Wsh, Flt SAE 3/8
7	56003044	1	Scr, Hex 3/8-16 x 6.50
8	56462362	1	Switch
9	56455799	1	Hydro-Back
10	56002119	1	Scr, Soc Set Loc 1/4-20 x .50
11	56002115	1	Scr, Soc Hd 1/4-20 x .50
12	56002504	2	Scr, Hex 10-24 x .75
13	56455803	1	Pump Arm Weld't.
14	56455779	1	Actuator, Switch
15	56002208	1	Scr, Hex Hd 3/8-16 x .50
16	56002063	3	Wsh, Flt SAE 3/8
17	56455781	1	Bracket, Switch
18	56482542	1	Clevis Assembly (W / pin)
19	56324310	1	Nut Plate
20	56002697	2	Scr, Pan Phil 8-32 x 1.25
21	56455831	1	Nut, Plate
22	56009064	1	Wsh, Int Shprf 1/4
23	56463720	1	Ball Joint
24	56002098	1	Wsh, Flt SAE 1/4
25	56459958	1	Mount, Neutral Safety Switch
26	56002168	1	Wsh, Flt STD 1/2
27	56002747	2	Scr, Hex Thd/Hd 3/8-16 x 1.50
28	56460005	1	Sealed Ball Switch
29	56418387	2	Relay
30	56009012	2	Scr, Hex Hd Thd Form 10-24 x .38



99-6	OIL RESERVOIR ASSEMBLY	BOOK E		
01-1	Hydro-Retriever™ 2052G/P / CR 1300G/P	E	9.6.1	25

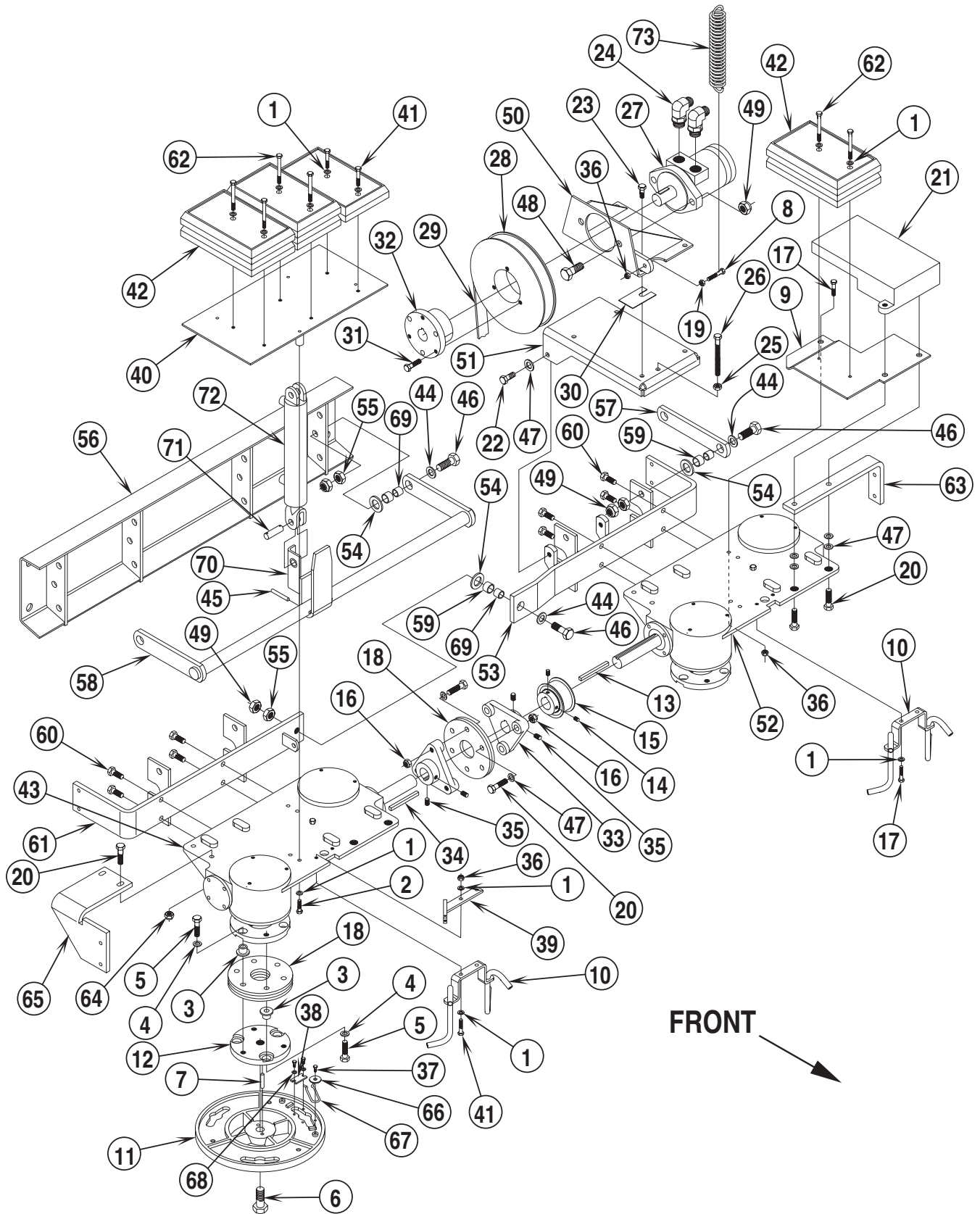
Item	Ref. No.	Qty	Description
	56459179	1	Hydraulic Oil Reservoir Assembly (#1-17)
1	56479732	1	Plug
2	56328855	8	Nut, Spring 10-24
3	56456774	1	Bracket
4	56900115	1	Elbow 90 ⁰
5	56456449	1	Filter Assembly, Oil
	56496209	1	Replacement Filter Cartridge
6	56003023	4	Scr, Hex Hd Loc 3/8-16 x .50
7	56456750	1	Reservoir Weld't.
8	56456758	1	Cap, Filler
9	56456938	2	Adapter
10	56900341	1	Tee, Swivel Nut
11	56900585	1	Elbow 90 ⁰
12	56479770	1	Tee
13	56002508	12	Scr, Pan Hd 10-24 x .50
14	56459407	1	Gasket
15	56900106	2	Elbow 90 ⁰
16	56025490	1	Decal, Oil Fill
17	56900301	1	Elbow 90 ⁰
18	56459479	1	Gauge, Level (Includes hardware)
*	56016372	1	Decal, Hydraulic Level
19	56479693	1	Hose
20	56496216	1	Hose
21	56456911	2	Hose
22	56496212	1	Hose
23	56456919	2	Hose

* = Not Shown



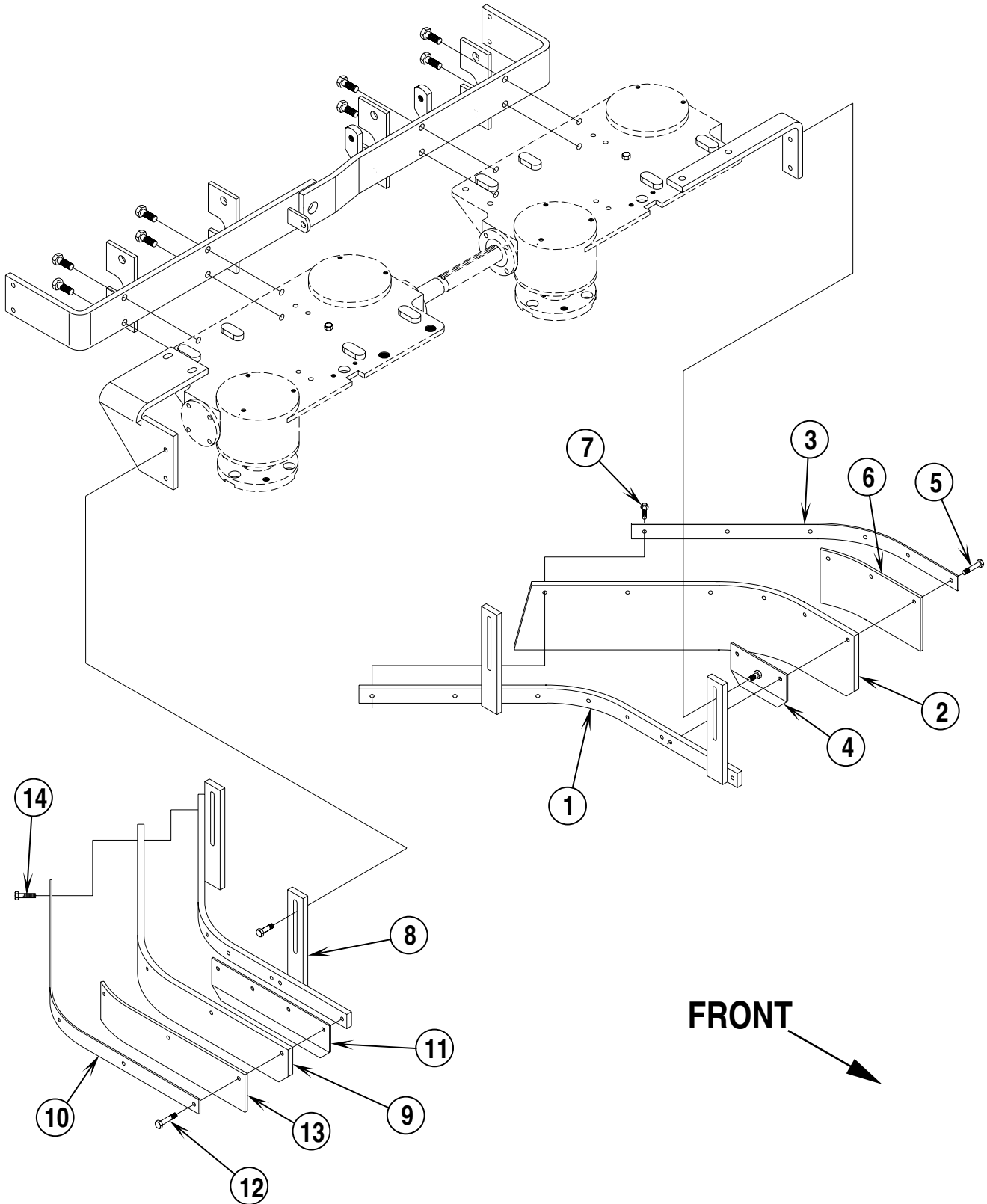
99-6	CONTROL VALVE ASSEMBLY	BOOK E		
01-1	Hydro-Retriever™ 2052G/P / CR 1300G/P	E	9.6.1	27

Item	Ref. No.	Qty	Description
	56455626	1	Control Valve Assembly (#1-24)
1	56493369	1	Valve, Hyd. Directional Control
2	56003268	2	Sht., Ret. Ring Ext. .25 Dia.
3	56455664	1	Lever Weld't.
4	56455617	1	Lever Weld't.
5	56455625	2	Linkage
6	56900011	1	Connector
7	56900020	2	Adaptor St. Thd. 3/4-16
8	56458672	2	Hose
9	56479695	1	Hose TSB 722
10	56900104	2	Elbow 90 ⁰
11	56455627	2	Pin
12	56459482	1	Valve, 2-Way Solenoid
13	56900304	2	Elbow 90 ⁰ W/Nut
14	56001882	2	Pin, Cotter .06 x .75
15	56456931	2	Orifice Plate
16	56900004	1	Connector
17	56496216	1	Hose
18	56900110	1	Elbow 90 ⁰
19	56456925	1	Hose
20	56459443	1	Hose
21	56900344	2	Fitting, Tee
22	56456564	1	Hose
23	56456565	1	Hose
24	56900154	1	Elbow 45 ⁰
25	56378534	2	Knob
26	56455629	1	Rod
27	56900324	1	Elbow 45 Deg. W/Nut
28	56002160	1	Scr, Soc Set Loc 8-32 x .38



99-6	BRUSH DRIVE ASSEMBLY	BOOK E		
02-12	Hydro-Retriever™ 2052G/P / CR 1300G/P	E	9.6.1	29

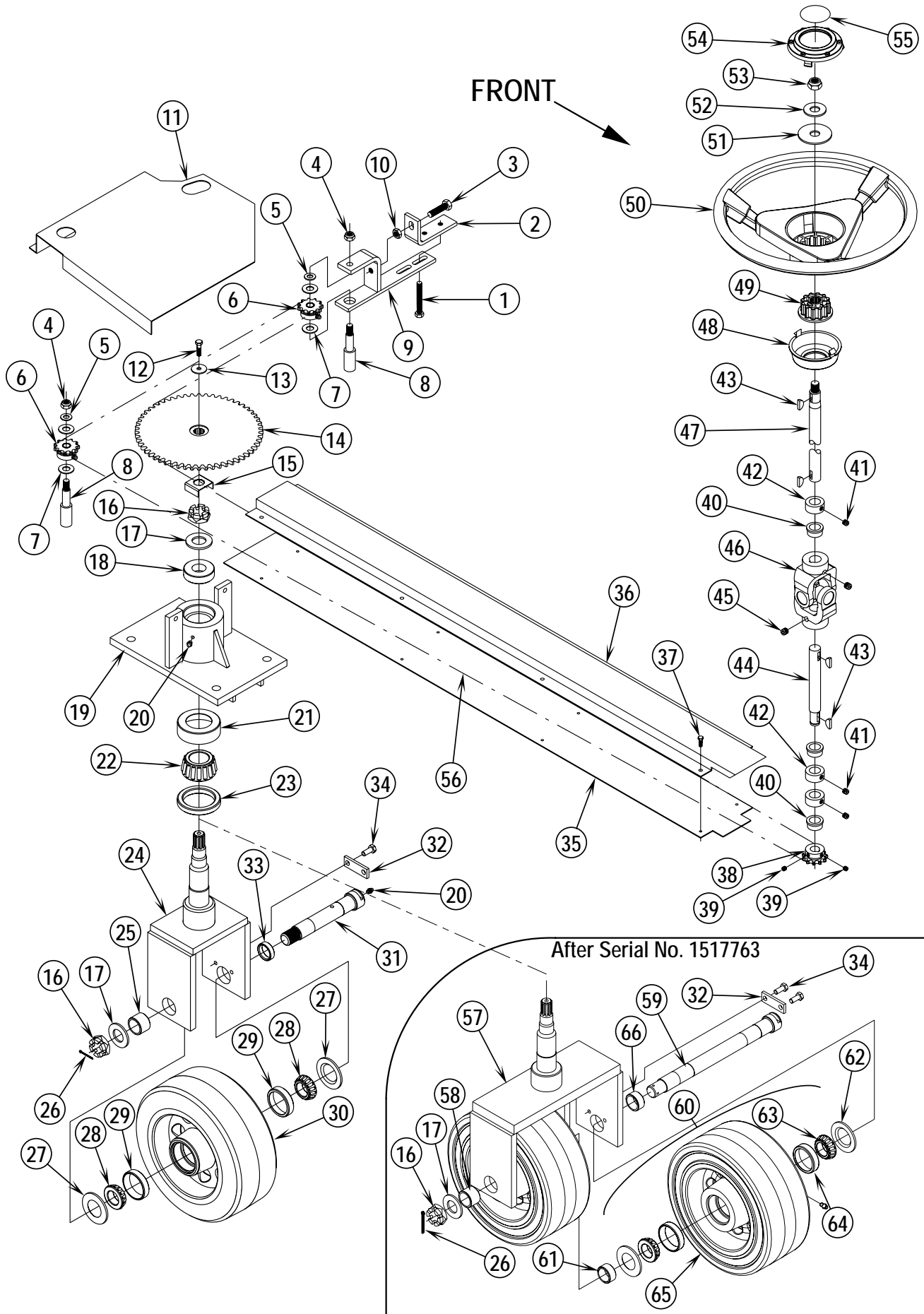
Item	Ref. No.	Qty	Description	Item	Ref. No.	Qty	Description
	56459251	1	Brush Drive Assembly (#1-69)	46	56001968	19	Scr, Hex Hd 1/2-13 x 1.50
1	56001906	17	Wsh, Flt STD 1/4	47	56002063	10	Wsh, Flt 3/8
2	56001821	2	Scr, Hex Hd 1/4-20 x .88	48	56455542	2	Screw
3	56448268	24	Bushing, Flange	49	56002843	21	Nut, Hex Nyl Loc-Thin 1/2-13
4	56002068	24	Wsh, Lock High Collar 3/8	50	56459442	1	Motor Mount Weld't.
5	56448271	24	Scr, Hex Hd 3/8-16 x 2.00	51	56459441	1	Bracket
6	56002156	4	Scr, Hex Hd 5/8-18 x 1.50	52	56550114	1	Left Gearcase Assy.
7	56362077	8	Pin, Dowel .25 x 1.25	53	56458870	1	Bracket Weld't., Left
8	56002093	1	Scr, Hex Hd 1/4-20 x 1.00	54	56367192	18	Washer .75 x 1.25 x .12
9	56459240	1	Plate	55	56441236	19	Nut, Spring Lock 1/2
10	56455517	2	Pipe Weld't.	56	56455469	1	Bracket Weld't.
11	56363189	4	Holder Casting	57	56453909	8	Bar, Parallel
12	56448263	4	Coupler, Lower	58	56455492	1	Bar Weld't.
13	56404381	1	Key, Sq. .25 x 3.00	59	56367168	19	Bearing, Sleeve .62
14	56002930	2	Scr, Soc Set Loc 1/4-20 x .38	60	56002256	8	Scr, Hex Hd 3/8-16 x 1.00
15	56462524	1	Pulley, Synchronous	61	56458872	1	Bracket Weld't., Right
16	56002841	6	Nut, Hex Nyl Loc-Thin 3/8-16	62	56001856	6	Scr, Hex Hd 1/4-20 x 2.25
17	56002155	3	Scr, Hex Hd 1/4-20 x .75	63	56458854	1	Strap
18	56104647	14	Thermoid Disc	64	56002701	2	Nut, Hex Nyl Loc 5/16-18
19	56009081	1	Nut, Hex Jam 1/4-20	65	56458051	1	Plate
20	56002684	10	Scr, Hex Hd 3/8-16 x 1.75	66	56151114	4	Washer .26 x .90 x .06
21	56455462	1	Weight	67	56366463	4	Spring Retainer
22	56002663	2	Scr, Hex 3/8-16 x 1.00	68	56002011	8	Washer, Shprf #10
23	56002037	4	Scr, Hex Hd 5/16-18 x .88	69	56367206	19	Bushing .50 x .62 x .53
24	56900114	2	Elbow 90° 3/4-16	70	56455548	1	Yoke
25	56009086	1	Nut, Hex Jam 5/16-18	71	56455570	1	Pin
26	56003008	1	Scr, Hex Thd to Hd 5/16-18 x 3.50	72	56449748	1	Cylinder
27	56479606	1	Motor, Scrub Brush TSB 739	73	56448119	1	Spring
*	56479577	1	Seal Kit (for 56479606)				
28	56100040	1	Pulley, Synchronous	**	56505761	4	Magna-Grit 46 Brush
29	56463880	1	Belt, Synchronous TSB 832	**	56505762	4	Dyna-Grit 80 Brush
30	56477625	2	Shim	**	56505763	4	Aglite Grit 500 Brush
31	56001858	3	Scr, Hex Hd 3/8-16 x 1.25	**	56505764	4	Prolene Brush
32	56462345	1	Split Taper Bushing	**	56505765	4	Prolite Brush
33	56462527	2	Universal Casting	**	56505766	4	Union Mix Brush
34	56442135	1	Key, Sq. .25 x 1.63	**	56505767	4	MidGrit 240 Brush
35	56001826	4	Scr, Soc Set Loc 5/16-18 x .50	**	56505768	4	MidLite 180 Brush
36	56002840	5	Nut, Hex Nyl Loc-Thin 1/4-20	**	56505760	4	Pad Holder
37	56002043	12	Scr, Pan Hd 10-24 x .38	**	56451123	1	Scarifier Kit
38	56366455	4	Stop, Plate	**	56451124	1	Grinding Kit
39	56456809	1	Bracket Weld't.				
40	56456815	1	Bracket Weld't.				
41	56001878	4	Scr, Hex Hd 1/4-20 x 1.25	** = Optional Accessory			
42	56453907	7	Weight, Casting	* = Not Shown			
43	56550115	1	Right Gearcase Assy.				
44	56367214	35	Washer .51 x .93 x .07				
45	56002571	2	Pin, Spring .25 x 1.75				



99-6	FRONT SKIRTS	BOOK E		
01-1	Hydro-Retriever™ 2052G/P / CR 1300G/P	E	9.6.1	31

Item	Ref. No.	Qty	Description
	56458880	1	Skirt Assembly, Left (#1-7)
	56458878	1	Skirt Assembly, Right (#8-14)
1	56458852	1	Mount Weld't., Left
2	56459854	1	Blade
**	56458928	1	Blade (Gum Rubber)
3	56458874	1	Strap
4	56458934	1	Plate
5	56009088	3	Scr, Hex Thd Form 1/4-20 x 1.25
6	56458930	1	Blade, Backup
7	56002686	3	Scr, Hex Thd Form 1/4-20 x 1.00
8	56458850	1	Mount Weld't., Right
9	56459855	1	Blade
**	56458840	1	Blade (Gum Rubber)
10	56458844	1	Strap
11	56458936	1	Plate
12	56009088	3	Scr, Hex Thd Form 1/4-20 x 1.25
13	56458932	1	Blade, Backup
14	56002686	3	Scr, Hex Thd Form 1/4-20 x 1.00

** = Optional Accessory

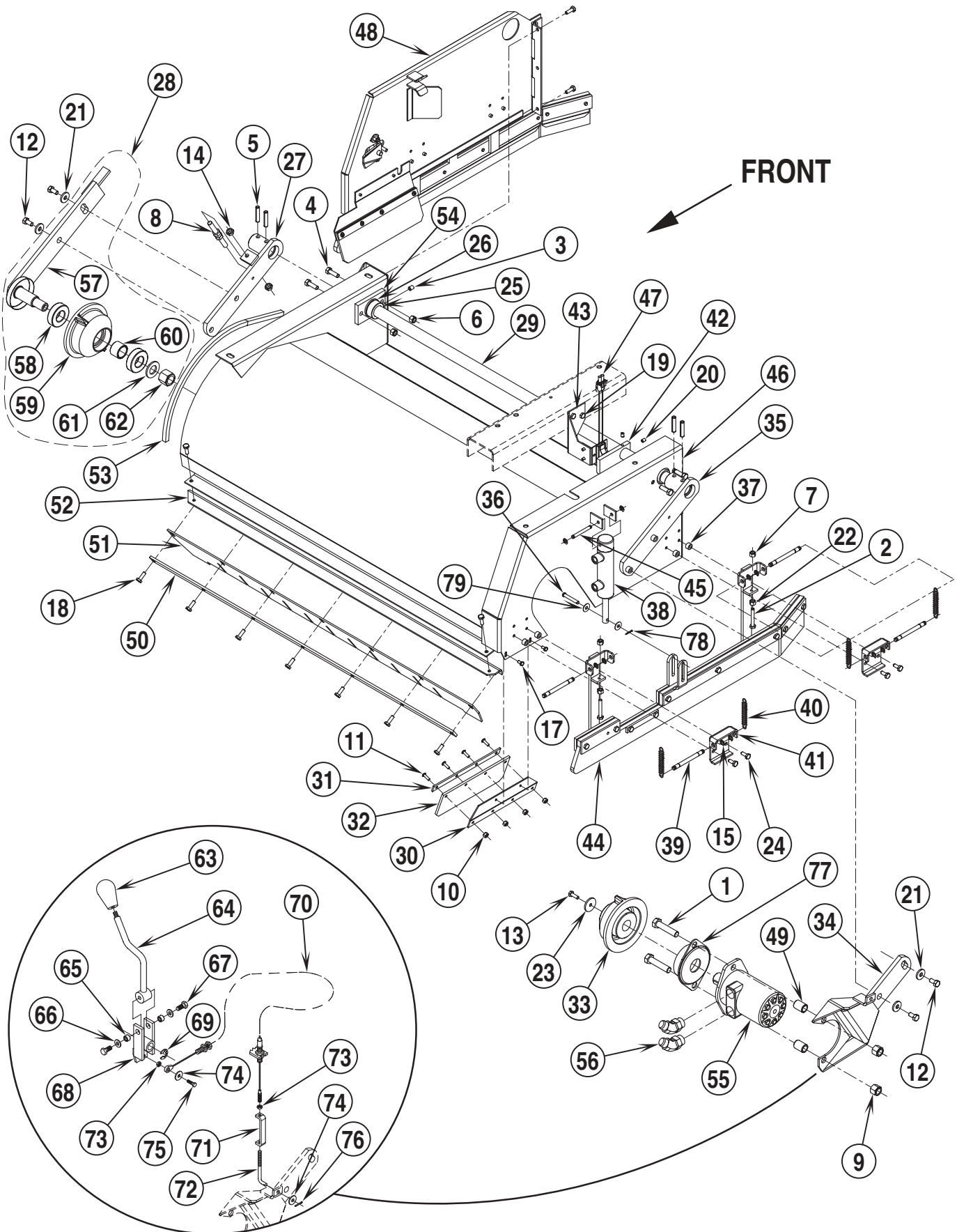


99-6	STEERING / SPINDLE ASSEMBLY	BOOK E		
03-12	Hydro-Retriever™ 2052G/P / CR 1300G/P	E	9.6.1	33

Item	Ref. No.	Qty	Description	Item	Ref. No.	Qty	Description
	56454108	1	Steering Idler Assy (#1-10)	26	56002181	1	Pin, Cotter .12 x 1.50
1	56002154	2	Scr, Hex Thd To Hd 5/16-18 x 2.75		56459629	1	Wheel Assembly
2	56454118	1	Angle				(#27-30 / before SN1523848)
3	56002747	1	Scr, Hex Thd To Hd 3/8-16 x 1.50	27	56448169	2	Seal, Wheel
4	56002841	1	Nut, Hex Nyl Loc-Thin 3/8-16	28	56900073	2	Bearing, Tapered
5	56002055	1	Wsh, Flt STD 3/8	29	56448171	2	Bearing, Race
6	56454079	2	Sprocket Assembly	30	56459626	1	Wheel 10 x 5 (before SN1523848)
*	56454078	2	Sprocket	31	56455535	1	Axle (before SN1523848)
*	56366633	4	Bearing, Sleeve	32	56453562	1	Retainer
*	56101737	2	Fitting, Lube 1/4-23	33	56448167	1	Bushing
7	56002168	2	Wsh, Flt STD 1/2	34	56002956	2	Scr, Hex Hd Loc 5/16-18 x .75
8	56454109	1	Pin	35	56456871	1	Panel
9	56454121	1	Bracket Weld't.	36	56456875	1	Channel
10	56009085	1	Nut, Hex Jam 3/8-16	37	56009135	8	Scr, Hex Thd Form 10-24 x .62
11	56459178	1	Guard	38	56454098	1	Sprocket
12	56001821	1	Scr, Hex Hd 1/4-20 x .88	39	56002930	2	Scr, Soc Set Loc 1/4-20 x .38
13	56009002	1	Wsh, Flt .26 x .90 x .06	40	56250414	3	Bearing, Flange
14	56453526	1	Sprocket Weld't.	41	56002086	3	Scr, Soc Set Loc 5/16-18 x .25
15	56453542	1	Tab, Lock	42	56367095	3	Collar, Shaft
	56455737	1	Spindle Assembly TSB 791 (#16-34 / before SN1312263)	43	56003228	4	Key, WDF #606
	56459859	1	Spindle Assembly TSB 791 (#16-34 / after SN1312262)	44	56454096	1	Shaft
	56453031	1	Spindle Assembly TSB 791 (#57-65 / after SN1523847)	45	56003081	2	Scr, Soc Set Loc 3/8-16 x .38
16	56110817	2	Nut, Castle 7/8-14	46	56454081	1	Universal Joint
17	56002228	2	Wsh, Flt SAE 7/8	47	56454093	1	Shaft, Steering
18	56378380	1	Bearing, Ball	48	56497308	1	Cup
19	56455273	1	Housing Weld't. (before SN1312263)	49	56497560	1	Adapter
	56459861	1	Housing Weld't. (after SN1312262)	50	56497306	1	Steering Wheel
20	56101737	2	Fitting, Lube 1/4-28	51	56497542	1	Washer
21	56900074	1	Bearing, Race	52	56002115	1	Wsh, Flt STD 1/2
22	56101370	1	Bearing, Tapered	53	56002773	1	Nut, Hex Nyl Loc 1/2-20
23	56103845	1	Seal, Shaft	54	56497543	1	Cap
24	56459638	1	Spindle Weld't. (before SN1523848)	55		1	Decal
25	56453561	1	Bushing	56	56454100	1	Chain, Steering
				*	56445118	1	Link Offset
							After SN1523847
				57	56453067	1	Spindle Weld't.
				58	56453029	1	Bushing
				59	56453064	1	Axle
				60	56453068	2	Wheel Assy (#62-65)
				*	56369128	1	Fitting, Lube 1/4-28
				61	56460184	2	Bushing TSBUS2004-859
				62	56448169	2	Seal, Shaft NOTE
				63	56448171	2	Bearing, Cone NOTE
				64	56900073	2	Bearing, Cup NOTE
				65	56453003	1	Wheel NOTE
				66	56460185	1	Bushing TSBUS2004-859

* = Not Shown

NOTE: Quantities are for one wheel assembly.

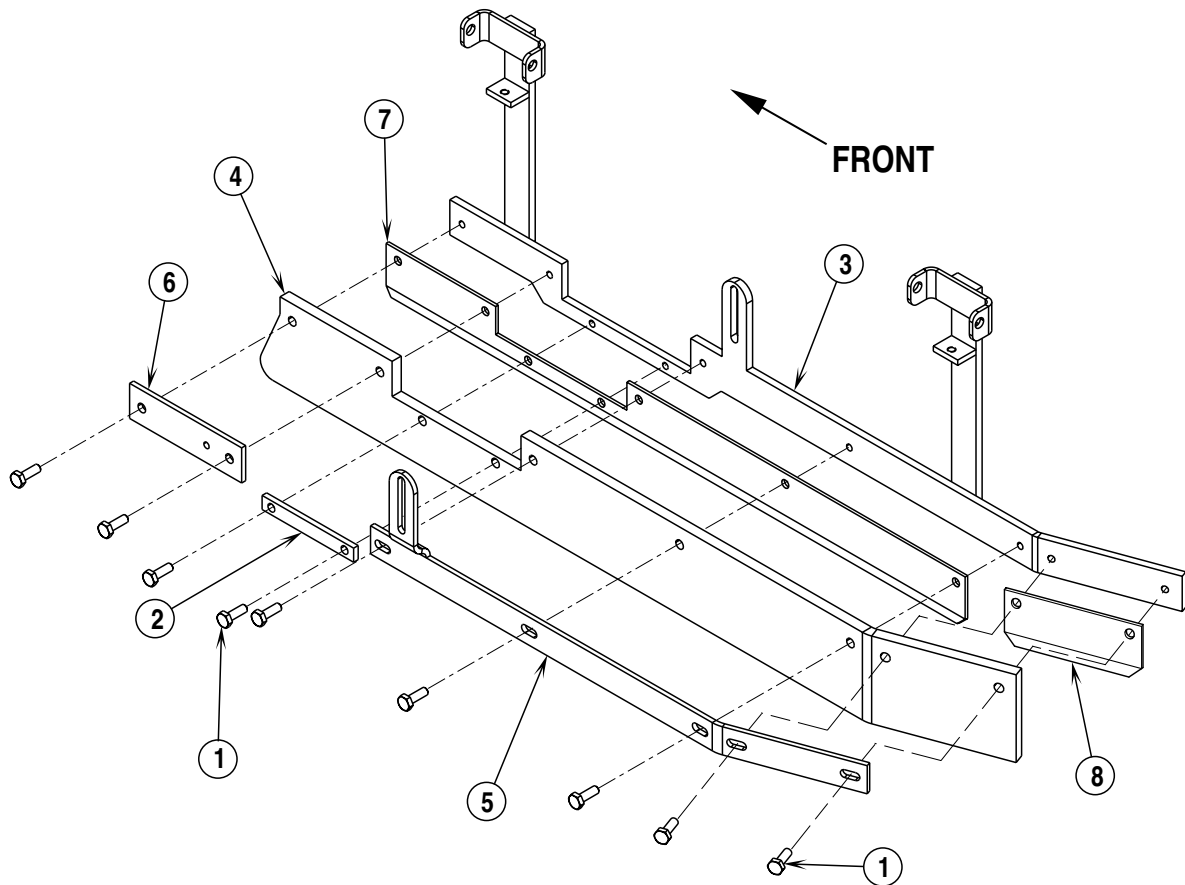
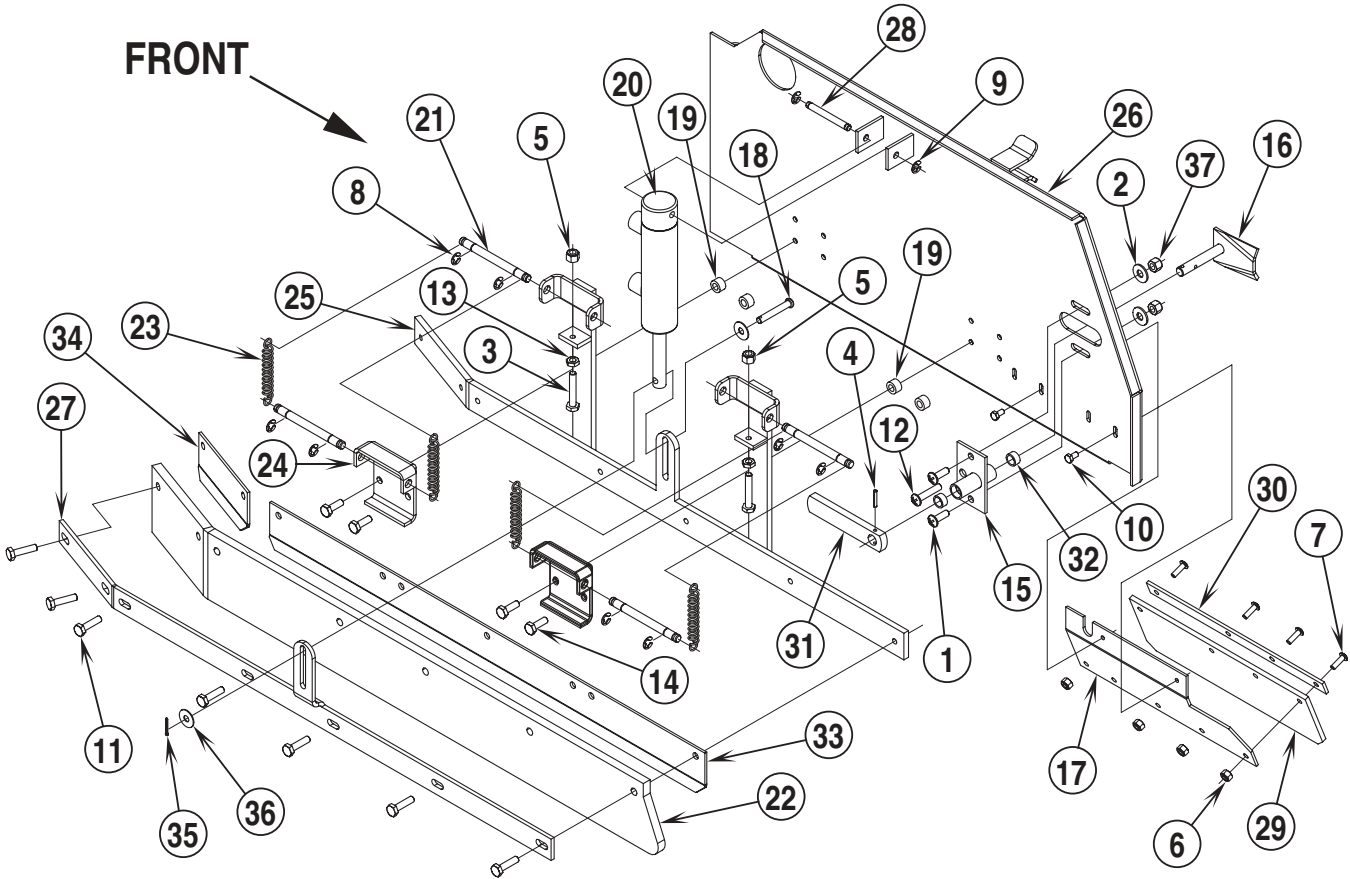


99-6	BROOM HOUSING	BOOK E		
03-9	Hydro-Retriever™ 2052G/P / CR 1300G/P	E	9.6.1	35

Item	Ref. No.	Qty	Description	Item	Ref. No.	Qty	Description
1	56001920	2	Scr, Hex Hd 1/2-13 x 2.25	44	56455358	1	Left Blade Assembly (see associated pages)
2	56001967	2	Scr, Hex Hd 1/4-20 x 1.75	45	56455391	1	Pin, Mounting
3	56002021	2	Scr, Soc Set loc 5/16-18 x 1.00	46	56455394	1	Broom Housing Weld't.
4	56002221	4	Scr, Hex Hd 5/16-18 x 1.00	47	56455403	1	Switch (Skirt Raise / Lower)
5	56002225	4	Pin, Spring .31 x 1.50	*	56324310	1	Nut Plate
6	56002701	4	Nut, Hex Nyl Loc 5/16-18	48	56455427	1	Right Door Assembly (see associated pages)
7	56002708	2	Nut, Hex Nyl Loc 1/4-20	49	56457734	2	Bushing
8	56002747	2	Scr, Hex Thd To Hd 3/8-16 x 1.50	50	56459156	1	Strap
9	56002770	2	Nut, Hex Nyl Loc 1/2-13	51	56459157	1	Skirt
10	56002836	4	Nut, Hex Nyl Loc SS 10-24	52	56459158	1	Angle
11	56002896	4	Scr, Pan Phil SS 10-24 x .62	53	56472091	1	Gasket 3/8 x 3/8 x 18.5
12	56002929	4	Scr, Hex Hd Loc 5/16-18 x .62	54	56479273	2	Pillow Block
13	56002948	1	Scr, Hex Hd Loc 1/4-20 x .75	55	56479606	1	Motor, Main Broom TSB 739
14	56003015	2	Nut, Hex Jam SS 3/8-16	*	56479577	1	Seal Kit (for 56479606)
15	56003261	8	Ring, Ret Ext Type E .31 Dia	56	56900164	2	Elbow, 45° STR.-THD.
16	56003268	2	Ring, Ret Ext Type E Reinf. .25 Dia	57	56453750	1	Arm Weld't.
17	56009012	4	Scr, Hex Thd Form 10-24 x .38	58	56479430	2	Bearing, Ball
18	56009018	11	Scr, Hex Thd Form 1/4-20 x .75	59	56470636	1	Idler Lug
19	56009019	2	Scr, Hex Thd Form 1/4-20 x .38	60	56470728	1	Bushing 1 x 1.2 x .90
20	56009076	2	Scr, Soc Set Loc	61	56002141	1	Wsh, Flt SAE 3/4
21	56009122	4	Wsh, Flt .34 x .93 x .12	62	56002862	1	Nut, Hex Nyl Loc 3/4-10
22	56009179	2	Nut, Hex Machine 1/4-20	63	56364527	1	Knob
23	56009199	1	Wsh, Flt Brass .26 x 1.25 x .12	64	56455640	1	Broom Lift Handle
24	56009250	4	Scr, Hex Thd Form 1/4-20 x .62 TSB 725 (Note 1)	65	56320595	2	Bushing
25	56444820	2	Collar	66	56002220	2	Wsh, Flt Std 5/16
26	56444944	2	Bearing, Flange	67	56002929	2	Scr, Hex Loc 5/16-18 x .62
27	56453742	1	Lever Weld't.	68	56455632	1	Broom Lift Lever
28	56453760	1	Arm Assembly, Broom (#57-62)	69	56003265	1	Retaining Ring
29	56453784	1	Shaft	70	56454150	1	Broom Lift Cable
30	56453856	1	Plate	71	56454152	1	Turnbuckle
31	56453862	1	Strap	72	56350079	1	Linkage Rod
32	56453865	1	Blade	73	56009179	2	Nut, Hex Machine 1/4-20
33	56455237	1	Hub	74	56002098	2	Wsh, Flt SAE 1/4
34	56455239	1	Bracket Weld't.	75	56002155	1	Scr, Hex 1/4-20 x .75
35	56455249	1	Lever Weld't.	76	56001882	1	1/16-3/4 Cotter Pin
36	56003193	1	Clevis Pin .25 x 1.625	*	56459244	1	Hopper
37	56455298	4	Spacer See TSB 725 (Note 1)	*	56505001	1	Main Broom
38	56455299	1	Cylinder, Hydraulic	77	56455997	1	Broom Motor Seal Guard
39	56455300	4	Pin, Yoke	78	56002363	1	Pin, Cotter 1/16 x 5/8
40	56365068	4	Spring, Extension	79	56009025	2	Wsh, Flt .266 x .750 x .036
41	56455306	2	Guide, Slide				
42	56455338	1	Lever, Switch				
43	56455350	1	Mount, Switch				

* = Not Shown

Note 1: Be sure of correct assembly, four Screws (24) go in the bottom holes of Guides (41) through the Spacers (37) and then they must go into the corresponding bottom holes in the broom housing.



99-6	RIGHT DOOR / LEFT BLADE ASSEMBLIES	BOOK E		
02-1	Hydro-Retriever™ 2052G/P / CR 1300G/P	E	9.6.1	37

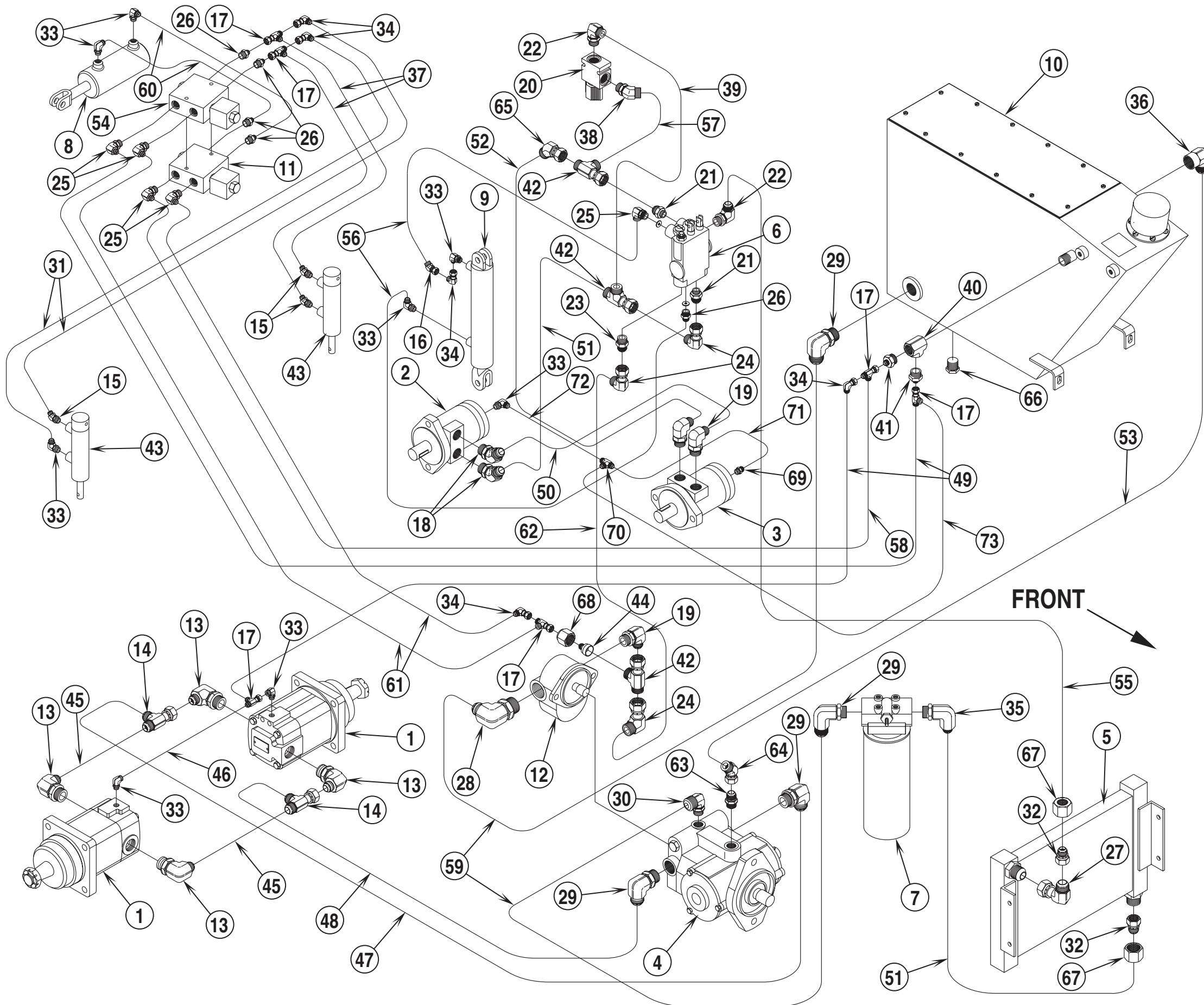
Item	Ref. No.	Qty	Description
Right Door Assembly			
1	56002957	2	Scr, Pan Phil SS 1/4-20 x .75
2	56001906	2	Wsh, Flt STD 1/4
3	56009028	2	Scr, Pan Phil SS 1/4-20 x 1.50
4	56001984	1	Pin, Spr. .12 x .75
5	56002708	2	Nut, Hex Nyl Loc 1/4-20
6	56002836	4	Nut, Hex Nyl Loc SS 10-24
7	56002896	4	Scr, Pan Phil SS 10-24 x .62
8	56003261	8	Ring, Ret Ext Type E .31 Dia.
9	56003268	2	Ring, Ret Ext Type E Reinf. .25 Dia.
10	56009012	2	Scr, Hex Thd Form 10-24 x .38
11	56009054	7	Scr, Hex Hd Type 23 1/4-20 x 1.00
12	56002958	1	Scr, Pan Phil SS 1/4-20 x 1.25
13	56009087	2	Nut, Hex Jam 1/4-20
14	56009018	4	Scr, Hex Thd Form 1/4-20 x .75 See TSB 725 (Note 1)
15	56453680	1	Bracket Weld't.
16	56453690	1	Latch Weld't.
17	56453854	1	Plate
18	56003193	1	Clevis Pin .25 x 1.625
19	56455298	4	Spacer See TSB 725 (Note 1)
20	56455299	1	Cylinder, Hydraulic
21	56455300	4	Pin, Yoke
22	56459853	1	Blade, Right Side
**	56455302	1	Blade, Right Side (Gum Rubber)
23	56365068	4	Spring, Extension
24	56455306	2	Guide, Slide
25	56455314	1	Right Blade Weld't.
26	56455316	1	Door Weld't.
27	56455388	1	Plate, Right Side Actuator
28	56455391	1	Pin, Mounting
29	56459415	1	Blade
30	56459416	1	Strap
31	56479371	1	Handle
32	56491658	2	Bearing, Sleeve
33	56455753	1	Strip, Forming
34	56455751	1	Strip, Rear Forming
35	56002363	1	Pin, Cotter 1/16 x 5/8
36	56009025	2	Wsh, Flt .266 x .750 x .036
37	56002491	2	Nut, Hex Nyl Loc SS 1/4-20

** = Optional Accessory

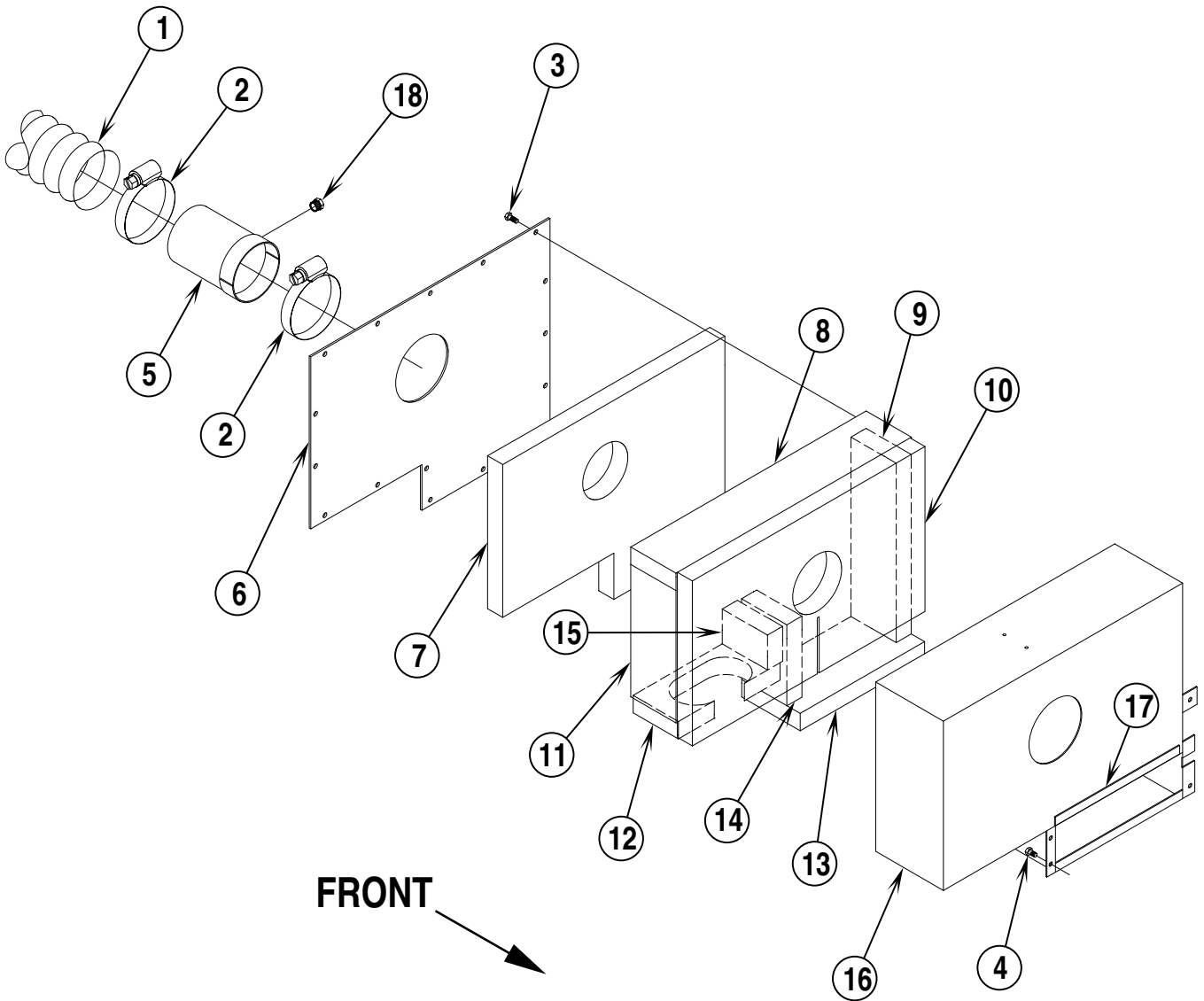
Note 1: Be sure of correct assembly, four Screws (14) go in the bottom holes of Guides (24) through the Spacers (19) and then they must go into the corresponding bottom holes in the door weldment.

Item	Ref. No.	Qty	Description
Left Blade Assembly			
1	56009054	9	Scr, Hex Type 23 1/4-20 x 1.00
2	56459257	1	Strap
3	56455354	1	Left Blade Weld't.
4	56459852	1	Blade, Left Side
**	56455356	1	Blade, Left Side (Gum Rubber)
5	56455360	1	Plate, Left Side Acuator
6	56458898	1	Strap
7	56455755	1	Strip, Forming
8	56455751	1	Strip, Rear Forming

** = Optional Accessory

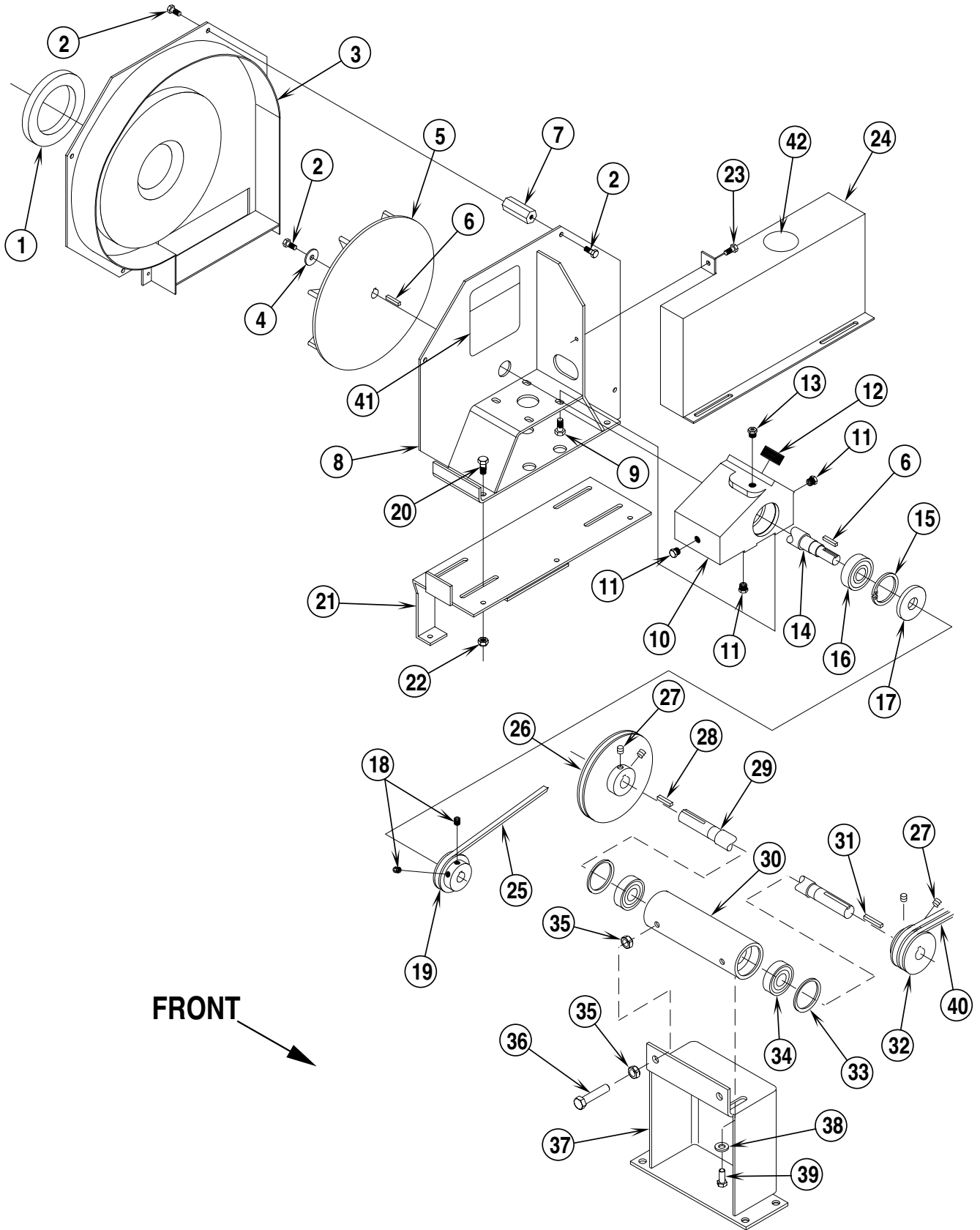


Item	Ref. No.	Qty	Description
1	56456902	2	Drive Motor
2	56479606	2	Main Broom Motor TSB 739
3	56479606	1	Scrub Brush Motor TSB 739
4	56459464	1	Hydraulic Pump
5	56457282	1	Oil Cooler
6	56493369	1	Control Valve
7	56456449	1	Oil Filter
	56496209	1	Replacement Filter
8	56459163	1	Squeegee Lift Cylinder
9	56449748	1	Scrub Brush Lift Cylinder
10	56456750	1	Hydraulic Reservoir
11	56459236	1	Squeegee Control Valve
12	56497834	1	Accessory Pump
13	56900116	4	Elbow
14	56900345	2	Tee
15	56900151	3	Elbow, 45°
16	56900321	1	Elbow, 45°
17	56900341	6	Tee
18	56900164	2	Elbow
19	56900114	3	Elbow
20	56459482	1	Valve, 2-Way Solenoid
21	56900020	2	Adapter
22	56900104	2	Elbow
23	56900004	1	Connector
24	56900304	3	Elbow
25	56900110	5	Elbow
	56456931	1	Orifice
26	56900011	5	Connector
	56456931	1	Orifice
27	56900306	2	Elbow
28	56900117	1	Elbow
29	56900106	4	Elbow
30	56900909	1	Elbow
31	56455539	2	Hose
32	56900469	2	Reducer
33	56900101	8	Elbow, 90°
34	56900301	5	Elbow
35	56900115	1	Elbow
36	56900585	1	Elbow
37	56455540	2	Hose
38	56900154	1	Elbow, 45°
39	56456565	1	Hose
40	56479770	1	Tee
41	56456938	2	Adapter
42	56900344	3	Tee
43	56455299	2	Cylinder
44	56900462	1	Reducer
45	56456903	2	Hose
46	56490167	1	Hose
47	56456923	1	Hose
48	56456933	1	Hose
49	56456919	2	Hose
50	56456901	1	Hose
51	56496216	2	Hose
52	56459443	1	Hose
53	56479693	1	Hose
54	56459236	1	Side Skirt Control Valve
55	56462403	1	Hose
56	56458672	2	Hose
57	56456564	1	Hose
58	56496212	1	Hose
59	56456911	2	Hose
60	56492676	2	Hose
61	56490167	2	Hose
62	56496220	1	Hose
63	56900486	1	Adapter Old (1-1/16-12 x 3/4-16)
	56900006	1	Adapter New (1-1/16-12 x 1-1/16-12)
64	56900326	1	Elbow, 45°
65	56900324	1	Elbow, 45° W/Nut
66	56479732	1	Plug Pipe 1/2 Stl.
67	56900506	2	Nut
68	56900504	1	Nut
69	56900001	1	Connector, O-Ring (after SN 1510579)
70	56900441	1	Tee, Union (after SN 1510579)
71	56460103	1	Hose Assy, 40" (after SN 1510579)
72	56460104	1	Hose Assy, 20.5" (after SN 1510579)
73	56460105	1	Hose Assy, 37" (after SN 1510579)



99-6	SOUND BOX ASSEMBLY	BOOK E		
01-1	Hydro-Retriever™ 2052G/P / CR 1300G/P	E	9.6.1	41

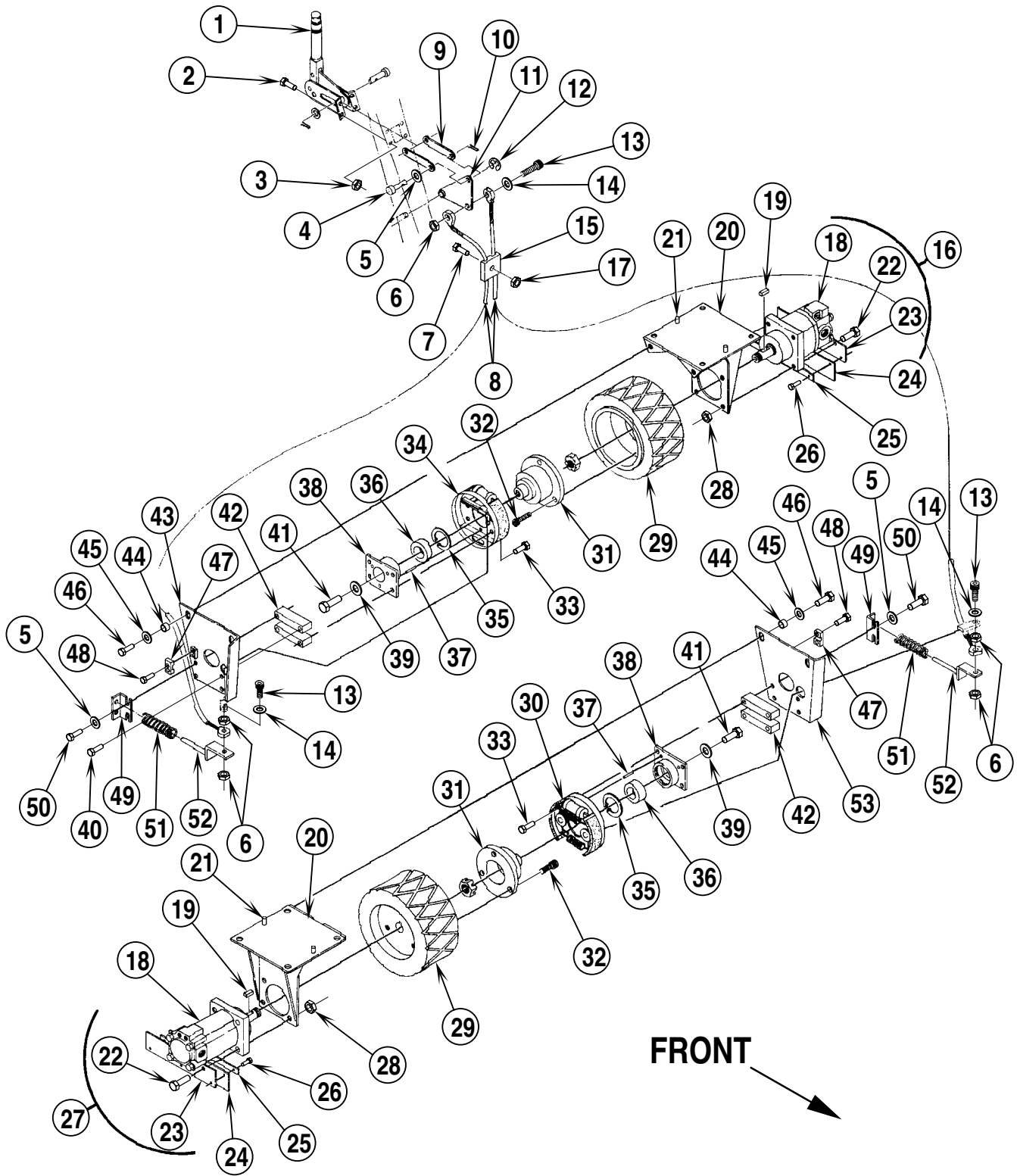
Item	Ref. No.	Qty	Description
	56459398	1	Sound Box Assembly (#8-16)
1	56455622	1	Hose
2	56352829	2	Hose Clamp
3	56002503	16	Scr, Hex Hd 10-24 x .50
4	56009012	4	Scr, Hex Hd 10-24 x .38
5	56459159	1	Tube
6	56459171	1	Cover
7	56458695	1	Foam
8	56459380	1	Foam
9	56459384	1	Foam
10	56459390	1	Foam
11	56459387	1	Foam
12	56459386	1	Foam
13	56459383	1	Foam
14	56459385	1	Foam
15	56455759	1	Foam
16	56459379	1	Muffler Box
17	56463473	1	J-Trim
18	56481546	1	Plug, 1/8-27 NPT



99-6	IMPELLER & JACKSHAFT	BOOK E		
02-6	Hydro-Retriever™ 2052G/P / CR 1300G/P	E	9.6.1	43

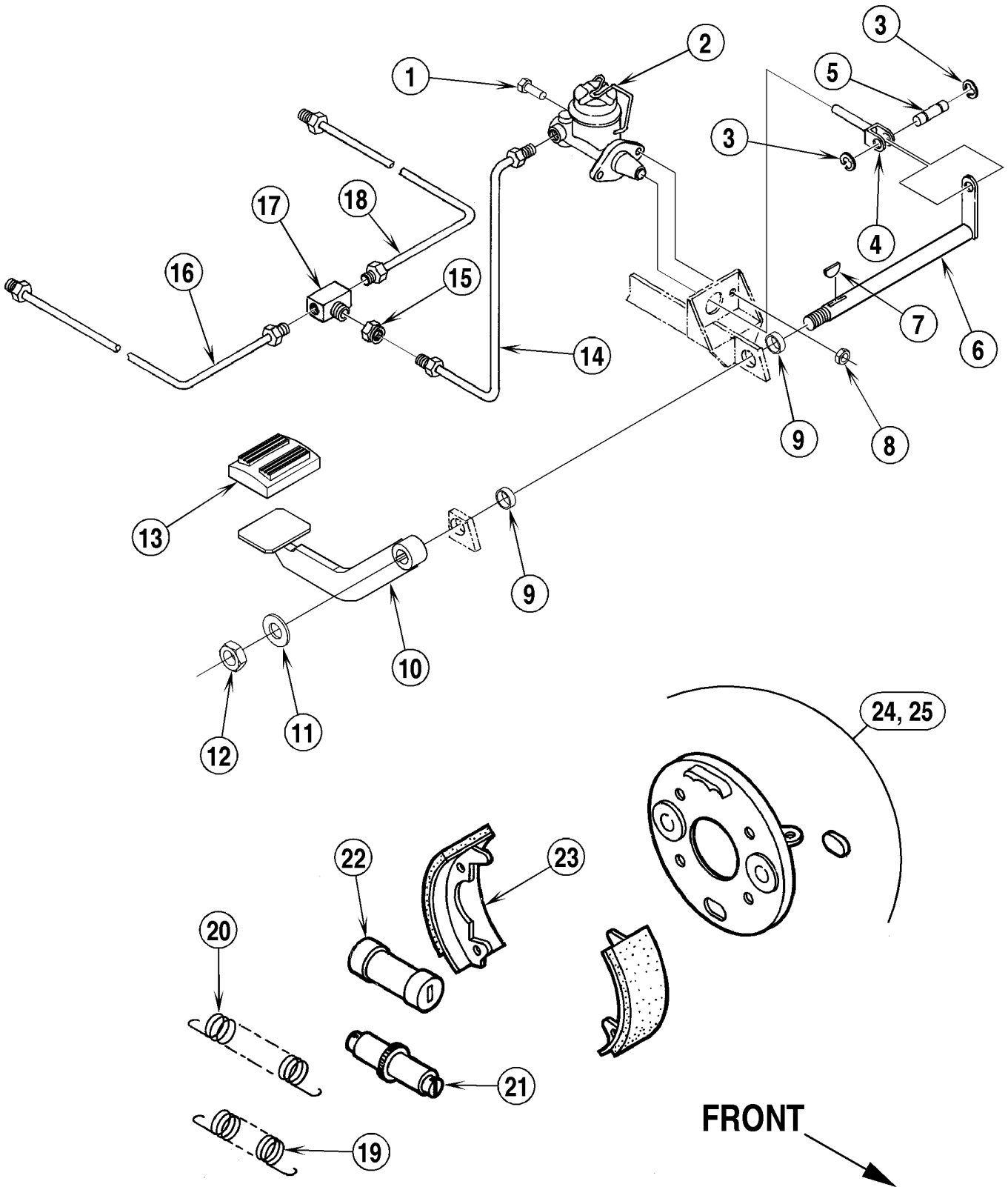
Item	Ref. No.	Qty	Description
	56459160	1	Impeller Assembly (#1-19 and 56459398 on Sound Box Assy)
1	56459396	1	Ring, Gasket
2	56001836	9	Scr, Hex Hd 1/4-20 x .62
3	56459395	1	Scroll Weld't.
4	56454626	1	Washer
5	56458622	1	Impeller
6	56003239	2	Key, Square .19 x 1.00
7	56457339	4	Spacer, Hex
8	56458602	1	Mount Weld't.
*	56474688	1	Gasket RS 1/4 x 1/2 x 93"
9	56001974	4	Scr, Hex Hd 5/16-18 x .75
	56458676	1	Housing Assembly (#10-17)
10	56459428	1	Housing, Fan Bearing
11	56481546	3	Plug, 1/8 NPT
12	56463602	1	Pipe Plug
13	56463601	1	Fitting, Relief
14	56463605	1	Shaft
15	56003314	2	Ring, Retainer
16	56463604	2	Bearing, Ball
17	56463603	2	Seal, Lip
18	56002021	2	Scr, Soc Set Loc 5/16-18 x .38
19	56458690	1	Sheave
20	56002667	4	Scr, Hex Hd 5/16-18 x .75
21	56458620	1	Bracket
22	56002701	4	Nut, Hex Nyl Loc 5/16-18
23	56009019	1	Scr, Hex Thd Form 1/4-20 x .38
24	56458646	1	Guard
25	56458684	1	Belt
	56459431	1	Jackshaft Assembly (#26-39)
26	56458688	1	Sheave
27	56009131	4	Scr, Soc Set Loc 5/16-18 x .31
28	56003241	1	Key, Square .19 x 1.31
29	56459412	1	Shaft
30	56459411	1	Bearing Housing
31	56003241	1	Key, Square .19 x 1.31
32	56459161	1	Sheave
33	56444731	2	Ring, Retaining
34	56154091	2	Bearing, Ball
35	56002123	4	Nut, Hex Machine 3/8-16
36	56002091	2	Scr, Hex Hd 3/8-16 x 2.00
37	56459430	1	Mount, Jackshaft
38	56002063	2	Wsh, Flt SAE 3/8
39	56002234	2	Scr, Hex Hd 3/8-16 x .62
40	56458682	1	Belt, V (Set of 2)
41	56015426	1	Decal, Warning, Fan
42	56030080	1	Decal, Hands Clear

* = Not Shown



99-6	FRONT DRIVE WHEELS	BOOK E		
04-8	Hydro-Retriever™ 2052G/P / CR 1300G/P	E	9.6.1	45

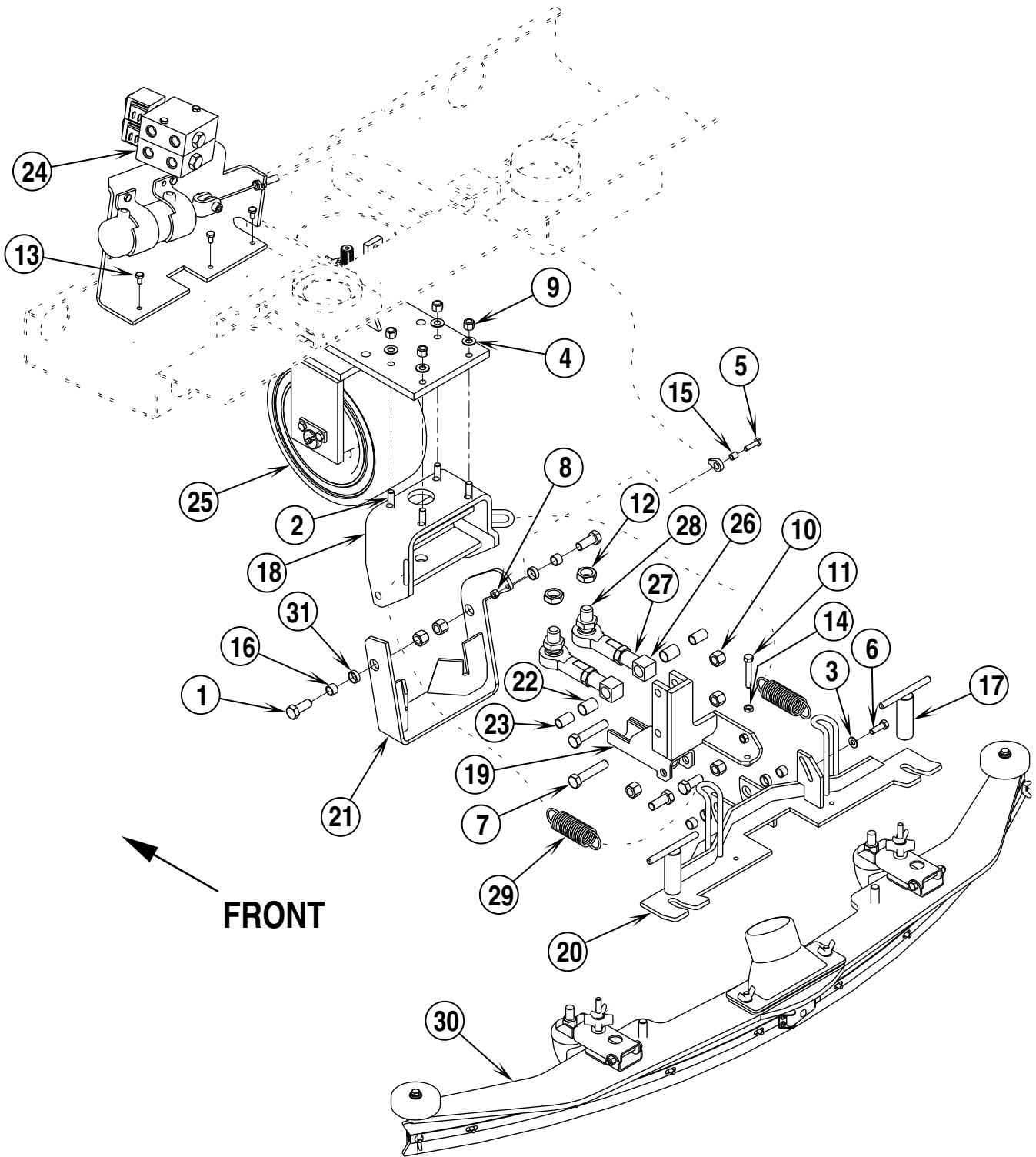
Item	Ref. No.	Qty	Description
1	56448200	1	Brake Lever w/ Pin
2	56002127	4	Scr, Hex Hd 3/8-16 x .75
3	56002769	4	Nut, Hex Nyl Loc 3/8-16
4	56455357	1	Pin
5	56001939	4	Wsh, Flt SAE 5/16
6	56002708	5	Nut, Hex Nyl Loc 1/4-20
7	56002221	1	Scr, Hex Hd 5/16-18 x 1.00
8	56455307	2	Cable
9	56455361	2	Bar
10	56001882	1	Pin, Cotter .06 x .75
11	56455353	1	Lever
12	56321427	1	Retaining Ring
13	56002034	3	Scr, Soc Hd 1/4-20 x 1.00
14	56002098	3	Wsh, Flt SAE 1/4
15	56455359	1	Clamp
16	56459176	1	Right Wheel Assembly
17	56002701	1	Nut, Hex Nyl Loc 5/16-18
18	56456902	2	Drive Motor
19	56003251	2	Key, sq .31 x 1.25
20	56455319	2	Bracket
21	56002460	4	Pin, Spr. .38 x .75
22	56002983	8	Scr, Hex Hd 1/2-13 x 2.00
23	56459155	2	Bracket
24	56459153	2	Skirt
25	56459154	2	Strap
26	56002514	6	Scr, Hex Hd 1/4-20 x .75
27	56459177	1	Left Wheel Assembly
28	56002770	9	Nut, Hex Nyl Loc 1/2-13
29	56455963	2	Tire Assembly (includes Tire & Hub)
	56455960	2	Tire 14" X 10" X 4-1/2"
30	56477822	1	Left Stator Assembly
31	56455348	2	Jackshaft
32	56001959	6	Scr, Soc Hd 5/16-18 x .75
33	56002456	8	Scr, Hex Hd Loc 5/16-18 x .75
34	56477819	1	Right Stator Assembly
35	56456326	2	Retaining Ring
36	56372773	2	Bearing
37	56469054	6	Pin
38	56455340	2	Bracket
39	56244832	2	Washer
40	56002923	4	Scr, Hex Hd Loc 5/16-18 x .50
41	56003021	2	Scr, Hex Hd Loc 3/8-16 x .62
42	56455339	4	Bar
43	56455329	1	Right Bracket
44	56367206	4	Bushing
45	56367214	4	Washer
46	56003022	4	Scr, Hex Hd Loc 1/2-13 x 1.25
47	56477884	2	Clamp
48	56001862	4	Scr, Hex Hd 5/16-18 x .50
49	56455363	2	Bracket
50	56002929	4	Scr, Hex Hd Loc 5/16-18 x .62
51	56373869	2	Spring
52	56455371	2	Bracket
53	56455335	1	Left Bracket



99-6	BRAKE SYSTEM	BOOK E		
01-1	Hydro-Retriever™ 2052G/P / CR 1300G/P	E	9.6.1	47

Item	Ref. No.	Qty	Description
1	56002127	2	Scr, Hex Hd 3/8-16 x .75
2	56477828	1	Master Cylinder
3	56321427	2	Retaining Ring
4	56477909	1	Rod
5	56477902	1	Pin
6	56455347	1	Shaft
7	56124028	1	Woodruff Key
8	56002769	2	Nut, Hex Nyl Loc 3/8-16
9	56370878	2	Bearing
10	56455341	1	Pedal
11	56367214	1	Washer
12	56002770	1	Nut, Hex Nyl Loc 1/2-13
13	56365002	1	Rubber Pad
14	56456845	1	Brake Line
15	56477831	1	Connector
16	56456843	1	Brake Line
17	56477832	1	Tee
18	56456841	1	Brake Line
19	56480396	2	Adjuster Spring
20	56480394	2	Shoe Return Spring
21	56480398	2	Adjuster
22	56480380	1	Left Wheel Cylinder
*	56480378	1	Right Wheel Cylinder
23	56477838	2	Brake Shoes (Set of 2)
24	56477819	1	Right Stator Assembly
25	56477822	1	Left Stator Assembly

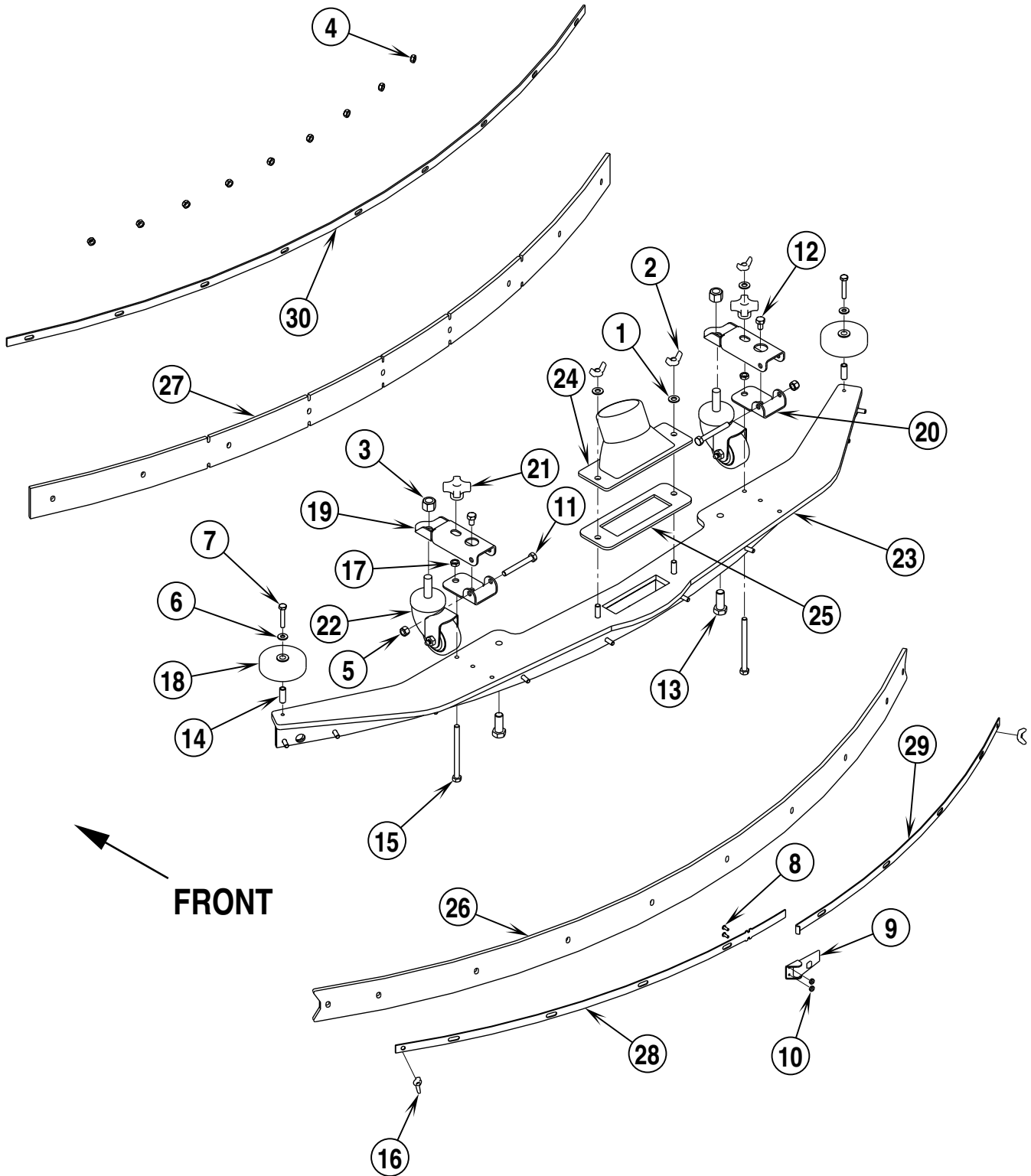
* = Not Shown



99-6	SQUEEGEE SYSTEM (before SN1312263)	BOOK E		
01-9	Hydro-Retriever™ 2052G/P / CR 1300G/P	E	9.6.1	49

Item	Ref. No.	Qty	Description
	56455296	1	Squeegee Mount Assembly
1	56001831	4	Scr, Hex 1/2-13 X 1.25
2	56001858	4	Scr, Hex Hd 3/8-16 X 1.25
3	56001939	1	Wsh, Flt SAE 5/16
4	56002063	4	Wsh, Flt SAE 3/8
5	56002093	1	Scr, Hex Hd 1/4-20 X 1.00
6	56002221	1	Scr, Hex Hd 5/16-18 X 1.00
7	56002533	2	Scr, Hex Hd 1/2-13 X 2.50
8	56002708	1	Nut, Hex Nyl Loc 1/4-20
9	56002769	4	Nut, Hex Nyl Loc 3/8-16
10	56002770	6	Nut, Hex Nyl Loc 1/2-13
11	56002872	1	Scr, Hex Thd to Hd SS 5/16-18 X 2.00
12	56003329	4	Nut, Hex Nyl Loc-Thin 3/4-16
13	56009033	3	Scr, Hex Thd Form 1/4-20 X .50
14	56009141	1	Nut, Hex Jam SS 5/16-18
15	56321532	1	Bushing .25 X .37 X .40
16	56360627	4	Bushing
17	56416562	2	Tee Handle Weldt
18	56455234	1	Squeegee Pivot Weldment
19	56455246	1	Squeegee Tongue Weldt
20	56455250	1	Squeegee Mount Weldt
21	56455275	1	Lift Arm Weldment
22	56455279	2	Bearing Sleeve
23	56455280	2	Bushing
24	56455295	1	Actuator Assembly (see Actuator Assembly before SN1312263)
25	56455737	1	Spindle Assembly (see Steering / Spindle Assembly) TSB 791
26	56455655	2	Linkage
27	56455657	2	Spacer, Linkage
28	56455660	2	Ball Joint, Reworked
29	56455735	2	Spring, Extension
30	56459467	1	Squeegee Assembly (see Squeegee Assembly before SN1312263)
31	56491662	4	Bearing, Sleeve

* = Not Shown

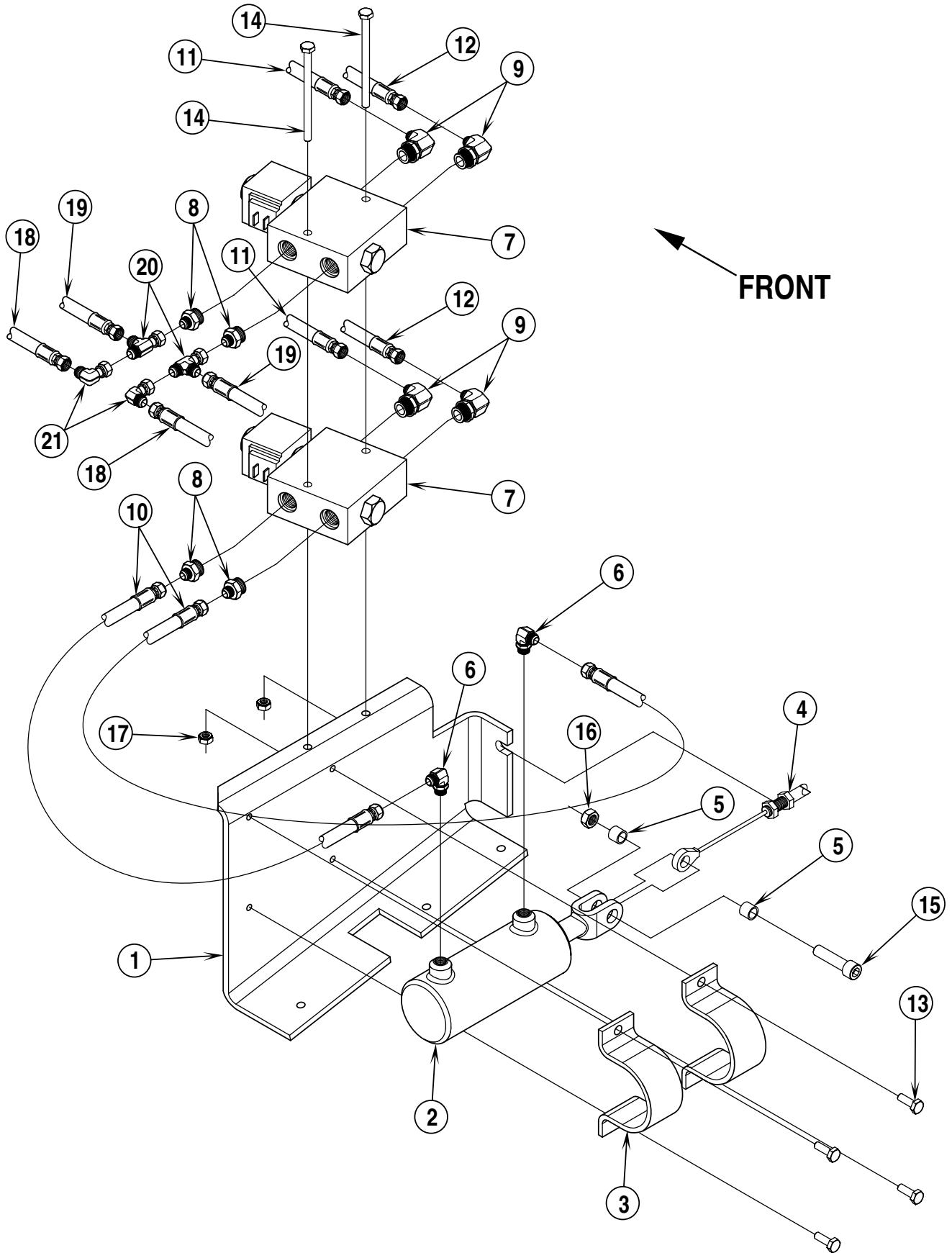


99-6	SQUEEGEE ASSEMBLY (before SN1312263)	BOOK E		
01-1	Hydro-Retriever™ 2052G/P / CR 1300G/P	E	9.6.1	51

Item	Ref. No.	Qty	Description
	56459467	1	Squeegee Assembly
1	56001939	2	Wsh, Flt SAE 5/16
2	56002370	2	Nut, Wing 5/16-18
3	56002770	2	Nut, Hex Nyl Loc 1/2-13
4	56002850	9	Nut, Hex Nyl Loc-Thin SS 1/4-20
5	56002856	2	Nut, Hex Nyl Loc SS 5/16-18
6	56002859	2	Wsh, Flt SAE SS 1/4
7	56002901	2	Scr, Hex Hd SS 1/4-20 X 1.50
8	56002909	2	Scr, Pan Phil SS 6-32 X .38
9	56471194	1	Latch Assembly
10	56002964	2	Nut, Hex Nyl Loc-Thin SS 6-32
11	56002970	2	Scr, Hex Thd to Hd SS 5/16-18 X 2.50
12	56002992	2	Scr, Hex Hd SS 5/16-18 X .50
13	56003452	2	Scr, Hex Thd to Hd SS 1/2-13 X 1.25
14	56471220	2	Bushing
15	56003481	2	Scr, Hex Thd to Hd SS 5/16-18 X 3.50
16	56009111	2	Nut, Wing SS 1/4-20
17	56009141	2	Nut, Hex Jam SS 5/16-18
18	56324499	2	Wheel 3.00
19	56407301	2	Bracket
20	56407302	2	Bracket
21	56407510	2	Knob
22	56407344	2	Caster Wheel
23	56453391	1	Squeegee Tool Weldt
24	56459102	1	Adapter, Squeegee
25	56459281	1	Gasket, Inlet
26	56459850	1	Blade, Rear
27	56459851	1	Blade, Front
28	56459468	1	Strap, Rear Left Restraining
29	56459469	1	Strap, Rear Right Restraining
30	56459470	1	Strap, Front Restraining
*	56455618	1	Hose, Squeegee
**	56455743	1	Blade Kit (Gum Rubber)
	56459466	1	Blade, Front (Replaces #27)
	56459465	1	Blade, Rear (Replaces #26)
**	56459856	1	Blade Kit (Linatex)

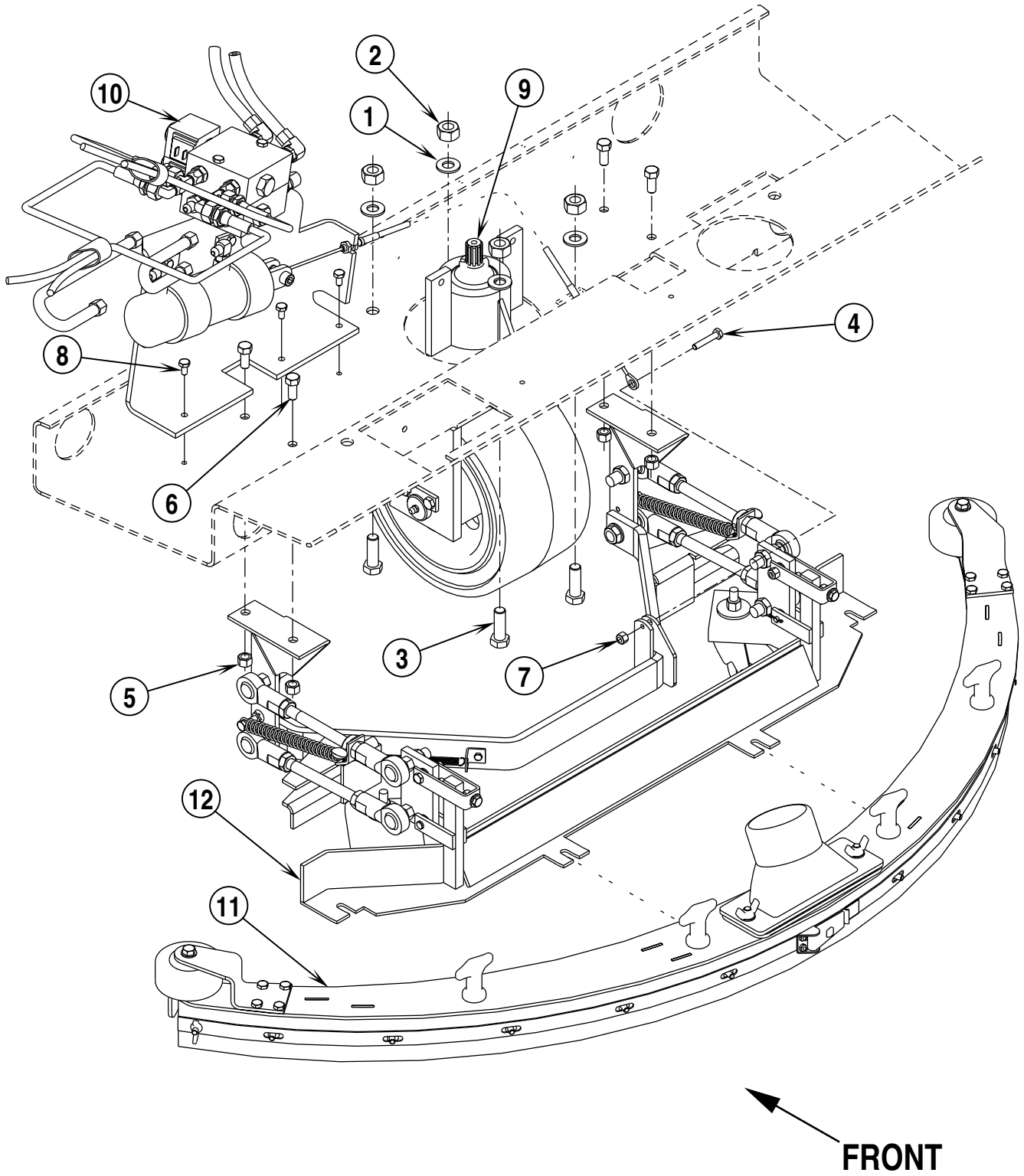
* = Not Shown

** = Optional Accessory



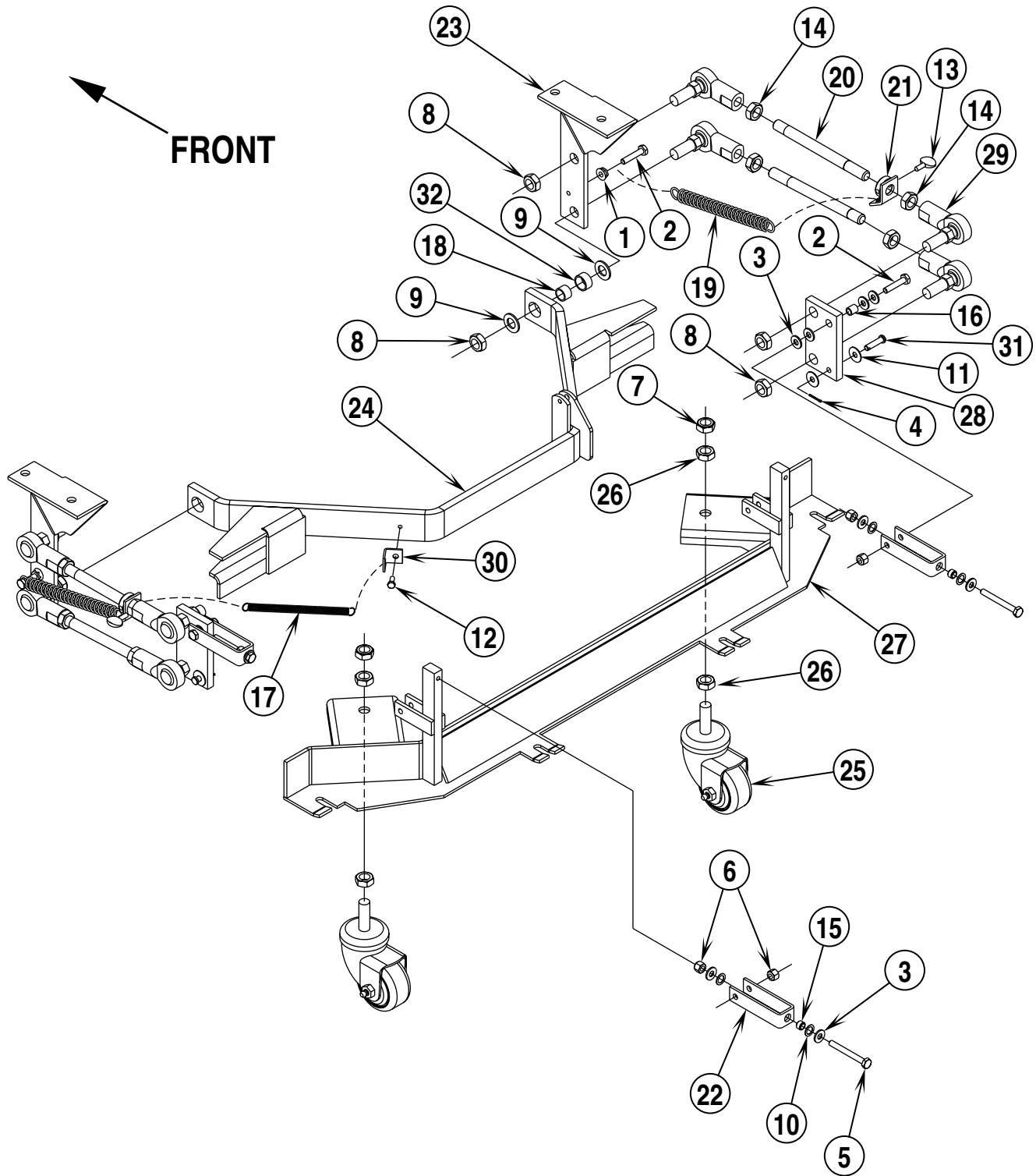
99-6	ACTUATOR ASSEMBLY (before SN1312263)	BOOK E		
01-1	Hydro-Retriever™ 2052G/P / CR 1300G/P	E	9.6.1	53

Item	Ref. No.	Qty	Description
	56455295	1	Actuator Assembly
1	56455294	1	Mount
2	56459163	1	Cylinder
3	56459164	2	Strap
4	56455633	1	Cable Assy.
5	56388326	2	Bushing
6	56900101	2	Elbow 90 ⁰
7	56459236	2	Valve, Control
8	56900011	4	Connector
9	56900110	4	Elbow 90 ⁰
10	56492676	2	Hose
11	56490167	2	Hose
12	56456919	2	Hose
13	56009018	4	Scr, Hex Thd Form 1/4-20 x .75
14	56002985	2	Scr, Hex Hd 1/4-20 x 3.75
15	56002316	1	Scr, Hex Hd 3/8-16 x 1.50
16	56002841	1	Nut, Hex Nyl Loc-Thin 3/8-16
17	56002840	2	Nut, Hex Nyl Loc-Thin 1/4-20
18	56455539	1	Hose & Sleeve
19	56455540	1	Hose & Sleeve
20	56900341	2	Fitting, Tee
21	56900301	2	Elbow 90 ⁰



99-6	SQUEEGEE SYSTEM (after SN1312262)	BOOK E		
01-9	Hydro-Retriever™ 2052G/P / CR 1300G/P	E	9.6.1	55

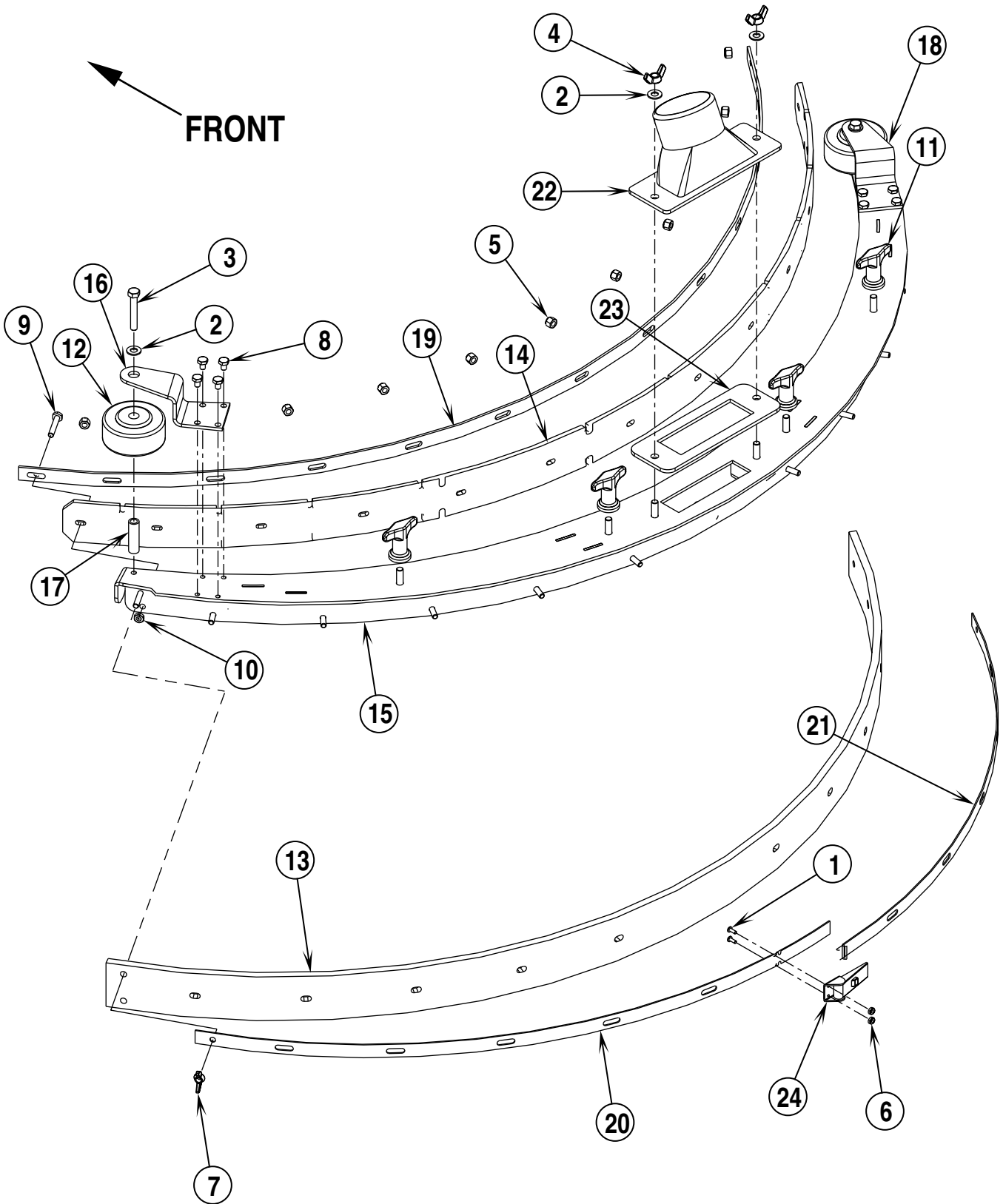
Item	Ref. No.	Qty	Description
	56455853	1	Squeegee Mount Assembly
1	56001879	4	Wsh, Flt SAE 1/2
2	56001891	4	Nut, Hex Hvy 1/2-13
3	56001968	4	Scr, Hex Hd 1/2-13 x 1.50
4	56001878	1	Scr, Hex Hd 1/4-20 x 1.25
5	56002123	4	Nut, Hex Machine 3/8-16
6	56002271	4	Scr, Hex Hd 3/8-16 x .88
7	56002708	1	Nut, Hex Nyl Loc 1/4-20
8	56009033	3	Scr, Hex Thd Form 1/4-20 x .50
9	56459859	1	Spindle Assembly (see Steering / Spindle Assembly) TSB 791 (before SN1523848)
	56453031	1	Spindle Assembly (see Steering / Spindle Assembly) TSB 791 (after SN1523847)
10	56460050	1	Actuator Assembly (see Actuator Assembly after SN1312262)
11	56455875	1	Squeegee Assembly (see Squeegee Assembly after SN1312262)
12	56459093	1	Mount Assembly (see Mount Assembly after SN1312262)



99-6	MOUNT ASSEMBLY (after SN1312262)	BOOK E		
01-1	Hydro-Retriever™ 2052G/P / CR 1300G/P	E	9.6.1	57

Item	Ref. No.	Qty	Description
	56459093	1	Mount Assembly
1	56001827	2	Nut, Whiz 1/4-20
2	56001878	4	Scr, Hex Hd 1/4-20 x 1.25
3	56002098	12	Wsh, Flt SAE 1/4
4	56002363	2	Pin, Cotter .06 x .62
5	56002703	2	Scr, Hex Thd To Hd 1/4-20 x 2.25
6	56002708	4	Nut, Hex Nyl Loc 1/4-20
7	56002843	2	Nut, Hex Nyl Loc-Thin 1/2-13 (See Note #1)
8	56002868	8	Nut, Hex Nyl Loc-Thin 1/2-20
9	56009017	4	Wsh, Flt Harden .516 x .938 x .75
10	56009023	4	Washer, Wave .375
11	56009025	4	Wsh, Flt .266 x .750 x .036
12	56009039	1	Scr, Hex Thd Form 10-24 x .50
13	56009058	2	Screw, Thumb 1/4 x 1/2
14	56009089	8	Nut, Hex Jam 1/2-20
15	56206784	2	Bushing
16	56321532	2	Bushing .25 x .37 x .40
17	56358560	1	Spring, Ext.
18	56360627	2	Bushing
19	56448112	2	Spring, Ext.
20	56454273	4	Rod
21	56454276	2	Collar Weldment
22	56454285	2	Yoke
23	56456783	2	Bracket Weldment
24	56458818	1	Lifter Weldment
25	56407344	2	Caster Wheel (See Note #1)
26	56009016	4	Nut, Hex Jam 1/2-13 (See Note #1)
27	56459091	1	Mount Weldment
28	56459092	2	Plate
29	56477813	8	Ball Joint
30	56482208	1	Tab
31	56487989	2	Clevis Pin .25 x 1.00
32	56491656	2	Bearing, Sleeve

Note#1 The original caster had a threaded shaft of 3/8", this caster (56407344) has a 1/2" diameter shaft. When replacing a 3/8" caster you will need to order 1/2" nuts (56002843 & 56009016). The holes in **(27)** Mount Weldment will have to be drilled out to a diameter of 1/2" to accommodate the new casters. Replace both casters together if replacing a caster with a 3/8" shaft.

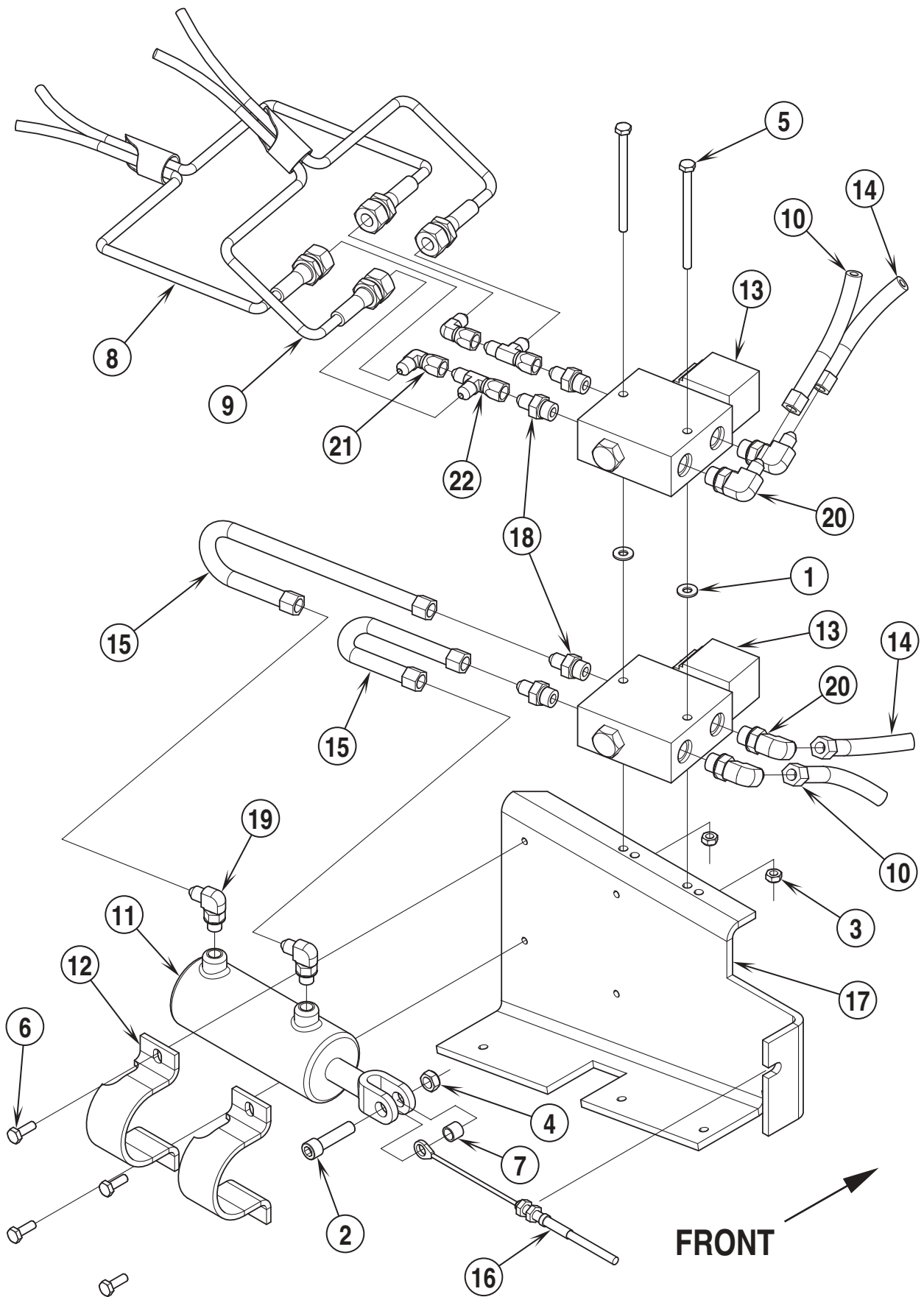


99-6	SQUEEGEE ASSEMBLY (after SN1312262)	BOOK E		
01-1	Hydro-Retriever™ 2052G/P / CR 1300G/P	E	9.6.1	59

Item	Ref. No.	Qty	Description
	56455875	1	Squeegee Assembly
1	56001904	2	Scr, Pan Phil 6-32 x .38
2	56001939	4	Wsh, Flt SAE 5/16
3	56002013	2	Scr, Hex Thd To Hd 5/16-18 x 2.00
4	56002370	2	Nut, Wing 5/16-18
5	56002708	11	Nut, Hex Nyl Loc 1/4-20
6	56002864	2	Nut, Hex Nyl Loc-Thin 6-32
7	56003089	2	Nut, Wing 1/4-20
8	56009019	8	Scr, Hex Thd Form 1/4-20 x .38
9	56009028	2	Scr, Hex Thd Form 1/4-20 x 1.50
10	56009087	2	Nut, Hex Jam 1/4-20
11	56370711	4	Nut, Thumb
12	56386127	2	Wheel, 3.00 x 1.25
13	56455854	1	Blade, Rear
14	56455855	1	Blade, Front
15	56455874	1	Tool Weldment
16	56455877	1	Mount, Left Squeegee Wheel
17	56455878	2	Bushing
18	56455883	1	Mount, Right Squeegee Wheel
19	56455964	1	Strap, Front Blade
20	56455965	1	Strap, Rear Left Blade
21	56455966	1	Strap, Rear Right Blade
22	56459102	1	Adapter, Squeegee
23	56459281	1	Gasket, Inlet
24	56471194	1	Latch Assembly
*	56455618	1	Hose, Squeegee
**	56455859	1	Blade Kit (Gum Rubber)
**	56455882	1	Blade, Front (Replaces #14)
**	56455881	1	Blade, Rear (Replaces #13)
**	56455858	1	Blade Kit (Linatex)

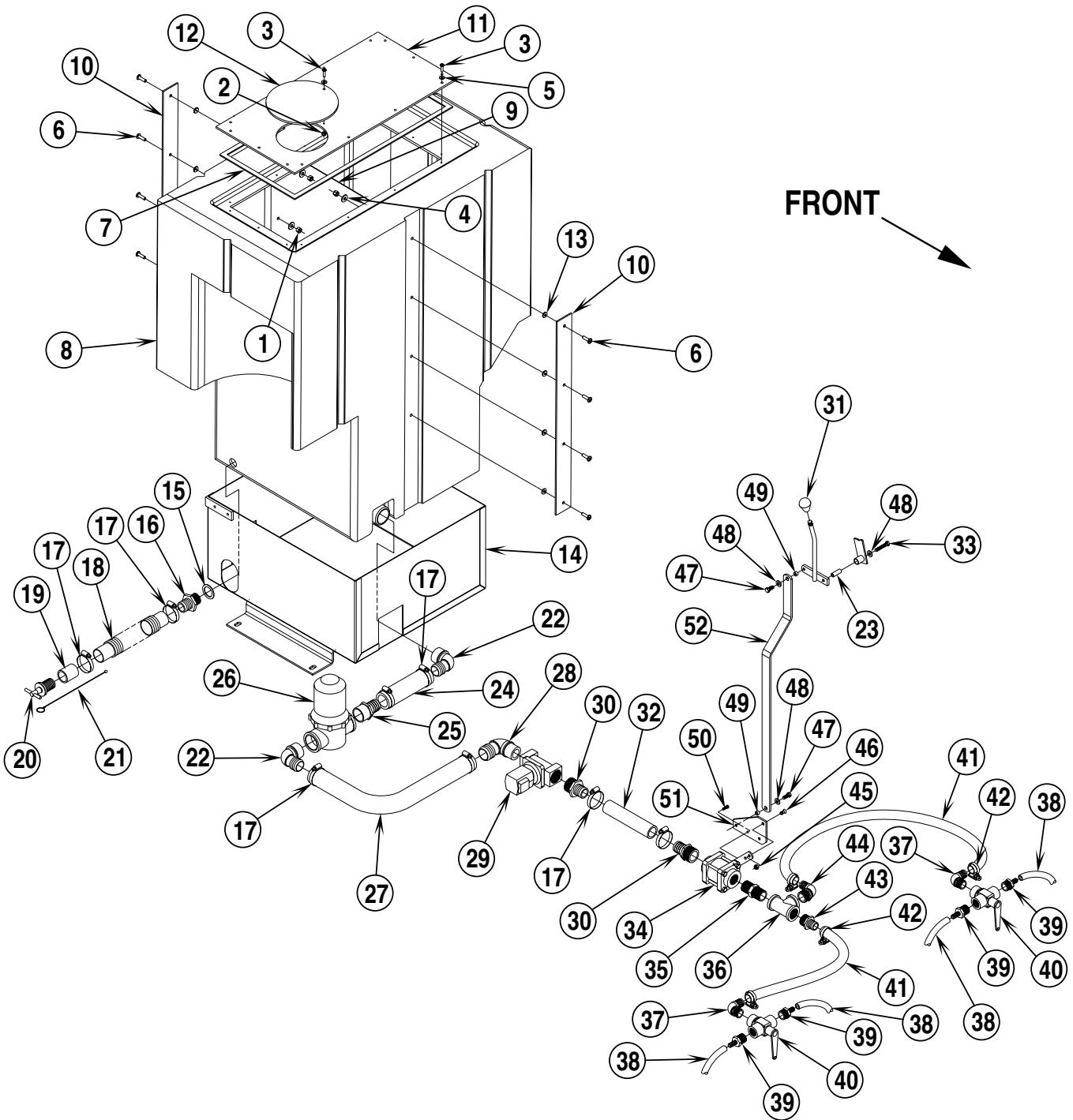
* = Not Shown

** = Optional Accessory



99-6	ACTUATOR ASSEMBLY (after SN1312262)	BOOK E		
02-5	Hydro-Retriever™ 2052G/P / CR 1300G/P	E	9.6.1	61

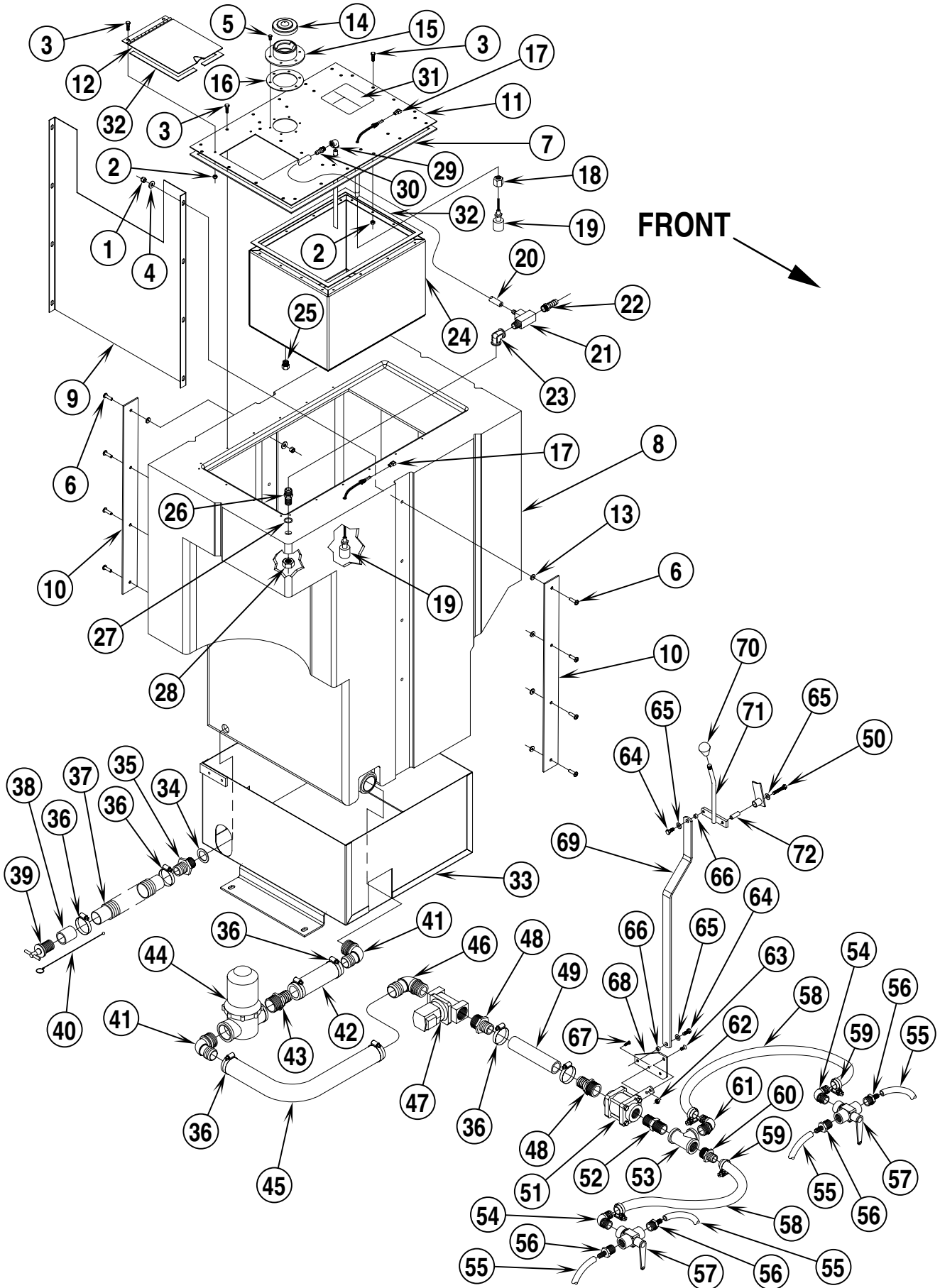
Item	Ref. No.	Qty	Description
	56460050	1	Actuator Assembly
1	56002098	2	Wsh, Flt SAE 1/4
2	56002316	1	Scr, Soc Hd 3/8-16 x 1.50
3	56002840	2	Nut, Hex Nyl Loc-Thin 1/4-20
4	56002841	1	Nut, Hex Nyl Loc-Thin 3/8-16
5	56002986	2	Scr, Hex Hd 1/4-20 x 3.75
6	56009018	4	Scr, Hex Thd Form 1/4-20 x .75
7	56388326	1	Bushing
8	56455539	1	Hose & Sleeve Assy
	56455543	1	Hose Assy
	56455544	1	Hose Assy
	56455550	1	Sleeve, Protective
	56477613	2	Tie, Cable
9	56455540	1	Hose & Sleeve Assy
	56455546	1	Hose Assy
	56455547	1	Hose Assy
	56455549	1	Sleeve, Protective
	56477613	2	Tie, Cable
10	56456919	2	Hose Assy
11	56459163	1	Cylinder
12	56459164	2	Strap
13	56459236	2	Valve, Control
14	56490167	2	Hose Assy
15	56492676	2	Hose Assy
16	56460048	1	Cable Assy
17	56460049	1	Mount
18	56900011	4	Connector, O-Ring
19	56900101	2	Elbow, 90 O-Ring
20	56900110	4	Elbow, 90 O-Ring
21	56900301	2	Elbow, 90 W/Nut
22	56900341	2	Tee, Run W/Nut



99-6	SOLUTION SYSTEM (STANDARD)	BOOK E		
01-1	Hydro-Retriever™ 2052G/P / CR 1300G/P	E	9.6.1	63

Item	Ref. No.	Qty	Description	Item	Ref. No.	Qty	Description
	56455423	1	Solution Tank Assembly (#1-13)	31	56378534	1	Knob
1	56002491	8	Nut, Hex Nyl Loc SS 1/4-20	32	56456473	1	Hose
2	56002849	1	Nut, Hex Nyl Loc-Thin SS 10-24	33	56001833	1	Scr, Hex Hd 1/4-20 x 1.50
3	56002894	15	Scr, Pan Phil SS 10-24 x .75	34	56456617	1	Valve Assy. W/Handle
4	56002914	8	Wsh, Flt STD SS 1/4	35	56456799	1	Nipple, 3/4 NPT PVC
5	56002916	15	Wsh, Flt SAE SS #10	36	56456803	1	Tee, 3/4 NPT PVC
6	56002958	8	Scr, Pan Phil 1/4-20 x 1.25	37	56244985	2	Barb, 3/4 x 1/2 NPT x 90 ⁰
7	56209435	1	Gasket RS .12 x .50 x 72"	38	56456830	4	Tube, 3/8 x 10.00
8	56455381	1	Solution Tank	*	56373792	4	Spring, Com. .30 x 5.50
9	56455413	1	Baffle, Solution Tank	39	56749202	4	Barb, 3/8 x 1/2 NPT
10	56455421	2	Strap, Solution Tank	40	56454612	2	Valve, Flow Control
11	56455486	1	Cover	41	56456835	2	Hose, 3/4 x 15.00
12	56456072	1	Cover	*	56245010	2	Spring, Com. .68 x 15.00
13	56900737	8	Washer, Sealing 1/4	42	56244969	4	Clamp, Hose SAE 12
14	56455431	1	Base Weld't.	43	56456801	1	Hose, Insert 3/4 NPT
15	56456068	1	Washer, Sealing	44	56456802	1	Barb, Elbow 3/4 NPT x 3/4
16	56456058	1	Barb, 1" Hose	45	56002840	1	Nut, Hex Nyl Loc-Thin 1/4-20
17	56329145	8	Clamp, Hose SAE 24	46	56002784	1	Scr, Flt Phil 1/4-20 x .75
18	56386035	1	Hose, Flex	47	56001836	2	Scr, Hex Hd 1/4-20 x .62
19	56459433	1	Sleeve, Hose End	48	56002098	2	Wsh, Flt SAE 1/4
20	56260098	1	Plug, T-Handle	49	56379298	2	Bushing
21	56261378	1	Strap, Cork	50	56002894	1	Scr, Pan Phil SS 10-24 x .75
22	56900913	2	Fitting, Male Elbow Barb 1-1/4 NPT x 1.25	51	56456827	1	Lever
23	56471220	1	Bushing	52	56456821	1	Linkage
24	56456243	1	Hose				
25	56900910	1	Fitting, Barb Adapter 1-1/4 NPT x 1.25				
26	56456241	1	Strainer, In-Line				
**	56455838	1	Bowl, Strainer				
*	56477616	2	Cable Ties				
			(used to mount Strainer to chassis)				
27	56456242	1	Hose				
28	56900911	1	Fitting, Male Elbow Barb 1 NPT x 1.25				
29	56459481	1	Valve, 2 Way Solenoid				
30	56454168	2	Barb, 1 NPT x 1 Male				

* = Not Shown
** = Optional Accessory

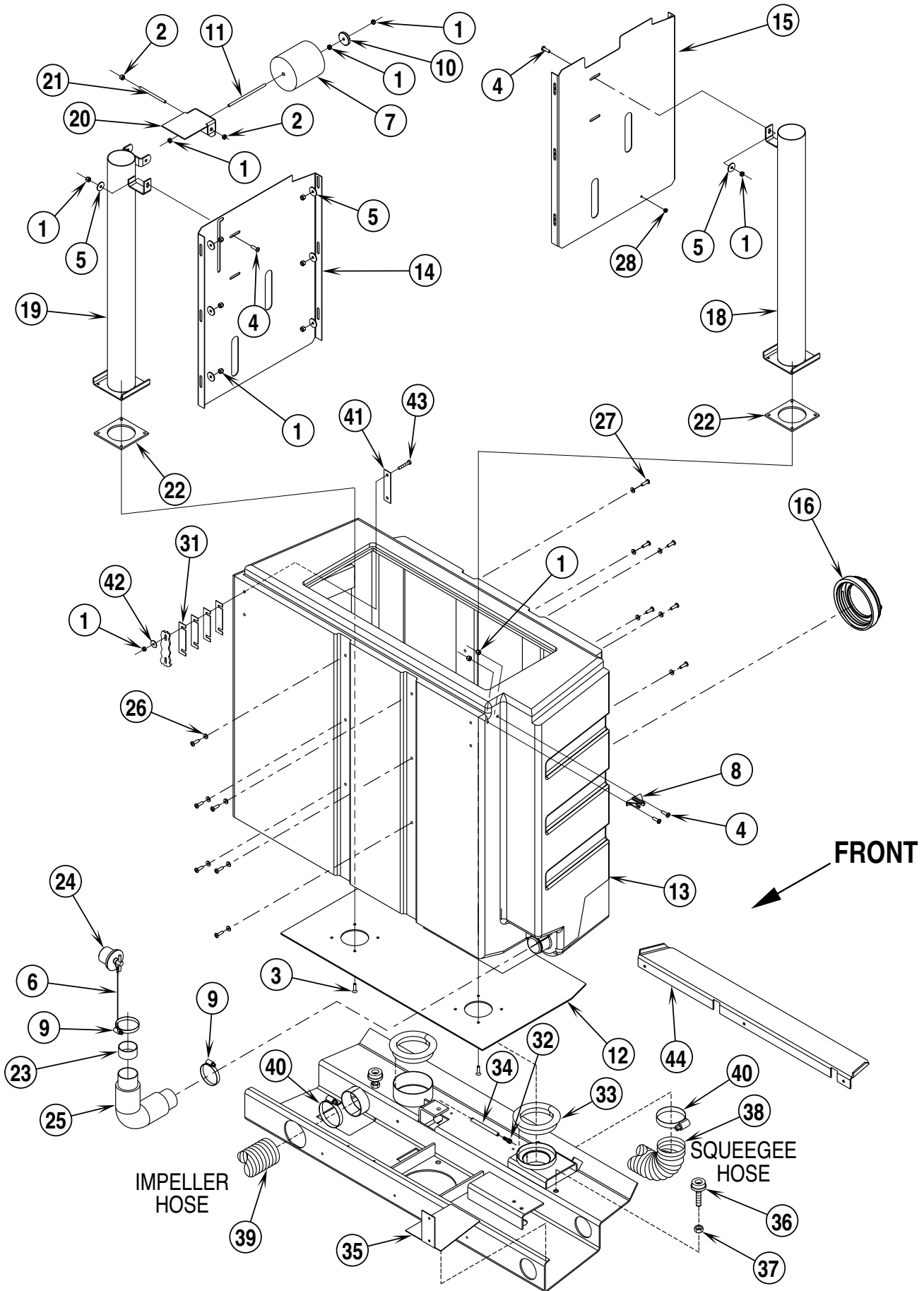


99-6	SOLUTION SYSTEM (HYDRO-MAX™ II)	BOOK E		
01-1	Hydro-Retriever™ 2052G/P / CR 1300G/P	E	9.6.1	65

Item	Ref. No.	Qty	Description	Item	Ref. No.	Qty	Description
	56455037	1	Solution Tank Assembly (#1-32)	41	56900913	2	Fitting, Male Elbow Barb 1-1/4 NPT x 1.25
1	56002491	8	Nut, Hex Nyl Loc SS 1/4-20	42	56456243	1	Hose
2	56002836	18	Nut, Hex Nyl Loc SS 10-24	43	56900910	1	Fitting, Barb Adapter 1-1/4 NPT x 1.25
3	56002504	15	Scr, Hex 10-24 x .75	44	56456241	1	Strainer, In-Line
4	56002914	8	Wsh, Flt STD SS 1/4	**	56455838	1	Bowl, Strainer
5	56003128	6	Scr, Hex 8-32 x .38	*	56477616	5	Cable Ties
6	56002958	8	Scr, Pan Phil 1/4-20 x 1.25	45	56456242	1	Hose
7	56209435	1	Gasket RS .12 x .50 x 72"	46	56900911	1	Fitting, Male Elbow Barb 1 NPT x 1.25
8	56455038	1	Solution Tank	47	56459481	1	Valve, 2 Way Solenoid
9	56455039	1	Baffle	48	56454168	2	Barb, 1 NPT x 1 Male
10	56455421	2	Strap, Solution Tank	49	56456473	1	Hose
11	56456135	1	Panel Weldment	50	56001833	1	Scr, Hex Hd 1/4-20 x 1.50
12	56452110	1	Cover Weldment	51	56456617	1	Valve Assy. W/Handle
13	56900737	8	Washer, Sealing 1/4	52	56456799	1	Nipple, 3/4 NPT PVC
14	56478502	1	Cap Fuel Tank	53	56456803	1	Tee, 3/4 NPT PVC
15	56456137	1	Filler Weldment	54	56244985	2	Barb, 3/4 x 1/2 NPT x 90 ⁰
16	56456104	1	Gasket	55	56456830	4	Tube, 3/8 x 10.00
17	56462360	2	Conn Wr Pk Male 2 W	*	56373792	4	Spring, Com. .30 x 5.50
18	56749649	1	Coupling, 1/8 Brass	56	56749202	4	Barb, 3/8 x 1/2 NPT
19	56459260	2	Switch Assy	57	56454612	2	Valve, Flow Control
20	56456560	1	Hose	58	56456835	2	Hose, 3/4 x 15.00
21	56260170	1	Injector, Chemical	*	56245010	2	Spring, Com. .68 x 15.00
22	56443972	1	Barb 1/2 x 3/8 Brass	59	56244969	4	Clamp, Hose SAE 12
23	56757310	1	Elbow 3/8 x 90 Brass	60	56456801	1	Hose, Insert 3/4 NPT
24	56456098	1	Tank, Chemical	61	56456802	1	Barb, Elbow 3/4 NPT x 3/4
25	56740136	1	Plug, Brass	62	56002840	1	Nut, Hex Nyl Loc-Thin 1/4-20
26	56172072	1	Nipple 3/8 NPT x 5/8-18	63	56002784	1	Scr, Flt Phil 1/4-20 x .75
27	56742552	1	O-Ring	64	56001836	2	Scr, Hex Hd 1/4-20 x .62
28	56745860	1	Nut Jam .625-18	65	56002098	2	Wsh, Flt SAE 1/4
29	56111295	1	Elbow 1/8 x 90 Brass	66	56379298	2	Bushing
30	56443972	1	Barb 1/2 x 3/8 Brass	67	56002894	1	Scr, Pan Phil SS 10-24 x .75
31	56025596	1	Decal	68	56456827	1	Lever
32	56330682	1	Gasket RS 1/16 x 1/2 x 120"	69	56456821	1	Linkage
33	56455431	1	Base Weld't.	70	56378534	1	Knob
34	56456068	1	Washer, Sealing	71	56455643	1	Lever
35	56456058	1	Barb, 1" Hose	72	56471220	1	Bushing
36	56329145	8	Clamp, Hose SAE 24				
37	56386035	1	Hose, Flex				
38	56459433	1	Sleeve, Hose End				
39	56260098	1	Plug, T-Handle				
40	56261378	1	Strap, Cork				

* = Not Shown

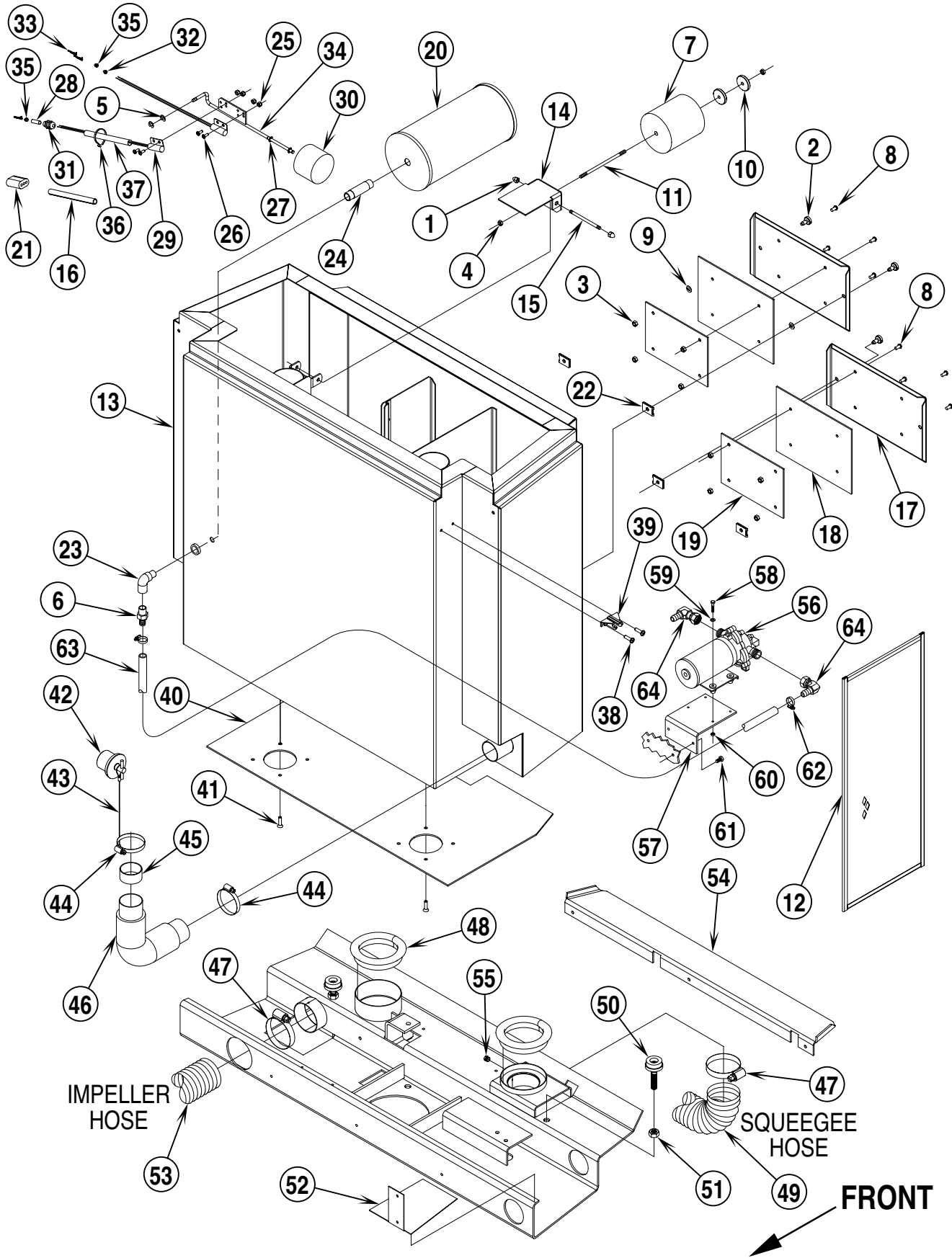
** = Optional Accessory



99-6	RECOVERY TANK (STANDARD)	BOOK E		
01-2	Hydro-Retriever™ 2052G/P / CR 1300G/P	E	9.6.1	67

Item	Ref. No.	Qty	Description	Item	Ref. No.	Qty	Description
	56455493	1	Recovery Tank Assembly (#1-30) (2052 before Oct. 1999)	21	56459131	1	Rod
	56455988	1	Recovery Tank Assembly (#1-30) (CR1300 before Oct. 1999)	22	56459136	2	Gasket
	56456003	1	Recovery Tank Assembly (#1-30) (2052 after Sept. 1999)	23	56459250	1	Tube
	56456011	1	Recovery Tank Assembly (#1-30) (CR1300 after Sept. 1999)	24	56459253	1	Plug, T-Handle
1	56002491	23	Nut, Hex Nyl Loc SS 1/4-20	25	56459254	1	Hose
2	56002850	2	Nut, Hex Nyl Loc-Thin SS 1/4-20	26	56900737	12	Washer, Sealing 1/4
3	56003074	8	Scr, Flt Phil SS 1/4-20 x 1.00	27	56002958	12	Scr, Pan Phil SS 1/4-20 x 1.25
4	56003087	4	Scr, Pan Phil SS 1/4-20 x .88	28	56002849	1	Nut, Hex Nyl Loc-Thin SS 10-24
5	56009060	15	Wsh, Flt SS .26 x 1.00 x .07	29			Intentionally Omitted
6	56261378	1	Cork Strap	30			Intentionally Omitted
7	56385349	1	Float	31	56455639	8	Shim (before Oct. 1999)
8	56386058	1	Hanger	32	56477522	1	Barb 3/16 x 1/8 Brass
9	56440213	2	Clamp, Hose SAE #32	33	56455984	2	Gasket, Bulb 1' (.304 M)
10	56454721	2	Weight	34	56457094	1	Hose
11	56454724	1	Rod	35	56455495	1	Shield, Heat
12	56455378	1	Plate, Recovery Tank	36	56449221	2	Bumper 1.43 Dia.
13	56455385	1	Recovery Tank (2052 before Oct. 1999)	37	56009016	2	Nut, Hex Jam 1/2-13
	56459948	1	Recovery Tank (CR1300 before Oct. 1999)	38	56455618	1	Hose, Squeegee
	56456002	1	Recovery Tank (2052 after Sept. 1999)	39	56455622	1	Hose, Impeller
	56456012	1	Recovery Tank (CR1300 after Sept. 1999)	40	56352829	2	Hose Clamp
14	56455386	1	Baffle, Right	41	56455552	2	Retainer, Tank (before Oct. 1999)
15	56455387	1	Baffle, Left	42	56002859	4	Wsh, Flt SAE SS 1/4 (before Oct. 1999)
16	56455671	1	Cleanout Cap Assembly	43	56002901	4	Scr, Hex SS 1/4-20 x 1.50 (before Oct. 1999)
*	56488867	1	O-Ring	44	56456153	1	Deflector (before Oct. 1999)
*	56455826	1	Inner Ring	*	56016374	1	Decal, Drain Tank
*	56455825	1	Outer Ring	*	56016375	1	Decal, Warning Cap Release
*	56455435	1	Gasket, Cleanout Cap				
17			Intentionally Omitted				
18	56455582	1	Left Standpipe Weld't.				
19	56455583	1	Right Standpipe Weld't.				
20	56459130	1	Shutoff				

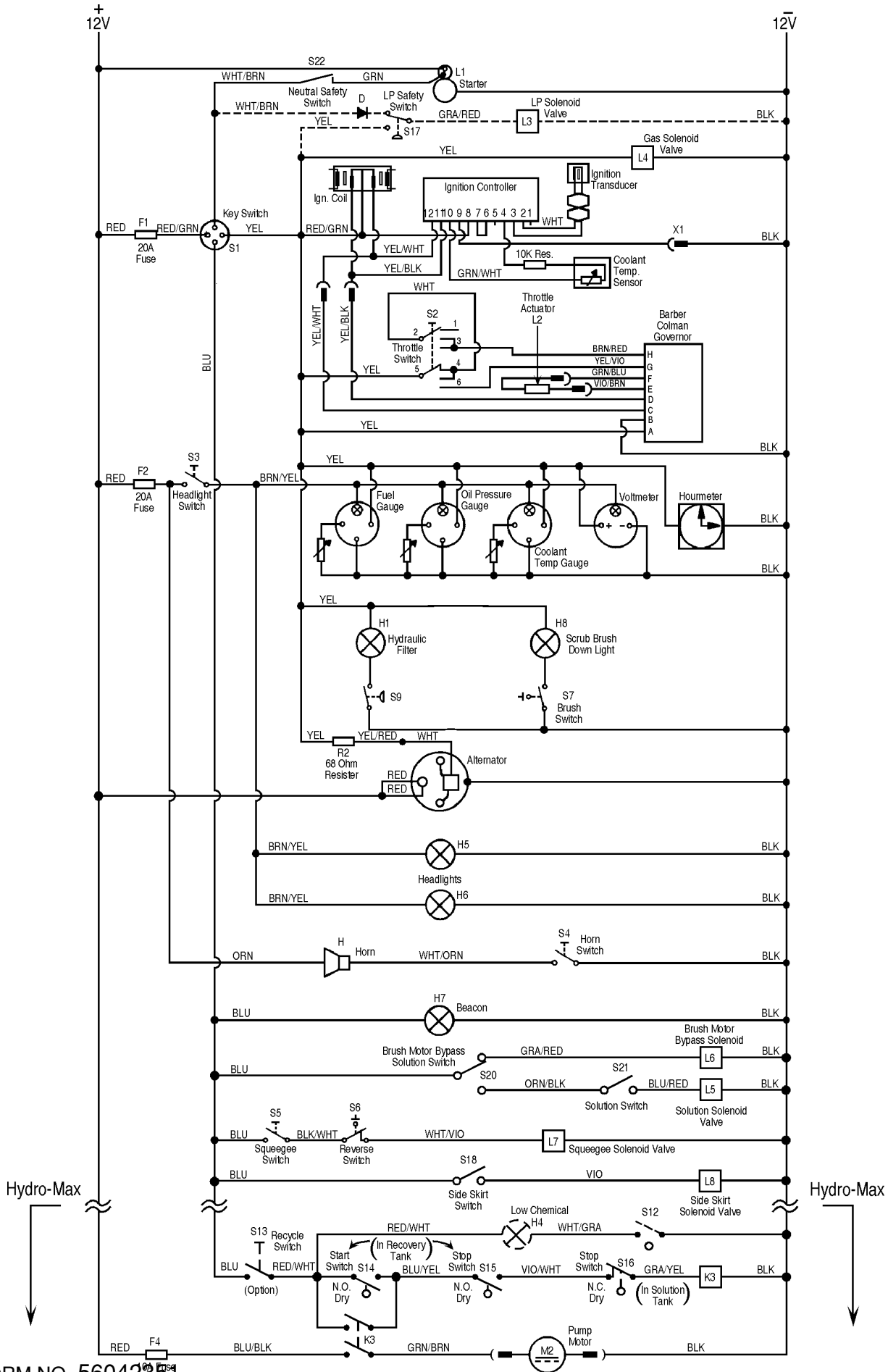
* = Not Shown



99-6	RECOVERY TANK (HYDRO-MAX™ II)	BOOK E		
01-1	Hydro-Retriever™ 2052G/P / CR 1300G/P	E	9.6.1	69

Item	Ref. No.	Qty	Description	Item	Ref. No.	Qty	Description
	56455040	1	Recovery Tank Assembly (#1-37)	36	56478246	1	Tie, Cable
1	56002062	2	Nut, Cap 1/4-20	37	56489522	1	Sleeve, R.S.
2	56002152	8	Scr, Rnd Hd Slit Brs 1/4-20 x .50	38	56003087	2	Scr, Pan Phil SS 1/4-20 x .88
3	56002378	8	Nut, Hex Brass 1/4-20	39	56386058	1	Hanger
4	56002473	2	Nut, Hex Flex Loc 1/4-20	40	56455378	1	Plate, Recovery Tank
5	56003268	2	Ring, Ret Ext Type E Reinf. 0.25 Dia.	41	56003074	8	Scr, Fit Phil SS 1/4-20 x 1.00
6	56118117	1	Barb, Adapter 1/2 x 1/2 NPT	42	56459253	2	Plug, T-Handle
7	56385349	1	Float	43	56261378	2	Cork Strap
8	56448104	4	Screw Fastener	44	56440213	4	Clamp, Hose
9	56448108	4	Washer, Retainer	45	56459250	2	Tube
10	56454721	2	Weight	46	56459254	2	Hose
11	56454724	1	Rod	47	56352829	2	Hose Clamp
12	56455389	1	Screen, Panel	48	56459112	2	Gasket, Bulb 1' (.304 M)
13	56455723	1	Tank Weldment	49	56455618	1	Hose, Squeegee
14	56459130	1	Shutoff	50	56449221	2	Bumper 1.43 Dia.
15	56459131	1	Rod	51	56009016	2	Nut, Hex Jam 1/2-13
16	56900680	1	Conduit (6")	52	56455495	1	Shield, Heat
17	56459302	2	Cover	53	56455622	1	Hose, Impeller
18	56459303	2	Gasket, Door	54	56456153	1	Deflector
19	56459312	2	Plate	55	56481546	1	Plug, 1/8-27 NPT
20	56459321	1	Strainer	56	56459262	1	Pump Assy
21	56462072	1	Connector, Male	57	56456144	1	Mount, Pump
22	56468960	4	Screw, Receptacle	58	56009176	4	Scr, Hex Thd Form 10-24 x 1.00
23	56742125	1	Elbow, 90 Street	59	56001954	4	Wsh, Fit SAE #10
24	56755258	1	Nipple, 1/4-18	60	56002768	4	Nut, Hex Nyl Loc #10-24
	56459259	1	Switch Assembly (#25-37)	61	56009033	2	Scr, Hex Thd Form 1/4-20 x .50
25	56002836	4	Nut, Hex Nyl Loc SS 10-24	62	56112771	2	Hose Clamp
26	56002900	4	Scr, Pan Phil SS 10-24 x .50	63	56456749	1	Hose
27	56003268	2	Ring, Ret Ext Type E Reinf. 0.25 Dia.	64	56261246	2	Elbow
28	56387558	4	Insulator Tube .31				
29	56388167	2	Switch, Encl Mercury				
30	56456023	1	Float, Foam				
31	56456027	1	Strain Relief				
32	56459263	1	Seal, Weather Pack				
33	56459264	3	Terminal, Weather Pack, Male				
34	56459320	1	Rod Weldment				
35	56462074	2	Seal, WeatherPack				

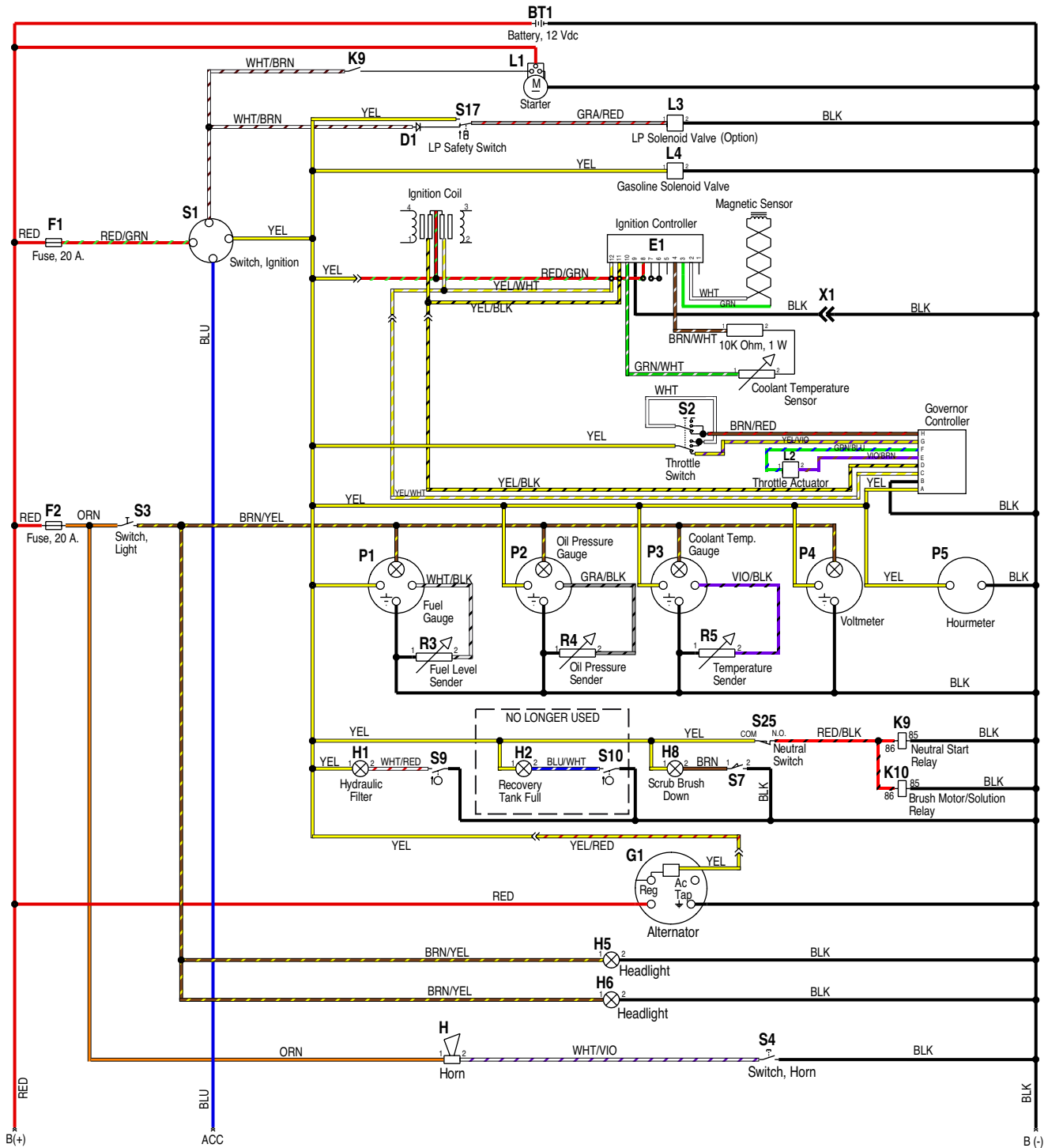
* = Not Shown



99-6	WIRING DIAGRAM (before SN 1361293)	BOOK E		
02-5	Hydro-Retriever™ 2052G/P / CR 1300G/P	E	9.6.1	71

Item	Ref. No.	Qty	Description	Item	Ref. No.	Qty	Description
	56455231	1	Barber Colman Governor (propane only after SN1563013)	M2	56459262	1	Pump Motor Hydro-Max™ II
	56455029	1	Controller, Rotary (gas after SN1563013)	R2	56462369	1	68 Ω Resistor
	56462055	1	Starter Motor	S1	56478640	1	Key Switch
	56462915	1	Module W/Harness TSB 749	S2	56455820	1	Throttle Switch
	56462868	1	Starter Assembly	S3	56262551	1	Headlight Switch
	56462887	1	Ignition Coil TSB 782	S4	56441555	1	Horn Switch
	56463859	1	Ignition Coil TSB 782	S5	56262551	1	Squeegee Up-Down Switch
	56463575	1	Spark Plug Wire Set TSB 782	S6	56462362	1	Reverse Switch
	56463854	1	Spark Plug Wire Set TSB 782	S7	56388019	1	Brush Switch
	56452257	1	Alternator Group 51A	S12	56459260	1	Low Chemical Switch Hydro-Max™ II
	56455567	1	Fuel Level Sender	S13	56262551	1	Recycle Switch Hydro-Max™ II
	56478363	1	Hour Meter	S14	56388167	1	Start Switch Hydro-Max™ II
	56478698	1	Oil Pressure Sender	S15	56388167	1	Stop Switch Hydro-Max™ II
	56481888	1	Coolant Temperature Sender	S16	56459260	1	Stop Switch Hydro-Max™ II
	56482044	1	Volt Meter	S17	56493146	1	Safety Switch, LP
	56489592	1	Oil Pressure Gauge	S18	56455403	1	Side Skirt Switch
	56489598	1	Fuel Gauge	S20	56462075	1	Brush Motor Bypass Switch
	56489600	1	Coolant Temperature Gauge	S21	56262551	1	Solution Switch
D	56493063	1	Diode, LP	S22	56460005	1	Switch, Neutral Safety (2052 after SN1301552 & all CR1300)
F1	56900755	1	20A Fuse				
F2	56900755	1	20A Fuse	*		1	Battery, 12Vdc
F4	56900229	1	10A Fuse Hydro-Max™ II	*	56455372	1	Harness, Main Wiring
H	56442054	1	Horn	*	56455811	1	Harness, Engine Wiring (2052 before SN1301553)
H1	56456544	1	Hydraulic Filter Indicator Light				
H4	56456544	1	Low Chemical Light Hydro-Max™ II	*	56460004	1	Harness, Engine Wiring (2052 after SN1301552 & all CR1300)
H5	56454528	1	Headlight				
H6	56454528	1	Headlight				
H7	56482463	1	Beacon TSB 743				
H8	56456464	1	Brush Indicator Light				
K3	56457888	1	Pump Relay Hydro-Max™ II				
L1	56462869	1	Starter Solenoid				
L2	56455822	1	Throttle Actuator (propane only after SN1563013)				
L3	56456626	1	Solenoid Valve, LP				
L4		1	Solenoid Valve, Gas				
L5	56459481	1	Solution Solenoid Valve				
L6	56459482	1	Brush Motor Bypass Solenoid				
L7	56459236	1	Squeegee Solenoid Valve				
L8	56459236	1	Side Skirt Solenoid Valve				

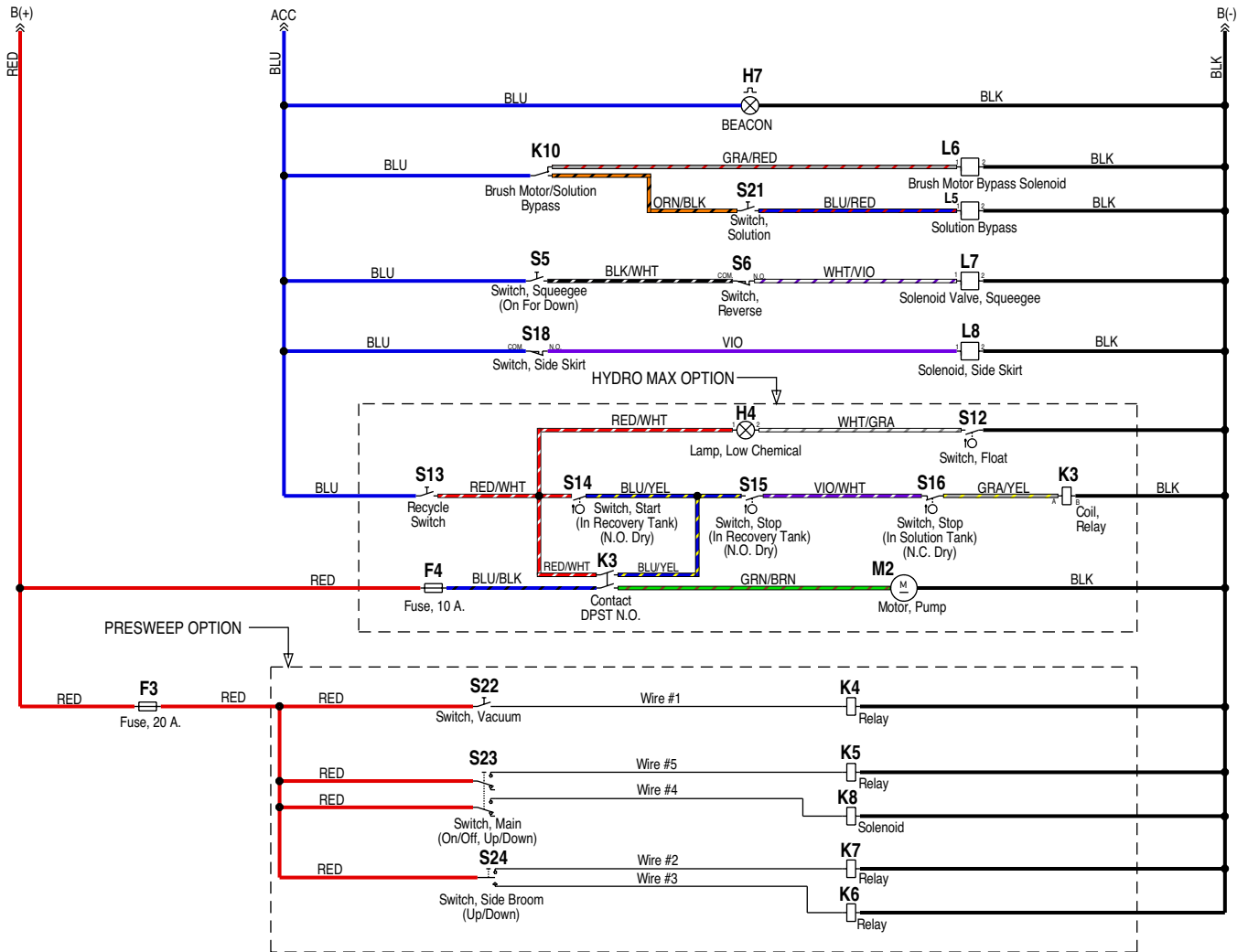
* = Not Shown



99-6	WIRING DIAGRAM (after SN 1361292)	BOOK E		
02-5	Hydro-Retriever™ 2052G/P / CR 1300G/P	E	9.6.1	73

Item	Ref. No.	Qty	Description
	56455231	1	Barber Colman Governor (propane only after SN1563013)
	56455029	1	Controller, Rotary (gas after SN1563013)
	56462055	1	Starter Motor
	56462868	1	Starter Assembly
	56462887	1	Ignition Coil TSB 782
	56463859	1	Ignition Coil TSB 782
	56463575	1	Spark Plug Wire Set TSB 782
	56463854	1	Spark Plug Wire Set TSB 782
	56481888	1	Coolant Temperature Sender
BT1	56441511	1	Battery, 12Vdc
D1	56493063	1	Diode, LP
E1	56462915	1	Module W/Harness TSB 749
F1	56900755	1	20A Fuse
F2	56900755	1	20A Fuse
G1	56452257	1	Alternator Group 51A
H	56442054	1	Horn
H1	56456544	1	Hydraulic Filter Indicator Light
H5	56454528	1	Headlight
H6	56454528	1	Headlight
H8	56456464	1	Brush Indicator Light
K9	56418387	1	Neutral Start Relay
K10	56418387	1	Brush Motor/Solution Relay
L1	56462869	1	Starter Solenoid
L2	56455822	1	Throttle Actuator (propane only after SN1563013)
L3	56456626	1	Solenoid Valve, LP
L5	56459481	1	Solution Bypass Solenoid
L8	56459236	1	Side Skirt Solenoid Valve
P1	56489598	1	Fuel Gauge
P2	56489592	1	Oil Pressure Gauge
P3	56489600	1	Coolant Temperature Gauge
P4	56482044	1	Volt Meter
P5	56478363	1	Hour Meter
R2	56462369	1	68 Ω Resistor
R3	56455567	1	Fuel Level Sender
R4	56478698	1	Oil Pressure Sender
S1	56478640	1	Key Switch
S2	56455820	1	Throttle Switch
S3	56262551	1	Headlight Switch
S4	56441555	1	Horn Switch
S7	56388019	1	Brush Switch
S17	56493146	1	Safety Switch, LP
S25	56460005	1	Switch, Neutral Safety
*	56455372	1	Harness, Main Wiring
*	56460004	1	Harness, Engine Wiring
*	56460023	1	Harness, Bypass

* = Not Shown



99-6	WIRING DIAGRAM (after SN 1361292) Cont.	BOOK E		
01-1	Hydro-Retriever™ 2052G/P / CR 1300G/P	E	9.6.1	75

Item	Ref. No.	Qty	Description
F3	56900755	1	20A Fuse
F4	56900229	1	10A Fuse Hydro-Max II
H4	56456544	1	Low Chemical Light Hydro-Max II
H7	56482463	1	Beacon TSB 743
K3	56457888	1	Pump Relay Hydro-Max II
K4	56491862	1	Relay
K5	56491862	1	Relay
K6	56491862	1	Relay
K7	56491862	1	Relay
K8	56459567	1	Solenoid
K10	56418387	1	Brush Motor/Solution Relay
L1	56462869	1	Starter Solenoid
L5	56459481	1	Solution Solenoid Valve
L6	56459482	1	Brush Motor Bypass Solenoid
L7	56459236	1	Squeegee Solenoid Valve
L8	56459236	1	Side Skirt Solenoid Valve
M2	56459262	1	Pump Motor Hydro-Max II
S5	56262551	1	Squeegee Up-Down Switch
S6	56462362	1	Reverse Switch
S12	56459260	1	Low Chemical Switch Hydro-Max II
S13	56262551	1	Recycle Switch Hydro-Max II
S14	56388167	1	Start Switch Hydro-Max II
S15	56388167	1	Stop Switch Hydro-Max II
S16	56459260	1	Stop Switch Hydro-Max II
S18	56455403	1	Side Skirt Switch
S21	56262551	1	Solution Switch
S22	56393312	1	Vacuum Switch
S23	56393312	1	Main Switch (On/Off, Up/Down)
S24	56324272	1	Side Broom Switch (Up/Down)
*	56455372	1	Harness, Main Wiring
*	56460004	1	Harness, Engine Wiring

* = Not Shown



6 Double Row

Main Broom: PN56505001 Polypropylene (STD.)

Good all-purpose broom for hard floor, resists moisture.

Length..... 36" (91.44 cm)

Diameter..... 11.5" (29.21 cm)

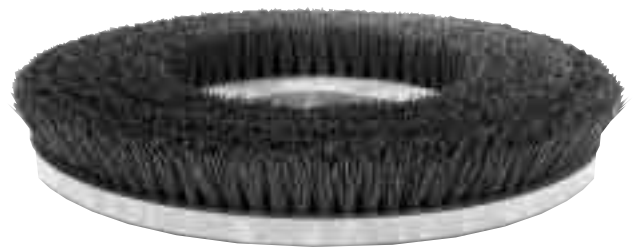
PN56505617 Proex (Optional)

Designed to pick up paper, gravel, sand and other lighter, less bulky litter.

We supply brushes and pad holders that will give you the best possible performance between machine and floor. Following are descriptions of the materials and their applications when used on the CR 1300.

- Union Mix:** Medium grade natural fibers for polishing finished floors with standard-speed equipment. Recommended for use in place of white pads.
- ProLite:** Bristles are made from light-duty polypropylene for general scrubbing when you do not want to scratch or remove finish from the floor. Recommended for use in place of red pads.
- Prolene:** Polypropylene material for medium-duty scrubbing on concrete, terrazzo and vinyl floor tile. Recommended for use in place of green or blue pads.
- Magna Grit:** For extreme heavy-duty scrubbing or stripping of floors. This brush has extra large diameter silicon carbide grit impregnated synthetic bristles. Recommended for use in place of black pads.
- Dyna Grit:** For aggressive, heavy-duty scrubbing or stripping of floors. Recommended for use in place of brown pads.
- MidLite Grit:** For general purpose scrubbing of sealed or unsealed concrete, stone, terrazzo, quarry tile and other resilient hard floor surfaces. Recommended for use in place of green or blue pads.
- MidGrit:** For general purpose scrubbing when you need a lighter action for sealed or unsealed concrete, stone, terrazzo, quarry tile and other resilient hard floor surfaces. Recommended for use in place of green or blue pads.
- AgLite Grit:** For light scrubbing when used wet; buffing or polishing when used dry on urethane coated, sealed concrete or other resilient hard surface floors. Recommended for use in place of red or white pads.
- Short Trim Pad Holder:** Made with a structural foam block and center ring for correct pad centering. It has a "shower feed" design for getting solution to the floor.

- Ref. No.: 56505766 - Union Mix
 56505764 - Prolene
 56505762 - Dyna Grit
 56505767 - MidGrit
 56505760 - Short Trim Pad Holder
 56505765 - ProLite
 56505761 - Magna Grit
 56505768 - MidLite Grit
 56505763 - AgLite Grit



Austria (Sales Sub)

Nilfisk-Advance GmbH	Phone: +43
Voralberger Allee 46	1616 58 30 22
A-1230 Wien	Fax: +43
info@nilfisk-advance.at	1616 58 30 40
www.nilfisk-advance.at	

Belgium (Sales Sub)

Nilfisk-Advance NV/SA	Phone: +32
Doornveld Sphere Business Park	(0)2467 60 50
Industrie Asse 3, No. 11	Fax: +32
B-1731 Zellik-Asse	(0)2463 44 16
www.nilfisk-advance.be	

Czech Republic (Sales Sub)

Nilfisk-Advance s.r.o.	Phone: +420
Lysinská 44/1863	2 44 09 09 12
143 00 Praha - Modrany	+420
Czech Republic	2 44 09 09 21 4
	Fax: +420
	2 44 40 23 93

Denmark

Nilfisk-Advance A/S	Phone: +45
Sognevej 25	43 23 81 00
DK-2605 Brøndby	Fax: +45
mail@nilfisk-advance.dk	43 43 77 00
www.nilfisk-advance.com	

Denmark (Prod. Sub)

Gerni A/S	Phone: +45
Myntevej 2	89 12 22 00
DK-8900 Randers	Fax: +45
www.gerni.com	86 43 14 81

Denmark (Sales Sub)

Nilfisk-Advance Nordic A/S	Phone: +45
Sognevej 25A	43 23 40 50
Postbox 344	Fax: +45
DK-2605 Brøndby	43 23 40 60
kundeservice@nilfisk-advance.dk	
www.nilfisk-advance.dk	

France (Sales Sub)

Nilfisk-Advance S.A.	Phone: +33
27 avenue de la Baltique	1695 98 700
Villebon sur Yvette	Fax: +33
P.B. 246	1695 98 701
F-91944 Courtaboeuf Cedex	
info@nilfisk-advance.fr	
www.nilfisk-advance.fr	

Germany (Sales Sub)

Nilfisk-Advance AG	Phone: +49
Siemensstrasse 25-27	4101 3990
Postfach 1361	Fax: +49
D-25462 Rellingen	4101 39 91 91
info@nilfisk-advance.de	
www.nilfisk-advance.de	

Greece (Sales Sub)

Nilfisk-Advance A.E.	Tel.: +30
8, Thoukididou Str.	210 963 3443
Argioupoli	Fax: +30
Gr - 164 52 Athens	210 965 0975
Greece	

Holland (Sales Sub)

Nilfisk-Advance B.V.	Phone: +31
Camerastraat 9 (2e verdieping)	36 546 07 00
1322 BB Almere	Fax: +31
Postbus 60112	36 523 51 48
1320 AC Almere	
www.nilfisk-advance.nl	

Ireland (Sales Sub)

Nilfisk-Advance Limited	Phone: +35
28 Sandyford Office Park	3 12 94 38 38
Sandyford, Dublin 18	Fax: +35
Ireland	3 12 94 38 45

Italy (Prod & Sales Sub)

CFM SpA	Phone: +39
Nilfisk-Advance Div. Guardamiglio	0377 /414021
Localita Novella III	/45 1124
I-26862 Guardamiglio (Mi)	Fax: +39
	0377 51 443

Italy (Prod & Sales Sub)

CFM S.p.A.	Phone: +39
Via Porrettana 1991	059 973 0000
I-41059 Zocca (Modena)	Fax: +39
cfm@cfm.it	059 973 0099

Norway (Sales Sub)

Nilfisk-Advance AS	Phone: +47
Ulvenveien 89C	23 06 75 00
N-0581 Oslo	Fax: +47
	23 06 75 01

Poland (Sales Sub)

Nilfisk-Advance Sp.Z.O.O.	Phone: +48
05-800 Pruszków	22 738 37 50
ul. 3-go MAJA 8	Fax: +48
Poland	22 738 37 51

Portugal (Sales Sub)

Nilfisk-Advance, Lda.	Phone: +35
Sintra Business Park	121 911 2670
Zona Industrial Da Abrunheira	Fax: +35
Edificio 1, 1o A	121 911 2679
P-2710-089 Sintra	

Russia (Sales Sub)

Nilfisk-Advance LLC	Phone: 7
Vyatskaya str. 27, bld. 7	095 783 9602
127015 Moscow	Fax: +7
Russia	095 783 9603

Spain (Sales Sub)

Nilfisk-Advance S.A.	Phone: +34
Torre D'Ara	93 741 2400
Passeig del Rengle, 5 Pl.10	Fax: +34
E-08302 Mataró (Barcelona)	93 757 8020
nilfisk@nilfisk-advance.es	

Sweden (Sales Sub)

Nilfisk -Advance A/S	Phone: +46
Sjöbjörnsvägen 5	8555 94400
Box 44045	Fax: +46
S-100 73 Stockholm	8555 94430
info@nilfisk-advance.se	
www.nilfisk-advance.se	

Sweden (Prod.)

Nilfisk-Advance A/S Phone: +46
Åmål Branch 5321 7500
Strömsbergsgatan Fax: +46
Box 127 5321 7595
S-662 23 Åmål

Switzerland (Sales Sub)

Nilfisk-Advance AG Phone: +41
Ringsstrasse 19 71 92 38 444
Kirchberg/Industrie Stelzl Fax: +41
CH-9500 Wil 71 92 35 283
www.nilfisk-advance.ch

UK (Sales Sub)

Nilfisk-Advance Limited Phone: +44
Newmarket Road 1284 763163
Bury St. Edmunds Fax: +44
UK-Suffolk IP33 3SR 1284 750 562

USA (Prod.)

Nilfisk-Advance Inc. Phone: +1 763
14600 21.st Avenue North 745 3500
Plymouth, MN 55447-3408 Fax: +1 763
www.mn.nilfisk-advance.com 745 3718

USA (Sales Sub)

Nilfisk-Advance America Inc. Phone: +1 610
300 Technology Drive 647 6420
Malvern, PA 19355 Fax: +1 610
www.pa.nilfisk-advance.com 647 6427

Canada (Sales Sub)

Nilfisk-Advance Canada Comp. Phone: +1 905
396 Watline Avenue 712 3260
Mississauga, Ontario L4Z 1X2 Fax: +1 905
712 3255

Australia (Sales Sub)

Nilfisk-Advance Pty. Ltd. Phone: +61(0)2
48 Egerton Street 9648 2700
Silverwater, NSW 2128 Fax: +61(0)2
Postal adresse: 9648 2711
PO Box 6046
Silverwater. NSW 1811
info@nilfisk-advance.com.au
www.nilfisk-advance.com.au

China (Shenzhen)

Nilfisk-Advance (Shenzhen) Ltd Phone: +86 755
Blok 3, Unit 130, 1001 Honghua Road 8359 7937 el.
Int. Commercial & Trade Center 8359 7939-42
Fuitian Free Trade Zone Fax: +86 755
518038 **Shenzhen** 8359 1063
P.R. China

China (Suzhou)

Nilfisk-Advance Professional Phone: +86 512
Cleaning Equipment (Suzhou) Co. Ltd. 8918 5656
306 Su Hong Zhong Road, Build. 2 Fax: +86 512
Suzhou Industrial Park 8918 5666
215021 **Suzhou**
P.R. China

Hong Kong (Sales Sub)

Nilfisk-Advance Ltd. Phone: +852
2001 HK Worsted Mills Ind'l Bldg., 2427 5951
31-39 Wo Tong Tsui St. Fax: +852
Kwai Chung, Hong Kong 2487 5828

Japan (Sales Sub)

Nilfisk-Advance Inc. Phone: +8145
3-17-40-101 Chigasaki Higashi 942 7741
Tsuzuki-ku, Yokohama 224-0033 Fax: +8145
Japan 942 6545

Malaysia (Sales Sub)

Nilfisk-Advance Sdn Bhd Phone: +60 3
No. 21, Jalan SS 25/41 7956 8188
Mayang Industrial Park Fax: +60 3
47301 Petaling Jaya 7966 6828
Selangor, Malaysia

New Zealand (Sales Sub)

Nilfisk-Advance Limited Phone: +64(0)9
Danish House 525 0092
6 Rockridge Avenue Fax: +64(0)9
Penrose 92-829 525 6440
Auckland1135
Postal adresse:
Private Bag 92 825
Auckland
New Zealand

Singapore (Sales Sub)

Nilfisk-Advance Pte. Ltd. Phone: + 65
22,Woodlands Industrial Park E1 6 7599100
Singapore 757740 Fax: +65
sales@nilfisk-advance.com.sg 7599133

Taiwan, ROC (Sales Sub)

Nilfisk-Advance Ltd. Phone: +886
Taiwan Branch (H.K.) 2 2239 8812
1F, No. 193, Sec.2 Fax: +886
Xing Long Rd., Taipei 2 2239 8832
Taiwan, R.O.C.

Thailand (Sales Sub)

Nilfisk-Advance Co. Ltd. Phone: +66 2
89 Soi Chokechai-Ruammitr 275-5630
Viphavadee-Rangsit Road Fax: +66 2
Ladyao, Jatuchak, Bangkok 10900 691-4079
Thailand



www.nilfisk-advance.com

© 2004 Printed in USA