



Electronic Service Manuals

This electronic document is provided as a service to our customers. We do not create the contents of the information contained in this document. Should you have detailed questions pertaining to the information contained in this document, you may contact Michco, or the manufacturer which provided the original information in this electronic deliverable. Michco's only part in this electronic deliverable was the electronic assembly process.

You may contact Michco through the following methods:
Phone (517) 484-9312 or (800) 331-3339 MI, OH, IN only
2011 N. High St. -- Lansing, Michigan -- 48906
Fax: (517) 484-9836
Email: CustServ@Michco.com
Web site: www.Michco.Com
Parts Web site: www.FloorMachineParts.Com

Order Parts on Line at:
www.FloorMachineParts.Com

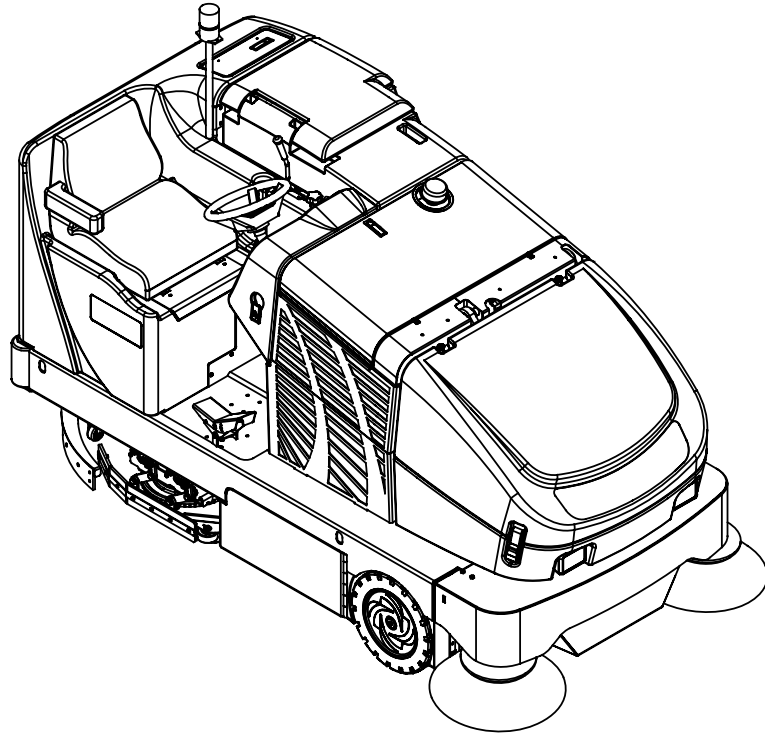
Directly to Parts & Service:
By Email: **Shop@Michco.com**
By Fax: (517) 702-2041
By Voice: Use numbers above.

Serving the Cleaning Industry Since 1922

Notice: All copyrighted material remains property of original owners, all trademarks are property of respective owners. Manuals are subject to Manufacturer's reproduction limitations. Originals or reproductions were provided by manufacturers through a request. We make no warranty as to the correctness of information provided in this document and you assume all risk.

Captor™ 4300, 4800, 5400

CR 1100, 1200, 1400



HYDRAULIC SYSTEM PARTS LIST

Advance MODELS 56304000, 56304001, 56304002, 56304003, 56304004, 56304005, 56304006, 56304007, 56304008

Nilfisk MODELS 56304009, 56304010, 56304011, 56304012, 56304013, 56304014, 56304015, 56304016, 56304017



**Nilfisk
Advance**

setting standards

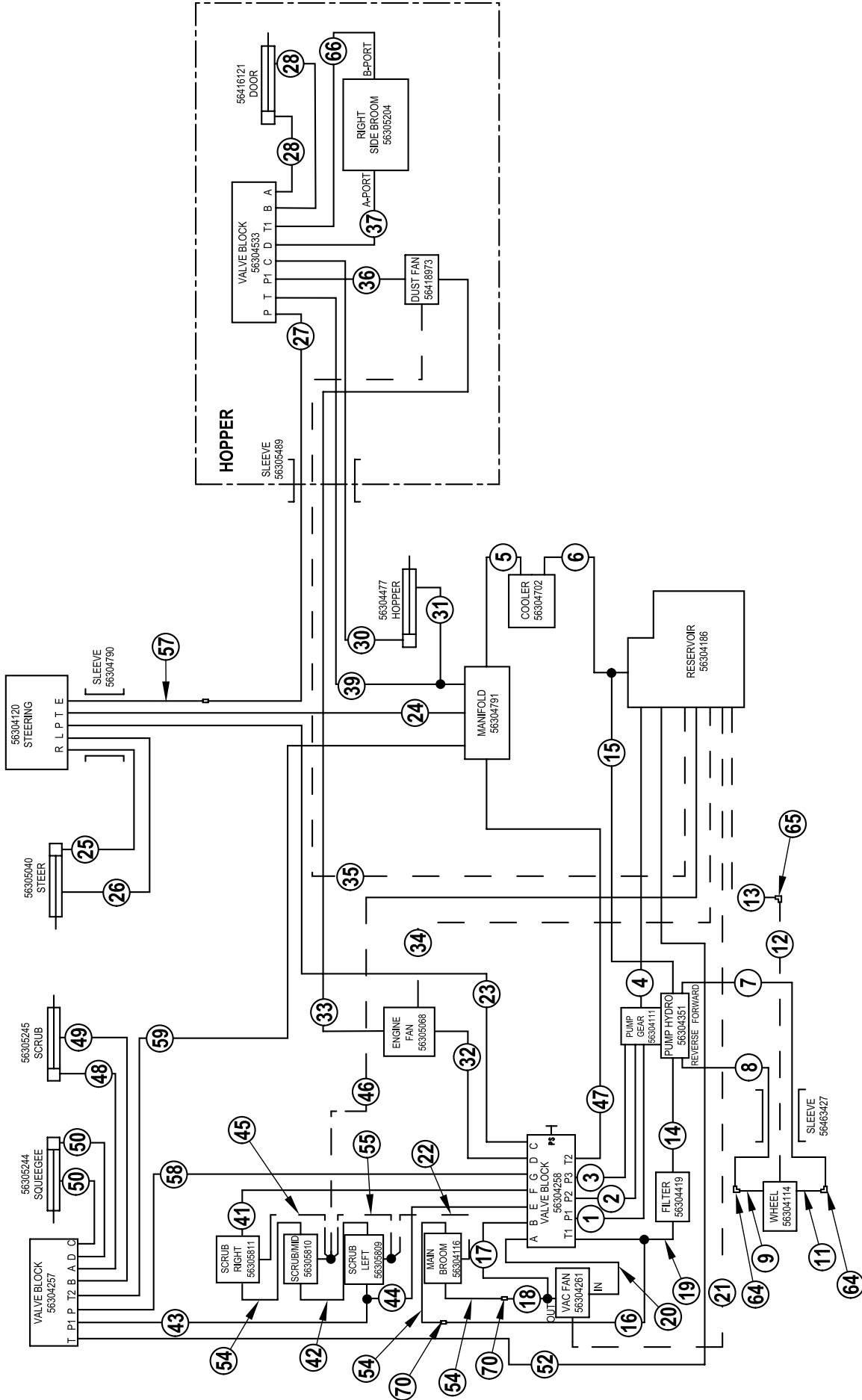
7/03 revised 3/05 FORM NO. 56042445
BOOK E SECTION 14.6.1

DESCRIPTION	PAGE
Hydraulic Schematic (43" Models)	E-14.6.1-3
Hydraulic Schematic (48" Models)	E-14.6.1-5
Hydraulic Schematic (54" Models)	E-14.6.1-7
Hydraulic Cylinder Assemblies	E-14.6.1-9
Hydraulic Motor Assemblies-Brooms/Wheel Drive	E-14.6.1-13
Hydraulic Motor Assemblies-Impeller/Fans	E-14.6.1-17
Hydraulic Motor Assemblies-Scrub 43"	E-14.6.1-21
Hydraulic Motor Assemblies-Scrub 48"	E-14.6.1-25
Hydraulic Motor Assemblies-Scrub 54"	E-14.6.1-29
Hydraulic Pump Assemblies	E-14.6.1-33
Hydraulic Reservoir Assembly	E-14.6.1-37
Oil Cooler / Filter Assemblies	E-14.6.1-41
Valve Block Assemblies	E-14.6.1-45
Hydraulic Schematic	E-14.6.1-48

WHEN ORDERING PARTS

- * Use the 8 digit numbers from the "Ref. No." columns in this parts list.
- * Specify the model and serial number of the machine.
- * Use the space below to record the model and serial number for future reference.

Model _____ Serial No. _____

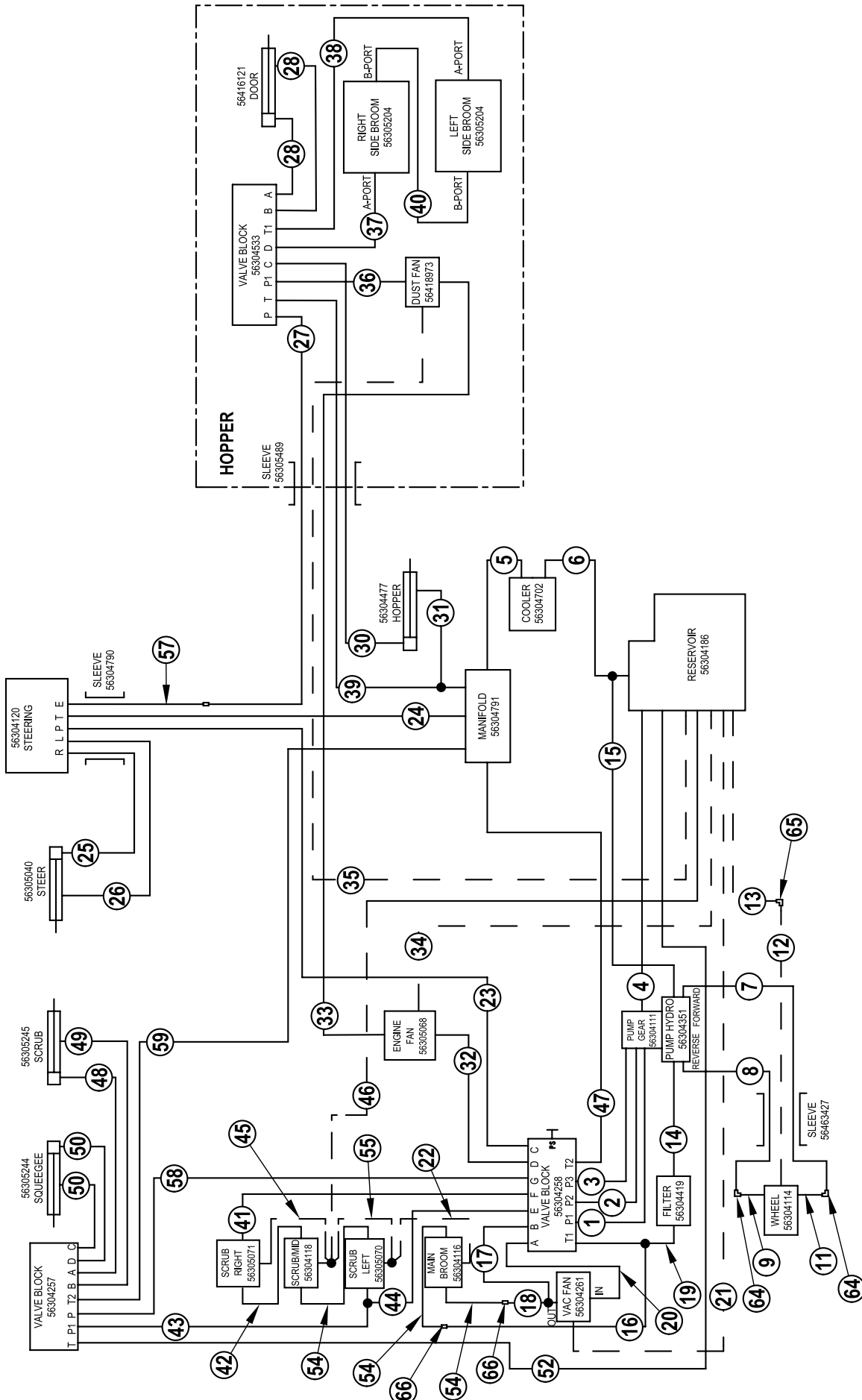


03-5	HYDRAULIC SCHEMATIC (43" MODEL)	BOOK E		
05-1	Captor™ 4300, 4800, 5400 / CR 1100, 1200, 1400	E	14.6.1	3

Item	Ref. No.	Qty	Description
------	----------	-----	-------------

1	56305130	1	Hose Assy
2	56305131	1	Hose Assy
3	56305132	1	Hose Assy
4	56305133	1	Hose Assy
5	56305134	1	Hose Assy
6	56305135	1	Hose Assy
7	56305498	1	Hose Assy
8	56305136	1	Hose Assy
9	56305137	1	Hose Assy
11	56305139	1	Hose Assy
12	56305140	1	Hose Assy
13	56305141	1	Hose Assy
14	56305142	1	Hose Assy
15	56305143	1	Hose Assy
16	56305144	1	Hose Assy
17	56305145	1	Hose Assy
18	56305146	1	Hose Assy
19	56305147	1	Hose Assy
20	56305148	1	Hose Assy
21	56305149	1	Hose Assy
22	56305150	1	Hose Assy
23	56305151	1	Hose Assy
24	56305152	1	Hose Assy
25	56305153	1	Hose Assy
26	56305154	1	Hose Assy
27	56305155	1	Hose Assy
28	56305156	2	Hose Assy
30	56305158	1	Hose Assy
31	56305159	1	Hose Assy
32	56305160	1	Hose Assy
33	56305161	1	Hose Assy
34	56305162	1	Hose Assy
35	56305163	1	Hose Assy
36	56305164	1	Hose Assy
37	56305165	1	Hose Assy
39	56305167	1	Hose Assy
41	56305169	1	Hose Assy
42	56305813	1	Hose Assy
43	56305171	1	Hose Assy
44	56305172	1	Hose Assy
45	56305173	1	Hose Assy
46	56305174	1	Hose Assy
47	56305175	1	Hose Assy
48	56305176	1	Hose Assy
49	56305177	1	Hose Assy
50	56305178	2	Hose Assy
52	56305180	1	Hose Assy
54	56305814	1	Hose Assy
55	56305182	1	Hose Assy
56	56305157	2	Hose Assy
57	56305138	1	Hose Assy
58	56305532	1	Hose Assy
59	56305533	1	Hose Assy
64	56900404	2	Elbow, 90 Bulkhead Union
65	56900401	1	Elbow, 90 Bulkhead Union
66	56305852	1	Hose Assy
67	56305024	8	P-Clamp (not shown)
68	56409463	1	P-Clamp (not shown)
69	56496276	1	P-Clamp (not shown)
70	56419064	2	Locknut, Bulkhead

NOTE: See Parts List Form Number 56042445 for illustrated breakdowns of each hydraulic sub-assembly.



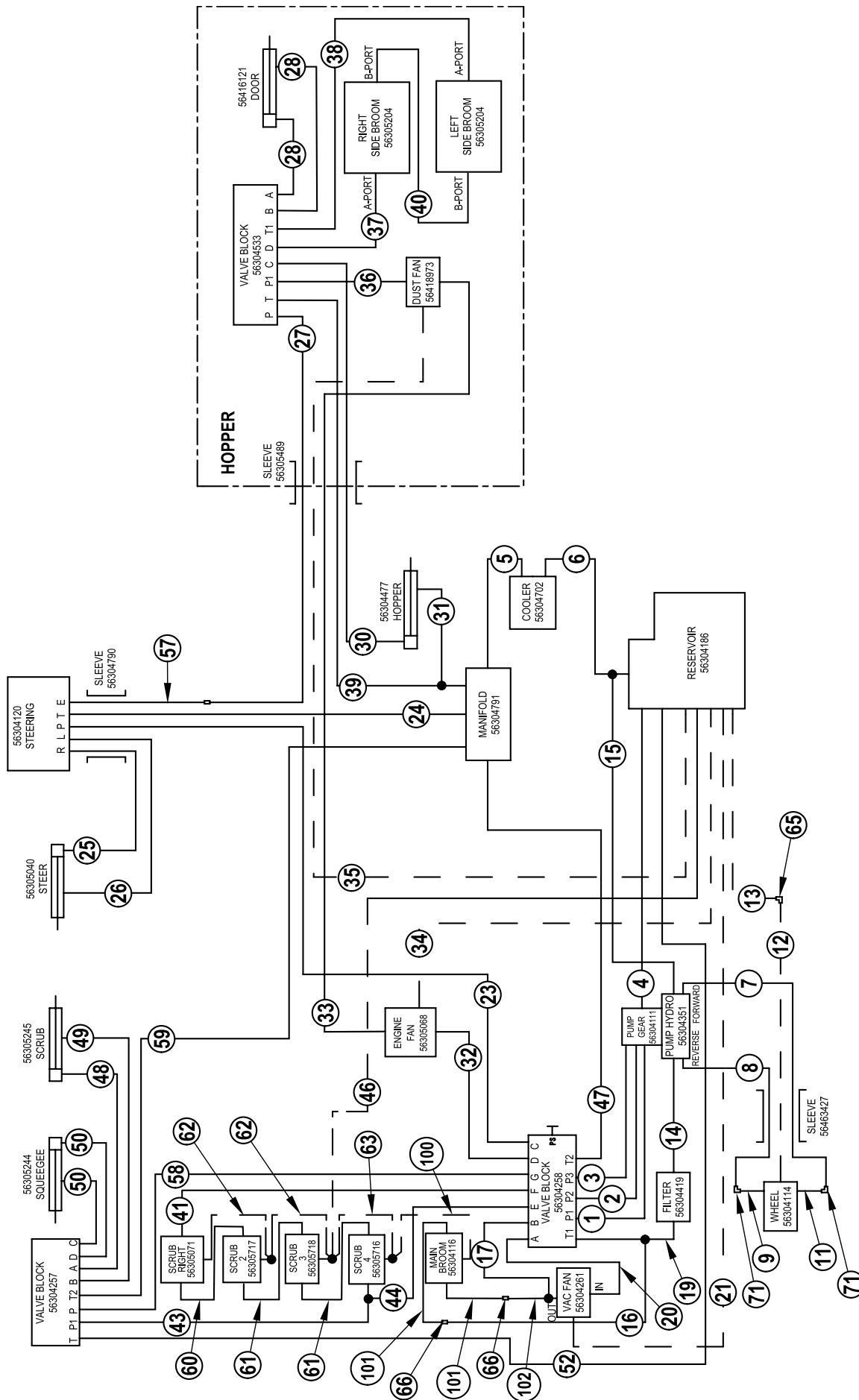
03-5	HYDRAULIC SCHEMATIC (48" MODELS)	BOOK E		
05-1	Captor™ 4300, 4800, 5400 / CR 1100, 1200, 1400	E	14.6.1	5

Item Ref. No. Qty Description

1	56305130	1	Hose Assy
2	56305131	1	Hose Assy
3	56305132	1	Hose Assy
4	56305133	1	Hose Assy
5	56305134	1	Hose Assy
6	56305135	1	Hose Assy
7	56305498	1	Hose Assy
8	56305136	1	Hose Assy
9	56305137	1	Hose Assy
11	56305139	1	Hose Assy
12	56305140	1	Hose Assy
13	56305141	1	Hose Assy
14	56305142	1	Hose Assy
15	56305143	1	Hose Assy
16	56305144	1	Hose Assy
17	56305145	1	Hose Assy
18	56305146	1	Hose Assy
19	56305147	1	Hose Assy
20	56305148	1	Hose Assy
21	56305149	1	Hose Assy
22	56305150	1	Hose Assy
23	56305151	1	Hose Assy
24	56305152	1	Hose Assy
25	56305153	1	Hose Assy
26	56305154	1	Hose Assy
27	56305155	1	Hose Assy
28	56305156	2	Hose Assy
30	56305158	1	Hose Assy
31	56305159	1	Hose Assy
32	56305160	1	Hose Assy
33	56305161	1	Hose Assy
34	56305162	1	Hose Assy
35	56305163	1	Hose Assy
36	56305164	1	Hose Assy
37	56305165	1	Hose Assy
38	56305166	1	Hose Assy
39	56305167	1	Hose Assy
40	56305168	1	Hose Assy
41	56305169	1	Hose Assy
42	56305170	1	Hose Assy
43	56305171	1	Hose Assy
44	56305172	1	Hose Assy
45	56305173	1	Hose Assy
46	56305174	1	Hose Assy
47	56305175	1	Hose Assy
48	56305176	1	Hose Assy
49	56305177	1	Hose Assy
50	56305178	2	Hose Assy
52	56305180	1	Hose Assy
54	56305181	3	Hose Assy
55	56305182	1	Hose Assy
57	56305138	1	Hose Assy
58	56305532	1	Hose Assy
59	56305533	1	Hose Assy
64	56900404	2	Elbow, 90 Bulkhead Union
65	56900401	1	Elbow, 90 Bulkhead Union
66	56419064	2	Locknut, Bulkhead
67	56305024	9	P-Clamp (not shown)
68	56409463	1	P-Clamp (not shown)
69	56496276	1	P-Clamp (not shown)

NOTE: See Parts List Form Number 56042445 for illustrated breakdowns of each hydraulic sub-assembly.

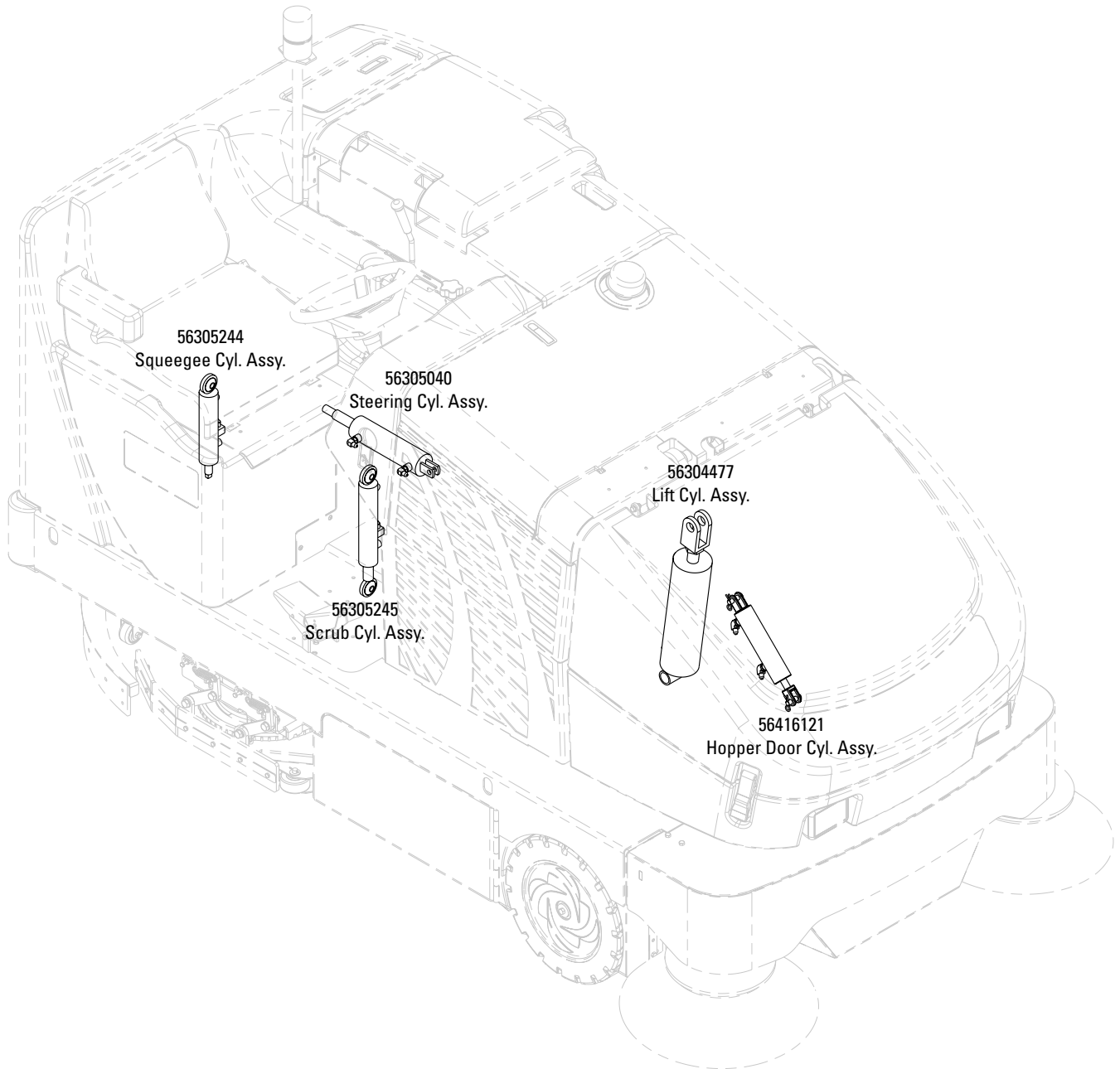
FORM NO. 56042445

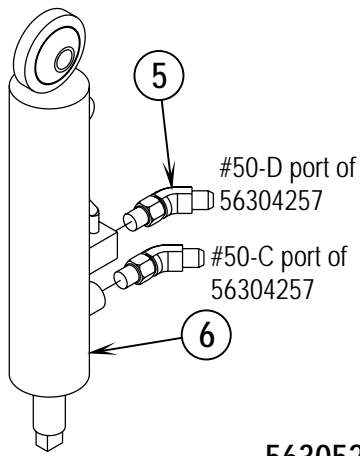


03-5	HYDRAULIC SCHEMATIC (54" MODELS)	BOOK E		
04-4	Captor™ 4300, 4800, 5400 / CR 1100, 1200, 1400	E	14.6.1	7

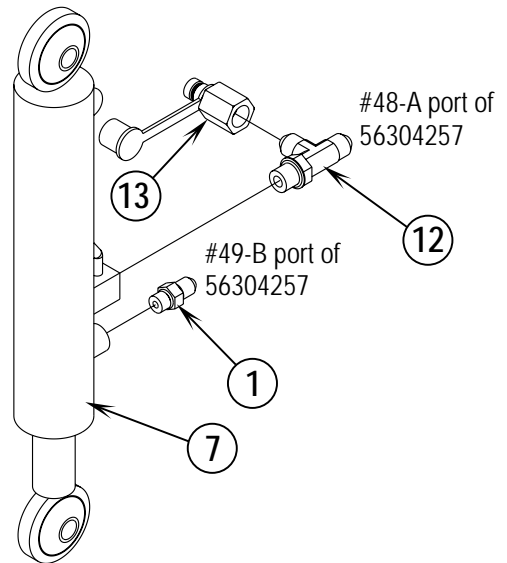
Item	Ref. No.	Qty	Description
1	56305130	1	Hose Assy
2	56305131	1	Hose Assy
3	56305132	1	Hose Assy
4	56305133	1	Hose Assy
5	56305134	1	Hose Assy
6	56305135	1	Hose Assy
7	56305498	1	Hose Assy
8	56305136	1	Hose Assy
9	56305137	1	Hose Assy
11	56305139	1	Hose Assy
12	56305140	1	Hose Assy
13	56305141	1	Hose Assy
14	56305142	1	Hose Assy
15	56305143	1	Hose Assy
16	56305144	1	Hose Assy
17	56305145	1	Hose Assy
19	56305147	1	Hose Assy
20	56305148	1	Hose Assy
21	56305149	1	Hose Assy
23	56305151	1	Hose Assy
24	56305152	1	Hose Assy
25	56305153	1	Hose Assy
26	56305154	1	Hose Assy
27	56305155	1	Hose Assy
28	56305156	2	Hose Assy
30	56305158	1	Hose Assy
31	56305159	1	Hose Assy
32	56305160	1	Hose Assy
33	56305161	1	Hose Assy
34	56305162	1	Hose Assy
35	56305163	1	Hose Assy
36	56305164	1	Hose Assy
37	56305165	1	Hose Assy
38	56305166	1	Hose Assy
39	56305167	1	Hose Assy
40	56305168	1	Hose Assy
41	56305169	1	Hose Assy
43	56305171	1	Hose Assy
44	56305172	1	Hose Assy
46	56305174	1	Hose Assy
47	56305175	1	Hose Assy
48	56305176	1	Hose Assy
49	56305177	1	Hose Assy
50	56305178	2	Hose Assy
52	56305180	1	Hose Assy
57	56305138	1	Hose Assy
58	56305532	1	Hose Assy
59	56305533	1	Hose Assy
60	56305673	1	Hose Assy
61	56305674	2	Hose Assy
62	56305675	2	Hose Assy
63	56305676	1	Hose Assy
65	56900401	1	Elbow, 90 Bulkhead Union
66	56419064	2	Locknut, Bulkhead
67	56305024	8	P-Clamp (not shown)
68	56409463	1	P-Clamp (not shown)
69	56496276	1	P-Clamp (not shown)
71	56900404	1	Elbow, 90 Bulkhead Union
100	56305925	1	Hose Assy
101	56305754	2	Hose Assy
102	56305936	1	Hose Assy

NOTE: See Parts List Form Number 56042445 for illustrated breakdowns of each hydraulic sub-assembly.

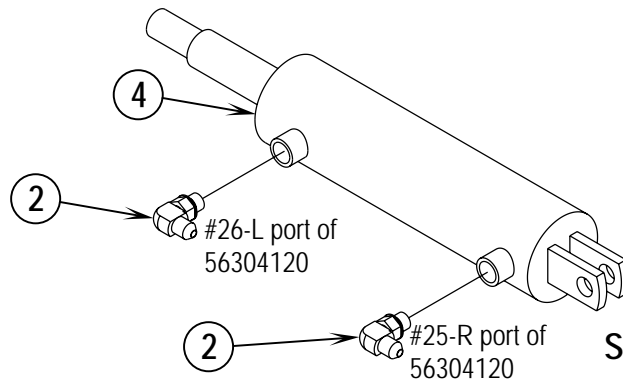




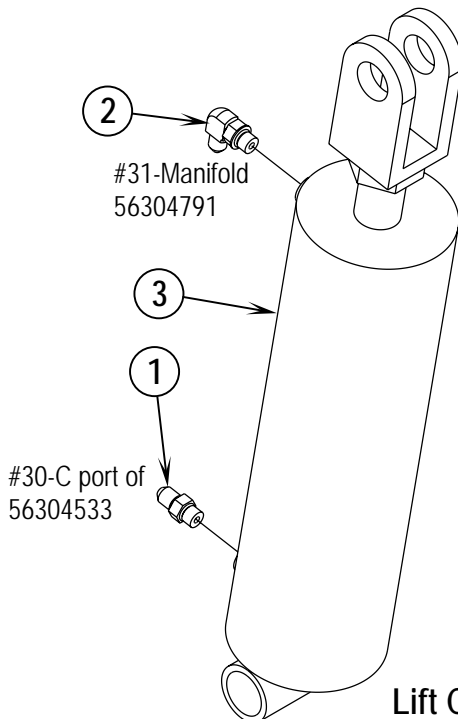
56305244 Squeegee Cylinder Assy



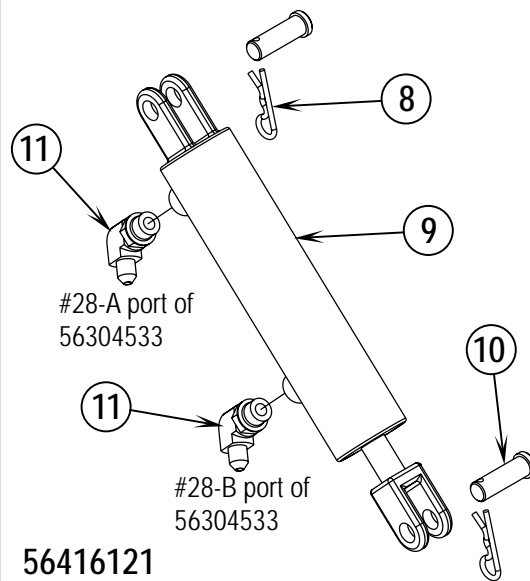
56305245 Scrub Cylinder Assy



56305040 Steering Cylinder Assy



56304477 Lift Cylinder Assy

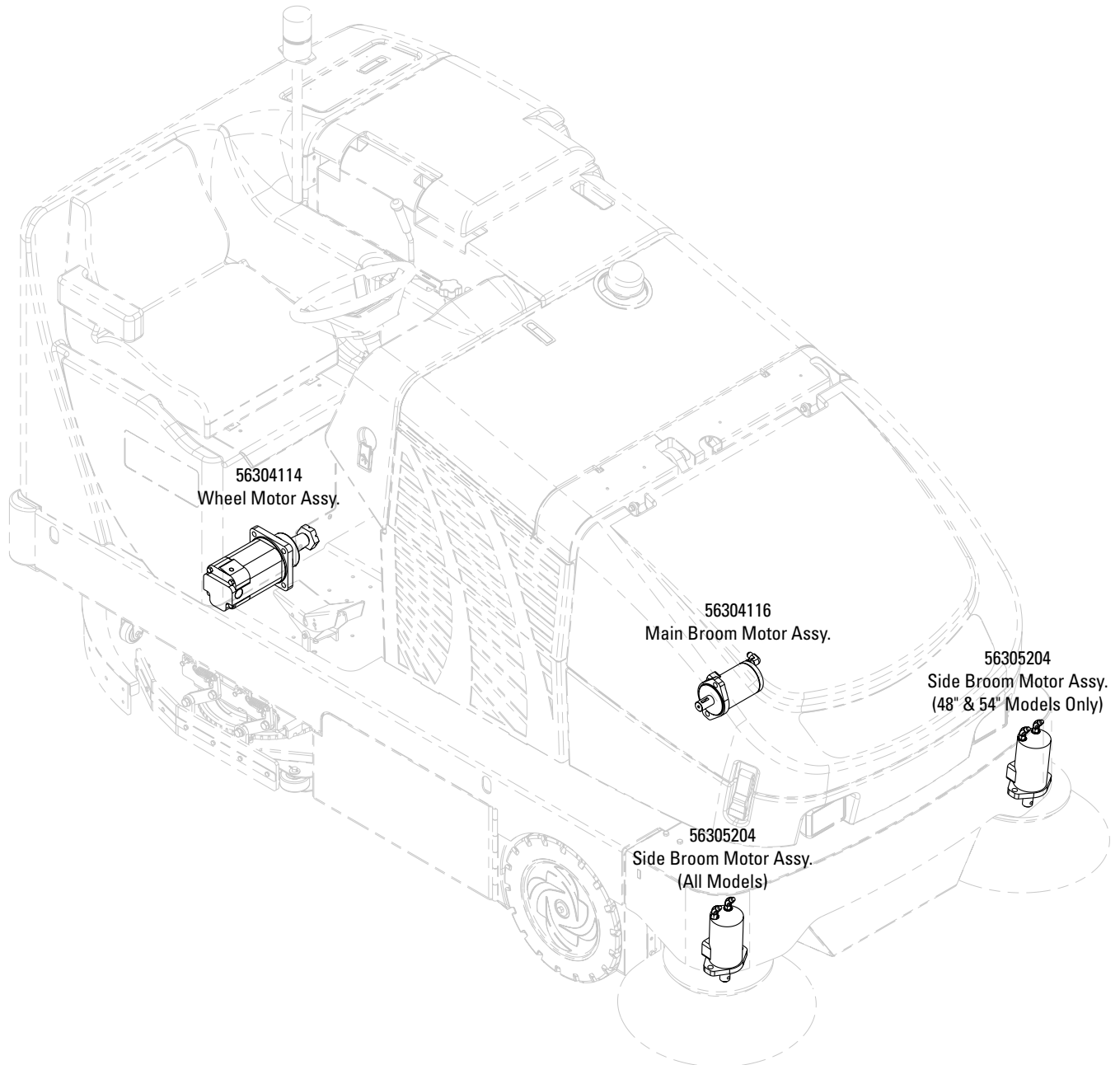


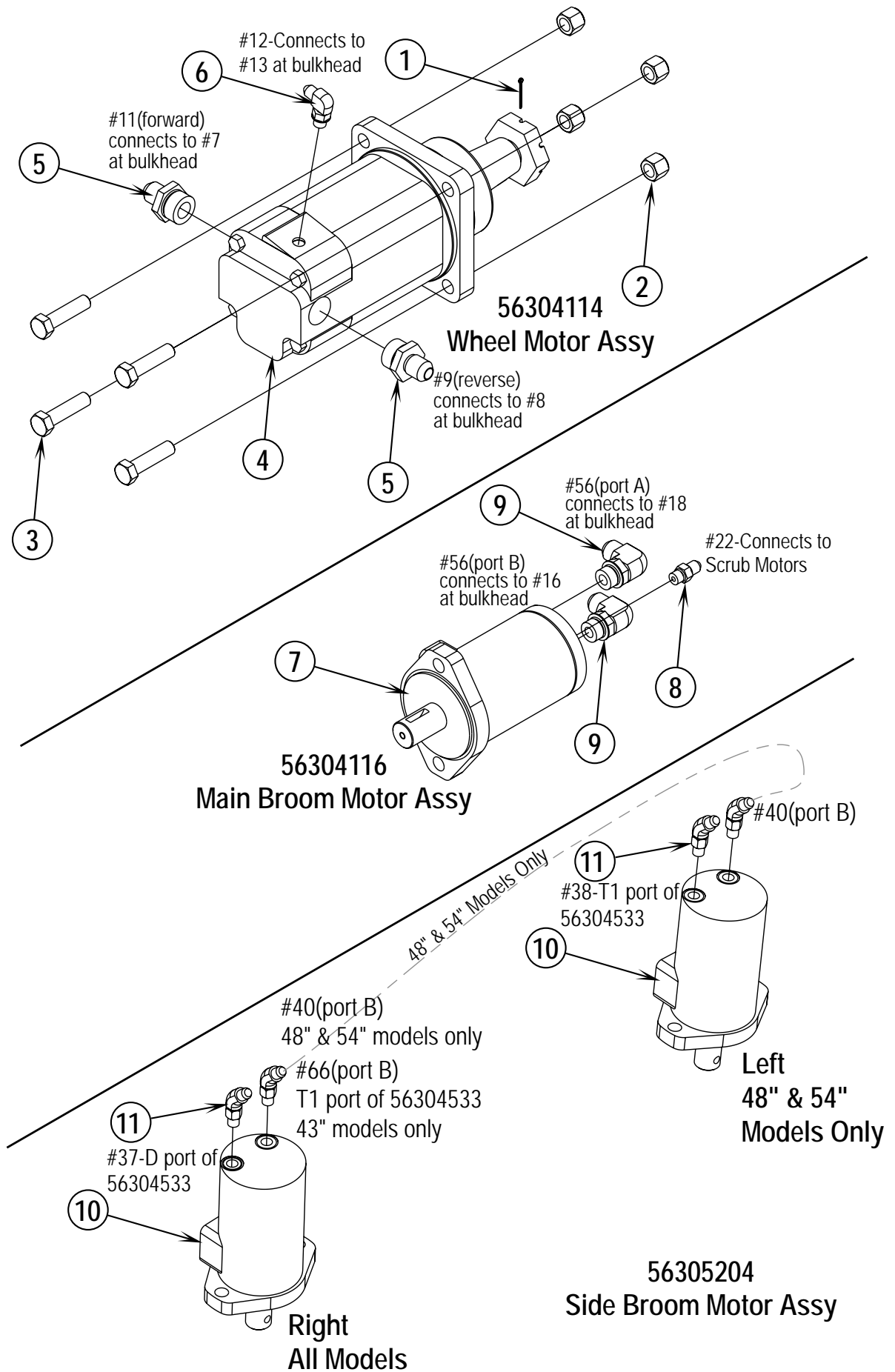
56416121 Hopper Door Cylinder Assy

03-5	HYDRAULIC CYLINDER ASSEMBLIES	BOOK E		
04-3	Captor™ 4300, 4800, 5400 / CR 1100, 1200, 1400	E	14.6.1	11

Item	Ref. No.	Qty	Description
	56304477	1	Lift Cylinder Assy
	56305040	1	Steering Cylinder Assy
	56305244	1	Squeegee Cylinder Assy
	56305245	1	Scrub Cylinder Assy
	56416121	1	Hopper Door Cylinder Assy
1	56900001	2	Connector, O-Ring
2	56900101	3	Elbow, 90 O-Ring
3	56304478	1	Cylinder, Hopper (Hopper Lift)
4	56304933	1	Cylinder, Hydraulic 2 x 6 (Steering)
5	56900151	2	Elbow, 45 O-Ring W/Nut
6	56304588	1	Cylinder, Hydraulic 1.5 x 6 (Squeegee)
7	56304603	1	Cylinder, Hydraulic 1.5 x 6 (Scrub Deck)
8	56002529	2	Pin, Cotter 1/8 x 1
9	56416202	1	Cylinder, Hydraulic (Hopper Door)
10	56486733	2	Pin
11	56900110	2	Elbow, 90 O-Ring
12	56900201	1	Tee, Rub O-Ring
13	56900906	1	Nipple, Test
			Steering Cylinder Assy Replacement Parts (56305040)
*	56488723	1	Seal Kit
			Squeegee Cylinder Assy Replacement Parts (56305244)
*	56305702	1	Seal Kit
			Scrub Cylinder Assy Replacement Parts (56305245)
*	56305703	1	Seal Kit
			Lift Cylinder Assy Replacement Parts (56304477)
*	56305704	1	Seal Kit

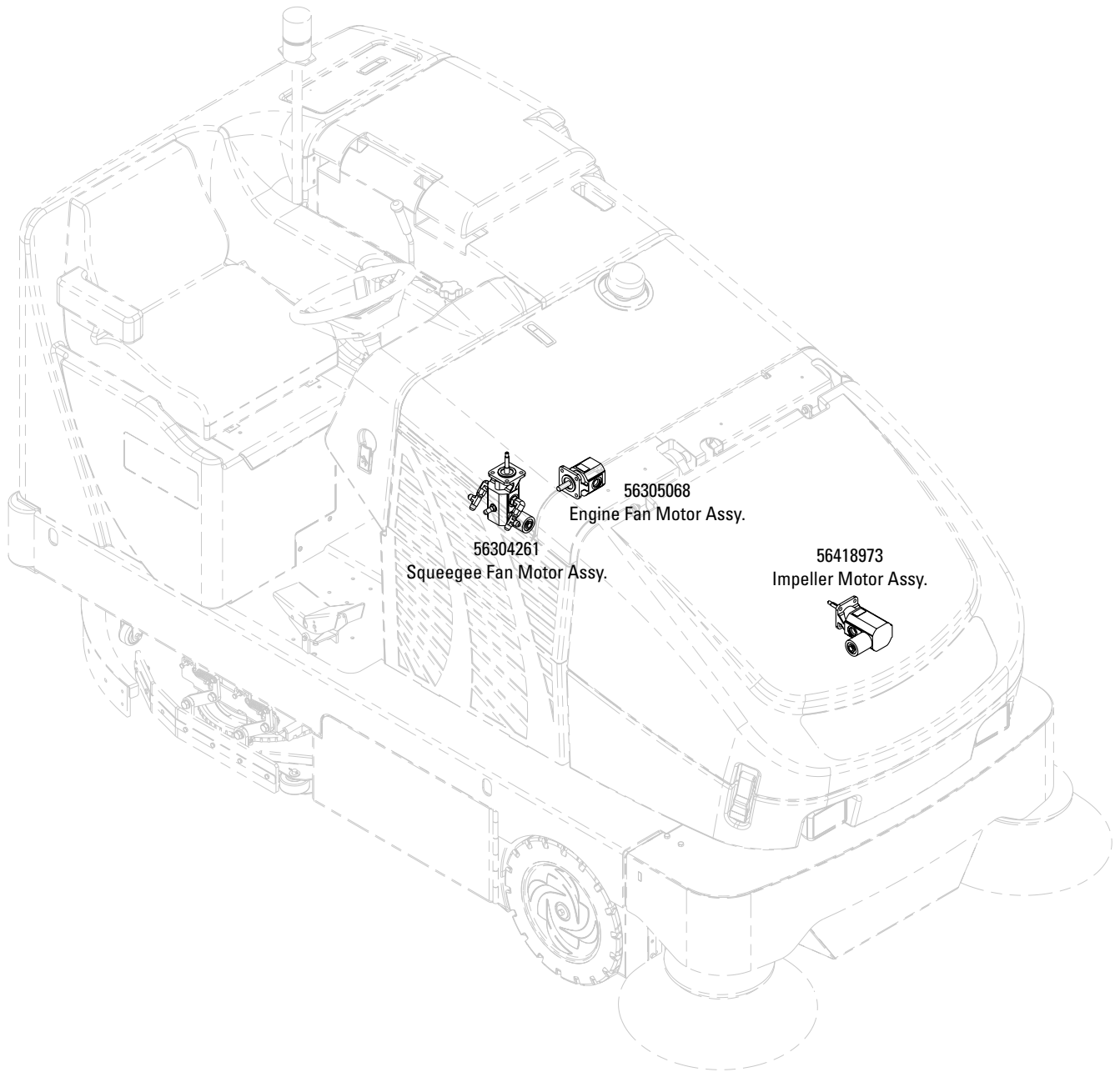
* = Not Shown

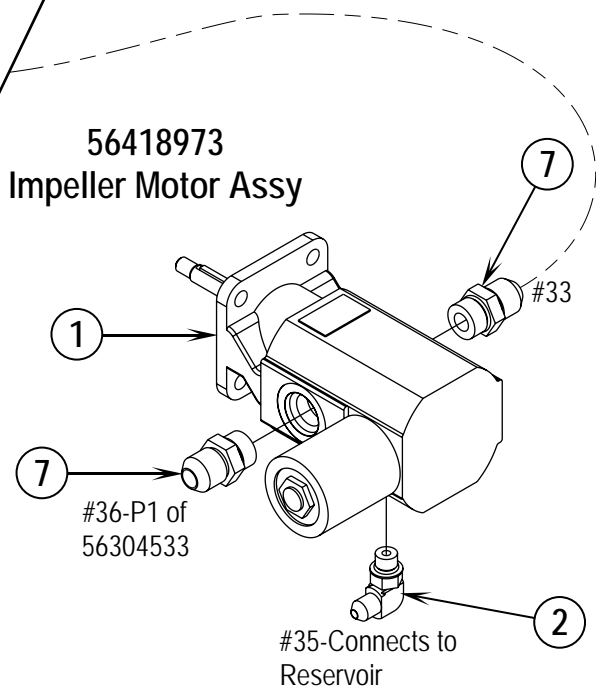
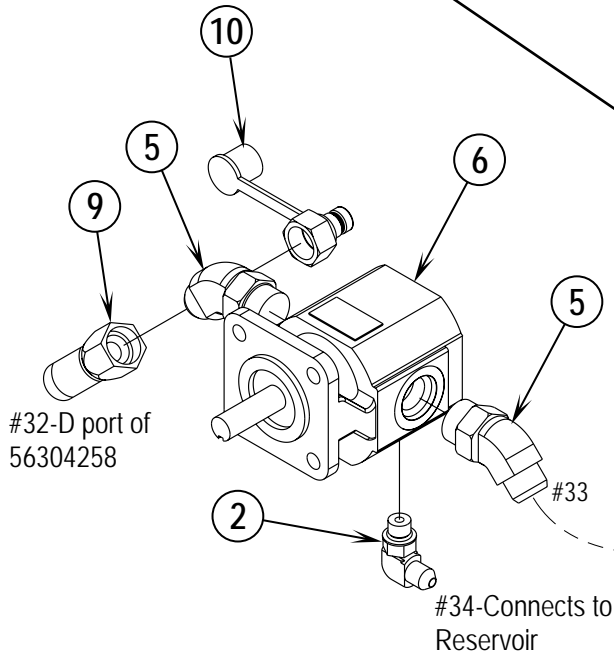
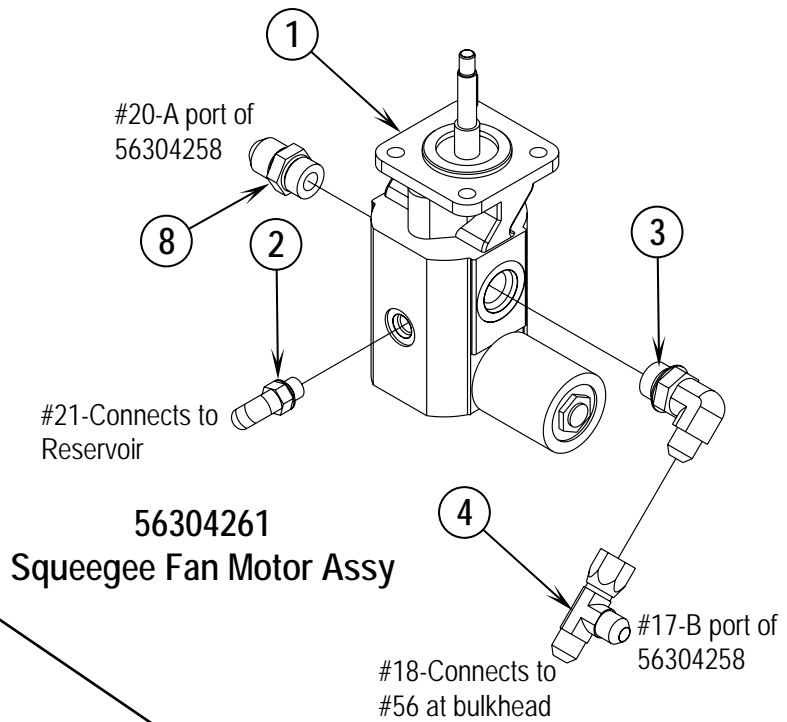




Item	Ref. No.	Qty	Description
	56304114	1	Wheel Motor Assy
	56304116	1	Main Broom Motor Assy
	56305204	2	Side Broom Motor Assy
1	56002181	1	Pin Cotter, 1/8 x 1/2
2	56002770	4	Nut, Hex Nyl Loc 1/2-13
3	56002983	4	Scr, Hex Hd 1/2-13 x 2.00
4	56304115	1	Wheel Motor
5	56900016	2	Connector, O-Ring
6	56900101	1	Elbow, 90 O-Ring
7	56304117	1	Motor, Hyd. (Main Broom)
8	56900001	1	Connector, O-Ring
9	56900112	2	Elbow, 90 O-Ring
10	56418976	2	Motor, Side Broom
11	56900162	4	Elbow, 45 O-Ring W/Nut
			Wheel Motor Replacement Parts (56304114)
*	56305358	1	Seal Kit
			Main Broom Motor Replacement Parts (56304116)
*	56479577	1	Seal Kit
			Side Broom Motor Replacement Parts (56305204)
*	56479577	1	Seal Kit (1 required per motor)

* = Not Shown

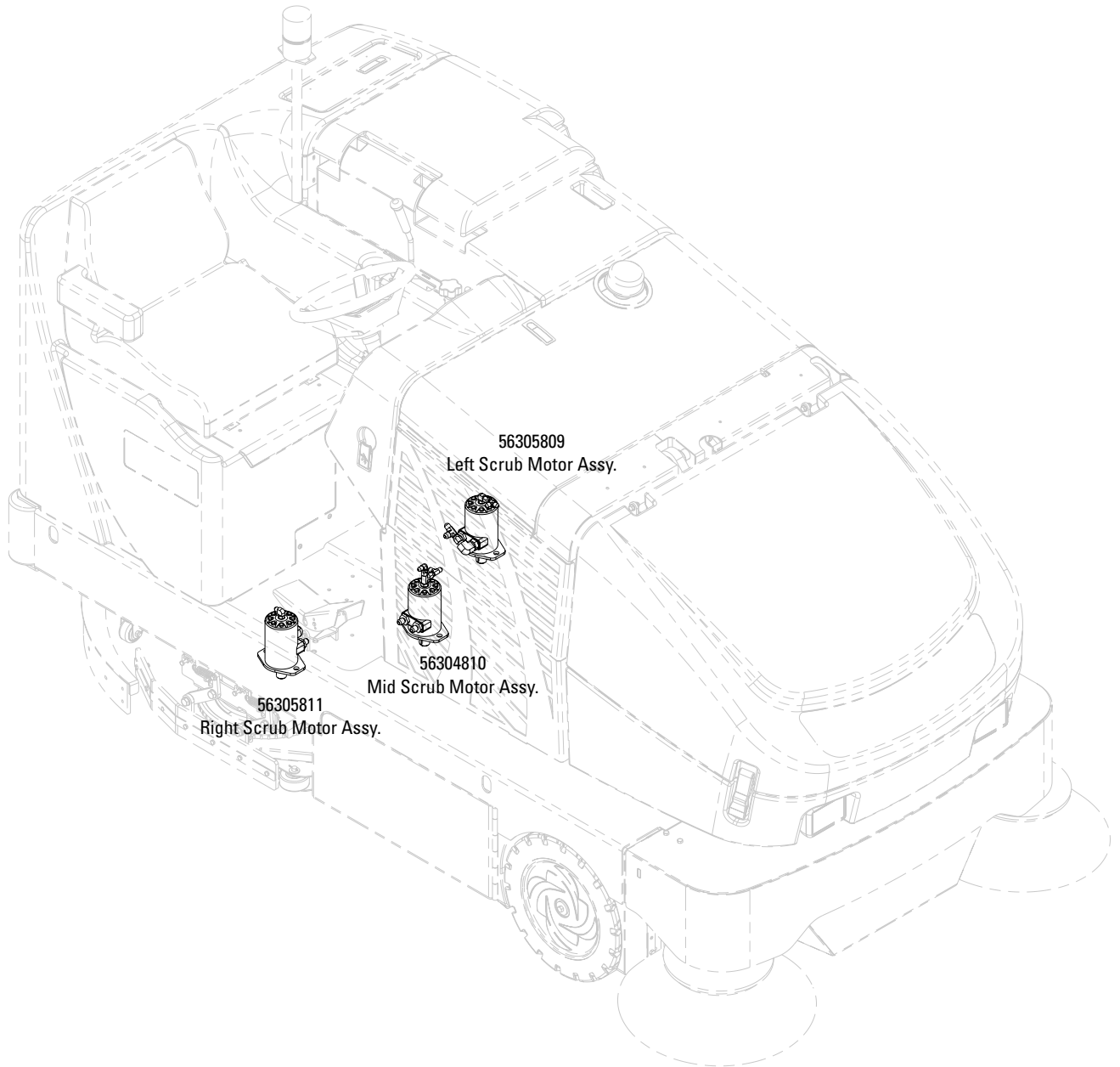


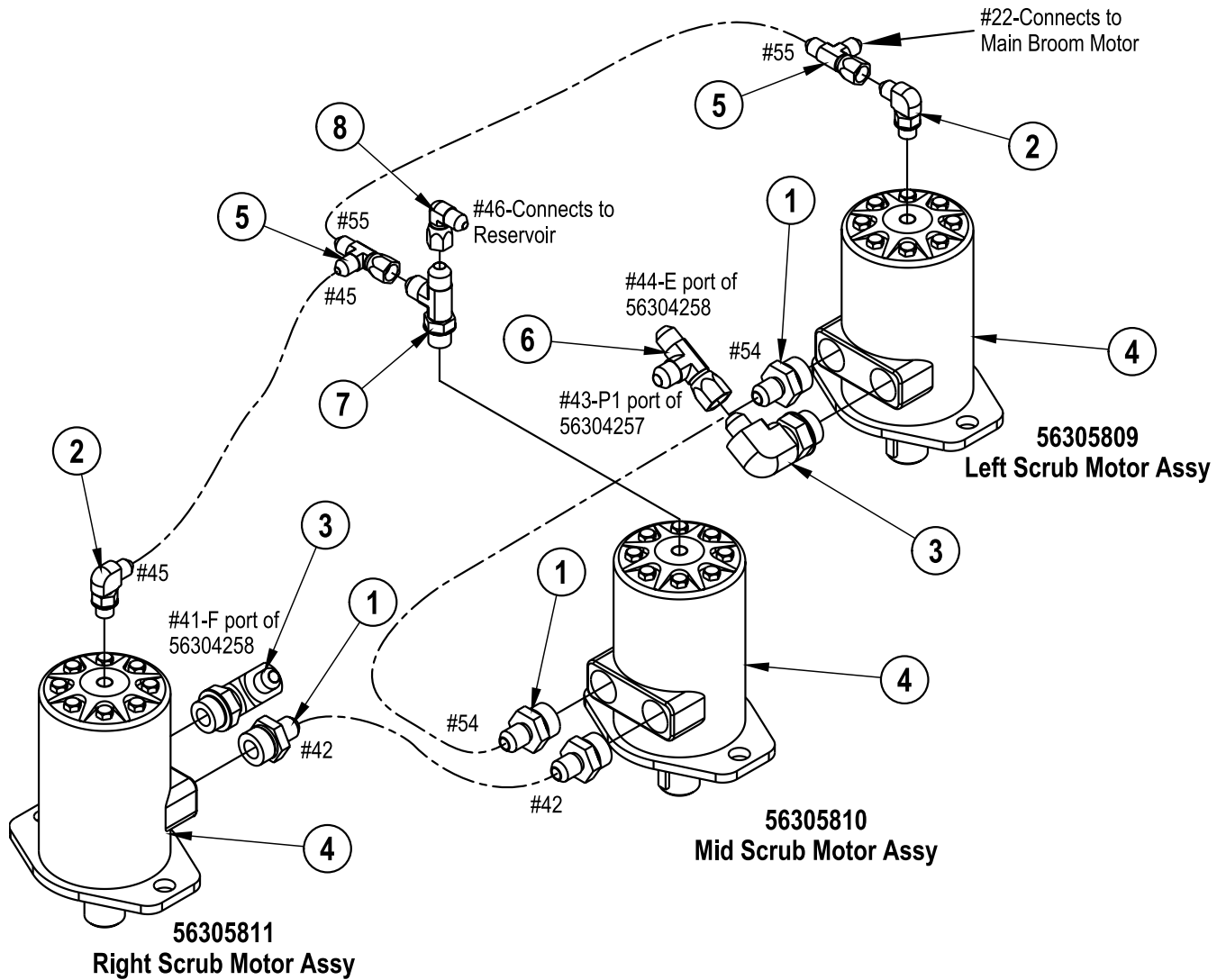


03-5	HYDRAULIC MOTOR ASSEMBLIES-IMPELLER / FANS	BOOK E		
04-3	Captor™ 4300, 4800, 5400 / CR 1100, 1200, 1400	E	14.6.1	19

Item	Ref. No.	Qty	Description
	56304261	1	Squeegee Fan Motor Assy
	56305068	1	Engine Fan Motor Assy
	56418973	1	Impeller Motor Assy
1	56418971	2	Motor, Hydraulic
2	56900101	3	Elbow, 90 O-Ring
3	56900112	1	Elbow, 90 O-Ring
4	56900343	1	Tee, Run W/Nut
5	56900164	2	Elbow, 45 Str.-Thd
6	56304143	1	Motor, Hydraulic
7	56900004	2	Connector, O-Ring
8	56900013	1	Connector, O-Ring
9	56900344	1	Tee, Run W/Nut
10	56418866	1	Coupling, #8 Test Port
			Squeegee Fan Motor / Impeller Motor Replacement Parts (56304261 / 56418973)
*	56418823	1	Shaft Seal
*	56419176	1	Solenoid Cartidge
*	56419177	1	Solenoid Coil
*	56419178	1	Seal Kit

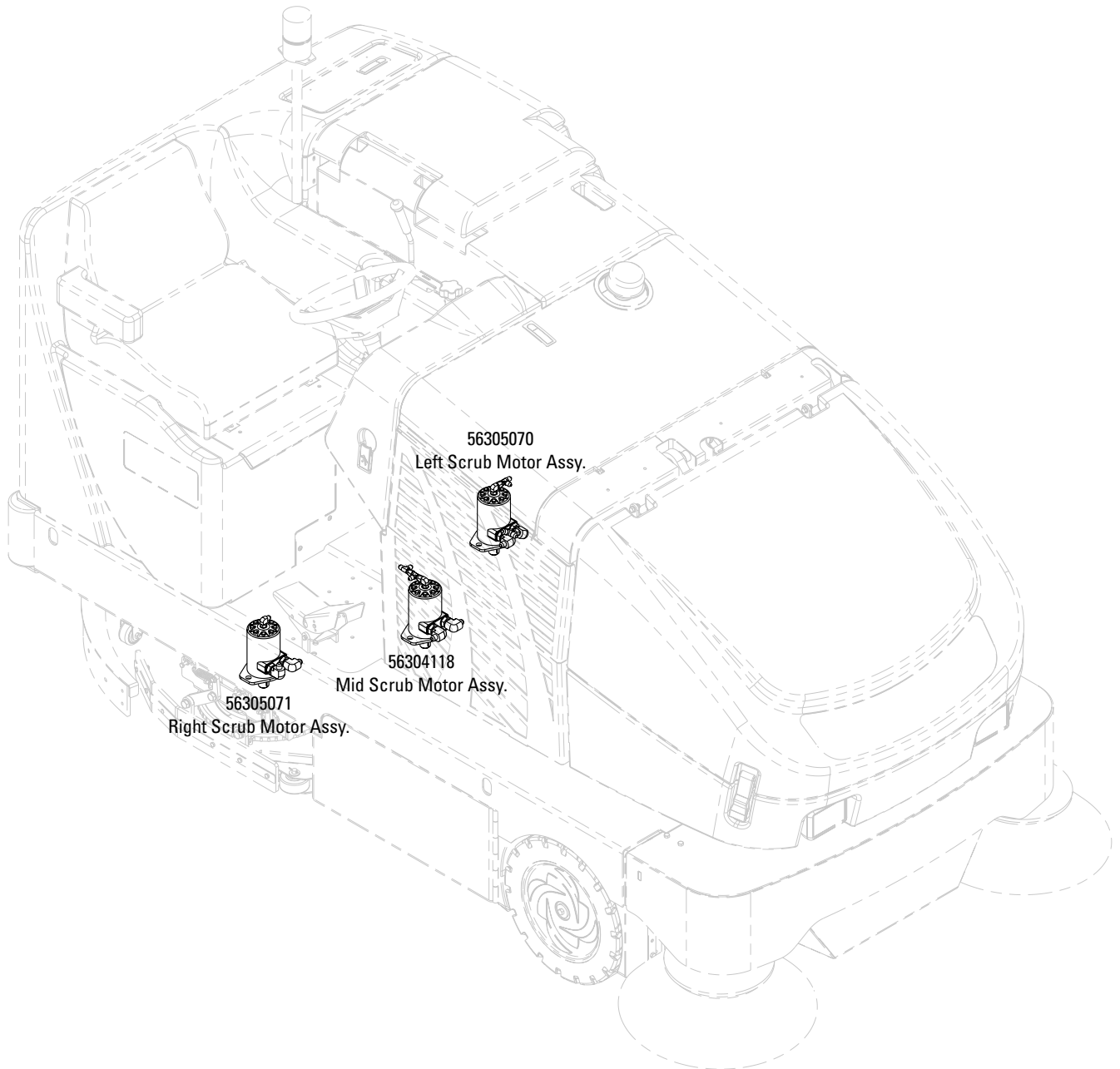
* = Not Shown

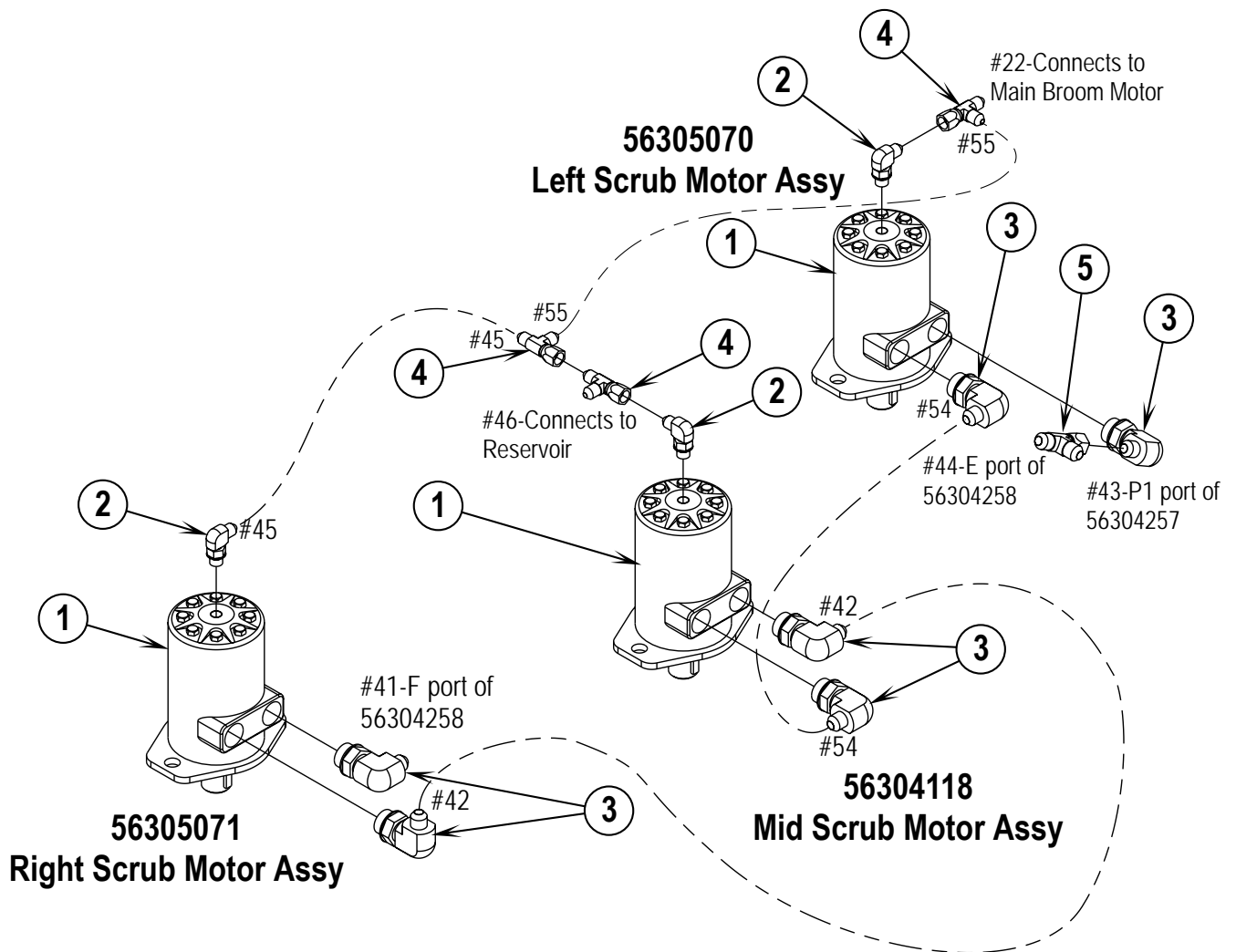




Item	Ref. No.	Qty	Description
	56305809	1	Left Scrub Motor Assy
	56305810	1	Mid Scrub Motor Assy
	56305811	1	Right Scrub Motor Assy
1	56900014	4	Connector, O-Ring
2	56900101	2	Elbow, 90 O-Ring
3	56900113	2	Elbow, 90 O-Ring
4	56304811	3	Motor, Hydraulic 4.5
5	56900341	2	Tee, Run W/Nut
6	56900343	1	Tee, Run W/Nut
7	56900201	1	Tee, Run O-Ring
8	56900301	1	Elbow, 90 W/Nut
			Scrub Motor Replacement Parts (All motors)
*	56305357	1	Seal Kit (1 required per motor)

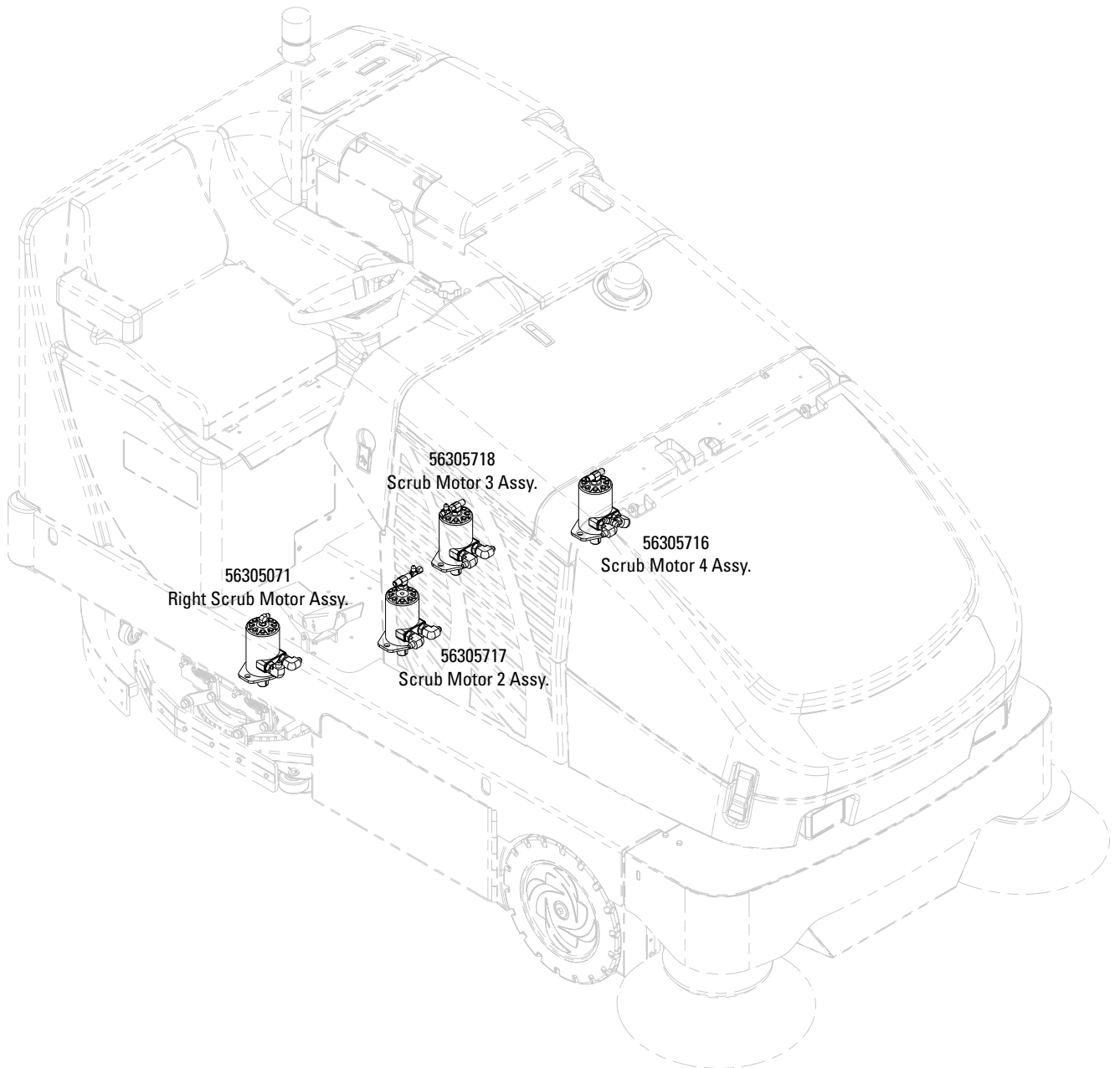
* = Not Shown

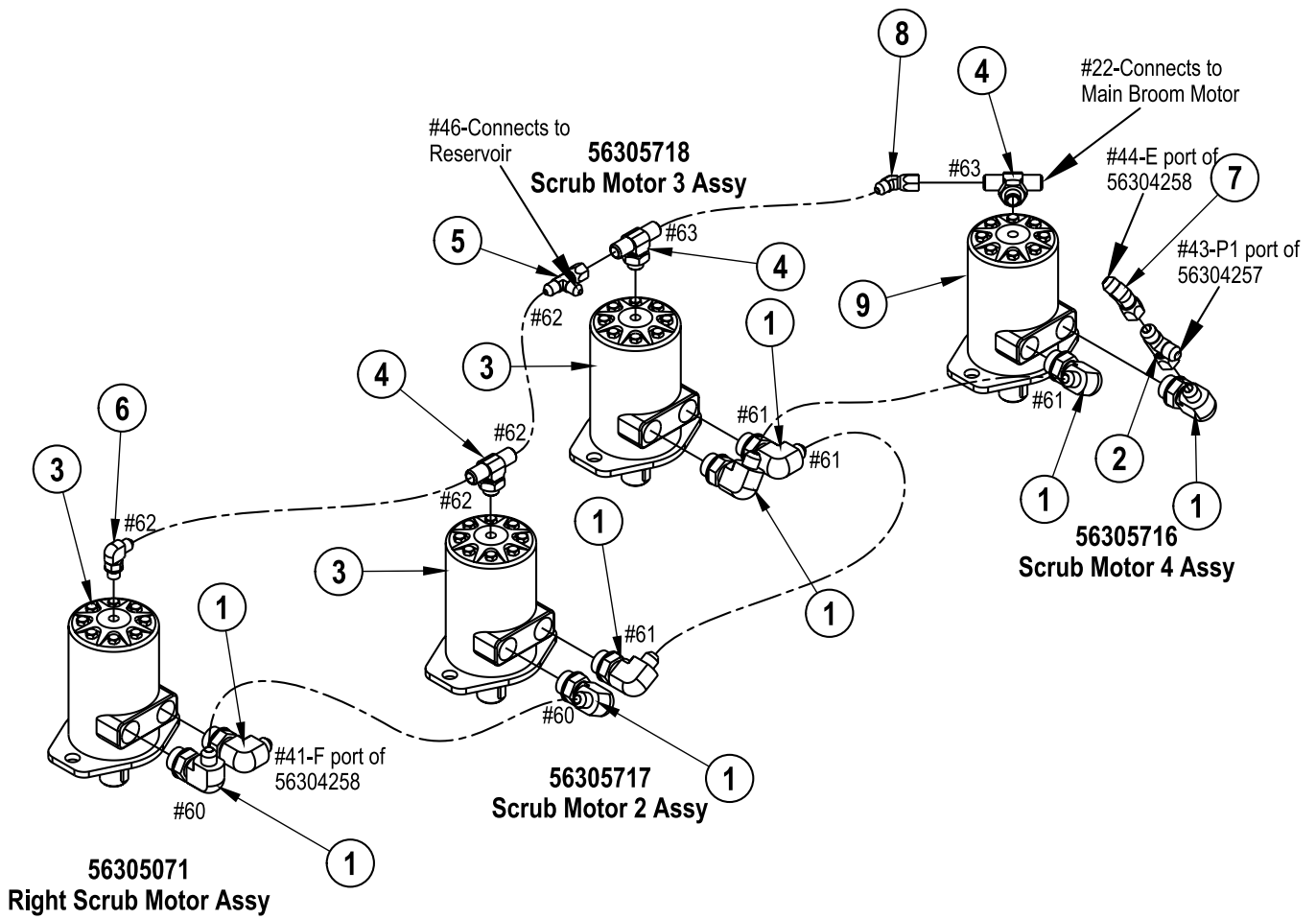




Item	Ref. No.	Qty	Description
	56304118	1	Mid Scrub Motor Assy
	56305070	1	Left Scrub Motor Assy
	56305071	1	Right Scrub Motor Assy
1	56304811	3	Motor, Hydraulic 4.5
2	56900101	3	Elbow, 90 O-Ring
3	56900113	6	Elbow, 90 O-Ring
4	56900341	3	Tee, Run W/Nut
5	56900343	1	Tee, Run W/Nut
			Scrub Motor Replacement Parts (All motors)
*	56305357	1	Seal Kit (1 required per motor)

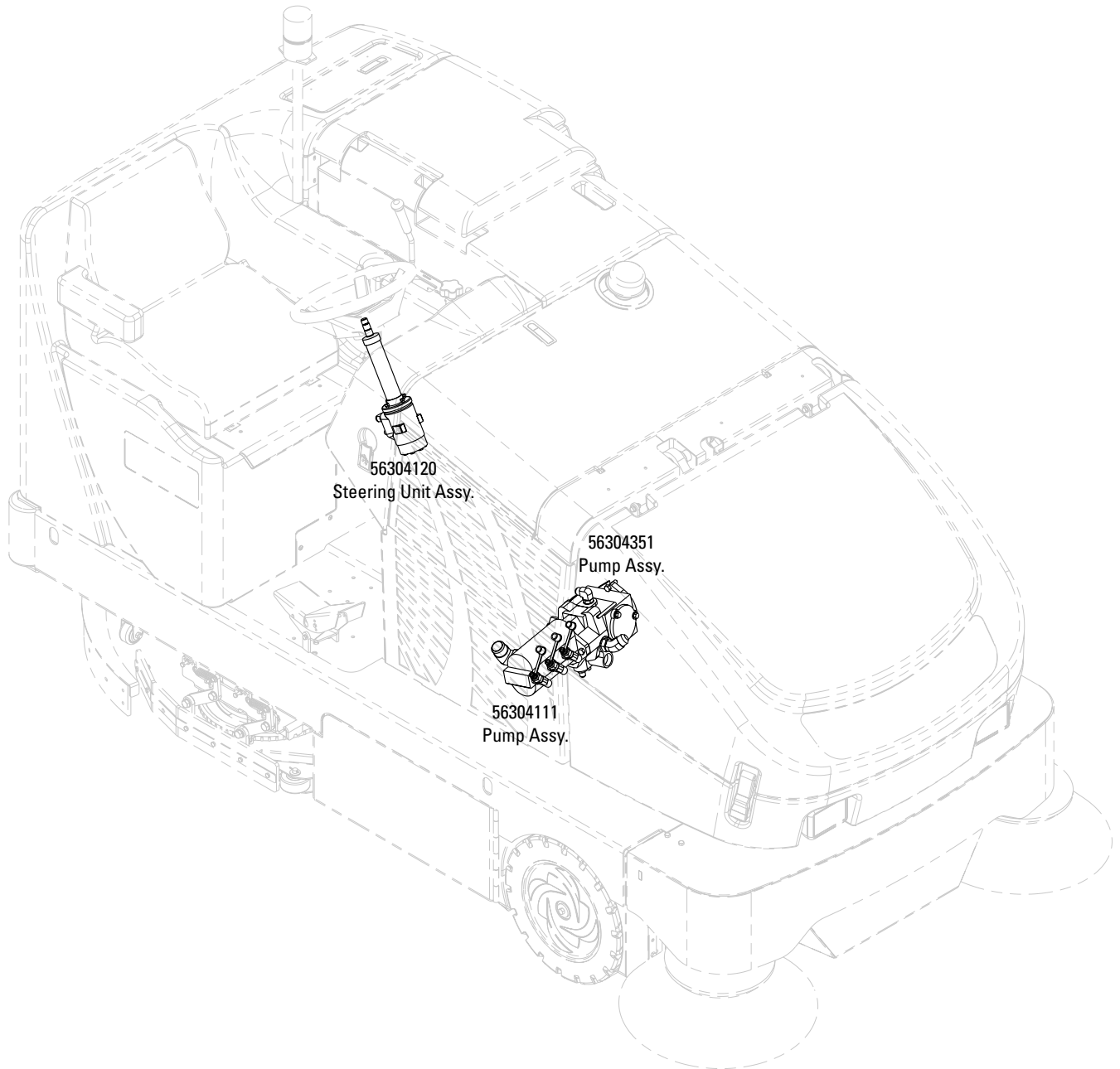
* = Not Shown

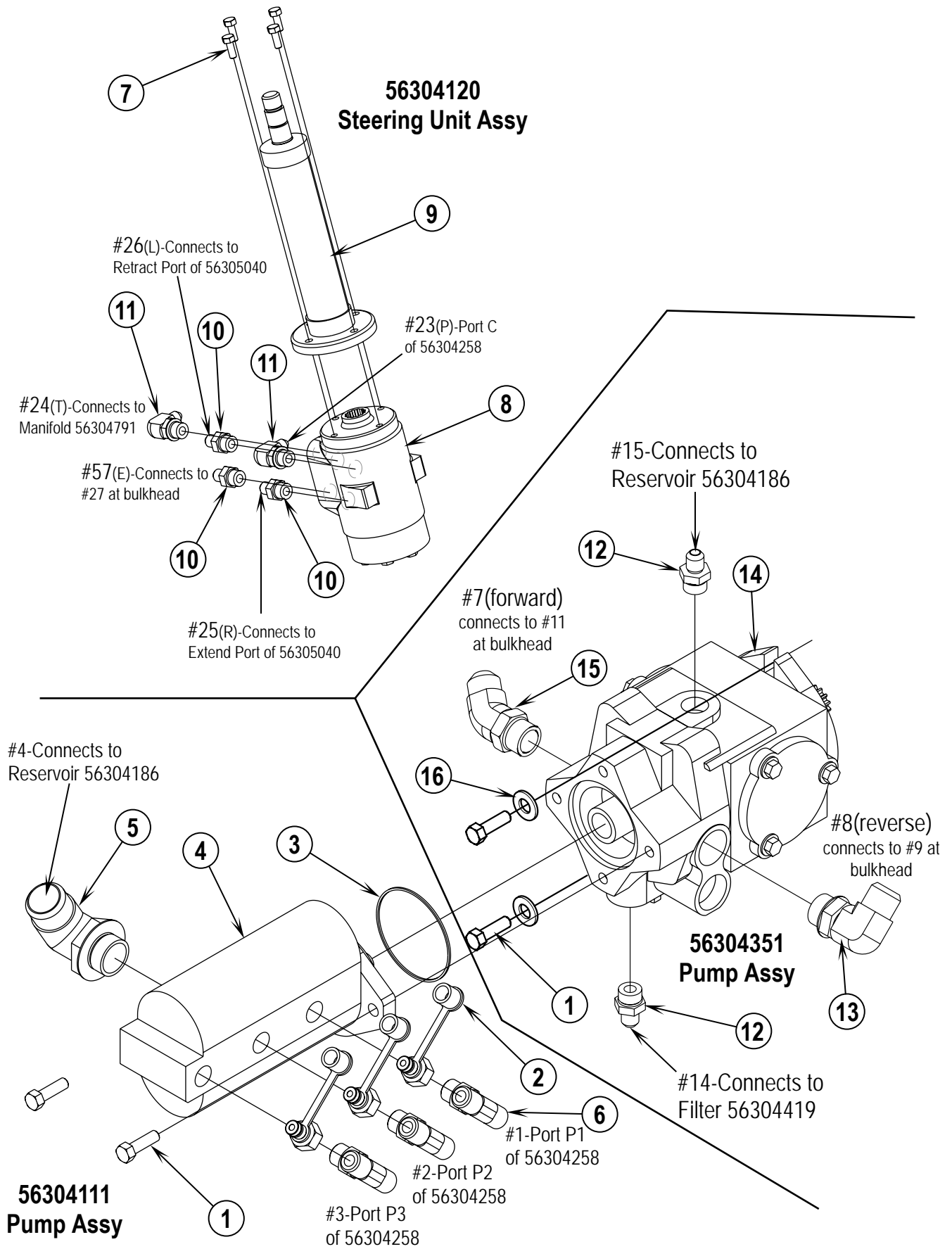




Item	Ref. No.	Qty	Description
	56305716	1	Scrub Motor 4 Assy
	56305718	1	Scrub Motor 3 Assy
	56305717	1	Scrub Motor 2 Assy
	56305071	1	Right Scrub Motor Assy
1	56900113	8	Elbow, 90 O-Ring
2	56900343	1	Tee, Run W/Nut
3	56304811	3	Motor, Hydraulic 4.5
4	56900356	3	Tee, Branch O-Ring
5	56900341	1	Tee, Run W/Nut
6	56900101	1	Elbow, 90 O-Ring
7	56900323	1	Elbow, 45 W/Nut
8	56900321	1	Elbow, 45 W/Nut
9	56305897	1	Motor, Hydraulic 4.5
			Scrub Motor Replacement Parts (All motors)
*	56305357	1	Seal Kit (1 required per motor)

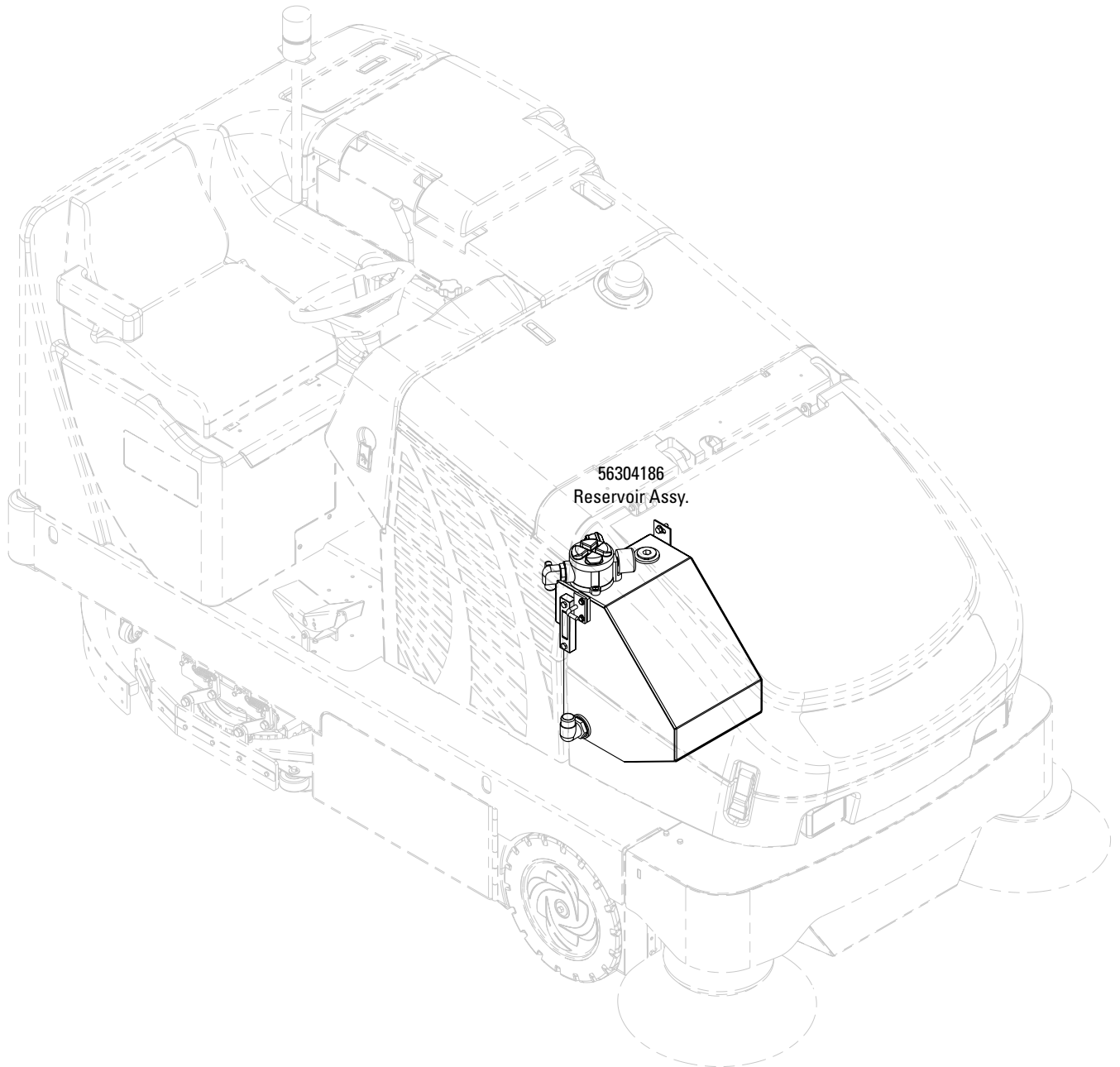
* = Not Shown





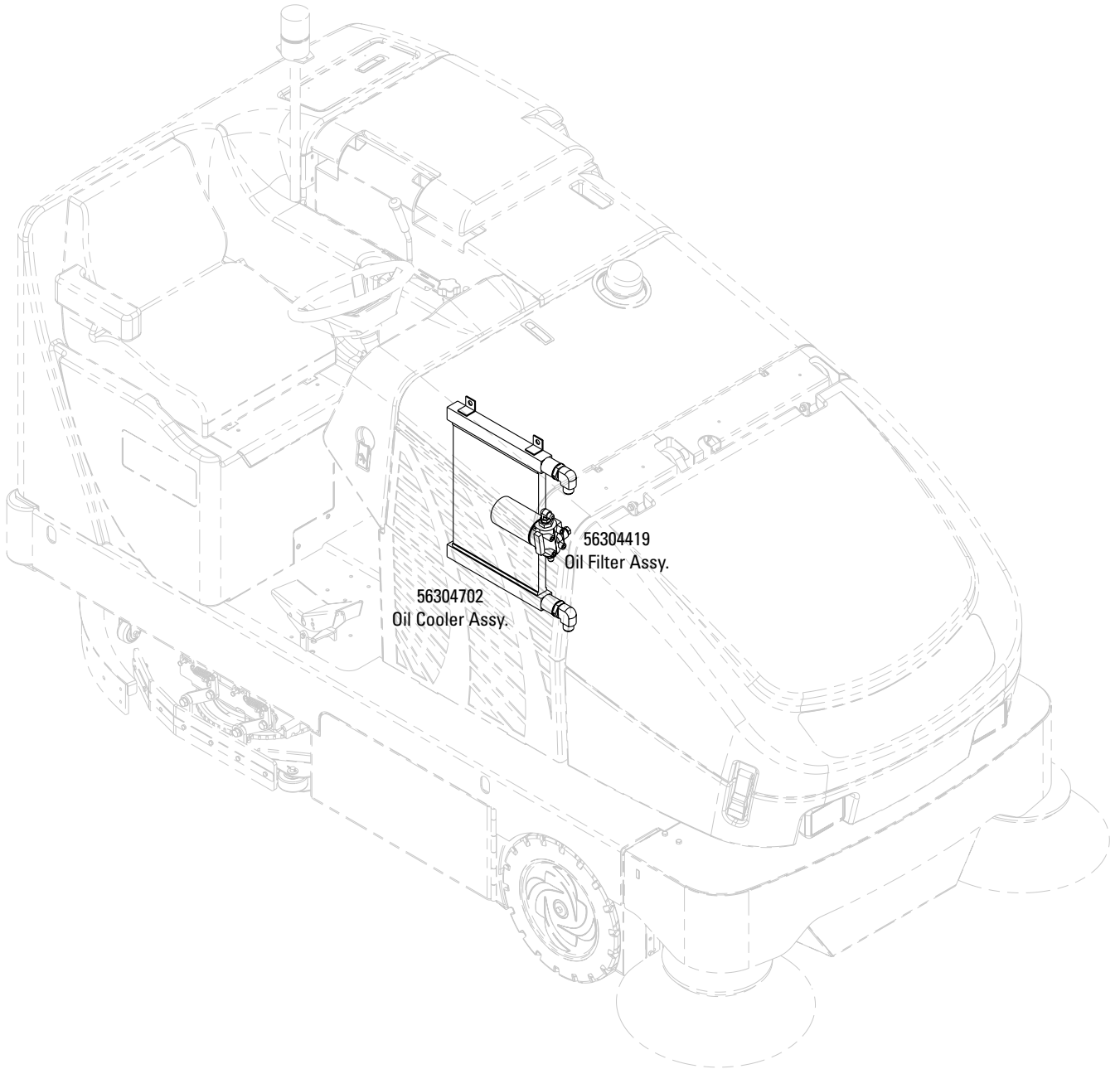
Item	Ref. No.	Qty	Description
	56304111	1	Pump Assy (Gear)
	56304120	1	Steering Unit Assy
	56304351	1	Pump Assy (Hydrostatic)
1	56003029	4	Scr, Hex Hd 3/8-16 x 1.25
2	56418866	3	Coupling, #8 Test Port
3	56488002	1	O-Ring
4	56304113	1	Pump, Triple Gear
5	56900352	1	Elbow, 90 O-Ring
6	56900254	3	Tee, Branch O-Ring
7	56003174	4	Scr, Hex Thd To Hd M6-1.00 x 16mm
8	56304121	1	Steering Control Unit
9	56304527	1	Steering Column
10	56900011	3	Connector, O-Ring
11	56900110	2	Elbow, 90 O-Ring
12	56900013	2	Connector, O-Ring
13	56900106	1	Elbow, 90 O-Ring
14	56304112	1	Pump, Piston
15	56900156	1	Elbow, 45 O-Ring W/Nut
16	56009106	2	Wsh, Flt .453 x 1.000 x .179
			Gear Pump Assy Replacement Parts (56304111)
*	56418987	1	Seal Repair Kit
			Hydrostatic Pump Assy Replacement Parts (56304351)
*	56305360	1	Seal Kit
			Steering Control Unit Replacement Parts (56304121)
*	56419521	1	Seal Kit (units manufactured after January 2004)

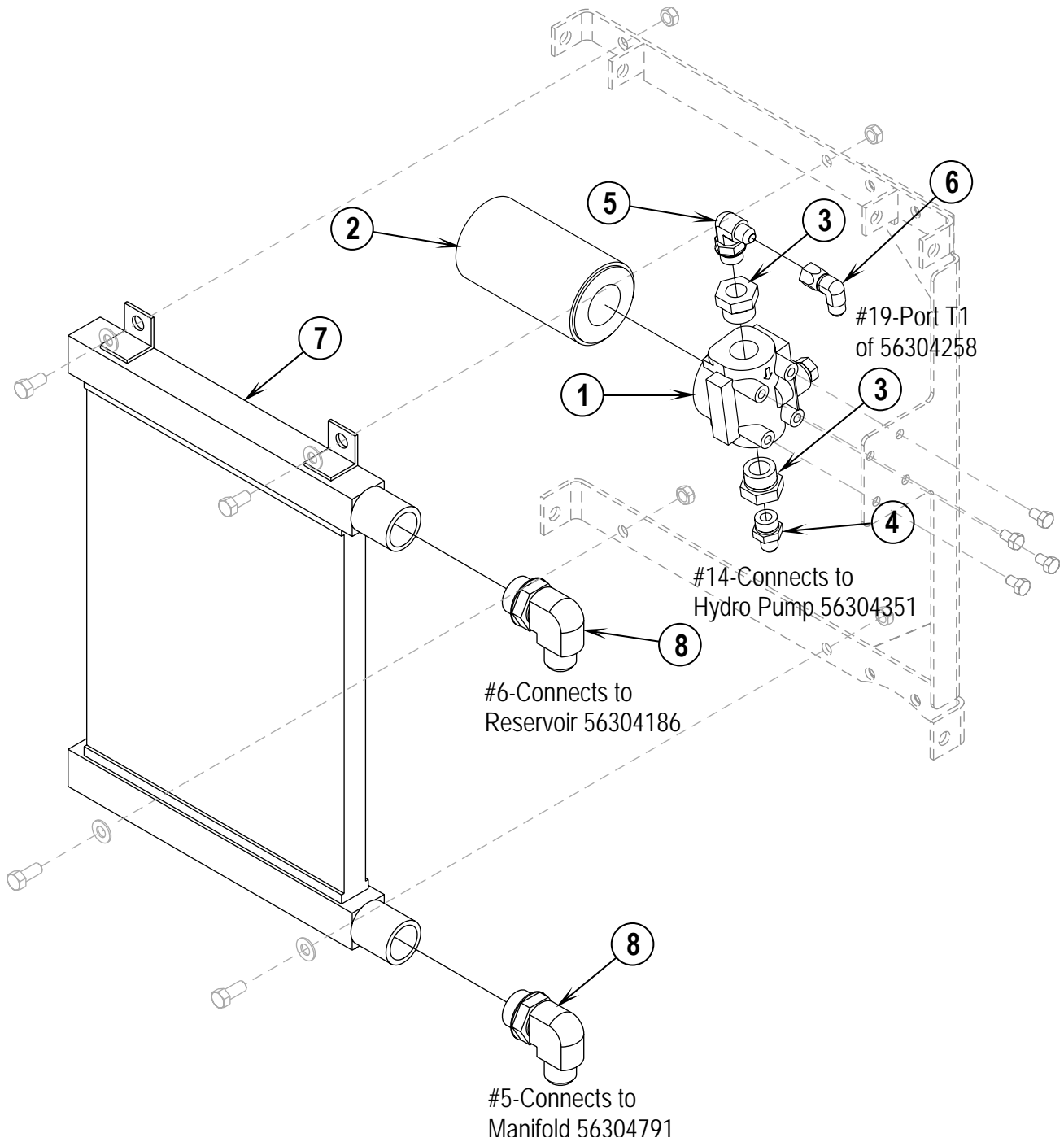
* = Not Shown



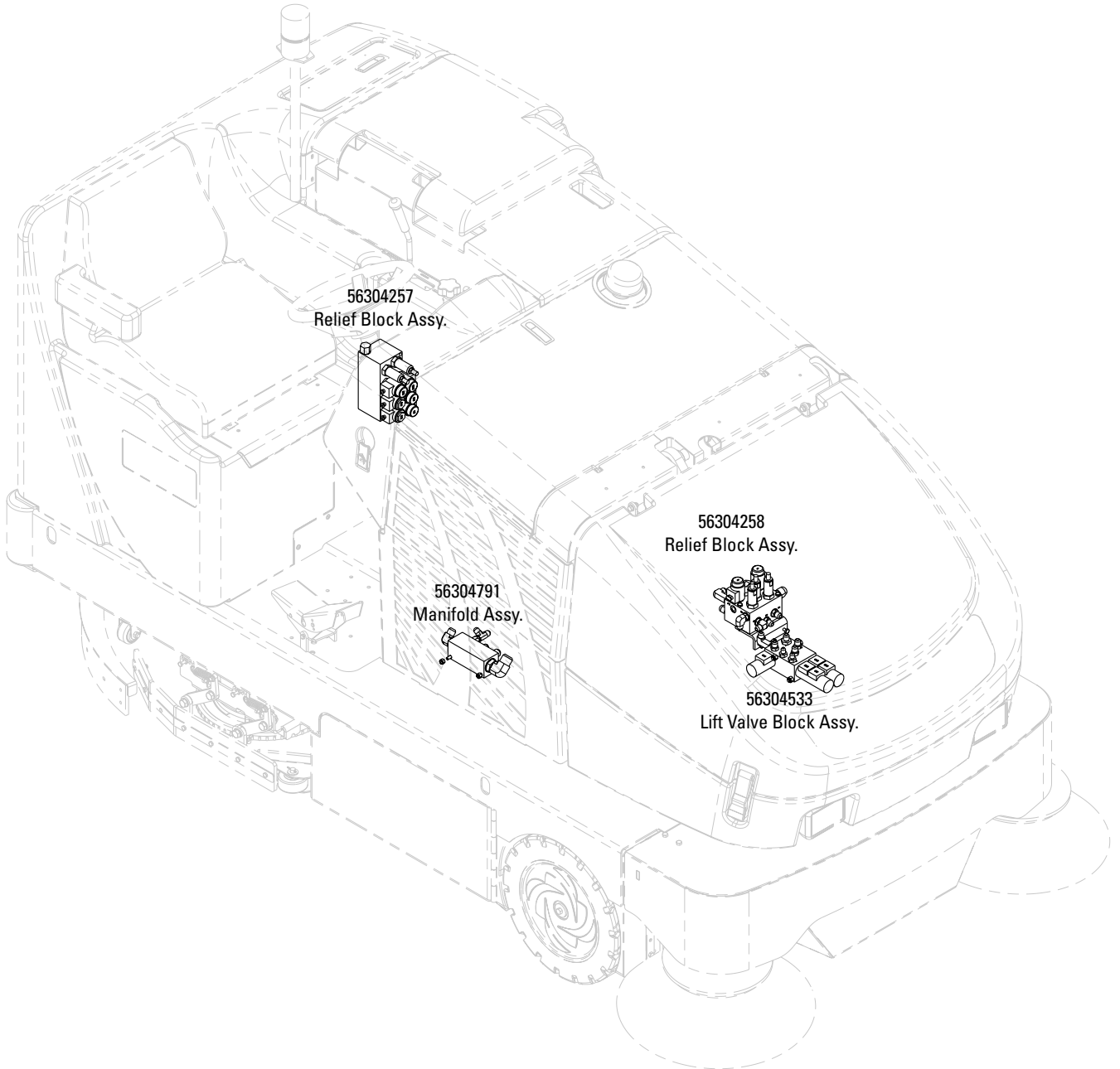
Item	Ref. No.	Qty	Description
	56304186	1	Reservoir Assy
1	56001836	2	Scr,Hex Hd 1/4-20x.62
2	56002063	3	Wsh, Flt Sae 3/8
3	56002098	2	Wsh, Flt Sae 1/4
4	56002943	2	Scr,Pan Phil Loc 5/16-18x1.00
5	56002947	3	Scr,Hex Hd Loc 3/8-16x1.00
6	56459479	1	Gauge, Level
7	56463403	1	Plug,Hex Soc O-Ring
8	56304878	1	Filter, Hydraulic Return
*	56305065	1	Filter Cartridge
*	56305064	1	Vent Filter
*	56305995	1	Oil Filter Seal Kit
9	56305066	1	Elbow, 90 O-Ring
10	56305095	1	Latch Weldment
11	56305228	1	Plug, O-Ring 20
12	56305468	1	Reservoir Weldment
13	56418994	1	Switch,N.O. Pressure (S6)
14	56419241	1	Dust Boot
15	56900103	1	Elbow, 90 O-Ring
16	56900352	1	Elbow, 90 O-Ring
17	56900001	6	Connector, O-Ring

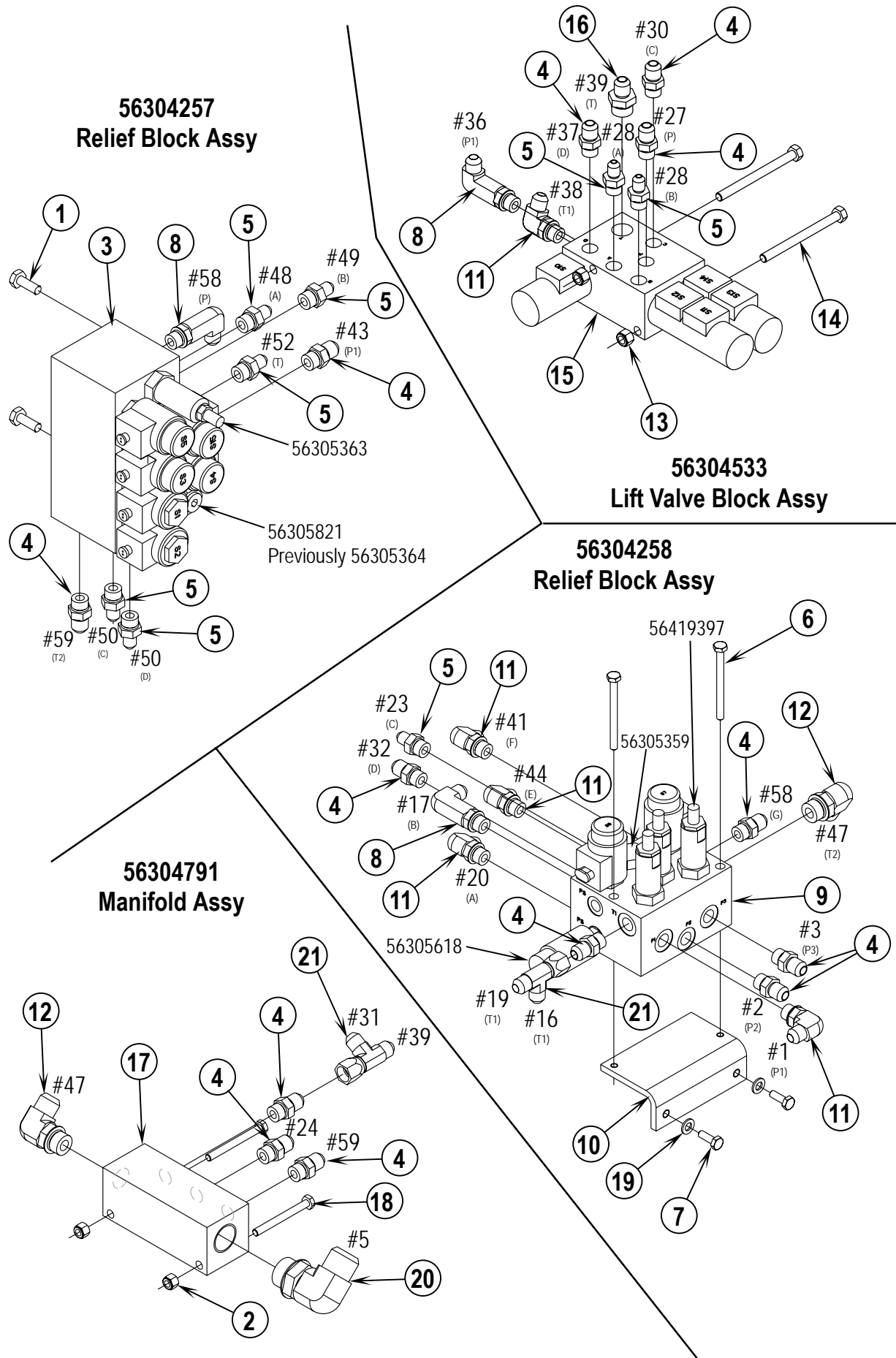
* = Not Shown





Item	Ref. No.	Qty	Description
	56304419	1	Oil Filter Assy (1-6)
	56304702	1	Oil Cooler Assy (7-8)
1	56419253	1	Head, Oil Filter
2	56419254	1	Oil Filter Cartridge
3	56900604	2	Reducer, Straight Thread
4	56900013	1	Connector, O-Ring
5	56900112	1	Elbow, 90 O-Ring
6	56900303	1	Elbow, 90 W/Nut
7	56463678	1	Cooler, Oil
8	56900117	2	Elbow, 90 O-Ring





Item	Ref. No.	Qty	Description
	56304257	1	Relief Block Assy
	56304258	1	Relief Block Assy
	56304533	1	Lift Valve Block Assy
	56304791	1	Manifold Assy
1	56002037	2	Scr, Hex Hd 5/16-18 x .88
2	56002708	2	Nut, Hex Nyl Loc 1/4-20
3	56305496	1	Valve Block
4	56900003	13	Connector, O-Ring
5	56900011	8	Connector, O-Ring
6	56002603	2	Scr, Hex Hd 1/4-20 x 3.00
7	56002956	2	Scr, Hex Hd Loc 5/16-18 x .75
8	56900523	3	Elbow, 90 Long O-Ring
9	56305427	1	Block, Relief
10	56304887	1	Bracket
11	56900103	5	Elbow, 90 O-Ring
12	56900104	2	Elbow, 90 O-Ring
13	56002701	2	Nut, Hex Nyl Loc 5/16-18
14	56003325	2	Scr, Hex Hd 5/16-18 x 3.75
15	56304532	1	Valve Block, Lift
16	56900013	1	Connector, O-Ring
17	56418998	1	Manifold, Hydraulic
18	56001855	2	Scr, Hex Hd 1/4-20 x 2.50
19	56001939	2	Wsh, Flt SAE 5/16
20	56900106	1	Elbow, 90 O-Ring
21	56900343	2	Tee, Run W/Nut

Relief Block Assy Replacement Parts (56304257)

*	56304154	A/R	Solenoid Coil W/Connector
*	56305363	A/R	Reducer Cartridge
*	56305578	A/R	Seal Kit, Reducer
*	56305821	A/R	Relief Cartridge
			(This cartridge replaces previous cartridge 56305364. It is a direct replacement)
*	56305822	A/R	Seal Kit (for Relief Cartridge 56305821, WILL NOT work in old Relief Cartridge 56305364)
*	56305366	1	Cartridge for S3
*	56305367	1	Cartridge for S15
*	56305368	1	Cartridge for S4
*	56305369	1	Cartridge for S2
*	56305351	A/R	Cartridge for S1 & S5
*	56305354	A/R	Seal Kit for S3, S4 & S15
*	56305349	A/R	Seal Kit for S1 & S5
*	56305355	1	Seal Kit for S2
*	56305365	1	Port Check cartridge
*	56305349	1	Port Check Seal Kit
*	56305370	1	Check Valve Cartridge
*	56305354	1	Check Valve Seal

Lift Valve Block Assy Replacement Parts (56304533)

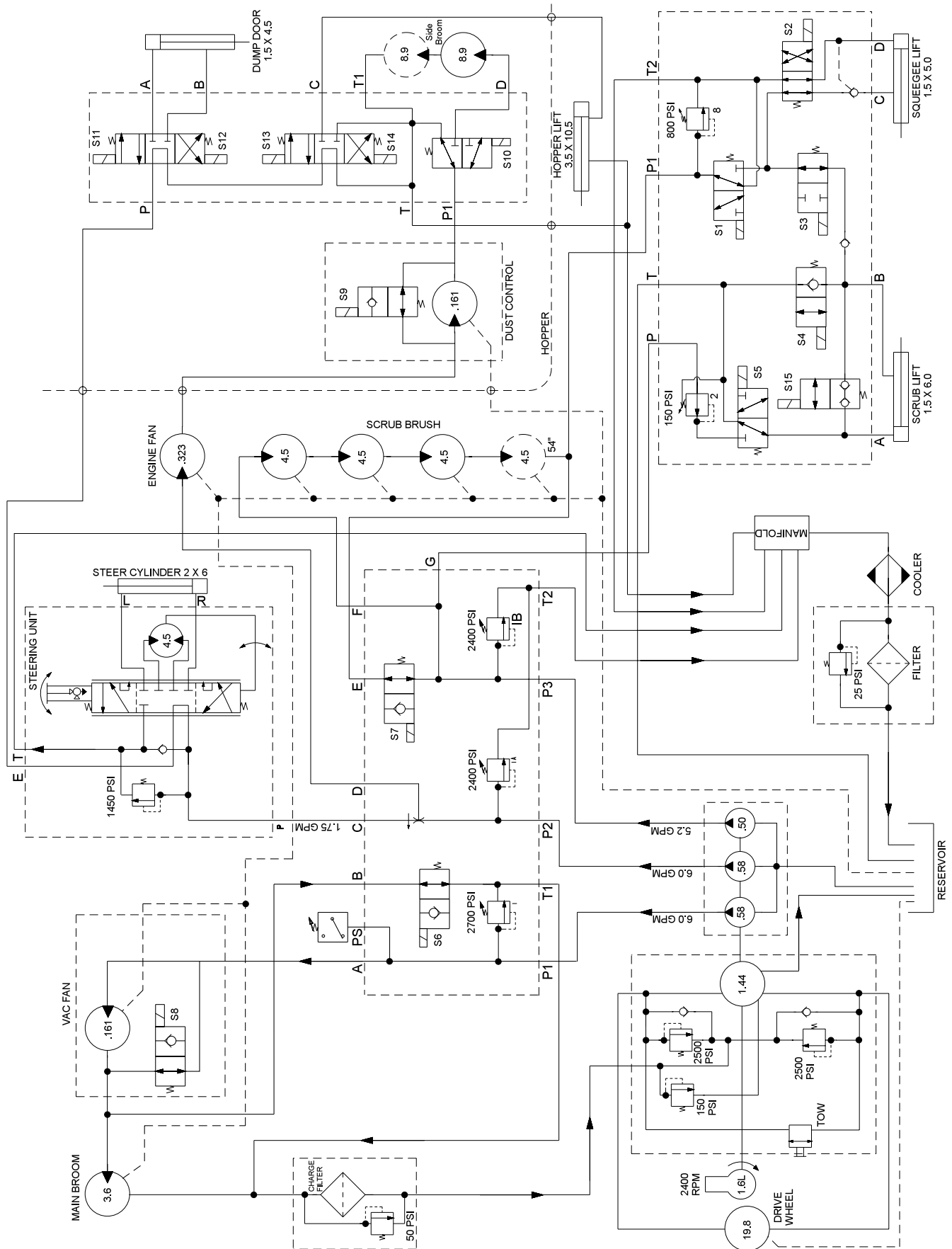
*	56304154	A/R	Coil W/Connector
*	56305350	2	Cartridge for Double Solenoid
*	56305351	1	Cartridge for Single Coil
*	56305348	2	Seal Kit for Double Valve
*	56305349	1	Seal Kit for Single Valve

Relief Block Assy Replacement Parts (56304258)

*	56305354	A/R	Seal Kit, Relief for S6 & S7
*	56305349	A/R	Seal Kit, Cartridge
*	56305353	A/R	Seal Kit, Divider
*	56419397	A/R	Relief Cartridge
*	56305531	A/R	Valve Cartridge for S6 & S7
*	56305359	A/R	Divider Cartridge
*	56304154	A/R	Coil W/Connector
*	56305618	1	Switch, Pressure (S4)

* = Not Shown

FORM NO. 56042445



Austria (Sales Sub)

Nilfisk-Advance GmbH	Phone: +43
Voralberger Allee 46	1616 58 30 22
A-1230 Wien	Fax: +43
info@nilfisk-advance.at	1616 58 30 40
www.nilfisk-advance.at	

Belgium (Sales Sub)

Nilfisk-Advance NV/SA	Phone: +32
Doornveld Sphere Business Park	(0)2467 60 50
Industrie Asse 3, No. 11	Fax: +32
B-1731 Zellik-Asse	(0)2463 44 16
www.nilfisk-advance.be	

Czech Republic (Sales Sub)

Nilfisk-Advance s.r.o.	Phone: +420
Lysinská 44/1863	2 44 09 09 12
143 00 Praha - Modrany	+420
Czech Republic	2 44 09 09 21 4
	Fax: +420
	2 44 40 23 93

Denmark

Nilfisk-Advance A/S	Phone: +45
Sognevej 25	43 23 81 00
DK-2605 Brøndby	Fax: +45
mail@nilfisk-advance.dk	43 43 77 00
www.nilfisk-advance.com	

Denmark (Prod. Sub)

Gerni A/S	Phone: +45
Myntevej 2	89 12 22 00
DK-8900 Randers	Fax: +45
www.gerni.com	86 43 14 81

Denmark (Sales Sub)

Nilfisk-Advance Nordic A/S	Phone: +45
Sognevej 25A	43 23 40 50
Postbox 344	Fax: +45
DK-2605 Brøndby	43 23 40 60
kundeservice@nilfisk-advance.dk	
www.nilfisk-advance.dk	

France (Sales Sub)

Nilfisk-Advance S.A.	Phone: +33
27 avenue de la Baltique	1695 98 700
Villebon sur Yvette	Fax: +33
P.B. 246	1695 98 701
F-91944 Courtaboeuf Cedex	
info@nilfisk-advance.fr	
www.nilfisk-advance.fr	

Germany (Sales Sub)

Nilfisk-Advance AG	Phone: +49
Siemensstrasse 25-27	4101 3990
Postfach 1361	Fax: +49
D-25462 Rellingen	4101 39 91 91
info@nilfisk-advance.de	
www.nilfisk-advance.de	

Greece (Sales Sub)

Nilfisk-Advance A.E.	Tel.: +30
8, Thoukididou Str.	210 963 3443
Argioupoli	Fax: +30
Gr - 164 52 Athens	210 965 0975
Greece	

Holland (Sales Sub)

Nilfisk-Advance B.V.	Phone: +31
Camerastraat 9 (2e verdieping)	36 546 07 00
1322 BB Almere	Fax: +31
Postbus 60112	36 523 51 48
1320 AC Almere	
www.nilfisk-advance.nl	

Ireland (Sales Sub)

Nilfisk-Advance Limited	Phone: +35
28 Sandyford Office Park	3 12 94 38 38
Sandyford, Dublin 18	Fax: +35
Ireland	3 12 94 38 45

Italy (Prod & Sales Sub)

CFM SpA	Phone: +39
Nilfisk-Advance Div. Guardamiglio	0377 /414021
Localita Novella III	/45 1124
I-26862 Guardamiglio (Mi)	Fax: +39
	0377 51 443

Italy (Prod & Sales Sub)

CFM S.p.A.	Phone: +39
Via Porrettana 1991	059 973 0000
I-41059 Zocca (Modena)	Fax: +39
cfm@cfm.it	059 973 0099

Norway (Sales Sub)

Nilfisk-Advance AS	Phone: +47
Ulvenveien 89C	23 06 75 00
N-0581 Oslo	Fax: +47
	23 06 75 01

Poland (Sales Sub)

Nilfisk-Advance Sp.Z.O.O.	Phone: +48
05-800 Pruszków	22 738 37 50
ul. 3-go MAJA 8	Fax: +48
Poland	22 738 37 51

Portugal (Sales Sub)

Nilfisk-Advance, Lda.	Phone: +35
Sintra Business Park	121 911 2670
Zona Industrial Da Abrunheira	Fax: +35
Edificio 1, 1o A	121 911 2679
P-2710-089 Sintra	

Russia (Sales Sub)

Nilfisk-Advance LLC	Phone: 7
Vyatskaya str. 27, bld. 7	095 783 9602
127015 Moscow	Fax: +7
Russia	095 783 9603

Spain (Sales Sub)

Nilfisk-Advance S.A.	Phone: +34
Torre D'Ara	93 741 2400
Passeig del Rengle, 5 Pl.10	Fax: +34
E-08302 Mataró (Barcelona)	93 757 8020
nilfisk@nilfisk-advance.es	

Sweden (Sales Sub)

Nilfisk -Advance A/S	Phone: +46
Sjöbjörnsvägen 5	8555 94400
Box 44045	Fax: +46
S-100 73 Stockholm	8555 94430
info@nilfisk-advance.se	
www.nilfisk-advance.se	

Sweden (Prod.)

Nilfisk-Advance A/S	Phone: +46
Åmål Branch	5321 7500
Strömsbergsgatan	Fax: +46
Box 127	5321 7595
S-662 23 Åmål	

Switzerland (Sales Sub)

Nilfisk-Advance AG	Phone: +41
Ringsstrasse 19	71 92 38 444
Kirchberg/Industrie Stelzl	Fax: +41
CH-9500 Wil	71 92 35 283

www.nilfisk-advance.ch

UK (Sales Sub)

Nilfisk-Advance Limited	Phone: +44
Newmarket Road	1284 763163
Bury St. Edmunds	Fax: +44
UK-Suffolk IP33 3SR	1284 750 562

USA (Prod.)

Nilfisk-Advance Inc.	Phone: +1 763
14600 21.st Avenue North	745 3500
Plymouth, MN 55447-3408	Fax: +1 763
www.mn.nilfisk-advance.com	745 3718

USA (Sales Sub)

Nilfisk-Advance America Inc.	Phone: +1 610
300 Technology Drive	647 6420
Malvern, PA 19355	Fax: +1 610
www.pa.nilfisk-advance.com	647 6427

Canada (Sales Sub)

Nilfisk-Advance Canada Comp.	Phone: +1 905
396 Watline Avenue	712 3260
Mississauga, Ontario L4Z 1X2	Fax: +1 905
	712 3255

Australia (Sales Sub)

Nilfisk-Advance Pty. Ltd.	Phone: +61(0)2
48 Egerton Street	9648 2700
Silverwater, NSW 2128	Fax: +61(0)2
Postal addresse:	9648 2711
PO Box 6046	
Silverwater. NSW 1811	
info@nilfisk-advance.com.au	
www.nilfisk-advance.com.au	

China (Shenzhen)

Nilfisk-Advance (Shenzhen) Ltd	Phone: +86 755
Blok 3, Unit 130, 1001 Honghua Road	8359 7937 el.
Int. Commercial & Trade Center	8359 7939-42
Fuitian Free Trade Zone	Fax: +86 755
518038 Shenzhen	8359 1063
P.R. China	

China (Suzhou)

Nilfisk-Advance Professional	Phone: +86 512
Cleaning Equipment (Suzhou) Co. Ltd.	8918 5656
306 Su Hong Zhong Road, Build. 2	Fax: +86 512
Suzhou Industrial Park	8918 5666
215021 Suzhou	
P.R. China	

Hong Kong (Sales Sub)

Nilfisk-Advance Ltd.	Phone: +852
2001 HK Worsted Mills Ind'l Bldg.,	2427 5951
31-39 Wo Tong Tsui St.	Fax: +852
Kwai Chung, Hong Kong	2487 5828

Japan (Sales Sub)

Nilfisk-Advance Inc.	Phone: +8145
3-17-40-101 Chigasaki Higashi	942 7741
Tsuzuki-ku, Yokohama 224-0033	Fax: +8145
Japan	942 6545

Malaysia (Sales Sub)

Nilfisk-Advance Sdn Bhd	Phone: +60 3
No. 21, Jalan SS 25/41	7956 8188
Mayang Industrial Park	Fax: +60 3
47301 Petaling Jaya	7966 6828
Selangor, Malaysia	

New Zealand (Sales Sub)

Nilfisk-Advance Limited	Phone: +64(0)9
Danish House	525 0092
6 Rockridge Avenue	Fax: +64(0)9
Penrose 92-829	525 6440
Auckland1135	
Postal addresse:	
Private Bag 92 825	
Auckland	
New Zealand	

Singapore (Sales Sub)

Nilfisk-Advance Pte. Ltd.	Phone: + 65
22,Woodlands Industrial Park E1	6 7599100
Singapore 757740	Fax: +65
sales@nilfisk-advance.com.sg	7599133

Taiwan, ROC (Sales Sub)

Nilfisk-Advance Ltd.	Phone: +886
Taiwan Branch (H.K.)	2 2239 8812
1F, No. 193, Sec.2	Fax: +886
Xing Long Rd., Taipei	2 2239 8832
Taiwan, R.O.C.	

Thailand (Sales Sub)

Nilfisk-Advance Co. Ltd.	Phone: +66 2
89 Soi Chokechai-Ruammitr	275-5630
Viphavadee-Rangsit Road	Fax: +66 2
Ladyao, Jatuchak, Bangkok 10900	691-4079
Thailand	



www.nilfisk-advance.com

© 2005 Printed in USA