



## Electronic Service Manuals

This electronic document is provided as a service to our customers. We do not create the contents of the information contained in this document. Should you have detailed questions pertaining to the information contained in this document, you may contact Michco, or the manufacturer which provided the original information in this electronic deliverable. Michco's only part in this electronic deliverable was the electronic assembly process.

You may contact Michco through the following methods:  
Phone (517) 484-9312 or (800) 331-3339 MI, OH, IN only  
2011 N. High St. -- Lansing, Michigan -- 48906  
Fax: (517) 484-9836  
Email: [CustServ@Michco.com](mailto:CustServ@Michco.com)  
Web site: [www.Michco.Com](http://www.Michco.Com)  
Parts Web site: [www.FloorMachineParts.Com](http://www.FloorMachineParts.Com)

Order Parts on Line at:  
**[www.FloorMachineParts.Com](http://www.FloorMachineParts.Com)**

Directly to Parts & Service:  
By Email: **[Shop@Michco.com](mailto:Shop@Michco.com)**  
By Fax: (517) 702-2041  
By Voice: Use numbers above.

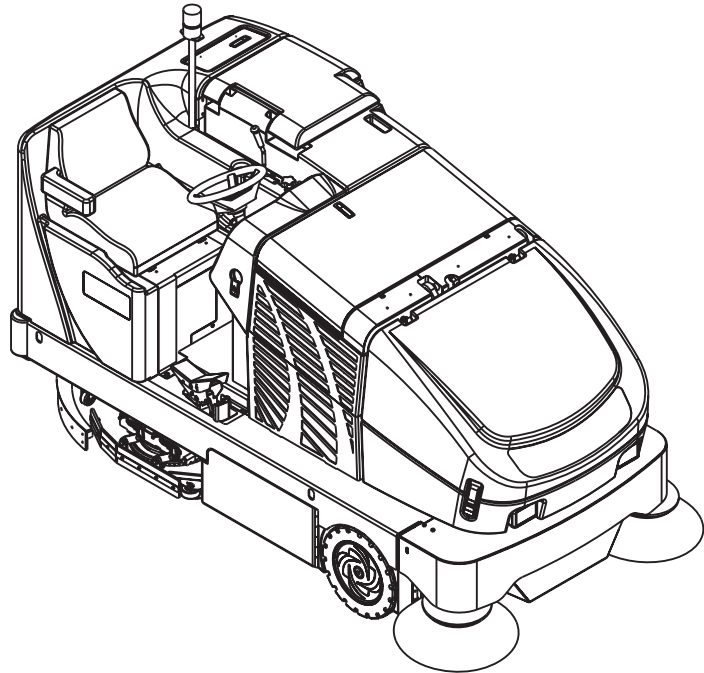
**Serving the Cleaning Industry Since 1922**

Notice: All copyrighted material remains property of original owners, all trademarks are property of respective owners. Manuals are subject to Manufacturer's reproduction limitations. Originals or reproductions were provided by manufacturers through a request. We make no warranty as to the correctness of information provided in this document and you assume all risk.

# Captor™ 4300, 4800, 5400

---

## CR 1100, 1200, 1400



### **ACCESSORIES PARTS LIST**

**Advance MODELS 56304000, 56304001, 56304002, 56304003, 56304004, 56304005, 56304006, 56304007, 56304008 56303000, 56303001**

**Nilfisk MODELS 56304009, 56304010, 56304011, 56304012, 56304013, 56304014, 56304015, 56304016, 56304017 56303004, 56303005, 56307000**

This manual applies to Battery, Diesel, Gasoline/Petrol and LPG models.



**Nilfisk  
Advance**

*setting standards*

3/04 revised 1/05 FORM NO. 56042449  
BOOK E SECTION 14.9.1

<b>Part Number</b>	<b>Kit</b>	<b>for use on: Engine and Battery Captor/CR 1100, 1200 &amp; 1400</b>	<b>for use on: Haram Captor CR 1400</b>	<b>for use on: Engine Captor/CR 1100, 1200 &amp; 1400 only</b>	<b>for use on: Battery Captor/CR 1100B &amp; 1200B only</b>	<b>Page</b>
56305482	Beacon Kit*	X				5
56305881	Beacon Kit (60 Gallon)*	X				7
56305652	Both Side Broom Guard Kit	X				9
56305494	Broom Guard Kit, Left	X				9
56305495	Broom Guard Kit, Right	X				9
56305641	Curb Light Kit	X	X			13
56304025	High Durability Drive Tire	X				19
56305517	Hopper Filter Switch Kit (Plugged)	X	X			21
56305637	Overhead Guard Kit	X				23
56305794	Pre-Filter Grid Kit	X	X			25
56419369	Seat Belt Kit	X	X			Not Shown
56305585	Solution Fill Shutoff Kit (obsolete)	X				29
56305896	Solution Fill Shutoff Kit	X	X			31
56305820	Solution Fill Shutoff Kit (60 Gallon)**	X				31
56305509	Temp Switch Kit	X	X			21
56305493	Tower Bumper Kit	X				33
56305530	Vacuum Wand Kit	X	X			37
56305519	Back-Up Alarm Kit*			X		3
56305643	Camera Kit		X	X		11
56305647	Controller Interface Kit		X	X		Not Shown
56305621	Fire Extinguisher Kit		X	X		15
56304044	High Durability Rear Wheel Assy			X		19
56305611	Deluxe Seat Kit			X		27
56303381	Deluxe Seat Kit w/Switch				X	27
56305628	Under-Hood Light Kit		X	X		35
56303355	Back-Up Alarm*				X	3
56303431	Fire Extinguisher Kit				X	17
56303028	High Durability Rear Wheel Assy				X	19
56303362	Trouble Lamp Kit				X	35

\*Standard equipment on Nilfisk models.

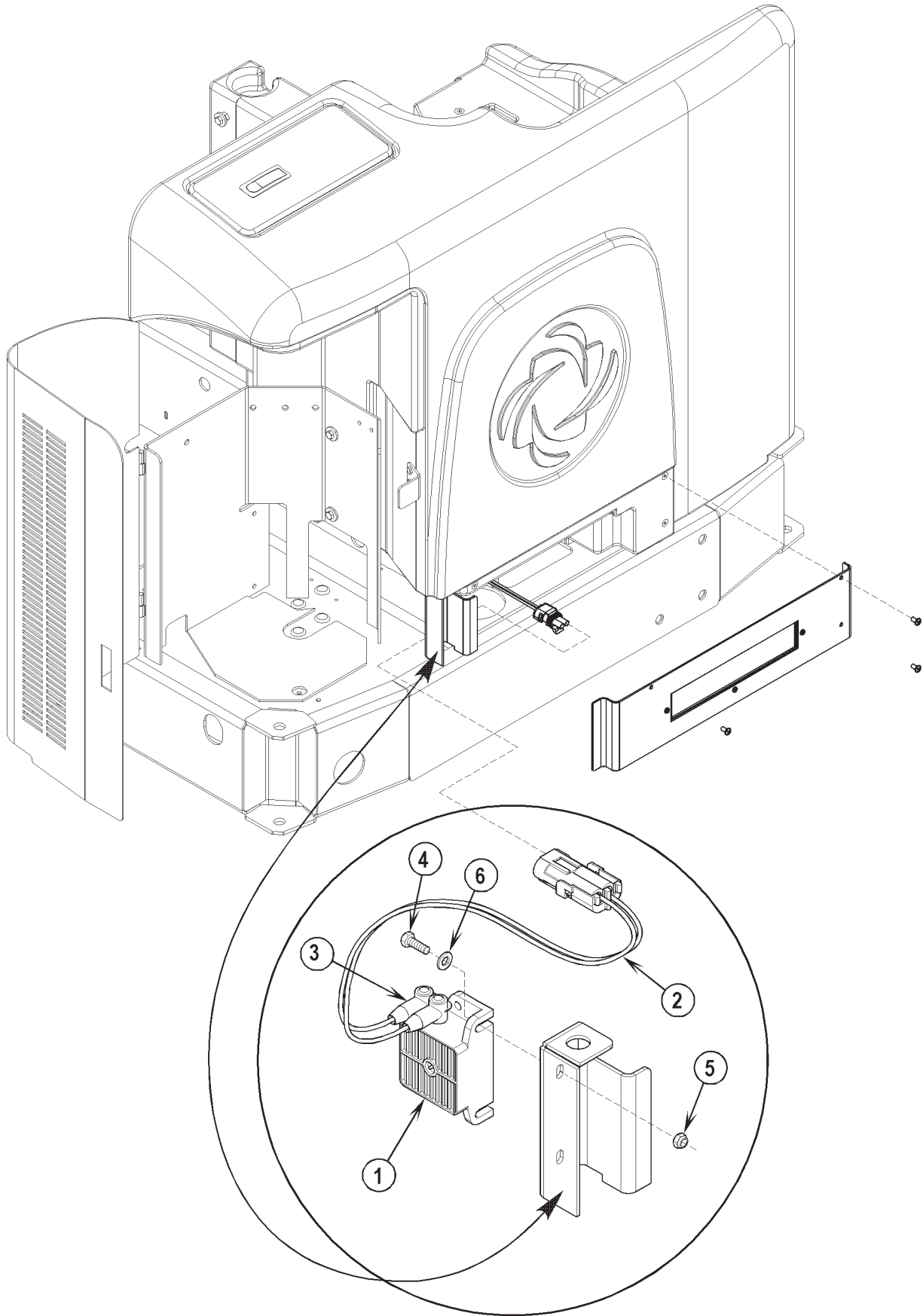
\*\*Only for use on 43" models.

DESCRIPTION	PLAN
Back-Up Alarm Kits .....	E-14.9.1-3
Beacon Kit.....	E-14.9.1-5
Beacon Kit (60 Gallon) .....	E-14.9.1-7
Broom Guard Kits.....	E-14.9.1-9
Camera Kit .....	E-14.9.1-11
Curb Light Kit .....	E-14.9.1-13
Fire Extinguisher Kit (engine models) .....	E-14.9.1-15
Fire Extinguisher Kit (battery models) .....	E-14.9.1-17
High Durability Rear Wheel.....	E-14.9.1-19
Hopper Filter & Temperature Switch Kits .....	E-14.9.1-21
Overhead Guard Kit .....	E-14.9.1-23
Pre-Filter Grid Kit .....	E-14.9.1-25
Seat Kit.....	E-14.9.1-27
Solution Fill Shutoff Kit (obsolete) .....	E-14.9.1-29
Solution Fill Shutoff Kits .....	E-14.9.1-31
Tower Bumper Kit.....	E-14.9.1-33
Under-Hood Light Kits.....	E-14.9.1-35
Vacuum Wand Kit.....	E-14.9.1-37

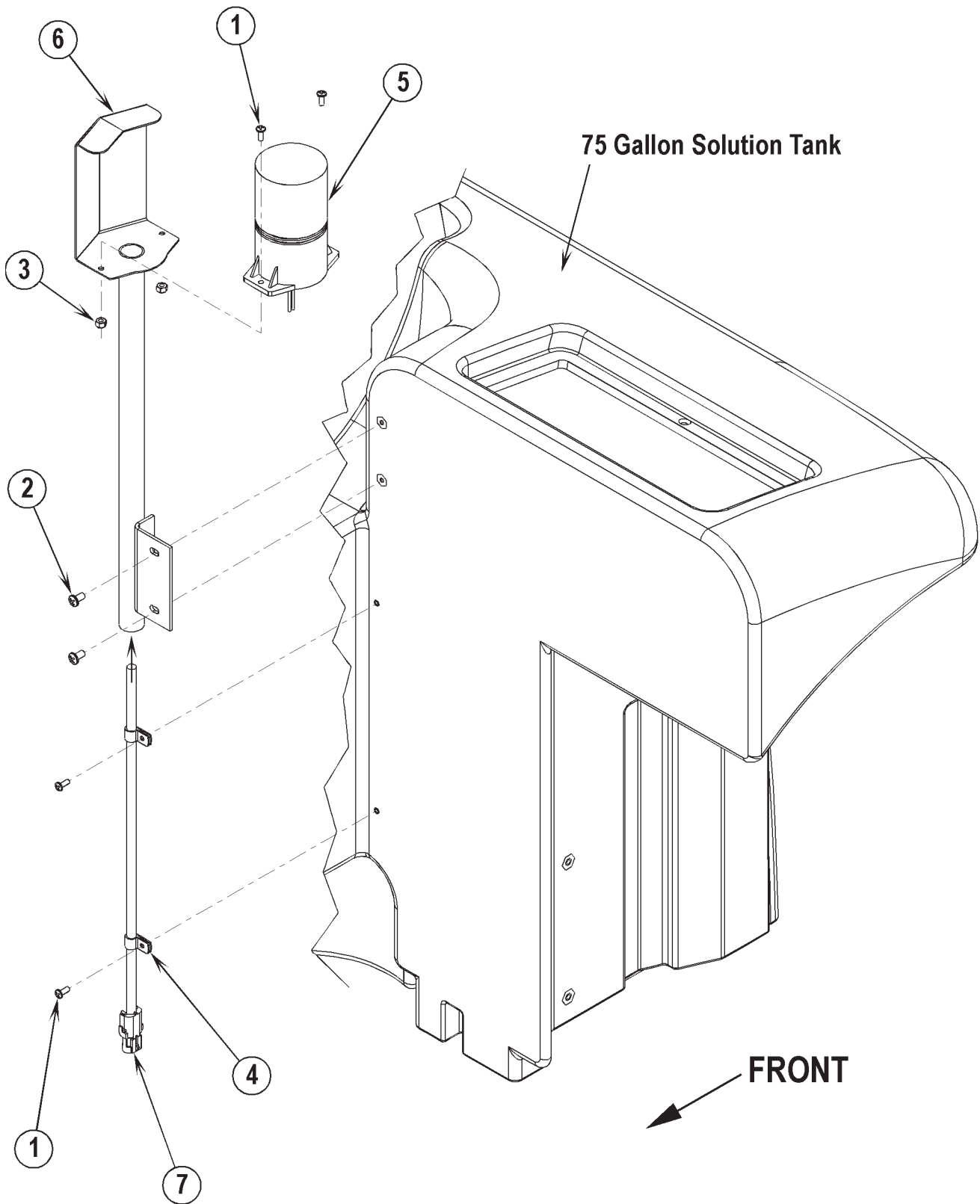
#### WHEN ORDERING PARTS

- \* Use the 8 digit numbers from the "Ref. No." columns in this parts list.
- \* Specify the model and serial number of the machine.
- \* Use the space below to record the model and serial number for future reference.

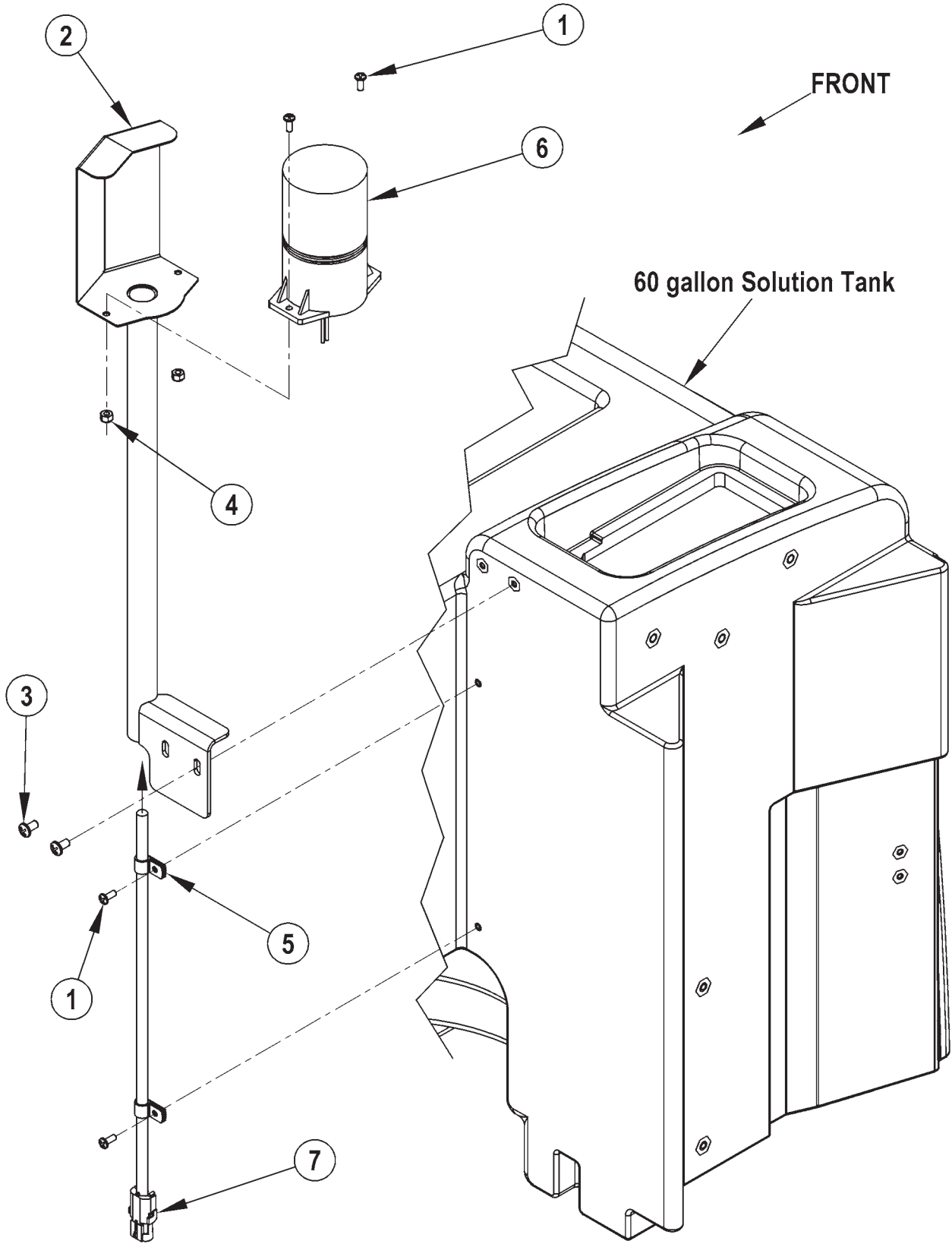
Model \_\_\_\_\_ Serial No. \_\_\_\_\_



Item	Ref. No.	Qty	Description
	56305519		<b>Back-Up Alarm Kit (engine models) (Standard on Nilfisk Models)</b>
	56040800	1	Instruction Sheet
1	56462366	1	Back-Up Alarm
2	56409495	1	Wire Assembly, Pigtail
3	56409538	2	Terminal Insulator
4	56002155	2	Scr, Hex 1/4-20 x .75
5	56002708	2	Nut, Hex Nyl Loc 1/4-20
6	56002098	2	Wsh, Flt 1/4
	56303355		<b>Back-Up Alarm Kit (battery models) (Standard on Nilfisk Models)</b>
	56040800	1	Instruction Sheet
1	56409232	1	Back-Up Alarm
2	56409495	1	Wire Assembly, Pigtail
3	56409538	2	Terminal Insulator
4	56002155	2	Scr, Hex 1/4-20 x .75
5	56002708	2	Nut, Hex Nyl Loc 1/4-20
6	56002098	2	Wsh, Flt 1/4



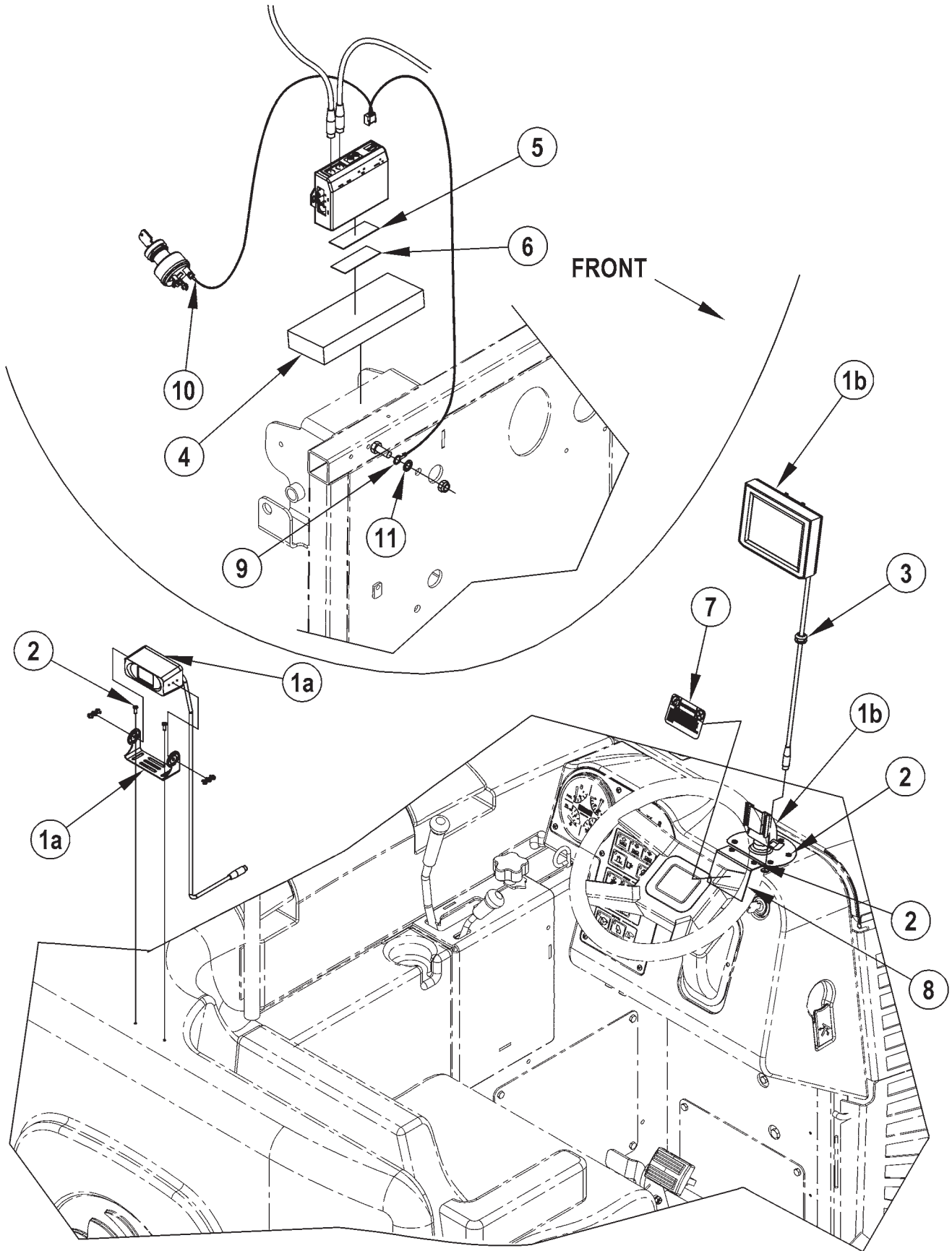
Item	Ref. No.	Qty	Description
	56305482		<b>Beacon Kit (Standard on Nilfisk Models with 75 gallon Solution Tank)</b>
	56040802	1	Instruction Sheet
1	56001993	4	Scr, Pan Phil 10-24 x .50
2	56002145	2	Scr, Pan Phil 1/4-20 x .50
3	56002768	2	Nut, Hex Nyl Loc 10-24
4	56172017	2	Clamp, P
5	56305223	1	Beacon, Warning
6	56305481	1	Tube Weldment
7	56305513	1	Harness, Beacon



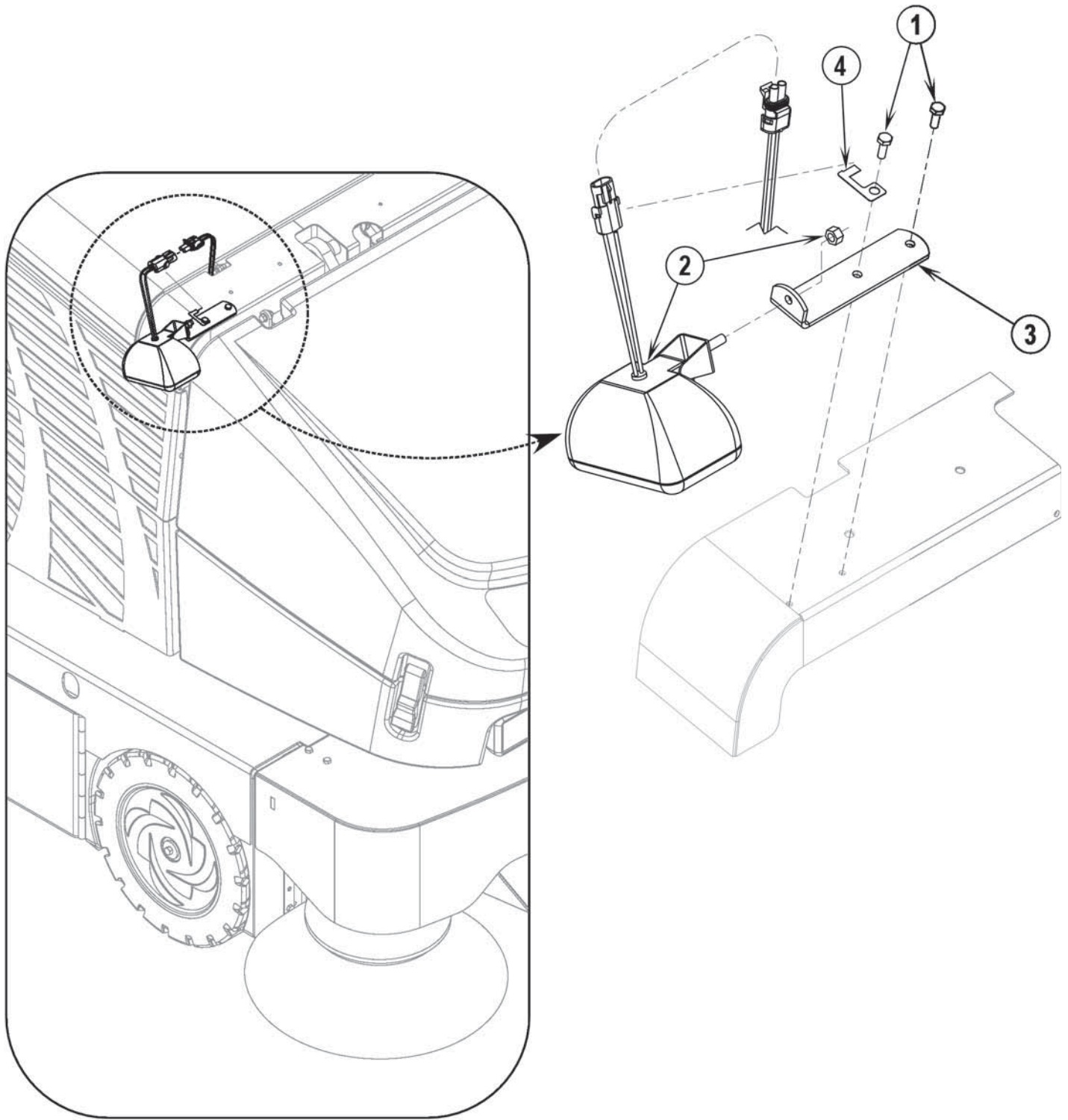
Item	Ref. No.	Qty	Description
	56305881	1	<b>Beacon Kit (60 Gal) (Standard on Nilfisk Models with 60 gallon Solution Tank)</b>
*	56040802	1	Instruction Sheet
1	56001993	4	Scr, Pan Phil 10-24 x .50
2	56305883	1	Beacon Mount Weldment
3	56002145	2	Scr, Pan Phil 1/4-20 x .50
4	56002768	2	Nut, Hex Nyl Loc 10-24
5	56172017	2	Clamp, P
6	56305223	1	Beacon, Warning
7	56305513	1	Harness, Beacon



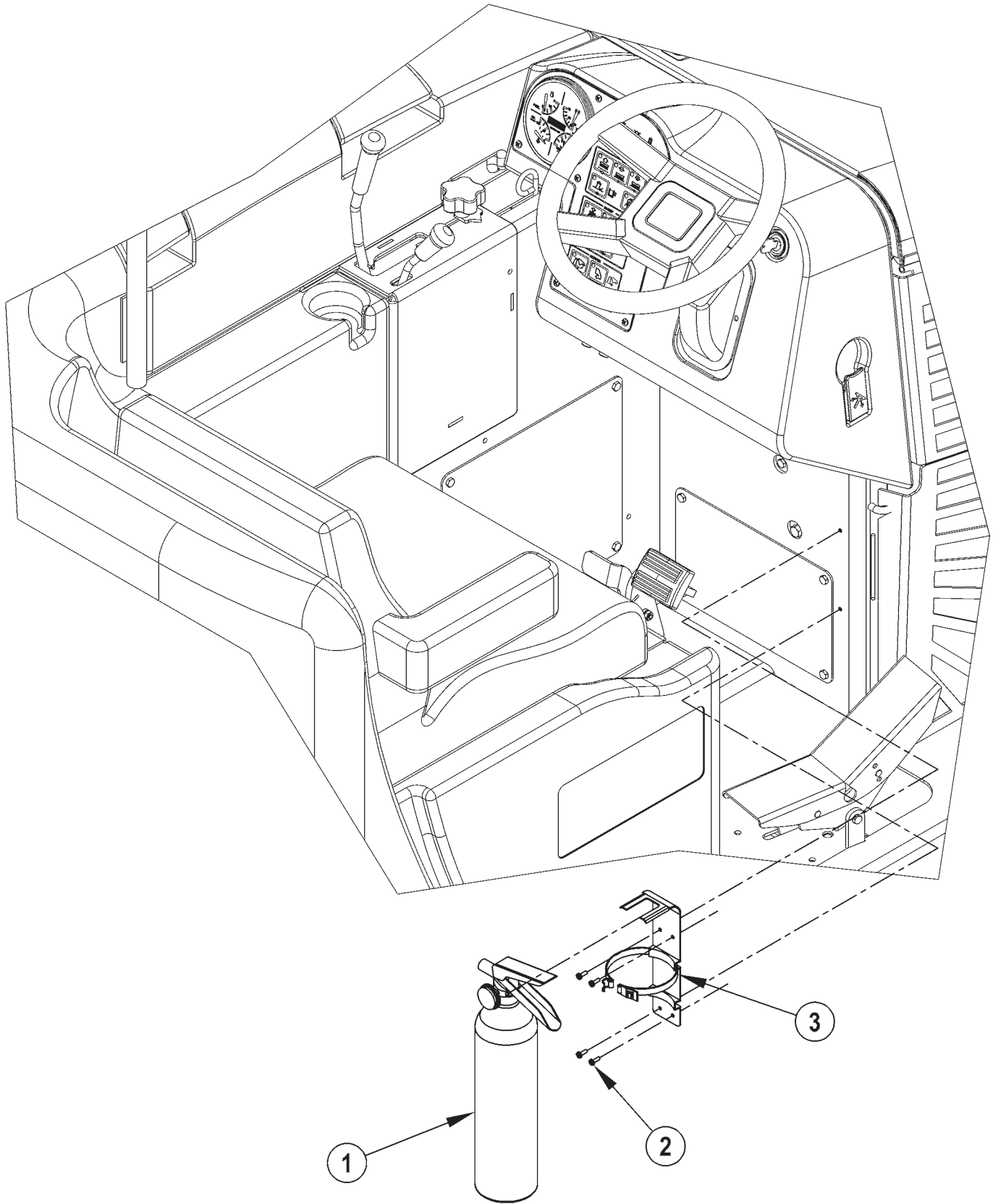
Item	Ref. No.	Qty	Description
	56305652		<b>Both Side Broom Guard Kit (items A-B)</b>
A	56305494	1	<b>Left Side Broom Guard Kit</b>
1	56001831	2	Scr, Hex Hd 1/2-13 x 1.25
2	56001895	2	Scr, Hex Hd 1/2-13 x 1.00
3	56002843	2	Nut, Hex Nyl Loc-Thin 1/2-13
4	56003266	2	Ring, Ret Ext Type E .75 Dia.
5	56409335	1	Bumper
6	56409336	1	Pin
7a	56305322	1	Left S.B. Guard Weldment
*	56040815	1	Instruction Sheet
B	56305495	1	<b>Right Side Broom Guard Kit</b>
1	56001831	2	Scr, Hex Hd 1/2-13 x 1.25
2	56001895	2	Scr, Hex Hd 1/2-13 x 1.00
3	56002843	2	Nut, Hex Nyl Loc-Thin 1/2-13
4	56003266	2	Ring, Ret Ext Type E .75 Dia.
5	56409335	1	Bumper
6	56409336	1	Pin
7b	56305321	1	Right S.B. Guard Weldment
*	56040815	1	Instruction Sheet



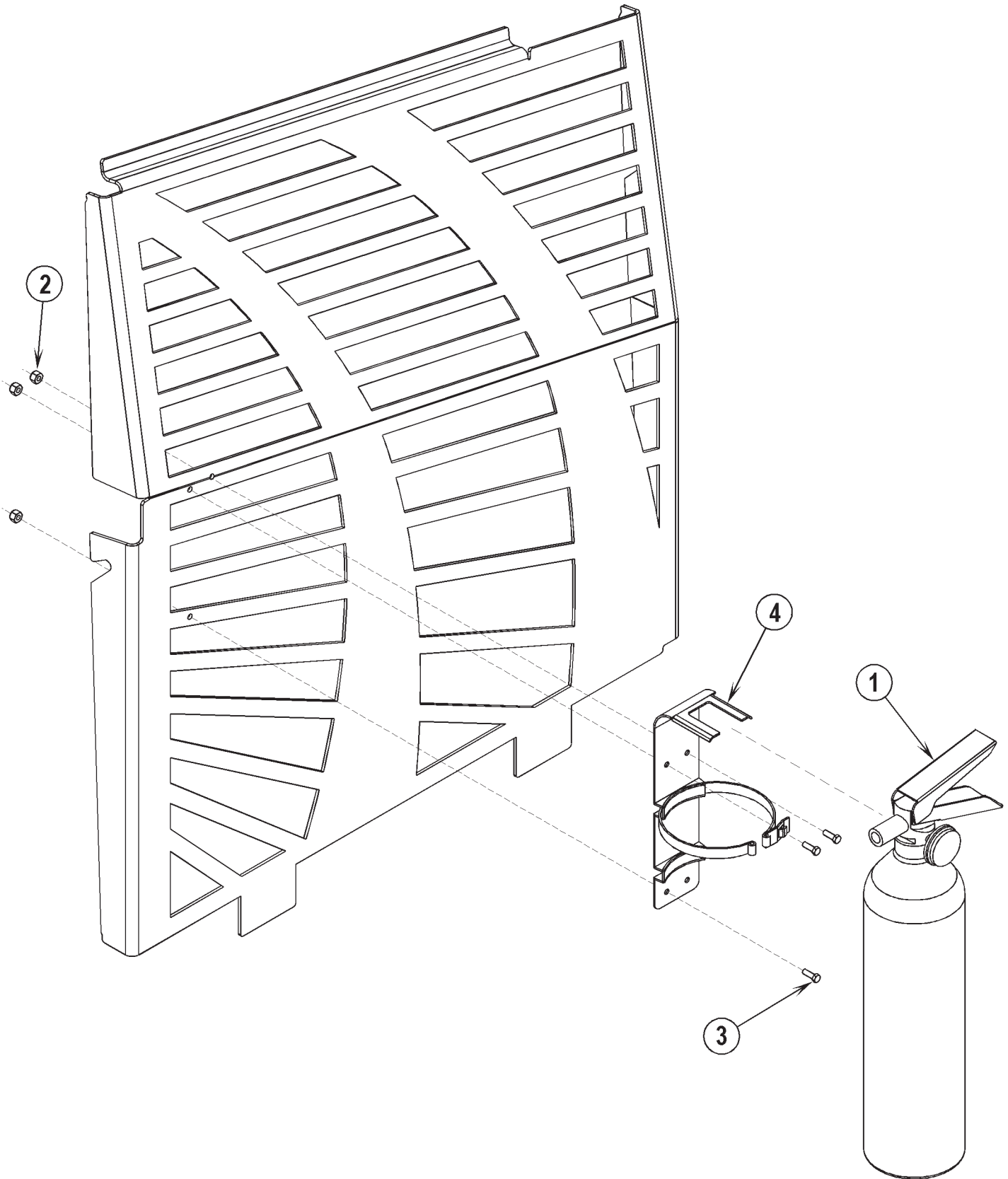
Item	Ref. No.	Qty	Description
	56305643	1	<b>Rearview Camera Kit</b>
*	56040814	1	Instruction Sheet
1	56305646	1	Camera Assembly
1a	56305690	1	Camera
1b	56305691	1	Monitor
1c	56305692	1	Control Box
1d	NA	1	Extension Cable, 10'
1e	NA	1	Wiring Harness
2	56003093	9	Scr, Pan Plastite 8-15 x .50
3	56168744	1	Grommet
4	56305706	1	Foam Pad
5	56305709	1	Velcro, Hook
6	56305708	1	Velcro, Loop
7	56015830	1	Decal, Monitor
8	56305707	1	Plate
9	56305741	1	Terminal, Ring, 3/8
10	56328082	1	Terminal, Ring #8
11	56009112	1	Wsh, Int SHPRF 3/8



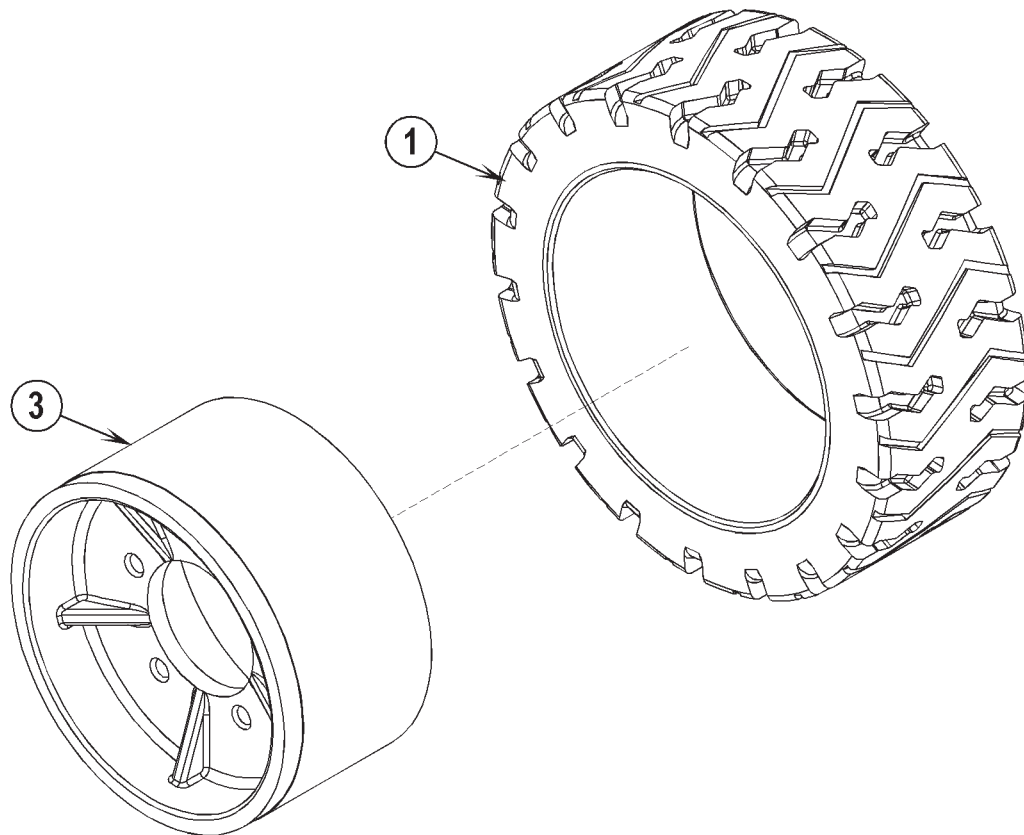
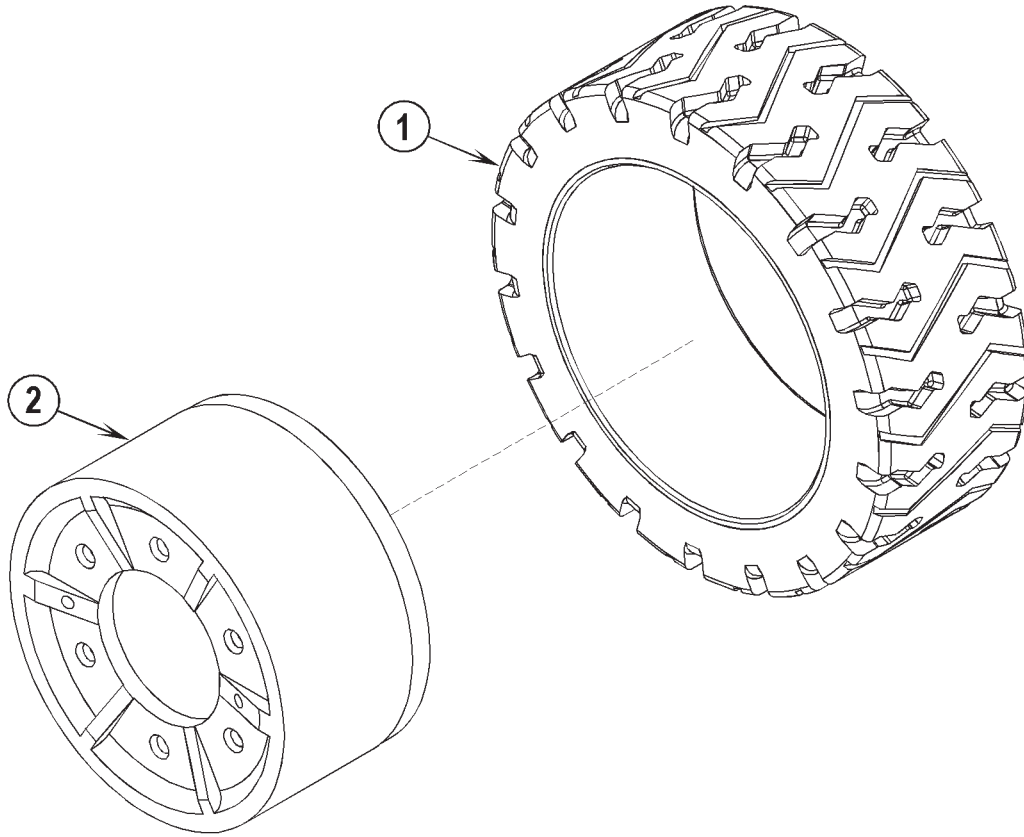
<b>Item</b>	<b>Ref. No.</b>	<b>Qty</b>	<b>Description</b>
	56305641	1	<b>Curb Light Kit</b>
*	56040811	1	Instruction Sheet
1	56009018	2	Scr, Hex Thd Form 1/4-20 x .75
2	56304768	1	Lamp, 12V
3	56305648	1	Bracket
4	56409769	1	Clip, Weatherpack Mount



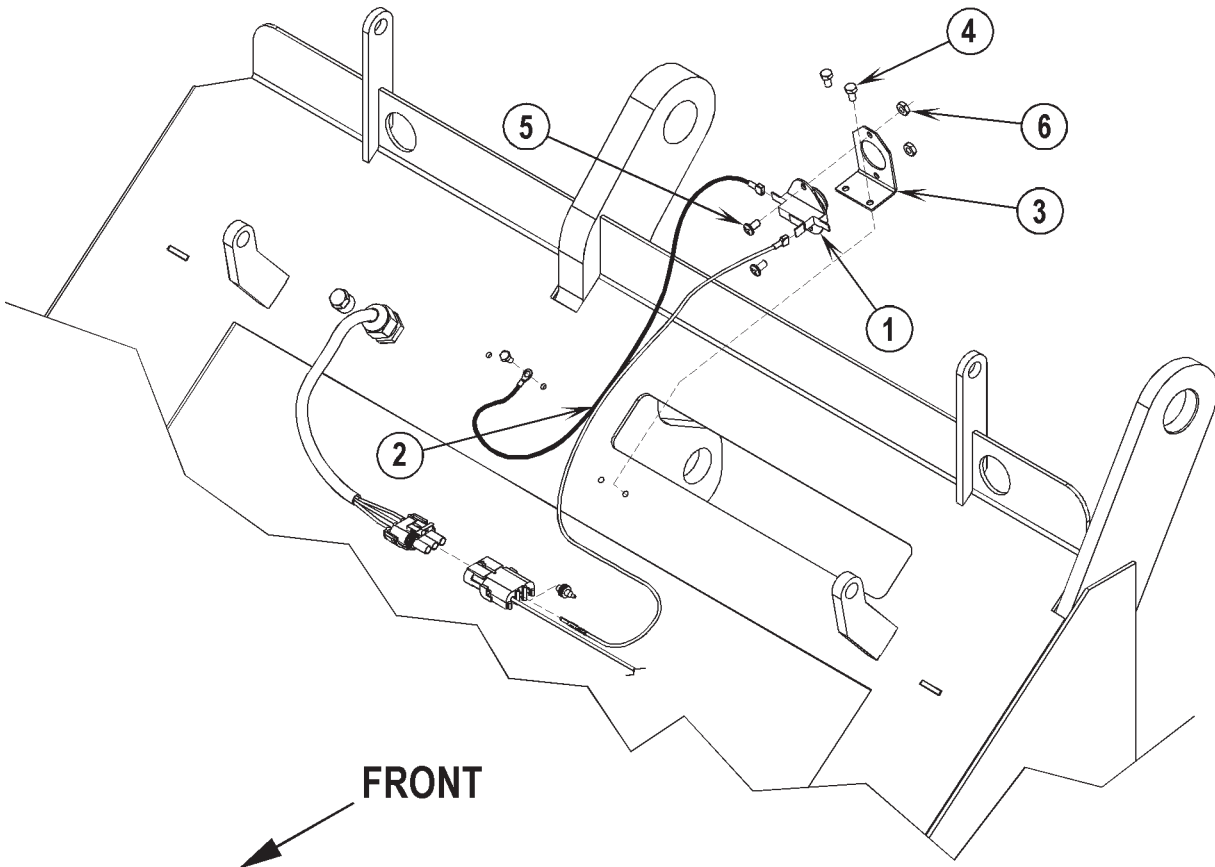
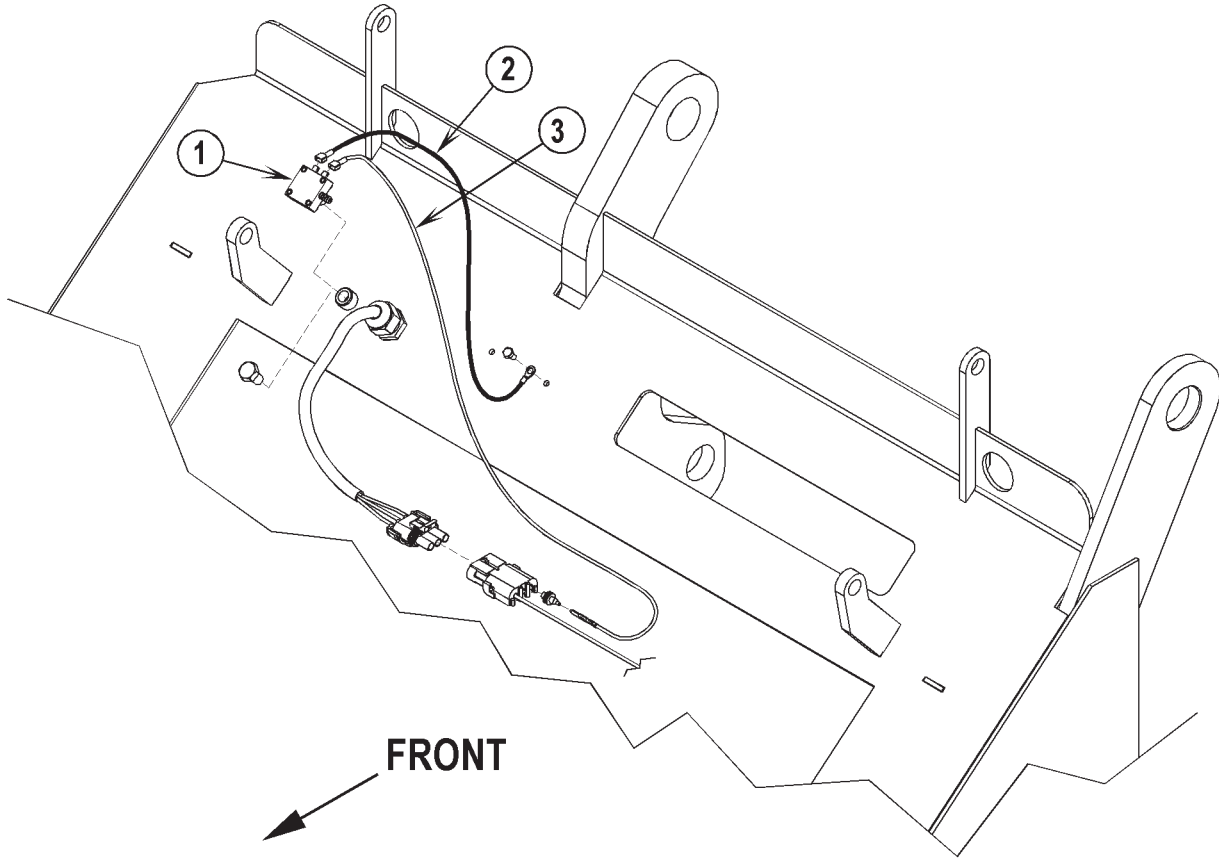
Item	Ref. No.	Qty	Description
	56305621	1	Fire Extinguisher Kit (engine models)
	56040807	1	Instruction Sheet
1	56305625	1	Fire Extinguisher
2	56009031	4	Scr, Pan Phil Thd Form 8-32 x .50
3	56305639	1	Bracket, Fire Extinguisher



Item	Ref. No.	Qty	Description
	56303431	1	Fire Extinguisher Kit (battery models)
	56040826	1	Instruction Sheet
1	56305625	1	Fire Extinguisher
2	56002808	3	Nut, Hex Nyl Loc 8-32
3	56003007	3	Scr, Hex Hd 8-32 x .50
4	56305639	1	Bracket, Fire Extinguisher

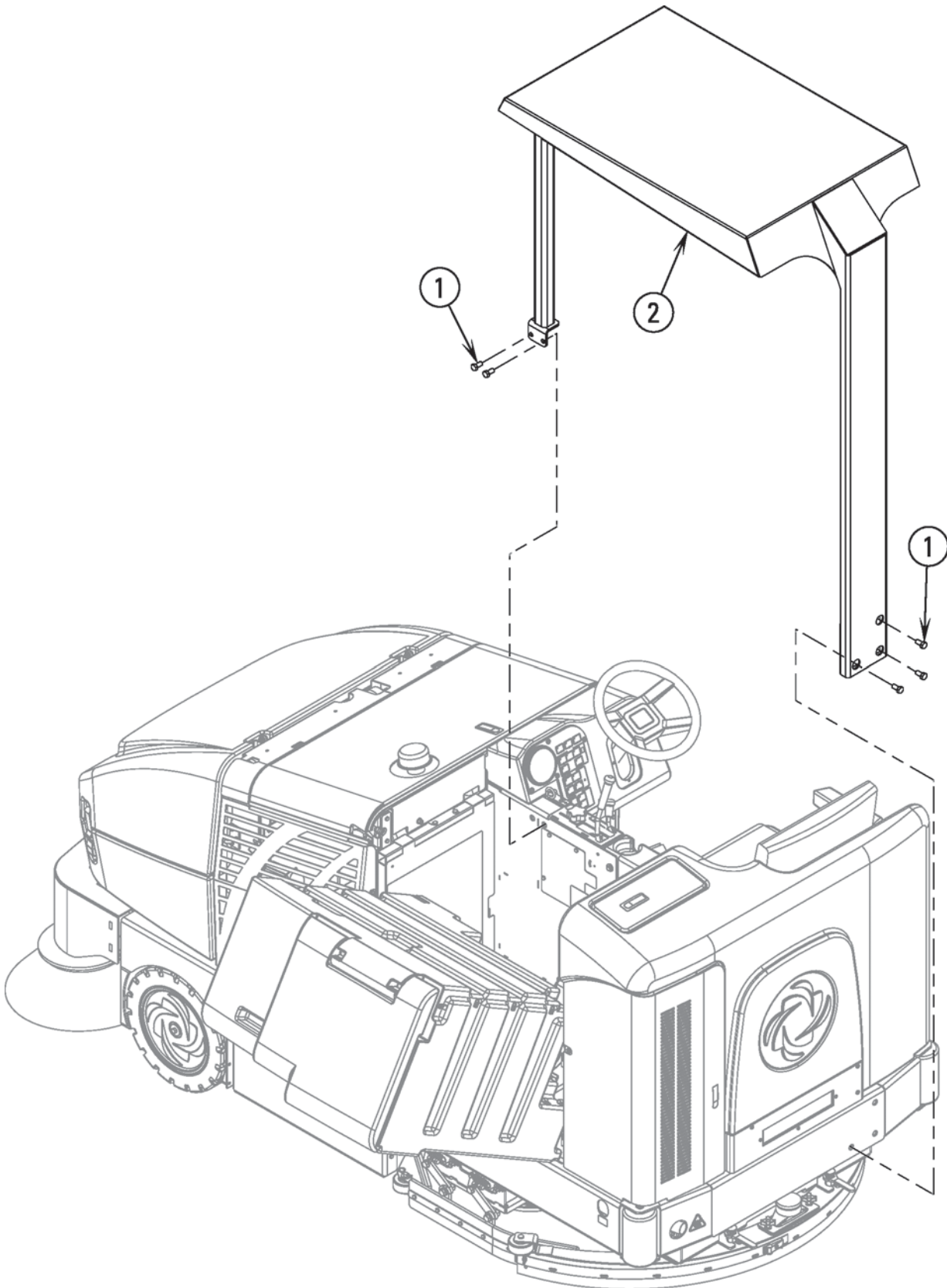


Item	Ref. No.	Qty	Description
1	56304025	1	High Durability Drive Tire
	56304044	1	High Durability Rear Wheel Assembly (engine models)
1	56304025	1	High Durability Drive Tire
2	56304027	1	Rear Hub
	56303028	1	High Durability Rear Wheel Assembly (battery models)
1	56304025	1	High Durability Drive Tire
3	56303029	1	Rear Hub



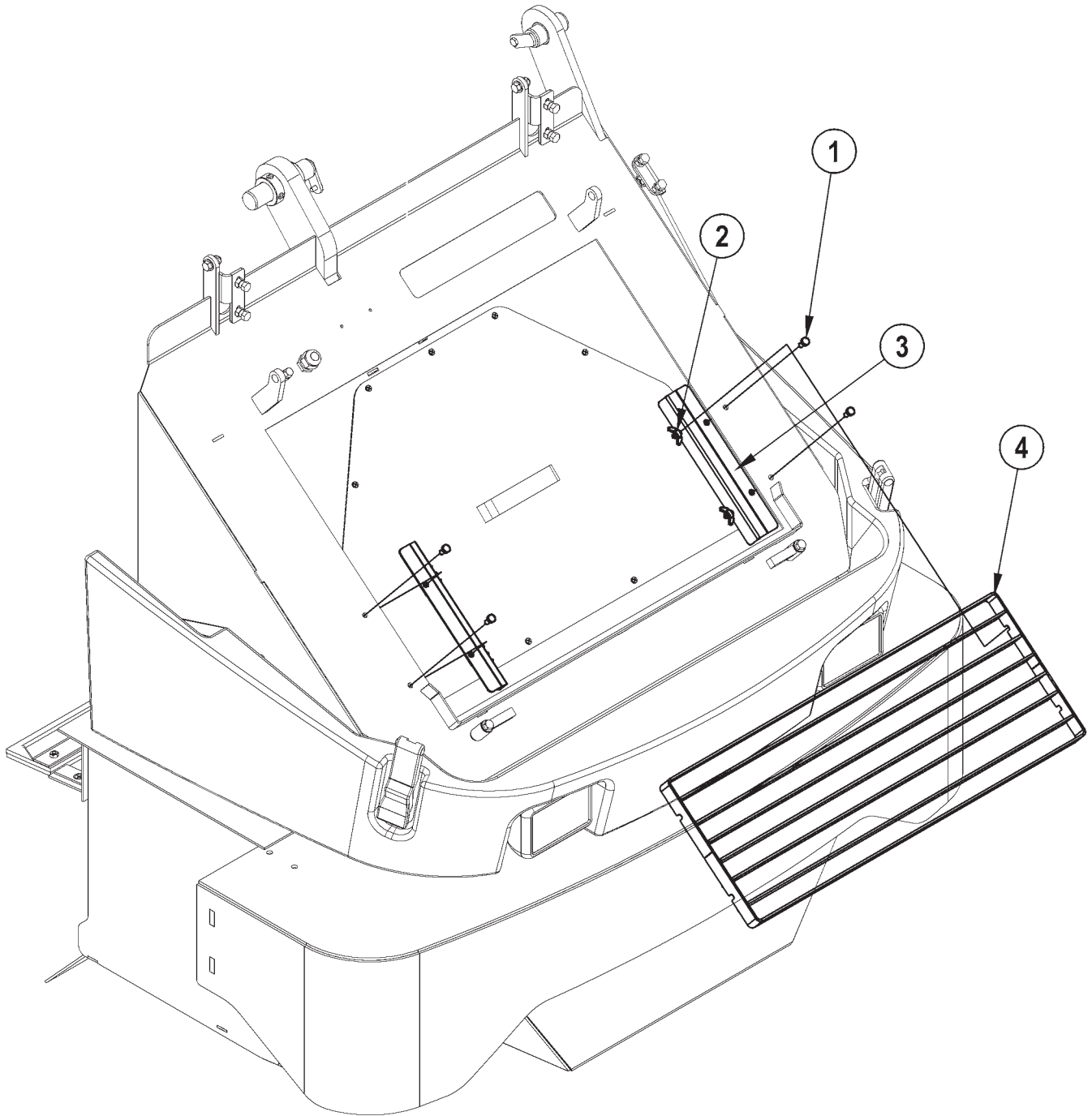
Item	Ref. No.	Qty	Description
	56305517	1	<b>Hopper Filter Switch Kit</b>
*	56040801	1	Instruction Sheet
*	56478246	2	Cable Tie
1	56305518	1	Switch, Vacuum
2	56305479	1	Blk 18-2 Wire Assembly
3	56305478	1	Wht/Gra 18-2 Wire Assembly
	56305509	1	<b>Temperature Switch Kit</b>
*	56040799	1	Instruction Sheet
1	56418405	1	Switch Temperature
2	56304760	1	Harness, Temperature Switch
*	56478246	2	Cable Tie
3	56418440	1	Bracket
4	56009012	2	Scr, Hex Thd Frm 10-24 x .38
5	56002043	2	Scr, Pan Phil 10-24 x .38
6	56002832	2	Nut, Hex Nyl Loc-Thin 10-24

\* = Not Shown

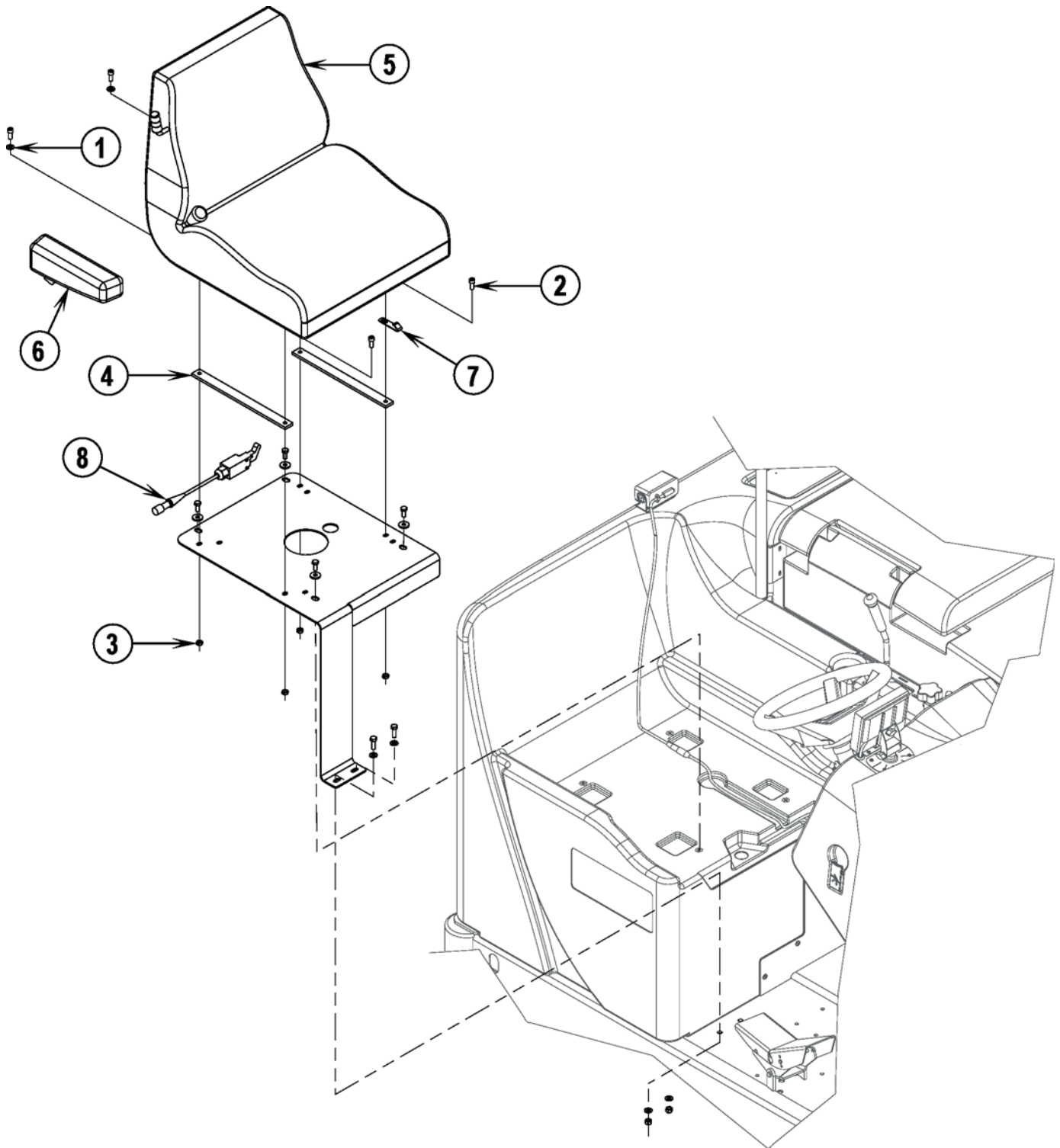


Item	Ref. No.	Qty	Description
	56305637	1	<b>Overhead Guard Kit</b>
*	56040810	1	Instruction Sheet
1	56003083	5	Scr, Hex Hd Loc 1/2-13 x 1.00 (Grade 5)
2	56304862	1	Weld't, Overhead Guard
*	56305687	1	Trim (Pre-assembled to item 2 oval cutout)
*	56305705	2	Trim (Pre-assembled to item 2)

\* = Not Shown

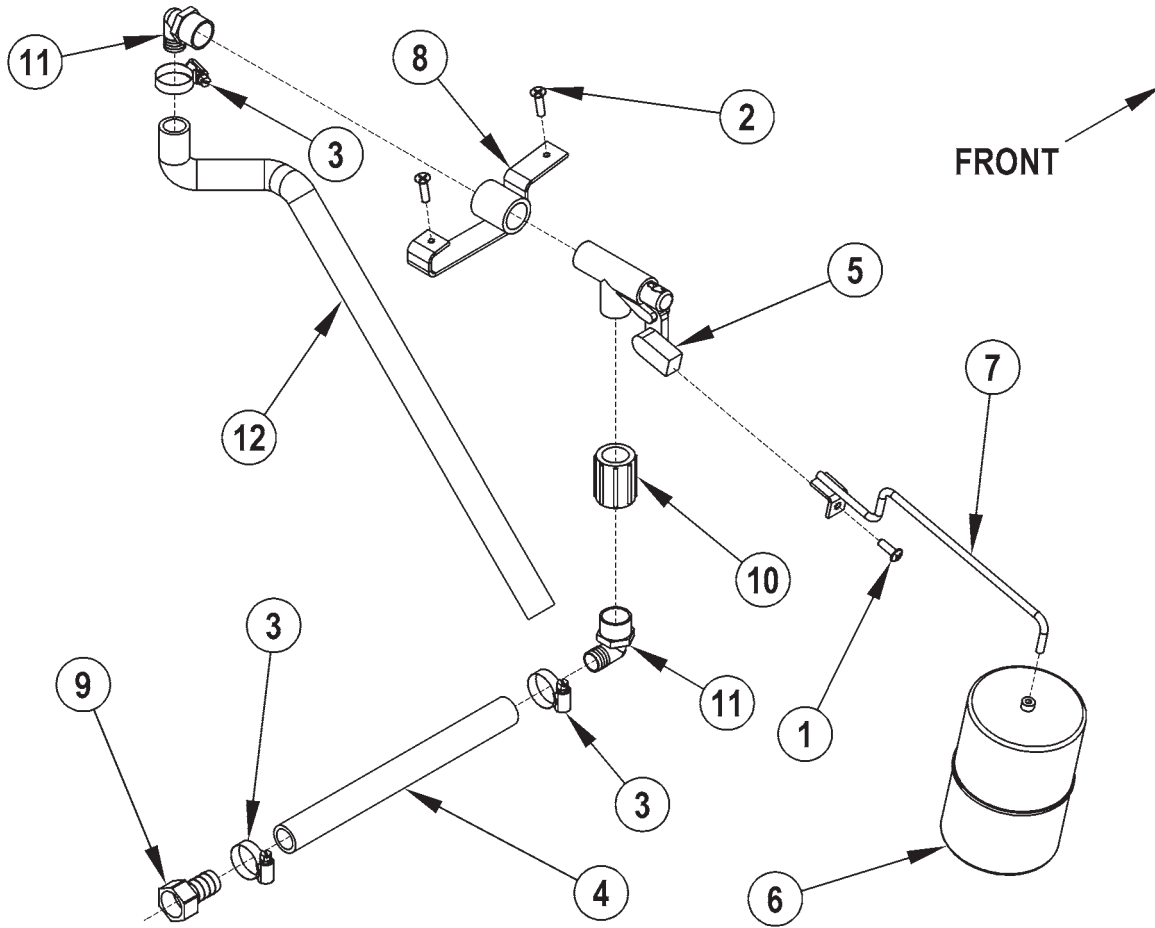


Item	Ref. No.	Qty	Description
	56305794	1	Pre-Filter Grid Kit
*	56040819	1	Instruction Sheet
1	56003039	4	Scr, Hex Hd Loc 1/4-20 x .50
2	56009048	4	Nut, Wing Loc 1/4-20
3	56305875	2	Bracket, Pre-Filter
4	56305887	1	Grid Weldment



Item	Ref. No.	Qty	Description
	56305611	1	<b>Grammer Seat Kit (engine models)</b>
*	56040817	1	Instruction Sheet
1	56001939	2	Wsh, Flt SAE 5/16
2	56001959	4	Scr, Soc Hd 5/16-18 x .75
3	56002826	4	Nut, Hex Nyl Loc-Thin 5/16-18
4	56305191	2	Spacer, Seat
5	56305612	1	Seat, Grammer
6	56305613	1	Armrest, Grammer RH
7	56305934	1	Slide, Stop Seat

Item	Ref. No.	Qty	Description
	56303381	1	<b>Grammer Seat Kit w/Switch (battery models)</b>
1	56001939	2	Wsh, Flt SAE 5/16
2	56001959	4	Scr, Soc Hd 5/16-18 x 0.75
3	56002826	4	Nut, Hex Nyl Loc-Thin 5/16-18
4	56305191	2	Spacer, Seat
5	56305612	1	Seat, Grammer
6	56305613	1	Armrest, Grammer RH
7	56305934	1	Slide, Stop Seat
8	56303533	1	Switch, Grammer Seat



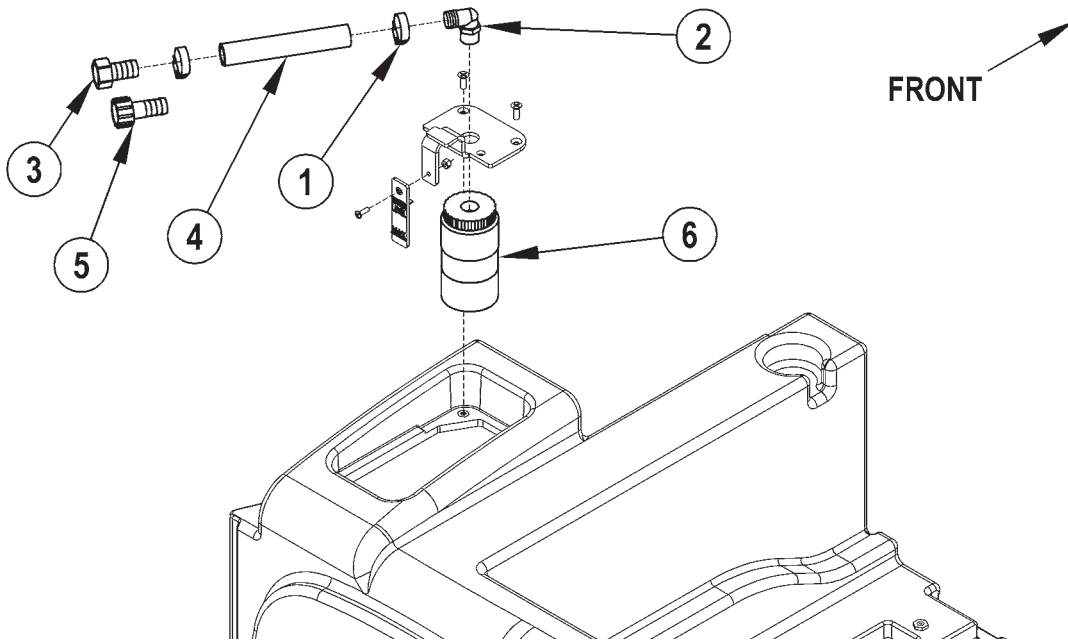
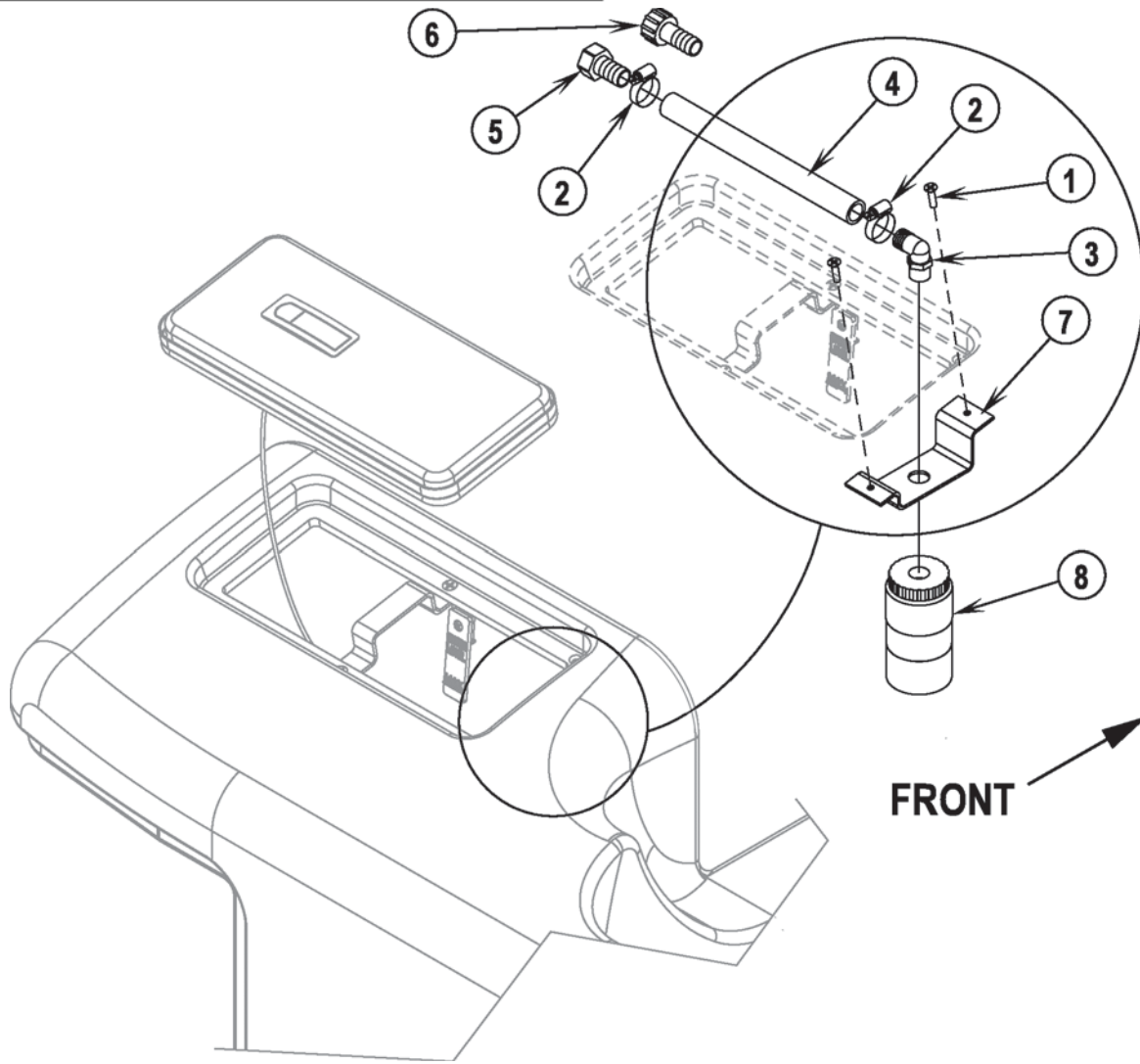
04-3

**SOLUTION FILL SHUTOFF KIT (OBSOLETE)****BOOK E**

04-4

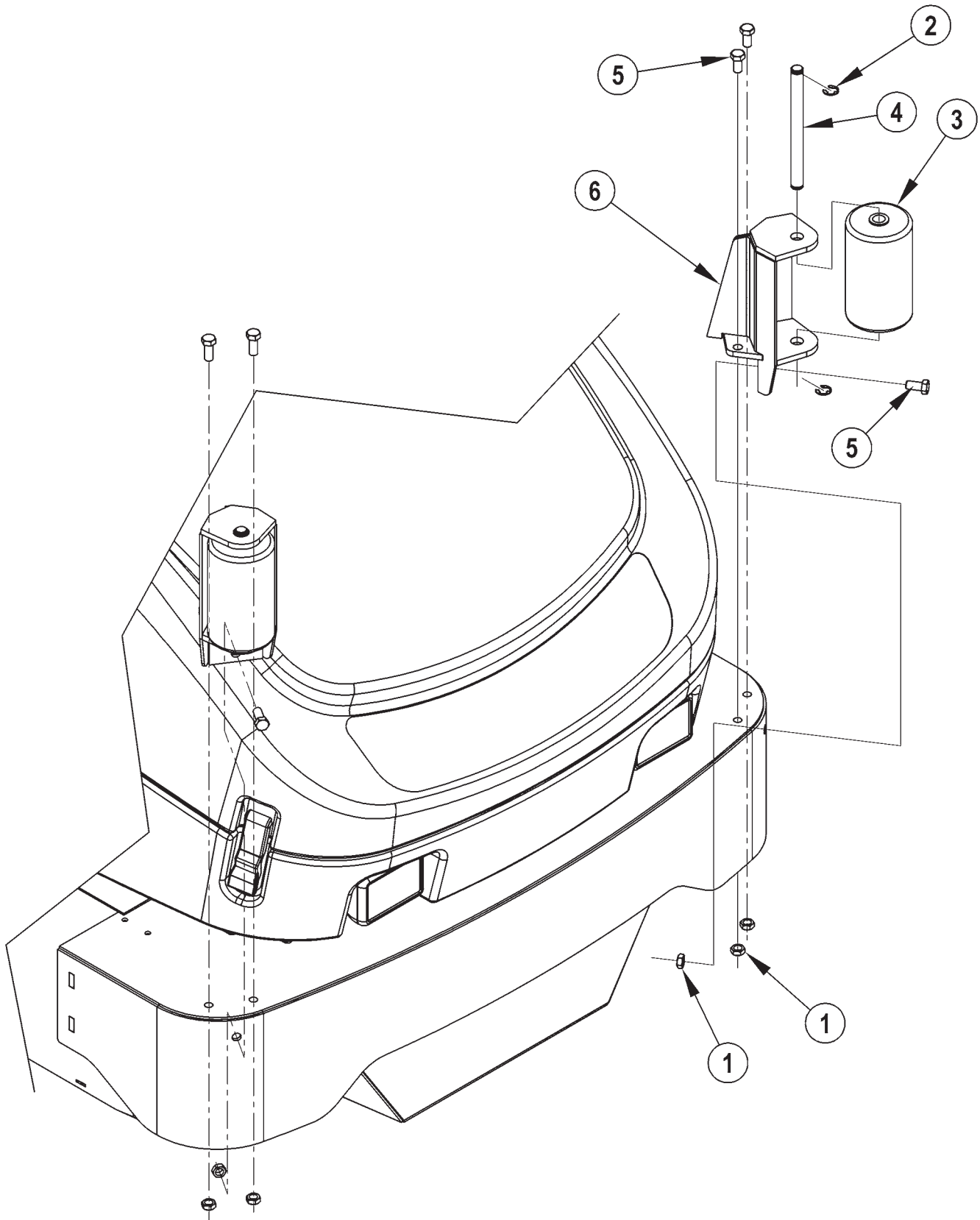
**ACCESSORIES for Captor™/CR 1100, 1200, 1400****E****14.9.1****29**

Item	Ref. No.	Qty	Description
	56305585	1	<b>Solution Fill Shutoff Kit (this kit is obsolete, shown for replacement part purposes only) (kit replaced by 56305896)</b>
*	56040805	1	Instruction Sheet
1	56002957	1	Scr, Pan Phil SS 1/4-20 x .75
2	56003074	2	Scr, Flt Phil SS 1/4-20 x 1.00
3	56244969	3	Clamp, Hose SAE #12
4	56305318	1	Hose, Spiral .750 x 10.50
5	56305566	1	Valve, Float
6	56305572	1	Float, 4 x 6
7	56305586	1	Float Arm Weldment
8	56305592	1	Coupling Weldment
9	56305599	1	Fitting, GH to Barb
10	56305636	1	Coupler, 3/4NPT PVC
11	56456802	2	Barb, 90 Elbow 11/16 x 3/4NPT
12	56459674	1	Hose, Spiral .750 x 33"

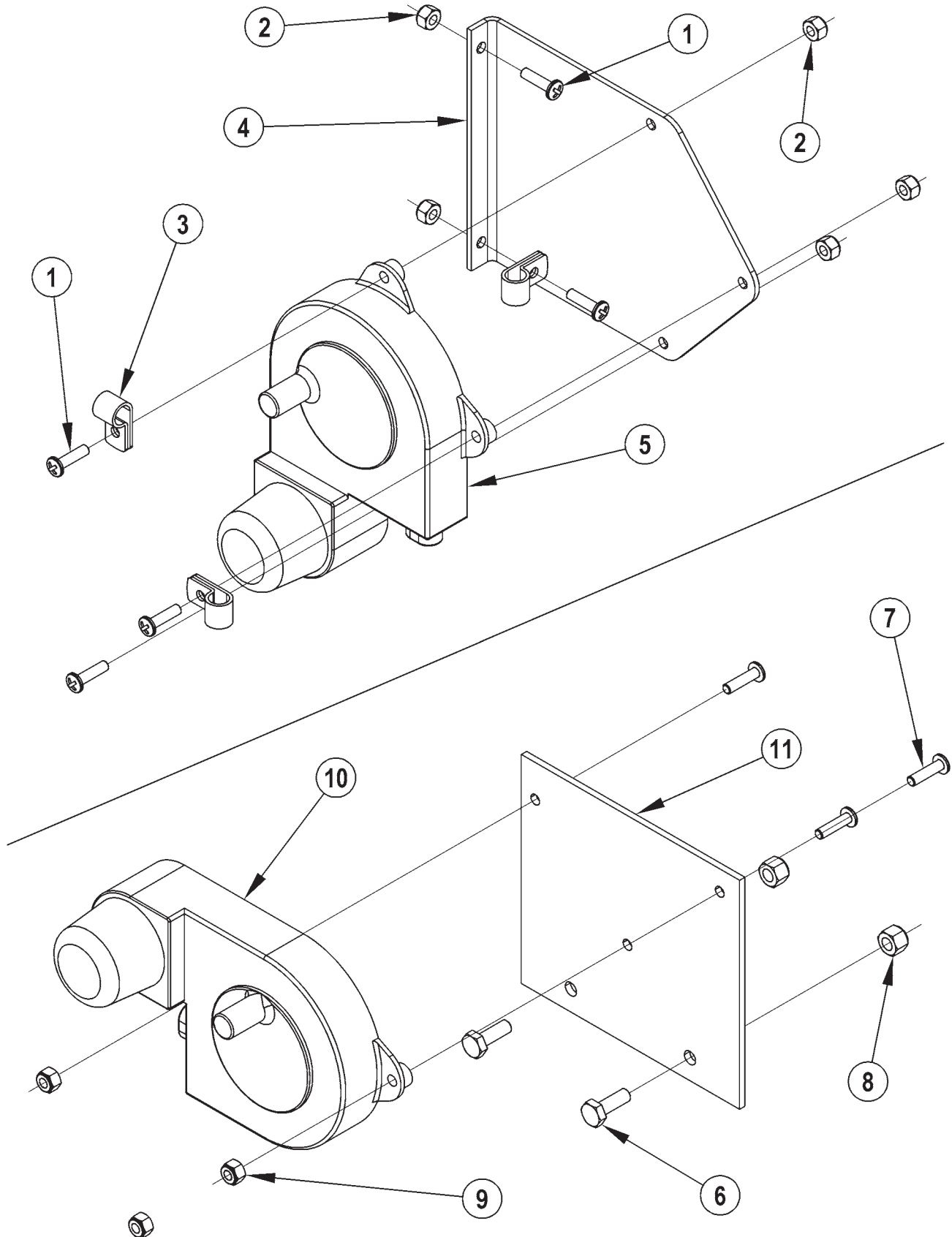


Item	Ref. No.	Qty	Description
	56305896	1	<b>Solution Fill Shutoff Kit</b>
*	56040831	1	Instruction Sheet
1	56003074	2	Scr, Flt Phil SS 1/4-20 x 1.00
2	56244969	2	Clamp, Hose SAE #12
3	56244985	1	Barb, 90 Elbow 3/4 x 1/2NPT
4	56305318	1	Hose, Spiral .75 x 10.50"
5	56305599	1	Fitting, GH to Barb <b>(US)</b>
6	56305835	1	Barb, Female Swivel 3/4-14 GAS x 19mm <b>(European)</b>
7	56305888	1	Bracket
8	56314210	1	Valve, Autofill

Item	Ref. No.	Qty	Description
	56305820	1	<b>Solution Fill Shutoff Kit (60 Gallon)</b>
*	56040831	1	Instruction Sheet
1	56244969	2	Clamp, Hose SAE #12
2	56244985	1	Barb, 90 Elbow 3/4 x 1/2NPT
3	56305599	1	Fitting, GH to Barb <b>(US)</b>
4	56305762	1	Hose, Spiral .750 x 6"
5	56305835	1	Barb, Female Swivel 3/4-14 Gas x 19mm <b>(European)</b>
6	56314210	1	Valve, Autofill

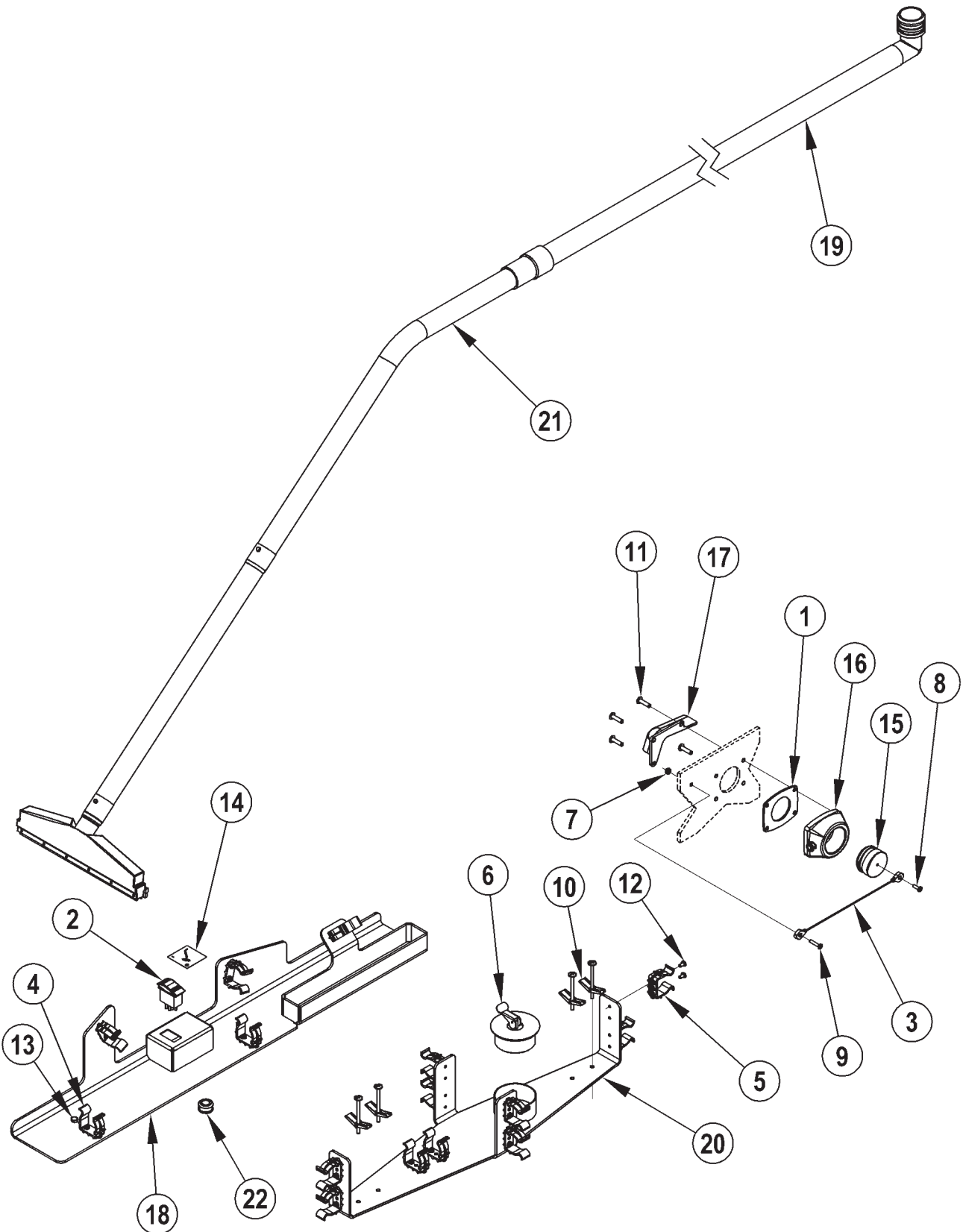


Item	Ref. No.	Qty	Description
	56305493	1	<b>Tower Bumper Kit</b>
*	56040806	1	Instruction Sheet
1	56002843	6	Nut, Hex Nyl Loc-Thin 1/2-13
2	56003266	4	Ring, Ret Ext Type E 0.75 Dia
3	56409335	2	Bumper
4	56409336	2	Pin
5	56001895	6	Scr, Hex Hd 1/2-13 x 1.00
6	56305332	2	Roller Bumper Bracket Weldment



Item	Ref. No.	Qty	Description
	56305628	1	<b>Under-Hood Light Kit (engine models)</b>
*	56040808	1	Instruction Sheet
1	56002192	5	Scr, Pan Phil 10-24 x .75
2	56002768	5	Nut, Hex Nyl Loc 10-24
3	56172017	3	Clamp, P
4	56305626	1	Bracket, Light Mount
5	56305627	1	Trouble Lamp

Item	Ref. No.	Qty	Description
	56303362	1	<b>Trouble Lamp Kit (battery models)</b>
*	56040821	1	Instruction Sheet
6	56002155	2	Scr, Hex Hd 1/4-20 x .75
7	56002192	3	Scr, Pan Phil 10-24 x .75
8	56002708	2	Nut, Hex Nyl Loc 1/4-20
9	56002768	3	Nut, Hex Nyl Loc 10-24
10	56303354	1	Trouble Lamp, 36V
11	56303361	1	Bracket, Trouble Lamp



Item	Ref. No.	Qty	Description
	56305530	1	<b>Vacuum Wand Kit</b>
*	56040809	1	Instruction Sheet
1	56201390	1	Gasket
2	56209321	1	Switch, Rocker DPST
3	56325240	1	Wire Rope, 10 inch
4	56392171	5	Clamp, Plastic
5	56407361	10	Clamp, Plastic
6	56462703	1	Stopper
7	56002849	1	Nut, Hex Nyl Loc-Thin SS 10-24
8	56002896	1	Scr, Pan Phil SS 10-24 x .62
9	56002917	1	Scr, Flt Phil SS 10-24 x 1.00
10	56003676	4	Bolt, Toggle .25 x 3.00
11	56009006	4	Scr, Pan Phil SS Type AB 10-16 x 1.00
12	56009030	30	Scr, Pan Phil Thd Form 10-24 x .38
13	56009033	2	Scr, Hex Thd Form 1/4-20 x .50
14	56015253	1	Decal, Wand
15	56456078	1	Plug
16	56205821	1	Connector Assy 1 1/2
17	56205829	1	Deflector
18	56305529	1	Wand Mount Weldment
19	56305539	1	Hose Assembly
20	56305540	1	Hose Mount Weldment
21	56305605	1	Wand Assembly
22	56453254	1	Grommet





---

**Austria (Sales Sub)**

Nilfisk-Advance GmbH Phone: +43  
Voralberger Allee 46 1616 58 30 22  
A-1230 Wien Fax: +43  
[info@nilfisk-advance.at](mailto:info@nilfisk-advance.at) 1616 58 30 40  
[www.nilfisk-advance.at](http://www.nilfisk-advance.at)

---

**Belgium (Sales Sub)**

Nilfisk-Advance NV/SA Phone: +32  
Doornveld Sphere Business Park (0)2467 60 50  
Industrie Asse 3, No. 11 Fax: +32  
B-1731 Zellik-Asse (0)2463 44 16  
[www.nilfisk-advance.be](http://www.nilfisk-advance.be)

---

**Czech Republic (Sales Sub)**

Nilfisk-Advance s.r.o. Phone: +420  
Lysinská 44/1863 2 44 09 09 12  
143 00 Praha - Modrany +420  
Czech Republic 2 44 09 09 21 4  
Fax: +420  
2 44 40 23 93

---

**Denmark**

Nilfisk-Advance A/S Phone: +45  
Sognevej 25 43 23 81 00  
DK-2605 Brøndby Fax: +45  
[mail@nilfisk-advance.dk](mailto:mail@nilfisk-advance.dk) 43 43 77 00  
[www.nilfisk-advance.com](http://www.nilfisk-advance.com)

---

**Denmark (Prod. Sub)**

Gerni A/S Phone: +45  
Myntevej 2 89 12 22 00  
DK-8900 Randers Fax: +45  
[www.gerni.com](http://www.gerni.com) 86 43 14 81

---

**Denmark (Sales Sub)**

Nilfisk-Advance Nordic A/S Phone: +45  
Sognevej 25A 43 23 40 50  
Postbox 344 Fax: +45  
DK-2605 Brøndby 43 23 40 60  
[kundeservice@nilfisk-advance.dk](mailto:kundeservice@nilfisk-advance.dk)  
[www.nilfisk-advance.dk](http://www.nilfisk-advance.dk)

---

**France (Sales Sub)**

Nilfisk-Advance S.A. Phone: +33  
27 avenue de la Baltique 1695 98 700  
Villebon sur Yvette Fax: +33  
P.B. 246 1695 98 701  
F-91944 Courtaboeuf Cedex  
[info@nilfisk-advance.fr](mailto:info@nilfisk-advance.fr)  
[www.nilfisk-advance.fr](http://www.nilfisk-advance.fr)

---

**Germany (Sales Sub)**

Nilfisk-Advance AG Phone: +49  
Siemensstrasse 25-27 4101 3990  
Postfach 1361 Fax: +49  
D-25462 Rellingen 4101 39 91 91  
[info@nilfisk-advance.de](mailto:info@nilfisk-advance.de)  
[www.nilfisk-advance.de](http://www.nilfisk-advance.de)

---

**Greece (Sales Sub)**

Nilfisk-Advance A.E. Tel.: +30  
8, Thoukididou Str. 210 963 3443  
Argioupoli Fax: +30  
Gr - 164 52 Athens 210 965 0975  
Greece

---

---

**Holland (Sales Sub)**

Nilfisk-Advance B.V. Phone: +31  
Camerastraat 9 (2e verdieping) 36 546 07 00  
1322 BB Almere Fax: +31  
Postbus 60112 36 523 51 48  
1320 AC Almere  
[www.nilfisk-advance.nl](http://www.nilfisk-advance.nl)

---

**Ireland (Sales Sub)**

Nilfisk-Advance Limited Phone: +35  
28 Sandyford Office Park 3 12 94 38 38  
Sandyford, Dublin 18 Fax: +35  
Ireland 3 12 94 38 45

---

**Italy (Prod & Sales Sub)**

CFM SpA Phone: +39  
Nilfisk-Advance Div. Guardamiglio 0377 /414021  
Localita Novella III /45 1124  
I-26862 Guardamiglio (Mi) Fax: +39  
0377 51 443

---

**Italy (Prod & Sales Sub)**

CFM S.p.A. Phone: +39  
Via Porrettana 1991 059 973 0000  
I-41059 Zocca (Modena) Fax: +39  
[cfm@cfm.it](mailto:cfm@cfm.it) 059 973 0099

---

**Norway (Sales Sub)**

Nilfisk-Advance AS Phone: +47  
Ulvenveien 89C 23 06 75 00  
N-0581 Oslo Fax: +47  
23 06 75 01

---

**Poland (Sales Sub)**

Nilfisk-Advance Sp.Z.O.O. Phone: +48  
05-800 Pruszków 22 738 37 50  
ul. 3-go MAJA 8 Fax: +48  
Poland 22 738 37 51

---

**Portugal (Sales Sub)**

Nilfisk-Advance, Lda. Phone: +35  
Sintra Business Park 121 911 2670  
Zona Industrial Da Abrunheira Fax: +35  
Edificio 1, 1o A 121 911 2679  
P-2710-089 Sintra

---

**Russia (Sales Sub)**

Nilfisk-Advance LLC Phone: 7  
Vyatskaya str. 27, bld. 7 095 783 9602  
127015 Moscow Fax: +7  
Russia 095 783 9603

---

**Spain (Sales Sub)**

Nilfisk-Advance S.A. Phone: +34  
Torre D'Ara 93 741 2400  
Passeig del Rengle, 5 Pl.10 Fax: +34  
E-08302 Mataró (Barcelona) 93 757 8020  
[nilfisk@nilfisk-advance.es](mailto:nilfisk@nilfisk-advance.es)

---

**Sweden (Sales Sub)**

Nilfisk -Advance A/S Phone: +46  
Sjöbjörnsvägen 5 8555 94400  
Box 44045 Fax: +46  
S-100 73 Stockholm 8555 94430  
[info@nilfisk-advance.se](mailto:info@nilfisk-advance.se)  
[www.nilfisk-advance.se](http://www.nilfisk-advance.se)

---

---

**Sweden (Prod.)**  
Nilfisk-Advance A/S Phone: +46  
Åmål Branch 5321 7500  
Strömsbergsgatan Fax: +46  
Box 127 5321 7595  
S-662 23 Åmål

---

**Switzerland (Sales Sub)**  
Nilfisk-Advance AG Phone: +41  
Ringsstrasse 19 71 92 38 444  
Kirchberg/Industrie Stelzl Fax: +41  
CH-9500 Wil 71 92 35 283  
[www.nilfisk-advance.ch](http://www.nilfisk-advance.ch)

---

**UK (Sales Sub)**  
Nilfisk-Advance Limited Phone: +44  
Newmarket Road 1284 763163  
Bury St. Edmunds Fax: +44  
UK-Suffolk IP33 3SR 1284 750 562

---

**USA (Prod.)**  
Nilfisk-Advance Inc. Phone: +1 763  
14600 21.st Avenue North 745 3500  
Plymouth, MN 55447-3408 Fax: +1 763  
[www.mn.nilfisk-advance.com](http://www.mn.nilfisk-advance.com) 745 3718

---

**USA (Sales Sub)**  
Nilfisk-Advance America Inc. Phone: +1 610  
300 Technology Drive 647 6420  
Malvern, PA 19355 Fax: +1 610  
[www.pa.nilfisk-advance.com](http://www.pa.nilfisk-advance.com) 647 6427

---

**Canada (Sales Sub)**  
Nilfisk-Advance Canada Comp. Phone: + 1 905  
396 Watline Avenue 712 3260  
Mississauga, Ontario L4Z 1X2 Fax: +1 905  
712 3255

---

**Australia (Sales Sub)**  
Nilfisk-Advance Pty. Ltd. Phone: +61(0)2  
48 Egerton Street 9648 2700  
Silverwater, NSW 2128 Fax: +61(0)2  
*Postal adresse:* 9648 2711  
PO Box 6046  
Silverwater. NSW 1811  
[info@nilfisk-advance.com.au](mailto:info@nilfisk-advance.com.au)  
[www.nilfisk-advance.com.au](http://www.nilfisk-advance.com.au)

---

**China (Shenzhen)**  
Nilfisk-Advance (Shenzhen) Ltd Phone: +86 755  
Blok 3, Unit 130, 1001 Honghua Road 8359 7937 el.  
Int. Commercial & Trade Center 8359 7939-42  
Fuitian Free Trade Zone Fax: +86 755  
518038 **Shenzhen** 8359 1063  
P.R. China

---

**China (Suzhou)**  
Nilfisk-Advance Professional Phone: +86 512  
Cleaning Equipment (Suzhou) Co. Ltd. 8918 5656  
306 Su Hong Zhong Road, Build. 2 Fax: +86 512  
Suzhou Industrial Park 8918 5666  
215021 **Suzhou**  
P.R. China

---

---

**Hong Kong (Sales Sub)**  
Nilfisk-Advance Ltd. Phone: +852  
2001 HK Worsted Mills Ind'l Bldg., 2427 5951  
31-39 Wo Tong Tsui St. Fax: +852  
Kwai Chung, Hong Kong 2487 5828

---

**Japan (Sales Sub)**  
Nilfisk-Advance Inc. Phone: +8145  
3-17-40-101 Chigasaki Higashi 942 7741  
Tsuzuki-ku, Yokohama 224-0033 Fax: +8145  
Japan 942 6545

---

**Malaysia (Sales Sub)**  
Nilfisk-Advance Sdn Bhd Phone: +60 3  
No. 21, Jalan SS 25/41 7956 8188  
Mayang Industrial Park Fax: +60 3  
47301 Petaling Jaya 7966 6828  
Selangor, Malaysia

---

**New Zealand (Sales Sub)**  
Nilfisk-Advance Limited Phone: +64(0)9  
Danish House 525 0092  
6 Rockridge Avenue Fax: +64(0)9  
Penrose 92-829 525 6440  
Auckland1135  
Postal addresse:  
Private Bag 92 825  
Auckland  
New Zealand

---

**Singapore (Sales Sub)**  
Nilfisk-Advance Pte. Ltd. Phone: + 65  
22,Woodlands Industrial Park E1 6 7599100  
Singapore 757740 Fax: +65  
[sales@nilfisk-advance.com.sg](mailto:sales@nilfisk-advance.com.sg) 7599133

---

**Taiwan, ROC (Sales Sub)**  
Nilfisk-Advance Ltd. Phone: +886  
Taiwan Branch (H.K.) 2 2239 8812  
1F, No. 193, Sec.2 Fax: +886  
Xing Long Rd., Taipei 2 2239 8832  
Taiwan, R.O.C.

---

**Thailand (Sales Sub)**  
Nilfisk-Advance Co. Ltd. Phone: +66 2  
89 Soi Chokechai-Ruammitr 275-5630  
Viphavadee-Rangsit Road Fax: +66 2  
Ladyao, Jatuchak, Bangkok 10900 691-4079  
Thailand



[www.nilfisk-advance.com](http://www.nilfisk-advance.com)

© 2005 Printed in USA