



Electronic Service Manuals

This electronic document is provided as a service to our customers. We do not create the contents of the information contained in this document. Should you have detailed questions pertaining to the information contained in this document, you may contact Michco, or the manufacturer which provided the original information in this electronic deliverable. Michco's only part in this electronic deliverable was the electronic assembly process.

You may contact Michco through the following methods:
Phone (517) 484-9312 or (800) 331-3339 MI, OH, IN only
2011 N. High St. -- Lansing, Michigan -- 48906
Fax: (517) 484-9836
Email: CustServ@Michco.com
Web site: www.Michco.Com
Parts Web site: www.FloorMachineParts.Com

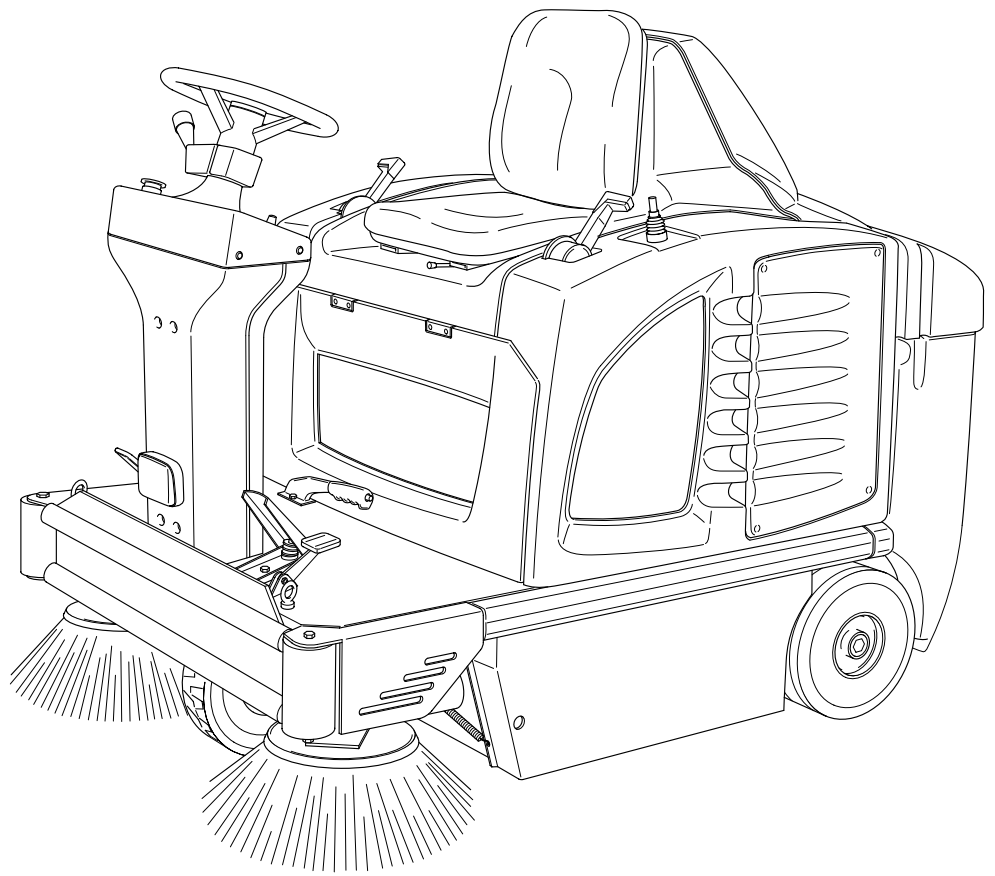
Order Parts on Line at:
www.FloorMachineParts.Com

Directly to Parts & Service:
By Email: **Shop@Michco.com**
By Fax: (517) 702-2041
By Voice: Use numbers above.

Serving the Cleaning Industry Since 1922

Notice: All copyrighted material remains property of original owners, all trademarks are property of respective owners. Manuals are subject to Manufacturer's reproduction limitations. Originals or reproductions were provided by manufacturers through a request. We make no warranty as to the correctness of information provided in this document and you assume all risk.

1300 B/ECO



PART LIST
Advance MODELS 908 3013 010, 908 3301 010

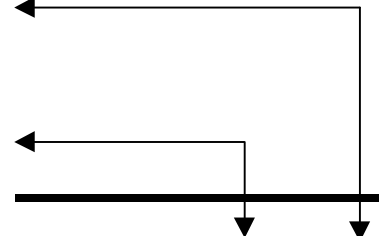
	INDEX	
--	-------	--

56042400(1)00-03 Advance SR 1300 B Model 908 3013 010 – Advance Model SR 1300 Eco Model 908 3301 010

FRAME ASSEMBLY	3-4
FRAME ASSEMBLY	5-6
FRONT COVER ASSEMBLY	7-8
TRACTION ASSEMBLY	9-10
STEERING ASSEMBLY	11-12
CONTROL PEDAL & LEVER	13-14
REAR COVER & FILTER	15-16
MAIN BRUSH	17-18
ENGINE ASSEMBLY	19-20
SIDE BRUSH ASSEMBLY	21-22
HYDRAULIC SYSTEM	23-24
WASTE CONTAINER ASSEMBLY	25-26
ELECTRONIC ASSEMBLY	27-28
ACCESSORIES (OPT 1 & OPT 2)	29-30
ACCESSORIES (OPT 3)	31-32
LIST OF RECOMMENDED SPARE PARTS	33-34
ELECTRICAL DIAGRAM SR 1300 B / 1300 ECO	35

VERSIONE A BENZINA
ECO VERSION
MODELE A CARBURANT
BENZINVERSION

VERSIONE A BATTERIA
BATTERY VERSION
VERSION A BATTERIE
BATTERIE MODELL



POSIZ ITEM POS EINSAT	CODICE CODE CODE NUMMER	INTERNO INTERNAL INTERIEUR INTERNE	DESCRIZIONE DESCRIPTION DESCRIPTION BEZEICHNUNG	B	ECO
1	145 5650 000		TELAIO / FRAME / CHASSIS / RAHMEN	1	1
2	145 5667 000		SUPPORTO PORTELLI LATERALI / SUPPORT / SUPPORT / HALTER	2	2
3	145 5668 000		PORTELLO DESTRO / RIGHT HATCH / REGARD DR. / REC. KLAPPE	1	1
4	#145 5669 000		PORTELLO SINISTRO / LEFT HATCH / REGARD GAU. / LIN. KLAPPE	1	1
5	145 1966 000		RUOTA PARACOLPI / WHEEL / ROUE / RAD	2	2

New Code No

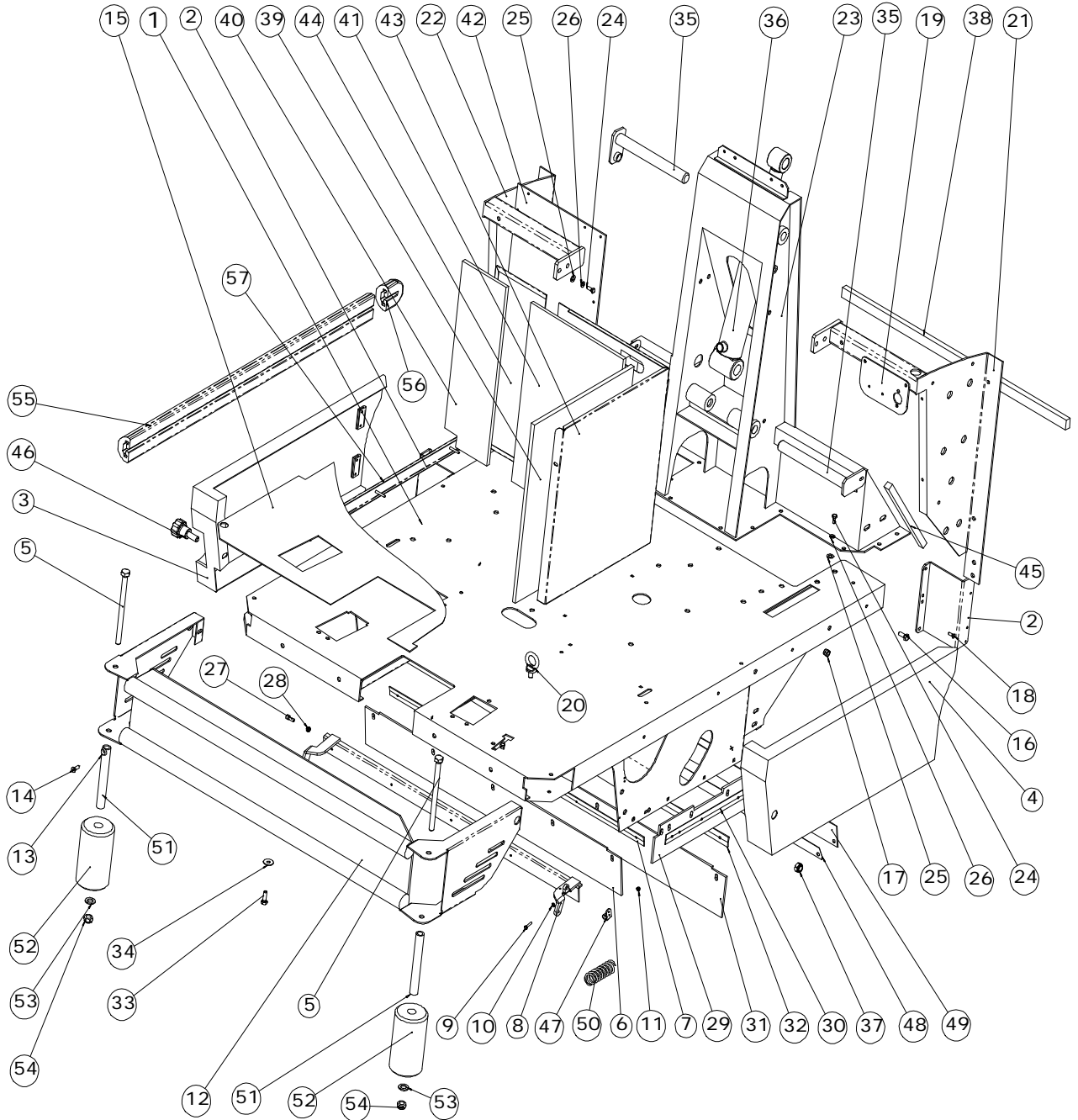
WHEN ORDERING PARTS

Specify the model and the serial number of the machine
Use the space below to record the model and serial number for future reference
Model _____ Serial Number _____

FRAME ASSEMBLY

56042400(1)00-03

Advance SR 1300 B Model 908 3013 010 – Advance Model SR 1300 Eco Model 908 3301 010



FRONT COVER ASSEMBLY

56042400(1)00-03

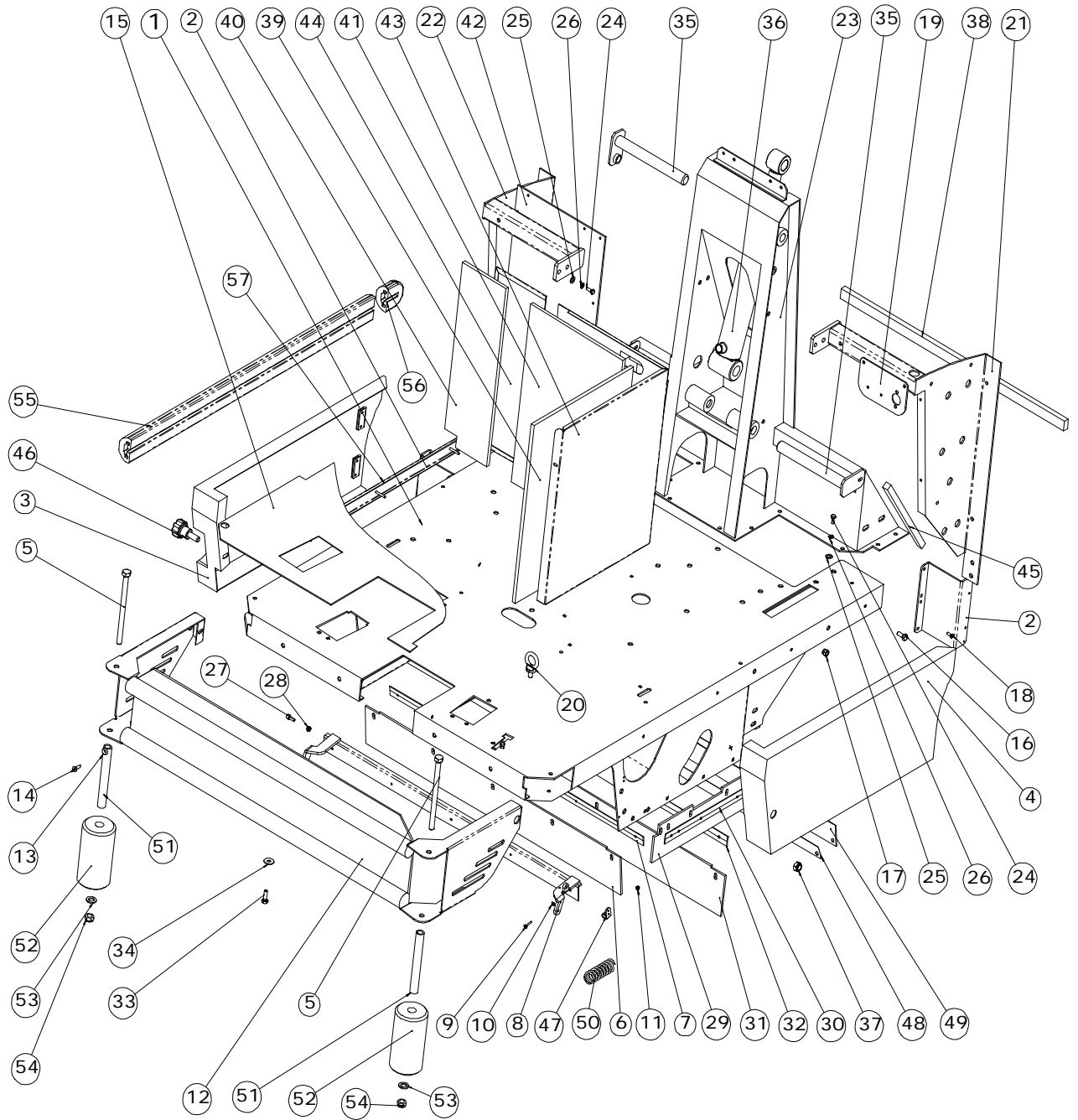
Advance SR 1300 B Model 908 3013 010 – Advance Model SR 1300 Eco Model 908 3301 010

POSIZ ITEM POS EINSAT	CODICE CODE CODE NUMMER	INTERNO INTERNAL INTERIEUR INTERNE	DESCRIZIONE DESCRIPTION DESCRIPTION BEZEICHNUNG	B	Eco
1	145 5650 000		TELAIO / FRAME / CHASSIS / RAHMEN	1	1
2	145 5667 000		SUPPORTO PORTELLI LATERALI / SUPPORT / SUPPORT / HALTER	2	2
3	145 5668 000		PORTELLO DESTRO / RIGHT HATCH / REGARD DR. / REC. KLASPE	1	1
4	145 5669 000		PORTELLO SINISTRO / LEFT HATCH / REGARD GAU. / LIN. KLASPE	1	1
5	145 5626 000		VITE/SCREW/ VIS / SCHRAUBE 12X180	2	2
6	145 4653 000		FLAP ANTERIORE / FRONT FLAP / BAVETTE ANT. / VORDER FLAP GUMMI	1	1
7	145 4655 000		PIATTINA FLAP ANTERIORE / PLATE / PLAQUE / BAND	1	1
8	145 1872 000		ALZAFLAP / FLAP RAISING DEVICE / RELEV BAVETTE / GROBSCHMUTZKLAPPE	1	1
9	145 6015 000	V02.12820	VITE TE M4X20 / SCREW / VIS / SCHRAUBE	5	5
10	145 4510 000	V11.002	ROSETTA Ø 4 / WASHER / RONDELLE / BEILAGSCHEIBE	5	5
11	145 9125 000	V13.06100	DADO AUTOBLOCCANTE M4 / SELF LOCKING NUT / ECROUT / GEGENMUTTER	5	5
12	145 5713 000		PARAURTI/ BUMPER / STOSSSTANGE	1	1
13	145 1129 000	V11.02330	RONDELLA SVASATA / WASHER / RONDELLE / BEILAGSCHEIBE	4	4
14	145 1259 000	V03.020	VITE TSEI M6X20 / SCREW / VIS / SCHRAUBE	4	4
15	145 5705 000		TAPPETINO / MAT BOARD / TAPIS / TEPPICH	1	1
16	145 9115 000	V02.012	VITE TE M8X16 / SCREW / VIS / SCHRAUBE	8	8
17	145 9123 000	V13.005	DADO AUTOBLOCCANTE M8 / SELF LOCKING NUT / ECROUT / GEGENMUTTER	8	8
18	145 5065 000	V03.019	VITE TSEI M5X16 / SCREW / VIS / SCHRAUBE	8	8
19	145 5825 000		STAFFA PORTA PRESA / BRACKET / SUPPORT / BÜGEL	1	1
20	145 5999 000	V02.016	GOLFARE / EYEBOLT/OESENSCHRAUBE	2	2
21	145 5694 000		TRAVERSA DI RINFORZO SX / LEFT SUPPORT / SUPPORT GAU. / LIN. HALTER	1	1
22	145 5693 000		TRAVERSA DI RINFORZO DX / RIGHT SUPPORT / SUPPORT DR. / REC. HALTER	1	1
23	145 5651 000		MONTANTE SOLLEVAMENTO CASSONE / SUPPORT / SUPPORT / PFOSTEN	1	1
24	145 9261 000	V02.003	VITE TE M6X16 / SCREW / VIS / SCHRAUBE	2	2
25	145 6016 000	V09.022	RONDELLA PIANA 6X18 / PLAIN WASHER / RONDELLE / BEILAGSCHEIBE	2	2
26	145 4512 000	V11.004	ROSETTA SPACCATA Ø 6.5 / SPLIT WASHER / RONDELLE / BEILAGSCHEIBE	2	2
27	145 9286 000	V04.01500	VITE TCEI M6X16 / SCREW / VIS / SCHRAUBE	2	2
28	145 9132 000	V13.019	DADO AUTOBLOCCANTE M6 / SELF LOCKING NUT / ECROUT / GEGENMUTTER	2	2
29	145 5927 000		FLAP LATERALE SINISTRO / LEFT SIDE FLAP / BAVETTE GAU./LINK.FLAP GUMMI	1	1
30	145 5929 000		PIATTINA FLAP LATERALE / PLATE / PLAQUE / BAND	1	1
31	145 4654 000		FLAP POSTERIORE / REAR FLAP / BAVETTE AR. / HINT. FLAP GUMMI	1	1
32	145 4657 000		PIATTINA FLAP POSTERIORE / PLATE / PLAQUE / BAND	1	1
33	145 9116 000	V02.014	VITE TE M8X25 / SCREW / VIS / SCHRAUBE	6	6
34	145 9213 000	V09.020	RONDELLA PIANA 8X24 / PLAIN WASHER / RONDELLE / BEILAGSCHEIBE	6	6
35	145 5655 000		PERNO DI SOLLEVAMENTO / PIT / AXE / STIFT	2	2
36	145 5654 000		CILINDRO DI SOLLEVAMENTO / CYLINDER / CYLINDRE / ZYLINDER	1	1
37	145 9167 000	V13.022	DADO AUTOBLOCCANTE M12 / SELF LOCKING NUT / ECROUT / GEGENMUTTER	2	2
38	145 6009 000		GUARNIZIONE ADESIVA 20X15X710 / GASKET / JOINT / DICHTUNG	1	1
39	146 0044 00		PANNELLO LONGITUDINALE / PANEL / PANNEAU / PANEL		1
40	146 0043 00		PANNELLO PER PROLUNGA / PANEL / PANNEAU / PANEL		1
41	146 0045 00		PANNELLO TRASVERSALE / PANEL / PANNEAU / PANEL		1
42	145 5907 000		PARAPOLVERE CILINDRO CASSONE / DUST COVER / PAREPOUSSIERE / SCHUTZHAUBE	2	2
43	146 0041 00		PARATIA VANO MOTORE / BULKHEAD / CLOISON / VERSCHLAG		1
44	146 0042 00		PROLUNGA PARATIA VANO MOTORE / BULKHEAD EXTENSION / CLOISON / VERSCHLAG		1
45	145 6027 000		GUARNIZIONE / GASKET / JOINT / DICHTUNG	2	2
46	145 8471 000	L02.08800	VOLANTINO / KNOB / MOLETTE / HANDRAD	1	1
47	145 5126 000		STAFFA FERMA GUAINA / BRACKET / SUPPORT / BÜGEL	1	1
48	146 0019 00		PIATTINA FLAP CASSONE / PIATTINA / PLATE / PLAQUE / BAND	1	1
49	146 0018 00		FLAP CASSONE / FLAP / BAVETTE / FLAP	1	1
50	145 9579 000	E04.05900	MOLLA ALZA FLAP / SPRING / RESSORT / FEDER	1	1

FRONT COVER ASSEMBLY

56042400(1)00-03

Advance SR 1300 B Model 908 3013 010 – Advance Model SR 1300 Eco Model 908 3301 010



	FRONT COVER ASSEMBLY	
--	-----------------------------	--

56042400(1)00-03

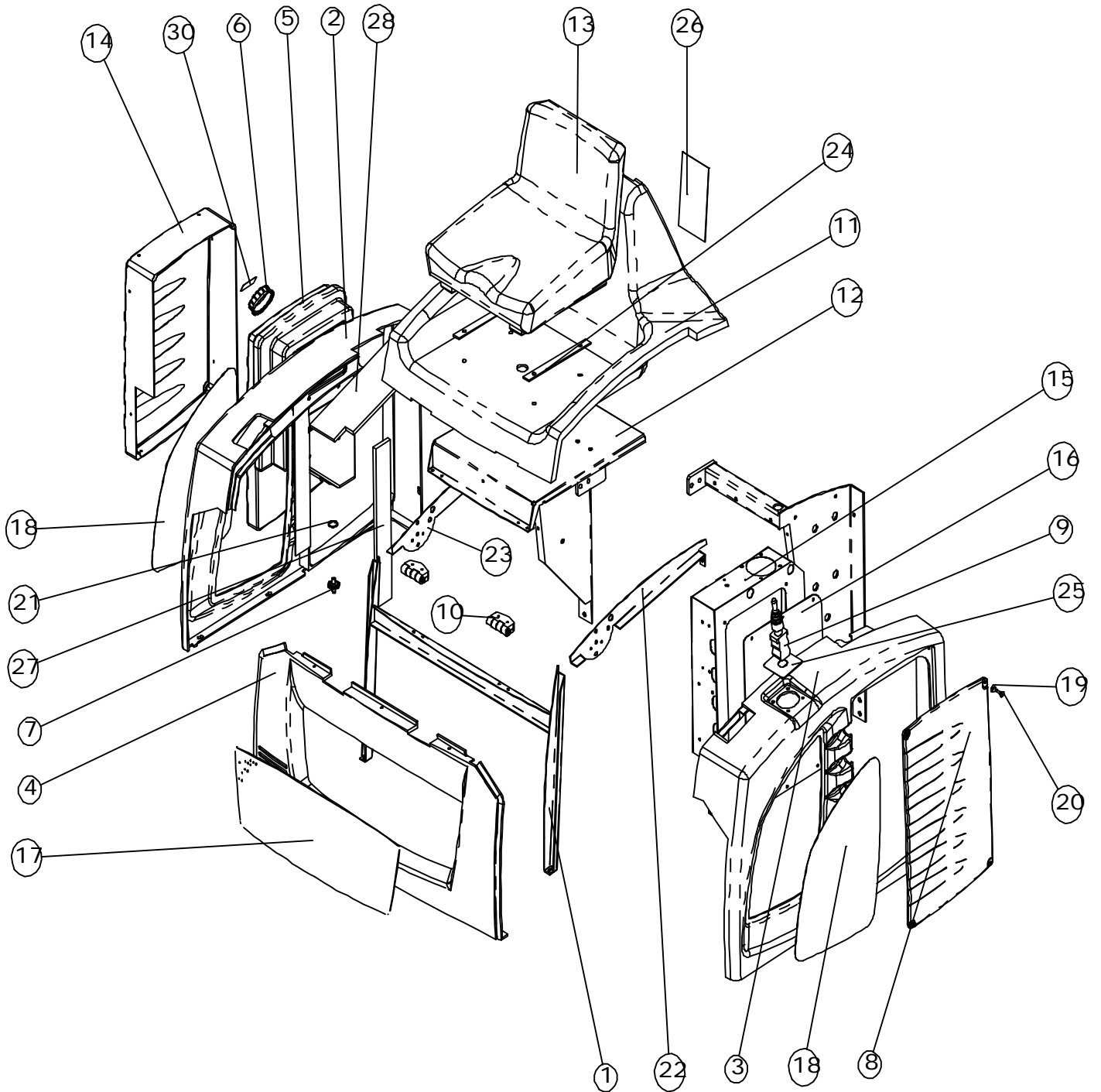
Advance SR 1300 B Model 908 3013 010 – Advance Model SR 1300 Eco Model 908 3301 010

POSIZ ITEM POS EINSAT	CODICE CODE CODE NUMMER	INTERNO INTERNAL INTERIEUR INTERNE	DESCRIZIONE DESCRIPTION DESCRIPTION BEZEICHNUNG	B	Eco
51	145 5628 000		PERNO RULLO PARACOLPI / PIN BUMPER ROLLER	2	2
52	145 5627 000		RULLO PARACOLPI / BUMPER ROLLER	2	2
53	145 9165 000	V09.004	RONDELLA PIANA / FLAT WASHER 12	2	2
54	145 9167 000	V13.022	DADO / NUT 13	2	2
55	145 5967 000		PROTEZIONE LATERALE / SIDE PROTECTION	2	2
56	145 4640 000		TERMINALE PARACOLPI / TERMINAL	2	2
57	145 5968 000		PIATTINA PER PROTEZIONE / PLATE FOR PROTECTION	2	2

FRONT COVER ASSEMBLY

56042400(1)00-03

Advance SR 1300 B Model 908 3013 010 – Advance Model SR 1300 Eco Model 908 3301 010



FRONT COVER ASSEMBLY

56042400(1)00-03

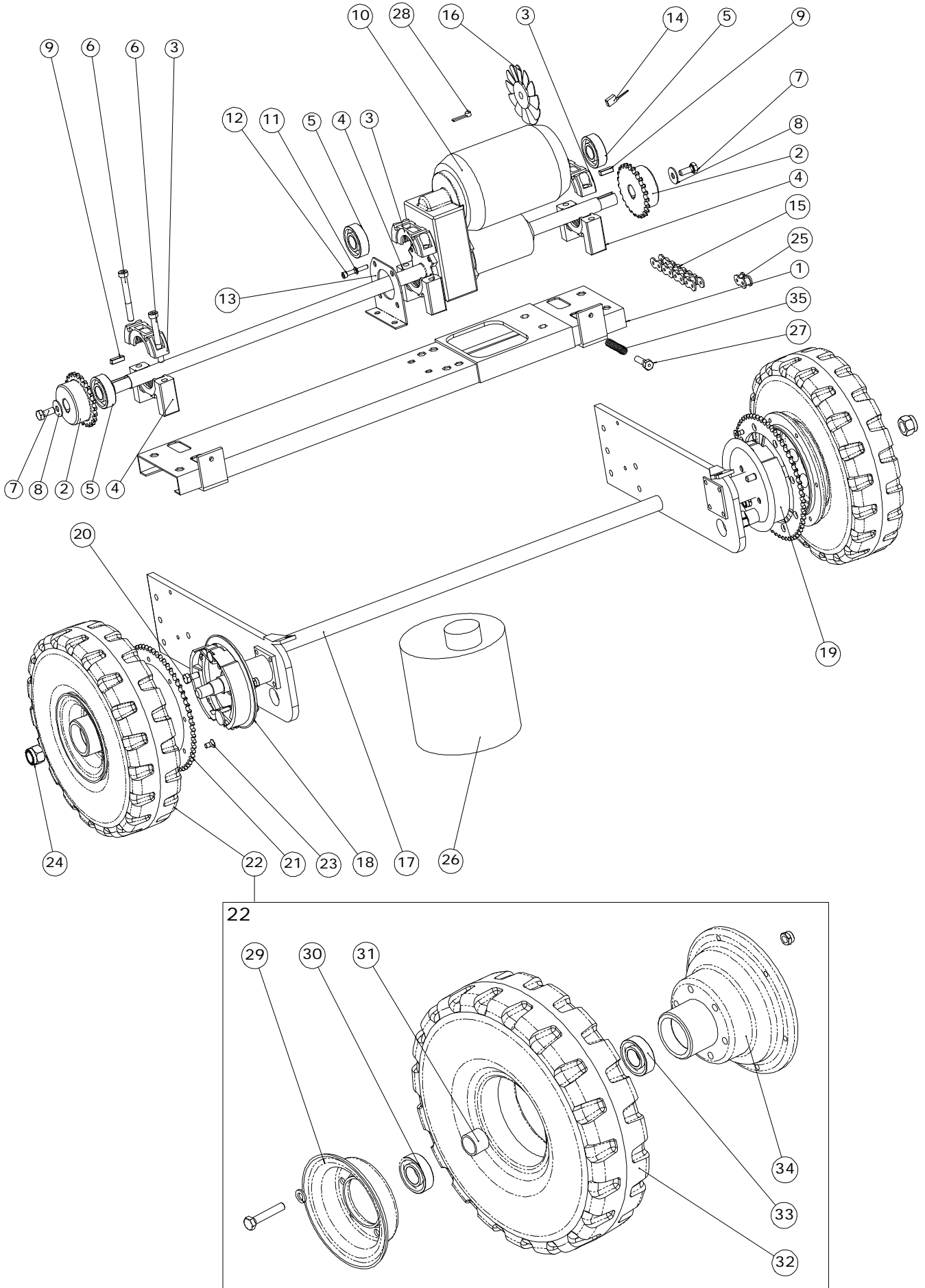
Advance SR 1300 B Model 908 3013 010 – Advance Model SR 1300 Eco Model 908 3301 010

POSIZ ITEM POS EINSAT	CODICE CODE CODE NUMMER	INTERNO INTERNAL INTERIEUR INTERNE	DESCRIZIONE DESCRIPTION DESCRIPTION BEZEICHNUNG	B	Eco
1	145 5955 000		TELAIO SUPPORTO CARENATURA CENTRALE / FRAME SUPPORT	1	1
2	145 5673 000		CARENATURA LATERALE DX/ RIGHT COVER	1	1
3	145 5978 000		CARENATURA LATERALE SX / LEFT COVER	1	1
4	145 5679 000		CARENATURA FRONTALE / FRONT COVER	1	1
5	145 5695 000		SERBATOIO CARBURANTE / FLUEL TANK	1	1
6	145 5696 000		TAPPO SERBATOIO CARB. / FLUEL TANK CAP	1	1
7	145 5697 000		PORTAGOMMA PER SERBATOIO / PIPE HOLDER	1	1
8	145 5680 000		COPERCHIO VANO SCHEDE ELETT. / COVER	1	1
9	145 5410 000		COMANDO JOYSTICK / JOYSTICK LEVER / LEVIER JOYSTICK / JOYSTICK HEBEL	1	1
10	145 0399 000	L02.16080	CERNIERA COMPLETA / HINGE / CHARNIERE / SCHARNIER	2	2
11	145 5686 000		STRUTTURA PORTA SEDILE / SEAT HOLDER BONNET / CAPOTAGE / MOTORHAUBE	1	1
12	145 5683 000		RINFORZO COFANO PORTA SEDILE / SEAT BONNET REINFORCEMENT / RENFORT / VERSTÄRKUNG	1	1
13	145 5975 000		SEDILE CON MICRO / MICROSWITCH SEAT / SIEGE AVEC MICRO. / SITZ MIT MICRO.	1	1
14	145 5952 000		COPERCHIO VANO SERBATOIO / COVER / COUVERCLE / DECKEL	1	
15	145 5725 000		CASSETTA ELETTRICA / CONTAINER BOX FOR ELECTRONIC CARD / BAC / BEHÄLTER	1	1
16	145 5824 000		COPERCHIO CASSETTA ELETTRICA / COVER / COUVERCLE / DECKEL	1	1
17	145 5834 000		RETE DI PROTEZIONE ANTERIORE / FRONT GUARD / PROTECTION ANT. / VORD. SCHUTZ	1	1
18	145 5835 000		RETE DI PROTEZIONE LATERALE / SIDE GUARD GRATE / PROTECTION LAT. / SEIT. SCHUTZ	2	2
19	145 1129 000	V11.02330	RONDELLA SVASATA / WASHER / RONDELLE / BEILAGSCHEIBE	4	4
20	145 9309 000	V03.003	VITE TSEI PG M6X20 / SCREW / VIS / SCHRAUBE	4	4
21	145 5698 000		GUARNIZIONE O-RING 3081 (A) / O-RING / O-RING / O-RING		1
22	145 5956 000		TELAIO SUPPORTO CARENATURA LATERALE SX / LEFT FRAME SUPPORT	1	1
23	145 5957 000		UNDERCOVER / CHASSIS GAU. / LINK RAHMEN		
			TELAIO SUPPORTO CARENATURA LATERALE DX / RIGHT FRAME SUPPORT	1	1
			UNDERCOVER / CHASSIS DR. / REC. RAHMEN		
24	145 4984 000		PIASTRA ATTACCA GUIDE / PLATE / PLAQUE / PLATTE	2	2
25	145 5863 000		ADESIVO / STICKER / ADHESIF / KLEBSTREIFEN	1	1
26	145 6084 000		ADESIVO BATTERIE / BATTERY STICKER / ADHESIF BATTERIE / BATTERIE KLEBSTREIFEN		1
26	146 0155 00		ADESIVO BATTERIE / BATTERY STICKER / ADHESIF BATTERIE / BATTERIE KLEBSTREIFEN	1	
27	145 6081 000		PANNELLO LATERALE / SIDE PANEL		1
28	145 6082 000		PANNELLO SUPERIORE / UPPER PANEL		1
30	146 0249 000	P00.06200	ETICHETTA BENZINA / GASOLINE DECAL / ADHESIF ESSENCE / BENZIN KLEBSTREIFEN		1

TRACTION ASSEMBLY

56042400(1)00-03

Advance SR 1300 B Model 908 3013 010 – Advance Model SR 1300 Eco Model 908 3301 010



TRACTION ASSEMBLY

56042400(1)00-03

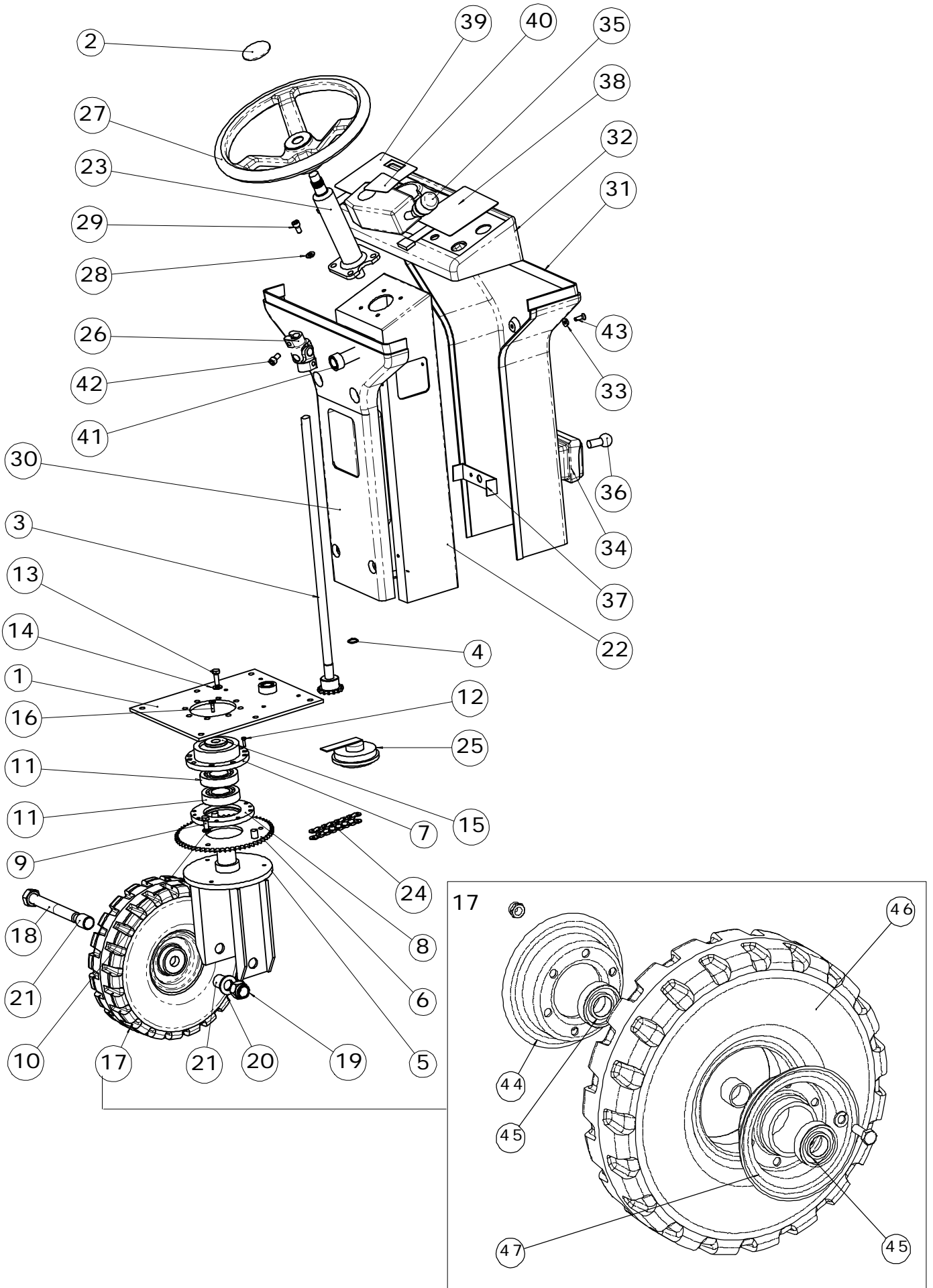
Advance SR 1300 B Model 908 3013 010 - Advance Model SR 1300 Eco Model 908 3301 010

POSIZ ITEM POS EINSAT	CODICE CODE CODE NUMMER	INTERNO INTERNAL INTERIEUR INTERNE	DESCRIZIONE DESCRIPTION DESCRIPTION BEZEICHNUNG	B	Eco
1	145 5689 000		SUPPORTO MOTODIFFERENZIALE / SUPPORT / SUPPORT / HALTER	1	1
2	145 5830 000		PIGNONE TRASMISSIONE Z=19 P=3/8 / SPROCKET WHEEL / PIGNON / RITZEL	1	1
3	145 1977 000		SUPPORTO CUSCINETTO SUP./ UPP.BALL BEARING SUPPORT / SUPPORT ROULEMENT SUP./ OB. LAGER HALTER	3	3
4	145 1976 000		SUPPORTO CUSCINETTO INF./ LOW.BALL BEARING SUPPORT / SUPPORT ROULEMENT INF./ UNT.LAGER HALTER	3	3
5	145 1123 000	E00.07640	CUSCINETTO YAT 204 / BALL BEARING / ROULEMENT / LAGER	3	3
6	145 5032 000	V04.05050	VITE TCEI M8X80 / SCREW / VIS / SCHRAUBE	6	6
7	145 9115 000	V02.012	VITE TESTA ESAG. M8X16 / SCREW / VIS / SCHRAUBE	2	2
8	145 9120 000	V09.005	ROSETTA-8.4 / WASHER / RONDELLE / BEILAGSCHEIBE	2	2
9	145 9776 000	V17.044	CHIAVETTA 6X6X35 / KEY / CLAVETTE / KEILNUT	2	2
10	145 5848 000		MOTODIFFERENZIALE VENTILATO 750W 24V (IP 20) / MOTODIFFERENTIAL / MOTODIFFER. / MOTODIFFERENTIAL	1	1
11	145 9133 000	V09.003	ROSETTA-5.5X10 / WASHER / RONDELLE / BEILAGSCHEIBE	4	4
12	145 6017 000	V04.01800	VITE TCEI PG M5X35 / SCREW / VIS / SCHRAUBE	4	4
13	145 5954 000		STAFFA ANTIROTAZIONE MOTORIDUTTORE / BRACKET / SUPPORT / BÜGEL	1	1
14	145 9864 000	A11.00100	SPAZZOLA MOTORE ELETTRICO / CARBON BRUSH / CHARBONS / KOHLENBÜRSTE	2	2
15	145 8143 000	E07.02900	CATENA 3/8" 123 PASSI / CHAIN / CHAINE / KETTE	2	2
16	145 6012 000		VENTOLA DI RAFFREDDAMENTO / FAN / VENT / FLÜGEL	1	1
17	145 5664 000		PONTE RUOTE POSTERIORE / REAR BRIDGE / PONT ARRIERE / HINT.RÄDERBRÜCKE	1	1
18	145 9756 000	L04.011	CEPPO FRENO / BRAKE BLOCK / FREIN / BREMSSCHUH	1	1
19	145 9756 000	L04.011	CEPPO FRENO / BRAKE BLOCK / FREIN / BREMSSCHUH	1	1
20	145 9115 000	V02.012	VITE TESTA ESAG. M8X16 / SCREW / VIS / SCHRAUBE	8	8
21	145 5692 000		CORONA TRASMISSIONE Z=60 P=3/8" / CROWN / COURONNE / KRANZ	2	2
22	145 8422 000	D00.03000	RUOTA COMPLETA / WHEEL / ROUE / RAD	2	2
23	145 6026 000	V04.04600	VITE TCEI PG M6X12 / SCREW / VIS / SCHRAUBE	12	12
24	145 5744 000		DADO ESAG. AUTOFRENANTE PG M16/ SELF LOCKING NUT / ECROUT / GEGENMUTTER	2	2
25	145 1410 000	E07.04330	CATENA (MAGLIA FALSA) / CHAIN / CHAINE / KETTE	2	2
26	145 5953 000		OLIO PER MOTODIFFERENZIALE / OIL FOR MOTODIFF. / OIL PUR MOTODIFF. / ÖL FÜR MOTODIFF.	0,11 gal	0,11 gal
27	145 5982 000		VITE REGOLAZIONE / SCREW / VIS / SCHRAUBE	2	2
28	145 5711 000		TERMOCOPPIA / THERMOCOUPLE / THERMOCOUPLE / THERMOELEMENT	1	1
29	145 8789 000	D01.008	SEMICERCHIO / SEMICIRCLE / DEMI JANTE / HALBFELGE	2	2
30	145 8146 000	E00.003	CUSCINETTO 6004 / BALL BEARING / ROULEMENT / LAGER	2	2
31	145 8790 000	E05.038	DISTANZIALE / SPACER / ENTRETOISE / ABSTANDSSTÜCK	2	2
32	145 2352 000	D02.006	GOMMA RUOTA / TYRE / ROUE / REIFE	2	2
33	145 8134 000	E00.006	CUSCINETTO 6204 / BALL BEARING / ROULEMENT / LAGER	2	2
34	145 8788 000	D01.01900	SEMICERCHIO CON MOZZO / SEMICIRCLE WITH HUB / DEMI JANTE AVEC MOYEU / HALBFELGE MIT NABE	2	2
35	145 6090 000		MOLLA REGISTRO DIFFERENZIALE / SPRING / RESSORT / FEDER	2	2

STEERING ASSEMBLY

56042400(1)00-03

Advance SR 1300 B Model 908 3013 010 – Advance Model SR 1300 Eco Model 908 3301 010



STEERING ASSEMBLY

56042400(1)00-03

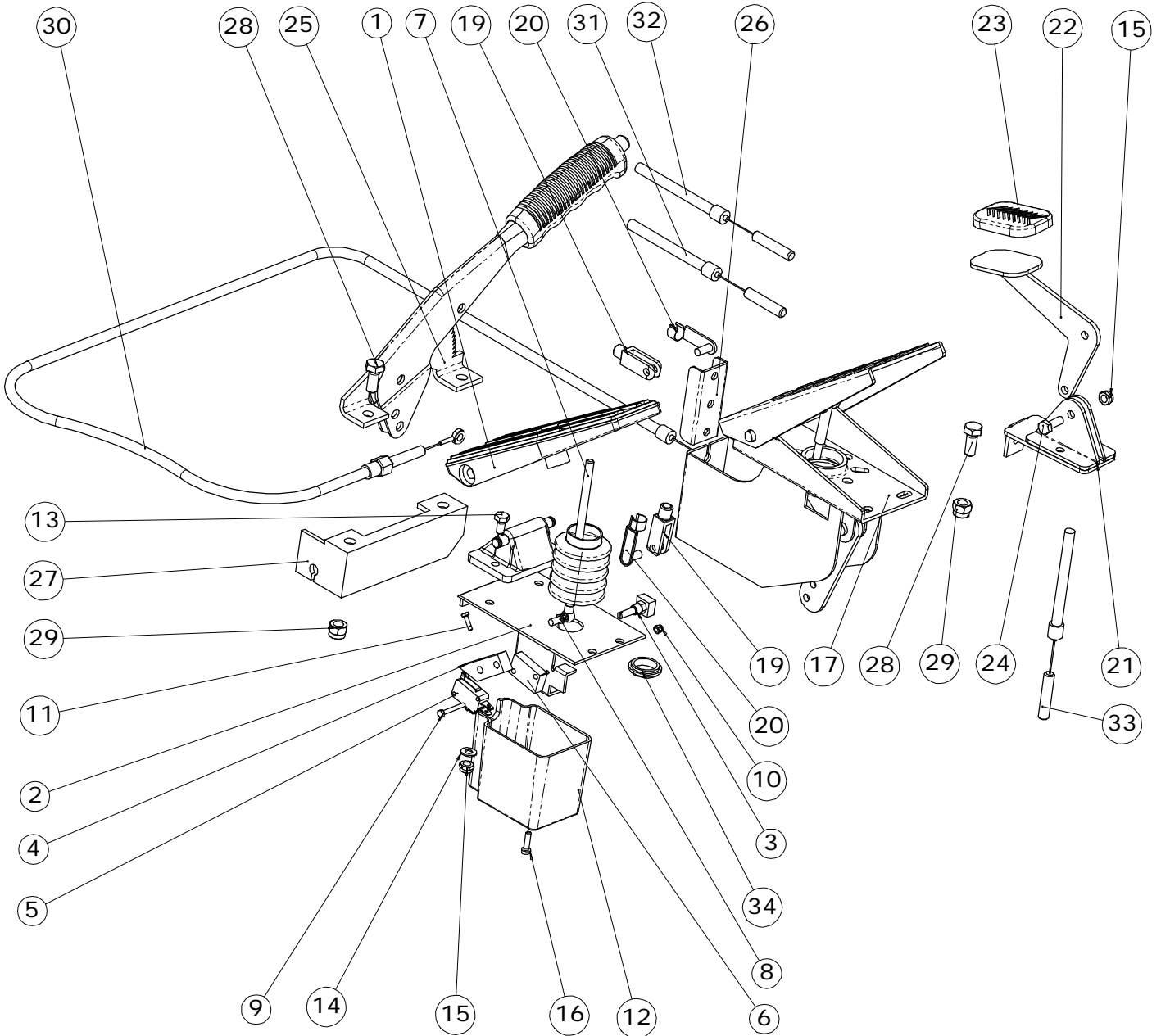
Advance SR 1300 B Model 908 3013 010 – Advance Model SR 1300 Eco Model 908 3301 010

POSIZ ITEM POS EINSAT	CODICE CODE CODE NUMMER	INTERNO INTERNAL INTERIEUR INTERNE	DESCRIZIONE DESCRIPTION DESCRIPTION BEZEICHNUNG	B	Eco
1	145 1847 000		PIASTRA SUPPORTO STERZO / PLATE / PLAQUE / PLATTE	1	1
2	145 8753 000	L02.12300	TAPPO VOLANTE / CAP / BOUCHON / PFROPFEN	1	1
3	145 1793 000		ALBERO STERZO / STEERING SHAFT / ARBRE / STEUERWELLE	1	1
4	145 9191 000	V14.008	SEEGER ESTERNO Ø17 / RETAINING RING / CIRCLIPS / SICHERUNGSRING	1	1
5	145 5662 000		SUPPORTO RUOTA / WHEEL SUPPORT / SUPPORT ROUE / RAD HALTER	1	1
6	145 2714 000	E06.05310	CORONA STERZO COMPLETA / CROWN / COURONNE / KRANZ	1	1
7	145 2586 000	E02.68700	FLANGIA PORTA CUSCINETTO / FLANGE / FLASQUE / FLANSCH	1	1
8	145 2587 000	E02.68800	FLANGIA PORTA CUSCINETTO / FLANGE / FLASQUE / FLANSCH	1	1
9	145 9170 000	V02.013	VITE TE M8X20 / SCREW / VIS / SCHRAUBE	3	3
10	145 4512 000	V11.005	ROSETTA SPACCATA Ø 8 / SPLIT WASHER / RONDELLE / BEILAGSCHEIBE	3	3
11	145 2357 000	E00.024	CUSCINETTO 6207 2RS / BALL BEARING / ROULEMENT / LAGER	2	2
12	145 5033 000	V03.02500	VITE TSCEI M8X20 / SCREW / VIS / SCHRAUBE	1	1
13	145 9116 000	V02.014	VITE TE M8X25 / SCREW / VIS / SCHRAUBE	8	8
14	145 4512 000	V11.005	ROSETTA SPACCATA Ø 8 / SPLIT WASHER / RONDELLE / BEILAGSCHEIBE	8	8
15	145 2585 000	E02.68600	RONDELLA SUPPORTO STERZO / WASHER / RONDELLE / BEILAGSCHEIBE	1	1
16	145 9309 000	V03.003	VITE TSEI PG M6X20 / SCREW / VIS / SCHRAUBE	1	1
17	145 9494 000	D00.015	RUOTA COMPLETA / WHEEL / ROUE / RAD	1	1
18	145 5712 000		VITE TESTA ESAG. M20X150 / SCREW / VIS / SCHRAUBE	1	1
19	145 4517 000	V13.011	DADO ESAG. AUTOFRENANTE PG M20 / SELF LOCKING NUT / ECROUT / GEGENMUTTER	1	1
20	145 8345 000	V09.04800	ROSETTA 21X37 / WASHER / RONDELLE / BEILAGSCHEIBE	1	1
21	145 9586 000	E05.011	DISTANZIALE / SPACER / ENTRETOISE / ABSTANDSSTÜCK	2	2
22	145 5551 000		FRONTALE / FRONT PANEL / PANNEAU AV. / VORDERPANEL	1	1
23	145 1946 000		COLONNA STERZO / STEERING COLUMN / SUPPORT / LENKSAULE	1	1
24	145 1784 000		CATENA 3/8" 68 STEP / CHAIN / CHAINE / KETTE	1	1
25	145 8881 000	G09.002	CLACSON / HORN / AVERTISSEUR / HÜPE	1	1
26	145 9619 000	E09.001	GIUNTO / JOINT / JOINT / KUPPLUNG	1	1
27	145 1854 000		VOLANTE / STEERING WHEEL / VOLANT / LENKRAD	1	1
28	145 9120 000	V09.005	ROSETTA 8X17 / WASHER / RONDELLE / BEILAGSCHEIBE	4	4
29	145 9759 000	V01.015	VITE TESTA ESAG. M8X16 / SCREW / VIS / SCHRAUBE	4	4
30	145 1796 000		CARENATURA PIANTONE POSTERIORE / REAR COVER / BATI AR. / HINTERE VERKLEIDUNG	1	1
31	145 1797 000		CARENATURA PIANTONE ANTERIORE / FRONT COVER / BATI ANT. / VORDERE VERKLEIDUNG	1	1
32	145 5887 000		PLANCIA / CONTROL PANEL / PLANCHE / SCHALTAFEL	1	1
33	145 1129 000	V11.02330	RONDELLA SVASATA / WASHER / RONDELLE / BEILAGSCHEIBE	4	4
34	145 8244 000	G06.02400	FANALE / HEADLIGHT / PHARE / SCHEINWERFER	1	1
35	145 5709 000		LEVA DEVIO MAGGIORATO / LEVER / LEVIER / HEBEL	1	1
36	145 5518 000	G11.023	LAMPADINA 24V 23W / LAMP / LAMPE / LAMPE	1	1
37	145 3483 000	F03.62500	STAFFA PER FANALE / BRACKET / SUPPORT / BÜGEL	1	1
38	145 6130 000		SERIGRAFIA PLANCIA CHIAVE / ADHESIVE / ADHESIF / KLEBSTREIFEN		1
38	145 1780 000		SERIGRAFIA PLANCIA CHIAVE / ADHESIVE / ADHESIF / KLEBSTREIFEN	1	
39	145 5715 000		SERIGRAFIA PLANCIA COMANDI / ADHESIVE / ADHESIF / KLEBSTREIFEN	1	1
40	145 1941 000		ADESIVO DEVIO / ADHESIVE / ADHESIF / KLEBSTREIFEN	1	1
41	145 8366 000	G05.002	PULSANTE / PUSH BUTTON / BOUTON POUSSOIR / KNOFF		1
42	145 9759 000	V01.015	VITE TESTA ESAG. M8X16 / SCREW / VIS / SCHRAUBE	1	1
43	145 9309 000	V03.003	VITE TSEI PG M6X20 / SCREW / VIS / SCHRAUBE	8	8
44	145 8789 000	D01.008	SEMICERCHIO / SEMICIRCLE / DEMI JANTE / HALBFELGE	1	1
45	145 8146 000	E00.006	CUSCINETTO 6204 / BALL BEARING / ROULEMENT / LAGER	2	2
46	145 2352 000	D02.006	GOMMA RUOTA / TYRE / ROUE / REIFE	1	1
47	145 8788 000	D01.02300	SEMICERCHIO CON MOZZO / SEMICIRCLE WITH HUB / DEMI JANTE AVEC MOYEU / HALBFELGE MIT NABE	1	1

CONTROL PEDAL & LEVER ASSEMBLY

56042400(1)00-03

Advance SR 1300 B Model 908 3013 010 – Advance Model SR 1300 Eco Model 908 3301 010



CONTROL PEDAL & LEVER ASSEMBLY

56042400(1)00-03

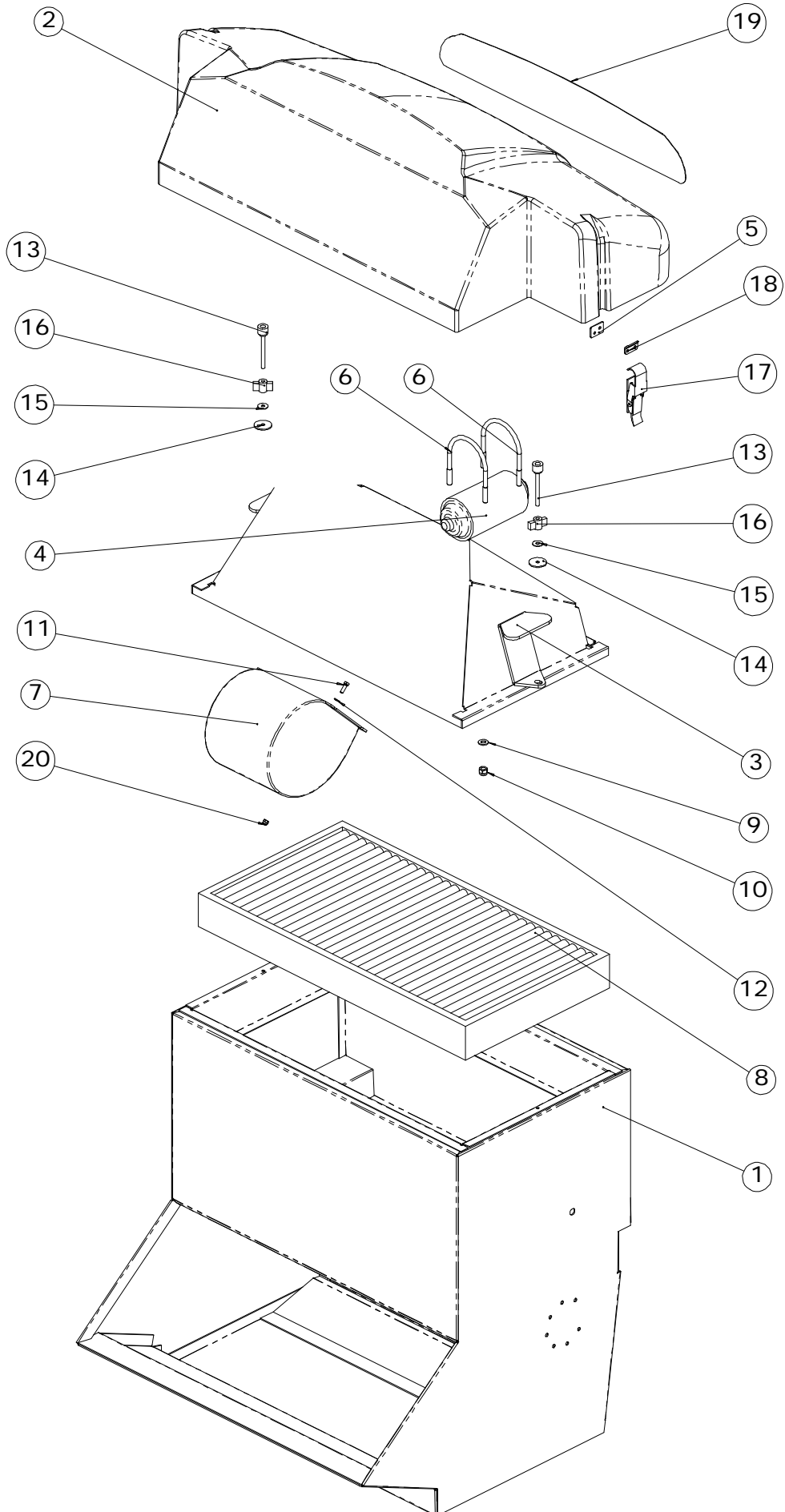
Advance SR 1300 B Model 908 3013 010 – Advance Model SR 1300 Eco Model 908 3301 010

POSIZ ITEM POS EINSAT	CODICE CODE CODE NUMMER	INTERNO INTERNAL INTERIEUR INTERNE	DESCRIZIONE DESCRIPTION DESCRIPTION BEZEICHNUNG	B	Eco
1	145 3665 000	F04.20600	PEDALE AVANZAMENTO RIDOTTO / PEDAL / PEDALE / PEDAL	1	1
2	145 1955 000		STAFFA PEDALE / BRACKET / SUPPORT / BÜGEL	1	1
3	145 0283 000	G02.13660	POTENZIOMETRO / POTENTIOMETER / POTENTIOMETRE / POTENTIOMETER	1	1
4	145 2590 000	E02.68830	BIELLA POTENZIOMETRO / CONNECTING ROD / BIELLE / FLÜGELSTANGE	1	1
5	145 4799 000		MICROINTER.A ROTELLA / MICROSWITCH / MICROINTERRUPTEUR / MICROSCHALTER	1	1
6	145 4936 000	E05.19180	DISTANZIALE PER MICROINTER. / SPACER / ENTRETOISE / ABSTANDSSTÜCK	1	1
7	145 4935 000	E02.68920	TIRANTE / TENSION ROD / TIRANT / ZUGSTANGE	1	1
8	145 8479 000	V17.027	TESTA A SNODO / ARTICULATED HEAD / ROTULE / GELENKKOPF	1	1
9	145 1162 000	V02.09803	VITE TESTA ESAG. M3X20 / SCREW / VIS / SCHRAUBE	2	2
10	145 9124 000	V13.06000	DADO ESAG. AUTOFRENANTE PG M3 / SELF LOCKING NUT / ECROUT / GEGENMUTTER	2	2
11	145 9141 000	V02.06700	VITE TESTA ESAG. M4X16 / SCREW / VIS / SCHRAUBE	1	1
12	145 4086 000	H02.34310	COPRIPEDALE / PEDAL COVER / HOUSSE PEDAL / PEDALDECKUNG	1	1
13	145 9442 000	V02.002	VITE TESTA ESAG. M6X12 / SCREW / VIS / SCHRAUBE	2	2
14	145 9961 000	V09.00410	RONDELLA PIANA Ø 6X12.5 AISI 304 / PLAIN WASHER / RONDELLE / BEILAGSCHEIBE	2	2
15	145 9132 000	V13.019	DADO ESAG. AUTOFRENANTE PG M6 / SELF LOCKING NUT / ECROUT / GEGENMUTTER	3	3
16	145 4937 000	V05.01703	VITE AUTOFRENANTE ZN TSPCI 4.2X19 / SELF LOCKING SCREW / VIS / KLEMMSCHRAUBE	2	2
17	145 4885 000		PEDALE / PEDAL / PEDALE / PEDAL	1	1
19	145 9409 000	V17.06700	FORCELLA / FORK / FOURCHETTE / GABELSTÜCK	2	2
20	145 9410 000	V17.06800	CLIPS M6 / CIRCLIP / CLIP / KLIPP	2	2
21	145 1839 000		SUPPORTO PEDALE ALZA FLAP / PEDAL SUPPORT / SUPPORT PEDALE / PEDAL HALTER	1	1
22	145 1841 000		PEDALE ALZA FLAP / FLAP RAISING DEVICE PEDAL / PEDALE RELEVÉ BAVETTE / GROBSCHMUTZKLAPPE AUFHEBUNG PEDAL	1	1
23	145 8478 000	H02.063	COPRI PEDALE IN GOMMA / RUBBER PEDAL COVER / HOUSSE PEDALE CAOUTCHOU / GUMMI PEDALDECKUNG	1	1
24	145 9227 000	V02.004	VITE TESTA ESAG. M6X20 / SCREW / VIS / SCHRAUBE	1	1
25	145 1783 000		LEVA FRENO A MANO / BRAKE LEVER / LEVIER FREIN / BREMSE HEBEL	1	1
26	145 4866 000		STAFFA / BRACKET / SUPPORT / BÜGEL	1	1
27	145 1956 000		PIASTRA LEVA FRENO A MANO / PLATE / PLAQUE / PLATTE	1	1
28	145 9170 000	V02.013	VITE TE M8X20 / SCREW / VIS / SCHRAUBE	5	5
29	145 9201 000	V13.020	DADO ESAG. AUTOFRENANTE PG M8 / SELF LOCKING NUT / ECROUT / GEGENMUTTER	5	5
30	145 5468 000		CAVO FRENO A MANO / BRAKE CABLE / CABLE FREIN / BREMSE KABEL	1	1
31	145 5800 000		CAVO CON FORCELLA DX / CABLE / CABLE / KABEL	1	1
32	145 5801 000		CAVO CON FORCELLA SX / CABLE / CABLE / KABEL	1	1
33	145 4821 000		CAVO ALZAFLAP / CABLE / CABLE / KABEL	1	1
34	145 2589 000	E02.68820	RONDELLA CENTRAGGIO MOLLA / WASHER / RONDELLE / BEILAGSCHEIBE	1	1

REAR COVER & FILTER ASSEMBLY

56042400(1)00-03

Advance SR 1300 B Model 908 3013 010 – Advance Model SR 1300 Eco Model 908 3301 010



REAR COVER & FILTER ASSEMBLY

56042400(1)00-03

Advance SR 1300 B Model 908 3013 010 – Advance Model SR 1300 Eco Model 908 3301 010

POSIZ ITEM POS EINSAT	CODICE CODE CODE NUMMER	INTERNO INTERNAL INTERIEUR INTERNE	DESCRIZIONE DESCRIPTION DESCRIPTION BEZEICHNUNG	B	Eco
1	145 5774 000		CASSONE FILTRO / FILTER CONTAINER / FILTRE CAISSON / FILTER BEHÄLTER	1	1
2	145 5708 000		COPERCHIO CASSONE / LID COVER / COUVERCLE / DECKEL	1	1
3	146 0053 00		TELAIO FISSA FILTRO / FILTER FIXING FRAME / CHASSIS FILTRE / FILTER RAHMEN	1	1
4	145 5539 000		MOTORE SCUOTIFILTRO W90 24V / FILTERSHAKER / DECOLMATAGE DU FILTRE / FILTERRÜTTLER	1	1
5	145 6064 000		PIASTRINA DI RINFORZO / PLATE / PLAQUE / BAND	1	1
6	146 0072 00		FASCETTA / CLAMP / COLLIER / PASSRING	2	2
7	146 0061 00		ELETTOVENTOLA / ELECTRIC FAN / ELECTROVENTILATEUR / ELEKRO FLÜGEL	1	1
8	145 5665 000		FILTRO IN CARTA / FILTER / FILTRE / FILTER	1	1
9	146 0245 000	V09.030	RONDELLA PIANA 8 / WASHER / RONDELLE / BEILAGSCHEIBE	4	4
10	145 9125 000	V13.06100	DADO ESAG AUTOFR PG-M8 / SELF LOCKING NUT / ECROUT / GEGENMUTTER	4	4
11	145 9141 000	V02.06700	VITE TESTA ESAG M4X16 / SCREW / VIS / SCHRAUBE	4	4
12	145 9237 000	V09.04200	RONDELLA 4 / PLAIN WASHER/ RONDELLE / BEILAGSCHEIBE	4	4
13	145 1354 000	L02.16160	VOLANTINO / KNOB / MOLETTE / HANDRAD	2	2
14	145 4916 000		RONDELLA GOMMA 5X30X2 / RUBBER WASHER / RONDELLE CAOUTCHOU / GUMMI BEILAGSCHEIBE	2	2
15	145 9229 000	V09.022	RONDELLA PIANA 6X18 / PLAIN WASHER / RONDELLE / BEILAGSCHEIBE	2	2
16	145 0461 000	L02.16130	GALLETTO DI FISSAGGIO M6 / WING NUT / ECROUT / MUTTER	2	2
17	145 5865 000		CHIUSURA COPERCHIO / CLAMP /FERMETURE / VERSCHLUB	2	2
18	145 5866 000		PIASTRINA AGGANCIO / PLATE / PLAQUE / BAND	2	2
19	145 5836 000		RETE PROTEZIONE / GUARD / PROTECTION / SCHUTZ	1	1
20	145 9201 000	V13.020	DADO AUTOBL.M4/ SELFLOCKING NUT/ECROUT/ GEGENMUTTER	4	4

MAIN BRUSH ASSEMBLY

56042400(1)00-03

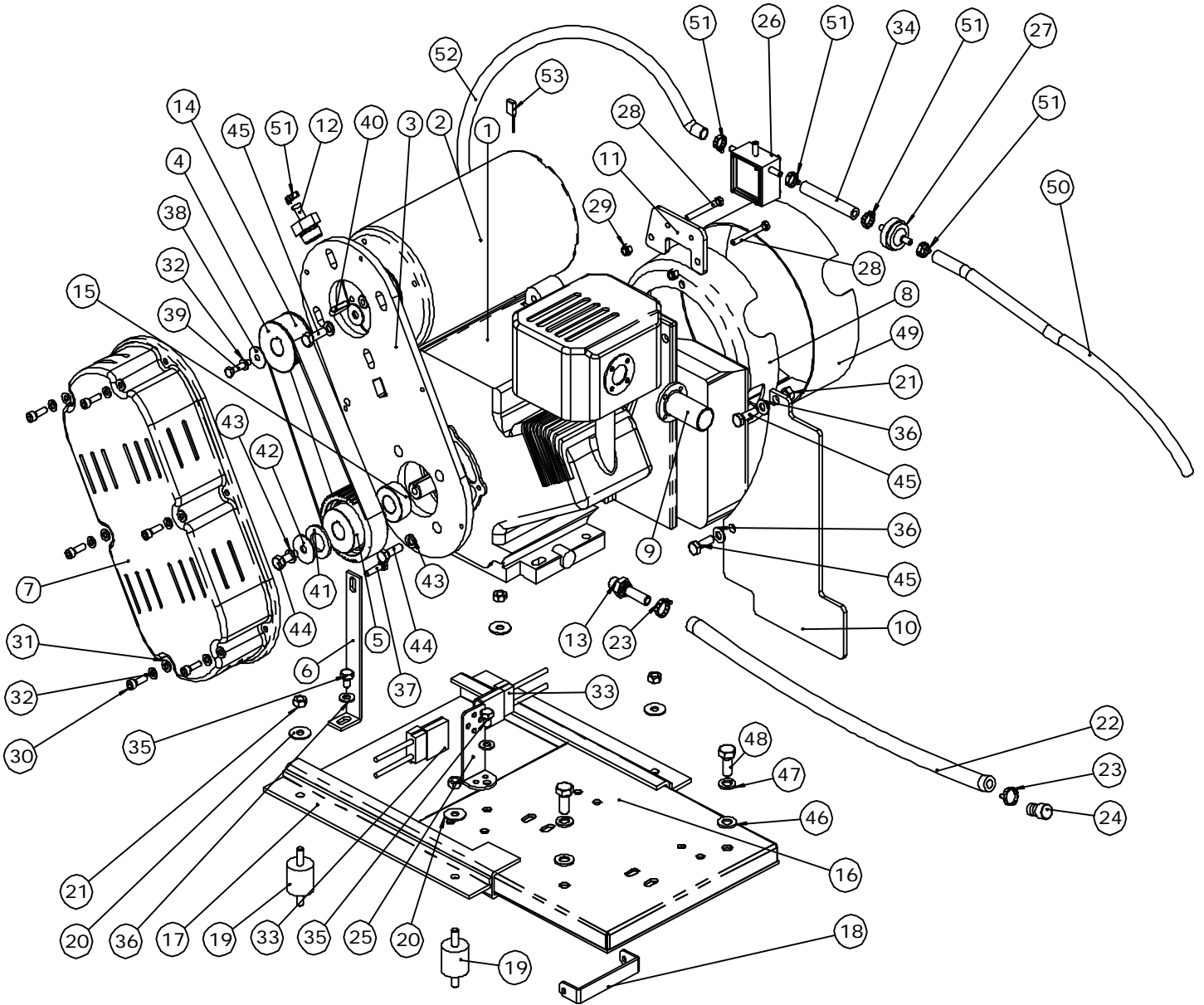
Advance SR 1300 B Model 908 3013 010 – Advance Model SR 1300 Eco Model 908 3301 010

POSIZ ITEM POS EINSAT	CODICE CODE CODE NUMMER	INTERNO INTERNAL INTERIEUR INTERNE	DESCRIZIONE DESCRIPTION DESCRIPTION BEZEICHNUNG	B	Eco
1	145 5575 000		ALBERO SPAZZOLA CENTRALE / MAIN BRUSH SHAFT / AXE BROSSSE / ZENTRALBÜRSTENWELLE	1	1
2	145 0269 000	E02.68870	MOZZO SX SPAZZOLA CENTRALE / LEFT HUB / MOYEU GAU./ LIN.NABE	1	1
3	145 5661 000		MOZZO DX SPAZZOLA CENTRALE / RIGHT HUB / MOYEU DR. / REC. NABE	1	1
4	145 1775 000		MOTORE SPAZZOLA (AMER 24V 500W 1600RPM IP44) / BRUSH MOTOR / BROSSSE MOTEUR / BÜRSTENMOTOR	1	1
5	145 1849 000		PULEGGIA MOTORE SPAZZOLA CENTRALE (HTD 20 5M 15-6F) / PULLEY / POULIE / SCHEIBE	1	1
6	145 1950 000		DISTANZIALE / SPACER / ENTRETOISE / ABSTANDSSTÜCK	1	1
7	145 1850 000		PULEGGIA SPAZZOLA CENTRALE (60 5M15-6W) / PULLEY / POULIE / SCHEIBE	1	1
8	145 1791 000		PERNO SPAZZOLA CENTRALE / PIT / AXE / STIFT	1	1
9	145 8024 000	V17.07000	LINGUETTA 5X5X25 / TAB / CLAVETTE / KEIL	1	1
10	145 9129 000	V09.012	ROSETTA 6.4X24 / WASHER / RONDELLE / BEILAGSCHEIBE	6	6
11	145 9227 000	V02.004	VITE TESTA ESAG. M6X20 / SCREW / VIS / SCHRAUBE	5	5
12	145 9129 000	V09.012	ROSETTA 6.4X24 / WASHER / RONDELLE / BEILAGSCHEIBE	4	4
13	145 8196 000	E00.001	CUSCINETTO (6002)15X32X9 2RS / BALL BEARING / ROULEMENT / LAGER	2	2
14	145 9161 000	V14.003	SEEGER INTERNO D32 / RETAINING RING / CIRCLIPS / SICHERUNGSRING	1	1
15	145 8197 000	V17.06200	LINGUETTA 4X3X20 / TAB / CLAVETTE / KEIL	1	1
16	145 4769 000	H08.00090	TRASCINATORE / HUB / MOYEU / NABE	1	1
17	145 6055 000	V17.10700	CHIAVETTA 4X4X16 / KEY / CLAVETTE / KEILNUT	1	1
18	145 9167 000	V13.022	DADO ESAG. AUTOFRENANTE PF M12 / SELF LOCKING NUT / ECROUT / GEGENMUTTER	1	1
19	145 9165 000	V09.007	ROSETTA 13X24 / WASHER / RONDELLE / BEILAGSCHEIBE	3	3
20	145 4881 000		SPAZZOLA CENTRALE / CENTRAL BRUSH / BROSSSE CENTR. / ZENTRALBÜRSTE	1	1
22	145 1845 000		LEVA SPAZZOLA CENTRALE / LEVER / LEVIER / HEBEL	1	1
23	145 2662 000	E05.11900	DISTANZIALE / SPACER / ENTRETOISE / ABSTANDSSTÜCK	1	1
24	145 0270 000	E00.023	CUSCINETTO (6001)12X28X8 / BALL BEARING / ROULEMENT / LAGER	1	1
25	145 0271 000	E04.09460	MOLLA SPAZZOLA CENTRALE / SPRING / RESSORT / FEDER	1	1
26	145 1440 000	V04.02002	VITE TCEI PG M12X70 / SCREW / VIS / SCHRAUBE	1	1
27	145 9167 000	V13.022	DADO ESAG. AUTOFRENANTE PG M12 / SELF LOCKING NUT / ECROUT / GEGENMUTTER	1	1
28	145 9120 000	V09.005	ROSETTA 8.4X17 / WASHER / RONDELLE / BEILAGSCHEIBE	1	1
29	145 5035 000	L02.16070	VOLANTINO FEMMINA / KNOB / MOLETTE / HANDRAD	1	1
30	145 1851 000		CINGHIA HTD 5M 15 710 / BELT / COURROIE / RIEMEN	1	1
31	145 8360 000	A11.00800	SPAZZOLA MOTORE ELETTRICO / CARBON BRUSH / CHARBONS / KOHLENBÜRSTE	2	2
32	145 2181 000	A07.02800	VENTOLA / FAN / VENTILATEUR / FLÜGEL	1	1
33	145 1827 000		PORTELLO / HATCH / REGARD / KLAPPE	1	1
34	145 5573 000		ATTUATORE CON MICRO./ JACK WITH MICRO./ ACTIONNEUR AVEC MICRO./ AKTUATOR MIT MICRO.	1	1
35	145 5877 000		VITE TSEI M6X40 / SCREW / VIS / SCHRAUBE	1	1
36	145 5900 000		VITE TSCEI M8X55 / SCREW / VIS / SCHRAUBE	1	1
37	145 9201 000	V13.020	DADO AUTOBLOCCANTE M8 / SELF LOCKING NUT / ECROUT / GEGENMUTTER	2	2
38	145 9120 000	V09.005	RONDELLA PIANA Ø8 / PLAIN WASHER / RONDELLE / BEILAGSCHEIBE	2	2
39	145 4512 000	V11.005	RONDELLA SPACCATA Ø8 / SPLIT WASHER / RONDELLE / BEILAGSCHEIBE	2	2
40	145 1891 000		COLLARE FISSAGGIO ALBERO SPAZZOLA / COLLAR / BRIDE / SCHELLE	2	2
41	145 5034 000	V04.005	VITE TCEI M6X40 / SCREW / VIS / SCHRAUBE	4	4
42	145 2244 000	L02.16020	VOLANTINO PORTELLO / KNOB / MOLETTE / HANDRAD	2	2
43	145 5929 000		PIATTINA / PLATE / PLAQUE / BAND	1	1
44	145 5927 000		FLAP LATERALE / SIDE FLAP / BAVETTE LAT. / SEITEN FLAP	1	1
45	145 9132 000	V13.019	DADO AUTOBLOCCANTE M6 / SELF LOCKING NUT / ECROUT / GEGENMUTTER	1	1

ENGINE ASSEMBLY

56042400(1)00-03

Advance SR 1300 B Model 908 3013 010 - Advance Model SR 1300 Eco Model 908 3301 010



ENGINE ASSEMBLY

56042400(1)00-03

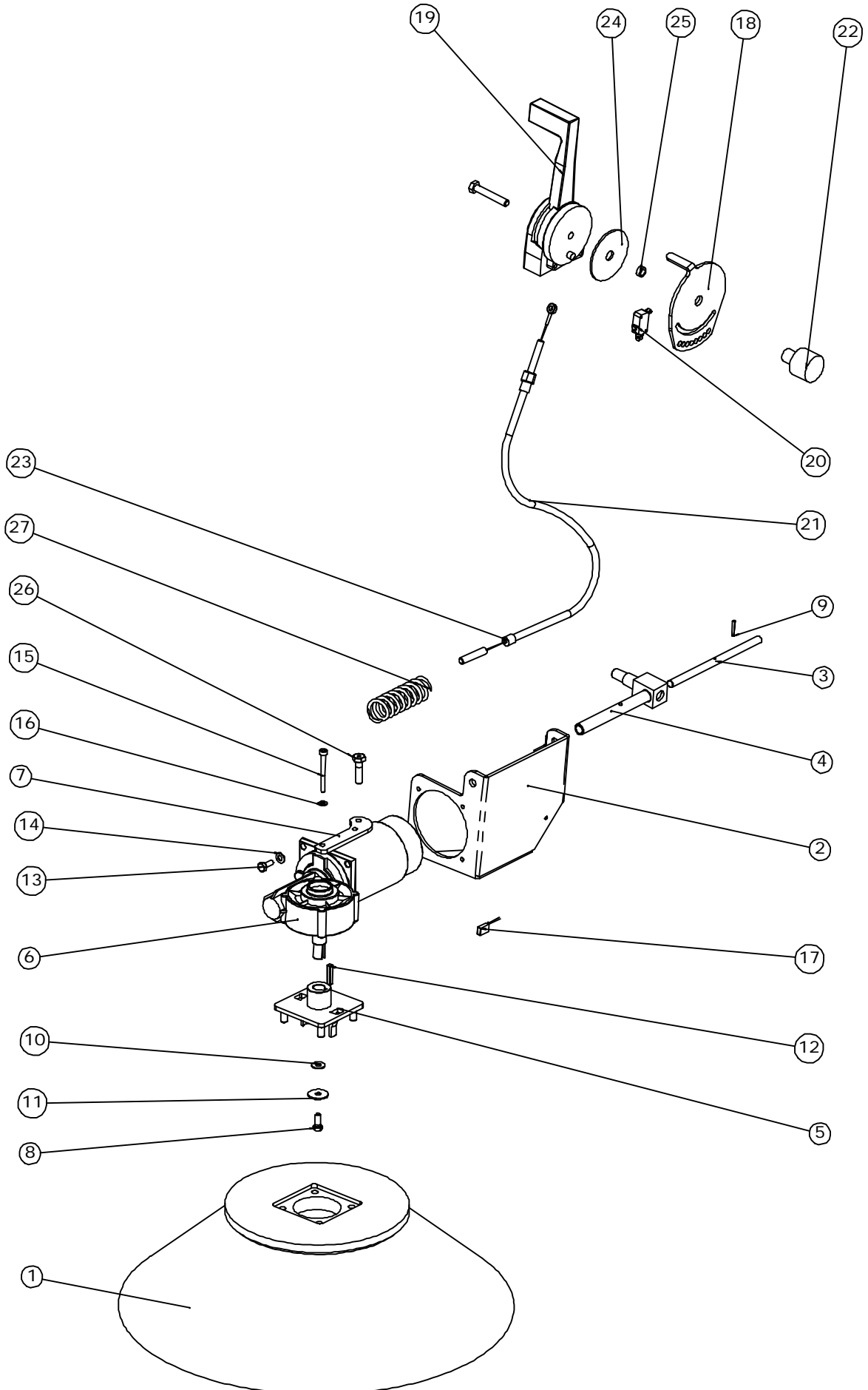
Advance SR 1300 B Model 908 3013 010 – Advance Model SR 1300 Eco Model 908 3301 010

POSIZ ITEM POS EINSAT	CODICE CODE CODE NUMMER	INTERNO INTERNAL INTERIEUR INTERNE	DESCRIZIONE DESCRIPTION DESCRIPTION BEZEICHNUNG	B	Eco
1	145 6113 00		MOTORE BENZINA 4HP / GASOLINE MOTOR/ ESSENCE MOTOR/ BENZIN MOTOR		1
2	145 5701 000		DINAMO MOTORE 1100W / DYNAMOTOR /		1
3	145 6105 000		SUPPORTO DINAMOTORE / DYNAMOTOR SUPPORT/ SUPPORT/ HALTER		1
4	145 5749 000		PULEGGIA HTD 36 5M 25 6F / PULLEY / POULIE / SCHEIBE		1
5	145 5750 000		PULEGGIA HTD 48 5M 25 6W / PULLEY / POULIE / SCHEIBE		1
6	145 6097 000		PIATTINA SUPPORTO DINAMORE / PLATE / PLAQUE / BAND		1
7	145 6107 000		CARTER PROTEZIONE/ PROTECTION CRANKCASE/ CARTER DE PROTECTION		1
8	146 0167 00		DEFLETTORE ARIA / AIR DEFLECTOR / AIR DEFLETEUR / LUFT DEFLEKTOR		1
9	146 0166 00		TUBO DI SCARICO / EXHAUST		1
10	146 0160 00		DEFLET.CARBURATORE/ CARBURETOR DEFLECTOR /		1
11	146 0159 00		STAFFA PORTA POMPA BENZINA / GAS. PUMP HOLDING BRACKET / SUPPORT		1
12	146 0158 00		PRESA DEPRESSIONE / DEPRESSION PIPE		1
13	#146 0244 000	M03.010	PORTAGOMMA ¼ / RUBBER HOLDER		1
14	145 6115 000		CINGHIA DENTATA HTD 615 5M25 / COGGED DRIVE BELT		1
15	145 1958 000		DISTANZIALE / SPACER		1
16	146 0157 00		SUPPORTO MOBILE MOTORE / SLIDING PLATE /		1
17	146 0168 00		PIASTRA PORTA MOTORE / SUPPORT MOTOR PLATE		1
18	146 0169 00		SUPPORTO SICUREZZA MOTORE / BEARING SAFETY BRACKET		1
19	145 8054 000	L02.07900	ANTIVIBRANTE / VIBRATION DAMPER		4
20	146 0245 000	V09.030	RONDELLA PIANA D.8X24 / PLAIN WASHER		4
21	145 9123 000	V13.005	DADO E.M8 / NUT		4
22	145 5037 000		TUBO / PIPE		1
23	145 9221 000	V20.001	FASCETTA TUBO 12-21MM / PIPE CLAMP		2
24	145 9220 000	M03.003	TAPPO OLIO / OIL CAP		1
25	145 4755 000		STAFFA PER CONNETTORE BATTERIE / BATTERY CONNECTORS BRACKET		1
26	145 5710 000		POMPA BENZINA / GASOLINE PUMP		1
27	145 8167 000	B02.02800	FILTRO BENZINA / GASOLINE FILTER		1
28	145 9480 000	V02.07800	VITE M6X50 TE / SCREW		2
29	145 9132 000	V13.019	DADO AUTOBL.M6 / SELFLOCKING NUT		2
30	145 9314 000	V04.007	VITE TCEI M6X20 / SCREW		6
31	145 9128 000	V09.004	RONDELLA PIANA D6X12 / PLAIN WASHER		6
32	145 9228 000	V11.004	RONDELLA SPACCATA D6 / OPEN WASHER		6
33	145 6062 000		CONNETTORE / CONNECTOR		2
34	146 0246 000		TUBO D7 / PIPE		1
35	146 0115 00	V02.026	VITE TE M8X12 / SCREW		2
36	145 9120 000	V09.005	RONDELLA PIANA D8X17 / PLAIN WASHER		4
37	145 1194 000	V02.005	VITE TE M6X25 / SCREW		1
38	145 9129 000	V09.012	RONDELLA PIANA D6X24 / PLAIN WASHER		1
39	145 5469 000		VITE TE M6X30 / SCREW		1
40	145 9773 000	V17.040	CHIAVETTA 6X6X20 / KEY		1
41	145 8345 000	V09.04800	RONDELLA PIANA D21X37 / PLAIN WASHER		1
42	145 9171 000	V09.025	RONDELLA PIANA D8X32 / PLAIN WASHER		1
43	145 4512 000	V11.005	RONDELLA SPACCATA D8 / OPEN WASHER		1
44	145 5215 000	V02.12860	VITE TE M5/16"X1 / SCREW		1
45	145 9116 000	V02.014	VITE TE M8X25 / SCREW		2
46	145 9320 000	V09.006	RONDELLA PIANA T 10X21 / PLAIN WASHER		2
47	145 1195 000	V11.006	RONDELLA SPACCATA D10 / OPEN WASHER		2
48	145 8005 000	V02.020	VITE TE M10X25 / SCREW		2
49	146 0161 00		GOMMA DEFLETTORE ARIA MOTORE / DEFLECTOR RUBBER		1
50	146 0247 000		TUBO D7 / PIPE		1
51	145 8582 000	V20.02200	FASCETTA TUBO 8-9/16 / PIPE CLAMP		5
52	146 0248 000		TUBO D7 / PIPE		1
53	145 9864 000	A11.00100	SPAZZOLA MOTORE ELETTRICO / CARBON BRUSH		4

SIDE BRUSH ASSEMBLY

56042400(1)00-03

Advance SR 1300 B Model 908 3013 010 - Advance Model SR 1300 Eco Model 908 3301 010



RIGHT SIDE BRUSH ASSEMBLY

56042400(1)00-03

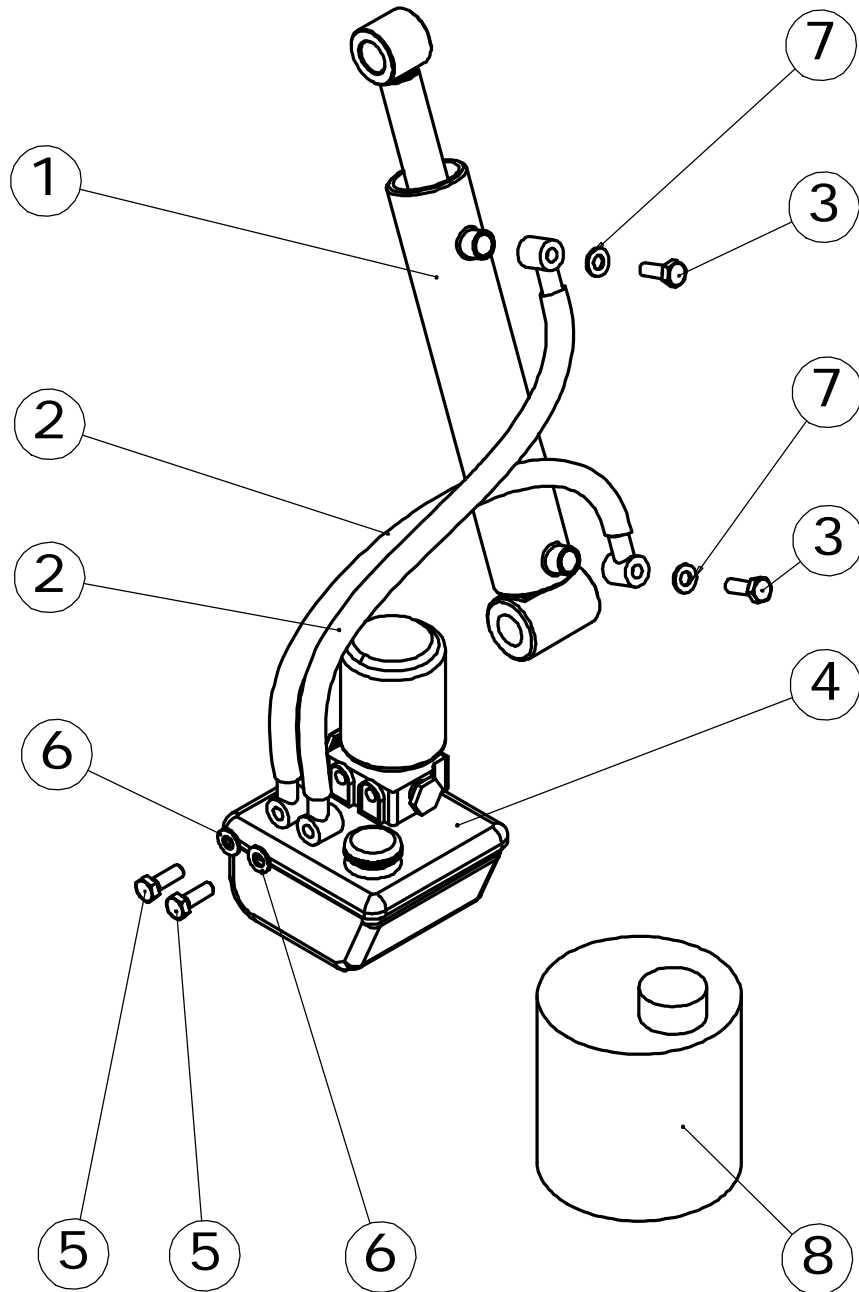
Advance SR 1300 B Model 908 3013 010 – Advance Model SR 1300 Eco Model 908 3301 010

POSIZ ITEM POS EINSAT	CODICE CODE CODE NUMMER	INTERNO INTERNAL INTERIEUR INTERNE	DESCRIZIONE DESCRIPTION DESCRIPTION BEZEICHNUNG	B	Eco
1	145 1900 000		SPAZZOLA LATERALE / SIDE BRUSH / BROSSSE LAT./ SEITENBÜRSTE	1	1
2	145 1825 000		SUPPORTO SPAZZOLA / BRUSH SUPPORT / SUPPORT BROSSSE / BÜRSTE HALTER	1	1
3	145 1951 000		PERNO SPAZZOLA LAT / PIT / AXE / STIFT	1	1
4	145 1792 000		PERNO SPAZZOLA LAT / PIT / AXE / STIFT	1	1
5	145 4812 000		FLANGIA PORTASPAZZOLA / FLANGE / FLASQUE / FLANSCH	1	1
6	#145 1777 000		MOTORIDUTTORE DX (AMER) / RIGHT REDUCTIONGEAR / MOTORED.DR. / REC. VERMINDERUNGSGETRIEBE	1	1
7	145 1831 000		STAFFA RIDUTTORE SPAZZOLA LATERALE / BRACKET / SUPPORT / BÜGEL	1	1
8	145 9245 000	V02.09003	VITE SX ZN. M6X16 / PLATED SCREW / VIS / SCHRAUBE	2	2
9	145 9624 000	V15.005	SPINA ELASTICA 3X20 / PIN / GOUPILLE / STIFT	1	1
10	145 2644 000	E04.09420	MOLLA A TAZZA Ø6.2X15X0.5 / SPRING / RESSORT / FEDER	1	1
11	145 9129 000	V09.012	RONDELLA PIANA Ø 6X24 / PLAIN WASHER / RONDELLE / BEILAGSCHEIBE	1	1
12	145 8024 000	V17.07000	LINGUETTA 5X5X25MM / TAB / CLAVETTE / KEIL	1	1
13	145 9261 000	V02.003	VITE TE M6X16 / SCREW / VIS / SCHRAUBE	4	4
14	145 9128 000	V09.004	ROSETTA PIANA 6.6X12.5 / PLAIN WASHER / RONDELLE / BEILAGSCHEIBE	4	4
15	145 6019 000	V01.02200	VITE TCEI -M5X50 / SCREW / VIS / SCHRAUBE	2	2
16	145 9133 000	V09.003	RONDELLA PIANA Ø 5 / PLAIN WASHER / RONDELLE / BEILAGSCHEIBE	2	2
17	145 8360 000	A11.00800	SPAZZOLA MOTORE ELETTRICO / CARBON BRUSH / CHARBONS / KOHLENBÜRSTE	2	2
18	145 1988 000		FERMO LEVA DX /RIGHT LEVER RETAINER / TIGE LEVIER / HEBEL HALTER	1	1
19	145 0285 000	F03.68750	LEVA / LEVER / LEVIER / HEBEL	1	1
20	145 4799 000		MICROINT. A ROTELLA / MICROSWITCH / MICROINTERRUPTEUR / MICROSCHALTER	1	1
21	145 8933 000	E08.15140	CAVO / CABLE / CABLE / KABEL	1	1
22	145 9746 000	L02.010	VOLANTINO 6X20 / KNOB / MOLETTE / HANDRAD	1	1
23	145 2390 000	E01.04910	BOCCOLA / BUSHING / BAGUE / BÜCHSE	1	1
24	145 1986 000		DISTANZIALE / SPACER / ENTRETOISE / ABSTANDSSTÜCK	1	1
25	145 1985 000		DISTANZIALE / SPACER / ENTRETOISE / ABSTANDSSTÜCK	1	1
26	145 0234 000	E02.59200	REGISTRO SPAZZOLA / SCREW / VIS / SCHRAUBE	1	1
27	145 9184 000	E04.007	MOLLA PER SUPPORTO SPAZZOLA / SPRING / RESSORT / FEDER	1	1

HYDRAULIC SYSTEM

56042400(1)00-03

Advance SR 1300 B Model 908 3013 010 – Advance Model SR 1300 Eco Model 908 3301 010



HYDRAULIC SYSTEM

56042400(1)00-03

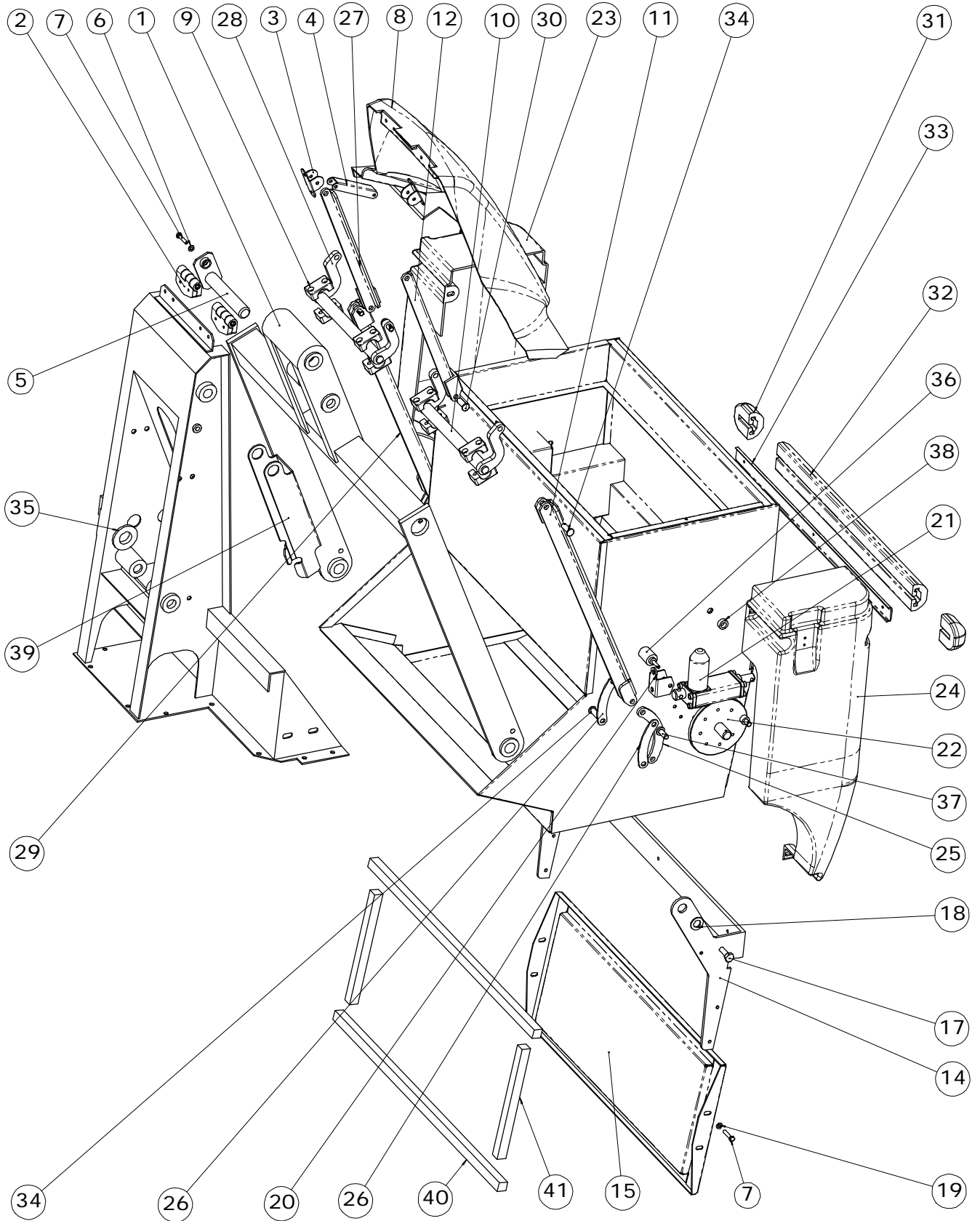
Advance SR 1300 B Model 908 3013 010 – Advance Model SR 1300 Eco Model 908 3301 010

POSIZ ITEM POS EINSAT	CODICE CODE CODE NUMMER	INTERNO INTERNAL INTERIEUR INTERNE	DESCRIZIONE DESCRIPTION DESCRIPTION BEZEICHNUNG	B	Eco
1	145 5654 000		PISTONE SOLLEVAMENTO / CYLINDER / CYLINDRE / ZYLINDER	1	1
2	145 5748 000		TUBO / TUBE / TUYAU / LEITUNG	2	2
3		M03.25680	VITE 3/8" / SCREW / VIS / SCHRAUBE	2	2
4	145 6005 000		MOTORE IDRAULICO CON CENTRALINA / HYDRAULIC MOTOR / MOTEUR HYDRAUL. / HYDRAULISCHEMOTOR	1	1
5	145 6022 000	M03.25800	VITE 1/8" / SCREW / VIS / SCHRAUBE	2	2
6	145 6020 000	M03.25690	GUARNIZIONE 1/8" / GASKET / JOINT / DICHTUNG	4	4
7	145 6021 000	M03.25710	GUARNIZIONE 3/8" / GASKET / JOINT / DICHTUNG	4	4
8	145 5465 000		OLIO (H.FLUID 32 HV) / OIL / OIL / ÖL	0,43 gal	0,43 gal

WASTE CONTAINER ASSEMBLY

56042400(1)00-03

Advance SR 1300 B Model 908 3013 010 – Advance Model SR 1300 Eco Model 908 3301 010



WASTE CONTAINER ASSEMBLY

56042400(1)00-03

Advance SR 1300 B Model 908 3013 010 – Advance Model SR 1300 Eco Model 908 3301 010

POSIZ ITEM POS EINSAT	CODICE CODE CODE NUMMER	INTERNO INTERNAL INTERIEUR INTERNE	DESCRIZIONE DESCRIPTION DESCRIPTION BEZEICHNUNG	B	Eco
1	145 5652 000		BRACCIO DI SOLLEVAMENTO / LIFTING ARM / BRAS / ARM	1	1
2	145 0399 000	L02.16080	CERNIERA COMPLETA / HINGE / CHARNIERE / SCHARNIER	2	2
3	145 5657 000		CERNIERA / HINGE / CHARNIERE / SCHARNIER	2	2
4	145 5653 000		ASTA COMANDO COPRIMONTANTE / CONTROL LEVER / LEVIER / STANGENANTRIEB	1	1
5	145 5656 000		PERNO SOLLEVAMENTO / PIN / AXE / STIFT	1	1
6	145 9128 000	V09.004	ROSETTA 6.6X12.5 / WASHER / RONDELLE / BEILAGSCHEIBE	1	1
7	145 1259 000	V03.020	VITE TESTA ESAG. M6X20 / SCREW / VIS / SCHRAUBE	5	5
8	145 5660 000		PROTEZIONE MONTANTE / UNDERCOVER / COUVERCLE / DECKEL	1	1
9	145 5776 000		COLLARE FISSATUBO D.25 / COLLAR / BRIDE / SCHELLE	4	4
10	145 5767 000		ALBERO DI ROTAZIONE SX / LEFT SHAFT / ARBRE GAU./ LIN.WELLE	1	1
11	145 5770 000		PUNTONE SX (SECONDO-2°) / LEFT PIN / AXE GAU. / LIN. STIFT	1	1
12	145 5769 000		PUNTONE SX (PRIMO-1°) / LEFT PIN / AXE GAU. / LIN. STIFT	1	1
14	145 5761 000		LEVA PORTELLO CASSONE / LEVER / LEVIER / STANGENANTRIEB	1	1
15	145 5775 000		PORTELLO CASSONE / HATCH / REGARD / Klappe	1	1
16	#		DELETED CODE	/	/
17	145 8005 000	V02.020	VITE TESTA ESAG M10X25 / SCREW / VIS / SCHRAUBE	2	2
18	145 9760 000	V09.009	ROSETTA 16X30 / WASHER / RONDELLE / BEILAGSCHEIBE	2	2
19	145 9128 000	V09.004	ROSETTA 6.4X12.5 / WASHER / RONDELLE / BEILAGSCHEIBE	4	4
20	145 5788 000		STAFFA PER ATTUATORE / BRACKET / SUPPORT / BÜGEL	1	1
21	145 5573 000		ATTUATORE / JACK / ACTIONNEUR / AKTUATOR	1	1
22	145 5764 000		PERNO CASSONE / PIN / AXE / STIFT	2	2
23	145 5782 000	1460358000	CARENATURA CASSONE DX / RIGHT COVER / BATI DR. / REC. VERKLEIDUNG	1	1
24	145 5785 000	1460357000	CARENATURA CASSONE SX / LEFT COVER / BATI GAU. / LIN. VERKLEIDUNG	1	1
25	145 5762 000		BRACCETTO DI ROTAZIONE / ARM / BRAS / ARM	2	2
26	145 5763 000		BRACCETTO DI VINCOLO / ARM / BRAS / ARM	4	4
27	145 5766 000		PUNTONE DX (PRIMO-1°) / RIGHT PIN / AXE DR. / REC STIFT	1	1
28	145 5768 000		ALBERO DI ROTAZIONE DX / RIGHT SHAFT / ARBRE DR. / REC. WELLE	1	1
29	145 5771 000		PUNTONE DX (SECONDO-2°) / RIGHT PIN / AXE DR. / REC STIFT	1	1
30	145 5772 000		PERNO PER PERNO DI RINVIO / PIN / AXE / STIFT	4	4
31	145 4640 000		TERMINALE PARACOLPI / TERMINAL / TERMINAL / TERMINAL	2	2
32	145 5778 000		PROTEZIONE POSTERIORE / REAR GUARD / PROTECTION AR. / HINT. SCHUTZ	1	1
33	145 5779 000		PIATTINA PROTEZIONE POSTERIORE / PLATE / PLAQUE / BAND	1	1
34	145 5773 000		PERNO PER BRACCETTI DI VINCOLO E ROTAZIONE / PIN / AXE / STIFT	2	2
35	145 5983 000		PASSACAVO / FAIRLEAD / GUIDE CABLE / KABELFÜHRUNG	2	2
36	145 5789 000		PERNO PORTA ATTUATORE / PIT / AXE / STIFT	1	1
37	145 5765 000		PERNO PER BRACCETTO DI VINCOLO / PIT / AXE / STIFT	2	2
38	#145 5806 000		DISTANZIALE / SPACER	2	2
39	145 5980 000		STAFFA SICUREZZA CILINDRO / BRACKET / SUPPORT / BÜGEL	1	1
40	146 0141 00		GUARNIZIONE 20x10x697 / GASKET / JOINT / DICHTUNG	2	2
41	146 0142 00		GUARNIZIONE 20x10x255 / GASKET / JOINT / DICHTUNG	2	2

Parts for machines with rear roller bumpers:

1460359000-Roller Bracket

1455627000-Roller Bumper

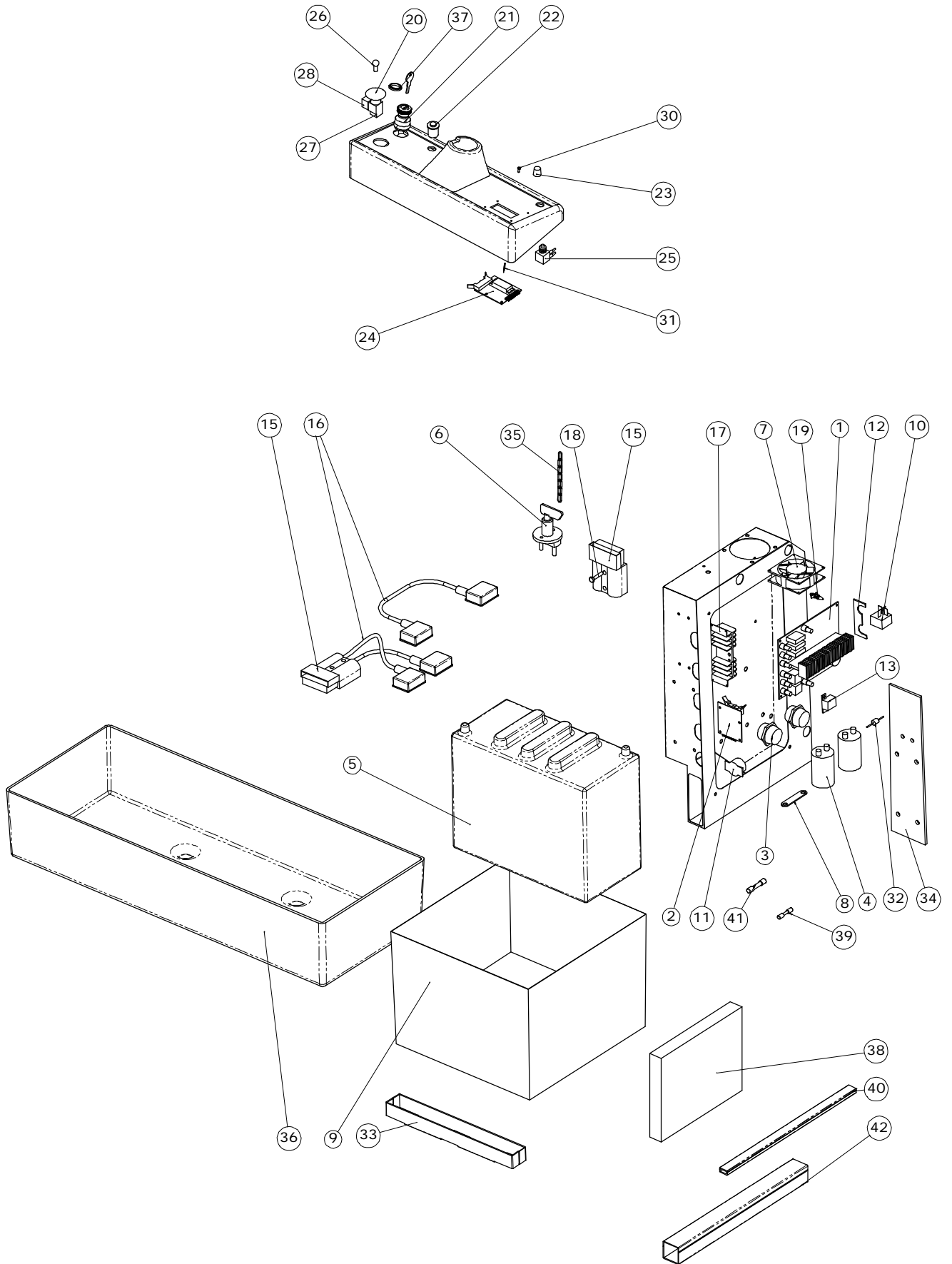
1460358000-Right Cover (item 23)

1460357000-Left Cover (item 24)

ELECTRONIC ASSEMBLY

56042400(1)00-03

Advance SR 1300 B Model 908 3013 010 – Advance Model SR 1300 Eco Model 908 3301 010



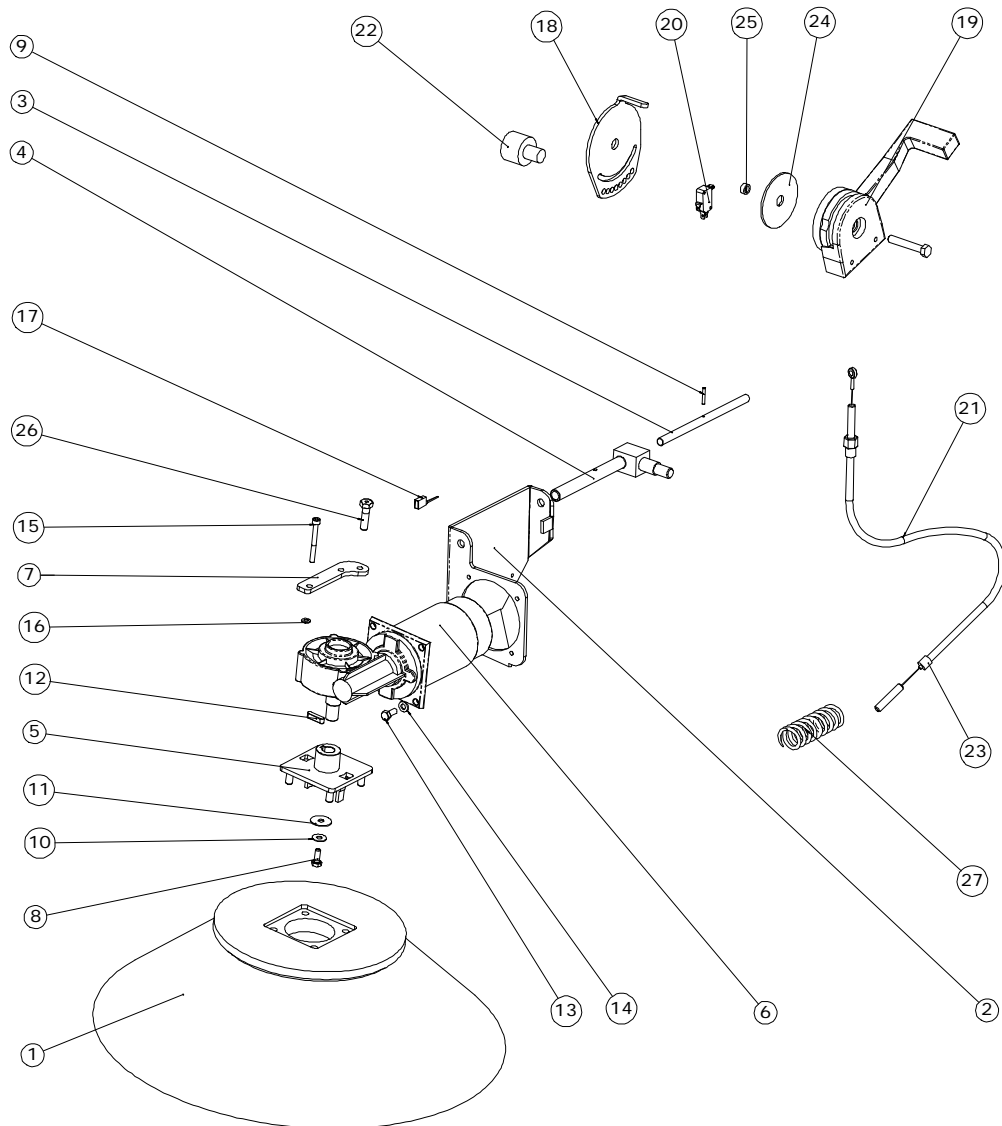
ELECTRONIC ASSEMBLY

56042400(1)00-03

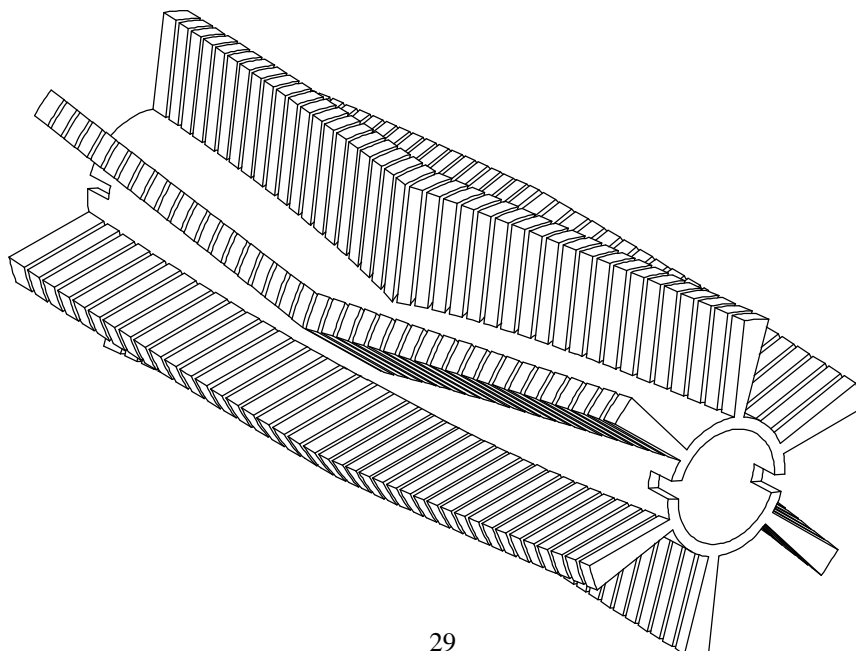
Advance SR 1300 B Model 908 3013 010 – Advance Model SR 1300 Eco Model 908 3301 010

POSIZ ITEM POS EINSAT	CODICE CODE CODE NUMMER	INTERNO INTERNAL INTERIEUR INTERNE	DESCRIZIONE DESCRIPTION DESCRIPTION BEZEICHNUNG	B	Eco
1	145 1785 000		SCHEDA / CARD / PLATINE / KARTE	1	1
2	145 5409 000		SCHEDA SOLLEVAMENTO / CARD / PLATINE / KARTE	1	1
3	145 8874 000	G02.12200	ISOLATORE / SWITCH / INTERRUPTEUR / SCHALTER	2	2
4	145 0300 000	G02.10800	TELERUTTORE / ELECTROMAGN.SWITCH / TELERUPTEUR / SCHALTER	1	2
5	56206962		BATTERIA 12 V 105 AH @20/ BATTERY 12 V 105 AH @20 / BATTERIE		2
5	56391391		BATTERIA 6V 305 AH/ BATTERY 6V 305 AH / BATTERIE	4	
6	145 1779 000		BLOCCA BATTERIA / BLOCK / BLOC / ANPASSKÖRPERF	1	1
7	145 2298 000	B03.02300	VENTOLA / FAN / VENT / FLÜGEL	1	1
8	145 4616 000		PIATTINA PONTE TELERUTTORI / PLATE / PLAQUE / BAND		1
9	145 0504 000	H01.25910	CONTENITORE BATTERIE / CONTAINER / BAC / BEHAELTER		1
10	145 8512 000	G02.12100	RELE' / RELAY / RELAIS / RELAIS	1	2
11	145 8877 000	G09.00300	AVVISATORE / HORN / AVERTISSEUR / HÜPE	1	1
12	145 1980 000		FUSIBILE 100 A / FUSE / FUSIBLE / SICHERUNG	1	1
13	145 4615 000		RESISTENZA 0,56 OHM 50 W / RESISTANCE / RESISTANCE / WIDERSTAND	1	1
15	145 6063 000		CONNETTORE / CONNECTOR / PRISE / KPPLUNGSSTÜCK	1	1
16	146 0154 00		KIT CAVI BATTERIA / CABLES / CABLE / KABEL	1	
16	145 6077 000		KIT CAVI BATTERIA / CABLES / CABLE / KABEL		1
17	145 5502 000		DISSIPATORE COMPLETO / HEAT WASTE / DISSIPATEUR / WÄRMEVERLUFT		1
18	145 5469 000		VITE AUTOBLOC.M 6X30 / SELF LOCKING SCREW / VIS / KLEMMSCHRAUBE	1	1
19	145 0516 000	L02.13700	DISTANZIALE / SPACER / ENTRETOISE / ABSTANDSSTÜCK	6	6
20	145 8884 000	G05.10200	INTERRUTTORE A FUNGO / SWITCH / INTERRUPTEUR / SCHALTER	1	1
21	146 0006 00		INTERRUTTORE A CHIAVE / SWITCH / INTERRUPTEUR / SCHALTER	1	1
22	145 8885 000	G05.08200	PULSANTE / PUSH BUTTON / BOUTON POUSSOIR / KNOFF	1	1
23	145 4719 000		MANOPOLA / KNOB / POIGNE / DREHKNOPF	1	1
24	145 5703 000		SCHEDA DISPLAY / CARD / PLATINE / KARTE	1	1
25	145 4718 000		POTENZIOMETRO / POTENTIOMETER / POTENTIOMETRE / POTENTIOMETER	1	1
26	145 1233 000	G11.008	LAMPADINA / LAMP / LAMPE / LAMPE	1	1
27	145 8890 000	G03.08100	CONTATTO / CONTACT / CONTACT / KONTAKT	1	1
28	145 8889 000	G03.08000	CONTATTO / CONTACT / CONTACT / KONTAKT	1	1
30	145 1720 000	L02.16200	VITE IN PLASTICA / SCREW / VIS / SCHRAUBE	4	4
31	145 1719 000	L02.16190	DISTANZIALE / SPACER / ENTRETOISE / ABSTANDSSTÜCK	4	4
32	145 3684 000	G01.005	DIODO / DIODE / DIODE / DIODE		1
33	145 4663 000		TELAIO FISSA PORTA BATTERIE / BATTERY CONTAINER FRAME / CHASSIS / RAHMEN		1
34	145 5807 000		SPUGNA ANTI POLVERE / DUST PROOF FILTER / FILTER / STAUBSCHUTZSCHWAMM	1	1
35	145 5358 000		CATENA / CHAIN / CHAINE / KETTE	3,54 in	3,54 in
36	145 6126 000		CONTENITORE BATTERIE / CONTAINER / BAC / BEHAELTER	1	
37	145 2696 000	E05.18900	DISTANZIALE / SPACER / ENTRETOISE / ABSTANDSSTÜCK	1	1
38	145 6095 000		PANNELLO / RESTRAIN / PANNEAU / BATTERIE PANEL	2	
39	145 9481 000	G11.03700	FUSIBILE 2.5A IN VETRO/ GLASS FUSE	1	1
40	145 5899 000		CANALINA 22X10 / CABLE PROTECTION / KABEL SCHUTZ	1	1
41	145 8511 000	G11.07000	FUSIBILE 5A IN VETRO / GLASS FUSE	1	1
42	145 5898 000		CANALINA 40X40 / CABLE PROTECTION / KABEL SCHUTZ	1	1

OPT 1: GRUPPO SPAZZOLA LATERALE SX / LEFT SIDE BRUSH



OPT 2: SPAZZOLA CENTRALE / MAIN BRUSH



MAIN ACCESSORIES

56042400(1)00-03

Advance SR 1300 B Model 908 3013 010 – Advance Model SR 1300 Eco Model 908 3301 010

POSIZ ITEM POS EINSAT	CODICE CODE CODE NUMMER	INTERNO INTERNAL INTERIEUR INTERNE	DESCRIZIONE DESCRIPTION DESCRIPTION BEZEICHNUNG	B	Eco
--------------------------------	----------------------------------	---	--	---	-----

OPT 1: GRUPPO SPAZZOLA LATERALE SX / LEFT SIDE BRUSH

OPT 1: GRUPPO SPAZZOLA LATERALE SX / LEFT SIDE BRUSH					
145 5889 000		GRUPPO SPAZZOLA LATERALE SX STD (PPL) / LEFT SIDE BRUSH STD KIT (PPL)			
145 5891 000		GRUPPO SPAZZOLA LATERALE SX LEGGERA (PPL) / LEFT SIDE BRUSH KIT LIGHT (PPL)			
145 5890 000		GRUPPO SPAZZOLA LATERALE SX FORTE (MISTO ACCIAIO) / LEFT SIDE BRUSH KIT HARD (UNION MIX)			
1	145 1900 000		SPAZZOLA LATERALE STD (PPL) / SIDE BRUSH STD (PPL) / BROSSE LAT./ SEITENBÜRSTE	1	1
1	145 4965 000		SPAZZOLA LATERALE LEGGERA (PPL) / SIDE BRUSH LIGHT (PPL) / BROSSE LAT./ SEITENBÜRSTE		
1	145 4964 000		SPAZZOLA LATERALE FORTE (MISTO ACCIAIO) / SIDE BRUSH HARD (UNION MIX) / BROSSE LAT./ SEITENBÜRSTE GEMISCHT STAHL		
2	145 1824 000		SUPPORTO SPAZZOLA / BRUSH SUPPORT / SUPPORT BROSSE / BÜRSTEN HALTER	1	1
3	145 1951 000		PERNO SPAZZOLA LAT / PIT / AXE / STIFT	1	1
4	145 1792 000		PERNO SPAZZOLA LAT / PIT / AXE / STIFT	1	1
5	145 4812 000		FLANGIA PORTASPAZZOLA / FLANGE / FLASQUE / FLANSCH	1	1
6	#145 1786 000		MOTORIDUTTORE SX (AMER) / RIGHT REDUCTIONGEAR / MOTORED.DR. / REC. VERMINDERUNGSGETRIEBE	1	1
7	145 1831 000		STAFFA RIDUTTORE SPAZZOLA LATERALE / BRACKET / SUPPORT / BÜGEL	1	1
8	145 9245 000	V02.09003	VITE SX ZN. M6X16 / PLATED SCREW / VIS / SCHRAUBE	2	2
9	145 9624 000	V15.005	SPINA ELASTICA 3X20 / PIN / GOUPILLE / STIFT	1	1
10	145 2644 000	E04.09420	MOLLA A TAZZA Ø6.2X15X0.5 / SPRING / RESSORT / FEDER	1	1
11	145 9129 000	V09.012	RONDELLA PIANA Ø 6X24 / PLAIN WASHER / RONDELLE / BEILAGSCHEIBE	1	1
12	145 8024 000	V17.07000	LINGUETTA 5X5X25MM / TAB / CLAVETTE / KEIL	1	1
13	145 9261 000	V02.003	VITE TE M6X16 / SCREW / VIS / SCHRAUBE	4	4
14	145 9128 000	V09.004	ROSETTA PIANA 6.6X12.5 / PLAIN WASHER / RONDELLE / BEILAGSCHEIBE	4	4
15	145 6019 000	V01.02200	VITE TCEI -M5X50 / SCREW / VIS / SCHRAUBE	2	2
16	145 9133 000	V09.003	RONDELLA PIANA Ø 5 / PLAIN WASHER / RONDELLE / BEILAGSCHEIBE	2	2
17	145 8360 000	A11.00800	SPAZZOLA MOTORE ELETTRICO / CARBON BRUSH / CHARBONS / KOHLENBÜRSTE	2	2
18	#145 1987 000		FERMO LEVA SX / LEVER RETAINER / TIGE LEVIER / HEBEL HALTER	1	1
19	145 0285 000	F03.68750	LEVA / LEVER / LEVIER / HEBEL	1	1
20	145 4799 000		MICROINT. A ROTELLA / MICROSWITCH / MICROINTERRUPTEUR / MICROSCHALTER	1	1
21	145 8933 000	E08.15140	CAVO / CABLE / CABLE / KABEL	1	1
22	145 9746 000	L02.010	VOLANTINO 6X20 / KNOB / MOLETTE / HANDRAD	1	1
23	145 2390 000	E01.04910	BOCCOLA / BUSHING / BAGUE / BÜCHSE	1	1
24	145 1986 000		DISTANZIALE / SPACER / ENTRETOISE / ABSTANDSSTÜCK	1	1
25	145 1985 000		DISTANZIALE / SPACER / ENTRETOISE / ABSTANDSSTÜCK	1	1
26	145 0234 000	E02.59200	REGISTRO SPAZZOLA / SCREW / VIS / SCHRAUBE	1	1
27	145 9184 000	E04.007	MOLLA PER SUPPORTO SPAZZOLA / SPRING / RESSORT / FEDER	1	1

OPT 2: SPAZZOLA CENTRALE / MAIN BRUSH

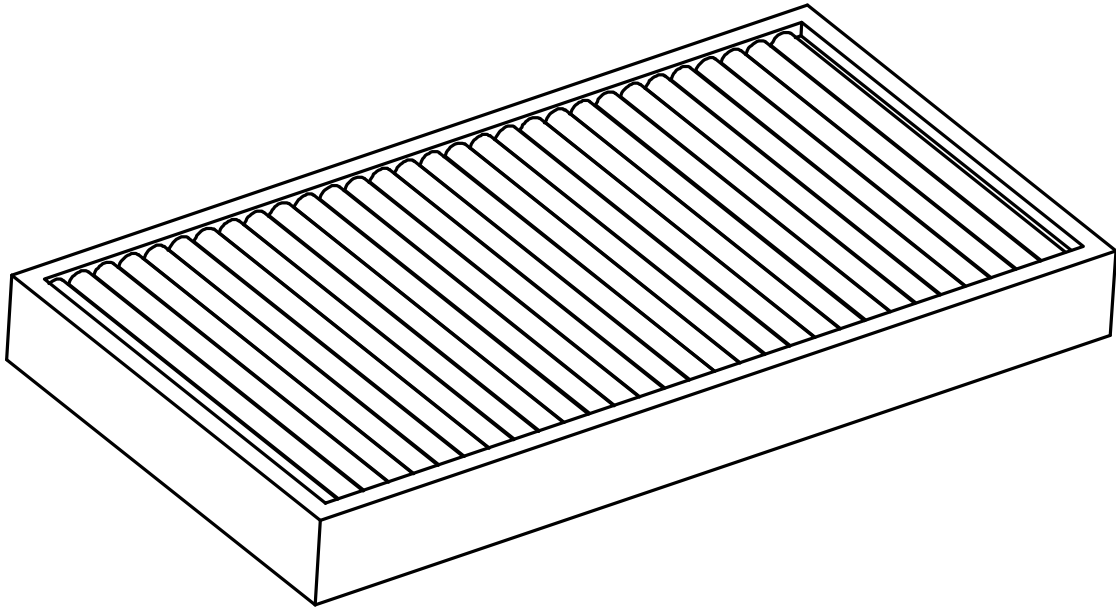
	145 4881 000		SPAZZOLA CENTRALE STD (PPL) / CENTRAL BRUSH STD (PPL) / BROSSE CENTR. / ZENTRALBÜRSTE	1	1
	145 4968 000		SPAZZOLA CENTRALE LEGGERA (PPL) / CENTRAL BRUSH LIGHT (PPL) / BROSSE CENTR. / ZENTRALBÜRSTE	1	1
	145 4963 000		SPAZZOLA CENTRALE FORTE (MISTO ACCIAIO) / CENTRAL BRUSH HARD (UNION MIX) / BROSSE CENTR. / ZENTRALBÜRSTE STAHL GEMISCHT	1	1

MAIN ACCESSORIES

56042400(1)00-03

Advance SR 1300 B Model 908 3013 010 – Advance Model SR 1300 Eco Model 908 3301 010

OPT 3: FILTRO IN POLIESTERE / POLYESTER FILTER



	MAIN ACCESSORIES	
--	-------------------------	--

56042400(1)00-03

Advance SR 1300 B Model 908 3013 010 – Advance Model SR 1300 Eco Model 908 3301 010

POSIZ ITEM POS EINSAT	CODICE CODE CODE NUMMER	INTERNO INTERNAL INTERIEUR INTERNE	DESCRIZIONE DESCRIPTION DESCRIPTION BEZEICHNUNG	B	Eco
--------------------------------	----------------------------------	---	--	----------	------------

OPT 3: FILTRO IN POLIESTERE / POLYESTER FILTER

	145 6013 000		FILTRO LAVABILE IN POLIESTERE / WASHABLE POLYESTER FILTER	1	1
--	--------------	--	---	---	---

LIST OF RECOMMENDED SPARE PARTS

56042400(1)00-03

Advance SR 1300 B Model 908 3013 010 – Advance Model SR 1300 Eco Model 908 3301 010

CODE	INTERNAL CODE	ITEM DESCRIPTION	REF. PAGE	ITEM	CLASS	NOTE
145 4653 000		FLAP ANTERIORE / FRONT FLAP	4	6	W	
145 4654 000		FLAP POSTERIORE / REAR FLAP	4	31	W	
145 4881 000		SPAZZOLA CENTRALE / MAIN BRUSH	17	20	W	
145 5665 000		FILTRO IN CARTA / FILTER	15	8	W	
145 5927 000		FLAP LATERALE SX / LEFT SIDE FLAP	4-17	29-44	W	
145 1851 000		CINGHIA HTD 5M 15 710 / BELT	17	30	OM	
145 2352 000	D02.006	GOMMA RUOTA / TYRE	9-11	32-46	OM	
145 6115 000		CINGHIA DENTATA HTD 615 5M 25 / TOOTH BELT	19	16	OM	Eco version only
145 6116 000		FILTRO ARIA / AIR FILTER	19	27	OM	Eco version only
145 8360 000	A11.00800	SPAZZOLA MOTORE ELETTRICO / CARBON BRUSH	21-17	17-31	OM	
145 9864 000	A11.00100	SPAZZOLA MOTORE ELETTRICO / CARBON BRUSH	9-19	14-25	OM	Page 19: Eco version only
145 0269 000	E02.68870	MOZZO SX SPAZZOLA CENTRALE / LEFT HUB FOR MAIN BRUSH	17	2	EM	
145 0270 000	E00.023	CUSCINETTO (6001)12X28X8 / BALL BEARING	17	24	EM	
145 0271 000	E04.09460	MOLLA SPAZZOLA CENTR./ SPRING	17	25	EM	
145 0283 000	G02.13660	POTENZIOMETRO / POTENTIOMETER	13	3	EM	
145 0285 000	F03.68750	LEVA / LEVER	21	19	EM	
145 0300 000	G02.10800	TELERUTTORE/ELECTROMAG.SWITCH	27	4	EM	
145 0516 000	L02.13700	DISTANZIALE / SPACER	27	19	EM	
145 1775 000		MOTORE SPAZZOLA (AMER 24V 500W 1600 RPM IP 44) / BRUSH MOTOR	17	4	EM	
145 1785 000		SCHEDA / CARD	27	1	EM	
145 1786 000		MOTORIDUTTORE DX (AMER) / RIGHT REDUCTIONGEAR	21	6	EM	
145 1872 000		ALZAFLAP / FLAP RAISING DEVICE	4	8	EM	
145 1950 000		DISTANZIALE / SPACER	17	6	EM	
145 1980 000		FUSIBILE 100 A / FUSE	27	12	EM	
145 2244 000	L02.16020	VOLANTINO PORTELLO / KNOB	17	42	EM	
145 4718 000		POTENZIOMETRO / POTENTIOMETER	27	25	EM	
145 4799 000		MICROINT.A ROTELLA / MICROSWITCH	21-13	20-5	EM	
145 4812 000		FLANGIA PORTASPAZZOLA / FLANGE	21	5	EM	
145 4821 000		CAVO ALZAFLAP / CABLE	13	33	EM	
145 5035 000	L02.16070	VOLANTINO FEMMINA / KNOB	17	29	EM	
145 5409 000		SCHEDA SOLLEVAMENTO / CARD	27	2	EM	
145 5410 000		COMANDO JOYSTICK / JOYSTICK LEVER	7	9	EM	
145 5468 000		CAVO FRENO A MANO / BRAKE CABLE	13	30	EM	
145 5518 000	G11.023	LAMPADINA 24V 23W / LAMP	11	36	EM	
145 5573 000		ATTUATORE CON MICRO. / JACK WITH MICRO.	17-25	34-21	EM	
145 5661 000		MOZZO DX SPAZ.CENTRALE / R HUB	17	3	EM	
145 5696 000		TAPPO SERBATOIO CARB. / CAP	7	6	EM	Eco version only
145 5709 000		LEVA DEVIO MAGGIORATO / LEVER	11	35	EM	
145 5715 000		SERIGRAFIA PLANCIA / ADHESIVE	11	39	EM	
145 5800 000		CAVO CON FORCELLA DX / R. CABLE	13	31	EM	
145 5801 000		CAVO CON FORCELLA SX / L. CABLE	13	32	EM	
145 5865 000		CHIUSURA COPERCHIO / CLAMP	15	17	EM	
145 5866 000		PIASTRINA AGGANCIO / PLATE	15	18	EM	
145 6064 000		PIASTRINA DI RINFORZO / PLATE	15	5	EM	
146 0141 00		GUARNIZIONE 20x10x697	26	41	OM	
146 0142 00		GUARNIZIONE 20x10x255	26	42	OM	
145 8024 000	V17.07000	LINGUETTA 5X5X25 / TAB	17-21	9-12	EM	
145 8054 000	L02.07900	ANTIVIBRANTE / VIBRATION DAMPING	19	2	EM	Eco version only
		FUSIBILE/FUSE	27	39	EM	
145 6063 000		CONNETTORE / CONNECTOR	27	15	EM	
145 8366 000	G05.002	PULSANTE / PUSH BUTTON	11	41	EM	Eco version only
145 8479 000	V17.027	TESTA A SNODO / ARTICULATED	13	8	EM	

	LIST OF RECOMMENDED SPARE PARTS	
--	--	--

56042400(1)00-03

Advance SR 1300 B Model 908 3013 010 – Advance Model SR 1300 Eco Model 908 3301 010

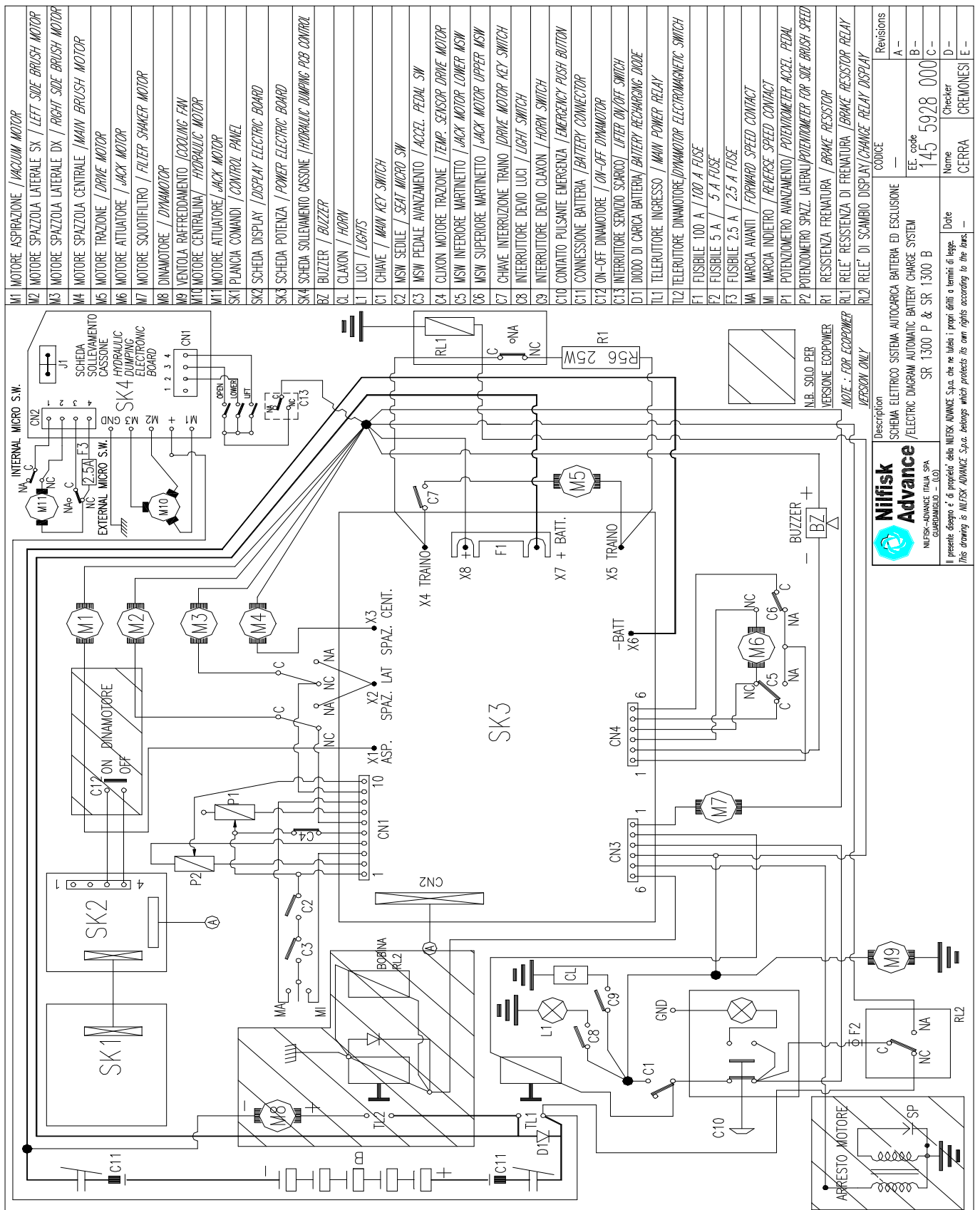
CODE	INTERNAL CODE	ITEM DESCRIPTION	REF. PAGE	ITEM	CLASS	NOTE
		HEAD				
145 8512 000	G02.12100	RELE' / RELAY	27	10	EM	
146 0006 00	G05.10100	INTERRUTTORE A CHIAVE / SWITCH	27	21	EM	
	G11.07000	FUSIBILE 5A / GLASS FUSE	27	41	EM	
	G11.03700	FUSIBILE 2,5A / GLASS FUSE	27	39	EM	
145 8885 000	G05.08200	PULSANTE / PUSH BUTTON	27	22	EM	
145 8933 000	E08.15140	CAVO / CABLE	21	21	EM	
145 9184 000	E04.007	MOLLA SUPPORTO SPAZZOLA / SPRING	21	27	EM	
145 9746 000	L02.010	VOLANTINO 6X20 / KNOB	21	22	EM	

CLASS:**W** = NORMAL WEAR PART**OM** = ORDINARY MAINTENANCE**EM** = EXTRA-ORDINARY MAINTENANCE

ELECTRICAL DIAGRAM

56042400(1)00-03

Advance SR 1300 B Model 908 3013 010 – Advance Model SR 1300 Eco Model 908 3301 010



Revisions	
CODE	A-
EE code	B-
145 5928 000	C-
Name	Checker CREMONESI E-
CERRA	

Description	
SCHEMA ELETTRICO SISTEMA AUTOCARICA BATTERIA ED ESCLUSIONE	
ELECTRIC DIAGRAM AUTOMATIC BATTERY CHARGE SYSTEM	
SR 1300 P & SR 1300 B	
Date	

Nilfisk Advance
 NILFISK-ADVANCE ITALIA SPA
 GUARDASUOLA - (LO)
 Il presente disegno è di proprietà della NILFISK-ADVANCE S.p.a. che tutela i propri diritti e termini di legge.
 This drawing is NILFISK-ADVANCE S.p.a. belongs which protects its own rights according to the laws.



**Nilfisk
Advance**
setting standards

Nilfisk-Advance, Inc.
14600 21st Avenue North
Plymouth, MN, 55447-3408
www.nilfisk-advance.com
Phone: 800-989-2235
Fax: 800-989-6566

©1999 Nilfisk-Advance, Inc.,
Plymouth, MN 55447-3408
Printed in the U.S.A.