



Electronic Service Manuals

This electronic document is provided as a service to our customers. We do not create the contents of the information contained in this document. Should you have detailed questions pertaining to the information contained in this document, you may contact Michco, or the manufacturer which provided the original information in this electronic deliverable. Michco's only part in this electronic deliverable was the electronic assembly process.

You may contact Michco through the following methods:
Phone (517) 484-9312 or (800) 331-3339 MI, OH, IN only
2011 N. High St. -- Lansing, Michigan -- 48906
Fax: (517) 484-9836
Email: CustServ@Michco.com
Web site: www.Michco.Com
Parts Web site: www.FloorMachineParts.Com

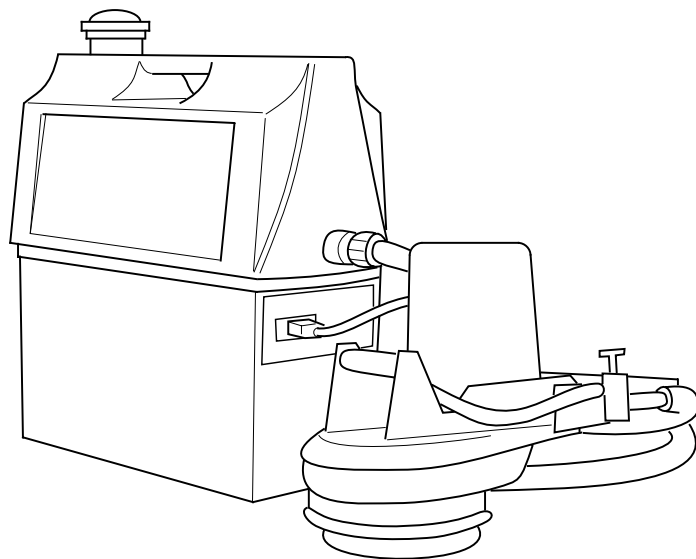
Order Parts on Line at:
www.FloorMachineParts.Com

Directly to Parts & Service:
By Email: **Shop@Michco.com**
By Fax: (517) 702-2041
By Voice: Use numbers above.

Serving the Cleaning Industry Since 1922

Notice: All copyrighted material remains property of original owners, all trademarks are property of respective owners. Manuals are subject to Manufacturer's reproduction limitations. Originals or reproductions were provided by manufacturers through a request. We make no warranty as to the correctness of information provided in this document and you assume all risk.

SH 120 / SH 120T



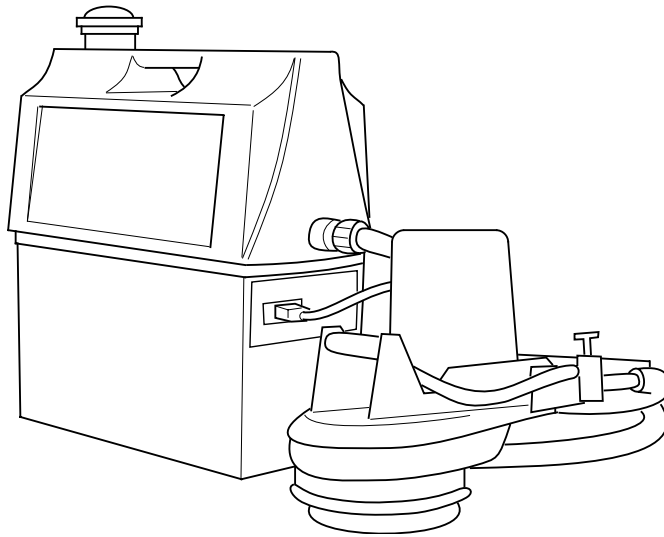
PARTS LIST **Nilfisk MODELS 56254500, 56254505**



Nilfisk
Advance
setting standards

6/97 revised 11/99 FORM NUMBER 56042328
BOOK C SECTION 3.6.1

97-6	TABLE OF CONTENTS	BOOK C		
99-11	SH 120	C	3.6.1	1

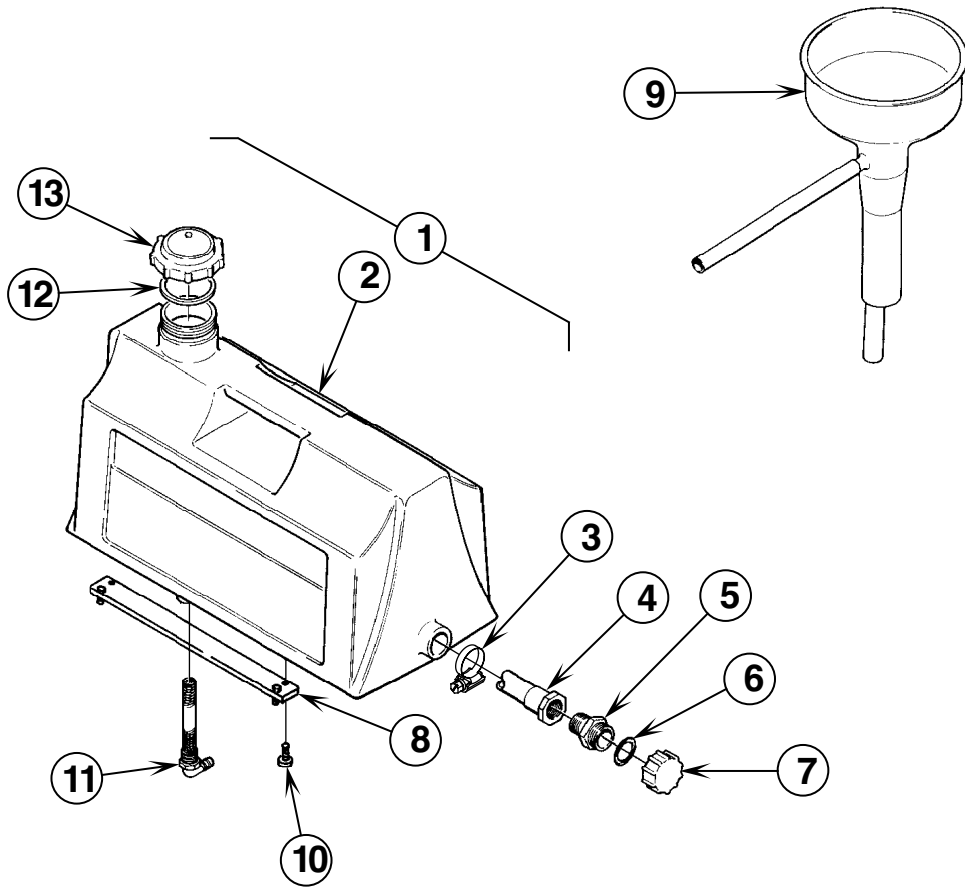


<u>DESCRIPTION</u>	<u>PLAN</u>
Tank Assembly	C-3.6.1-3
SH 120T Power Head	C-3.6.1-5
Compressor Assembly	C-3.6.1-7
Compressor	C-3.6.1-9

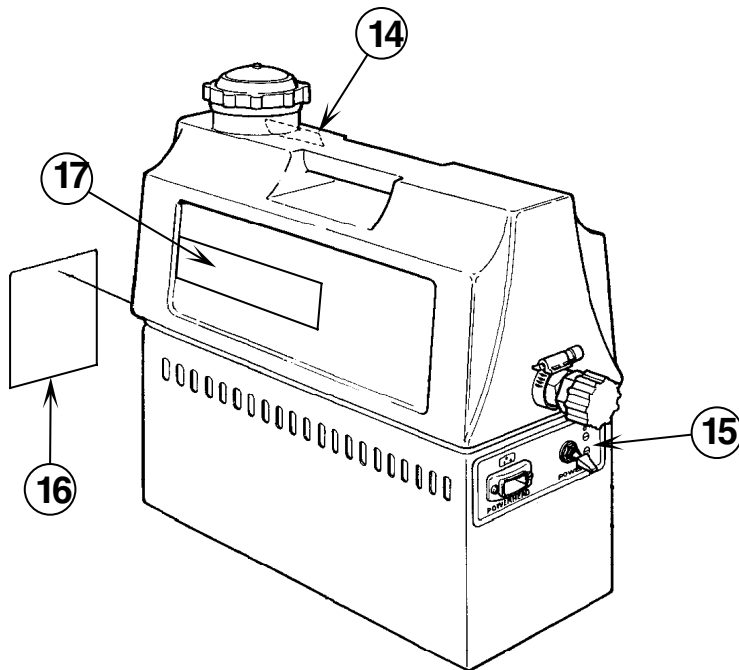
WHEN ORDERING PARTS

- * Use the 8 digit numbers from the "Ref. No." columns in this parts list.
- * Specify the model and serial number of the machine.
- * Use the space below to record the model and serial number for future reference.

Model _____ Serial No. _____

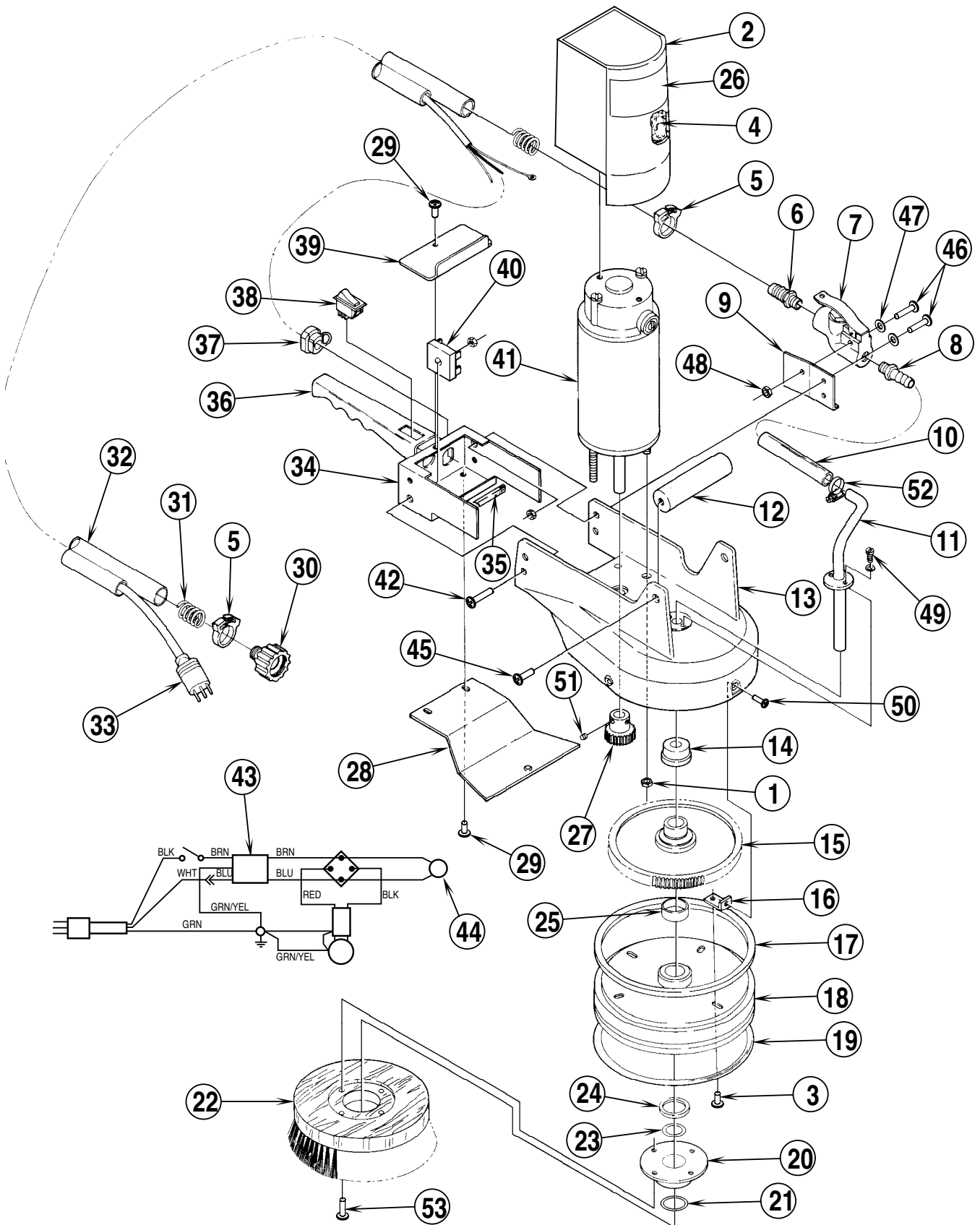


DECAL PLACEMENT



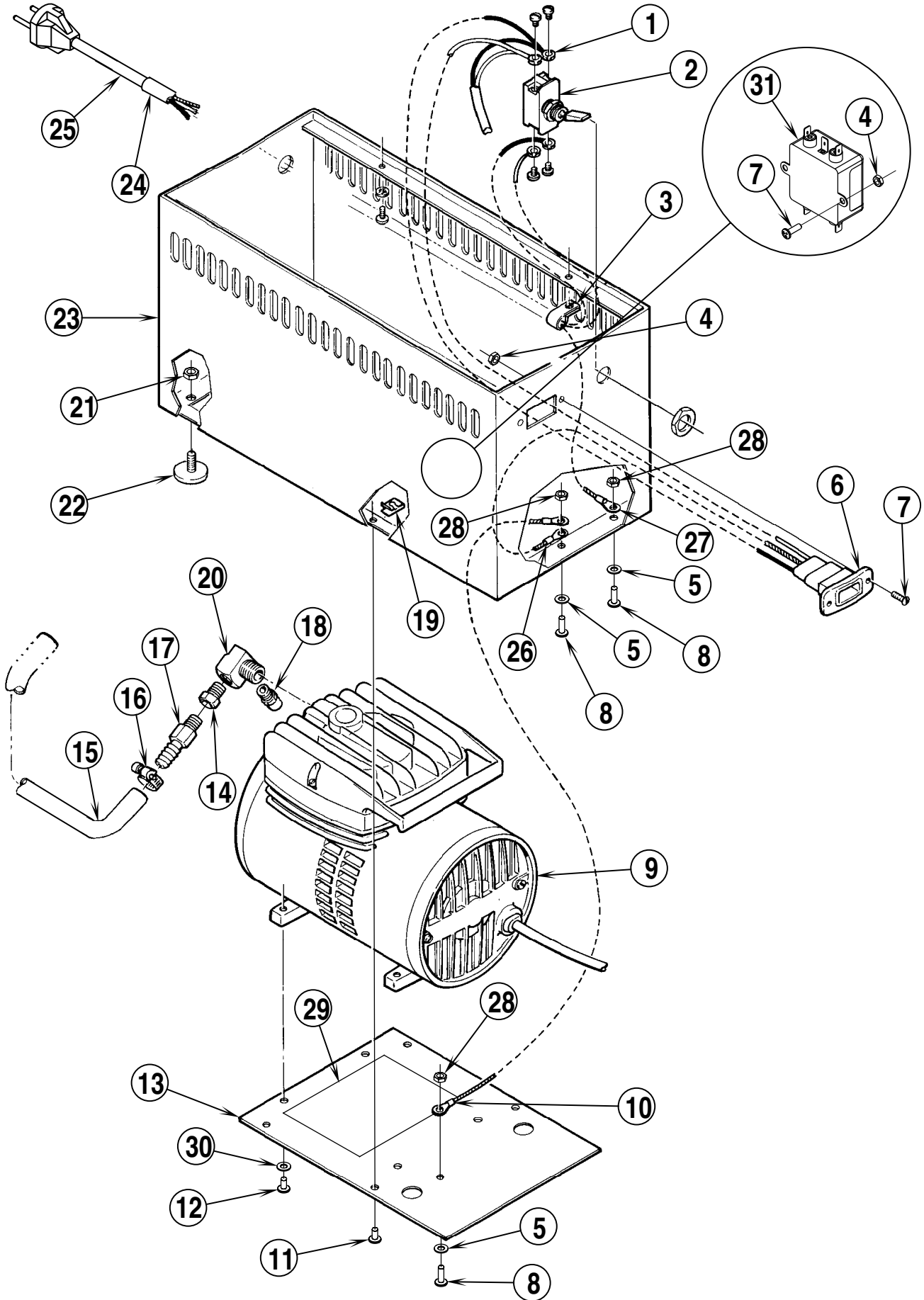
97-6	TANK ASSEMBLY	BOOK C		
99-11	SH 120	C	3.6.1	3

Item	Ref. No.	Qty	Description
1	56254502	1	Tank Assembly
2	56254213	1	Detergent Tank
3	56244969	1	Hose Clamp
4	56254032	1	Tube Assembly
5	56244980	1	Adapter
6	56368776	1	Rubber Washer
7	56255076	1	Cap
8	56254027	2	Adapter Plate
9	56220426	1	Funnel
10	56002001	4	Scr, Pan Phil 10-32 x .38
11	56244987	1	Bubler Fitting
12	56244979	1	Gasket
13	56244866	1	Cap
14	56015121	1	Decal, Instruction
15	56014573	1	Decal, Power
16	56014845	1	Decal, Caution
17	56015983	2	Decal, Nilfisk SH 120



97-6	SH 120T POWER HEAD	BOOK C		
99-11	SH 120	C	3.6.1	5

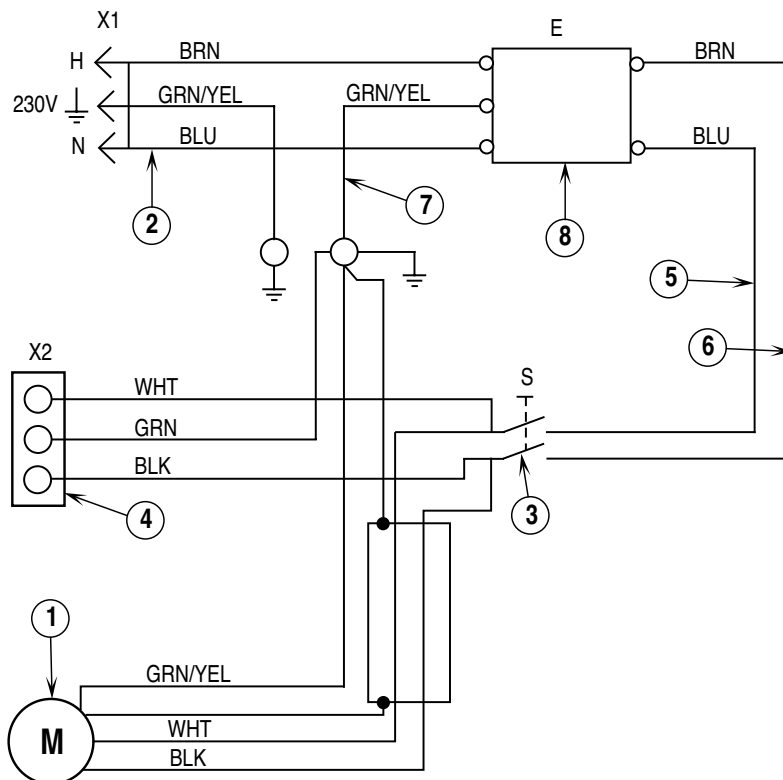
Item	Ref. No.	Qty	Description
	56254505	1	SH 120T Powerhead
1	56003053	2	Nut, Hex Nyl Loc-Thin 10-32
2	56254506	1	Housing
3	56009075	3	Scr, Hex Thd Form 8-32 x .38
4	56254258	1	Sound Reduction Foam
5	56254142	2	Hose Clamp
6	56900750	1	Barb
7	56254256	1	Valve
8	56155640	1	Barb
9	56254253	1	Bracket Weldment
10	56257534	1	Tube
11	56254072	1	Tube Weldment
12	56254046	1	Handle
13	56254217	1	Casting
14	56250414	1	Bushing
15	56254061	1	Gear Assembly
16	56254050	3	Angle
17	56325324	16.5"	Gasket (42 cm)
18	56254064	1	Shroud Weldment
19	56254065	1	Bumper
20	56251105	1	Adapter Brush
21	56251220	1	Quad Ring Seal
22	56251127	1	Brush
23	56253165	1	O-Ring
24	56250716	1	Seal
25	56250694	1	Bushing
26	56015982	1	Decal, Nilfisk SH 120
27	56254257	1	Spur Gear
28	56254254	1	Cover Weldment
29	56009030	5	Scr, Pan Phil Thd Form 10-24 x .38
30	56237045	1	Barb
31	56257856	2	Spring
32	56237041	1	Tube
33	56254053	1	Cord Set
	56254218	1	Hose / Cord Assembly (items 30-33)
34	56254261	1	Handle Weldment
35	56385448	4"	Gasket
36	56254263	1	Grip
37	56382818	1	Strain Relief
38	56254262	1	Switch
39	56254260	1	Handle Cover
40	56180163	1	Rectifier
41	56254230	1	Motor Assembly
	56329651	1	Carbon Brush Cap
	56329655	1	Carbon Brush Set
42	56009029	3	Scr, Pan Phil Thd Form 10-24 x .50
43	56254234	1	Filter, RFI
44	56387554	1	Varistor Assembly
45	56002066	2	Scr, Pan Phil 1/4-20 x .62
46	56002824	2	Scr, Pan Phil 10-24 x 1.25
47	56009011	2	Wsh, Int Shprf #10
48	56002832	4	Nut, Hex Nyl Loc-Thin 10-24
49	56009044	2	Scr, Pan Phil 6-32 x .31
50	56002306	3	Scr, Flt Phil 8-32 x .38
51	56002279	2	Scr, Soc Set Loc 8-32 x .25
52	56756364	1	Hose Clamp
53	56003001	4	Scr, Pan Phil SS 10-24 x .62



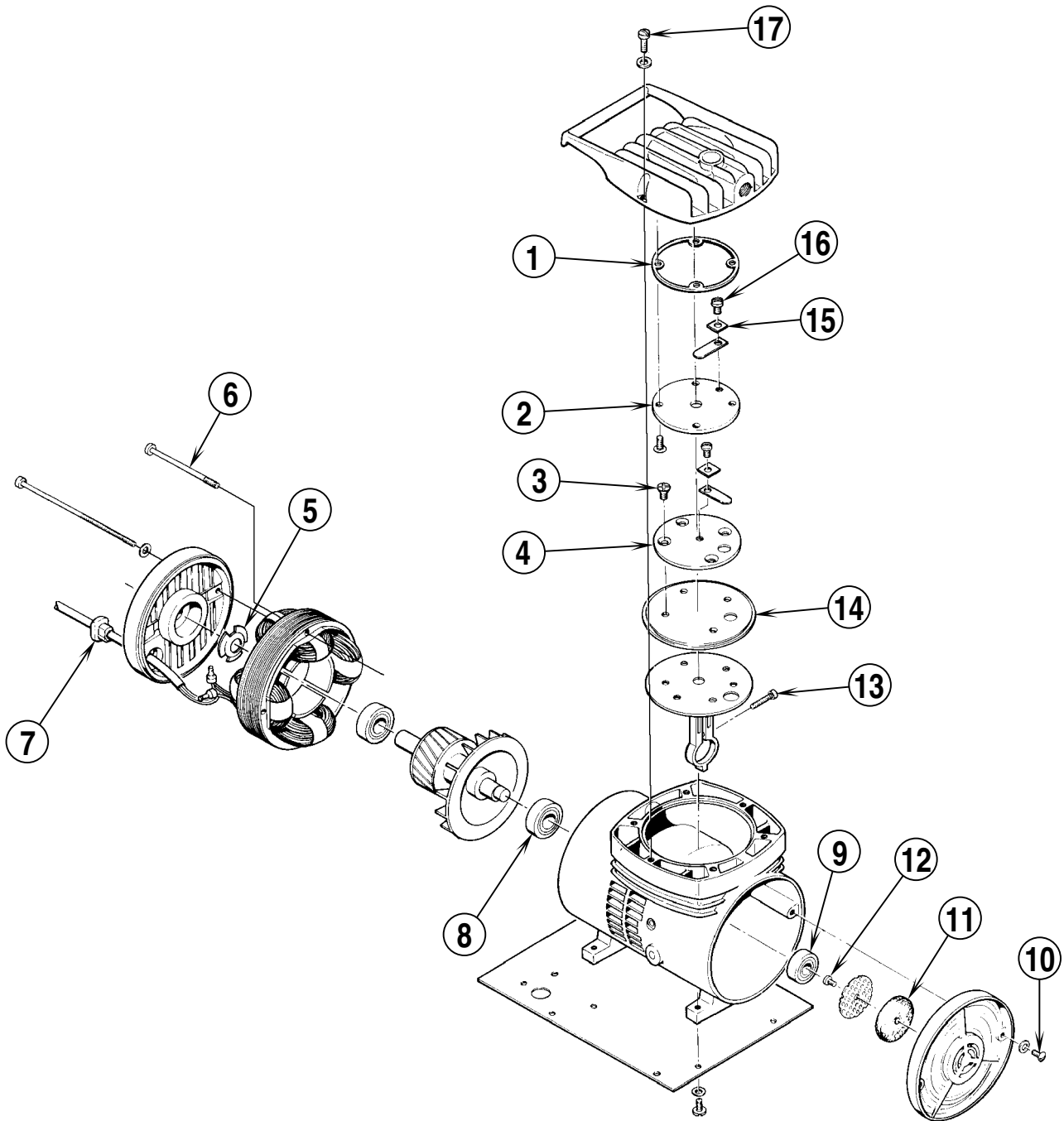
Item	Ref. No.	Qty	Description	Item	Ref. No.	Qty	Description
1	56311229	4	Terminal Ring, #6	19	56255874	4	Spring Nut #8-32
2	56301636	1	Toggle Switch	20	56219798	1	Elbow
*	56756514	1	Boot, Toggle Switch	21	56002861	4	Nut, Hex Nyl Loc 1/4-20
3	56300152	2	Cord Clamp	22	56255884	4	Bumper
4	56002830	4	Nut, Hex Nyl Loc #6-32	23	56254215	1	Weldment Housing
5	56009010	3	Wsh, Int Shprf #8	24	56300602	1	Tube, Rubber
6	56254222	1	Receptacle	25	56254236	1	Cord Set
7	56001904	4	Scr, Pan Phil #6-32 X .38	*	56300540	1	Bracket
8	56002146	5	Scr, Pan Phil #10-24 X .62	*	56300542	1	Cord Clamp
9	56219215	1	Compressor	*	56009161	2	Scr, Hex Thd Form #8-32 x .50
10	56254088	1	Wire Assembly	26	56325329	2	Terminal Ring #10
11	56001818	5	Scr, Pan Phil #8-32 X .38	27	56469898	3	Ring Terminal #8
12	56002043	4	Scr, Pan Phil #10-24 X .38	28	56002865	4	Nut, Hex Nyl Loc-Thin #8-32
13	56255866	1	Compressor Shield	29	56016216	1	Decal, Wiring
14	56218510	1	Check Valve	30	56009011	4	Wsh, Int Shprf #10
15	56379107	1	Hose				
16	56219932	2	Hose Clamp	56254501	1	Compressor Assy (everything except SH 120T)	
17	56752754	1	Barb				
18	56257990	1	Relief Valve				

* = Not Shown

WIRING DIAGRAM



Item	Ref. No.	Qty	Description
1	56219215	1	Compressor
2	56254236	1	Cord Set
3	56301636	1	Toggle Switch
4	56254222	1	Receptacle
5	56391544	1	Wire Assembly Blue
6	56391545	1	Wire Assembly Brown
7	56254235	1	Wire Assembly Grn/Yel
8	56254233	1	Filter, RFI



97-6	COMPRESSOR	BOOK C		
99-11	SH 120	C	3.6.1	9

Item	Ref. No.	Qty	Description
	56219215	1	Compressor Assembly
1	56220953	1	Gasket
2	56220930	1	Plate, Exhaust Valve
3	56002306	8	Scr, Flt Phil 8-32 X .38
4	56220958	1	Plate, Intake Valve
5	56220533	1	Load Spring
6	56220522	2	Screw
7	56163015	1	Strain Relief
8	56220529	1	Bearing, Ball Housing
9	56220528	1	Bearing, Connecting Rod
10		2	Scr, Rd Hd 10-24 X .75
11	56220513	1	Filter
12	56009036	1	Scr, Pan Phil Thd Form 8-32 X .25
13	56002487	1	Scr, Soc Hd 10-24 X .75
14	56220950	1	Diaphragm
15	56220963	2	Valve Keeper Strip
16		2	Scr, Rd Hd 6-32 X .12
17		6	Scr, Fillister Hd 10-24 X .50

DANMARK

Nilfisk-Advance Nordic A/S
 Myntevej 3, 8900 Randers
 ☎ 86 42 84 33 – Fax 86 41 19 55

NORGE

Nilfisk-Advance AS
 Enebakkn, 119, 0680 Oslo, Postboks 196, Manglerud,
 0612 Oslo
 ☎ 22 08 63 50 – Fax 22 08 63 63
 Distriktsrepresentanter over hele landet

SVERIGE

Nilfisk-Advance AB
 Sjöbjörnsvägen 5, 117 67 Stockholm
 ☎ 085 55 944 00 – Fax 085 55 944 30

FINLAND/ SUOMI

BERNER Ltd. Facotek Department
 Etäleranta 4B, 00130 Helsinki
 ☎ +358 9 1345 1382

AUSTRALIA

Nilfisk-Advance Pty. Ltd.
 ACN 003 762 623
 Head office: 17 Leeds Street, Rhodes, N. S. W. 2138
 ☎ (02) 9736 1244 – Fax (02) 9736 3910
 Customer Responce Centre:
 ☎ 1 800 011 013

BELGIQUE / BELGIË/ LUXEMBOURG

Nilfisk-Advance s.a./n.v.
 Doornveld/ Sphere Business Park
 Industrie Asse 3, nr 11 – bus 41
 1731 Zellik-Asse
 ☎ (02) 467.60.50 Fax (02) 463.44.16

CANADA

Nilfisk-Advance Ltd.
 396 Watline Avenue
 Mississauga, Ontario L4Z 1X
 ☎ (905) 712-3260 – Fax (905) 712-3255

DEUTSCHLAND

Nilfisk-Advance AG
 Siemensstraße 25-27
 25462 Rellingen
 ☎ (041 01) 3990 – Fax (04101) 399191
 Zentraler Kundenservice
 ☎ für die Industrie: 0180 535 67 97
 ☎ Institutionen und Gebäudereiniger: 0180 500 11 70

FRANCE

Nilfisk-Advance S.A.
 BP 246
 91944 Courtaboeuf Cedex
 ☎ (01) 69.59.87.00 Télécopie (01) 69.59.87.01

HONG KONG

Nilfisk-Advance Ltd.
 2001, 20/F HK Worsted Mills
 Industrial Building
 31-39 Wo Tong Tsui Street
 Kwai Chung, N.T.
 ☎ 2427 59 51 – Fax 2487 5828

IRELAND

Nilfisk-Advance Ltd.
 28 Sandyford Office Park
 Dublin 18
 ☎ +353 1 2943838 – Fax +353 1 2943845

JAPAN

Nilfisk-Advance Inc.
 3-4-9 Chigasaki Minami
 Tsuzuki-Ku Yokohama 224
 ☎ 045-942-7741 – Fax 045-942-6545

MALAYSIA

Nilfisk-Advance Sdn Bhd
 Lot 2, 1st. Floor
 Lorong 19/1A
 46300 Petaling Jaya
 Selangor Darul Ehsan
 ☎ 03-7568188 / 03-7568189 / 03-7568388 – Fax 03-7566828

NEDERLAND

Nilfisk-Advance B.V.
 Flevolaan 7, Postbus 341
 1380 AH Weesp
 ☎ 0294-462121 – Fax 0294-430053

NEW ZEALAND

Nilfisk-Advance Limited
 477 Great South Road, Penrose
 Auckland
 ☎ (09) 525 0092 – Fax (09) 525 6440

SCHWEIZ / SUISSE

Nilfisk-Advance AG
 Ringstrasse 19, 9533 Kirchberg/Wil
 ☎ 719 23 52 83 – Fax 719 23 84 44

SINGAPORE

Nilisk-Advance Pte. Ltd.
 22, Woodlands Industrial Park E1
 Singapore 757740
 ☎ (65) 759 9100 – Fax (65) 759 9133

TAIWAN

Nilfisk-Advance Ltd.
 1 F, No.23, Lane 132, Sec. 2
 Ta An Road, Taipei
 ☎ 700 22 68 – Fax 784 08 43

UNITED KINGDOM

Nilfisk-Advance Limited
 Newmarket Road
 Bury St. Edmunds
 Suffolk IP 33 3SR
 ☎ (01284) 763163 – Fax (01284) 750562

USA

Nilfisk-Advance Inc.
 14600 21st Avenue North
 Plymouth, MN 55447-3408
 ☎ +1 800 989 2235 – Fax 1 800 989 6566

Nilfisk-Advance of America, Inc.

300 Technology Drive
 Malvern, PA 19355
 ☎ (610) 647 647-6427

ÖSTERREICH

Nilfisk-Advance GmbH
 Vorarlberg Allee 46
 1230 Wien
 ☎ 1 616 58 30 – Fax 1 616 58 30 40

ESPAÑA

Nilfisk-Advance, S.A.
 Torre D'Ara
 Passeig del Rengle, 5 Pl.9-10
 E-08302 – Mataró (Barcelona)
 ☎ Tel. 93 741 24 00 – Fax: 93 757 80 20
 Central atención al cliente: 902 200 201
nilfisk@nilfisk-advance.es – www.nilfisk-advance.com
 Distribuidores y Servicio Técnico en toda España y Andorra

ITALIA

Nilfisk-Advance Italia Spa
 Località Novella Terza
 26862 Guardamiglio (LO)
 Italy
 ☎ +39 0377 414067-54 – Fax +39 0377 414097
www.nilfisk-advance.com

PORTUGAL

Nilfisk-Advance Lda.
 Rua Cândido de Figueiredo, 91-i, 1500-133 LISBOA
 ☎ 01/7784142 – Fax 01/7785613
 Porto 02/526766 – Fax 02/520739
 Açores 096/628092/3 – Fax 096/628129
 Madeira 091/228965 – Fax 091/228796

GREECE

Embiom S.A.
 Λεωφ. Βουλιαγμένης 60
 Αργυρούπολη
 164 52 Αθήνα
 ☎ 9950613 - Fax 9951680



Material composition of the Nilfisk SH 120

