



Electronic Service Manuals

This electronic document is provided as a service to our customers. We do not create the contents of the information contained in this document. Should you have detailed questions pertaining to the information contained in this document, you may contact Michco, or the manufacturer which provided the original information in this electronic deliverable. Michco's only part in this electronic deliverable was the electronic assembly process.

You may contact Michco through the following methods:
Phone (517) 484-9312 or (800) 331-3339 MI, OH, IN only
2011 N. High St. -- Lansing, Michigan -- 48906
Fax: (517) 484-9836
Email: CustServ@Michco.com
Web site: www.Michco.Com
Parts Web site: www.FloorMachineParts.Com

Order Parts on Line at:
www.FloorMachineParts.Com

Directly to Parts & Service:
By Email: **Shop@Michco.com**
By Fax: (517) 702-2041
By Voice: Use numbers above.

Serving the Cleaning Industry Since 1922

Notice: All copyrighted material remains property of original owners, all trademarks are property of respective owners. Manuals are subject to Manufacturer's reproduction limitations. Originals or reproductions were provided by manufacturers through a request. We make no warranty as to the correctness of information provided in this document and you assume all risk.

HURRICANE

MODELS: 600
600-5

FORM NO. 042 016

THIS PARTS LIST COVERS

ALL MODEL NO. 600

600-5 AFTER

SERIAL NO. 684 287

APRIL 1, 1979

PARTS LIST

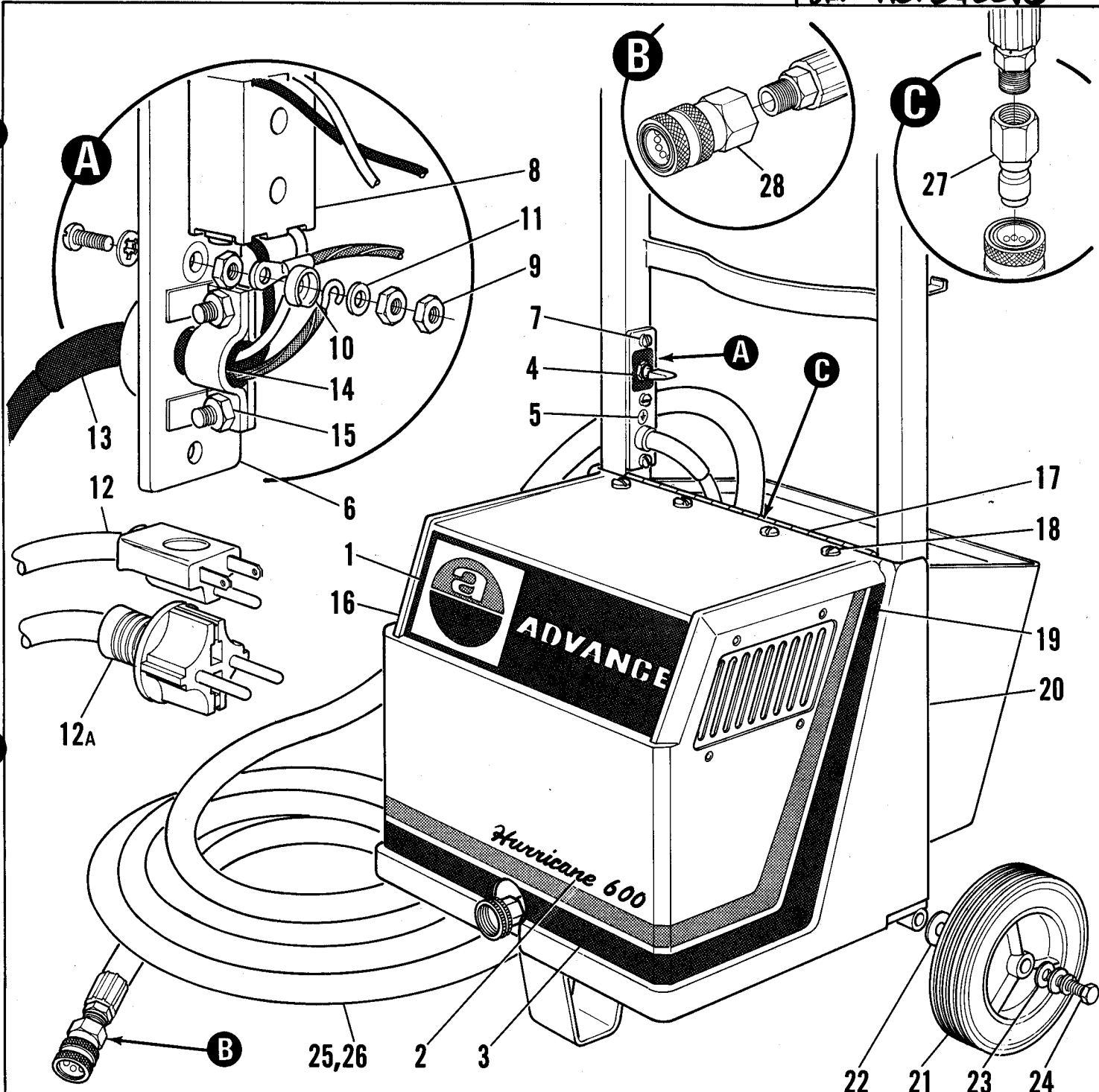


The  **Advance Machine Company**

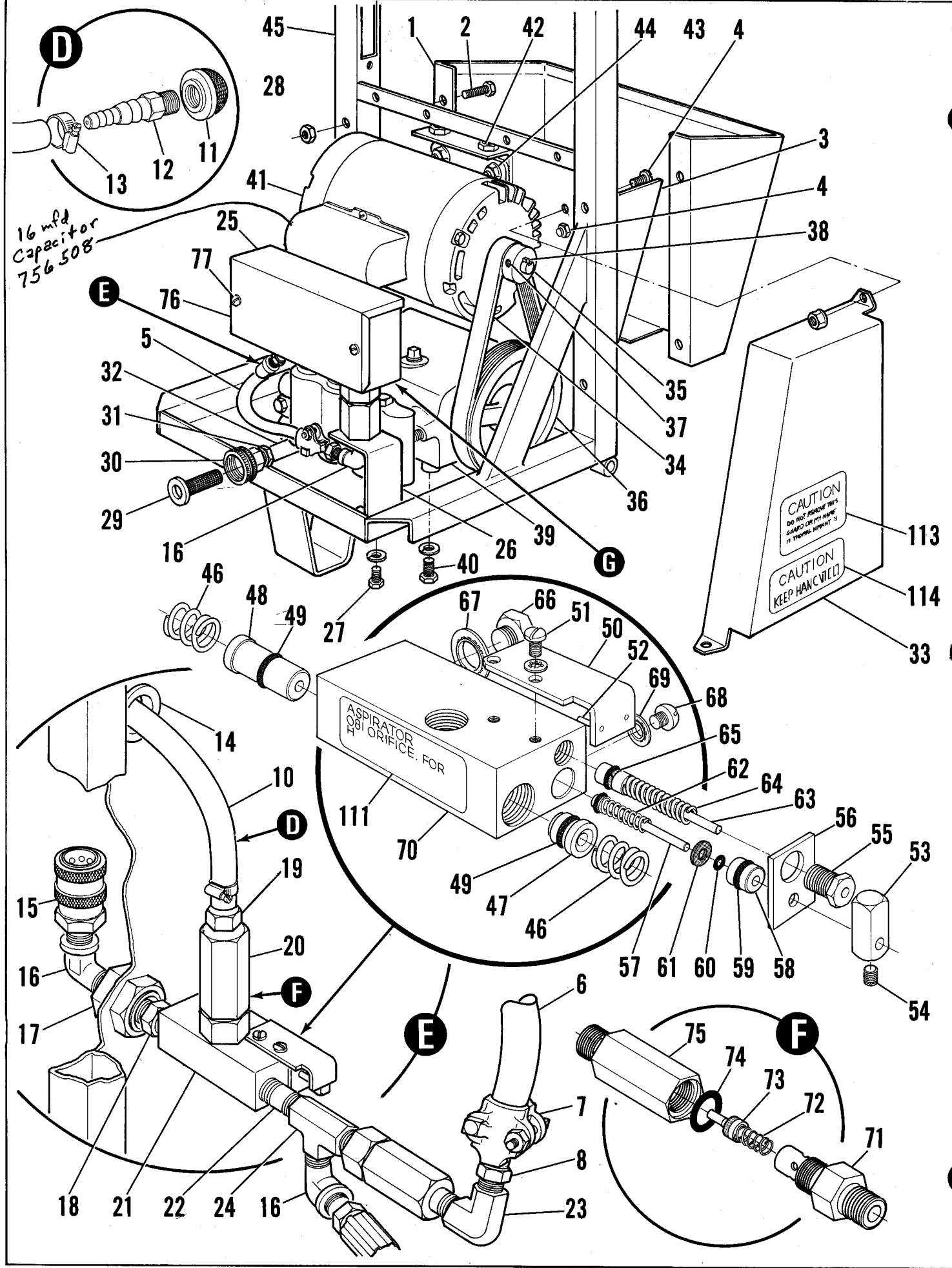
INTERNATIONAL HEADQUARTERS, Spring Park, Minnesota 55384 USA
EUROPE, 4 Rue Jean Engling, Dommeldange, Luxembourg
CANADA, 45 Iron Street, Rexdale, Ontario

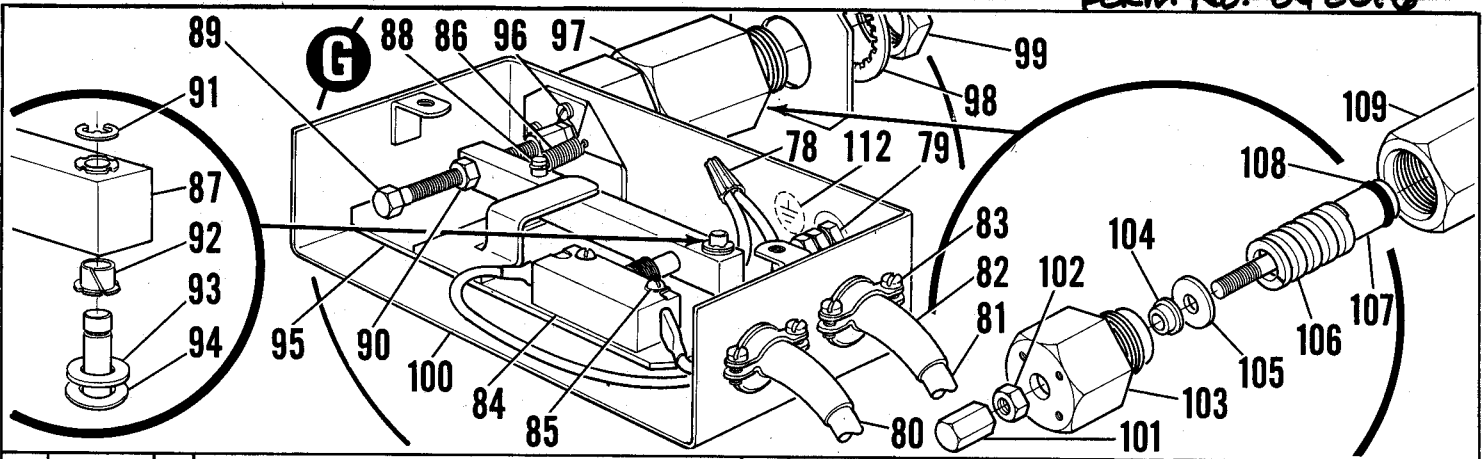
INDEX FOR FORM NUMBER 042016

<u>Description</u>	<u>Location</u>	<u>Page</u>
Motor & Pump Assembly	B9	2
Outer Body	B8	1
Pressure Switch	B10	3
Pump (internal Parts)	B11	4
Tank, Float	B13	6
Wand	B12	5

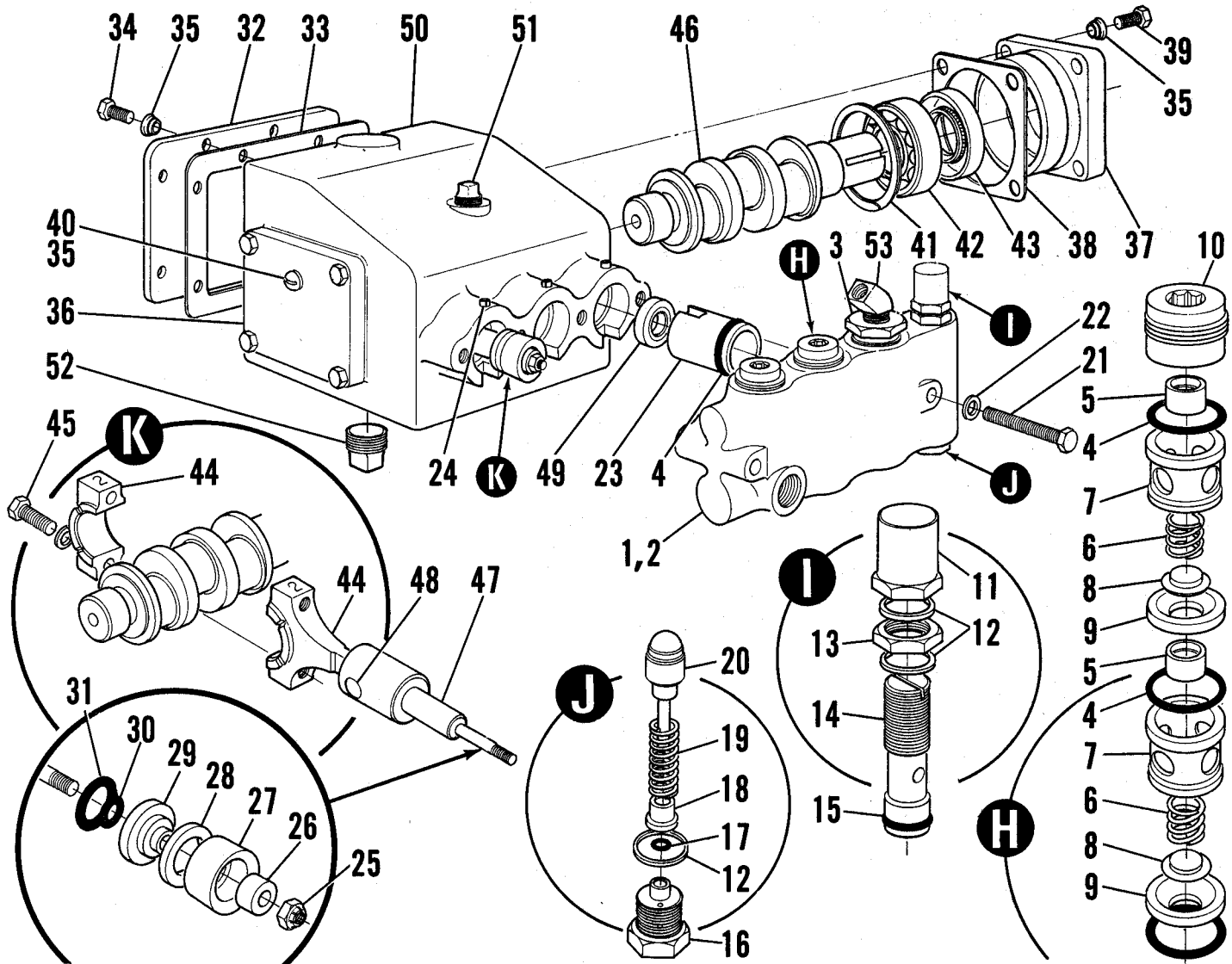


ITEM	PART NO	QTY	DESCRIPTION	ITEM	PART NO	QTY	DESCRIPTION
1	756 076	1	DECAL, Advance	15		2	SCREW, Pan Hd. 10-24 X 3/8 w/Nut
2	756 080	1	DECAL, Hurricane 600	16	756 136	1	SHROUD ASSEMBLY
3	756 070	1	DECAL, Stripe, Front	17	756 038	1	HINGE
	756 054	1	DECAL, Stripe R.H.	18		8	SCREW, Pan Hd. 10-24 X 1/2 w/whiz nut
	756 056	1	DECAL, Stripe L.H.	19	756 138	6	SCREW, Phil Trs Hd. 10-24 X 3/8 w/whiz nut
4	745 307	1	DECAL, On-Off	20	756 036	1	SHROUD
5	014 119	1	DECAL, Ground Symbol	21	346 594	2	WHEEL 8 X 1.75
6	328 076	1	COVER WELDMENT	22		2	WASHER 1/2
7		2	SCREW, Pan Hd. 10-24 X 3/8 Self Tap	23	155 373	2	WASHER, Spring
8	207 075	1	SWITCH, Toggle DPST (600)	24		6	BOLT, 5/16-18 X 1/2 w/lock & flat washer
	301 636	1	SWITCH, Toggle (600-5)	25	753 080	1	HOSE ASSEMBLY 25 ft.
9		1	SCREW, 8-32 X 3/4 w/Shk'pf washer & 3 nuts		753 082	1	HOSE ASSEMBLY 40 ft.
10	325 274	1	WASHER, Cupped		753 086	1	HOSE ASSEMBLY 60 ft.
11	325 276	1	WASHER	26	753 100	1	HOSE ASSEMBLY w/Disconnects 25 ft.
12	756 046	1	CORD SET, 14/3 X 10 (600)		753 103	1	HOSE ASSEMBLY w/Disconnects 40 ft.
12A	300 227	1	CORD SET, 18 X 40 (600-5)		753 109	1	HOSE ASSEMBLY w/Disconnects 60 ft.
13	300 602	1	TUBE, Rubber	27	740 182	1	PLUG, Disconnect
14	300 542	1	CLAMP, Cord	28	740 127	1	SOCKET, Disconnect



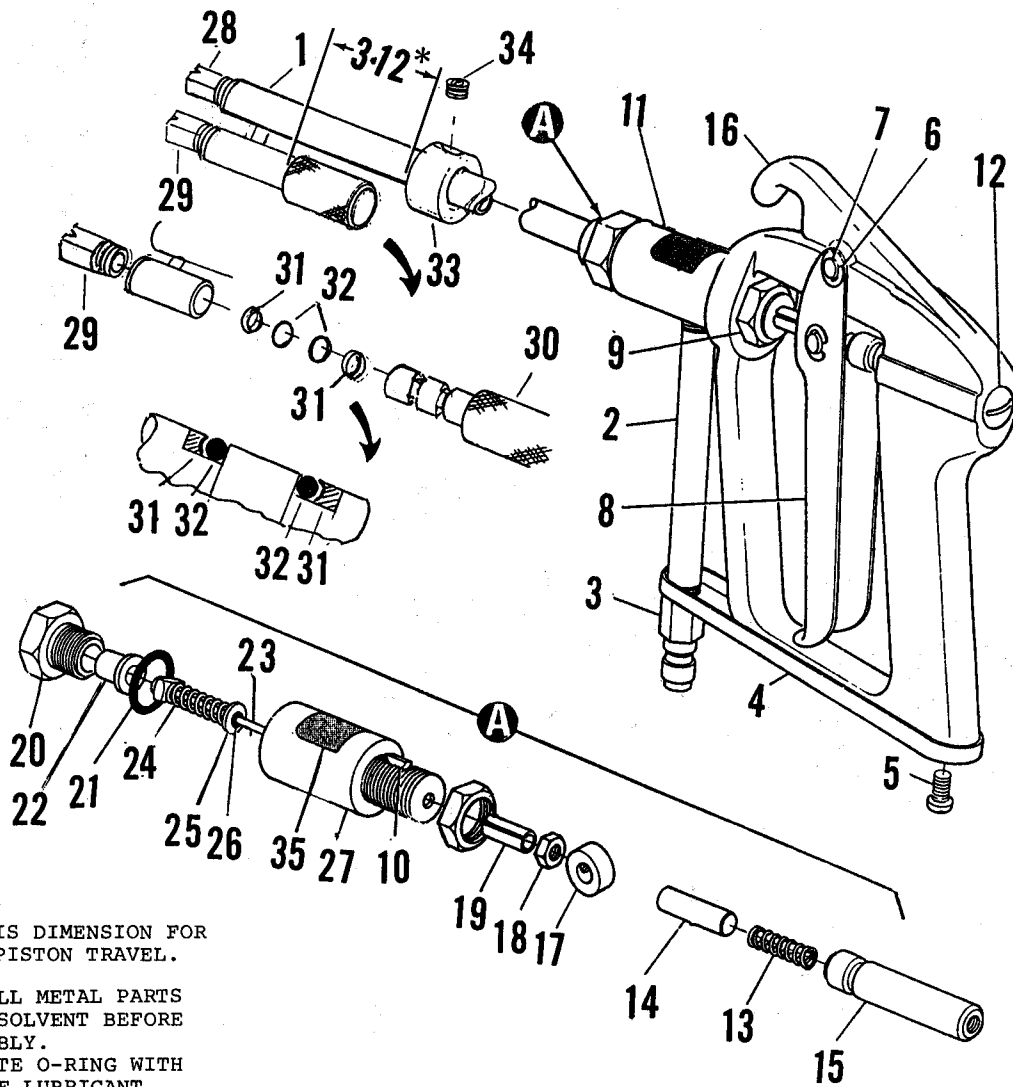


ITEM	PART NO	QTY	DESCRIPTION	ITEM	PART NO	QTY	DESCRIPTION
1	756 032	1	PANEL, Rear	58	745 738	1	BUSHING
2		4	SCREW, Hex Hd. 1/4 X 20 X 1 1/2	59	745 856	1	O-RING
3	756 034	1	PANEL	60	745 701	3	O-RING
4		4	Screw, Pan Hd. 10-24 X 1/2 w/whiz nut	61	745 693	1	WASHER
5	760 084	1	HOSE ASSEMBLY, 3/8 X 13	62	745 697	1	SPRING
6	756 053	1	HOSE ASSEMBLY, 3/8 X 10	63	745 744	1	PLUNGER
7	741 321	2	CLAMP, Hose	64	745 711	1	SPRING
8	743 012	2	BARB, 1/4 Stainless Steel	65	745 768	1	BACK UP RING
9				66	745 752	1	CAP
10	742 994	1	TUBE, 1/4 X 3/8	67	745 758	1	SEAL
11	750 857	1	STRAINER ASSEMBLY	68		1	SCREW, Rh. Brass 1/4-20 X 1/4
12	745 655	1	BARB, Metering 50	69	745 715	1	WASHER
	745 659	1	BARB, Metering 60	70	745 714	1	HOUSING
	745 661	1	BARB, Metering 70	71	756 224	1	BODY, Spring Retainer
	745 663	1	BARB, Metering 80	72	756 218	1	SPRING
13	756 364	1	CLAMP, Hose	73	756 417	1	VALVE POPPET ASSEMBLY
14	157 376	1	GROMMET, .734	74	742 552	1	O-RING
15	740 126	1	SOCKET, Quick Disconnects	75	756 226	1	RETAINER, Valve Seat
16	369 632	3	ELBOW, 1/4 X 90 Street	76	761 460	1	COVER
17	745 543	1	ADAPTER, Bulkhead Brass	77		2	SCREW, Pan Hd. 10-24 X 1/4
18	742 317	1	NIPPLE, 1/4 X 1 1/2 Brass	78	321 737	1	CONNECTOR WIRE 14GA
19	756 360	1	BARB, 1/4 Female Brass	79		2	SCREW, 8-32 X 3/4 w/shk'pf washer & 3 nuts
20	756 428	2	CHECK VALVE ASSEMBLY	80	756 440	1	CORD ASSEMBLY, 14/3 X 30 (600)
21	745 756	1	ASPIRATOR ASSEMBLY		756 468	1	CORD ASSEMBLY, 16/3 X 30 (600-5)
22	750 688	1	NIPPLE, 1/4 X 1 1/2 Brass	81	756 442	1	CORD ASSEMBLY 14/3 X 26 (600)
23	340 782	1	ELBOW, 1/4 X 90 Brass		756 470	1	CORD ASSEMBLY 16/3 X 26 (600-5)
24	249 819	1	TEE, 1/4 Female Brass	82	300 602	2	TUBE, Rubber
25	752 060	1	PRESSURE SWITCH ASSEMBLY	83	743 336	2	CONNECTOR BOX, Street
26	756 450	1	BRACE	84	761 452	1	SWITCH, Snap
27		2	SCREW, 1/4-20 X 1/2 w/lock & flat washer	85		2	SCREW, Pan Hd. 6-32 X 7/8
28	327 409	1	BUSHING, Nylon .375	86	330 178	1	SPRING .25 X 1.12
29	752 352	1	FILTER, Inlet	87	761 456	1	BAR
30	740 152	1	ADAPTER, G.H.T.	88	328 642	1	GROOVE PIN, .18 X 3.12
31	751 687	1	BUSHING, Reducer	89	761 488	1	SCREW, Hex Hd. 1/4-28 X 2
32	753 689	1	NIPPLE, 3/8 X 2	90		1	NUT, Hex 1/4-28
33	756 482	1	BELT GUARD WELDMENT	91	321 128	1	RETAINING RING
34	756 050	1	BELT, Poly V	92	761 454	2	BUSHING, Flanged Nylon
35	756 061	1	SHEAVE, Poly V (600)	93		1	WASHER, Flat 3/16
	756 072	1	SHEAVE, Poly V (600-5)	94	150 150	1	WASHER, Spring .265
36	756 064	1	SHEAVE, Poly V	95	761 470	1	PLATE WELDMENT
37		4	SCREW, Set w/knurl	96		4	SCREW, Pan Hd. 6-32 X 5/16 w/shk'pf washer
38	740 168	2	KEY, Square .18 X 1.00	97	756 292	1	CYLINDER ASSEMBLY
39	756 090	1	PUMP ASSEMBLY	98	756 324	1	LOCKWASHER, 7/8
40		4	BOLT, 5/16-18 X 1/2 w/lockwasher	99	219 290	1	NUT, Hex Hd. 7/8-14 Brass
41	740 166	1	MOTOR, 1 HP 115V (600)	100	761 478	1	BOX WELDMENT
	753 015	1	MOTOR, 1 HP 230/50 (600-5)	101	756 298	1	TIP
42		2	BOLT, Hex Hd. 5/16-18 X 1 1/4 w/nut	102		1	NUT, 1/4-28 Brass
43	745 573	1	BASE PLATE (motor)	103	756 288	1	CAP, Pressure Switch
44		4	BOLT, 5/16-18 X 5/8 w/washer & whiz nut	104	756 318	1	BUSHING
45	756 008	1	FRAME WELDMENT	105	756 284	1	SPACER, Piston Rod
46	745 695	1	SPRING	106	756 290	1	SPRING, Die
47	745 750	1	ORIFICE, .064	107	756 282	1	ROD, Piston
48	745 587	1	ORIFICE	108	749 469	1	O-RING, 112
49	745 704	2	O-RING	109	756 286	1	BODY, Pressure Switch
50	745 731	1	STOP	110	030 130	1	DECAL, Adv't Screw (Inside Cover) Not Shown
51		2	SCREW, Pand. 8-32 X 7/16 w/lockwasher	111	030 040	1	DECAL, Aspirator
52	745 869	2	GROOVE PIN, 1/16 X 3/8	112	014 119	1	DECAL, Ground Symbol
53	745 730	1	STOP BAR	113	030 078	1	DECAL, Belt Guard
54		1	SCREW, Set 10-24 X 1/4	114	030 080	1	DECAL, Hands Clear
55	745 747	1	CAP	115	756 094	1	DECAL, Lubrication
56	745 733	1	PLATE	116	746 875	1	DECAL, Freezing Precautions
57	745 736	1	STEM				



ITEM	PART NO	QTY	DESCRIPTION	ITEM	PART NO	QTY	DESCRIPTION
1	745 837	1	HEAD ASSEMBLY	33	745 776	1	GASKET
2	745 832	1	HEAD CASTING	34		8	SCREW, Hex Hd. 1/4-20 X 1/2
3	756 086	1	ADAPTER	35	204 218	17	WASHER, Nylite 1/4
4	744 559	12	"O"-RING	36	745 816	1	CAP
5	745 848	6	SPACER	37	745 814	1	CAP
6	744 552	6	SPRING	38	745 818	2	GASKET
7	745 834	6	SPACER	39		8	SCREW, Hex Hd. 1/4-20 X 3/4
8	744 555	6	VALVE	40		1	SCREW, Pan Hd. 1/4-20 X 1/4
9	745 844	6	SEAT	41	378 399	2	RETAINING RING
10	745 836	2	PLUG	42	745 779	2	BEARING
11	745 864	1	CAP NUT	43	745 819	1	SEAL
12	745 858	3	WASHER	44	745 794	3	CONNECTING ROD
13	745 860	1	NUT	45		6	SCREW, Hex Hd. 1/4-20 X 1 1/4 w/lockwasher
14	745 852	1	SEAT	46	745 782	1	CRANKSHAFT
15	479 762	1	"O"-RING	47	745 810	3	PISTON ROD ASSEMBLY
16	745 862	1	PLUG	48	745 796	3	WRIST PIN
17	745 701	1	"O"-RING	49	228 049	3	SEAL
18	745 857	1	CAP	50	756 088	1	HOUSING, Pump
19	745 854	1	SPRING	51	366 269	1	PLUG, Pipe 1/4 Vent
20	745 850	1	VALVE	52	113 182	1	PLUG, Pipe 1/2 Black
21	756 410	2	BOLT, Hex Hd. 5/16-18 X 3	53	368 938	1	ELBOW, 1/4 X 45 Street Brass
22		2	LOCKWASHER, 5/16				
23	745 820	3	CYLINDER				
24	745 822	3	PIN				
25	745 830	3	NUT, Crown				
26	745 826	3	FOLLOWER				
27	745 824	3	CUP				
28	745 827	3	WASHER				
29	745 828	3	PLATE				
30	745 856	3	"O"-RING				
31	745 807	3	"O"-RING				
32	756 084	1	PLATE				
REPAIR KITS (Part Quantities are Complete for 1 Pump)							
A	743 211	1	KIT, Pump Overhaul (4, 23, 33, 38, 43, 49, B, C, & D)				
B	743 215	1	KIT, Pressure Relief (11-20)				
C	743 212	1	KIT, Cup Repair (4, 27, 28, & 30)				
D	743 214	1	KIT, Valve Repair (4-9)				

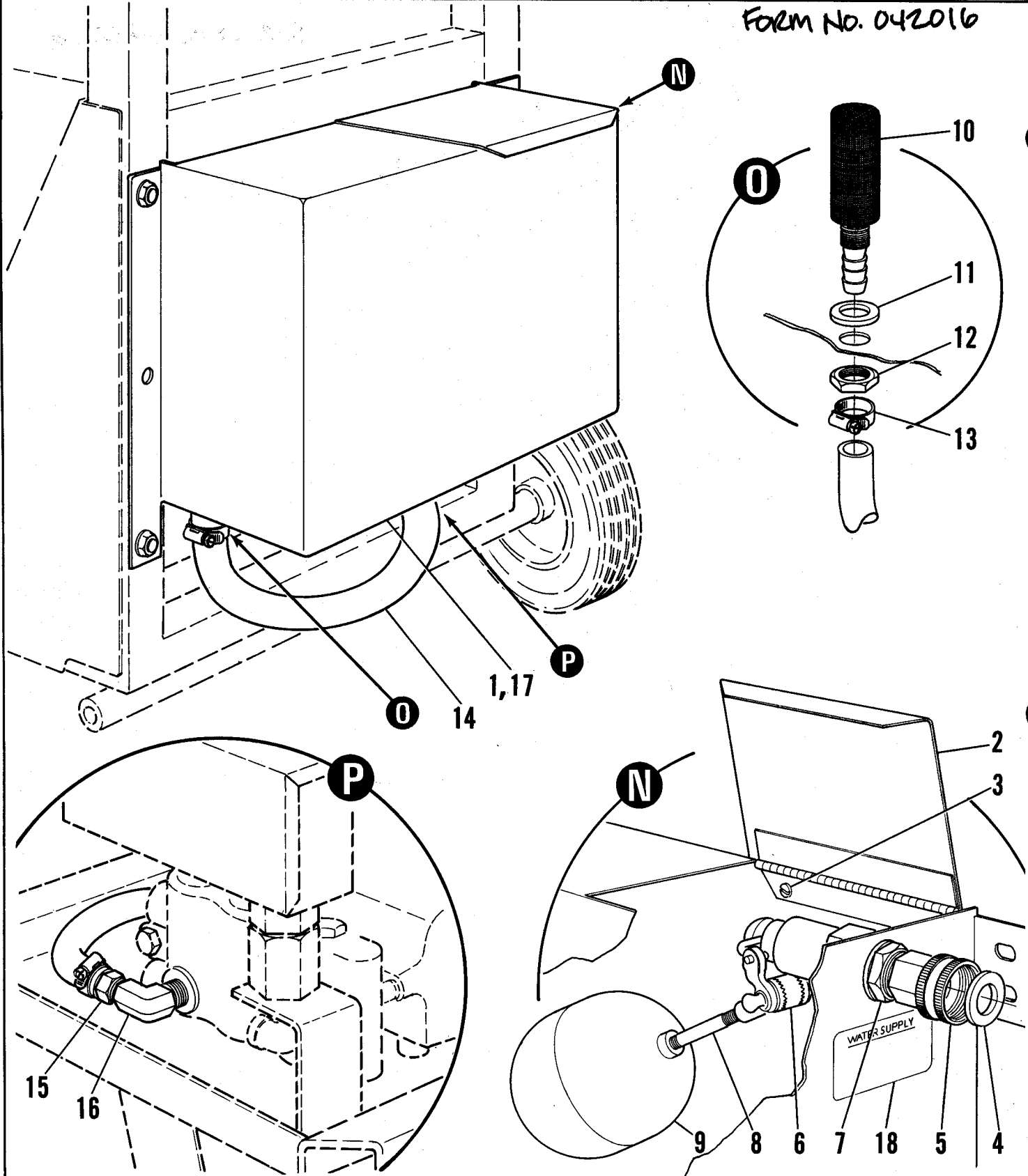
4 Pump Assembly



* HOLD THIS DIMENSION FOR PROPER PISTON TRAVEL.

CLEAN ALL METAL PARTS WITH A SOLVENT BEFORE REASSEMBLY.
LUBRICATE O-RING WITH SILICONE LUBRICANT.

ITEM	PART NO	QTY	DESCRIPTION	ITEM	PART NO	QTY	DESCRIPTION
1	761 654	1	WAND,Weldment	27	746 904	1	VALVE BODY
2	756 420	1	NIPPLE,3/8 X 4.50	28	747 062	1	NOZZLE,(1506 Black)600 PSI
3	756 430	1	PLUG,Quick Disconnect		747 015	1	NOZZLE,(1507 Blue) 700 PSI
4	756 418	1	BRACE,Handle	29	761 680	1	NOZZLE,(4030 Yellow)
5	209 519	1	SCREW,#10-16 X.75	30	761 606	1	PISTON
6	756 438	2	RETAINING RING	31	761 323	2	RING,Back-Up
7	746 944	2	PIN,Trigger	32	761 325	2	O-RING
8	746 902	1	TRIGGER	33	761 686	1	STOP,Piston
9	746 934	1	NUT,Hex	34	030 168	2	SETSCREW,#10-24 X.25
10	756 416	1	KEY,Valve	35	760 438	1	DECAL,Spray Wand
11	761 662	1	VALVE ASS'Y.				
12	576 518	1	SCREW,1/4-20 X.625				
13	746 923	1	SPRING,Return				
14	746 932	1	PLUNGER,Spring				
15	746 905	1	STOP,Trigger				
16	746 899	1	HANDLE				
17	746 907	1	GUIDE,Trigger				
18		1	NUT,Hex				
19	746 916	1	PROTECTOR STEM				
20	760 258	1	CAP,Valve				
21	742 552	1	O-RING				
22	746 931	1	SEAT,Valve				
23	746 908	1	VALVE STEM ASS'Y.				
24	756 276	1	SPRING,Stem				
25	746 919	1	WASHER,Brass				
26	760 288	1	O-RING				



ITEM	PART NO	QTY	DESCRIPTION	ITEM	PART NO	QTY	DESCRIPTION
1	706 302	1	FLOAT TANK ASSEMBLY	10	368 725	1	SCREEN
2	756 256	1	COVER WELDMENT	11	368 776	1	WASHER, Rubber
3		2	SCREW, 6-32 X 1/4 w/lockwasher & nut	12	746 934	1	NUT, Brass
4	740 154	1	GASKET, Hose	13	219 932	2	CLAMP
5	740 152	1	ADAPTER, Swivel	14	449 859	1	HOSE, 25 in.
6	761 430	1	VALVE, Float	15	443 972	1	BARB, 1/2 X 3/8 Brass
7	761 428	1	WASHER, Brass	16		1	ELBOW, 3/8
8	761 432	1	ROD, 1/4-20 X 2 1/2	17	756 250	1	TANK WELDMENT
9	761 434	1	FLOAT, Oval	18	030 032	1	DECAL, Water Supply

6 Float Tank

OPTIONAL

