



Electronic Service Manuals

This electronic document is provided as a service to our customers. We do not create the contents of the information contained in this document. Should you have detailed questions pertaining to the information contained in this document, you may contact Michco, or the manufacturer which provided the original information in this electronic deliverable. Michco's only part in this electronic deliverable was the electronic assembly process.

You may contact Michco through the following methods:
Phone (517) 484-9312 or (800) 331-3339 MI, OH, IN only
2011 N. High St. -- Lansing, Michigan -- 48906
Fax: (517) 484-9836
Email: CustServ@Michco.com
Web site: www.Michco.Com
Parts Web site: www.FloorMachineParts.Com

Order Parts on Line at:
www.FloorMachineParts.Com

Directly to Parts & Service:
By Email: **Shop@Michco.com**
By Fax: (517) 702-2041
By Voice: Use numbers above.

Serving the Cleaning Industry Since 1922

Notice: All copyrighted material remains property of original owners, all trademarks are property of respective owners. Manuals are subject to Manufacturer's reproduction limitations. Originals or reproductions were provided by manufacturers through a request. We make no warranty as to the correctness of information provided in this document and you assume all risk.

HURRICANE 1000

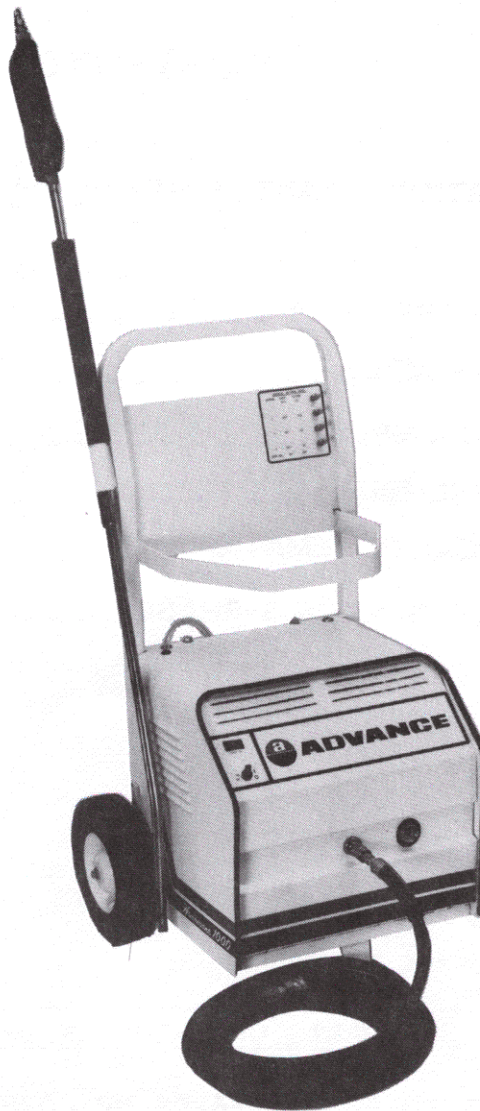
1-PHASE & 3-PHASE

SERIAL NO. 856 426

FORM NO. 042 061

SEPTEMBER 1981

PARTS LIST



ADVANCE
MACHINE COMPANY

INTERNATIONAL HEADQUARTERS, Spring Park, Minnesota 55384 USA
EUROPE, 4 Rue Jean Engling, L-1466 Luxembourg
CANADA, 45 Iron Street, Rexdale, Ontario



CONTENTS

ILLUSTRATION & PARTS LIST

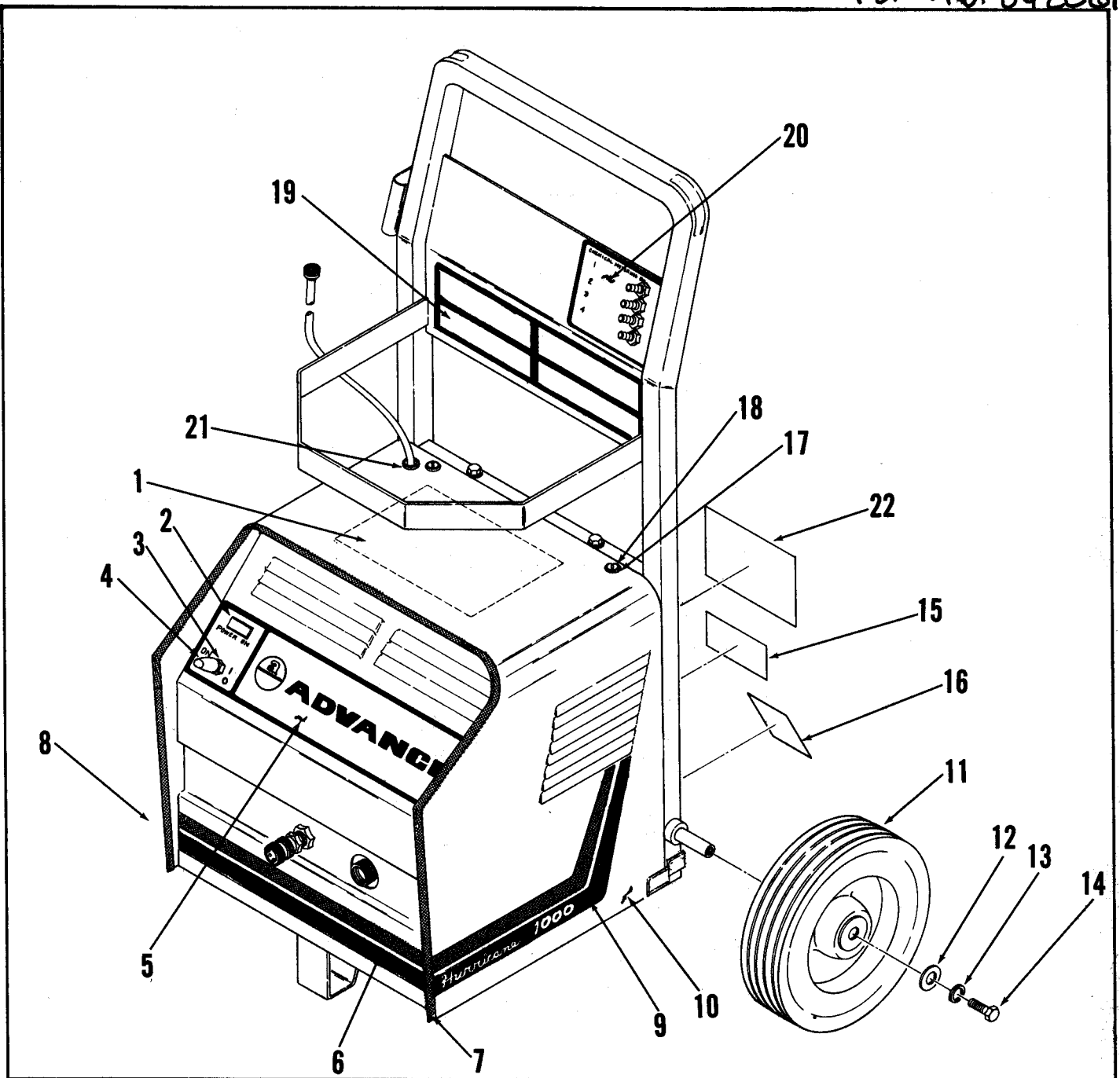
HOUSING ASSEMBLY	1
BASE ASSEMBLY	2-3
WAND ASSEMBLY	4
PUMP ASSEMBLY	5
ELECTRICAL SCHEMATIC	
SINGLE PHASE & 3-PHASE	6

PARTS ORDERING INFORMATION

WHEN ORDERING REPAIR PARTS OR CORRESPONDING ABOUT YOUR MACHINE ALWAYS SPECIFY PART NUMBER, SERIAL NUMBER AND MODEL.

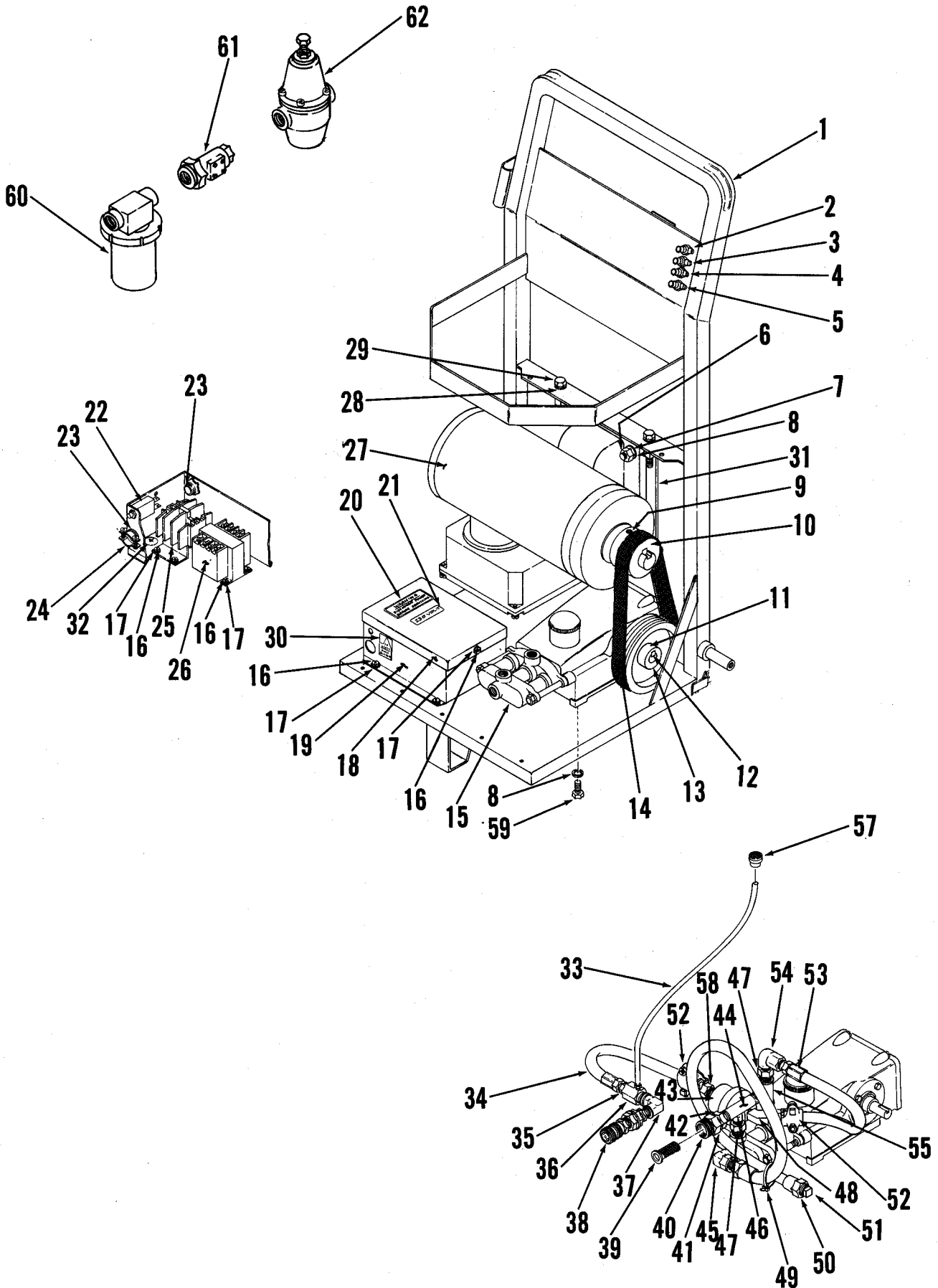
MODEL NO.

SERIAL NO.



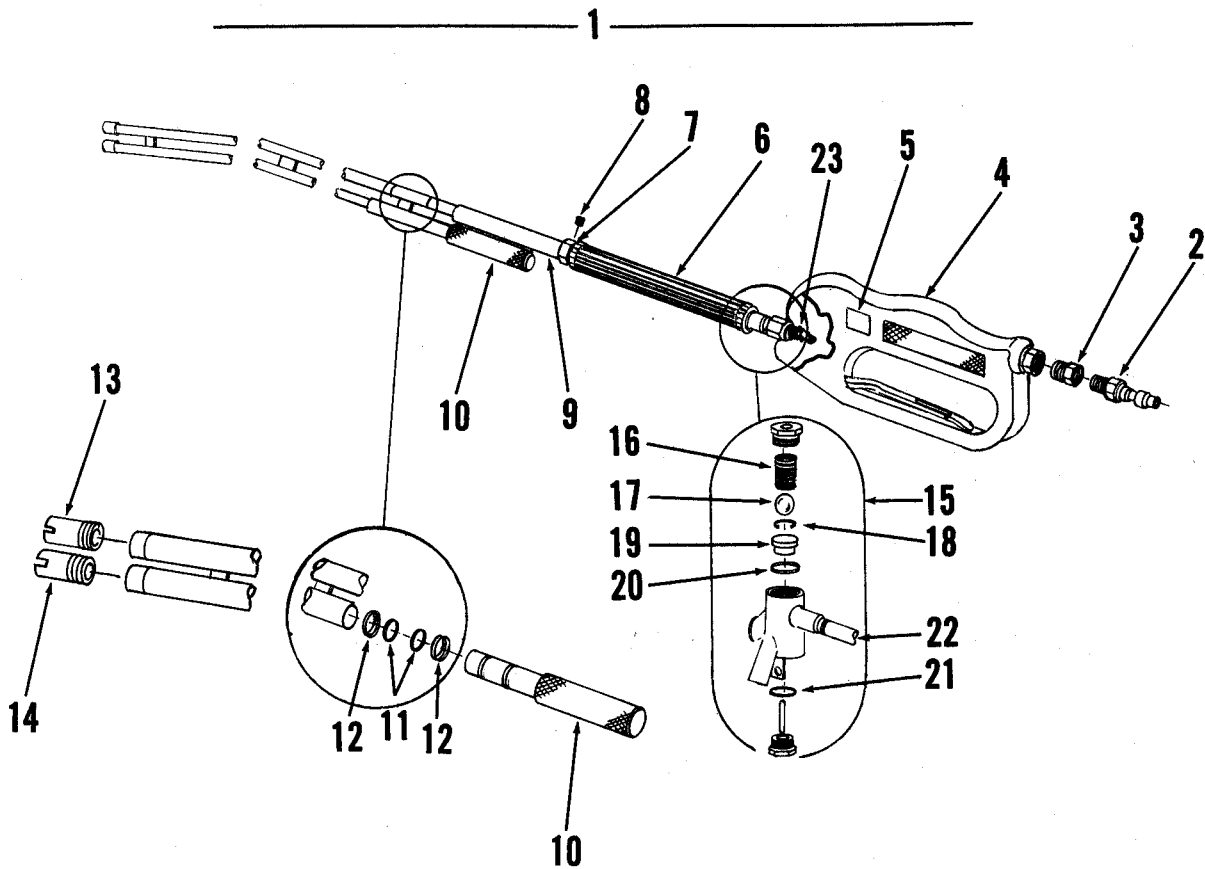
ITEM	PART NO	QTY	DESCRIPTION	ITEM	PART NO	QTY	DESCRIPTION
1	030 188	1	DECAL, WIRING (1-PHASE)	19	030 200	1	DECAL, INSTRUCTION
	030 204	1	DECAL, WIRING (3-PHASE)	20	030 198	1	DECAL, BARE
2	755 578	1	LIGHT, INDICATOR 230V	21	163 007	1	GROMMET .500
3	200 340	1	SWITCH, TOGGLE DPST	22	030 202	1	DECAL, WARNING
4	756 514	1	BOOT, TOGGLE SWITCH				
5	030 196	1	DECAL, ADVANCE				
6	030 190	1	DECAL, STRIPE - FRONT				
7	755 582	1	TRIM 55.75 IN.				
8	030 194	1	DECAL, STRIPE - RIGHT SIDE				
9	030 192	1	DECAL, STRIPE - LEFT SIDE				
10	755 516	1	SHROUD				
11	752 045	2	WHEEL H.D. 10 x 2.75				
12		2	WASHER, FLAT 5/16				
13		2	WASHER, LOCK 5/16				
14		2	SCREW, HEX HD. 5/16-18 x 3/4				
15	030 082	1	NAME PLATE				
16	755 558	1	MAT, STEP				
17	481 830	2	WASHER, FINISHING				
18		2	SCREW, OVAL HD. 1/4-20 x 5/8				

HOUSING ASSEMBLY

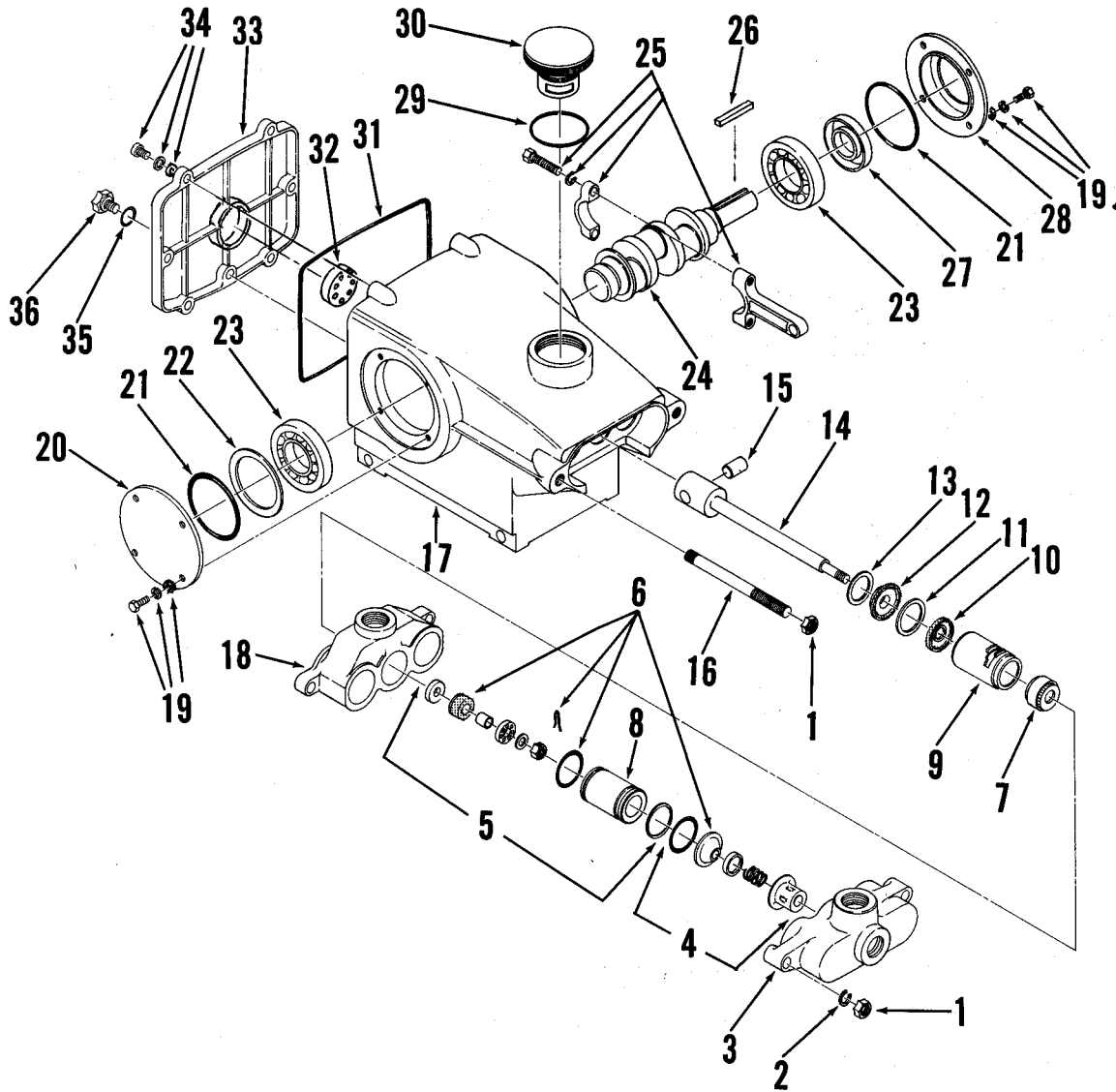


BASE ASSEMBLY

ITEM	PART NO	QTY	DESCRIPTION
1	755 526	1	FRAME WELDMENT
2	755 593	1	BARB .25 #1 (.0520)
3	755 594	1	BARB .25 #2 (.0360)
4	755 595	1	BARB .25 #3 (.0292)
5	755 596	1	BARB .25 #4 (.0240)
6		8	NUT, HEX 3/8-16
7		8	WASHER, FLAT 3/8
8		8	WASHER, LOCK 3/8
9		2	SCREW, SET 1/4-20 x 5/8
10	755 550	1	SHEAVE, POLY-V 12J 2.72
11		2	SCREW, SET #10-24 x 1/2
12	755 554	1	KEY .197 (5MM) SQ.
13	755 552	1	SHEAVE, POLY-V 4.97 12J
14	171 207	1	BELT, POLY-V 280J12
15	755 502	1	PUMP, 12P.S.I. 4 GPM
16		16	SCREW, PAN HD. #10-24 x 1/2 (SINGLE PHASE)
		20	SCREW, PAN HD. #10-24 x 1/2 (3-PHASE)
17		17	WASHER, SHAKEPROOF #10 (SINGLE PHASE)
		21	WASHER, SHAKEPROOF #10 (3-PHASE)
18	755 555	1	COVER, BOX (SINGLE PHASE)
	755 559	1	COVER, BOX (3-PHASE)
19	755 556	1	BOX, ELECTRICAL (SINGLE PHASE)
	755 557	1	BOX, ELECTRICAL (3-PHASE)
20	030 096	1	DECAL, POWER
21	016 595	1	DECAL, 230V
22	755 850	1	CIRCUIT BREAKER (3-PHASE ONLY) .2 Amp
23	743 336	5	CONNECTOR, BOX STRT.
24	756 388	2	REDUCING, WASHER 3/4 to 1/2
25	761 220	1	CONTACTOR, MAGNETIC
26	760 510	1	TRANSFORMER (3-PHASE ONLY)
27	755 504	1	MOTOR 3HP 60 CYC. (1-PHASE)
	755 506	1	MOTOR 3HP 60 CYC. (3-PHASE)
28		2	WASHER, FLAT 5/16
29		2	SCREW, HEX HD. 5/16-18 x 2" WITH:
		2	HEX NUT 5/16-18
		6	LOCK WASHER 5/16
30	014 362	1	DECAL, RESET (3-PHASE)
31	755 564	1	MOUNT, MOTOR
32	014 119	1	DECAL, GROUND SYMBOL
33	742 994	1	TUBE PVC .25 x 60"
34	760 084	1	HOSE ASSEMBLY 3/8 x 13 760
35	750 363	1	BUSHING 3/8 x 1/4 BR.
36	755 512	1	INJECTOR, LIQUID
37	757 310	1	ELBOW 3/8 x 90 BRASS
38	756 436	1	SOCKET, DISCONNECT
39	752 352	1	FILTER, INLET
40	740 152	1	ADAPTOR G.H.T. SWIVEL x 1/2
41	745 543	1	ADAPTOR, BULKHEAD 1/4
42	753 830	1	NIPPLE, RD. 3/8 x 1/4
43	755 509	1	VALVE, UNLOADER TSB 483, G-12
44	752 629	1	NIPPLE 1/2 x 4 1/2 BRASS
45	745 540	1	ELBOW, ST. 3/8 x 90° BRASS
46	745 682	1	ELBOW, MALE 1/4 BRASS
47	742 170	2	BUSHING 1/2 x 1/4 BRASS
48	368 938	1	ELBOW, ST. 1/4 x 45° BRASS
49	477 613	1	TIE, CABLE
50	755 014	1	HOSE, PULSE 3/8 NPT
51	744 580	1	PLUG, PIPE 3/8 BRASS
52	741 321	2	CLAMP, HOSE
53	756 053	1	HOSE ASSEMBLY 3/8 x 10
54	369 632	1	ELBOW, ST. 1/4 x 90° BRASS
55	749 244	1	TEE 1/2 BRASS
56	740 147	1	NIPPLE 1/2 x 1 1/2 BR. (NOT SHOWN)
57	750 857	1	STRAINER
58	743 012	2	BARB 3/8 x 1/4 S.S.
59	755 584	4	SCREW M8 x 1.25 x 16
60	755 510	1	FILTER, 100 MESH 1/2 NPT - OPTIONAL
61	755 052	1	BACKFLOW PREVENTER - OPTIONAL
62	755 568	1	REGULATOR 1/2 NPT - OPTIONAL

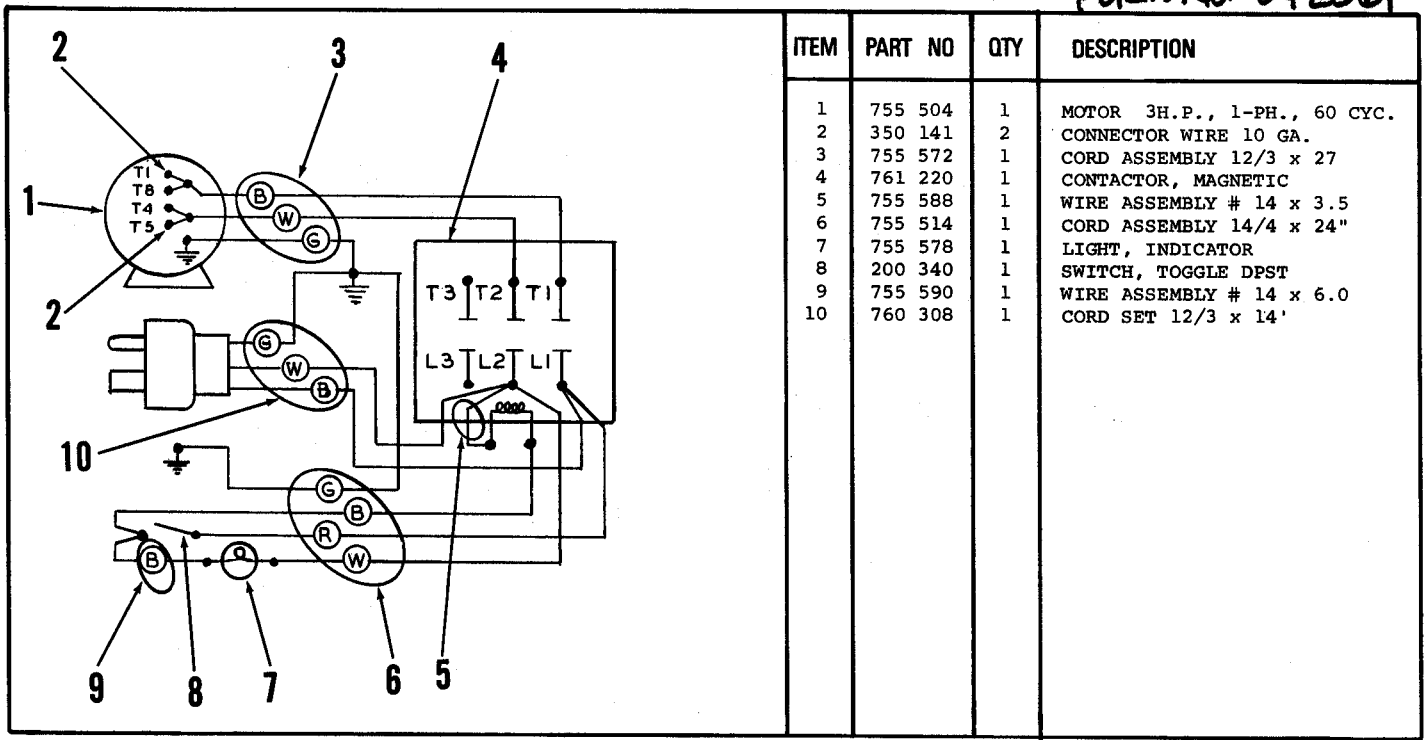


ITEM	PART NO	QTY	DESCRIPTION
1	761 610	1	WAND ASSEMBLY 4'
2	761 645	1	PLUG, QUICK DISCONNECT
3	750 763	1	BUSHING 3/8 x 1/4 BRASS 363
4	761 644	1	SPRAY GUN
5	030 164	1	DECAL, SPRAY WAND
6	761 647	1	LANCE, HANDLE
7	761 698	2	STOP, PISTON
8		4	SCREW, SOCKET SET 1/4-20 x 1/4
9	761 600	1	WAND, WELDMENT 4'
10	761 606	1	PISTON
11	761 325	2	O-RING
12	761 323	2	RING, BACK-UP
13	747 056	1	NOZZLE (1508 RED) 1000 PSI
14	761 680	1	NOZZLE (4030 YELLOW) 1000 PSI
15	761 726	1	REPAIR KIT FOR 761 644 SPRAY GUN
			INCLUDES:
16		1	SPRING
17		1	BALL
18		1	SAFETY RING
19		1	STAINLESS SEAT
20		1	O-RING
21		1	O-RING
22		1	ADAPTOR
23	761 728	1	FITTING (FOR REPLACEMENT ONLY)



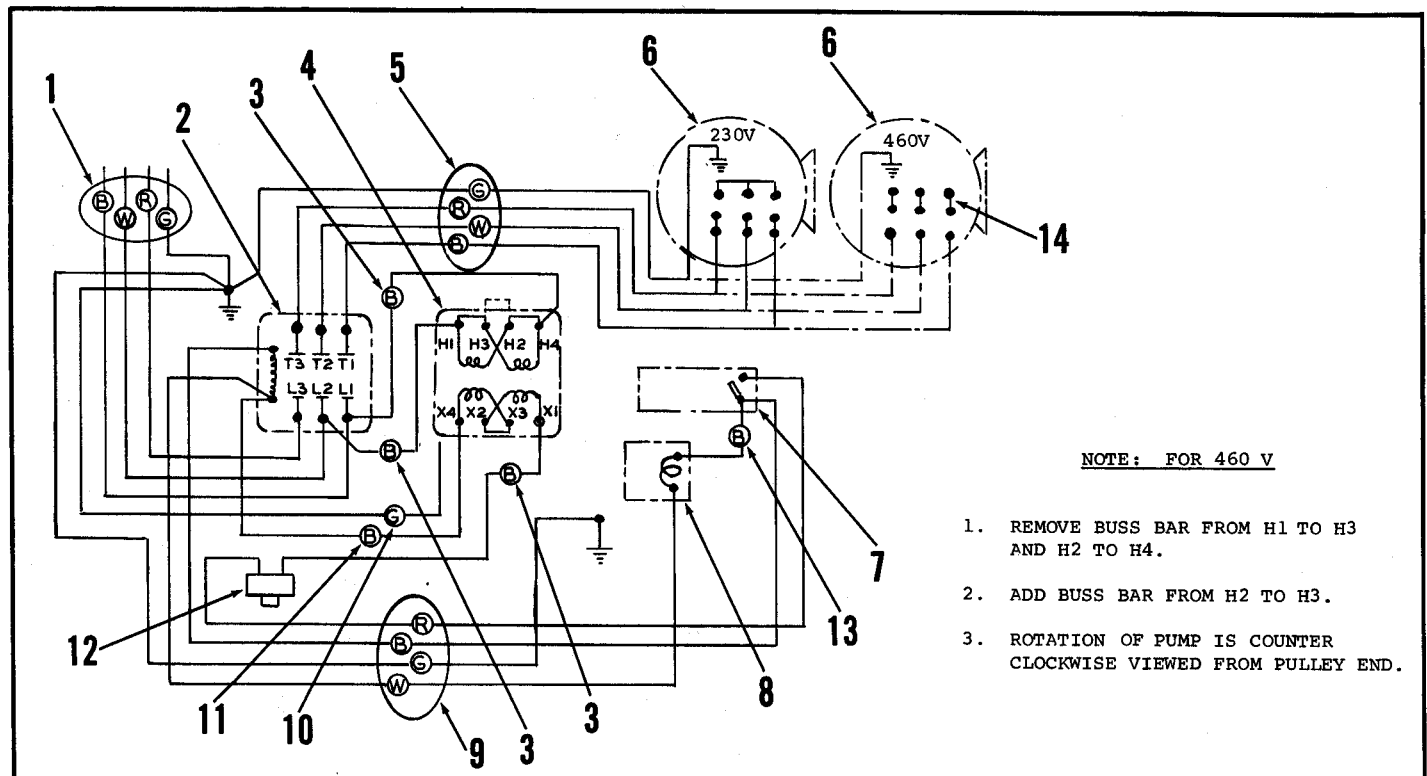
ITEM	PART NO	QTY	DESCRIPTION	ITEM	PART NO	QTY	DESCRIPTION
1	755 930	4	NUT, HEX (M8)	25	755 952	3	CONNECTING ROD
2	755 931	2	LOCKWASHER (M8)	26	755 554	1	KEY (5MM)
3	755 932	1	DISCHARGE MANIFOLD	27	755 954	1	OIL SEAL
4	755 904	1	DISCHARGE VALVE KIT - QUIET VALVE	28	755 955	1	OIL SEAL CASE
5	755 933	1	HI-PRESSURE PISTON KIT	29	755 956	1	O-RING, FILLER CAP
6	755 903	1	HI-PRESSURE CUP KIT	30	755 957	1	FILLER CAP, OIL
7	755 905	1	PERM-A-LUBE SEAL KIT	31	755 958	1	COVER SEAL, O-SECTION
8	755 935	3	CYLINDER	32	755 959	1	OIL GAUGE
9	755 936	3	SEAL RETAINER	33	755 960	1	CRANKCASE COVER
10	755 937	3	BARRIER SLINGER	34	755 961	6	SCREW, SEMS (M6 x 20) W/WASHERS
11	755 938	3	WASHER	35	755 962	1	O-RING, DRAIN PLUG
12	755 939	3	OIL SEAL	36	755 963	1	DRAIN PLUG
13	755 940	3	SEAL WASHER				
14	755 941	3	PISTON ROD				
15	755 942	3	PISTON PIN				
16	755 943	2	STUD (M8 x 85)				
17	755 944	1	CRANKCASE				
18	755 945	1	INLET MANIFOLD				
19	755 946	8	BOLT, SEMS (M6 x 14) W/WASHERS				
20	755 947	1	COVER, SHAFT CASE				
21	755 948	2	O-RING, OIL SEAL CASE				
22	755 949	1	WASHER, BEARING SHIM				
23	755 950	2	BEARING				
24	755 951	1	CRANKSHAFT				

PUMP ASSEMBLY



ITEM	PART NO	QTY	DESCRIPTION
1	755 504	1	MOTOR 3H.P., 1-PH., 60 CYC.
2	350 141	2	CONNECTOR WIRE 10 GA.
3	755 572	1	CORD ASSEMBLY 12/3 x 27
4	761 220	1	CONTACTOR, MAGNETIC
5	755 588	1	WIRE ASSEMBLY # 14 x 3.5
6	755 514	1	CORD ASSEMBLY 14/4 x 24"
7	755 578	1	LIGHT, INDICATOR
8	200 340	1	SWITCH, TOGGLE DPST
9	755 590	1	WIRE ASSEMBLY # 14 x 6.0
10	760 308	1	CORD SET 12/3 x 14'

ELECTRICAL SCHEMATIC SINGLE PHASE



NOTE: FOR 460 V

1. REMOVE BUSS BAR FROM H1 TO H3 AND H2 TO H4.
2. ADD BUSS BAR FROM H2 TO H3.
3. ROTATION OF PUMP IS COUNTER CLOCKWISE VIEWED FROM PULLEY END.

ITEM	PART NO	QTY	DESCRIPTION	ITEM	PART NO	QTY	DESCRIPTION
1	755 604	1	POWER CORD	10	760 412	1	WIRE ASSEMBLY # 14 x 16.00
2	761 220	1	CONTACTOR, MAGNETIC	11	755 602	1	WIRE ASSEMBLY # 14 x 6.00
3	755 600	3	WIRE ASSEMBLY # 14 x 13.00	12	755 850	1	CIRCUIT BREAKER .2 Amp
4	760 510	1	TRANSFORMER	13	755 590	1	WIRE ASSEMBLY # 14 x 6.00
5	755 598	1	CORD ASSEMBLY 14/4 x 26.00	14	350 141	4	CONNECTOR WIRE 10 GA.
6	755 506	1	MOTOR 3HP, 3PH, 60 CYC.				
7	200 340	1	SWITCH, TOGGLE DPST				
8	755 578	1	LIGHT, INDICATOR 230V				
9	755 514	1	CORD ASSEMBLY 14/4 x 24"				

6 ELECTRICAL SCHEMATIC 3-PHASE

