



Electronic Service Manuals

This electronic document is provided as a service to our customers. We do not create the contents of the information contained in this document. Should you have detailed questions pertaining to the information contained in this document, you may contact Michco, or the manufacturer which provided the original information in this electronic deliverable. Michco's only part in this electronic deliverable was the electronic assembly process.

You may contact Michco through the following methods:
Phone (517) 484-9312 or (800) 331-3339 MI, OH, IN only
2011 N. High St. -- Lansing, Michigan -- 48906
Fax: (517) 484-9836
Email: CustServ@Michco.com
Web site: www.Michco.Com
Parts Web site: www.FloorMachineParts.Com

Order Parts on Line at:
www.FloorMachineParts.Com

Directly to Parts & Service:
By Email: **Shop@Michco.com**
By Fax: (517) 702-2041
By Voice: Use numbers above.

Serving the Cleaning Industry Since 1922

Notice: All copyrighted material remains property of original owners, all trademarks are property of respective owners. Manuals are subject to Manufacturer's reproduction limitations. Originals or reproductions were provided by manufacturers through a request. We make no warranty as to the correctness of information provided in this document and you assume all risk.

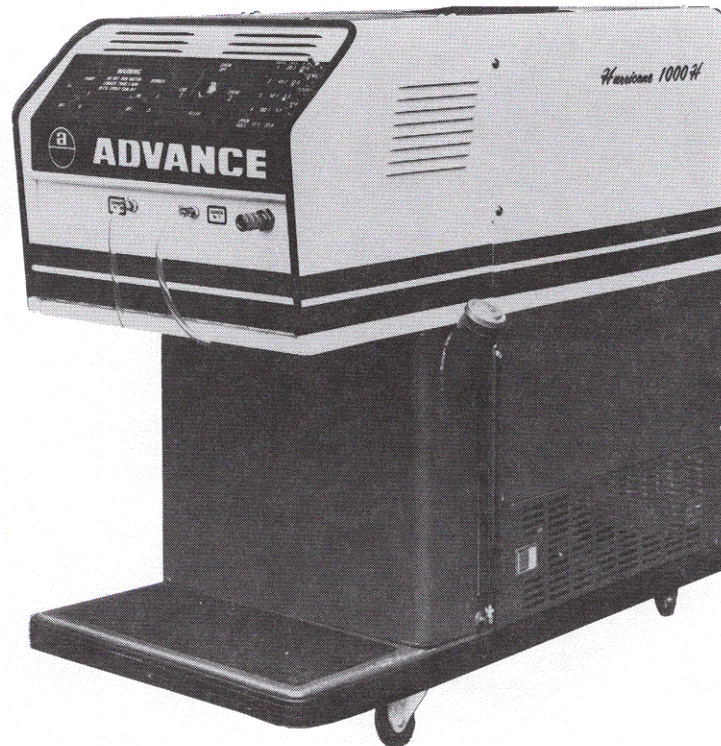
HURRICANE 1000HO

**MODEL 1000HO-1
1000HO-3**

FORM NO. 042 080

AUGUST 1982

PARTS LIST



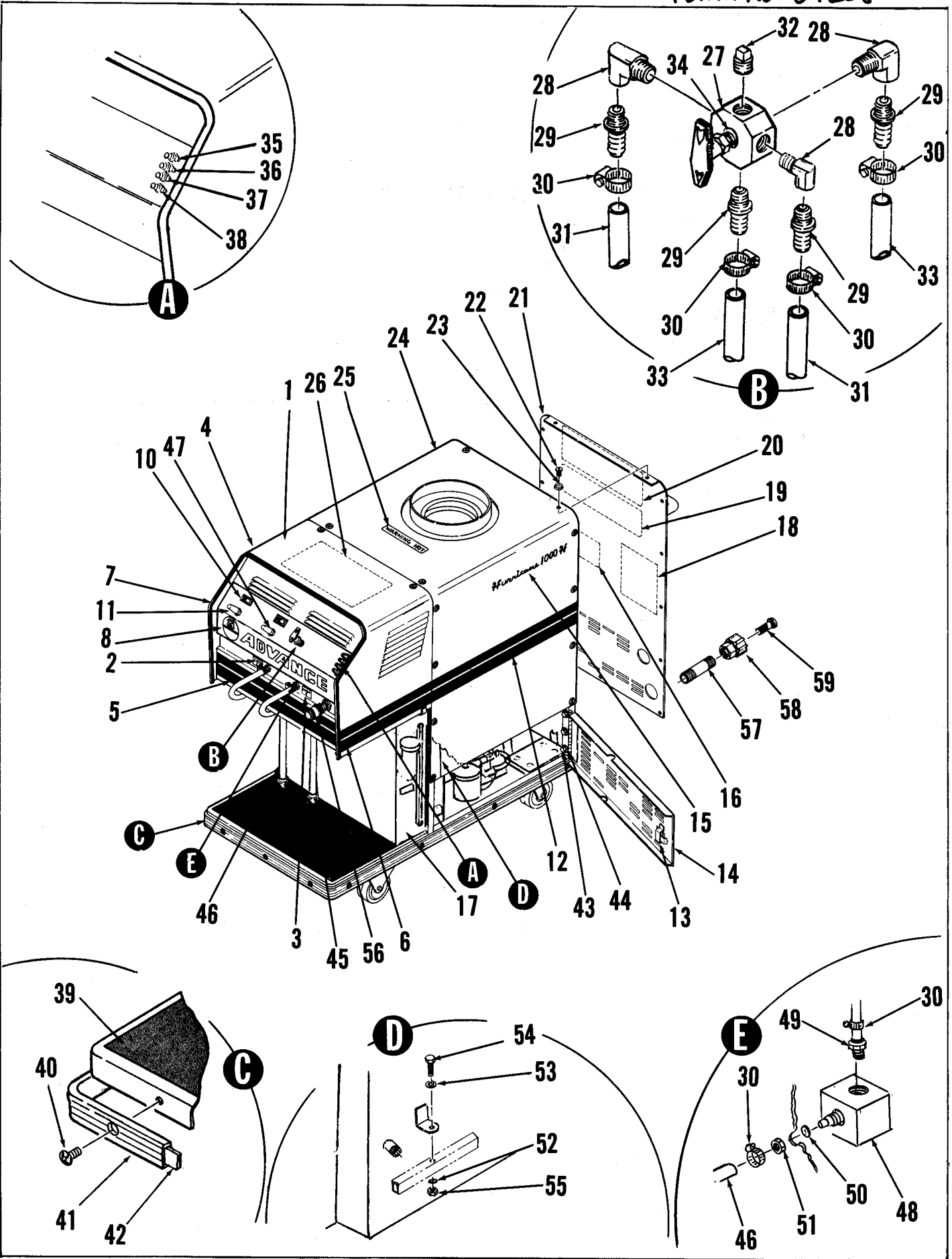
**ADVANCE
MACHINE COMPANY**

INTERNATIONAL HEADQUARTERS, Spring Park, Minnesota 55384 USA
EUROPE, 4 Rue Jean Engling, L - 1466 Luxembourg
CANADA, 1295 Crestlawn Drive, Mississauga, Ontario L4W 1A9



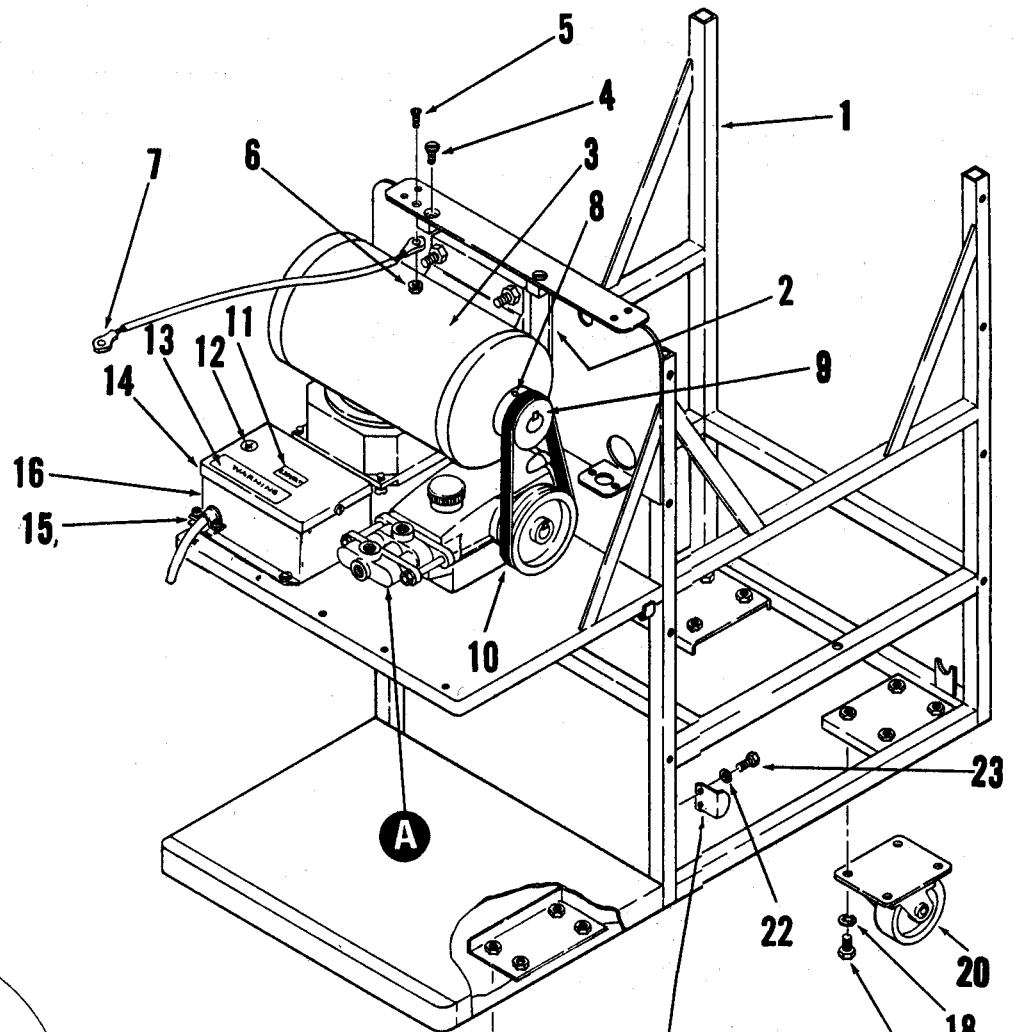
INDEX FOR FORM NUMBER 042080

<u>Description</u>	<u>Location</u>	<u>Page</u>
Burner & Coil	D1	5
Outer Body	C11	1
Pump & Motor Assembly	C13	3
Pump (internal parts)	D4	8
Wand	D3	7
Wiring Diagram	D5	9

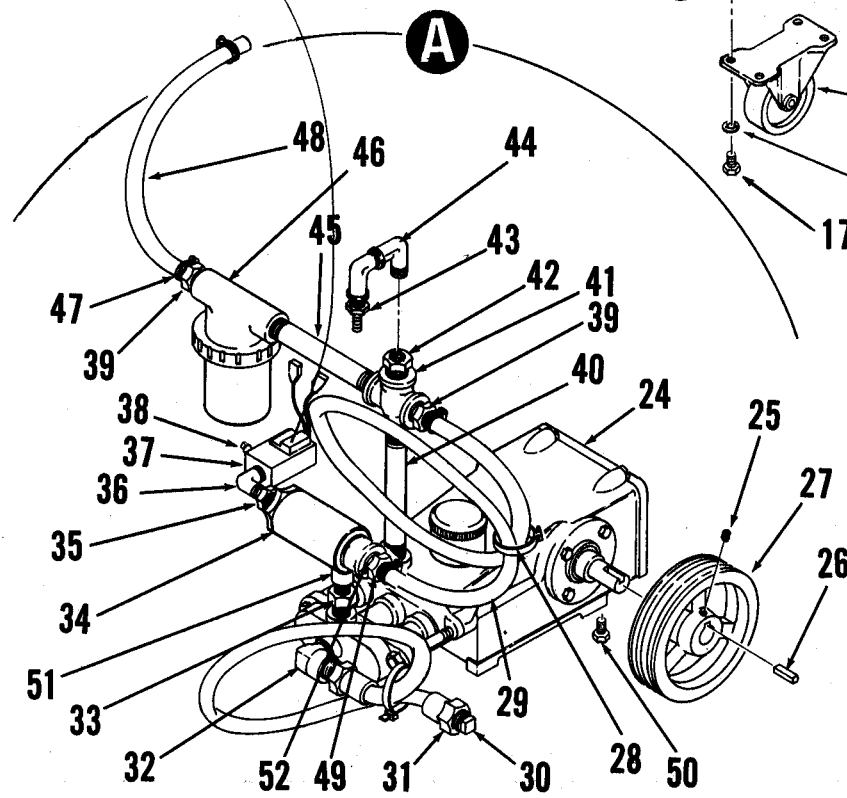


HOUSING ASSEMBLY

ITEM	PART NO	QTY	DESCRIPTION
1	755 805	1	SHROUD ASSEMBLY C/O
	755 808	1	SHROUD
2	030 064	1	DECAL, CHEM #1
3	030 066	1	DECAL, CHEM #2
4	030 222	1	DECAL, STRIPE R.H.
5	030 216	1	DECAL, STRIPE FRONT
6	030 220	1	DECAL, STRIPE L.H
7	755 818	1	TRIM
8	030 226	1	DECAL, ADVANCE
9	014 119	1	DECAL,GROUND SYMBOL
10	249 527	2	INDICATOR LIGHT
11	200 340	2	SWITCH,TOGGLE DPST
12	030 218	1	DECAL, SIDE STRIPE
13	761 160	2	PADDLE, LATCH
14	755 798	2	DOOR WELDMENT
15	030 236	2	DECAL, HURRICANE 1000H
16	030 242	1	NAMEPLATE
17	755 700	1	FUEL TANK ASSEMBLY
18	030 238	1	DECAL, CLEANING INSTRUCTION
19	030 202	1	DECAL, WARNING
20	030 232	1	DECAL, INSTRUCTION
21	755 586	1	COVER, BACK
22		33	SCREW,PH.OVAL HD. #10-24 x 3/8
23	449 340	33	WASHER,FINISHING #10
24	755 794	1	COVER, TOP
25	030 072	1	DECAL, WARNING,HOT
26	030 278	1	DECAL, WIRING
27	755 881	1	CHEMICAL VALVE ASSEMBLY C/O
	752 266	1	VALVE 3-WAY 1/8
28	111 309	3	ELBOW ,ST. 1/8 x 90 BR.
29	369 594	4	BARB, 1/4 x 1/8 BR.
30	756 364	10	CLAMP,HOSE SAE #4
31	755 880	2	TUBE,PVC .25 x 6.5
32	742 477	1	PLUG,PIPE 1/8 BR.
33	755 885	2	HOSE,.25 x 26
34	219 401	1	WASHER
35	755 593	1	BARB, #1 (.0520)
36	755 594	1	BARB, #2 (.0360)
37	755 595	1	BARB, #3 (.0292)
38	755 596	1	BARB, #4 (/0240)
39	755 817	1	MAT, STORAGE
40		21	SCREW,HP5 PH.PAN HD. #10-24 x 1/2
41	755 804	1	BUMPER
42	755 806	1	STRAP, BUMPER
43		28	SCREW,HEX WASHER HED. #10-24 x 1/2
44		15	WASHER,FLAT #10
45	750 857	2	STRAINER
46	755 878	2	TUBE,PVC .25 x 37.00
47	756 514	2	BOOT,TOGGLE SWITCH
48	755 854	2	BARB, 1/4 x 1/8 x 90 BR.
49	369 594	2	BARB, 1/4 x 1/8 BR.
50		2	WASHER,SHAKEPROOF 3/8
51		2	NUT,HEX 3/8-16
52		2	WASHER,LOCK 5/16
53		2	WASHER,FLAT 5/16
54		2	SCREW,HEX HD. 5/16-18 x 2.00
55		2	NUT,HEX 5/16-18
56	756 436	1	SOCKET,DISCONNECT
57	760 066	1	NIPPLE
58	740 152	1	ADAPTOR
59	752 352	1	FILTER,INLET

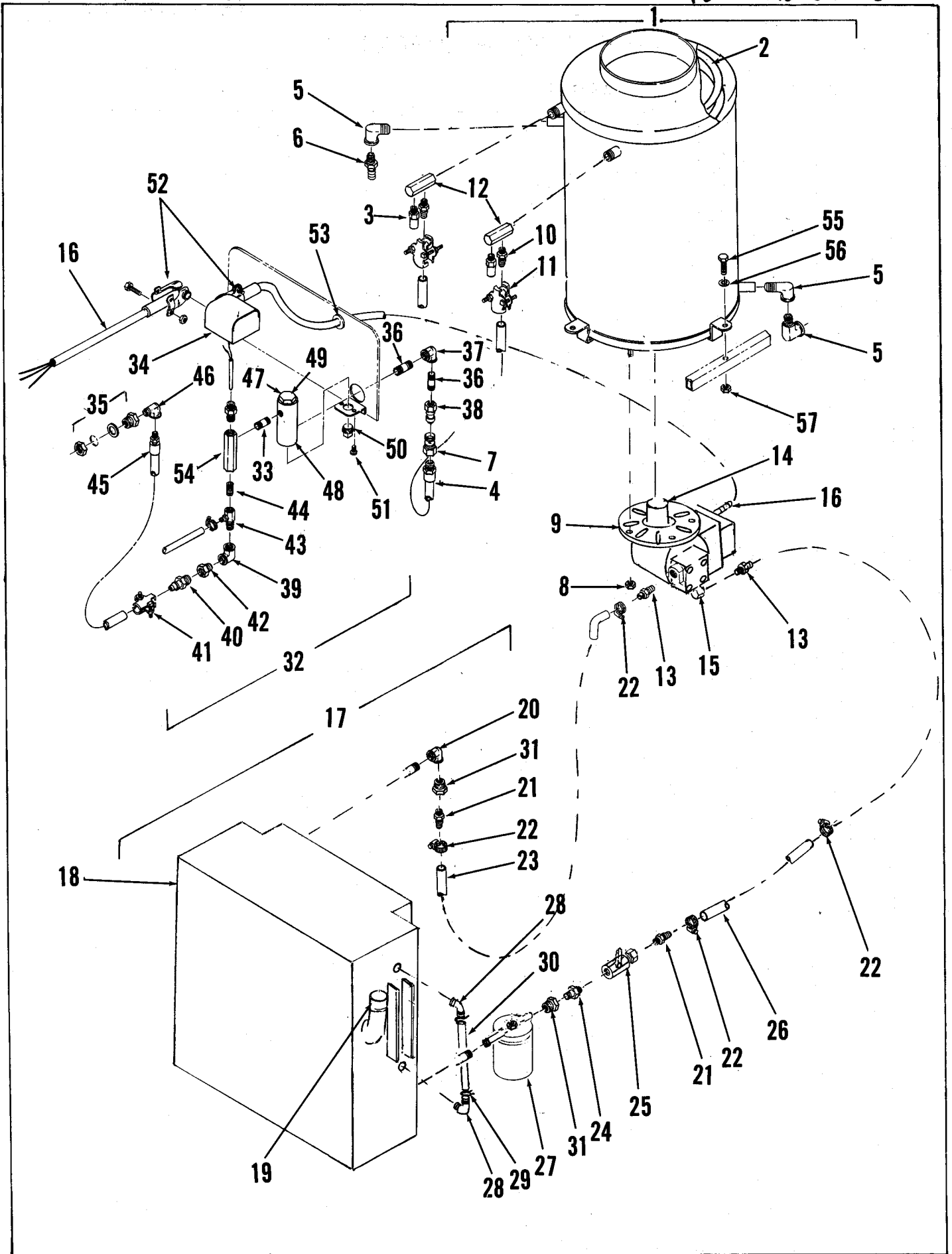


SENSOR ONLY
SWITCH
755869



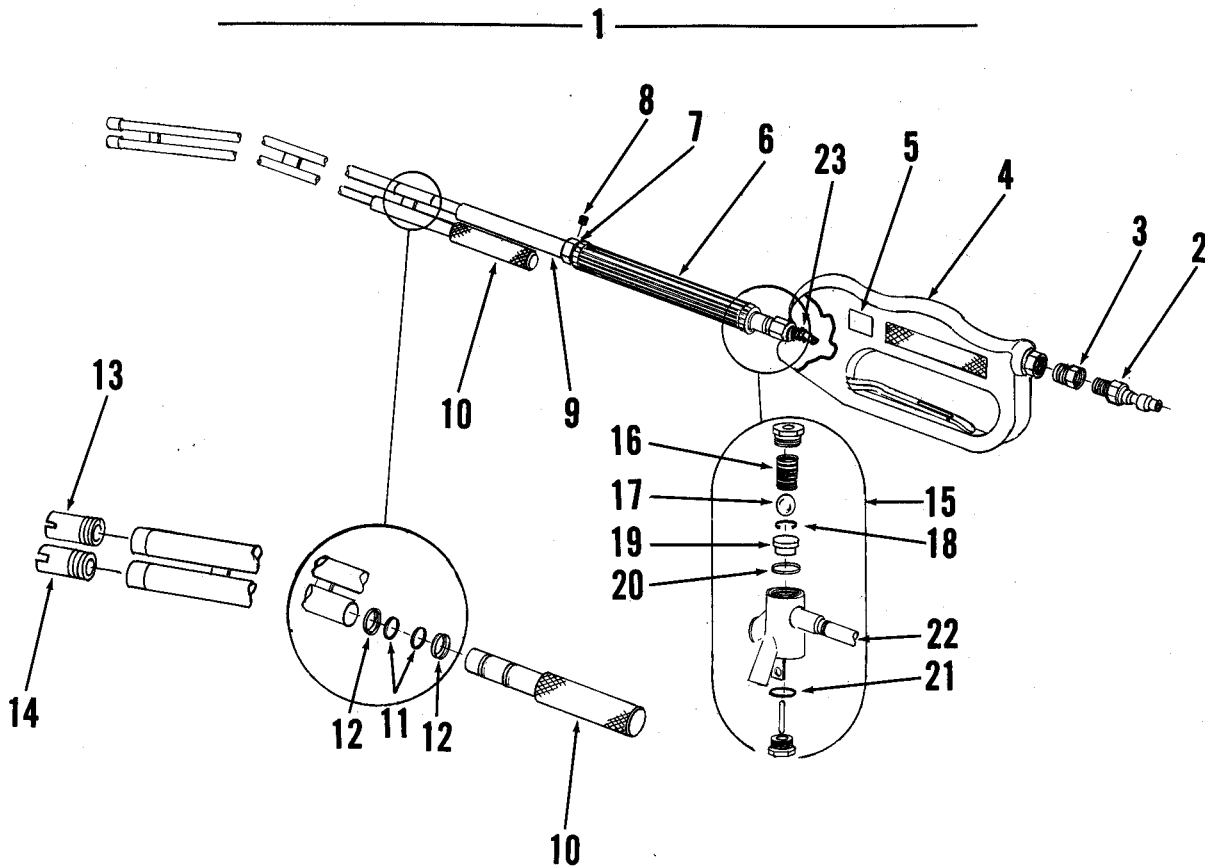
CHASSIS & PUMP ASSEMBLY

ITEM	PART NO	QTY	DESCRIPTION
1	755 754	1	MAIN FRAME
2	755 564	1	MOUNT, MOTOR
3	755 504	1	MOTOR, 3 HP 1 PH 60CY
	755 506	1	MOTOR, 3 HP 3 PH 60CY
4		2	SCREW, FLAT HD. 5/16-18 x 1-1/4
5		1	SCREW, FLAT HD. #10-24 x 5/8
6		2	NUT, WHIZ #10-24
7	755 830	1	WIRE ROPE ASSEMBLY
8		2	SCREW, SET FL. PT. 1/4-20 x 1/2
9	755 550	1	SHEAVE, POLY-V
10	171 207	1	BELT, POLY-V
11	016 595	1	DECAL, 230B
12	014 119	3	DECAL, GROUND SYMBOL
13	030 090	1	DECAL, ELECTRICAL WARNING
14	755 555	1	COVER, ELECTRICAL BOX
15	743 336	5	CONNECTOR, BOX STREET
16	755 556	1	BOX, ELECTRICAL
17		16	SCREW, HEX HD. 3/8-16 x 3/4
18		16	WASHER, SHAKEPROOF 3/8
19	205 583	2	CASTER, RIDGED
20	205 575	1	CASTER, SWIVEL
21	755 584	2	LATCH, DOOR
22		4	WASHER, FLAT #10
23		4	SCREW, HEX HD. #10-24 x 1/2
24	755 811	1	PUMP ASSEMBLY C/O
	755 502	1	PUMP, 1200 PSI, 4 GPM
25		2	SCREW, SOCKET SET 1/4 20 x 3/8
26	755 584	1	KEY, SQUARE
27	755 552	1	SHEAVE, POLY-V
28	477 613	2	CABLE TIE
29	755 606	1	HOSE
30	744 580	1	PLUG, PIPE 3/8 BR
31	755 014	1	HOSE, PULSE
32	745 540	1	ELBOW, ST 3/8 x 90 BR
33	751 687	1	BUSHING, 1/2 x 3/8 BR
34	755 509	1	VALVE, UNLOADER
35	750 363	1	BUSHING, 3/8 x 1/4 BR.
36	755 827	1	ELBOW, 1/4 MACH.
37	755 868	1	SWITCH, FLOW
38	740 182	1	PLUG, QUICK DISCONNECT
39	118 117	2	BARB, 1/2 x 1/2 BR.
40	753 721	1	NIPPLE, 1/2 x 6.00 BR.
41	751 684	1	CROSS, 1/2 BR.
42	753 006	1	BUSHING, 1/2 x 1/8
43	755 726	1	BARB, 1/4 x 1/8 x 90 BR.
44	111 309	1	ELBOW, ST 1/8 x 90 BR.
45	760 066	1	NIPPLE, 1/2 x 4.00 BR.
46	755 510	1	FILTER 100 MESH 1/2 NPT
47	219 932	4	CLAMP, HOSE SAE #6
48	755 898	1	HOSE, .50 x .84 x 26.00
49	755 825	1	BARB, 1/2 x 1/4 SPECIAL
50	755 584	4	SCREW, M8 x 1.25 x 16
51	755 565	1	NIPPLE, HEX 3/8 x 2.00 BR.
52	742 170	1	BUSHING, 1/2 x 1/4 BR.

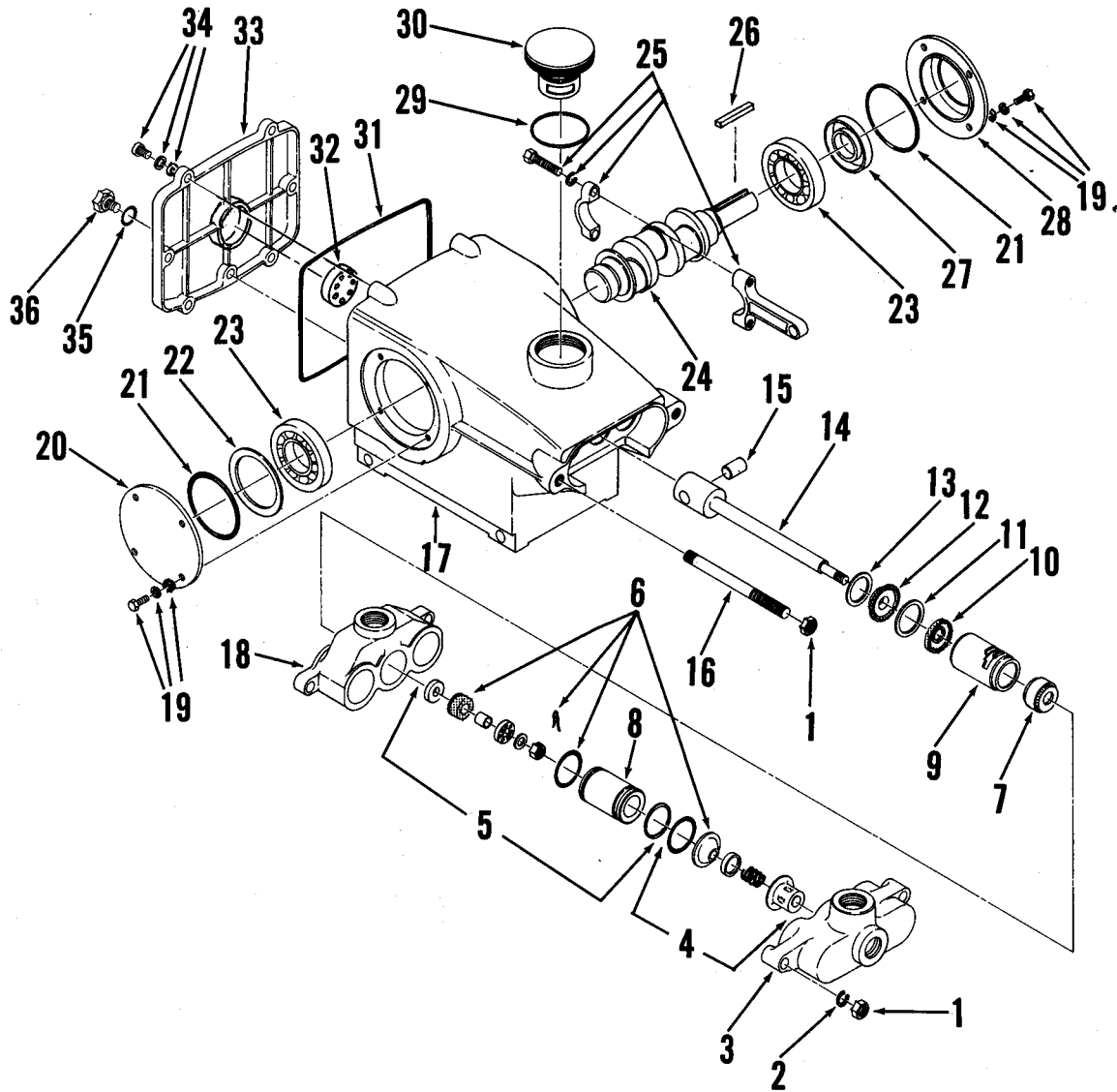


COIL ASSEMBLY

ITEM	PART NO	QTY	DESCRIPTION
1	755 730	1	COIL & BURNER ASSEMBLY C/O
2	755 732	1	COIL ASSEMBLY
	755 777	1	COIL REPLACEMENT ONLY
3	755 873	2	VALVE, POP-OFF
4	755 894	2	HOSE, 3/8 x 25.00
5	742 125	3	ELBOW, S.T 1/2 x 90 BR
6	118 117	1	BARB, 1/2 x 1/2 BR
7	740 127	2	SOCKET, DISCONNECT
8		3	NUT, WHIZ 5/16-18
9	755 736	1	OIL BURNER 230V/60 HZ.
10	743 012	2	BARB, 3/8 x 1/4 S.S
11	741 321	2	CLAMP, HOSE
12	755 833	2	ELBOW, 1/4 x 1/2 90 BR.
13	752 339	2	BARB, 3/16 x 1/4 BR.
14	755 748	1	NOZZLE, BURNER 2.25
15	369 632	1	ELBOW, ST. 1/4 x 90 BR.
16	755 742	1	CORD ASSEMBLY 14/3 x 70.00
17	755 700	1	FUEL TANK, SUB ASSEMBLY C/O
18	755 702	1	FUEL TANK WELDMENT
19	478 502	1	CAP, FUEL TANK
20	757 310	1	ELBOW, 3/8 x 90 BR.
21	752 339	2	BARB, 3/16 x 1/4 BR
22	756 364	4	CLAMP, HOSE SAE #4
23	752 346	1	TUBE, RUBBER .187 x 15
24	742 317	1	NIPPLE, 1/4 HEX BR.
25	745 649	1	VALVE, 2-WAY 1/4
26	755 728	1	TUBE, RUBBER .19 x 9.00
27	752 259	1	FILTER, FUEL
	752 255	1	CARTRIDGE FUEL FILTER, (REPLACEMENT)
28	755 726	2	BARB, 1/4 x 1/8 x 90 BR
29	478 246	2	CABLE TIE
30	755 524	1	TUBE, PVC .25 x 14.85
31	750 363	2	BUSHING, 3/8 x 1/4 BR.
32	755 877	1	FILTER DISCHARGE ASSEMBLY C/O
33	750 688	1	NIPPLE, 1/4 x 1-1/2 BR.
34	755 852	1	THERMOSTAT, 115V
35	745 543	1	ADAPTOR, BLKHD. 1/4
36	369 624	2	NIPPLE, 1/4 x 2/00 BR.
37	340 782	1	ELBOW, 1/4 x 90 BR.
38	740 182	1	PLUG, QUICK DISCONNECT
39	757 310	1	ELBOW, 3/8 x 90 BR.
40	743 012	1	BARB, 3/8 x 1/4 S.S.
41	741 321	1	CLAMP, HOSE
42	750 363	1	BUSHING, 3/8 x 1/4 BR.
43	755 512	1	INJECTOR, LIQUID
44	752 730	1	NIPPLE, CLOSE 3/8 BR.
45	755 890	1	HOSE, 3/8 x 16.00
46	369 632	1	ELBOW, ST. 1/4 x 90
47	761 498	1	FILTER ASSEMBLY C/O
48	761 500	1	BODY, FILTER
49	761 502	1	CAP, FILTER
	761 504	2	O-RING (NOT SHOWN)
	760 438	A/R	LUBRICANT, O-RING
	752 352	1	INLET, FILTER (NOT SHOWN)
50	744 598	1	PLUG, PIPE
51		2	SCREW, PAN HD. #10-24 x 5/8
52	743 340	2	CONNECTOR, BOX
53	760 212	1	GROMMET, 1.000
54	755 879	1	TEE, 1/2 x 3/8 x 1/4 BR.
55		4	SCREW, HEX HD. 5/16-18 x 1-1/2
56		4	WASHER, SHAKEPROOF 5/16
57		4	NUT, HEX 5/16-18
	755 875	A/R	HEAT COND.COMPOUND
	752150		TRANSFORMER FOR BURNER



ITEM	PART NO	QTY	DESCRIPTION
1	761 610	1	WAND ASSEMBLY 4'
2	761 645	1	PLUG, QUICK DISCONNECT
3	750 363	1	BUSHING 3/8 x 1/4 BRASS
4	761 644	1	SPRAY GUN
5	030 164	1	DECAL, SPRAY WAND
6	761 647	1	LANCE, HANDLE
7	761 698	2	STOP, PISTON
8		4	SCREW, SOCKET SET 1/4-20 x 1/4
9	761 600	1	WAND, WELDMENT 4'
10	761 606	1	PISTON
11	761 325	2	O-RING
12	761 323	2	RING, BACK-UP
13	747 056	1	NOZZLE (1508 RED) 1000 PSI
14	761 680	1	NOZZLE (4030 YELLOW) 1000 PSI
15	761 726	1	REPAIR KIT FOR 761 644 SPRAY GUN
			INCLUDES:
16		1	SPRING
17		1	BALL
18		1	SAFETY RING
19		1	STAINLESS SEAT
20		1	O-RING
21		1	O-RING
22		1	ADAPTOR
23	761 728	1	FITTING (FOR REPLACEMENT ONLY)



ITEM	PART NO	QTY	DESCRIPTION	ITEM	PART NO	QTY	DESCRIPTION
1	755 930	4	NUT, HEX (M8)	25	755 952	3	CONNECTING ROD
2	755 931	2	LOCKWASHER (M8)	26	755 554	1	KEY (5MM)
3	755 932	1	DISCHARGE MANIFOLD	27	755 954	1	OIL SEAL
4	755 904	1	DISCHARGE VALVE KIT - QUIET VALVE	28	755 955	1	OIL SEAL CASE
5	755 933	1	HI-PRESSURE PISTON KIT	29	755 956	1	O-RING, FILLER CAP
6	755 903	1	HI-PRESSURE CUP KIT	30	755 957	1	FILLER CAP, OIL
7	755 905	1	PERM-A-LUBE SEAL KIT	31	755 958	1	COVER SEAL, O-SECTION
8	755 935	3	CYLINDER	32	755 959	1	OIL GAUGE
9	755 936	3	SEAL RETAINER	33	755 960	1	CRANKCASE COVER
10	755 937	3	BARRIER SLINGER	34	755 961	6	SCREW, SEMS (M6 x 20) W/WASHERS
11	755 938	3	WASHER	35	755 962	1	O-RING, DRAIN PLUG
12	755 939	3	OIL SEAL	36	755 963	1	DRAIN PLUG
13	755 940	3	SEAL WASHER				
14	755 941	3	PISTON ROD				
15	755 942	3	PISTON PIN				
16	755 943	2	STUD (M8 x 85)				
17	755 944	1	CRANKCASE				
18	755 945	1	INLET MANIFOLD				
19	755 946	8	BOLT, SEMS (M6 x 14) W/WASHERS				
20	755 947	1	COVER, SHAFT CASE				
21	755 948	2	O-RING, OIL SEAL CASE				
22	755 949	1	WASHER, BEARING SHIM				
23	755 950	2	BEARING				
24	755 951	1	CRANKSHAFT				

PUMP ASSEMBLY

