



Electronic Service Manuals

This electronic document is provided as a service to our customers. We do not create the contents of the information contained in this document. Should you have detailed questions pertaining to the information contained in this document, you may contact Michco, or the manufacturer which provided the original information in this electronic deliverable. Michco's only part in this electronic deliverable was the electronic assembly process.

You may contact Michco through the following methods:
Phone (517) 484-9312 or (800) 331-3339 MI, OH, IN only
2011 N. High St. -- Lansing, Michigan -- 48906
Fax: (517) 484-9836
Email: CustServ@Michco.com
Web site: www.Michco.Com
Parts Web site: www.FloorMachineParts.Com

Order Parts on Line at:
www.FloorMachineParts.Com

Directly to Parts & Service:
By Email: **Shop@Michco.com**
By Fax: (517) 702-2041
By Voice: Use numbers above.

Serving the Cleaning Industry Since 1922

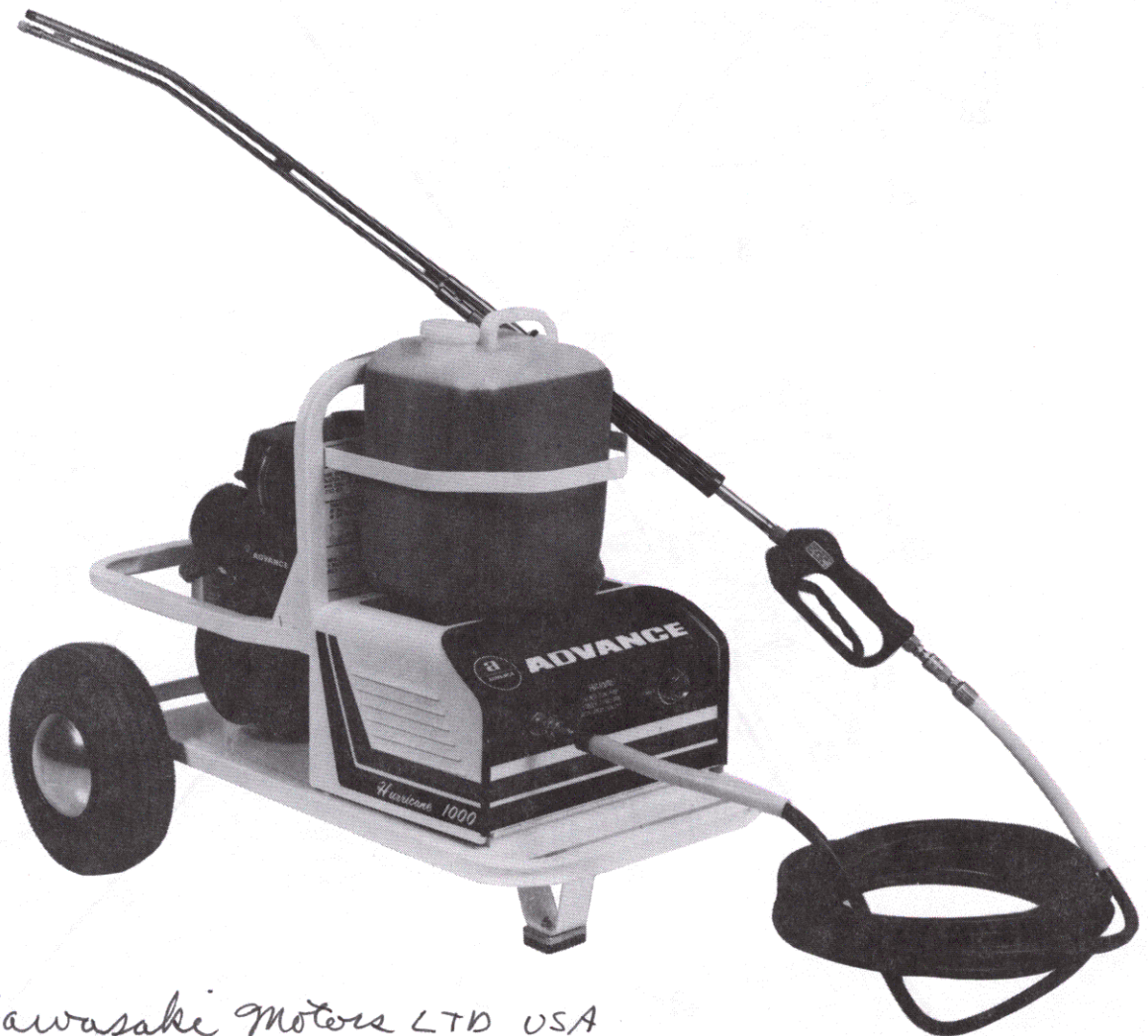
Notice: All copyrighted material remains property of original owners, all trademarks are property of respective owners. Manuals are subject to Manufacturer's reproduction limitations. Originals or reproductions were provided by manufacturers through a request. We make no warranty as to the correctness of information provided in this document and you assume all risk.

HURRICANE 1000G

FORM NO. 042071

DECEMBER 1981

PARTS LIST



*Kawasaki Motors LTD USA
Parts & Service 1-800-328-2184*

**ADVANCE
MACHINE COMPANY**

INTERNATIONAL HEADQUARTERS, Spring Park, Minnesota 55384 USA
EUROPE, 4 Rue Jean Engling, L - 1466 Luxembourg
CANADA, 1295 Crestlawn Drive, Mississauga, Ontario L4W 1A9

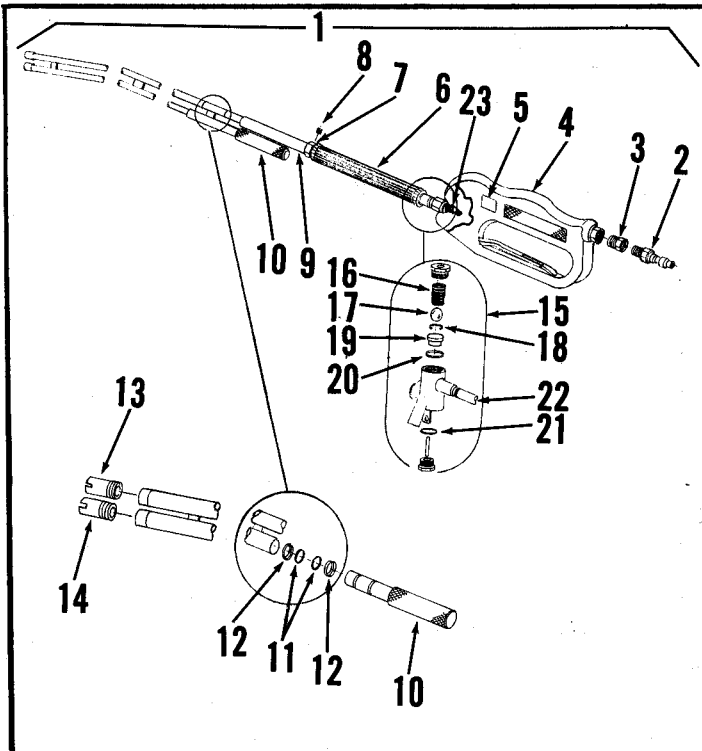


INDEX FOR FORM NUMBER 042071

<u>Description</u>	<u>Location</u>	<u>Page</u>
Pump & Engine Assembly	B11	1
Pump (internal parts)	B13	3
Wand	B12	2

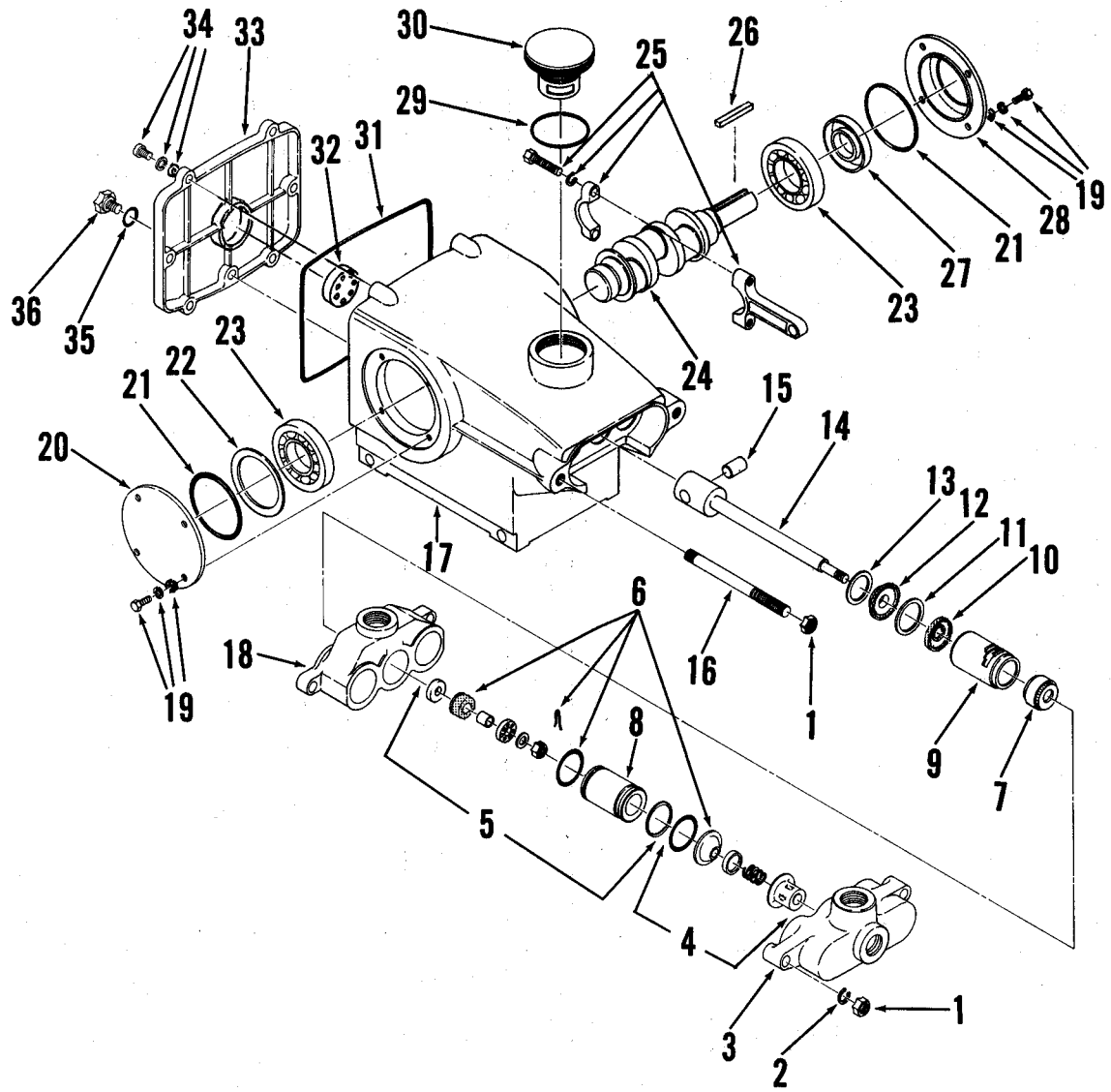
HOUSING & BASE ASSEMBLY

ITEM	PART NO	QTY	DESCRIPTION	ITEM	PART NO	QTY	DESCRIPTION
1	750 857	1	STRAINER	44	030 210	1	DECAL, STRIPE-FRONT
2	742 994	1	TUBE, PVC .25 x 60"	45	030 214	1	DECAL, LEFT
3		5	SCREW, PAN HD. #10-24 x 1/2	46	030 208	1	DECAL, "INSTRUCTION"
4	300 152	1	CLAMP, CORD	47	759 062	2	LOCK NUT 5/16-18
5	755 606	1	HOSE .50 x .84 x 48"	48		8	WASHER, FLAT 5/16
6	755 509	1	VALVE, UNLOADER TSB483, G-12	49	759 024	1	FRAME
7	369 632	2	ELBOW, ST 1/4 x 90 BR	50	365 083	1	CUP, PEDAL
8	477 613	2	CABLE TIE	51	365 082	1	PAD, RUBBER
9	759 070	1	HOSE ASSEMBLY 3/8 x 19"	52		2	SCREW, FLAT HD. 1/4-20 x 1 1/4
10	750 363	1	BUSHING 3/8 x 1/4 BR		759 060	2	LOCK NUT (NOT SHOWN) 1/4-20
11	756 364	1	CLAMP, HOSE SAE #4	53	365 081	1	PLATE
12	759 072	1	ADAPTER 3/8 x 1/4 BR	54		2	SCREW, HEX HD. 5/16-18 x 1 1/2
13	745 543	1	ADAPTER, BLKHD 1/4	55	755 584	4	SCREW M8 x 1.25 x 16
14	756 436	1	SOCKET DISCONNECT	56		4	LOCKWASHER 5/16
15	755 512	1	INJECTOR, LIQUID	57	759 058	4	LOCK NUT 3/8-16
16	219 932	2	CLAMP, HOSE SAE 6	58		6	WASHER, FLAT 3/8
17	373 456	2	BARB 1/2 x 1/4 BR SP	59	755 596	1	BARB .25 #4 (.0240)
18	745 682	1	ELBOW, MALE 1/4 BR	60	755 595	1	BARB .25 #3 (.0292)
19	742 170	2	BUSHING 1/2 x 1/4 BR	61	755 594	1	BARB .25 #2 (.0360)
20	745 540	1	ELBOW, ST 3/8 x 90 BR	62	755 593	1	BARB .25 #1 (.0520)
21	752 352	1	FILTER, INLET	63	340 103	2	CAP, HUB
22	740 152	1	ADAPTER GHT SWV x 1/2	64		2	SCREW, HEX HD. 3/8-16 x 3/4
23	744 580	1	PLUG, PIPE 3/8 BR	65	340 073	2	WHEEL
24	753 721	1	NIPPLE 1/2 x 6" BR	66	362 883	2	WASHER, SPRING
25	749 319	1	TEE, STREET 1/2 BR	67	030 082	1	NAMEPLATE
26	755 014	1	HOSE, PULSE 3/8 NPT	68	030 072	1	DECAL, "WARNING HOT"
27	742 125	1	ELBOW, ST 1/2 x 90 BR	69	755 552	1	SHEAVE, POLY-V 12J4.97
28	743 012	1	BARB 3/8 x 1/4 SS	70	755 554	1	KEY
29	741 321	1	CLAMP, HOSE	71		2	SCREW, SET FL PT 1/4-20 x 1/2
31	759 002	1	ENGINE 7 HP	72	759 004	1	BELT GUARD
32		4	SCREW, HEX HD. 3/8-16 x 1 1/2	73		6	WASHER, FLAT 1/4
33	755 502	1	PUMP 1200 PSI 4 GPM	74		6	LOCKWASHER 1/4
34	759 012	1	MOUNT, PUMP	75		6	SCREW, HEX HD. 1/4-20 x 1/2
35	759 078	1	MAT, SHROUD	76	030 080	1	DECAL, "HANDS CLEAR"
36		2	SCREW, OVAL HD. 1/4-20 x 1/2	77	759 066	1	BELT, POLY-V 360J12
37	481 830	2	WASHER, FINISHING 1/4	78	759 080	1	SHEAVE, POLY-V 12J2.78
38	759 015	1	SHROUD ASSEMBLY	79		2	SCREW, SET 5/16-18 x 1/2
39	030 206	1	DECAL, "ADVANCE"	80	759 010	1	BELT GUARD MOUNT
40	030 212	1	DECAL, RIGHT	81	030 210	1	DECAL, "IMPORTANT" 219
41	759 068	1	TRIM 37.00	82	759 074	1	SCREW, M6 x 1.00 x 40
42		4	LOCKWASHER #10	83	759 076	1	NUT LOCK, M6 x 1.00
43		4	WASHER, FLAT #10				



ITEM	PART NO	QTY	DESCRIPTION
1	761 610	1	WAND ASSEMBLY 4'
2	761 645	1	PLUG, QUICK DISCONNECT
3	750 363	1	BUSHING 3/8 x 1/4 BRASS
4	761 644	1	SPRAY GUN
5	030 164	1	DECAL, SPRAY WAND
6	761 647	1	LANCE, HANDLE
7	761 698	2	STOP, PISTON
8		4	SCREW, SOCKET SET 1/4-20 x 1/4
9	761 600	1	WAND, WELDMENT 4'
10	761 606	1	PISTON
11	761 325	2	O-RING
12	761 323	2	RING, BACK-UP
13	747 056	1	NOZZLE (1508 RED) 1000 PSI
14	761 680	1	NOZZLE (4030 YELLOW) 1000 PSI
15	761 726	1	REPAIR KIT FOR 761 644 SPRAY GUN
			INCLUDES:
16		1	SPRING
17		1	BALL
18		1	SAFETY RING
19		1	STAINLESS SEAT
20		1	O-RING
21		1	O-RING
22		1	ADAPTOR
23	761 728	1	FITTING (FOR REPLACEMENT ONLY)

WAND ASSEMBLY



ITEM	PART NO	QTY	DESCRIPTION	ITEM	PART NO	QTY	DESCRIPTION
1	755 930	4	NUT, HEX (M8)	25	755 952	3	CONNECTING ROD
2	755 931	2	LOCKWASHER (M8)	26	755 554	1	KEY (5MM)
3	755 932	1	DISCHARGE MANIFOLD	27	755 954	1	OIL SEAL
4	755 904	1	DISCHARGE VALVE KIT - QUIET VALVE	28	755 955	1	OIL SEAL CASE
5	755 933	1	HI-PRESSURE PISTON KIT	29	755 956	1	O-RING, FILLER CAP
6	755 903	1	HI-PRESSURE CUP KIT	30	755 957	1	FILLER CAP, OIL
7	755 905	1	PERM-A-LUBE SEAL KIT	31	755 958	1	COVER SEAL, O-SECTION
8	755 935	3	CYLINDER	32	755 959	1	OIL GAUGE
9	755 936	3	SEAL RETAINER	33	755 960	1	CRANKCASE COVER
10	755 937	3	BARRIER SLINGER	34	755 961	6	SCREW, SEMS (M6 x 20) W/WASHERS
11	755 938	3	WASHER	35	755 962	1	O-RING, DRAIN PLUG
12	755 939	3	OIL SEAL	36	755 963	1	DRAIN PLUG
13	755 940	3	SEAL WASHER				
14	755 941	3	PISTON ROD				
15	755 942	3	PISTON PIN				
16	755 943	2	STUD (M8 x 85)				
17	755 944	1	CRANKCASE				
18	755 945	1	INLET MANIFOLD				
19	755 946	8	BOLT, SEMS (M6 x 14) W/WASHERS				
20	755 947	1	COVER, SHAFT CASE				
21	755 948	2	O-RING, OIL SEAL CASE				
22	755 949	1	WASHER, BEARING SHIM				
23	755 950	2	BEARING				
24	755 951	1	CRANKSHAFT				

PUMP ASSEMBLY

