



Electronic Service Manuals

This electronic document is provided as a service to our customers. We do not create the contents of the information contained in this document. Should you have detailed questions pertaining to the information contained in this document, you may contact Michco, or the manufacturer which provided the original information in this electronic deliverable. Michco's only part in this electronic deliverable was the electronic assembly process.

You may contact Michco through the following methods:
Phone (517) 484-9312 or (800) 331-3339 MI, OH, IN only
2011 N. High St. -- Lansing, Michigan -- 48906
Fax: (517) 484-9836
Email: CustServ@Michco.com
Web site: www.Michco.Com
Parts Web site: www.FloorMachineParts.Com

Order Parts on Line at:
www.FloorMachineParts.Com

Directly to Parts & Service:
By Email: **Shop@Michco.com**
By Fax: (517) 702-2041
By Voice: Use numbers above.

Serving the Cleaning Industry Since 1922

Notice: All copyrighted material remains property of original owners, all trademarks are property of respective owners. Manuals are subject to Manufacturer's reproduction limitations. Originals or reproductions were provided by manufacturers through a request. We make no warranty as to the correctness of information provided in this document and you assume all risk.

FOAMATIC

MODEL NO. FA200 115/60

MODEL NO. FA200-5 230/50

FORM NO. 042018

This Parts List Covers all
Foamatics after
Serial No. 719274
AUG. 1, 1979

PARTS LIST



The  **Advance Machine Company**

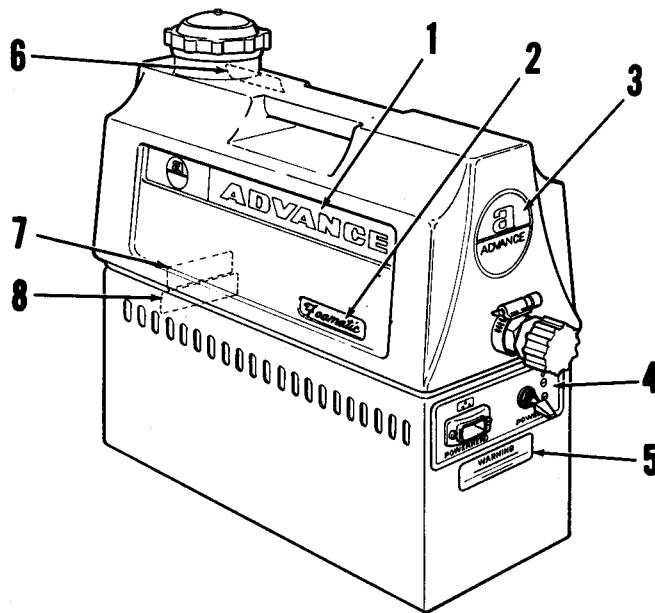
INTERNATIONAL HEADQUARTERS, Spring Park, Minnesota 55384 USA

EUROPE, 4 Rue Jean Engling, Dommeldange, Luxembourg

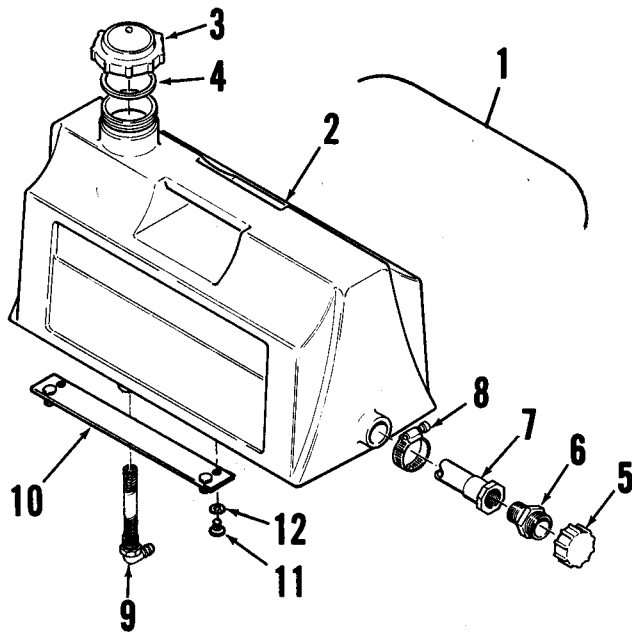
CANADA, 45 Iron Street, Rexdale, Ontario

INDEX FOR FORM NUMBER 042018

<u>Description</u>	<u>Location</u>	<u>Page</u>
Compressor Housing, 115V	B11	4
Compressor Housing, 230V	B13	6
Compressor	B14	7
Power Brush	B9	2
Tank	B8	1



DECAL PLACEMENT

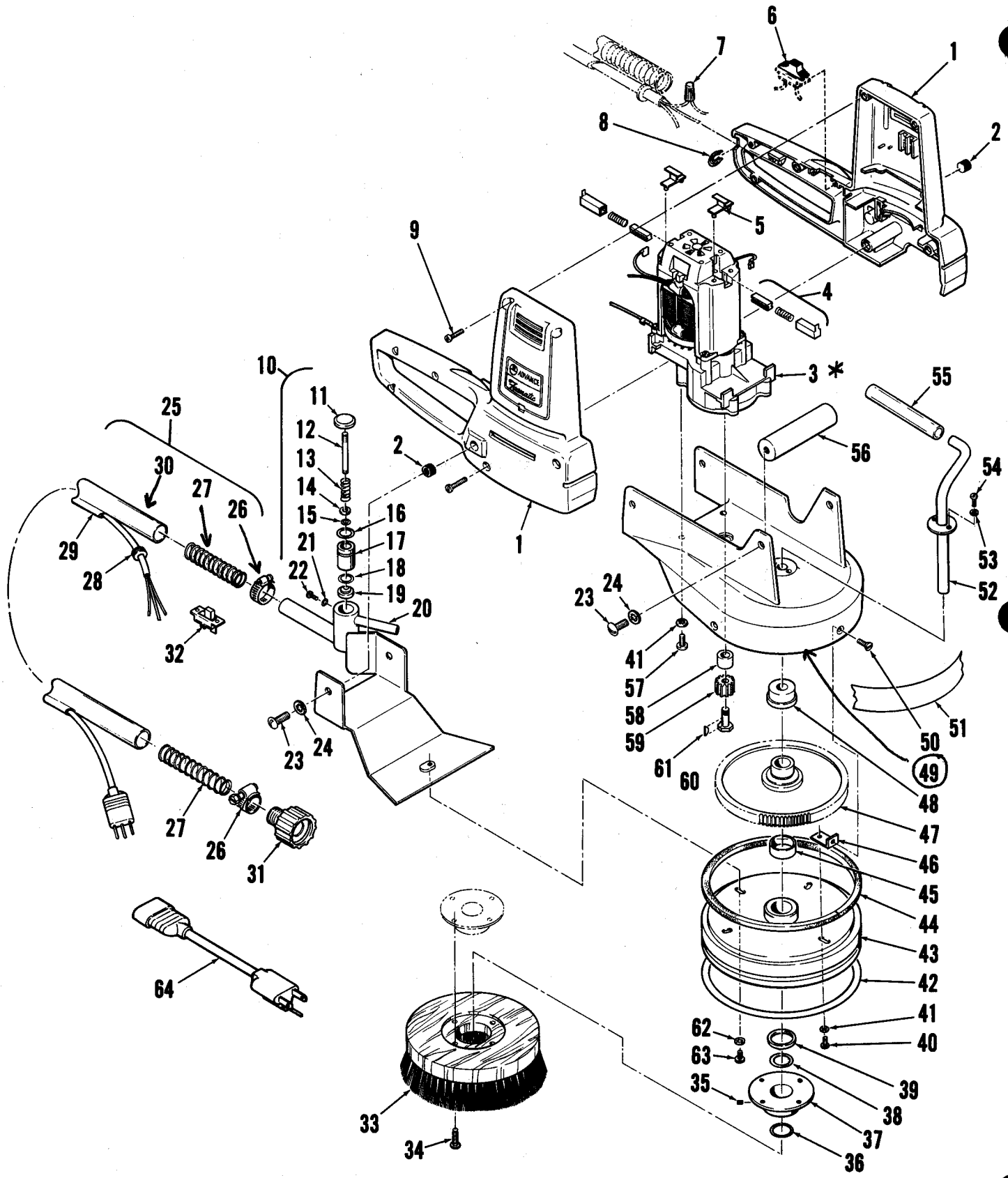


TANK ASSEMBLY

DECAL PLACEMENT

TANK ASSEMBLY

ITEM	PART NO	QTY	DESCRIPTION	ITEM	PART NO	QTY	DESCRIPTION
1	017 050	2	DECAL, Advance	1	254 029	1	TANK ASSEMBLY
2	017 048	2	DECAL, Foamatic	2	254 040	1	TANK, Detergent
3	017 019	2	DECAL, Advance	3	244 863	1	CAP ASSEMBLY, 223
4	017 052	1	DECAL, Power	4	244 979	1	GASKET
5	015 194	1	DECAL, Warning	5	255 076	1	CAP PIPE, GHT
6	015 121	1	DECAL, Instructions	6	244 980	1	ADAPTER, GHTX
7	015 324	1	NAMEPLATE, Advance	7	254 032	1	TUBE ASSEMBLY
8	015 197	1	DECAL, Warning	8	244 969	1	CLAMP, Hose
				9	244 987	1	BUBBLER, FTG.
				10	254 027	2	ADAPTER PLATE
				11		4	SCREW, Pan Hd. #10-32 X 3/8
				12		4	WASHER, Shakeproof #10.
				13	259 500	1	FUNNEL

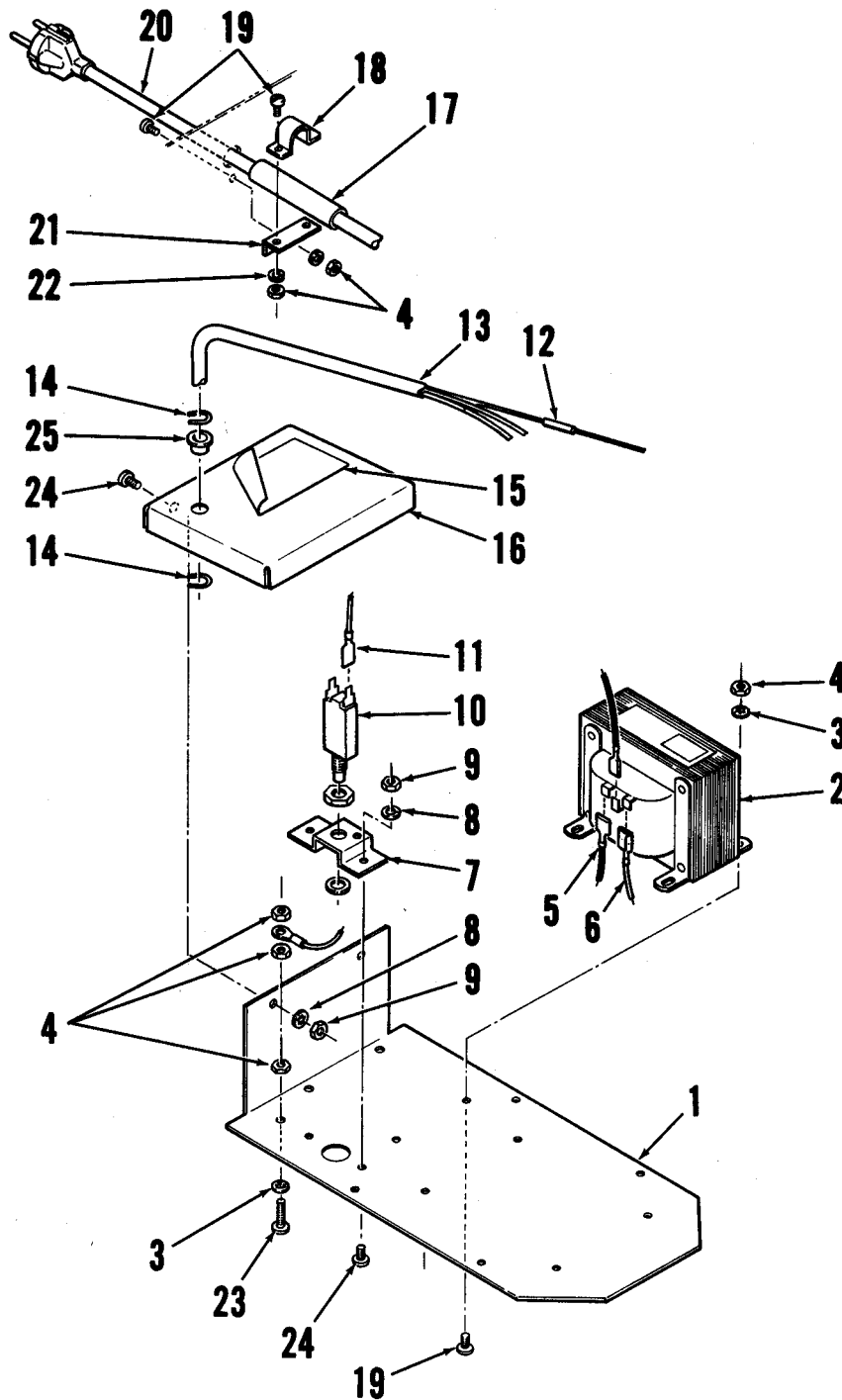


POWER HEAD ASSEMBLY

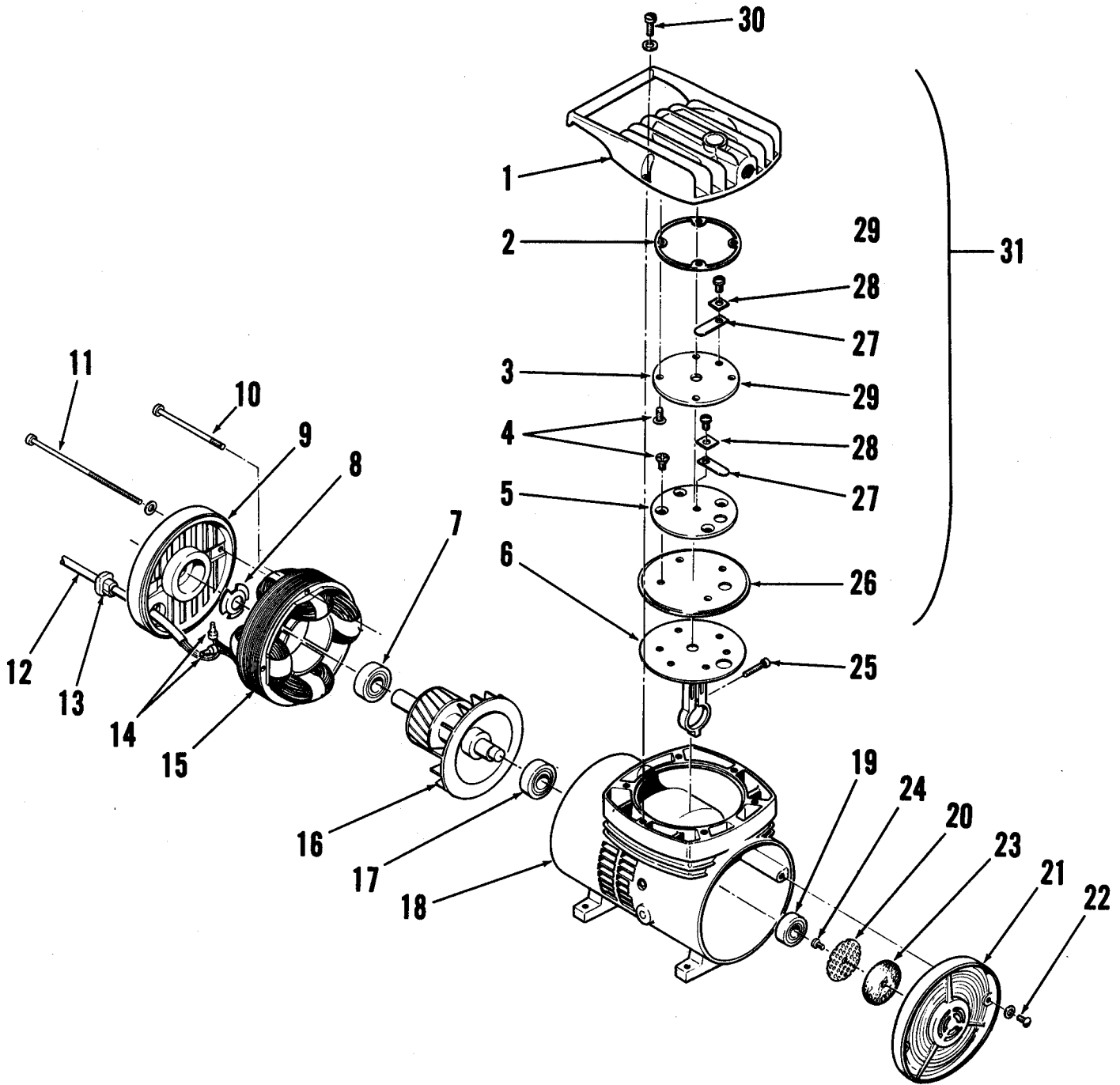
COMPRESSOR ASSEMBLY 115V

ITEM	PART NO	QTY	DESCRIPTION
1	254 031	1	HOUSING, Weldment
2		3	SCREW, 10-24 X 1/2 Pan Hd.
3		3	NUT, Hex 10-24
4		11	WASHER, #10 Shakeproof
5	255 884	4	BUMPER, 1-12 Dia. (Also used on 230V)
6		4	NUT, Hex 1/4-20 (Also used on 230V)
7		4	LOCKWASHER, 1/4 (Also used on 230V)
8	254 088	1	WIRE ASSEMBLY, #14 X 14"
9	245 067	1	RECEPTACLE, 15A
10		2	NUT, Hex 6-32
11		2	SCREW, 6-32 X 3/8 Pan Hd. (Also used on 230V)
12		4	NUT, 10-24
13		2	LOCKWASHER, #6 (Also used on 230V)
14	207 075	1	SWITCH, Toggle DPST
15	300 152	1	CLAMP CORD (Also used on 230V)
16	756 364	2	CLAMP HOSE, SAE #4
17	257 990	1	VALVE RELIEF (Also used on 230V)
18	219 798	1	ELBOW, ST 1/4 (Also used on 230V)
19	218 510	1	VALVE CHECK, 1/4 (Also used on 230V)
20	219 819	1	BARBED INSERT
21	217 867	1	COMPRESSOR, 115/60
	219 215	1	COMPRESSOR, 230/50
22	379 107	1	TUBE, PVC 375 (Also used on 230V)
23	255 866	1	SHIELD, Compressor
24	255 874	4	NUT, Spring #8-32
25		4	SCREW, 8-32 X 3/8 Pan Hd.
26		4	LOCKWASHER, #8
27		4	SCREW, 10-24 X 3/8 Pan Hd.
28	311 229	4	TERMINAL RING, #6
29	163 015	1	STRAIN RELIEF
30	251 550	1	CORD SET, 18/3 X 30 BL
31	325 329	2	TERMINAL RING, #10
32		1	WASHER, 5/8 SAE
<p>THE FOLLOWING PARTS ARE USED ON THE MODEL 230V 50 CYCLE (ITEMS 33 THROUGH 39)</p>			
33		1	SCREW, 8-32 X 3/4 Pan Hd.
34		1	WASHER, Shakeproof #8
35		3	NUT, 8-32 Hex.
36	325 274	1	WASHER, Cupped
37	325 276	1	WASHER, .17 X .38 X .03
38	014 119	1	DECAL, Ground Symbol
39	369 632	1	ELBOW ST. 1/4 X 90 BR

} TSB 519, G-10



ITEM	PART NO	QTY	DESCRIPTION	ITEM	PART NO	QTY	DESCRIPTION
1	254 094	1	SHIELD, Compressor	14	320 358	2	STRAIN RELIEF, .312
2	254 096	1	TRANSFORMER	15	017 064	1	DECAL, Wiring Diagram
3			WASHER, Shakeproof #8	16	254 092	1	COVER
4		16	NUT, 8-32 Hex	17	300 602	1	TUBE, Rubber .375 X 3
5	254 114	1	WIRE ASSEMBLY	18	300 542	1	CLAMP, Cord
6	244 155	1	RECEPTACLE, Tab .250	19		1	SCREW, 8-32 X 3/8 Pan Hd.
7	322 410	1	BRACKET	20	254 120	1	CORD SET
8		10	WASHER, #10 Shakeproof	21	300 540	1	BRACKET
9		4	NUT, 10-24 Hex	22		6	LOCKWASHER, #8
10	290 425	1	BREAKER, Circuit 1.5A	23		3	SCREW, 8-32 X 3/4 Pan Hd.
11	171 490	1	RECEPTACLE, Tab .187	24		8	SCREW, 10-24 X 3/8 Pan Hd.
12	220 590	1	CONNECTOR, Wire	25	327 409	1	BUSHING
13	254 116	1	CORD ASSEMBLY, 18/4 X 32.5				



ITEM	PART NO	QTY	DESCRIPTION	ITEM	PART NO	QTY	DESCRIPTION
1	220 951	1	HEAD	17	220 529	1	BEARING, Ball Housing
2	220 953	1	GASKET	18	220 517	1	HOUSING
3	220 930	1	PLATE, Exhaust Valve	19	220 528	1	BEARING, Connecting Rod
4		8	SCREW, Flat Phillips Hd. 8-32 X 3/8	20	220 516	1	SCREEN
5	220 958	1	PLATE, Intake Valve	21	220 967	1	COVER, Front
6	220 536	1	ROD, Connecting	22		2	SCREW, Rd. Hd. 10-24 X 3/4
7	220 530	1	BEARING, Ball End Cap	23	220 513	1	FILTER
8	220 533	1	LOAD SPRING	24		1	SCREW, Pan Hd. Self Tapping 8-32 X 7/32
9	220 535	1	END CAP	25		1	SCREW, Socket Cap 10-24 X 3/4
10	220 522	2	SCREW	26	220 950	1	DIAPHRAGM
11	220 509	2	SCREW	27	220 955	2	FLAPPER, Valve
12	220 511	1	CORD	28	220 963	2	VALVEKEEPER STRIP
13	163 015	1	STRAIN RELIEF	29		2	SCREW, Rd. Hd. 6-32 X 1/8
14	321 737	2	WIRE NUT	30		6	SCREW, Fillister Hd. 10-24 X 1/2
15	220 518	1	STATOR, 115V (60 Cycle)	31	217 867	1	COMPRESSOR ASSEMBLY, 115V (60 Cycle)
	220 519	1	STATOR, 230V (50 Cycle)		219 215	1	COMPRESSOR ASSEMBLY, 230V (50 Cycle)
16	220 534	1	SHAFT & ROTOR ASSEMBLY				

COMPRESSOR