



Electronic Service Manuals

This electronic document is provided as a service to our customers. We do not create the contents of the information contained in this document. Should you have detailed questions pertaining to the information contained in this document, you may contact Michco, or the manufacturer which provided the original information in this electronic deliverable. Michco's only part in this electronic deliverable was the electronic assembly process.

You may contact Michco through the following methods:
Phone (517) 484-9312 or (800) 331-3339 MI, OH, IN only
2011 N. High St. -- Lansing, Michigan -- 48906
Fax: (517) 484-9836
Email: CustServ@Michco.com
Web site: www.Michco.Com
Parts Web site: www.FloorMachineParts.Com

Order Parts on Line at:
www.FloorMachineParts.Com

Directly to Parts & Service:
By Email: **Shop@Michco.com**
By Fax: (517) 702-2041
By Voice: Use numbers above.

Serving the Cleaning Industry Since 1922

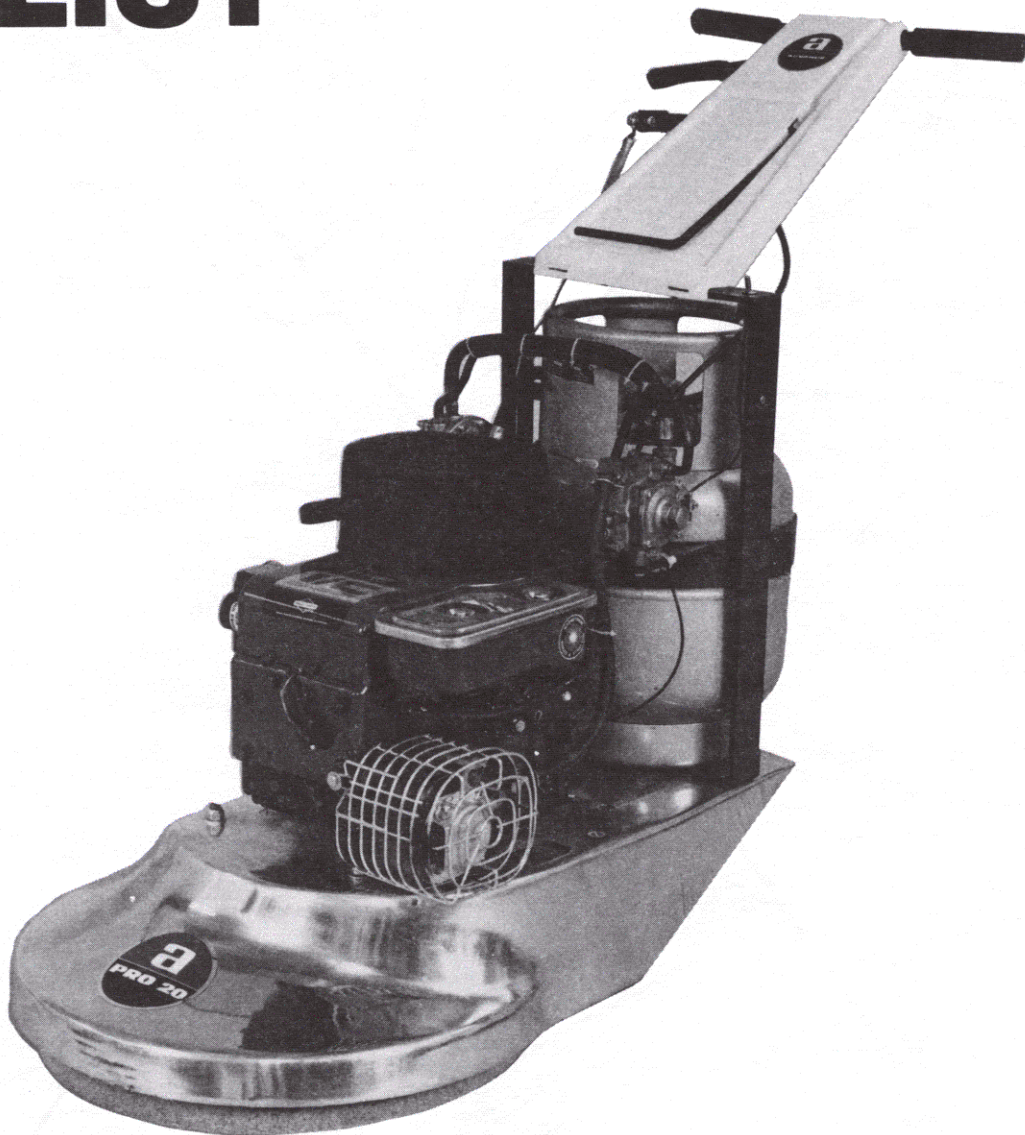
Notice: All copyrighted material remains property of original owners, all trademarks are property of respective owners. Manuals are subject to Manufacturer's reproduction limitations. Originals or reproductions were provided by manufacturers through a request. We make no warranty as to the correctness of information provided in this document and you assume all risk.

WHIRLAMATIC PRO 20

MODEL WP20

THIS PARTS LIST IS FOR MACHINES
AFTER SERIAL NUMBER 152512.

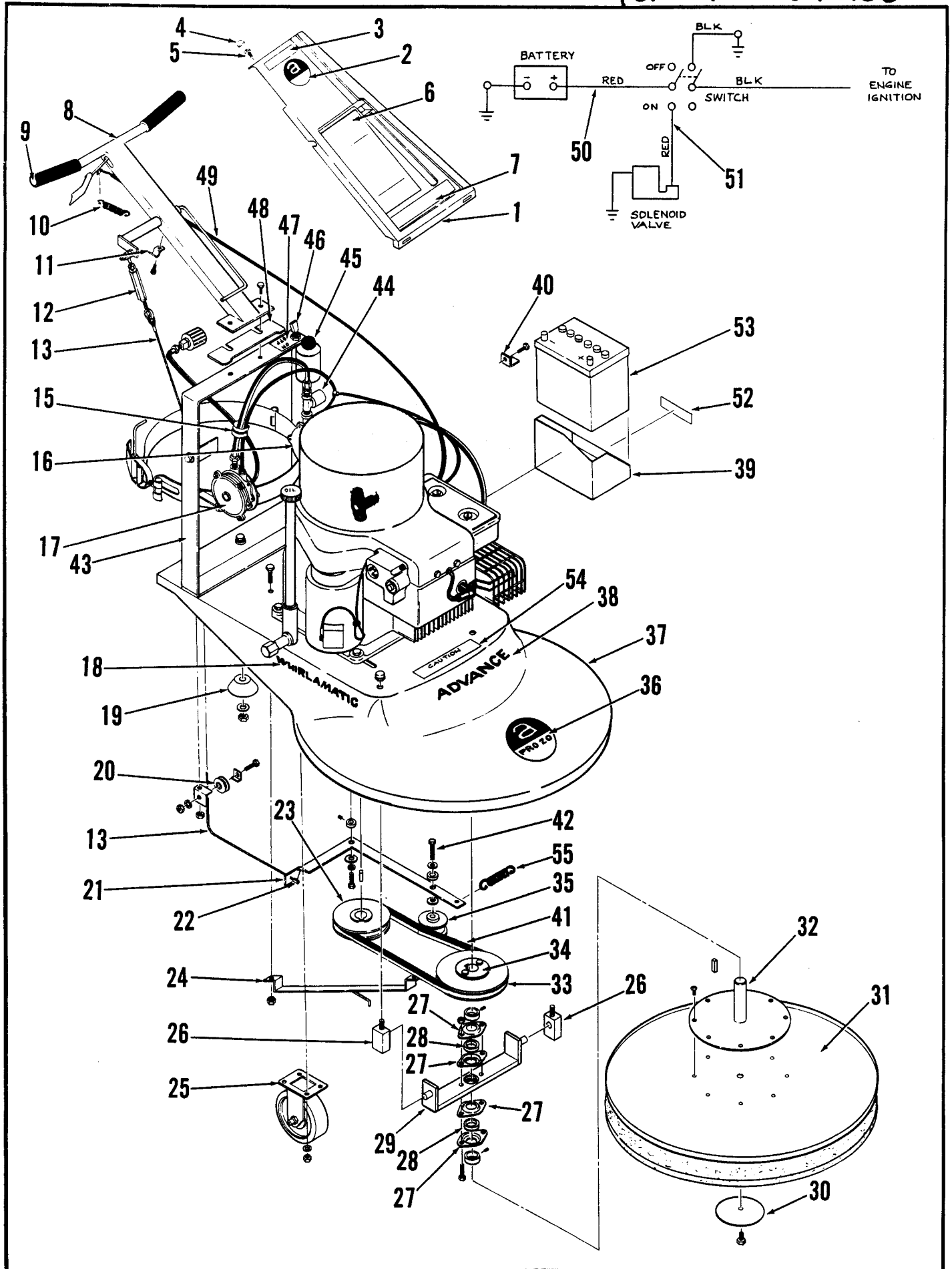
PARTS LIST



ADVANCE
MACHINE COMPANY

INTERNATIONAL HEADQUARTERS, Plymouth, Minnesota 55441-3485
EUROPE, Llantrisant, Pontyclun, Mid-Glamorgan CF7 8YZ, Wales, United Kingdom
CANADA, 1295 Crestlawn Drive, Mississauga, Ontario L4W 1A9





| # | PART NO. | Q | DESCRIPTION |
|----|----------|---|-----------------------|
| 1 | 389910 | 1 | SHROUD |
| 2 | 017019 | 1 | LOGO |
| 3 | 023319 | 1 | CAUTION DECAL |
| 4 | 387190 | 3 | CAP |
| 5 | 002523 | 3 | SCREW |
| 6 | 023317 | 1 | INSTRUCTION DECAL |
| 7 | 023315 | 1 | TANK STORAGE DECAL |
| 8 | 389926 | 1 | HANDLE |
| 9 | 157244 | 2 | PLUG BUTTON |
| 10 | 370355 | 1 | SPRING |
| 11 | 389915 | 1 | CABLE CLAMP |
| 12 | 389979 | 1 | TURNBUCKLE |
| 13 | 389980 | 1 | CABLE |
| 14 | 389996 | 1 | HIGH PRESSURE HOSE |
| 15 | 478246 | 2 | CABLE TIE |
| 16 | 389997 | 1 | REGULATOR |
| 17 | 389998 | 1 | VACUUM SHUTOFF |
| 18 | 023323 | 2 | WHIRLAMATIC DECAL |
| 19 | 389916 | 1 | RUBBER STOP |
| 20 | 389977 | 1 | GUIDE ROLLER |
| 21 | 389920 | 1 | IDLER ARM |
| 22 | 389981 | 2 | CABLE END |
| 23 | 389914 | 1 | MOTOR PULLEY |
| 24 | 389925 | 1 | BELT GUARD |
| 25 | 389924 | 2 | WHEEL |
| 26 | 389960 | 2 | PILLOW BLOCK |
| 27 | 389929 | 4 | STAMPING |
| 28 | 389930 | 2 | FRONT END BEARING |
| 29 | 389933 | 1 | YOKE |
| 30 | 389965 | 1 | PAD WASHER |
| 31 | 389934 | 1 | DRIVE DISC |
| 32 | 389963 | 1 | SHAFT PLATE |
| 33 | 389931 | 1 | FRONT SHEAVE |
| 34 | 389928 | 1 | SHEAVE BUSHING |
| 35 | 389918 | 1 | IDLER PULLEY |
| 36 | 023311 | 1 | PRO 20 DECAL |
| 37 | 389923 | 1 | BODY HOUSING |
| 38 | 030008 | 1 | ADVANCE DECAL |
| 39 | 389912 | 1 | BATTERY BOX |
| 40 | 389913 | 1 | BATTERY CLIP |
| 41 | 389935 | 1 | V-BELT |
| 42 | 389917 | 1 | IDLER ARM BOLT |
| 43 | 389927 | 1 | TANK FRAME |
| 44 | 403582 | 1 | SOLENOID |
| 45 | 389967 | 1 | STARTER BUTTON |
| 46 | 486359 | 1 | TOGGLE SWITCH |
| 47 | 023313 | 1 | ON-OFF DECAL |
| 48 | 389911 | 1 | BRACKET |
| 49 | 389919 | 1 | THROTTLE CABLE |
| 50 | 389952 | 1 | WIRE ASSEMBLY |
| 51 | 389953 | 1 | WIRE ASSEMBLY |
| 52 | 023321 | 1 | BATTERY CHARGER DECAL |
| 53 | 389999 | 1 | 12 VOLT BATTERY |
| 54 | 016106 | 1 | CAUTION DECAL |
| 55 | 389921 | 1 | SPRING |