



Electronic Service Manuals

This electronic document is provided as a service to our customers. We do not create the contents of the information contained in this document. Should you have detailed questions pertaining to the information contained in this document, you may contact Michco, or the manufacturer which provided the original information in this electronic deliverable. Michco's only part in this electronic deliverable was the electronic assembly process.

You may contact Michco through the following methods:
Phone (517) 484-9312 or (800) 331-3339 MI, OH, IN only
2011 N. High St. -- Lansing, Michigan -- 48906
Fax: (517) 484-9836
Email: CustServ@Michco.com
Web site: www.Michco.Com
Parts Web site: www.FloorMachineParts.Com

Order Parts on Line at:
www.FloorMachineParts.Com

Directly to Parts & Service:
By Email: **Shop@Michco.com**
By Fax: (517) 702-2041
By Voice: Use numbers above.

Serving the Cleaning Industry Since 1922

Notice: All copyrighted material remains property of original owners, all trademarks are property of respective owners. Manuals are subject to Manufacturer's reproduction limitations. Originals or reproductions were provided by manufacturers through a request. We make no warranty as to the correctness of information provided in this document and you assume all risk.

WHIRLAMATIC MODEL 1120E, 1120E-5

THIS PARTS LIST IS FOR MODEL
1120E'S AFTER SERIAL NUMBER 047
363 AND MODEL 1120E-5'S AFTER
SERIAL NUMBER 056 135

PARTS LIST



ADVANCE
MACHINE COMPANY

INTERNATIONAL HEADQUARTERS, Spring Park, Minnesota 55384-0275

EUROPE, 4 Rue Jean Engling, L-1466 Luxembourg

CANADA, 1295 Crestlawn Drive, Mississauga, Ontario L4W 1A9

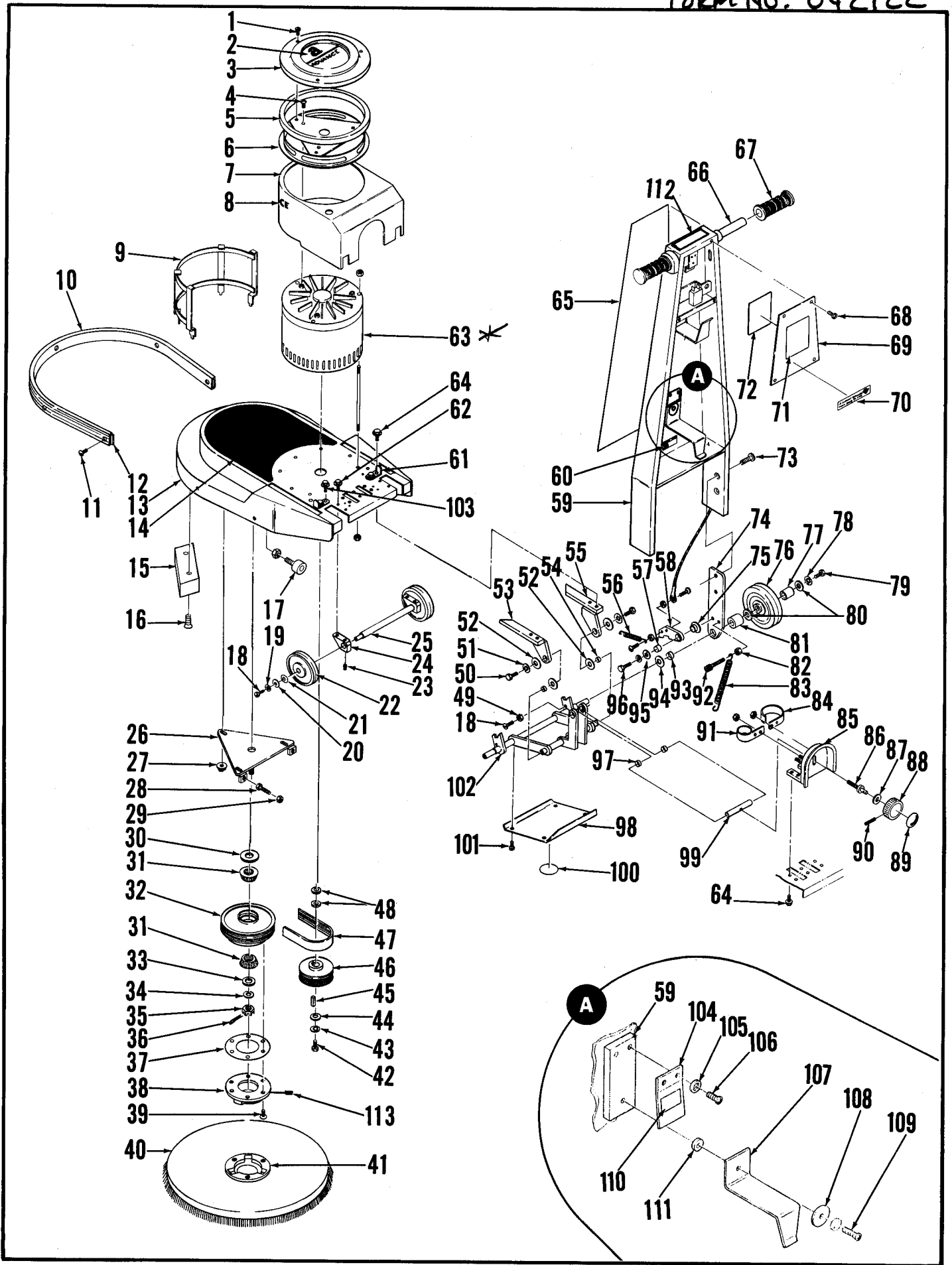
© 1985 Advance Machine Co.

FORM NO. 042 122 3/85



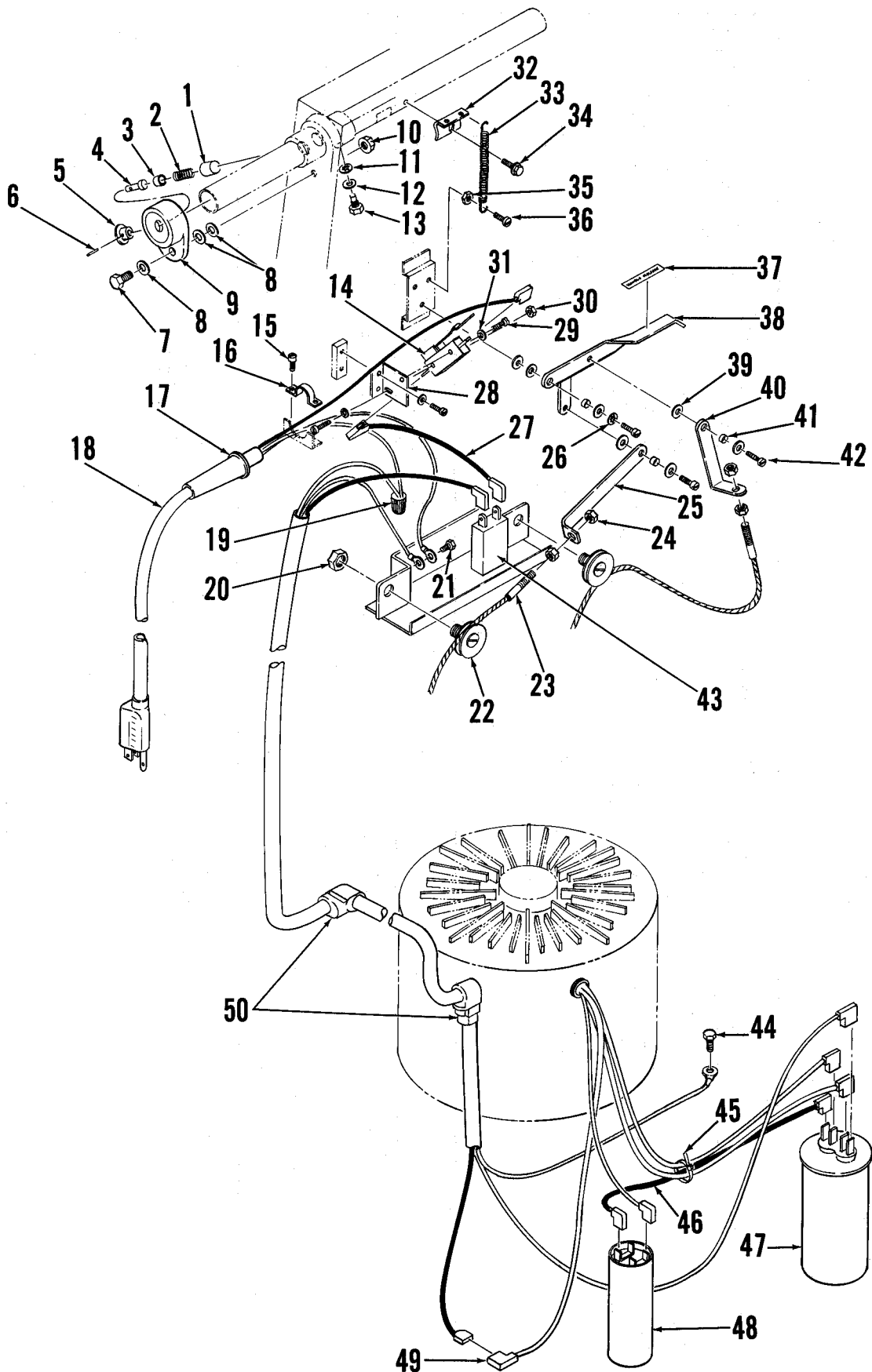
Index for Form Number 042122

Description	Location	page
Base & Handle	E8	1
Wiring Diagram	E10	3



BASE AND HANDLE ASSEMBLY

Item	Part No.	Qty	Description	Item	Part No.	Qty	Description
1	325124	3	#10-24 x 3/8 Screw	58	185231	2	Catch
2	015326	1	Decal, Advance	59	185201	1	Handle
3	185438	1	Shroud Cover	60	015324	1	Nameplate
4		3	5/16-18 x 5/8 Screw	61	185410	5	Clip
5	180032	1	Filter	62		2	#10-24 x 5/8 Screw
6	185430	1	Filter Bracket	63	185022	1	Motor 115V REF TSB #550
7	185426	1	Shroud		185027	1	Motor 230V
8	014944	1	Decal, Advance	64		14	1/4-20 x 5/8 Screw
9	185436	1	Shroud Support	65	018500	1	Decal, Handle
10	185146	1	Bumper	66	185222	1	Handle Tube
11		5	#10-24 x 3/8 Screw	67	388545	2	Handle Grip
12	185149	1	Bumper Strap	68		4	#8-32 x 3/8 Screw
13	018503	1	Decal, Base	69	185225	1	Plate, Cover
14	185101	1	Base	70	018509	1	Decal, Circuit Breaker
15	185154	2	Weight	71	014828	1	Decal, Warning
16		4	1/2-20 x 1/2 Screw	72	018512	1	Decal, Wiring
17	386316	4	Stop, Bumper	73		4	5/16-18 x 5/8 Screw
18		6	#10-24 x 5/8 Screw	74	185230	1	Plate
19		2	#10 Shakeproof Washer	75	185263	2	Flange Bearing
20	180092	2	Washer	76	185158	2	Wheel
21	163767	2	Washer	77	185156	2	Sleeve
22	228102	2	Wheel	78		2	Shakeproof Washer
23		2	1/4-20 x 3/8 Set Screw	79		2	3/8-16 x 2 Screw
24	185334	2	Pillow Block	80	385358	4	Washer
25	185328	1	Axle	81	449228	2	Locking Collar
26	185041	1	Plate	82		2	5/16-18 Nut
27		3	5/16-18 Nut	83	382000	4	Spring
28		2	1/4-20 x 1-1/4 Screw	84	185458	1	Capacitor Clamp 115V
29		2	1/4-20 Nut		185450	1	Capacitor Clamp 230V
30	171078	1	Shaft Seal	85	185413	1	Bracket
31	378267	2	Bearing	86	185331	1	Adjustment Shaft
32	171363	1	Pulley	87	151041	1	Spring Washer
33	163449	1	Washer	88	475480	1	Knob
34		1	9/16 Washer	89	018506	1	Decal, Pad Pressure
35	158313	1	9/16-18 Slotted Nut	90		1	#10-24 x 1/2 Set Screw
36		1	Cotter Key	91	185428	1	Capacitor Clamp
37	158257	1	Gasket	92		2	5/16-18 x 1-1/2 Screw
38	185059	1	Drive Cap	93	478781	2	Sleeve Bearing
39		6	#12-24 x 5/8 Screw	94		2	5/8 Washer
40	171340	1	Pad Holder 20"	95	152781	2	Washer
41	163341	1	Clutch Plate	96		2	5/16-18 x 5/8 Screw
42		1	5/16-24 x 5/8 Screw	97	370878	2	Sleeve Bearing
43		3	5/16 Shakeproof Washer	98	185346	1	Cover Plate
44	180200	1	Washer	99	185337	1	Shaft
45	158135	1	Key	100	030080	2	Decal, Hands Clear
46	185442	1	Sheave 115V	101		4	#10-24 x 1/4 Screw
	185444	1	Sheave 230V	102	185352	1	Axle
47	759066	1	Belt 115V	103		2	#10-24 x 5/8 Screw
	185065	1	Belt 230V	104	387680	1	Spring
48	362883	2	Spring Washer	105		2	#10 Shakeproof Washer
49		12	#10-24 Nut	106		2	#10-24 x 1/4 Screw
50		2	1/4-20 x 1 Screw	107	185267	1	Cord Hook
51		2	1/4 Shakeproof Washer	108	387684	1	Washer
52		4	1/4 Washer	109		1	#10-24 x 1/2 Screw
53	185322	1	Left Bracket	110	018336	1	Decal, Cord Hook
54	366633	2	Sleeve Bearing	111	387678	1	Bushing
55	185325	1	Right Bracket	112	014924	1	Decal, Warning
56	328790	2	Spring	113	185061	3	Set Screw
57	320595	2	Bushing				



WIRING & RELATED COMPONENTS

ITEM	PART NO.	QTY.	DESCRIPTION
1	172 201	1	BUSHING
2	201 448	1	SPRING
3	172 266	1	PLUNGER
4	172 217	1	PIN
5	201 405	1	KNOB
6	201 472	1	PIN, SPRING
7		1	SCREW, 1/4-20 X 5/8
8		3	WASHER, FLAT 1/4
9	172 209	1	COLLAR
10		1	WHIZ NUT, 1/4-20
11		1	WASHER, SHAKEPROOF
12		1	WASHER, FLAT 5/16
13	234 079	1	SCREW
14	388 019	1	SWITCH
15		4	SCREW, #8-32 X 5/8
16		1	CLAMP, STRAIN RELIEF
17	162 736	1	STRAIN RELIEF (115V)
18	330 871	1	CORD SET 115V
19	321 737	1	WIRE NUT (115V)
20		2	NUT, HEX 7/16-14
21		2	SCREW, #10-24 X 1/2
22	159 749	2	PULLEY, IDLER
23	384 909	2	WIRE ROPE ASSEMBLY
24		4	NUT, HEX 1/4-20
25	185 234	1	LINK, CABLE
26		1	WASHER, SHAKEPROOF
27	330 876	2	WIRE ASSEMBLY
28	185 249	1	PLATE, SWITCH
29		2	SCREW, #4-40 X 7/8
30		1	NUT, HEX #4
31		2	WASHER, FLAT #4
31		2	WASHER, FLAT #4
32	395 364	1	TAB, SPRING MOUNTING
33	445 177	2	SPRING
34		1	SCREW, #8-32 X 1/2
35		2	NUT, HEX #10-24
36		2	SCREW, #10-24 X 3/4
37	014 856	1	DECAL, HANDLE LEVER
38	185 240	1	LEVER, HANDLE
39		7	WASHER, FLAT #10
40	185 237	1	LINK, CABLE
41	151 092	3	SPACER
42		3	SCREW #10-24 X 3/4
43	454 538	1	CIRCUIT BREAKER 115V
	387 316	1	CIRCUIT BREAKER 230V
44		2	SCREW, #10-24 X 1/2
45	478 246	2	CABLE TIE
46	330 876	2	WIRE ASSEMBLY
47	185 418	1	CAPACITOR (230V)
	168 440	1	CAPACITOR (115V)
48	185 424	1	CAPACITOR (230V)
	185 446	1	CAPACITOR (115V)
49	244 827	1	FLAG RECEPTACLE
50	185 504	2	STRAIN RELIEF