



Electronic Service Manuals

This electronic document is provided as a service to our customers. We do not create the contents of the information contained in this document. Should you have detailed questions pertaining to the information contained in this document, you may contact Michco, or the manufacturer which provided the original information in this electronic deliverable. Michco's only part in this electronic deliverable was the electronic assembly process.

You may contact Michco through the following methods:
Phone (517) 484-9312 or (800) 331-3339 MI, OH, IN only
2011 N. High St. -- Lansing, Michigan -- 48906
Fax: (517) 484-9836
Email: CustServ@Michco.com
Web site: www.Michco.Com
Parts Web site: www.FloorMachineParts.Com

Order Parts on Line at:
www.FloorMachineParts.Com

Directly to Parts & Service:
By Email: **Shop@Michco.com**
By Fax: (517) 702-2041
By Voice: Use numbers above.

Serving the Cleaning Industry Since 1922

Notice: All copyrighted material remains property of original owners, all trademarks are property of respective owners. Manuals are subject to Manufacturer's reproduction limitations. Originals or reproductions were provided by manufacturers through a request. We make no warranty as to the correctness of information provided in this document and you assume all risk.

PARTS LIST

MATADOR

**MODEL M17
M17S
M17-5
M17S-5
M20
M20S
M20-5
M20S-5**

FORM NO. 042 052

May 1981



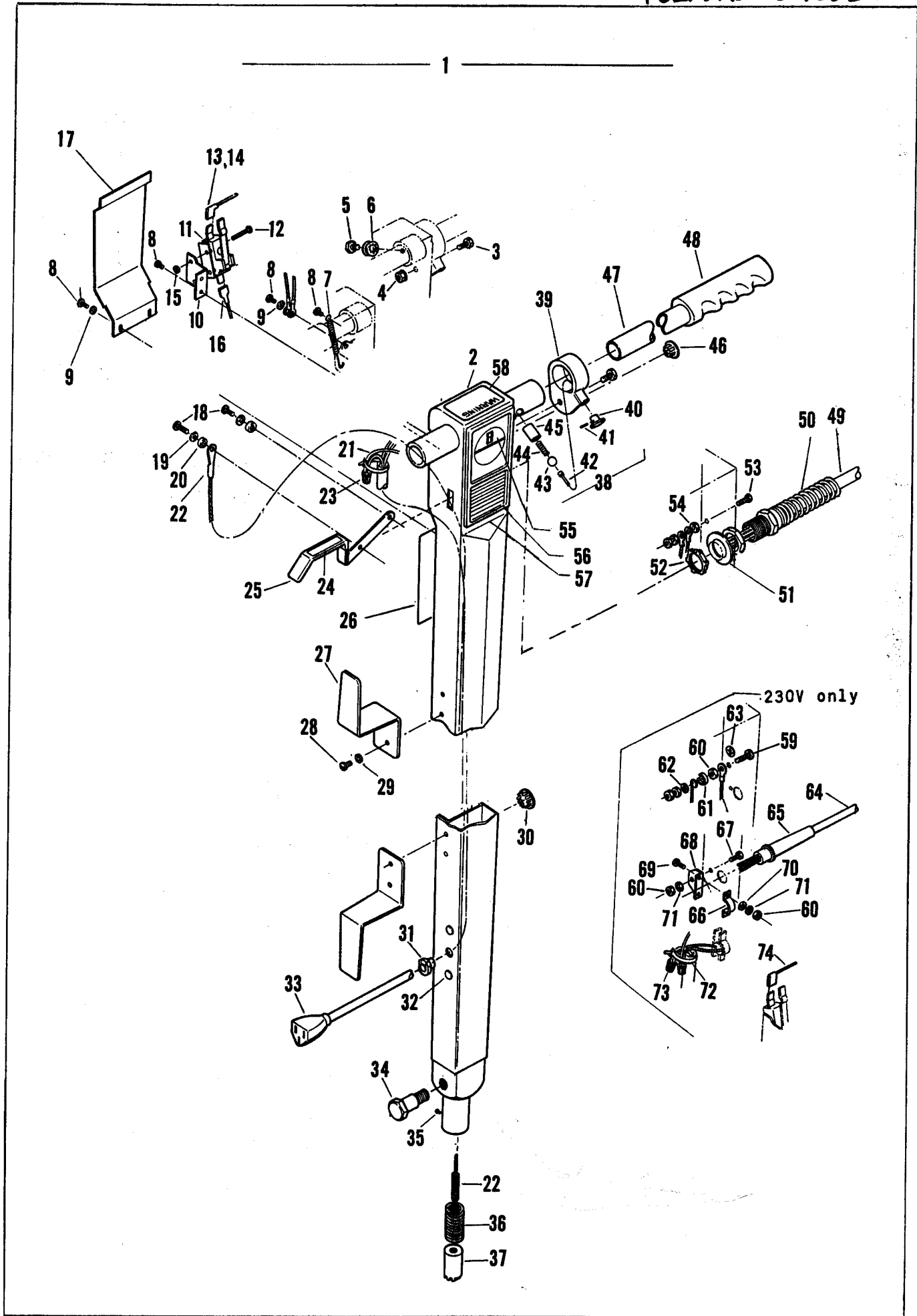
ADVANCE
MACHINE COMPANY

INTERNATIONAL HEADQUARTERS, Spring Park, Minnesota 55384 USA
EUROPE, 4 Rue Jean Engling, 1466 Luxembourg
CANADA, 45 Iron Street, Rexdale, Ontario



Index for Form Number 042052

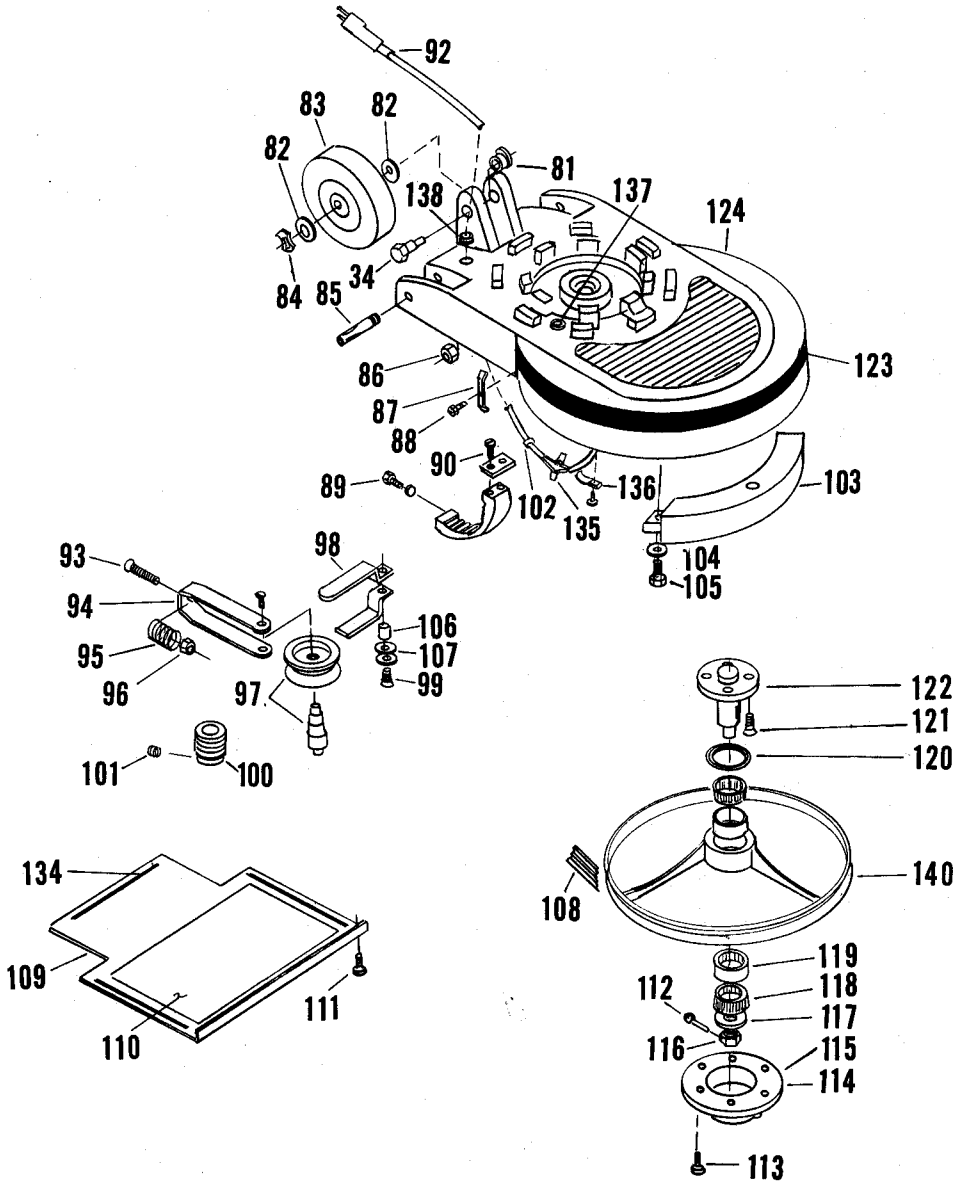
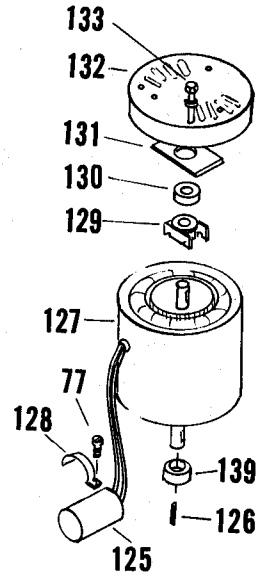
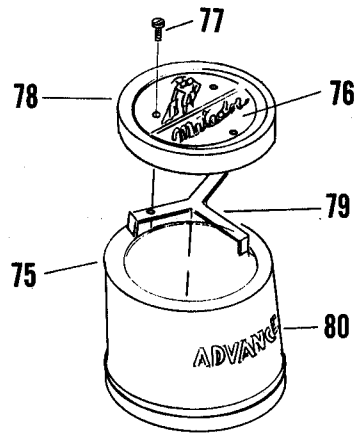
Description	Location	page
Base	C1	3
Handle	B12	1
Wiring Diagram	C3	5



HANDLE ASSEMBLY

Form No. 04205Z

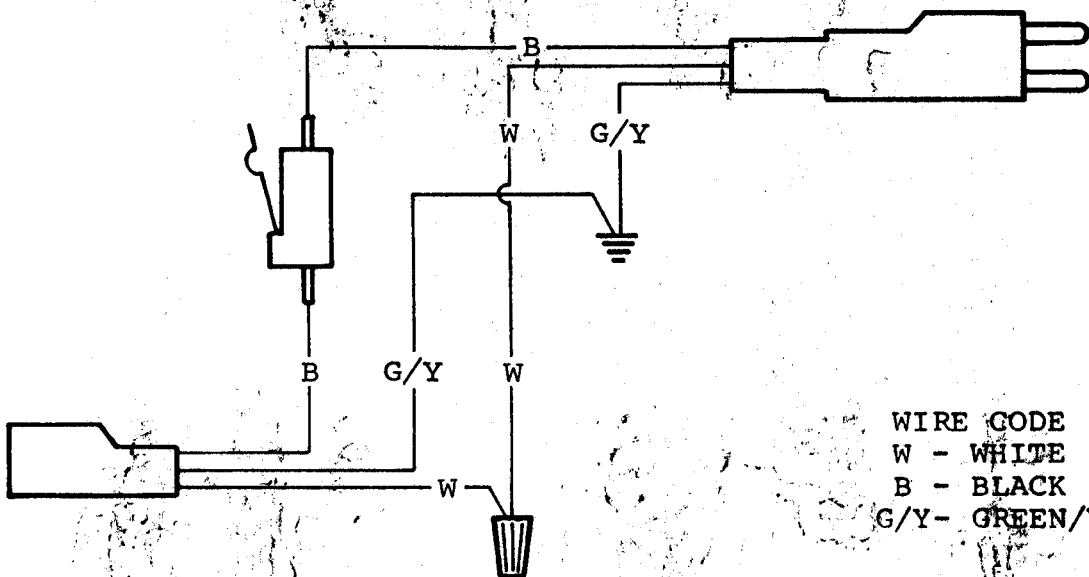
ITEM	PART NO		DESCRIPTION
1	171 275	1	HANDLE ASS'Y., 115V
	171 430	1	HANDLE ASS'Y., 230V
2	172 258	1	HANDLE WELDMENT
3		1	SCREW, 1/4-20 X .50 Hex Hd
4		1	NUT, 1/4-20 Whiz
5	234 079	1	SCREW
6		2	WASHER, Shakeproof 5/16"
7	445 177	1	SPRING
8		5	SCREW, #8-32 X.25 Pan Hd.
9		2	WASHER, Shakeproof #8
10	171 209	1	BRACKET
11	171 225	1	SWITCH
12		2	SCREW, #4-40 X.875 Pan Hd.
13	321 311	1	TAB, Receptacle
14	321 338	1	INSULATOR
15		2	NUT, #4-40 Hex
16	171 184	1	INSULATOR FLAG
17	172 262	1	COVER
18		2	SCREW, #10-24 X.375 Pan Hd
19	150 150	1	WASHER, Bowed
20	151 092	2	SPACER
21	478 246	1	TIE, Cable
22	171 099	1	CABLE ASS'Y.
23	321 737	1	NUT, Wire
24	014 856	1	DECAL, Handle
25	171 126	1	LEVER
26	014 828	1	DECAL, Warning
27	172 213	2	HOOK, Cord
28		4	SCREW, #10-32 X.375 Pan Hd.
29		4	WASHER, Shakeproof #10
30	157 244	1	PLUG BUTTON, .656
31	382 817	1	STRAIN RELIEF
32	153 699	3	PLUG BUTTON
33	171 128	1	CORD SET, 115V & 230V
34	171 097	2	BOLT, Pivot
35		1	SCREW, Drive #4 X .25
36	171 123	1	SPRING
37	171 132	1	PLUNGER
38	172 219	1	SAFETY LOCK ASS'Y., Incls: Item 39-45
39	172 215	1	COLLAR ASS'Y.
40	172 209	1	COLLAR
41	201 405	1	KNOB
42	201 472	1	PIN, Spring
43	745 866	1	BALL
44	578 222	1	SPRING, Compression
45	172 201	1	BUSHING
46	153 648	1	PLUG BUTTON
47	172 198	1	TUBE, Handle
48	514 085	2	GRIP, Handle
49	524 069	1	CORD SET, 115V
50	109 630	1	STRAIN RELIEF
51	171 093	1	WASHER
52	171 094	1	NUT, Hex
53		1	SCREW, #8-32 X.625 Pan Hd.
54		3	NUT, #8-32 Hex
55	014 600	1	DECAL, Advance
56	014 853	1	DECAL
57	014 598	1	DECAL, Plate
58	014 924	1	DECAL, Warning
59		1	SCREW, #8-32 X.625 Pan Hd. 230V
60		6	NUT, #8-32 Hex 230V
61	325 274	1	WASHER, Cupped 230V
62	325 276	1	WASHER, 230V
63	014 119	1	DECAL, Ground 230V
64	300 227	1	CORD SET, 230V
65	301 396	1	STRAIN RELIEF, 230V
66	300 542	1	CLAMP, Strain Relief 230V
67		1	SCREW, #8-32 X.375 Pan Hd. 230V
68	171 434	1	BRACKET, 230V
69		2	SCREW, #8-32 X.625 Pan Hd. 230V
70		5	WASHER, Shakeproof 230V
71		2	WASHER, Flat #8
72	478 246	1	TIE, Cable 230V
73	321 737	1	NUT, Wire 230V
74	171 432	1	WIRE ASS'Y., 230V



BASE ASSEMBLY

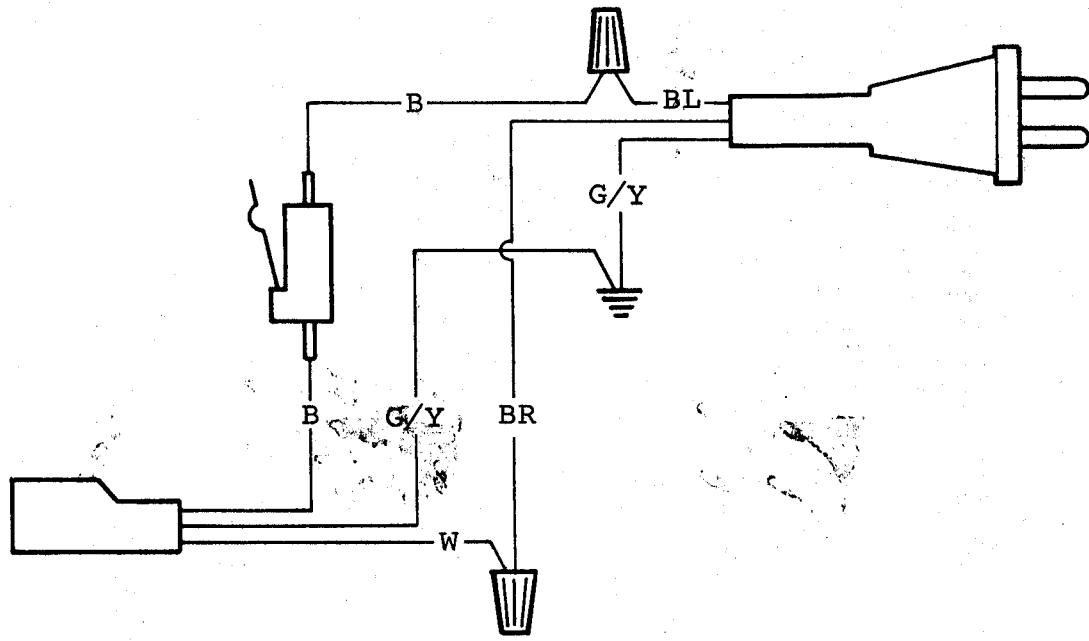
FORM NO. 042052

ITEM	PART NO	QTY	DESCRIPTION	ITEM	PART NO	QTY	DESCRIPTION
75	171 259	1	SHROUD w/Decal 17"	140	171 376	1	PULLEY ASS'Y.
	171 165	1	SHROUD w/Decal 20", Super 17"				
	171 168	1	SHROUD w/Decal, Super 20"				
76	014 854	1	DECAL, Matador				
77		3	SCREW, #10-32 X.50 Pan Hd.				
78	171 156	1	SPINNING				
79	171 161	1	CLAMP, Shroud				
80	014 858	1	DECAL, Advance				
81	171 095	2	BEARING, Sleeve				
82	155 411	4	WASHER				
83	161 691	2	WHEEL, 5.00 X1.25				
84	155 373	2	WASHER, Bowed				
85	520 845	2	AXLE				
86		2	NUT, 3/8-16 Hex				
87	171 108	2	CLAMP, Bumper				
88		2	SCREW, #10-32 X .75 Flat Hd.				
89		3	SCREW, 1/4-20 X.625 Hex Hd.				
90		2	SCREW, 1/4-20 X.75 Pan Hd.				
91	171 104	1	RATCHET, Casting				
92	171 129	1	CORD SET, 14/3 X.59 Male Plug				
93		1	SCREW, 1/4-20 X 3.00				
94	171 174	1	BRACKET				
95	171 177	1	SPRING				
96		1	NUT, Whiz				
97	171 178	1	IDLER ASS'Y.				
98	171 176	2	BRACKET, Idler				
99		2	SCREW, #10-24 X .375 Flat Hd.				
100	171 088	1	SHEAVE, 115V				
	171 414	1	SHEAVE, 230V				
101		2	SCREW, 1/4-20 X.25 Socket Set				
102	168 744	1	GROMMET				
103	171 060	1	WEIGHT, Casting 17"				
	171 050	1	WEIGHT, Casting 20"				
104		3	WASHER, Spring Lock 5/16"				
105		3	SCREW, 5/16-18 X 1.25 Hex Hd.				
106	206 784	1	BUSHING				
107		2	WASHER, SAE 1/4"				
108	171 200	1	BELT, Poly-V				
109	171 092	1	COVER, 17"				
	171 121	1	COVER, 20"				
110	014 064	1	DECAL, Instruction				
111		4	SCREW, #6-32 X.25 Pan Hd.				
112		1	COTTER PIN, 1/16 X 1.00				
113		6	SCREW, #12-24 X .625 Flat Hd.				
114	163 430	1	DRIVE CAP, Casting				
115	158 275	1	GASKET				
116	158 313	1	NUT, Slotted 9/16"				
117	163 449	1	WASHER				
118	378 267	2	BEARING, Cone				
119	378 259	2	BEARING, Cup				
120	171 078	1	SEAL, Shaft				
121		4	SCREW, 1/4-30 X.625 Flat Hd. Socket				
122	171 056	1	STUD, Shaft				
123	514 070	1	BUMPER, 17"				
	514 065	1	BUMPER, 20"				
124	177 077	1	SKIRT HOUSING w/Bumper 17"				
	171 087	1	SKIRT HOUSING w/Bumper 20"				
125	171 160	1	CAPACITOR				
126	443 719	1	KEY, Square				
127	171 136	1	MOTOR, 3/4 H.P 115V/60Hz. 17"				
	171 140	1	MOTOR, 1 H.P 115V/60Hz. Super 17", 20"				
	171 141	1	MOTOR, 1 H.P 230V/50Hz. Super 17-5				
	171 164	1	MOTOR, 1 1/2 H.P 115V/60Hz. Super 20"				
	171 167	1	MOTOR, 1 1/2 H.P 230V/50Hz. Super 20-5				
128	171 146	1	CLAMP				
129	524 892	1	SWITCH, Centrifugal 115V/60Hz.				
	524 885	1	SWITCH, Centrifugal 230V/50Hz.				
130	372 773	1	BEARING, Ball				
131	171 228	1	SWITCH, Stationary 115V/60Hz.				
132	171 234	1	END BELL				
133	171 232	4	THRU'BOLTS, 3/4 H.P				
	171 230	4	THRU'BOLTS, 1 H.P				
	171 166	4	THRU'BOLTS, 1 1/2 H.P				
134	320 099	1	GASKET, 1/8 X 38				
135	321 737	2	CONNECTOR, Wire				
136	300 152	1	CLAMP, Cord				
137	382 818	1	STRAIN RELIEF				
138	320 358	1	STRAIN RELIEF				
139	154 091	1	BEARING, Ball				



WIRE CODE
W - WHITE
B - BLACK
G/Y - GREEN/YELLOW

115V WIRING DIAGRAM



230V WIRING DIAGRAM

WIRING DIAGRAM