



Electronic Service Manuals

This electronic document is provided as a service to our customers. We do not create the contents of the information contained in this document. Should you have detailed questions pertaining to the information contained in this document, you may contact Michco, or the manufacturer which provided the original information in this electronic deliverable. Michco's only part in this electronic deliverable was the electronic assembly process.

You may contact Michco through the following methods:
Phone (517) 484-9312 or (800) 331-3339 MI, OH, IN only
2011 N. High St. -- Lansing, Michigan -- 48906
Fax: (517) 484-9836
Email: CustServ@Michco.com
Web site: www.Michco.Com
Parts Web site: www.FloorMachineParts.Com

Order Parts on Line at:
www.FloorMachineParts.Com

Directly to Parts & Service:
By Email: **Shop@Michco.com**
By Fax: (517) 702-2041
By Voice: Use numbers above.

Serving the Cleaning Industry Since 1922

Notice: All copyrighted material remains property of original owners, all trademarks are property of respective owners. Manuals are subject to Manufacturer's reproduction limitations. Originals or reproductions were provided by manufacturers through a request. We make no warranty as to the correctness of information provided in this document and you assume all risk.

MATADOR HIGH SPEED

PARTS LIST

MODEL M17HS

M17-5HS

M20HS

M20-5HS

FORM NO. 042 053

MARCH 1981

Parts List covers all Models
after Serial # 831543 (115V)
Serial # 823553 (230V)



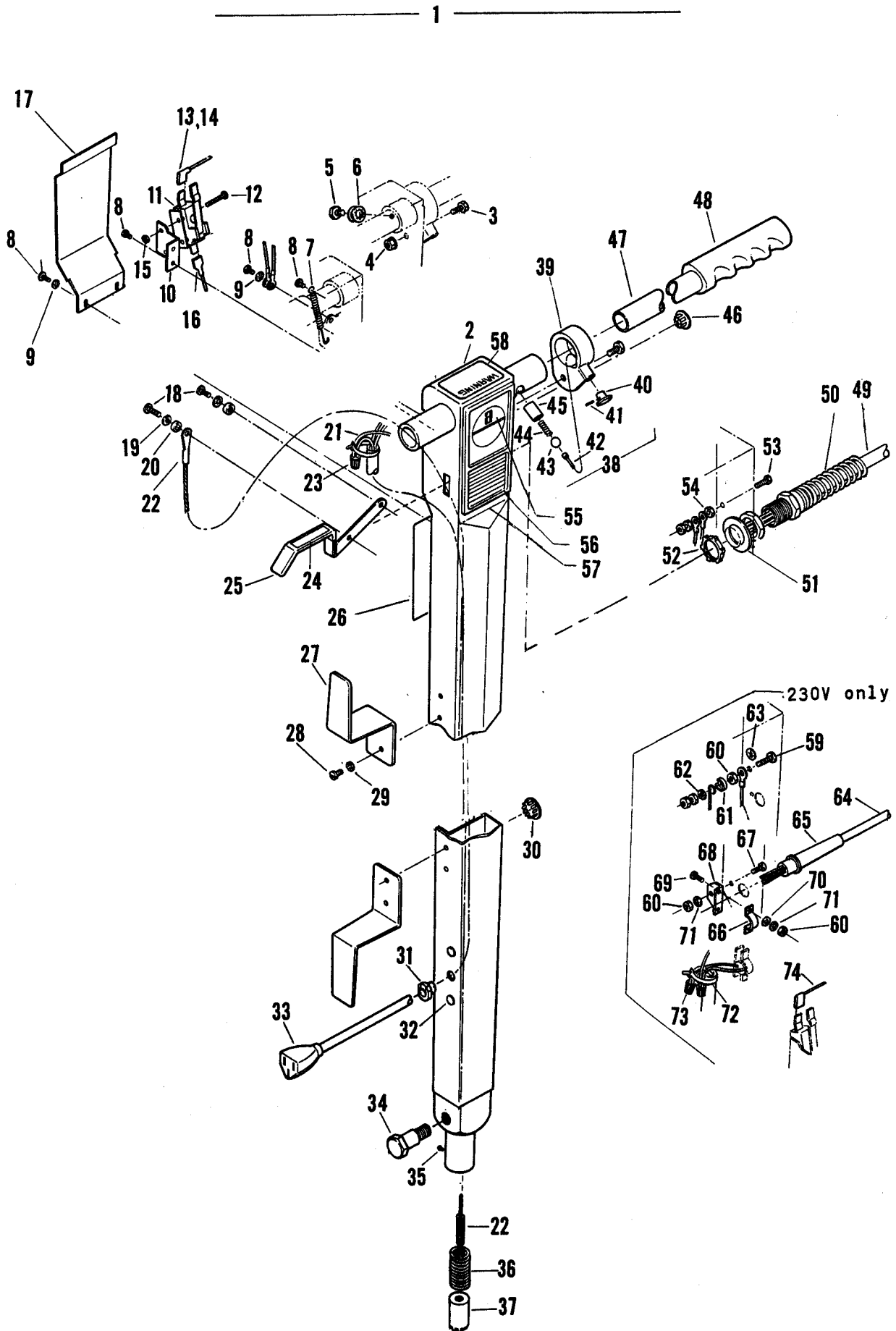
ADVANCE
MACHINE COMPANY

INTERNATIONAL HEADQUARTERS, Spring Park, Minnesota 55384 USA
EUROPE, 4 Rue Jean Engling, 1466 Luxembourg
CANADA, 45 Iron Street, Rexdale, Ontario



Index for Form Number 042053

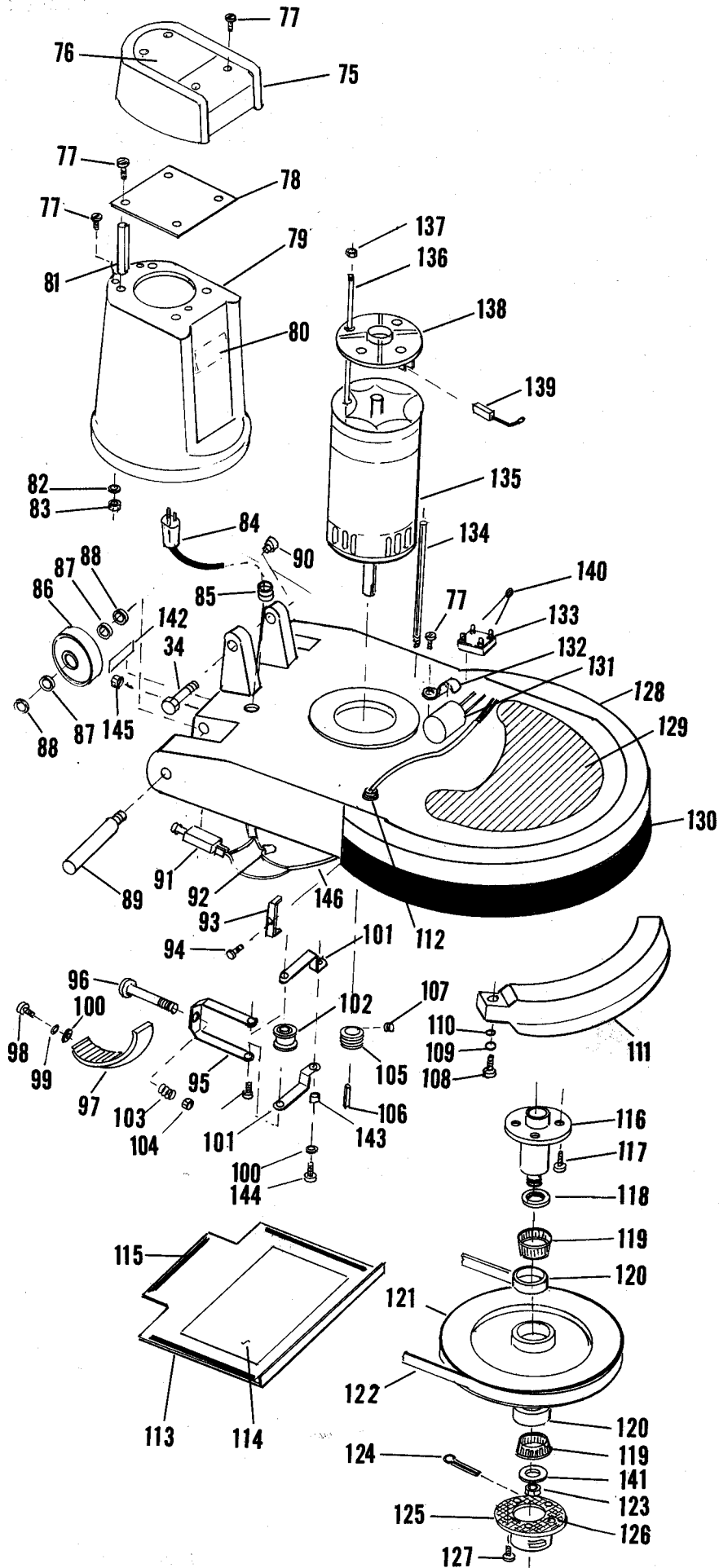
Description	Location	page
Base	D1	3
Handle	C13	1
Wiring Diagram	D3	5



HANDLE ASSEMBLY

Form No. 042053

ITEM	PART NO		DESCRIPTION
1	171 275	1	HANDLE ASS'Y., 115V
	171 430	1	HANDLE ASS'Y., 230V
2	172 258	1	HANDLE WELDMENT
3		1	SCREW, 1/4-20 X .50 Hex Hd
4		1	NUT, 1/4-20 Whiz
5	234 079	1	SCREW
6		2	WASHER, Shakeproof 5/16"
7	445 177	1	SPRING
8		5	SCREW, #8-32 X.25 Pan Hd.
9		2	WASHER, Shakeproof #8
10	171 209	1	BRACKET
11	171 225	1	SWITCH
12		2	SCREW, #4-40 X.875 Pan Hd.
13	321 311	1	TAB, Receptacle
14	321 338	1	INSULATOR
15		2	NUT, #4-40 Hex
16	171 184	1	INSULATOR FLAG
17	172 262	1	COVER
18		2	SCREW, #10-24 X.375 Pan Hd
19	150 150	1	WASHER, Bowed
20	151 092	2	SPACER
21	478 246	1	TIE, Cable
22	171 099	1	CABLE ASS'Y.
23	321 737	1	NUT, Wire
24	014 856	1	DECAL, Handle
25	171 126	1	LEVER
26	014 828	1	DECAL, Warning
27	172 213	2	HOOK, Cord
28		4	SCREW, #10-32 X.375 Pan Hd.
29		4	WASHER, Shakeproof #10
30	157 244	1	PLUG BUTTON, .656
31	382 817	1	STRAIN RELIEF
32	153 699	3	PLUG BUTTON
33	171 128	1	CORD SET, 115V & 230V
34	171 097	2	BOLT, Pivot
35		1	SCREW, Drive #4 X .25
36	171 123	1	SPRING
37	171 132	1	PLUNGER
38	172 219	1	SAFETY LOCK ASS'Y., Incls: Item 39-45
39	172 215	1	COLLAR ASS'Y.
40	172 209	1	COLLAR
41	201 405	1	KNOB
42	201 472	1	PIN, Spring
43	745 866	1	BALL
44	578 222	1	SPRING, Compression
45	172 201	1	BUSHING
46	153 648	1	PLUG BUTTON
47	172 198	1	TUBE, Handle
48	514 085	2	GRIP, Handle
49	524 069	1	CORD SET, 155V
50	109 630	1	STRAIN RELIEF
51	171 093	1	WASHER
52	171 094	1	NUT, Hex
53		1	SCREW, #8-32 X.625 Pan Hd.
54		3	NUT, #8-32 Hex
55	014 600	1	DECAL, Advance
56	014 853	1	DECAL
57	014 598	1	DECAL, Plate
58	014 924	1	DECAL, Warning
59		1	SCREW, #8-32 X.625 Pan Hd. 230V
60		6	NUT, #8-32 Hex 230V
61	325 274	1	WASHER, Cupped 230V
62	325 276	1	WASHER, 230V
63	014 119	1	DECAL, Ground 230V
64	300 227	1	CORD SET, 230V
65	301 396	1	STRAIN RELIEF, 230V
66	300 542	1	CLAMP, Strain Relief 230V
67		1	SCREW, #8-32 X.375 Pan Hd. 230V
68	171 434	1	BRACKET, 230V
69		2	SCREW, #8-32 X.625 Pan Hd. 230V
70		5	WASHER, Shakeproof 230V
71		2	WASHER, Flat #8
72	478 246	1	TIE, Cable 230V
73	321 737	1	NUT, Wire 230V
74	171 432	1	WIRE ASS'Y., 230V



BASE ASSEMBLY

Form No. 042053

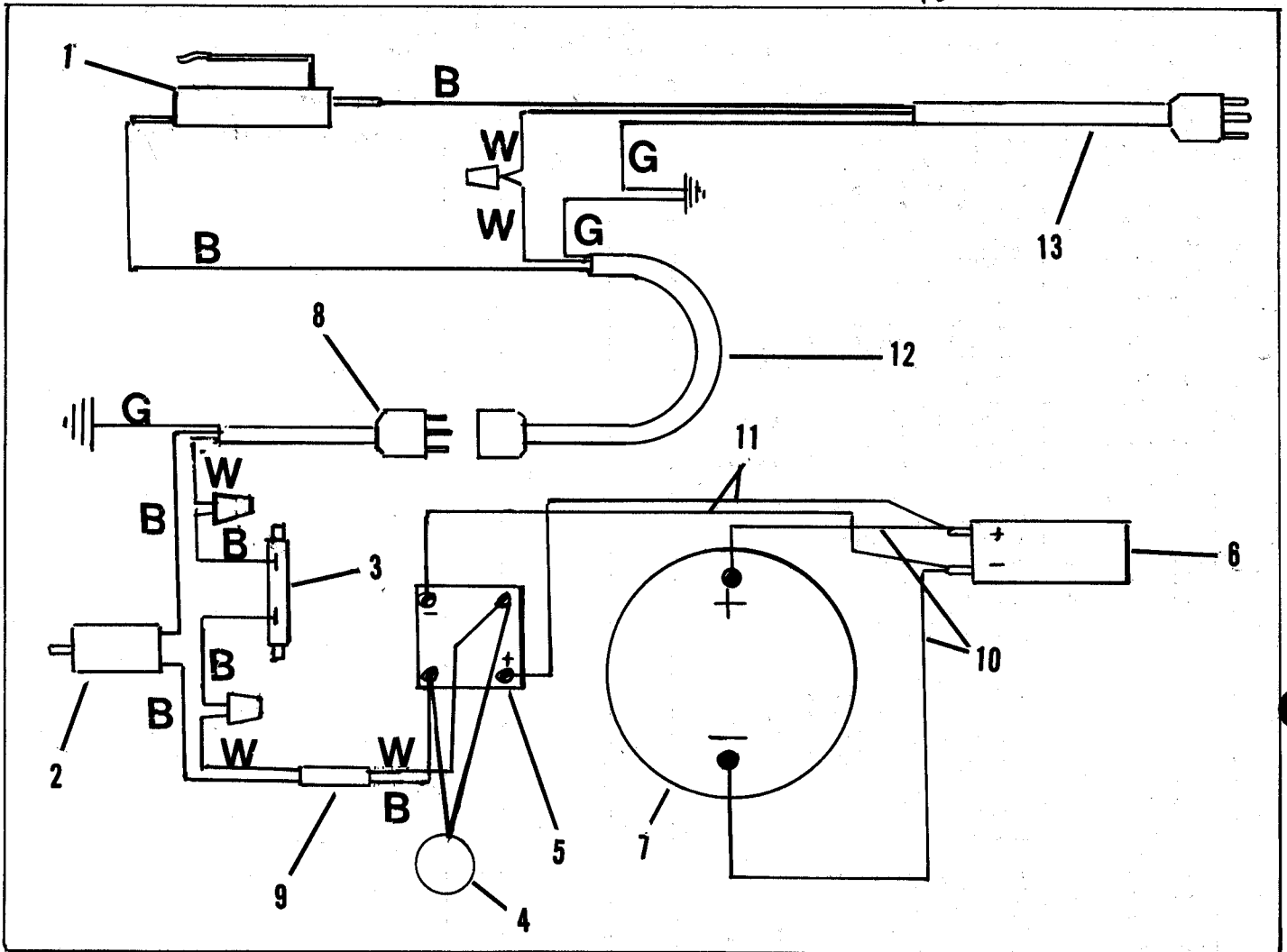
ITEM	PART NO	QTY	DESCRIPTION	ITEM	PART NO	QTY	DESCRIPTION
75	171 544	1	COVER ASS'Y., Motor	144		3	SCREW, 1/4-20 X.625 Hex Hd.
76	014 844	1	DECAL, Matador	145	171 541	1	NUT, 3/8-27 Hex
77		12	SCREW, #10-24 X.375 Pan Hd.	146	171 038	1	CORD ASS'Y., 14/12 X 19
78	171 512	1	BRACKET				
79	171 529	1	SHROUD ASS'Y., w/Decal 17"				
	171 527	1	SHROUD ASS'Y., w/Decal 20"				
80	014 532	1	DECAL, Advance				
81	171 559	4	SPACER				
82		2	WASHER, #10 Flat				
83		2	NUT, #10-24 Hex				
84	171 129	1	CORD SET 14/3 X.54				
85	320 358	1	STRAIN RELIEF				
86	161 691	2	WHEEL, 5.00 X 1.25				
87	155 411	4	WASHER				
88	155 373	2	WASHER, Bowed				
89	520 845	2	AXLE				
90	171 095	2	BEARING, Sleeve				
91	171 554	1	CIRCUIT BREAKER, 16A 115V				
	171 550	1	CIRCUIT BREAKER, 9A 230V				
92	321 737	1	WIRE NUT				
93	171 108	2	CLAMP, Bumper				
94		2	SCREW, #10-32, X.75 Flat Hd.				
95	171 174	1	BRACKET, Idler				
96		1	SCREW, 1/4-20 X 3.00 Flat Hd.				
97	171 104	1	RATCHET, Casting				
98		3	SCREW, 1/4-20 X .625 Hex Hd.				
99		2	LOCKWASHER, 1/4"				
100		6	WASHER, 1/4" Flat				
101	171 039	2	BRACKET, Idler				
102	171 178	1	IDLER ASS'Y.				
103	171 177	1	SPRING				
104		1	NUT, 1/4-20 Whiz				
105	171 414	1	SHEAVE, 17"				
	171 088	1	SHEAVE, 20"				
106	443 719	1	KEY, Square				
107		2	SCREW, 1/4-20 X.25 Set				
108		3	SCREW, 5/16-18 X 1.25 Hex Hd.				
109		3	LOCKWASHER, 5/16"				
110		3	WASHER, 5/16" Flat				
111	171 422	1	WEIGHT, Casting 17"				
	171 047	1	WEIGHT, Casting 20"				
112	163 744	1	GROMMET				
113	171 092	1	COVER, 17"				
	171 121	1	COVER, 20"				
114	014 843	1	DECAL, Instruction				
115	320 099	1	GASKET, 1/8 X 38				
116	171 056	1	STUD, Shaft				
117		4	SCREW, 1/4-20 X.625 Flat Hd.				
118	171 078	1	SEAL, Shaft				
119	378 267	2	BEARING, Cone				
120	378 259	2	CUP, Bearing				
121	171 376	1	PULLEY ASS'Y.				
122	171 200	1	BELT, Poly-V				
123	158 313	1	NUT, Slotted 9/16"				
124		1	COTTER PIN, 1/16 X 1.00				
125	163 430	1	DRIVE CAP, Casting				
126	158 275	1	GASKET				
127		6	SCREW, #12-24 X.625 Flat Hd.				
128	171 412	1	SKIRT ASS'Y., 17"				
	171 352	1	SKIRT ASS'Y., 20"				
129	014 874	1	DECAL, Insert				
130	514 070	1	BUMPER, 17"				
	514 065	1	BUMPER, 20"				
131	171 552	1	CAPACITOR, 1200 Mfd. 115V				
	171 510	1	CAPACITOR, 500 Mfd. 230V				
132	171 531	1	CLAMP, Capacitor				
133	180 162	1	RECTIFIER, 35A				
134	171 526	4	SPACER				
135	171 555	1	MOTOR ASS'Y., 1 1/2 H.P 115V/60Hz.				
	171 556	1	MOTOR ASS'Y., 1 1/2 H.P 230V/50Hz.				
136		2	THRU" BOLTS, 5/16-18				
137		2	JAM NUT, 5/16-18				
138	171 557	1	END BELL w/Brushes 115V				
	171 558	1	END BELL w/Brushes 230V				
139	171 472	1	BRUSHES, (Set of 2) 115V				
	171 473	1	BRUSHES, (Set of 2) 230V				
140	171 489	1	VARIATOR ASS'Y., 230V				
141	163 449	1	WASHER				
142	014 873	1	DECAL, Circuit Breaker				
143	206 784	1	BUSHING, Bracket				

171 542

20" Armature w/fan
1 1/2 hp motor only

WIRING DIAGRAM

FORM NO. 042053



ITEM	PART NO	QTY	DESCRIPTION
1	171 225	1	SWITCH
2	171 554	1	CIRCUIT BREAKER 16A 115V
	171 550	1	CIRCUIT BREAKER 230V 9A
3	172 260	1	RESISTOR, 230V
4	171 489	1	VARISTOR, 230V
5	180 162	1	RECTIFIER 35A
6	171 552	1	CAPACITOR, 1200Mfd 115V
	171 510	1	CAPACITOR, 500Mfd 230V
7	171 555	1	MOTOR, 1½ H.P 115V
	171 556	1	MOTOR, 1½ H.P 230V
8	171 129	1	CORD SET
9	171 038	1	CORD ASS'Y., 14/3 X 19
10	171 036	1	WIRE ASS'Y., 14/3 X 15
11	171 034	2	WIRE ASS'Y., 14/3 X 4
12	171 128	1	CORD SET 115V, 230V
13	524 069	1	CORD SET, 115V
	300 227	1	CORD SET, 230V