



Electronic Service Manuals

This electronic document is provided as a service to our customers. We do not create the contents of the information contained in this document. Should you have detailed questions pertaining to the information contained in this document, you may contact Michco, or the manufacturer which provided the original information in this electronic deliverable. Michco's only part in this electronic deliverable was the electronic assembly process.

You may contact Michco through the following methods:
Phone (517) 484-9312 or (800) 331-3339 MI, OH, IN only
2011 N. High St. -- Lansing, Michigan -- 48906
Fax: (517) 484-9836
Email: CustServ@Michco.com
Web site: www.Michco.Com
Parts Web site: www.FloorMachineParts.Com

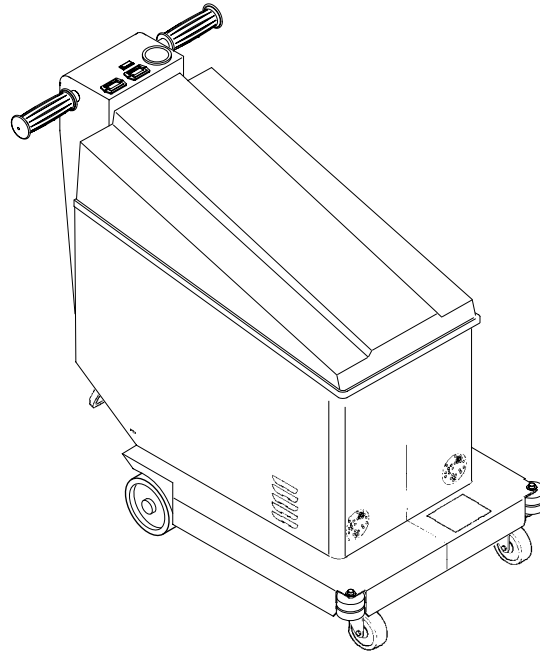
Order Parts on Line at:
www.FloorMachineParts.Com

Directly to Parts & Service:
By Email: **Shop@Michco.com**
By Fax: (517) 702-2041
By Voice: Use numbers above.

Serving the Cleaning Industry Since 1922

Notice: All copyrighted material remains property of original owners, all trademarks are property of respective owners. Manuals are subject to Manufacturer's reproduction limitations. Originals or reproductions were provided by manufacturers through a request. We make no warranty as to the correctness of information provided in this document and you assume all risk.

BHS 5120



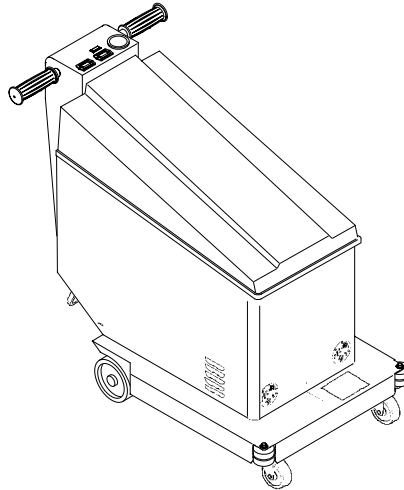
PARTS LIST

Nilfisk MODEL 56393900



Nilfisk
Advance
setting standards

1/98 revised 2/03 FORM NO. 56042333
BOOK D SECTION 5.6.1



DESCRIPTION	PLAN
CHASSIS AND SHROUD	D-5.6.1-5
CONTROL HANDLE	D-5.6.1-7
PAD DRIVE ASSEMBLY	D-5.6.1-9
WHEEL DRIVE	D-5.6.1-11
WIRING DIAGRAM	D-5.6.1-13

WHEN ORDERING PARTS

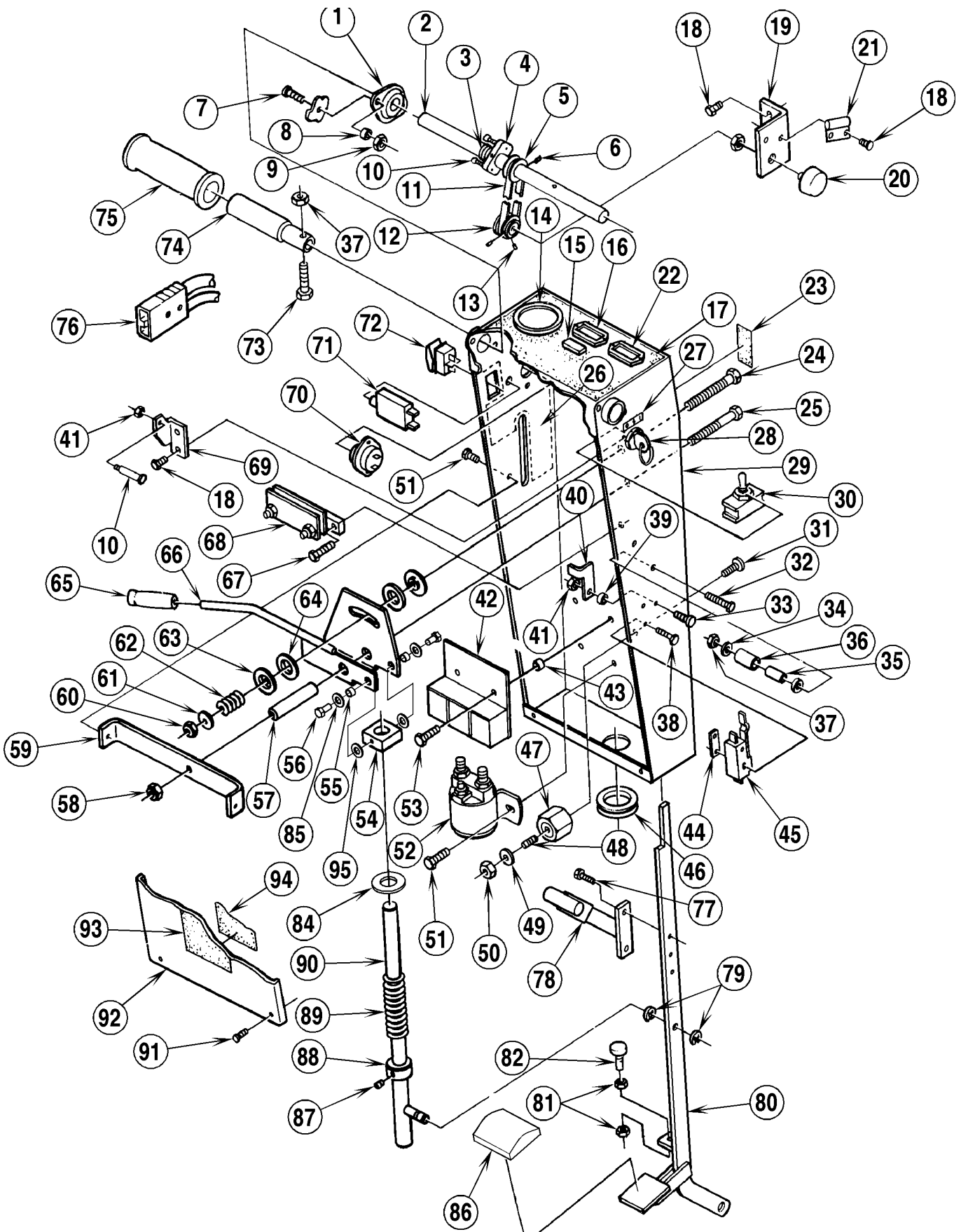
- * Use the 8 digit numbers from the "Ref. No." columns in this parts list.
- * Specify the model and serial number of the machine.
- * Use the space below to record the model and serial number for future reference.

Model _____ Serial No. _____

98-1	CHASSIS AND SHROUD	BOOK D		
01-9	BHS 5120	D	5.6.1	5

Item	Ref. No.	Qty	Description
	56393561	1	Shroud Assembly (#1-6)
1	56001904	8	Scr, Hex 6-32 x .38
2	56393559	2	Keeper
3	56002830	8	Nut, Hex Nyl Loc 6-32
4	56393503	1	Shroud
5	56002519	3	Scr, Hex 10-24 x .38
6	56393539	1	Bracket
7	56393741	1	Battery Charger Connector W/Wires
8	56372673	12	Battery Boot
9	56363936	2	Battery Cable TSB 730
*	56363928	3	Battery Cable TSB 730
10	56393574	1	Battery Tray
11	56393730	1	Chassis
12	56262534	4	Cap
13	56016418	3	Decal, Nilfisk BHS 5120
14	56393543	2	Pin
15	56363855	4	Wheel
16	56328022	2	Bushing
17	56206725	2	Caster
18	56002513	10	Scr, Hex 1/4-20 x .50
19	56462362	1	Charger Interlock Switch
20	56002503	2	Scr, Hex 10-24 x .50
21	56002708	2	Nut, Hex Nyl Loc 1/4-20
22	56478246	12	Tie, Cable
23	56001833	2	Scr, Hex 1/4-20 x 1.50
24	56393560	2	Latch
25	56393549	2	Trim
26	56157376	2	Grommet
27	56015120	1	Decal, Pad Replacement
28	56393578	1	Battery Retaining Strap
29	56393581	2	Bumper
30	56163767	8	Spring Washer
31	56002768	2	Nut, Hex Nyl Loc 10-24
32	56393582	1	Switch Bracket
*	56386973	1	Battery Cable TSB 730
*	56324284	1	Battery Cable TSB 730

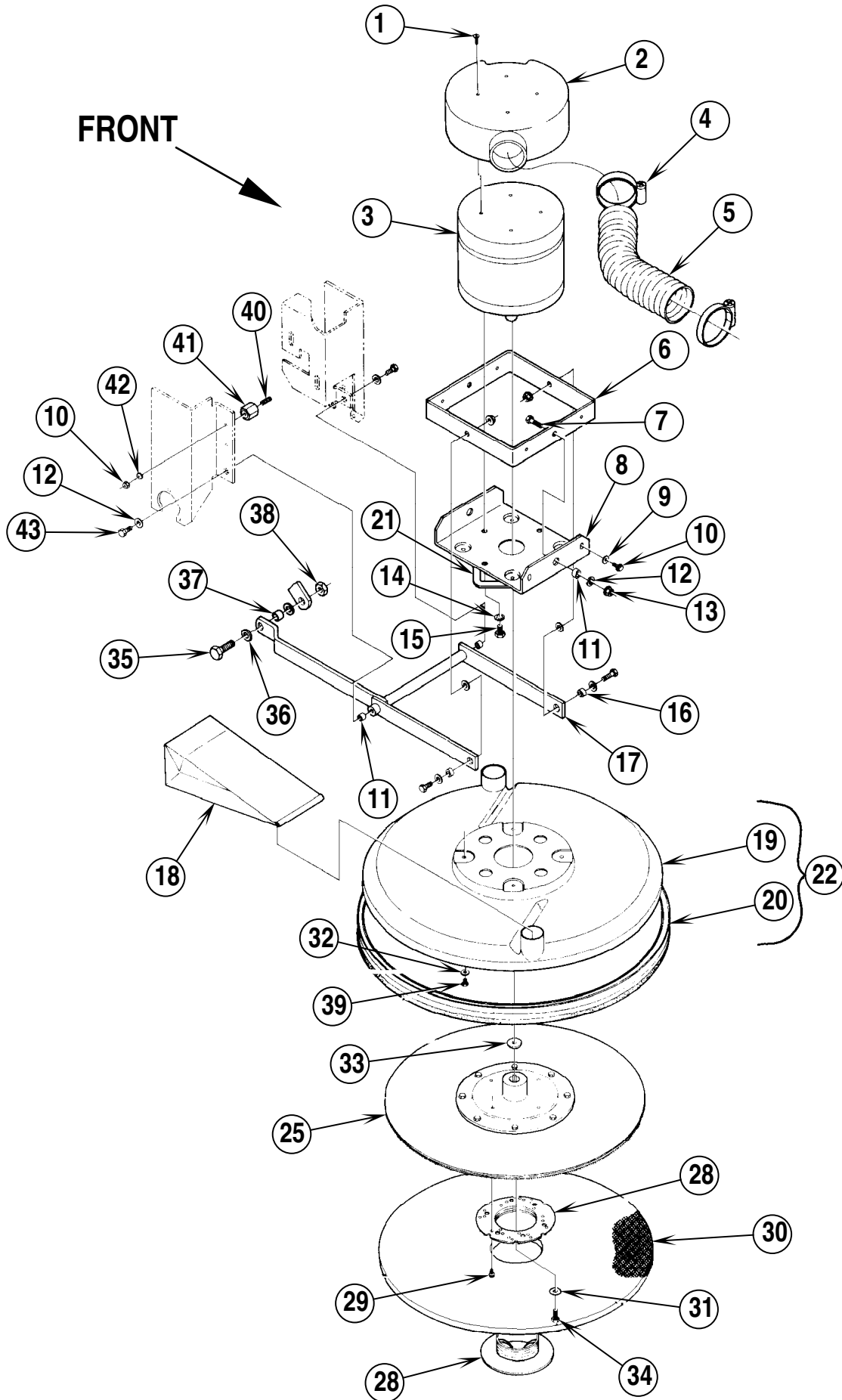
* = Not Shown



98-1	CONTROL HANDLE	BOOK D		
03-2	BHS 5120	D	5.6.1	7

Item	Ref. No.	Qty	Description	Item	Ref. No.	Qty	Description
	56393902	1	Handle Assembly (#1-76)	56	56002510	2	Scr, Hex Thd Form 10-24 x .62
1	56393264	2	Handle Bearing	57	56393520	1	Pivot
2	56324131	1	Handle Bar	58	56002701	1	Nut, Hex Nyl Loc 5/16-18
3	56324033	1	Spring	59	56393534	1	Support
4	56324133	1	Handle Spring Lever	60	56002769	1	Nut, Hex Nyl Loc 3/8-16
5	56392859	1	Pulley	61	56002063	1	Wsh, Flt SAE 3/8
6	56001935	4	Scr, Soc Set Loc 10-24 x .19	62	56171177	1	Spring
7	56002793	4	Scr, Hex 5/16-18 x .75	63	56440760	2	Washer
8	56320595	4	Bushing	64	56367184	2	Thrust Bearing
9	56002826	4	Nut, Hex Nyl Loc 5/16-18	65	56471193	1	Grip
10	56900481	3	Shoulder Bolt	66	56393528	1	Lever
11	56324022	1	Belt	67	56002520	2	Scr, Hex Thd Form 10-24 x .50
12	56324513	1	Pulley	68	56386793	1	Shunt
13	56002279	2	Scr, Soc Set Loc 8-32 x .25	69	56393716	1	Stop Bracket
14	56389527	1	Ammeter	70	56393722	1	Circuit Breaker, 70 Amp
15	56389433	1	Red Indicator Light, 24V (before February 1998)	*	56002192	2	Scr, Hex 10-24 x .75
	56393863	1	Red Indicator Light, 36V (after January 1998)	71	56454538	1	Circuit Breaker, 15 Amp
16	56393717	1	Battery Fuel Gauge	72	56393312	1	Switch, Rocker
17	56015562	1	Decal, Control Panel	73	56001878	2	Scr, Hex 1/4-20 x 1.25
18	56002519	7	Scr, Hex Thd Form 10-24 x .38	74	56324120	2	Handle Tube
19	56324119	1	Bracket	75	56388545	2	Grip
20	56454740	1	Potentiometer	76	56393741	1	Charger Connector W/Wires
21	56393569	1	Switch	77	56002513	2	Scr, Hex Thd Form 1/4-20 x .50
22	56393718	1	Hour Meter	78	56393725	1	Handle
23	56025264	1	Decal, Cable Routing	79	56321427	2	Retaining Ring
24	56001873	1	Scr, Hex 3/8-18 x 2.50	80	56388184	1	Pedal Lever
25	56002606	1	Scr, Hex 5/16-18 x 3.25	81	56002840	2	Nut, Hex Nyl Loc 1/4-20
26	56015564	1	Decal, Side Panel	82	56386314	1	Leg Leveler 1/4-20
27	56015422	1	Decal, Power	84	56200115	1	Washer
28	56393325	1	Key Lock Bracket	85	56001954	2	Wsh, Flt SAE #10
	56393415	1	Replacement Key	86	56365002	1	Pedal Pad
29	56393726	1	Handle Weldment		56393583	1	Pedal Assembly (#80-82, 86)
30	56301636	1	Main Switch	87	56002021	1	Scr, Soc Set Loc 5/16-18 x .38
31	56001861	2	Scr, Hex 1/4-20 x .38	88	56367354	1	Collar
32	56001833	1	Scr, Hex 1/4-20 x 1.50	89	56372129	1	Spring
33	56002503	1	Scr, Hex 10-24 x .50	90	56393522	1	Rod
34	56002098	2	Wsh, Flt SAE 1/4	91	56002519	2	Scr, Hex Thd Form 10-24 x .38
35	56207489	1	Bushing	92	56393723	1	Panel
36	56244859	1	Bushing	93	56015119	1	Decal, Caution
37	56002840	3	Nut, Hex Nyl Loc 1/4-20	94	56016069	1	Decal, Wiring
38	56003009	2	Scr, Hex 6-32 x 1.00	95	56009024	2	Wsh, Bowed .375 x .84 x .060
39	56375334	1	Bushing				
*	56002011	1	Wsh, Int SHPRF #10	*	56016007	1	Decal, Wear Items
40	56393530	1	Lever	*	56015584	1	Decal, Maintenance
41	56002768	4	Nut, Hex Nyl Loc 10-24	*	56377525	1	Diode
*	56001954	1	Wsh, Flt SAE #10	*	56389453	1	Resistor Assembly, 330Ohm, .5W
42	56393721	1	Speed Control	*	56478246	7	Tie, Cable
43	56377721	2	Spacer	*	56469832	1	Tie Anchor
44	56376015	1	Nut Plate				
45	56324362	1	Switch				
46	56344621	1	Grommet				
47	56469858	2	Insulated stand-Off				
48	56150274	2	Stud				
49	56001830	2	Wsh, Int SHPRF 1/4				
50	56002040	2	Nut, Hex Jam 1/4-20				
51	56002530	4	Scr, Hex 1/4-20 x .38				
52	56395450	1	Contacto				
53	56002744	2	Scr, Hex Thd Form 10-24 x .38				
54	56393696	1	Bearing Block Assembly				
55	56200123	2	Bushing				

* = Not Shown

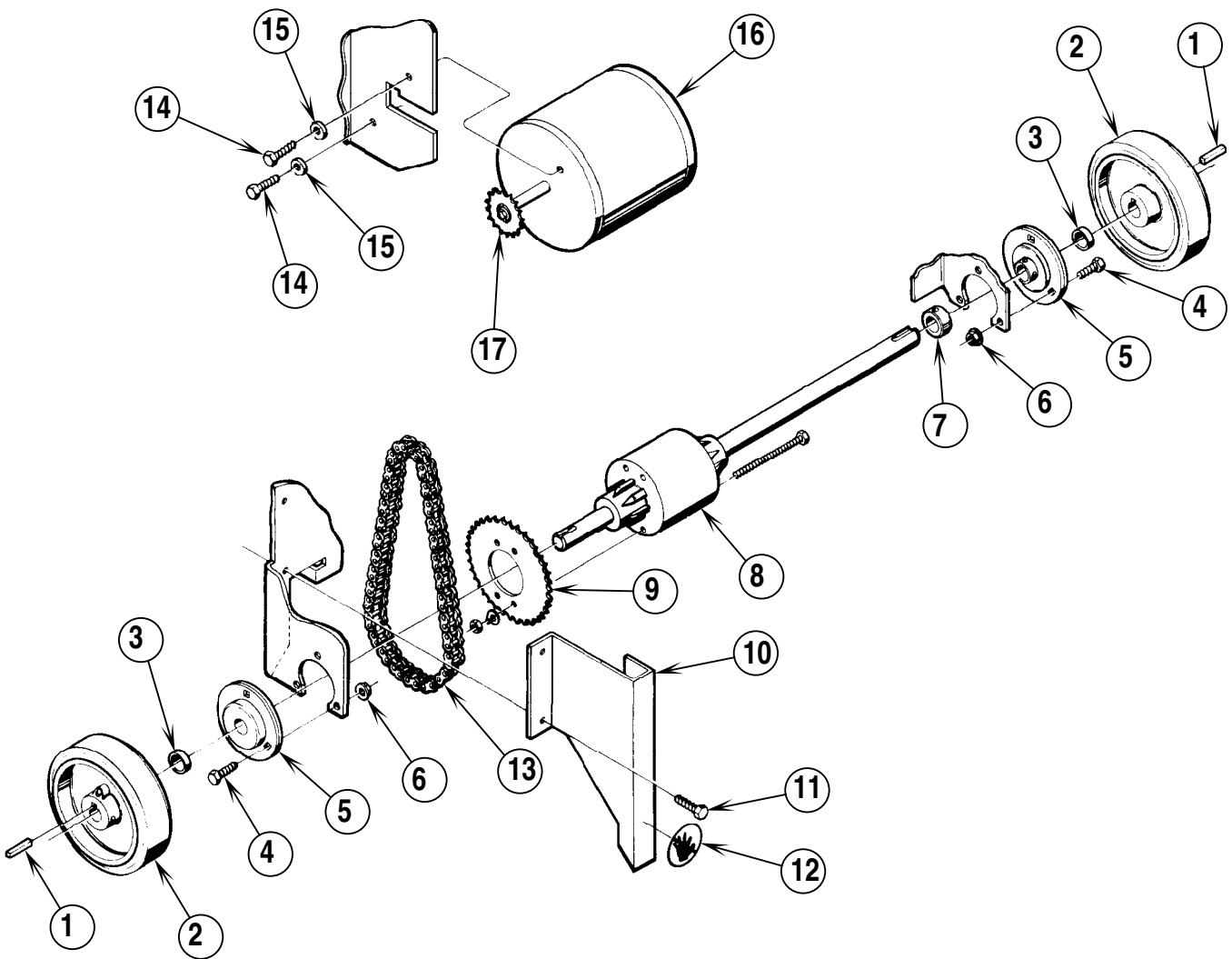


98-1	PAD DRIVE ASSEMBLY	BOOK D		
01-9	BHS 5120	D	5.6.1	9

Item	Ref. No.	Qty	Description
	56393502	1	Drive Unit Assembly (#1-17)
1	56002530	4	Scr, Hex 1/4-20 x .38
2	56393576	1	Cover
3	56389422	1	Motor
*	56389371	1	Carbon Brush Set (for 56389422)
*	56389395	1	Brush Spring Set (for 56389422)
4	56352829	4	Hose Clamp
5	56387392	2	Hose
6	56393542	1	Frame
7	56003073	4	Scr, Hex 5/16-18 x 1.00
8	56393510	1	Motor Mount
9	56002098	2	Wsh, Flt SAE 1/4
10	56002040	2	Nut, Hex Jam 1/4-20
11	56391840	4	Bushing
12	56001939	8	Wsh, Flt SAE 5/16
13	56002701	8	Nut, Hex Nyl Loc 5/16-18
14	56002206	4	Wsh, Int SHPRF 3/8
15	56002663	4	Scr, Hex 3/8-16 x .50
16	56244941	2	Bushing
17	56393551	1	Linkage
18	56391185	2	Bag (pkg of 6)
19	56393504	1	Shroud
20	56393565	1	Skirt
21	56200751	1	Gasket
22	56393566	1	Dust Shroud Assembly (#19-21)
25	56393650	1	Pad Holder (includes #28-29)
28	56393567	1	Retainer
29	56002519	4	Scr, Hex 10-24 x .38
30		1	Pad (not included)
31	56180200	1	Washer
32	56151114	4	Washer
33	56367192	1	Washer
34	56002596	1	Scr, Hex 5/16-24 x .75
35	56001895	1	Scr, Hex 1/2-13 x 1.00
36	56367214	2	Washer
37	56393373	1	Bushing
38	56002843	1	Nut, Hex Nyl Loc 1/2-13
39	56002530	4	Scr, Hex 1/4-20 x .38
40	56150274	2	Stud
41	56469858	2	Insulated Stand-Off
42	56001803	2	Wsh, Int SHPRF 1/4
43	56002956	4	Scr, Hex Loc 5/16-18 x .75

* = Not Shown

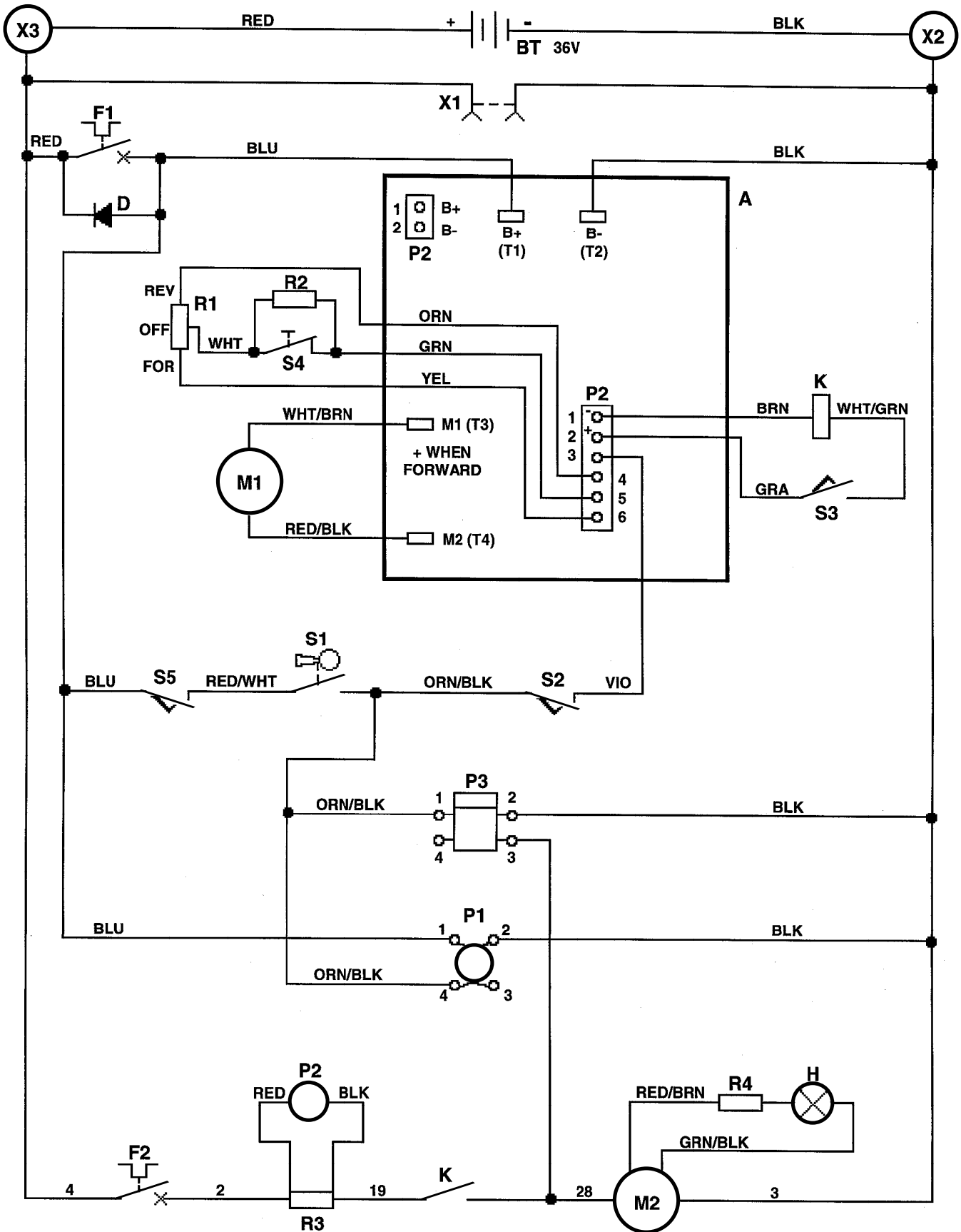
FRONT



98-1	WHEEL DRIVE	BOOK D		
01-9	BHS 5120	D	5.6.1	11

Item	Ref. No.	Qty	Description
1	56443719	2	Key
2	56393602	2	Wheel
3	56367192	2	Spacer
4	56002956	6	Scr, Hex 5/16-18 x .75
5	56393601	2	Bearing
6	56002701	6	Nut, Hex Nyl Loc 5/16-18
7	56367095	1	Collar
8	56393603	1	Differential
9	56467368	1	Sprocket
10	56393616	1	Guard
11	56002513	2	Scr, Hex 1/4-20 x .50
12	56030080	1	Decal, Hands Clear
13	56393738	1	Roller Chain
14	56003073	2	Scr, Hex 5/16-18 x 1.00
15	56152781	2	Washer
16	56467149	1	Drive Motor
*	56503006	1	Carbon Brush/Set 2
17	56465456	1	Sprocket

* = Not Shown



98-1	WIRING DIAGRAM	BOOK D		
01-12	BHS 5120	D	5.6.1	13

Item	Ref. No.	Qty	Description
A	56393721	1	Speed Control
BT			Battery
D	56377525	1	Diode
F1	56454538	1	Circuit Breaker, 15 Amp
F2	56393722	1	Circuit Breaker, 70 Amp
H	56389433	1	Red Indicator Light, 24V (before February 1998)
	56393863	1	Red Indicator Light, 36V (after January 1998)
K	56395450	1	Brush Motor Solenoid
M1	56467149	1	Wheel Drive Motor
*	56503006	1	Carbon Brush/Set 2
M2	56389422	1	Brush Motor
P1	56393717	1	Battery Fuel Gauge
P2	56389527	1	Ammeter
P3	56393718	1	Hour Meter
R1	56454740	1	Potentiometer, 5K Ohm
R2	56393734	1	Resistor, 5.6K, .25W
R3	56386793	1	Shunt
R4	56389453	1	Resistor, 330 Ohm, .5W
S1	56301636	1	Main Switch
S2	56393569	1	Tip Interlock Switch
S3	56324362	1	Brush Motor Switch
S4	56393312	1	Speed Limit Switch
S5	56462362	1	Charger Interlock Switch
X1	56393741	1	Battery Charger Connector
X2		1	Negative Terminal Stud
X3		1	Wheel Motor Disconnect
#4	56393742	1	Cable Assembly #6 AWG x 9.00
#2	56393572	1	Cable Assembly #4 AWG x 10.00
#3	56393573	1	Cable Assembly #4 AWG x 29.00
#19	56389223	1	Cable Assembly #6 AWG x 9.00
#28	56389313	1	Cable Assembly #6 AWG x 29.00
*	56393729	1	Wiring Harness (before February 1998)
	56393864	1	Wiring Harness (after January 1998)

* = Not Shown

DANMARK

Nilfisk-Advance Nordic A/S
 Myntevej 3, 8900 Randers
 ☎ 86 42 84 33 – Fax 86 41 19 55

NORGE

Nilfisk-Advance AS
 Enebakkn, 119, 0680 Oslo, Postboks 196, Manglerud,
 0612 Oslo
 ☎ 22 08 63 50 – Fax 22 08 63 63
 Distriktsrepresentanter over hele landet

SVERIGE

Nilfisk-Advance AB
 Sjöbjörnsvägen 5, 117 67 Stockholm
 ☎ 085 55 944 00 – Fax 085 55 944 30

FINLAND/ SUOMI

BERNER Ltd. Facotek Department
 Etäleranta 4B, 00130 Helsinki
 ☎ +358 9 1345 1382

AUSTRALIA

Nilfisk-Advance Pty. Ltd.
 ACN 003 762 623
 Head office: 17 Leeds Street, Rhodes, N. S. W. 2138
 ☎ (02) 9736 1244 – Fax (02) 9736 3910
 Customer Responce Centre:
 ☎ 1 800 011 013

BELGIQUE / BELGIË/ LUXEMBOURG

Nilfisk-Advance s.a./n.v.
 Doornveld/ Sphere Business Park
 Industrie Asse 3, nr 11 – bus 41
 1731 Zellik-Asse
 ☎ (02) 467.60.50 Fax (02) 463.44.16

CANADA

Nilfisk-Advance Ltd.
 396 Watline Avenue
 Mississauga, Ontario L4Z 1X
 ☎ (905) 712-3260 – Fax (905) 712-3255

DEUTSCHLAND

Nilfisk-Advance AG
 Siemensstraße 25-27
 25462 Rellingen
 ☎ (041 01) 3990 – Fax (04101) 399191
 Zentraler Kundenservice
 ☎ für die Industrie: 0180 535 67 97
 ☎ Institutionen und Gebäudereiniger: 0180 500 11 70

FRANCE

Nilfisk-Advance S.A.
 BP 246
 91944 Courtaboeuf Cedex
 ☎ (01) 69.59.87.00 Télécopie (01) 69.59.87.01

HONG KONG

Nilfisk-Advance Ltd.
 2001, 20/F HK Worsted Mills
 Industrial Building
 31-39 Wo Tong Tsui Street
 Kwai Chung, N.T.
 ☎ 2427 59 51 – Fax 2487 5828

IRELAND

Nilfisk-Advance Ltd.
 28 Sandyford Office Park
 Dublin 18
 ☎ +353 1 2943838 – Fax +353 1 2943845

JAPAN

Nilfisk-Advance Inc.
 3-4-9 Chigasaki Minami
 Tsuzuki-Ku Yokohama 224
 ☎ 045-942-7741 – Fax 045-942-6545

MALAYSIA

Nilfisk-Advance Sdn Bhd
 Lot 2, 1st. Floor
 Lorong 19/1A
 46300 Petaling Jaya
 Selangor Darul Ehsan
 ☎ 03-7568188/03-7568189/03-7568388 – Fax 03-7566828

NEDERLAND

Nilfisk-Advance B.V.
 Flevolaan 7, Postbus 341
 1380 AH Weesp
 ☎ 0294-462121 – Fax 0294-430053

NEW ZEALAND

Nilfisk-Advance Limited
 477 Great South Road, Penrose
 Auckland
 ☎ (09) 525 0092 – Fax (09) 525 6440

SCHWEIZ / SUISSE

Nilfisk-Advance AG
 Ringstrasse 19, 9533 Kirchberg/Wil
 ☎ 719 23 52 83 – Fax 719 23 84 44

SINGAPORE

Nilisk-Advance Pte. Ltd.
 22, Woodlands Industrial Park E1
 Singapore 757740
 ☎ (65) 759 9100 – Fax (65) 759 9133

TAIWAN

Nilfisk-Advance Ltd.
 1 F, No.23, Lane 132, Sec. 2
 Ta An Road, Taipei
 ☎ 700 22 68 – Fax 784 08 43

UNITED KINGDOM

Nilfisk-Advance Limited
 Newmarket Road
 Bury St. Edmunds
 Suffolk IP 33 3SR
 ☎ (01284) 763163 – Fax (01284) 750562

USA

Nilfisk-Advance Inc.
 14600 21st Avenue North
 Plymouth, MN 55447-3408
 ☎ +1 800 989 2235 – Fax 1 800 989 6566

Nilfisk-Advance of America, Inc.
 300 Technology Drive
 Malvern, PA 19355
 ☎ (610) 647 647-6427

ÖSTERREICH

Nilfisk-Advance GmbH
 Vorarlberg Allee 46
 1230 Wien
 ☎ 1 616 58 30 – Fax 1 616 58 30 40

ESPAÑA

Nilfisk-Advance, S.A.
 Torre D'Ara
 Passeig del Rengle, 5 Pl.9-10
 E-08302 – Mataró (Barcelona)
 ☎ Tel. 93 741 24 00 – Fax: 93 757 80 20
 Central atención al cliente: 902 200 201
nilfisk@nilfisk-advance.es – www.nilfisk-advance.com
 Distribuidores y Servicio Técnico en toda España y Andorra

ITALIA

Nilfisk-Advance Italia Spa
 Località Novella Terza
 26862 Guardamiglio (LO)
 Italy
 ☎ +39 0377 414067-54 – Fax +39 0377 414097
www.nilfisk-advance.com

PORTUGAL

Nilfisk-Advance Lda.
 Rua Cândido de Figueiredo, 91-i, 1500-133 LISBOA
 ☎ 01/7784142 – Fax 01/7785613
 Porto 02/526766 – Fax 02/520739
 Açores 096/628092/3 – Fax 096/628129
 Madeira 091/228965 – Fax 091/228796

GREECE

Embiom S.A.
 Λεωφ. Βουλιαγμένης 60
 Αργυρούπολη
 164 52 Αθήνα
 ☎ 9950613 - Fax 9951680



Material composition of the Nilfisk BHS 5120

