



# Electronic Service Manuals

This electronic document is provided as a service to our customers. We do not create the contents of the information contained in this document. Should you have detailed questions pertaining to the information contained in this document, you may contact Michco, or the manufacturer which provided the original information in this electronic deliverable. Michco's only part in this electronic deliverable was the electronic assembly process.

You may contact Michco through the following methods:  
Phone (517) 484-9312 or (800) 331-3339 MI, OH, IN only  
2011 N. High St. -- Lansing, Michigan -- 48906  
Fax: (517) 484-9836  
Email: [CustServ@Michco.com](mailto:CustServ@Michco.com)  
Web site: [www.Michco.Com](http://www.Michco.Com)  
Parts Web site: [www.FloorMachineParts.Com](http://www.FloorMachineParts.Com)

Order Parts on Line at:  
**[www.FloorMachineParts.Com](http://www.FloorMachineParts.Com)**

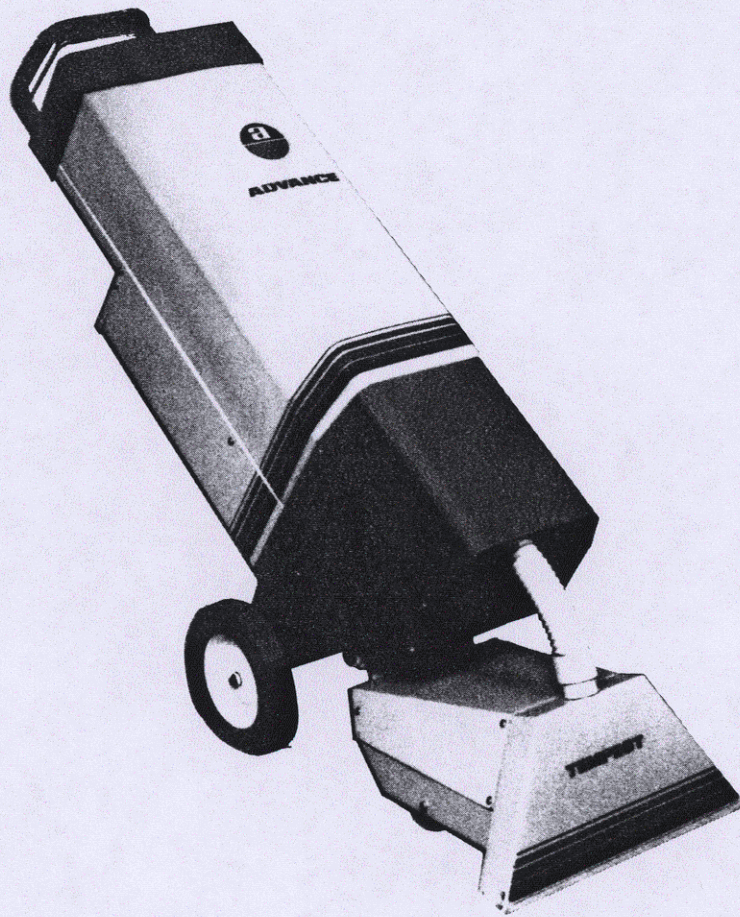
Directly to Parts & Service:  
By Email: **[Shop@Michco.com](mailto:Shop@Michco.com)**  
By Fax: (517) 702-2041  
By Voice: Use numbers above.

**Serving the Cleaning Industry Since 1922**

Notice: All copyrighted material remains property of original owners, all trademarks are property of respective owners. Manuals are subject to Manufacturer's reproduction limitations. Originals or reproductions were provided by manufacturers through a request. We make no warranty as to the correctness of information provided in this document and you assume all risk.

**TEMPEST**  
Model TST16, PTST16

# PARTS LIST



**ADVANCE**  
MACHINE COMPANY

INTERNATIONAL HEADQUARTERS, Plymouth, Minnesota 55441-3485  
EUROPE, Llantrisant, Pontyclun, Mid-Glamorgan CF7 8YZ, Wales, United Kingdom  
CANADA, 1295 Crestlawn Drive, Mississauga, Ontario L4W 1A9

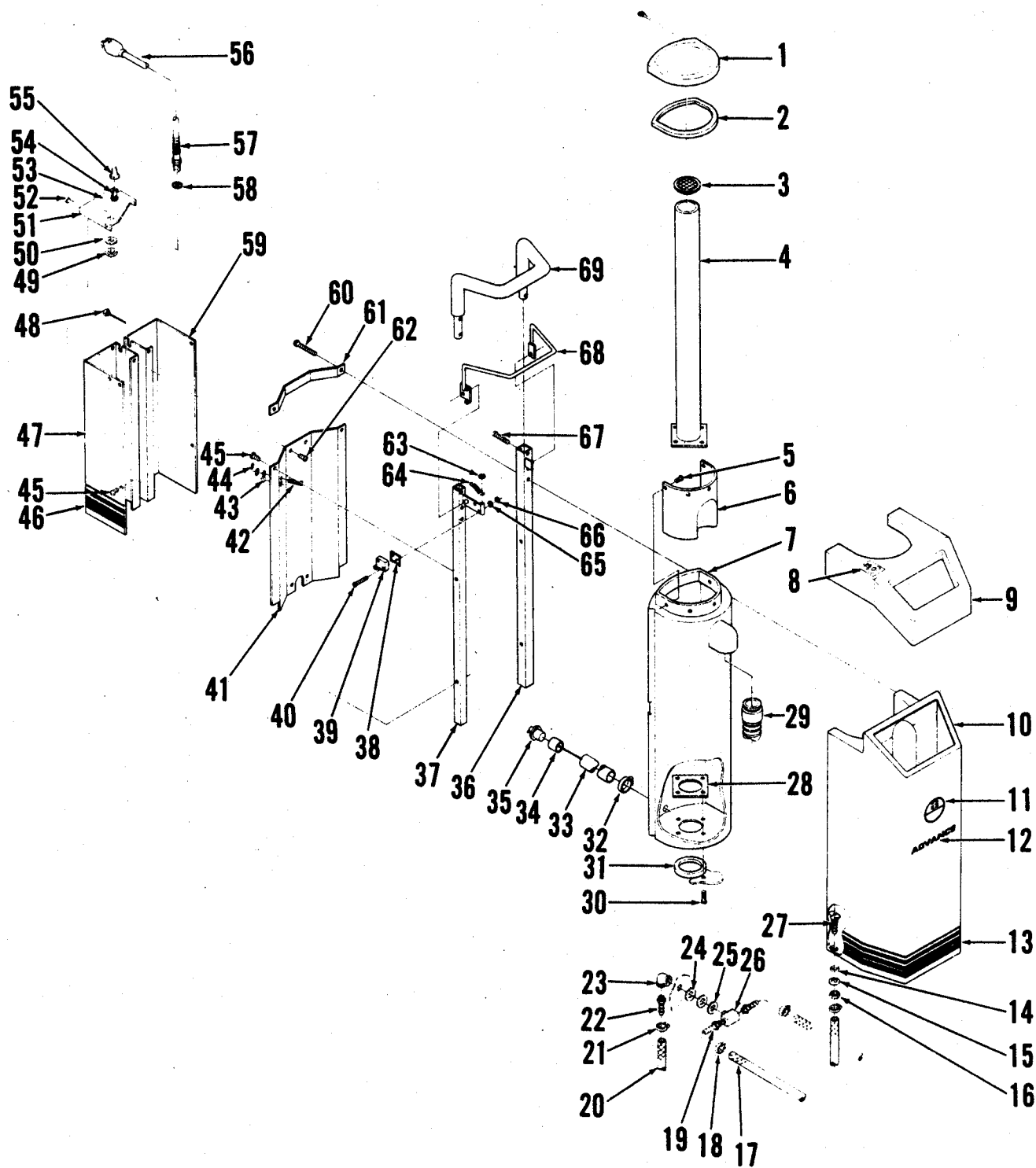
FORM NUMBER 042170 5/87

©1987, Advance Machine Company, Plymouth, MN 55441-3845



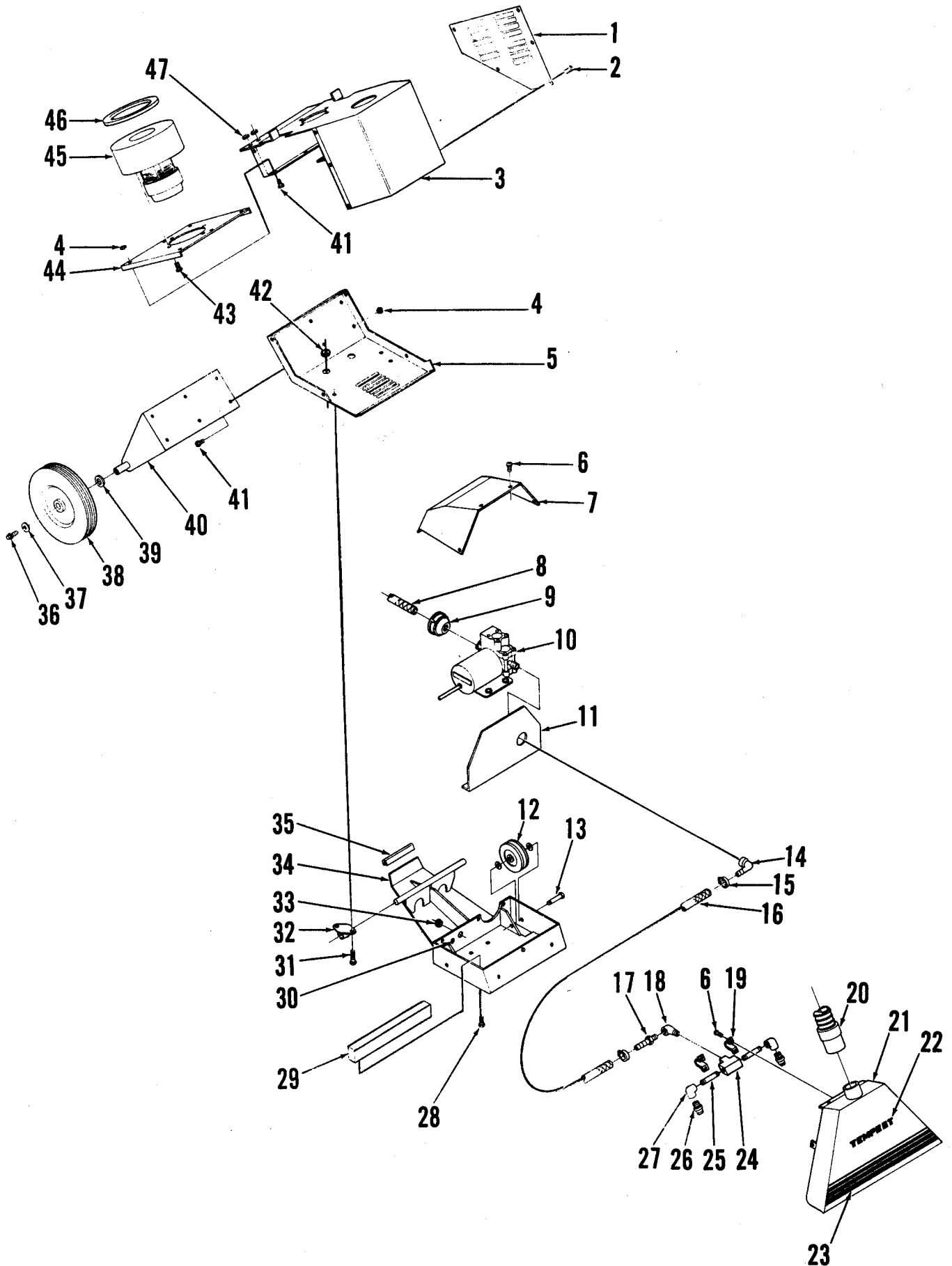
## INDEX FOR FORM NUMBER 042170

<b>Description</b>	<b>Location</b>	<b>Page</b>
Pump, Power Tempest	B8	7
Tanks	B2	1
Vacuum Motor & Base, Power Tempest	B6	5
Vacuum Motor & Pump, Std.	B4	3
Wiring Diagrams	B10	9



# TANK ASSEMBLIES

Item	Part No.	Qty	Description	Item	Part No.	Qty	Description
1	260834	1	Cover Assembly (includes #2)	52	002549	1	Screw, #10-32 x 3/8 HP5
2	260826	1	Gasket, Cover		017916	1	Decal, Switch
3	260822	1	Screen, Cup <b>TSB 446 - G10</b>	53	017924	1	Decal, Switch Power Tempest
4	260816	1	Tube Weldment	54	207075	1	Switch, DPST
5	900043	5	Screw, SS		207075	2	Switch, DPST Power Tempest
6	260821	1	Shield	55	756514	1	Boot, Switch <b>TSB 474 - G6</b>
7	260754	1	Tank, Recovery Routed		756514	2	Boot, Switch Power Tempest
8	017918	1	Decal, Pump Switch	56	584968	1	Power Cord, 16/3
9	260835	1	Cover	57	162736	1	Strain Relief
10	260752	1	Tank, Solution Routed	58	513059	1	Washer
11	017917	1	Decal, Logo	59	260791	1	Panel, Pouch
12	017915	1	Decal, Advance	60	001833	2	Screw, 1/4-20 x 1-1/2
13	017913	1	Decal, Stripe Front	61	260788	1	Brace, Tank
14	900039	2	O-Ring	62	002043	4	Screw, Pan Head #10-24 x 3/8
15	260837	2	Washer	63	260845	1	Spring Grip Fastener 3/16
16	002305	2	Nut, Hex Jam 7/16-20	64	321087	1	Spring
17	260841	2	Tube, 1/4 x 7 Nylo Braid	65	001952	2	Washer, Shakeproof #4
18	756364	4	Clamp, Hose SAE #4	66	001986	2	Nut, Hex #4-40
19	470111	2	Barb, 1/4 x 1/4 Brass	67	002552	4	Screw, 1/4-20 x 1-1/4 HP5
20	260930	1	Tube Tempest	68	260792	1	Switch Lever Weldment
	260928	1	Tube Power Tempest	69	260829	1	Handle Assembly
21	219932	2	Hose Clamp SAE 6				
22	373456	1	Barb, 1/2 x 1/4 Brass				* Accessory Tool Connection Parts <b>TSB 474 - G6</b>
23	340782	1	Elbow, 1/4 x 90 Brass				
24	249902	1	Spring Washer				
25	002319	2	Washer, 9/16 SAE				
26	372506	1	Tee, Branch 1/4 Brass				
27	260814	2	Barb, Drain				
28	260120	1	Gasket				
29	260820	1	Hose, Recovery Assembly				
30	002030	4	Screw, 1/4-20 x 5/8				
31	209642	1	Gasket, 2.1 ID x 2.80 OD				
32	244969	1	Clamp, Hose				
33	260828	1	Hose, Drain				
34	261297	1	Tube				
35	260098	1	Plug				
36	260911	1	Tube Weldment, Left				
37	260784	1	Tube Weldment, Right				
38	260929	1	Insulator, Paper				
39	358992	1	Switch, Snap				
40	002183	2	Screw, #4-40 x 7/8				
41	260787	1	Panel, Recovery Tank				
42		1	Ground Screw				
43	327409	1	Bushing, Heyco				
44	014119	1	Decal, Ground Symbol				
45	002511	18	Screw, #10-24 x 3/8 HP5				
46	017914	2	Decal, Stripe, Side				
47	260789	1	Panel, Electric				
48	002349	6	Nut, Hex #10-24				
49	200441	1	Nut, Strain Relief				
	260858	1	Nut, Strain Relief Power Tempest				
50	200115	1	Washer				
51	260790	1	Cover, Electrical Panel				

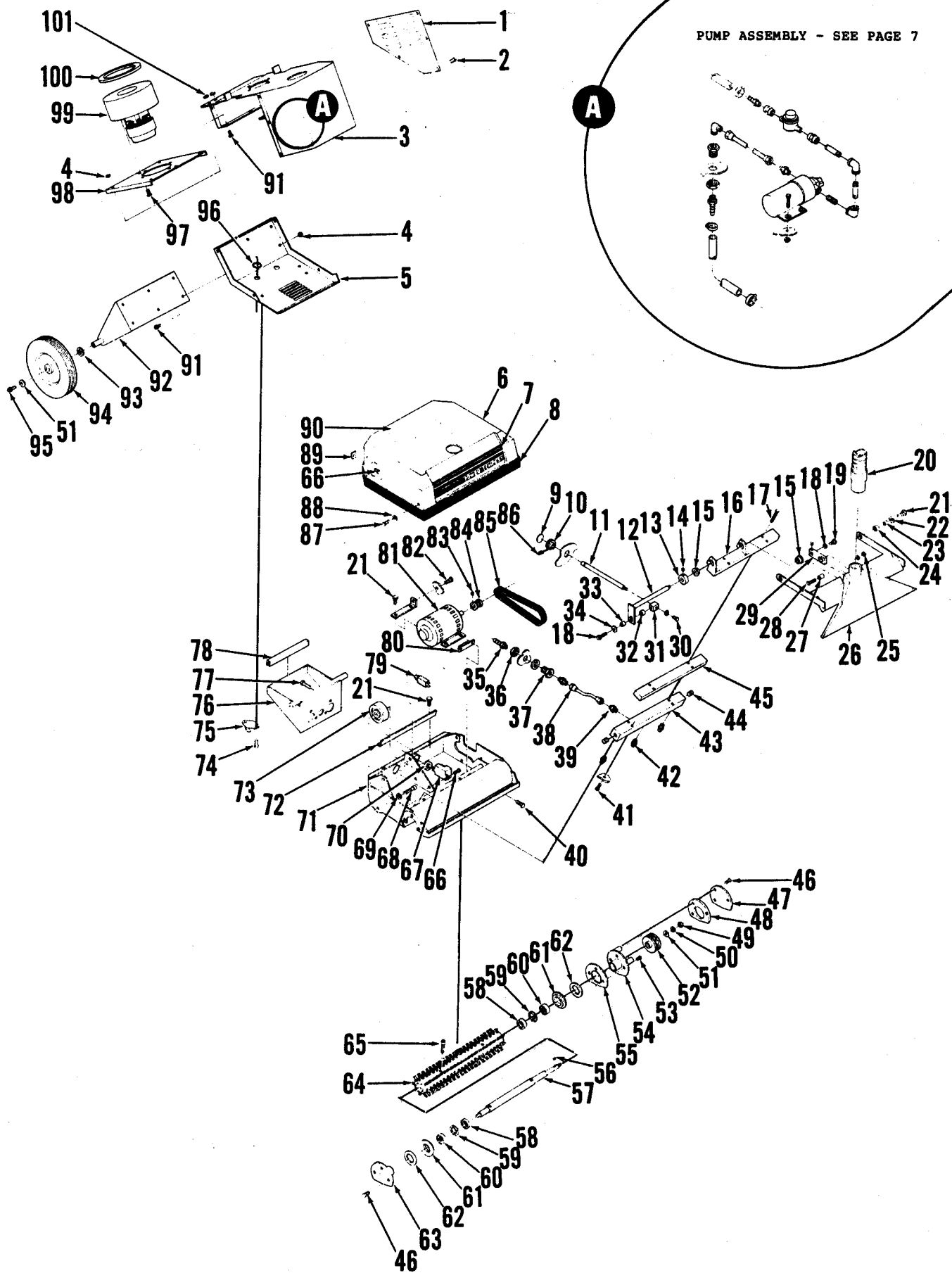


## STANDARD TEMPEST FRAME & BASE

Item	Part No.	Qty	Description	Item	Part No.	Qty	Description
1	260847	1	Cover, Right	22	017919	1	Decal, Tempest
	260848	1	Cover, Left	23	017922	1	Decal, Stripe
2	002511	18	Screw, #10-24 x 3/8 HP5	24	900027	1	Tee, 1/4
3	260757	1	Frame Weldment	25	753725	2	Nipple, 1/4 x 2.50
4	001827	12	Nut, Whiz 1/4-20	26	260806	2	Nozzle, 9503
5	260764	1	Plate, Base	27	340782	2	Elbow, 1/4 x 90°
6	002518	11	Screw, #10-24 x 3/8 HP5	28	001887	2	Screw, Hex Head 3/8-16 x 1
7	260908	1	Panel, Cover	29	260853	1	Weight
8	260930	1	Tube	30	014119	1	Ground Symbol
9	261247	1	Filter Inlet	31	002425	4	Screw, Hex Head #10-24 x 7/8
10	260773	1	Pump 115V <b>TSB 430 - G11</b>	32	387304	1	Axle Block Right
	260772	1	Pump 230V <b>TSB 430-G11</b>		387306	1	Axle Block Left
*	260743	1	Pressure Switch	33	260854	1	Strain Relief
*	260745	1	Valve Kit	34	260809	1	Frame Pump Weldment
*	260747	1	Rectifier 115V	35	260924	1	Bumper
*	260734	1	Rectifier 230V	36	002513	2	Screw, Hex Head 1/4 x 1/2 HP5
11	260839	1	Plate, Baffle	37	002098	2	Washer, Flat 1/4
12	322158	2	Wheel, 3"	38	260948	2	Wheel, 8.00 x 1.75
13	002368	2	Screw, Hex Head 5/16-18 x 1.75	39	155373	2	Washer, Spring
14	260916	1	Elbow	40	260777	1	Wheel Mount Weldment
15	219932	2	Hose Clamp SAE #6	41	001854	12	Screw, Hex Head 1/4-20 x 1/2
16	249634	1	Tube, 1/2 x 13	42	157376	2	Grommet
17	155640	1	Barb	43	329623	4	Screw, In-Plas 8-18 x 5/8
18	369632	1	Elbow, STR 90°	44	260914	1	Mount, Vac Motor
19	260843	2	Clamp, Pipe	45	260766	1	Vac Motor <b>TSB 446 - G10</b>
20	260820	1	Hose Recovery Assembly	46	380905	1	Gasket
21	260910	1	Shoe Weldment	47	382818	1	Bushing, Heyco

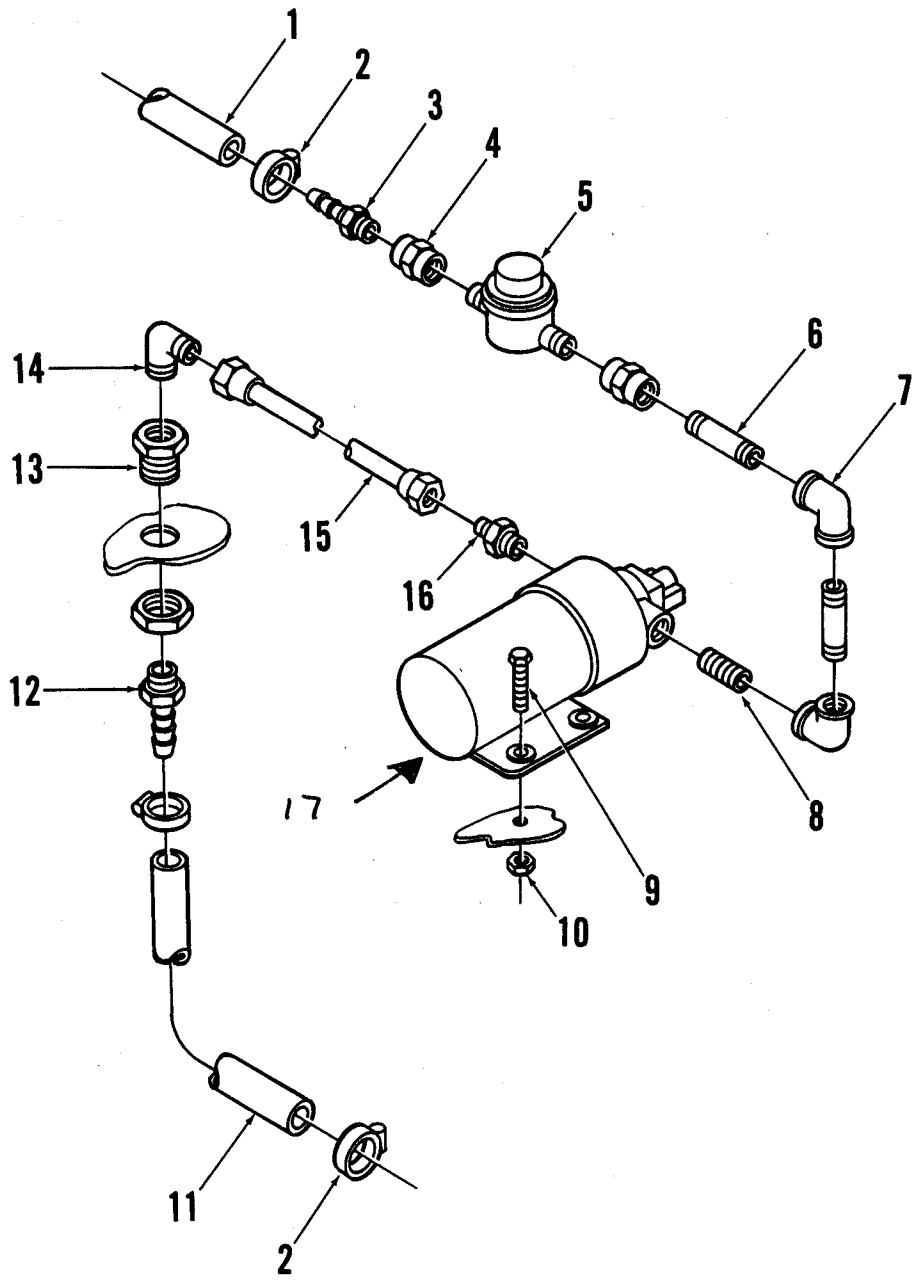
\* = Repair Parts For Pump

PUMP ASSEMBLY - SEE PAGE 7



## POWER TEMPEST FRAME AND BASE

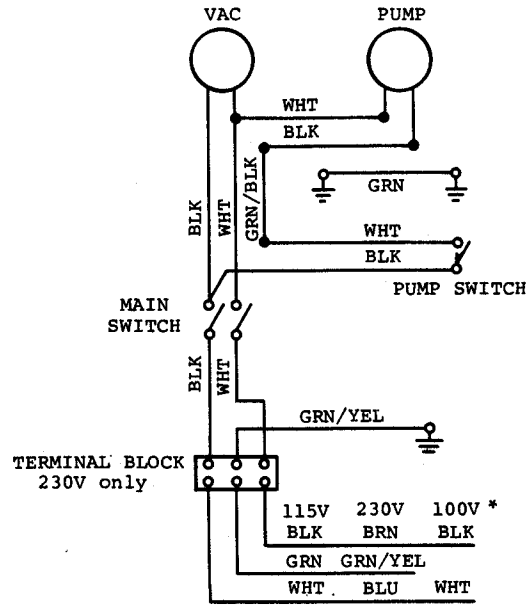
Item	Part No.	Qty	Description	Item	Part No.	Qty	Description
1	260847	1	Cover, Right	53	002549	3	Screw, #10-32 x 3/8 HP5
	260848	1	Cover, Left	54	260922	1	Hub Weldment, Left
2	002511	18	Screw, #10-24 x 3/8 HP5	55	249032	1	Gasket, Nut Plate
3	260757	1	Frame Weldment	56	151718	1	Key, Woodruff
4	001827	12	Nut, Whiz 1/4-20	57	249014	1	Shaft, Axle
5	260764	1	Plate, Base	58	228049	2	Seal, Shaft
6	260894	1	Shroud	59	249050	2	Ring, Retaining
7	017923	1	Decal, Stripe	60	228051	2	Bearing, Ball
8	260897	1	Bumper	61	228062	2	Washer, Rubber
9	015059	1	Decal, Instruction	62	249036	2	Washer, Nylon
10	217972	1	Knob, 1.50 x .38	63	260921	1	Hub Weldment, Right
11	260877	1	Shaft	64	249012	1	Brush
12	260880	1	Rod Weldment	65	001867	4	Screw, #10-24 x 1/2
13	331076	1	Collar .38 x .75 x .31	66	002505	4	Screw, #6-32 x 3/8
14	001935	1	Screw, Set #10-24 x .18	67	321610	1	Relay
15	491646	2	Bearing, Flange	68	002201	2	Screw, 5/16 x 1-1/2
16	260884	1	Bar Weldment	69	002052	2	Spring Lock Washer 5/16
17	002231	4	Screw, #10-24 x 1-1/2	70	382818	1	Bushing, Heyco
18	001954	1	Washer, Flat #10	71	260865	1	Frame Weldment
19	002503	2	Screw, #10-24 x 1/2	72	260864	1	Support
20	260820	1	Hose Recovery Assembly	73	260895	2	Wheel, 2-1/2 Diameter
21	002530	7	Screw, 1/4-20 x 3/8 HP5	74	002170	4	Screw, Hex Head #10-24 x 7/8
22	002098	2	Washer, Flat 1/4	75	387304	1	Axle Block Right
23	368989	3	Bushing, .25 x .37 x .30		387306	1	Axle Block Left
24	368970	2	Bearing, Sleeve .375	76	260900	1	Brace Weldment
25	002010	1	Nut, Whiz 1/4-20	77	002514	4	Screw, 1/2-20 x 3/4 HP5
26	260875	1	Shoe Weldment	78	260931	1	Bumper
27	475411	1	Bushing, .25 x .37 x .48	79	228414	1	Circuit Breaker
28	002504	1	Screw, 1/4-20 x 3/4	80	260898	1	Clamp
29	260879	1	Arm	81	260767	1	Motor, 1/8 HP <b>TSB 537 - G4</b>
30	002523	1	Screw, Pan Head #8-32 x 3/8	82	002513	5	Screw, Hex Head 1/4 x 1/2 HP5
31	260878	1	Threaded Block	83	001899	1	Screw, Set 1/4-20 x 5/16
32	491658	1	Bearing, Sleeve	84	249038	1	Sheave, Drive
33	200123	1	Bushing	85	249040	1	Belt
34	706083	1	Washer	86	002354	2	Screw, Socket Set 6-32 x 1/4
35	104299	1	Barb, 3/8 x 1/8	87	002580	2	Screw, #10-24 x 1/2 HP5
36	159247	1	Nut, Hex	88	449340	2	Washer, Finishing 7/32
37	249335	1	Anchor Connection	89	291224	2	Clamp, Bumper
38	260912	1	Tube Assembly	90	017925	1	Decal, Wiring
39	900025	2	Connector Male Flare	91	001854	6	Screw, Hex Head 1/4-20 x 1/2
40	002519	2	Screw, #10-24 x 3/8 HP5	92	260777	1	Wheel Mount Weldment
41	002503	4	Screw, #10-24 x 1/2	93	155373	2	Washer, Spring
42	260896	3	Nozzle	94	260948	2	Wheel, 8.00 x 1.75
43	260883	1	Manifold	95	002513	2	Screw, 1/4-20 x 1/2 HP5
44	106046	2	Plug, Pipe 1/8 Brass	96	382818	1	Strain Relief
45	260919	1	Weight	97	329623	4	Screw, In-Plas 8-18 x 5/8
46	002153	6	Screw, #10-24 x 3/8	98	260914	1	Mount, Vac Motor
47	260917	1	Plate Cover, Left	99	260766	1	Vac Motor
48	249030	1	Gasket, Cover Right	100	380905	1	Gasket, Vac Motor
49	001976	1	Nut, Hex 1/4-20	101	157376	2	Grommet
50	001907	1	Washer, Lock 1/4				
51	002098	1	Washer, Flat 1/4 SAE				
52	249034	1	Sheave Driven				



## POWER TEMPEST PUMP

Item	Part No.	Qty	Description
1	260928	1	Tube, 1/2 x 8.5
2	244969	1	Clamp, Hose
3	443972	1	Barb, Hose 1/2
4	757289	2	Coupling, NPT
5	260905	1	Filter Inlet
6	753689	2	Nipple, 3/8 NPT x 2" Long
7	757310	2	Elbow, 3/8 NPT
8	752730	1	Nipple, Close 3/8 NPT
9	002124	4	Screw, Pan Head #10-24 x 5/8
10	002605	4	Nut, Flex Lock #10-24
11	261331	1	Tube, PVC 1/2 x 6-1/2
12	155640	1	Barb, Hose 3/8 x 1/4
13	745543	1	Adapter, Bulk Head 1/4
14	900024	1	Elbow, Male St Flare <b>TSB 474 - G6</b>
15	260906	1	Tube Assembly
16	900567	1	Connector Male Flare
17	260904	1	Pump Assembly 115V <b>TSB 430 - G11, TSB 482 - G5</b>
	260940	1	Pump Assembly 230V <b>TSB 430-G11, TSB 482-G5</b>
*	260741	1	Valve Kit
*	260740	1	Diaphragm Kit
*	503013	1	Pressure Switch
*	503030	1	Check Valve Kit
*	260727	1	Pump Head 230V
*	260728	1	Upper Housing Kit

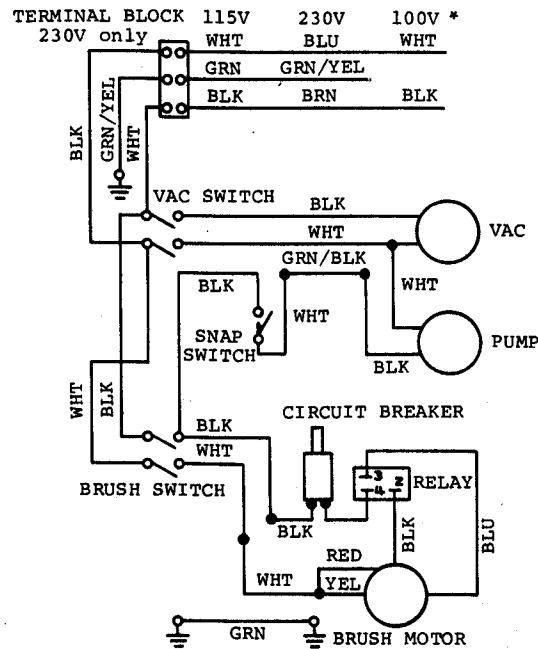
\* = Repair Parts For Pump



\*100V HAS NO GROUND LEAD

017921

TEMPEST



\*100V HAS NO GROUND LEAD

017925

POWER TEMPEST