



Electronic Service Manuals

This electronic document is provided as a service to our customers. We do not create the contents of the information contained in this document. Should you have detailed questions pertaining to the information contained in this document, you may contact Michco, or the manufacturer which provided the original information in this electronic deliverable. Michco's only part in this electronic deliverable was the electronic assembly process.

You may contact Michco through the following methods:
Phone (517) 484-9312 or (800) 331-3339 MI, OH, IN only
2011 N. High St. -- Lansing, Michigan -- 48906
Fax: (517) 484-9836
Email: CustServ@Michco.com
Web site: www.Michco.Com
Parts Web site: www.FloorMachineParts.Com

Order Parts on Line at:
www.FloorMachineParts.Com

Directly to Parts & Service:
By Email: **Shop@Michco.com**
By Fax: (517) 702-2041
By Voice: Use numbers above.

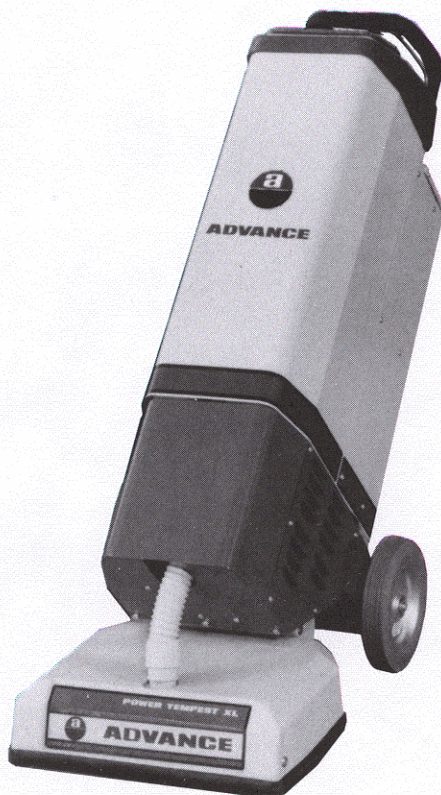
Serving the Cleaning Industry Since 1922

Notice: All copyrighted material remains property of original owners, all trademarks are property of respective owners. Manuals are subject to Manufacturer's reproduction limitations. Originals or reproductions were provided by manufacturers through a request. We make no warranty as to the correctness of information provided in this document and you assume all risk.

POWER TEMPEST XP

MODELS 262000, 262005, 262010

PARTS LIST



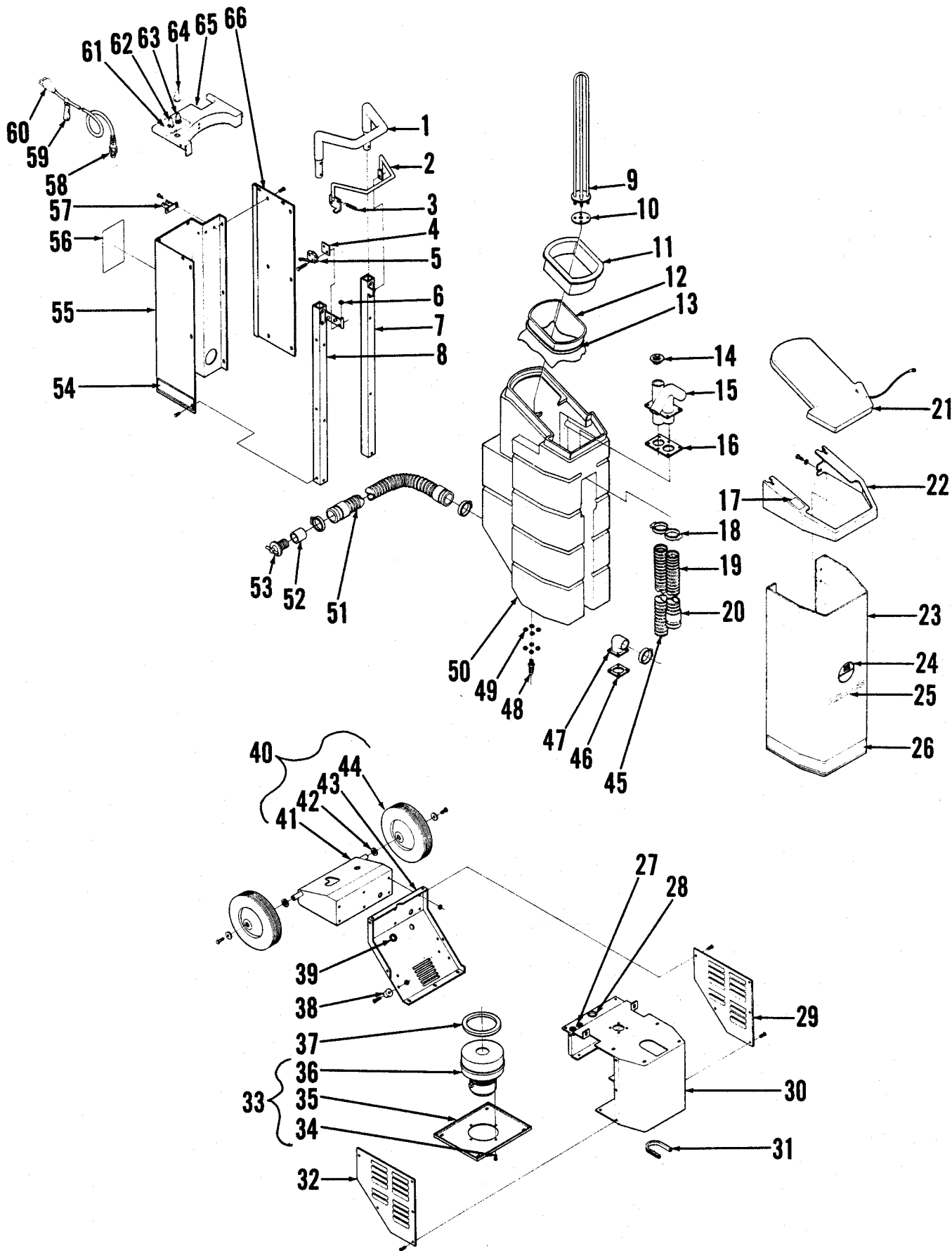
ADVANCE
MACHINE COMPANY

INTERNATIONAL HEADQUARTERS, Plymouth, MN 55447-3408
EUROPE, Llantrisant, Pontyclun, Mid-Glamorgan CF7 8YZ Wales, United Kingdom
CANADA, 1295 Crestlawn Drive, Mississauga, Ontario L4W 1A9



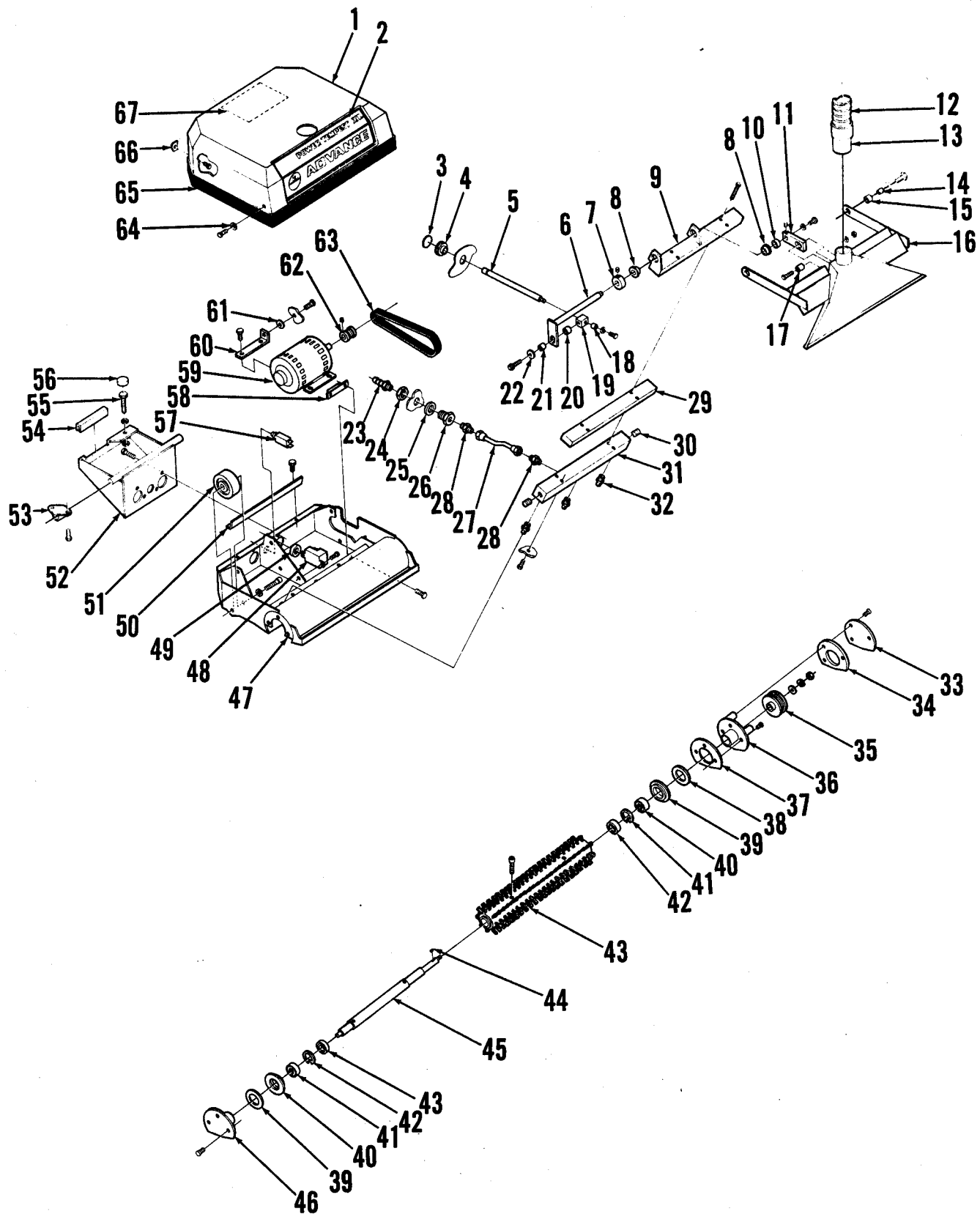
INDEX FOR FORM NUMBER 042190

Description	Location	Page
Base	A8	3
Pump	A10	5
Vacuum Motor & Tanks	A6	1
Vacuum Motor (internal parts)	A14	9
Wiring Diagrams	A12	7



POWER TEMPEST XP

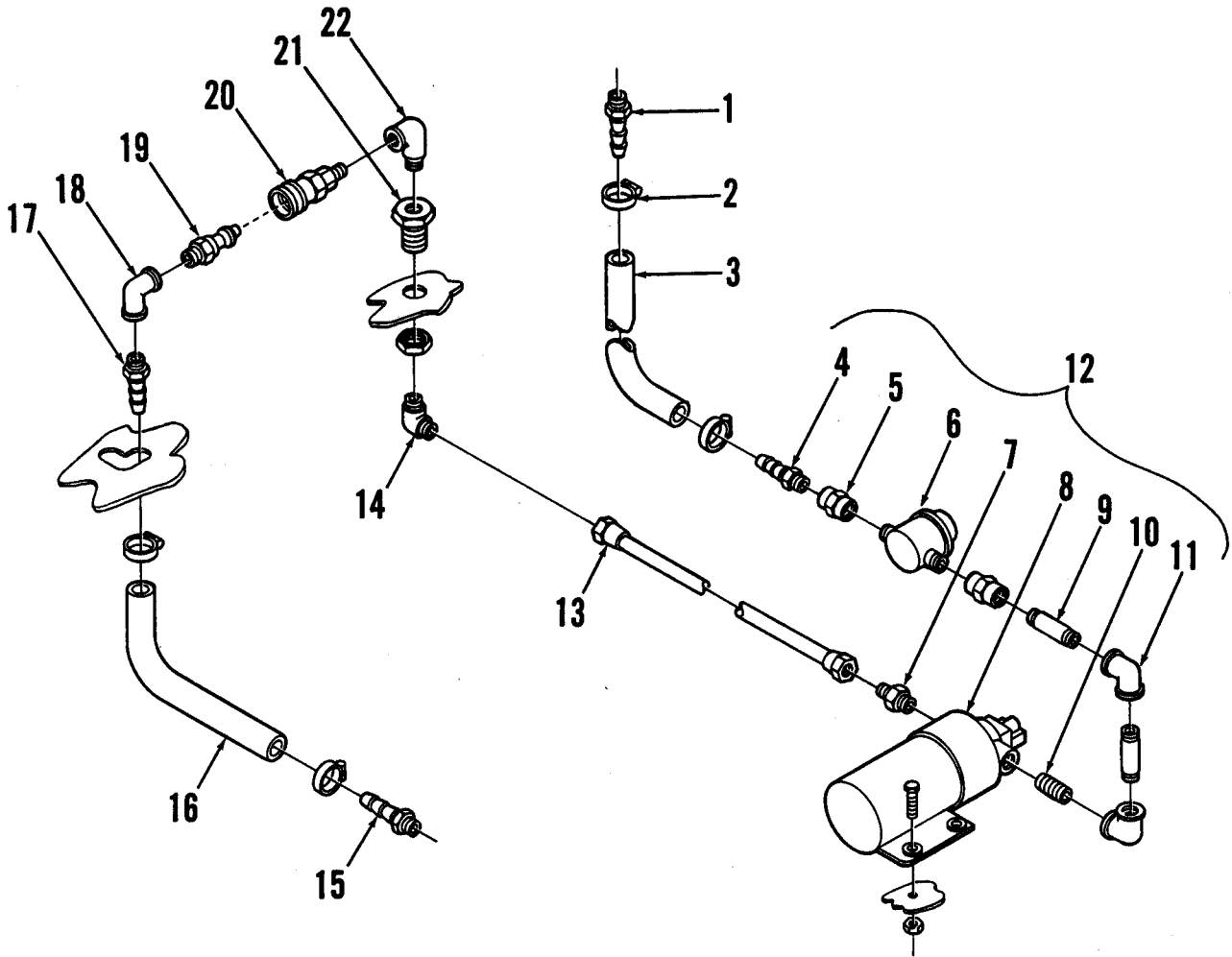
Item	Part No.	Qty	Description	Item	Part No.	Qty	Description
1	262106	1	HANDLE ASSEMBLY	260731	1	CARBON BRUSH SET	
2	260792	1	SWITCH LEVER	37	380905	1	GASKET
3	321087	1	SPRING	38	260923	2	BUMPER
4	260929	1	INSULATOR	39	382818	1	STRAIN RELIEF
5	358992	1	SWITCH	40	262074	1	WHEEL ASSEMBLY
6	260845	1	FASTENER	41	262075	1	WHEEL MOUNT
7	262070	1	LEFT TUBE	42	155373	2	SPRING WASHER
8	262071	1	RIGHT TUBE	43	262077	1	BASE PLATE
9	262032	1	INNER SUPPORT	44	262103	2	WHEEL
10	262035	2	GASKET	45	262046	1	VACUUM HOSE
11	262031	1	TOP SUPPORT	46	262053	1	GASKET
12	262025	1	BLADDER	47	262050	1	ELBOW
13	262089	2	TIE WRAP	48	443972	1	BARB
14	262042	1	SCREEN	49	900737	4	SEALING WASHER
15	262036	1	RECOVERY TUBE	50	262023	1	TANK
16	262041	1	GASKET	51	372222	1	DRAIN HOSE
17	014437	1	DECAL, PUMP SWITCH	52	376940	1	TUBE
18	329145	5	HOSE CLAMP	53	376948	1	PLUG
19	262047	1	RECOVERY HOSE	54	014371	2	DECAL, SIDE STRIPE
20	376940	1	HOSE CUFF	55	262091	1	REAR PANEL
21	262056	1	COVER ASSEMBLY	56	014828	1	DECAL, WARNING 100V, 115V
*	262058	1	Gasket for 262056		014204	1	DECAL, WARNING 230V
22	262060	1	COVER	57	262093	1	HOLDER
23	262059	1	TANK SHIELD	58	323046	1	STRAIN RELIEF
24	014056	1	DECAL, LOGO	59	300187	1	BELT CLIP
25	014059	1	DECAL, ADVANCE	60	584968	1	POWER CORD 115V
26	014055	1	DECAL, STRIPE		245026	1	POWER CORD 100V
27	157376	2	GROMMET		301309	1	POWER CORD 230V
28	477514	1	GROMMET	61	014152	1	DECAL, SWITCH
29	260848	1	LEFT COVER	62	207071	1	SWITCH 115V, 100V
30	262078	1	FRAME		301636	1	SWITCH 230V
31	755581	1	TRIM	63	468359	1	SWITCH 115V, 100V
32	260847	1	RIGHT COVER		260989	1	SWITCH 230V
33	260844	1	VAC MOTOR ASSY 100V, 115V	64	756514	2	BOOT
	260941	1	VAC MOTOR ASSY 230V	65	262092	1	REAR PANEL COVER
34	329623	4	SCREW	66	262098	1	SIDE PANEL
35	260914	1	MOTOR MOUNT 100V, 115V	67	262063	1	SWITCH PLATE ASSY 115V
	260958	1	MOTOR MOUNT 230V				(#55-66)
36	260766	1	VACUUM MOTOR 100V, 115V	262110	1	SWITCH PLATE ASSY 100V	
	260950	1	CARBON BRUSH SET	262083	1	SWITCH PLATE ASSY 230V	
	260771	1	VACUUM MOTOR 230V				



POWER BRUSH

Item	Part No.	Qty	Description	Item	Part No.	Qty	Description
	260870	1	Power Brush Assy 115V	40	228051	2	Ball Bearing
	262090	1	Power Brush Assy 100V	41	249050	2	Retaining Ring
	262084	1	Power Brush Assy 230V	42	228049	2	Seal
1	260894	1	Shroud	43	249012	1	Brush
2	014223	1	Decal, Power Tempest	44	151718	1	Key
3	014145	1	Decal, Knob	45	249014	1	Axle Shaft
4	475480	1	Knob	46	260921	1	Right Hub
5	260877	1	Shaft	47	260865	1	Frame
6	260880	1	Rod	48	321610	1	Relay 115V
7	331076	2	Collar		322407	1	Relay 230V
8	491646	2	Flange Bearing	49	382818	1	Bushing
9	260884	1	Bar	50	260864	1	Support
10	385356	1	Bushing	51	260895	2	Wheel
11	260879	1	Arm	52	260900	1	Brace
12	262046	1	Recovery Hose	53	387304	1	Right Axle Block
13	376940	1	Hose Cuff	*	387306	1	Left Axle Block
14	368989	2	Bushing	54	260978	1	Bumper
15	368970	2	Bearing	55	401783	1	Leveler
16	260875	1	Shoe	56	401788	1	Cap
17	475411	1	Bushing	57	228414	1	Circuit Breaker 115V
18	260933	1	Bushing		329185	1	Circuit Breaker 100V
19	260878	1	Block		290425	1	Circuit Breaker 230V
20	491658	1	Bearing	58	260898	1	Clamp
21	200123	1	Bushing	59	260962	1	Motor 115V TSB537, G-4
22	706083	3	Washer		228428	1	Motor 100V
23	104299	1	Barb		260770	1	Motor 230V
24	159247	1	Nut	60	249054	1	Bracket 115V, 230V
25	760148	1	Washer		260935	1	Motor Mount 100V
26	249335	1	Anchor	61	388762	1	Washer
27	260912	1	Tube Assy	62	249039	1	Sheave
28	900025	2	Connector	63	249040	1	Belt
29	260919	1	Weight	64	449340	2	Washer
30	106046	2	Plug	65	260897	1	Bumper
31	260883	1	Manifold	66	291224	2	Clip
32	262099	3	Nozzle	67	014154	1	Decal, Wiring 115V
33	260917	1	Left Cover		014155	1	Decal, Wiring 100V
34	249030	1	Gasket		014324	1	Decal, Wiring 230V
35	249034	1	Sheave	*	387554	1	Varistor Assy 100V
36	260922	1	Left Hub	*	180162	1	Rectifier 100V
37	249032	1	Gasket				
38	249036	2	Nylon Washer				
39	228062	2	Rubber Washer				

* = Not Shown

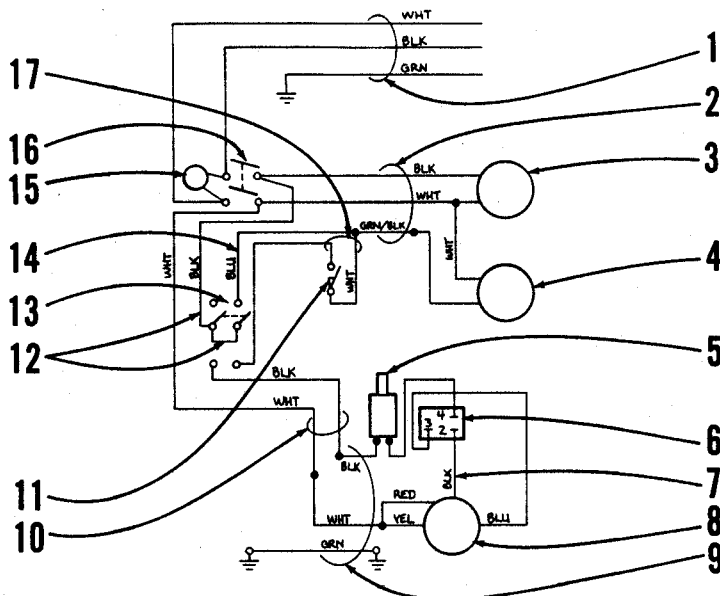


PUMP ASSEMBLY

Item	Part No.	Qty	Description
1	443972	1	Barb
2	219932	4	Hose Clamp
3	262087	1	Hose
4	443972	1	Barb
5	757289	2	Coupling
6	260905	1	Inlet Filter
7	900567	1	Connector
8	262101	1	Pump 100V, 115V
	262109	1	Pump 230V
*	260741	1	Valve Kit (for 262101 & 262109)
*	260740	1	Diaphragm Kit (for 262101 & 262109)
*	503014	1	Pressure Switch (for 262101 & 262109)
*	260728	1	Upper Housing Kit (for 262101 & 262109)
*	503030	1	Check Valve Repair Kit (for 262101 & 262109)
9	753689	2	Nipple
10	752730	1	Nipple
11	757310	2	Elbow
12	262102	1	Pump Assembly 100V, 115V
	262108	1	Pump Assembly 230V
13	262086	1	Copper Tube
14	900140	1	Elbow
15	104299	1	Barb
16	262085	1	Hose
17	155640	1	Barb
18	340782	1	Elbow
19	249857	1	Quick Disconnect Plug
20	249568	1	Quick Disconnect Coupling
21	745543	1	Adapter
22	369632	1	Elbow

* = Repair Parts For Pump

115V



WIRING DIAGRAMS

I	PART #	QTY	DESCRIPTION
1	584968	1	POWER CORD
2	260763	1	CORD ASSEMBLY
3	260766	1	VACUUM MOTOR
4	262101	1	PUMP
5	228414	1	CIRCUIT BREAKER
6	321610	1	RELAY
7	260857	1	WIRE ASSEMBLY
8	260962	1	BRUSH MOTOR
9	260808	1	CORD ASSEMBLY
10	260859	1	CORD ASSEMBLY
11	358992	1	SWITCH
12	260855	2	WIRE ASSEMBLY
13	468359	1	SWITCH
14	262069	1	WIRE ASSEMBLY
15	250168	1	VARISTOR
16	207071	1	SWITCH
17	260819	1	CORD ASSEMBLY
18	245026	1	POWER CORD
19	387554	1	VARISTOR
20	180162	1	RECTIFIER
21	228428	1	BRUSH MOTOR
22	260956	1	CORD ASSEMBLY
23	329185	1	CIRCUIT BREAKER
24	301309	1	POWER CORD
25	183523	1	TERMINAL BLOCK
26	260987	1	CORD ASSEMBLY
27	260771	1	VACUUM MOTOR
28	262109	1	PUMP
29	290425	1	CIRCUIT BREAKER
30	322407	1	RELAY
31	260963	1	BRUSH MOTOR
32	260988	1	CORD ASSEMBLY
33	260986	1	CORD ASSEMBLY
34	260990	2	WIRE ASSEMBLY
35	260989	1	SWITCH
36	301636	1	SWITCH
37	260960	1	WIRE ASSEMBLY
38	260961	1	WIRE ASSEMBLY
39	260959	1	WIRE ASSEMBLY

VACUUM MOTOR

I	PART #	QTY	DESCRIPTION
1	260949	1	COOLING FAN
2	260950	1	CARBON BRUSH/SET - 115V
	260731	1	CARBON BRUSH/SET - 230V
3	260951	1	BALL BEARING
4	228051	1	BALL BEARING
5	260952	1	WASHER
6	372584	1	SPACER
7	260953	1	FAN
8	372588	1	ROTATING FAN, 115V ONLY
	260732	1	ROTATING FAN, 230V ONLY
9	203516	2	SPACER
10	377485	1	STATIONARY FAN
11	372588	1	ROTATING FAN, 115V ONLY
	260733	1	ROTATING FAN, 230V ONLY
12	377486	1	STATIONARY FAN, 115V ONLY
13	203516	1	SPACER, 115V ONLY
14	372588	1	ROTATING FAN, 115V ONLY
15	260955	1	FAN SHELL

