



Electronic Service Manuals

This electronic document is provided as a service to our customers. We do not create the contents of the information contained in this document. Should you have detailed questions pertaining to the information contained in this document, you may contact Michco, or the manufacturer which provided the original information in this electronic deliverable. Michco's only part in this electronic deliverable was the electronic assembly process.

You may contact Michco through the following methods:
Phone (517) 484-9312 or (800) 331-3339 MI, OH, IN only
2011 N. High St. -- Lansing, Michigan -- 48906
Fax: (517) 484-9836
Email: CustServ@Michco.com
Web site: www.Michco.Com
Parts Web site: www.FloorMachineParts.Com

Order Parts on Line at:
www.FloorMachineParts.Com

Directly to Parts & Service:
By Email: **Shop@Michco.com**
By Fax: (517) 702-2041
By Voice: Use numbers above.

Serving the Cleaning Industry Since 1922

Notice: All copyrighted material remains property of original owners, all trademarks are property of respective owners. Manuals are subject to Manufacturer's reproduction limitations. Originals or reproductions were provided by manufacturers through a request. We make no warranty as to the correctness of information provided in this document and you assume all risk.

HYDRODRY
MODEL AD100

PARTS LIST



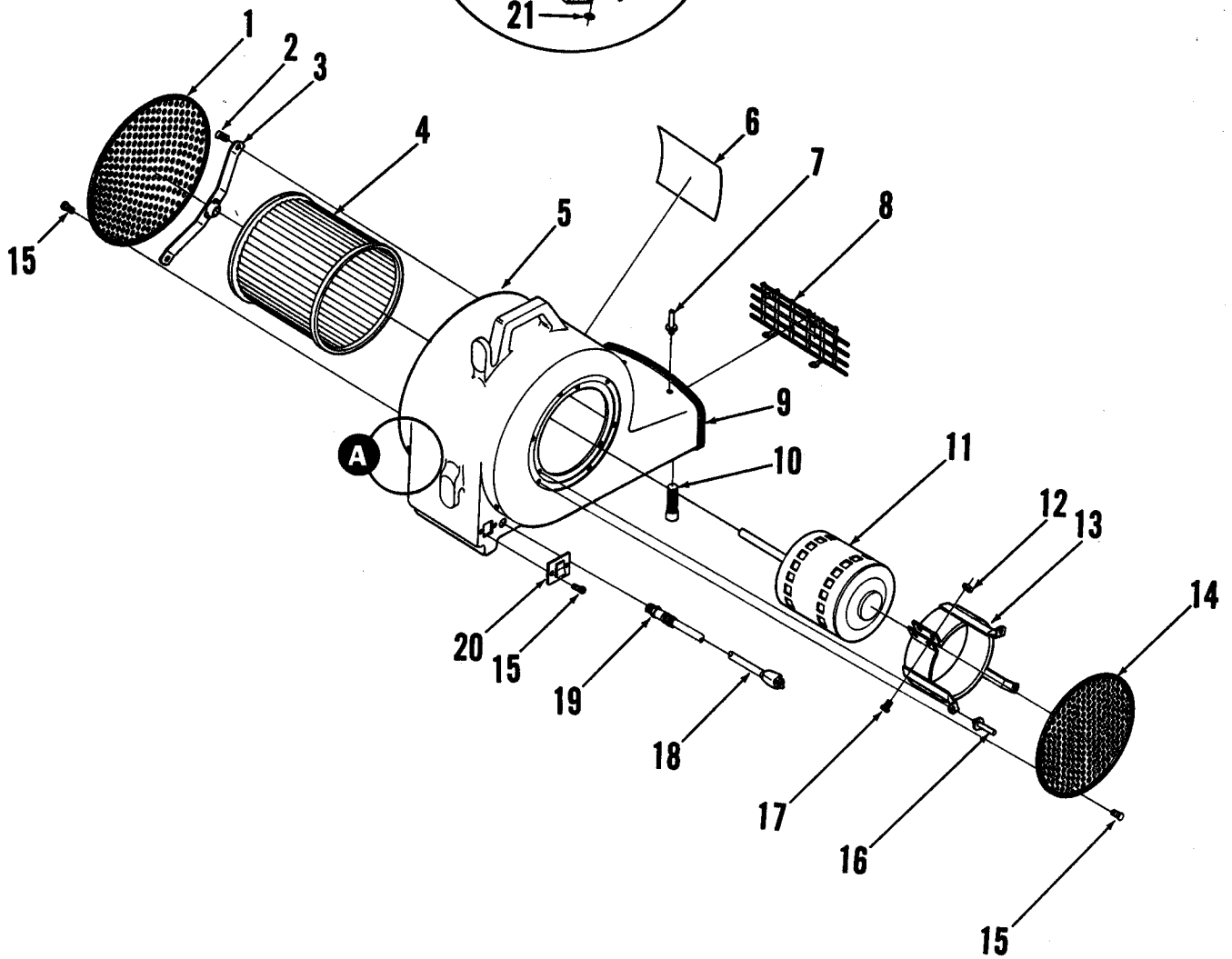
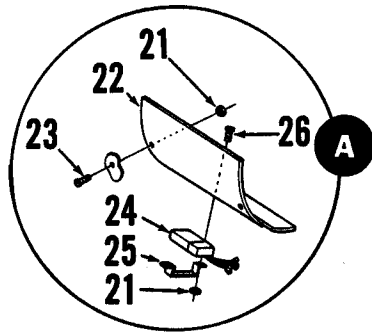
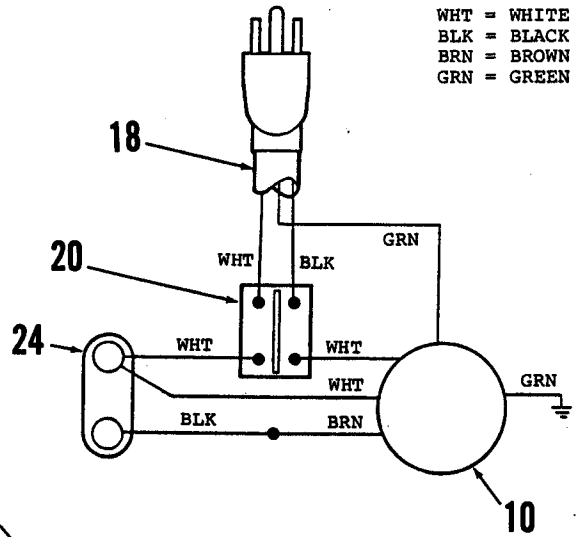
ADVANCE
MACHINE COMPANY

INTERNATIONAL HEADQUARTERS, Spring Park, Minnesota 55384-0275
EUROPE, Llantrisant, Pontyclun, Mid-Glamorgan CF7 8YZ, Wales, United Kingdom
CANADA, 1295 Crestlawn Drive, Mississauga, Ontario L4W 1A9



© 1986 Advance Machine Co. FORM NO. 042 151 3/86

WHT = WHITE
BLK = BLACK
BRN = BROWN
GRN = GREEN



#	PART NO.	Q	DESCRIPTION
1	259 020	1	INTAKE SCREEN
2	002 314	2	FLAT HEAD SCREW
3	259 029	1	BEARING BRACKET
4	259 026	1	IMPELLER FAN
5	259 028	1	FAN HOUSING
6	017 768	1	DECAL
7		4	POP RIVET
8	259 023	1	EXHAUST GRILL
9	259 035	1	TRIM
10	259 033	2	ADJUSTABLE LEG
11	259 025	1	BLOWER MOTOR
12	002 040	4	HEX NUT
13	259 024	1	MOTOR BRACKET
14	259 021	1	INTAKE SCREEN
15	002 414	14	SCREW
16	259 022	3	POP RIVET
17	001 833	2	HEX HEAD SCREW
18	259 032	1	POWER CORD
19	259 031	1	STRAIN RELIEF
20	259 036	1	LIGHTED ROCKER SWITCH
21	002 349	4	HEX NUT
22	259 037	1	BAFFLE PLATE
23	002 540	2	SCREW
24	259 027	1	CAPACITOR
25	259 030	1	CAPACITOR CLAMP
26	001 993	2	SCREW