



Electronic Service Manuals

This electronic document is provided as a service to our customers. We do not create the contents of the information contained in this document. Should you have detailed questions pertaining to the information contained in this document, you may contact Michco, or the manufacturer which provided the original information in this electronic deliverable. Michco's only part in this electronic deliverable was the electronic assembly process.

You may contact Michco through the following methods:
Phone (517) 484-9312 or (800) 331-3339 MI, OH, IN only
2011 N. High St. -- Lansing, Michigan -- 48906
Fax: (517) 484-9836
Email: CustServ@Michco.com
Web site: www.Michco.Com
Parts Web site: www.FloorMachineParts.Com

Order Parts on Line at:
www.FloorMachineParts.Com

Directly to Parts & Service:
By Email: **Shop@Michco.com**
By Fax: (517) 702-2041
By Voice: Use numbers above.

Serving the Cleaning Industry Since 1922

Notice: All copyrighted material remains property of original owners, all trademarks are property of respective owners. Manuals are subject to Manufacturer's reproduction limitations. Originals or reproductions were provided by manufacturers through a request. We make no warranty as to the correctness of information provided in this document and you assume all risk.

Aquamatic™ 26BF



PARTS LIST **Advance MODEL 56261000**



Advance
by Nilfisk-Advance

DESCRIPTION	PAGE
CHASSIS ASSEMBLY	4-5
CONTROL HANDLE ASSEMBLY	6-7
SOLUTION TANK ASSEMBLY	8-9
RECOVERY TANK ASSEMBLY	10-11
WIRING DIAGRAM	12-13
FOAM / DEFOAMER TANKS	14-15
WHEEL DRIVE / BRAKE	16-17
BRUSH DRIVE ASSEMBLY	18-19
VACUUM TOOLS AND LINKAGE	20-21

WHEN ORDERING PARTS

- * Use the 8 digit numbers from the "Ref. No." columns in this parts list.
- * Specify the model and serial number of the machine.
- * Use the space below to record the model and serial number for future reference.

Model _____ Serial No. _____

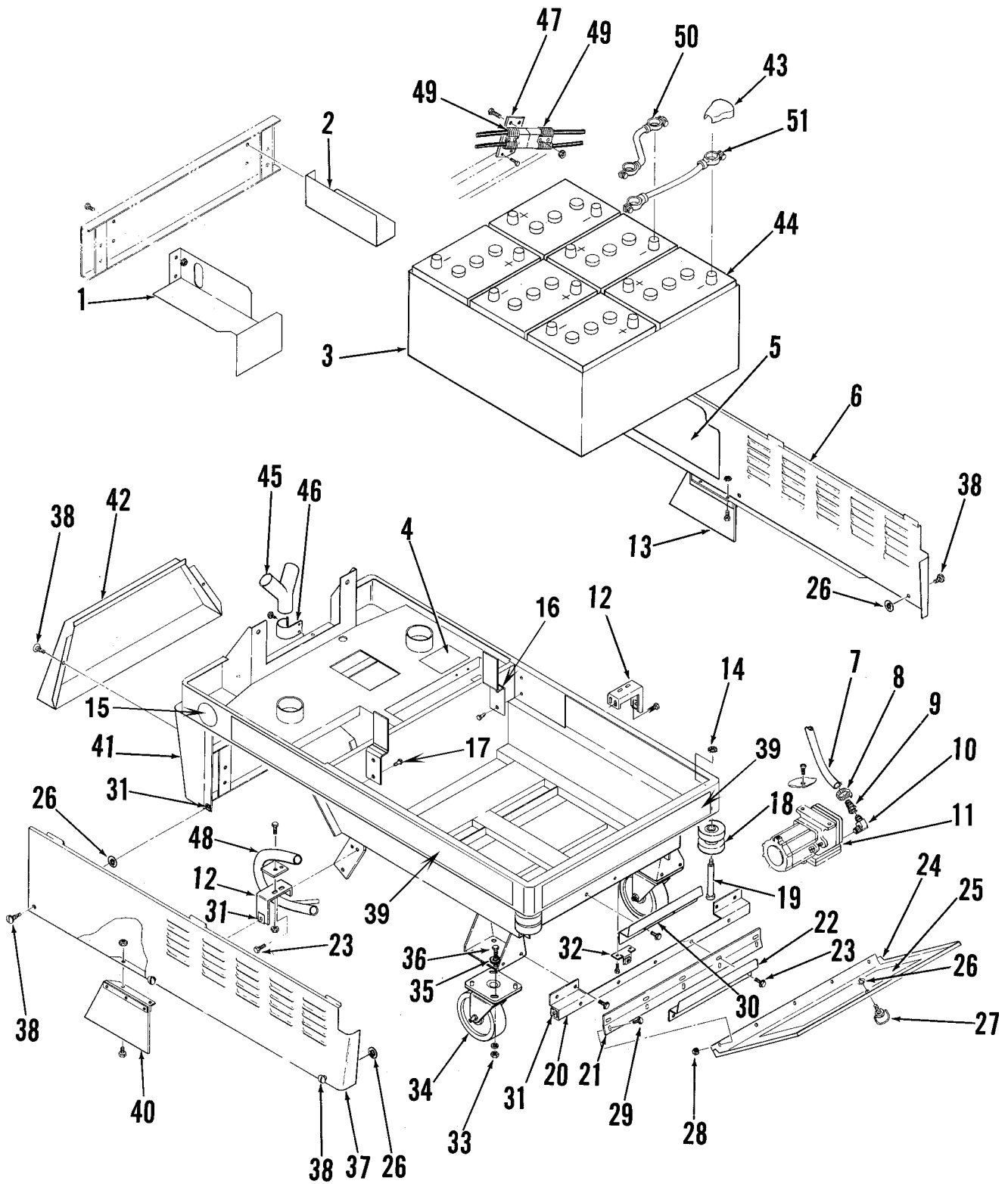
CHASSIS ASSEMBLY

87-2

4

Aquamatic™ 26BF

00-9



87-2	CHASSIS ASSEMBLY		
00-9	Aquamatic™ 26BF		5

Item	Ref. No.	Qty	Description
1	56261292	1	Shield
2	56261293	1	Shield
3	56261045	1	Tray, Battery
4	56017952	1	Decal, Cable Routing
5	56017954	1	Decal, Wiring Diagram
6	56261053	1	Panel, Left
7	56261264	1	Tube
8	56219932	2	Clamp, Hose
9	56104299	1	Barb, 3/8 x 1/8
10	56111309	1	ST Elbow 1/8 NPT
11	56261047	1	Compressor, 36V
12	56261016	2	Bracket
13	56261280	1	Blade Assembly Left
14	56001806	6	Nut, Whiz W/Flange
15	56017019	2	Decal, Logo
16	56264494	2	Support
17	56009019	4	Scr, Hex Hd Thd Form 1/4-20 x .38
18	56363855	4	Wheel, 2.50 x .812
19	56261021	2	Screw, Shoulder
20	56261056	1	Bracket, Hinge
21	56261057	1	Hinge, 2 x 21
22	56261273	1	Tray
23	56002530	9	Screw, Hex Washer Head 1/4-20 x 3/8 HP
24	56261055	1	Panel Door
25	56017961	1	Decal
26	56380137	9	Retainer
27	56380132	1	Fastener
28	56002565	5	Nut, Keps #10-24
29	56002043	5	Screw, PH Pan Head #10-24 x 3/8
30	56261272	1	Tray
31	56380141	9	Receptacle
32	56261042	1	Bracket, Retainer
33	56001806	8	Nut, Whiz W/Flange 5/16-18
34	56261034	2	Caster, 5.00
35	56001939	8	Washer, SAE 5/16-18
36	56002035	8	Screw, Hex Head Cap 5/16-18 x .62
37	56261052	1	Panel, Right
38	56261054	8	Fastener
39	56810014	1	Decal, Nest
40	56261281	1	Blade Assembly Right
41	56261051	1	Chassis Weldment
42	56261018	1	Cover
43	56372673	12	Boot, Battery Post
44	56376014	6	Battery
45	56261176	1	Adapter Weldment
46	56404338	1	Clamp, Adapter
47	56261342	1	Bracket
48	56261327	1	Tube Weldment
49	56261236	1	Connector Assembly, Dual
	56261237	1	Connector Assembly, Dual TSB 730
50	56363928	4	Cable Assembly Battery 4 x 10 TSB 730
51	56363936	1	Cable Assembly Battery 4 x 15 TSB 730

87-2

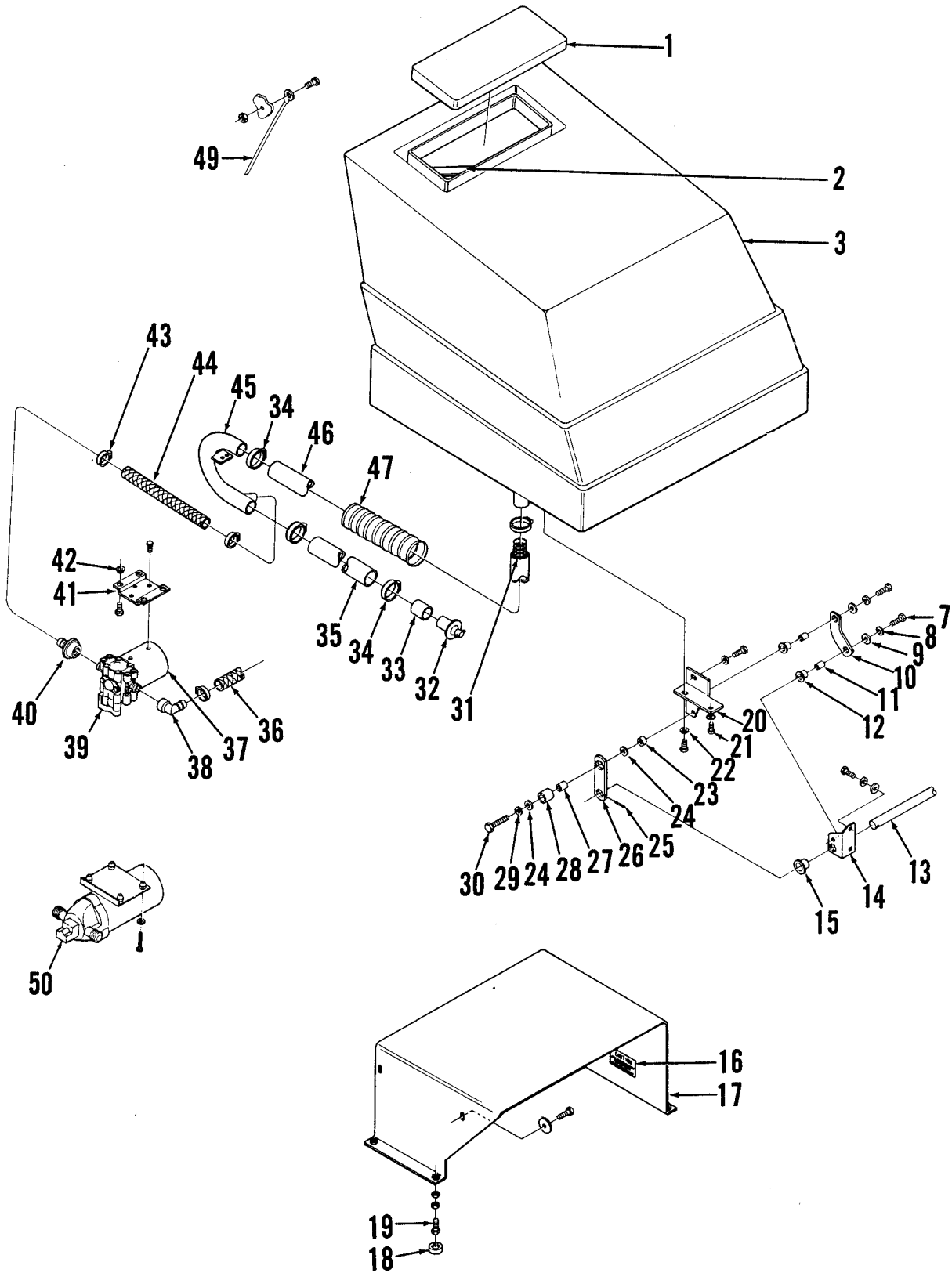
CONTROL HANDLE ASSEMBLY

00-9

Aquamatic™ 26BF**7**

Item	Ref. No.	Qty	Description	Item	Ref. No.	Qty	Description
1	56017951	1	Decal, Control Panel	37	56261220	2	Switch, Snap DPST N.O.
2	56365223	2	Knob, 1.25 x .250	38	56180275	1	Circuit Breaker, 15A
3	56261087	1	Control Panel Weldment	39	56395454	2	Circuit Breaker, 20A
4	56002695	4	Screw, Pan Head #6-32 x 1-1/4	40	56364294	1	Circuit Breaker, 45A
5	56388019	1	Switch, Snap DPST N.C.	41	56217859	1	Switch, Toggle SPDT
6	56261103	1	Rod	42	56015379	1	Decal, Warning
7	56261102	1	Coupler	43	56261245	2	Switch, Rocker DPDT
8	56261262	1	Hose	44	56376348	1	Switch, Rocker SPST
9	56112771	1	Clamp, Hose	45	56467410	1	Indicator Light 28V
10	56900648	1	Bar, 3/4 x 1/2	46	56448677	1	Meter Battery Condition
11	56900647	1	Adapter	47	56388545	2	Grip
12	56261255	1	Valve, 2-Way	48	56761452	1	Switch, Snap SPDT
13	56443972	1	Barb 1/2 x 3/8	49	56385747	4	Nut Plate
14	56219932	2	Clamp, Hose	50	56261084	1	Cam Weldment
15	56261263	1	Hose	51	56395452	2	Contactora 36V
16	56261260	1	Hose, Nylon	52	56002530	22	Screw, Hex Washer Head 1/4-20 x 3/8 HP-5
17	56261244	1	Connector	53	56388534	S	Solenoid Contactora SPDT
18	56159247	1	Nut, Hex 5/8-18 Brass	54	56002519	4	Screw, Hex Washer Head #10-24 x 3/8 HP-5
19	56261253	1	Anchor Connection	55	56467470	1	Resistor .9
20	56261242	1	Nozzle TSB 584 - F13	56	56055676	1	Decal, Brake
21	56261261	1	Hose, Nylon	57	56261068	1	Cover
22	56261243	4	Elbow, Male 5/16 Hose 1/4 NPT	58	56449340	9	Washer, Finishing #10
23	56261259	1	Nut, 3/4-16 Brass	59	56002547	9	Screw, Oval Head #10-24 x 3/8 HP-5
24	56261258	1	Anchor Connection	60	56261221	2	Resistor, 1.35
25	56249568	1	Quick Connector Coupling	61	56469858	2	Insulated Stand-Off
26	56249857	1	Quick Connector, Male	62	56261219	1	Relay
27	56340782	1	Elbow, 1/4 NPT	63	56261229	1	Panel, Electrical
28	56261250	1	Hose	64	56385615	1	Switch, Snap SPST N.O.
29	56373456	1	Barb, 1/2 x 1/4 Male	65	56025363	1	Decal, Caution
30	56220526	1	Coupling, 1/4 Brass	66	56261104	1	Bracket Weldment
31	56261271	1	Valve, Check TSB 606 - G11	67	56261064	2	Tube
32	56261252	1	Hose	68	56261066	4	Bushing
33	56150223	1	Nipple, Close Brass	69	56261097	2	Bearing
34	56261254	1	3-Way Valve	70	56358560	1	Spring
35	56002279	3	Screw, Socket Set #8-32 x 1/4	71	56388599	2	Eye Bolt
36	56261101	1	Cam	72	56002349	4	Nut, Hex Machine #10-24
				73	56219886	1	Sleeve
				74	56261257	1	Bracket
				*	56261267	1	Linkage Guide Plate

* = Not Shown



87-2

SOLUTION TANK ASSEMBLY

00-9

Aquamatic™ 26BF**9**

Item	Ref. No.	Qty	Description	Item	Ref. No.	Qty	Description
1	56261204	1	Cover	26	56261309	2	Bar
2	56261344	1	Sight Gauge	27	56228052	2	Bushing
3	56261194	1	Solution Tank	28	56366633	2	Bearing Sleeve
7	56002155	8	Screw, 1/4-20 x 3/4	29	56001905	2	Lock Washer, Shakeproof 5/16
8	56001803	8	1/4 Shakeproof Lock Washer	30	56002696	2	Screw, 5/16-18 x 1-1/4
9	56002098	8	1/4 Flat Washer	31	56245010	1	Spring, Comp
10	56261301	2	Lever	32	56260098	1	Plug 1.00
11	56368989	4	Bushing	33	56261297	2	Tube
12	56324505	4	Bearing Flange	34	56131601	4	Hose Clamp SAE 16
13	56261310	1	Rod	35	56261249	1	Tube
14	56261311	1	Bracket Left	36	56261250	1	Hose
	56261312	1	Bracket Right	37	56261217	1	Motor, 36V TSB 584 - F13
15	56185264	2	Bearing Flange	38	56261246	1	Elbow, 1/2 x 1/2
16	56016116	1	Decal, Caution	39	56261211	1	Pump TSB 584 - F13
17	56261321	1	Support Tank	*	56260743	1	Pressure Switch
18	56401788	4	Cap, Snap	*	56260745	1	Valve Kit
19	56401783	4	Leveler	40	56261247	1	Filter
20	56261304	1	Bracket Weldment Left	41	56261065	1	Bracket, Pump
	56261305	1	Bracket Weldment Right	42	56321559	4	Grommet
21	56002152	6	Screw, Brass 1/4-20 x 1/2	43	56219932	3	Hose, Clamp SAE 6
22	56002536	3	Washer, Flat Brass 1/4	44	56261331	1	Tube
23	56320595	2	Bushing	45	56261327	1	Tube Weldment
24	56001939	4	Washer, 5/16 SAE	46	56261248	1	Tube
25	56469872	2	Spring Pin 1/4 x 1	47	56261333	1	Hose
				49	56261189	1	Rope Assembly
				50	56261010	1	Pump (after SN 305191)
				*	56260740	1	Diaphragm Kit
				*	56260741	1	Valve Kit
				*	56503014	1	Pressure Switch
				*	56503030	1	Check Valve Repair Kit

* = Not Shown

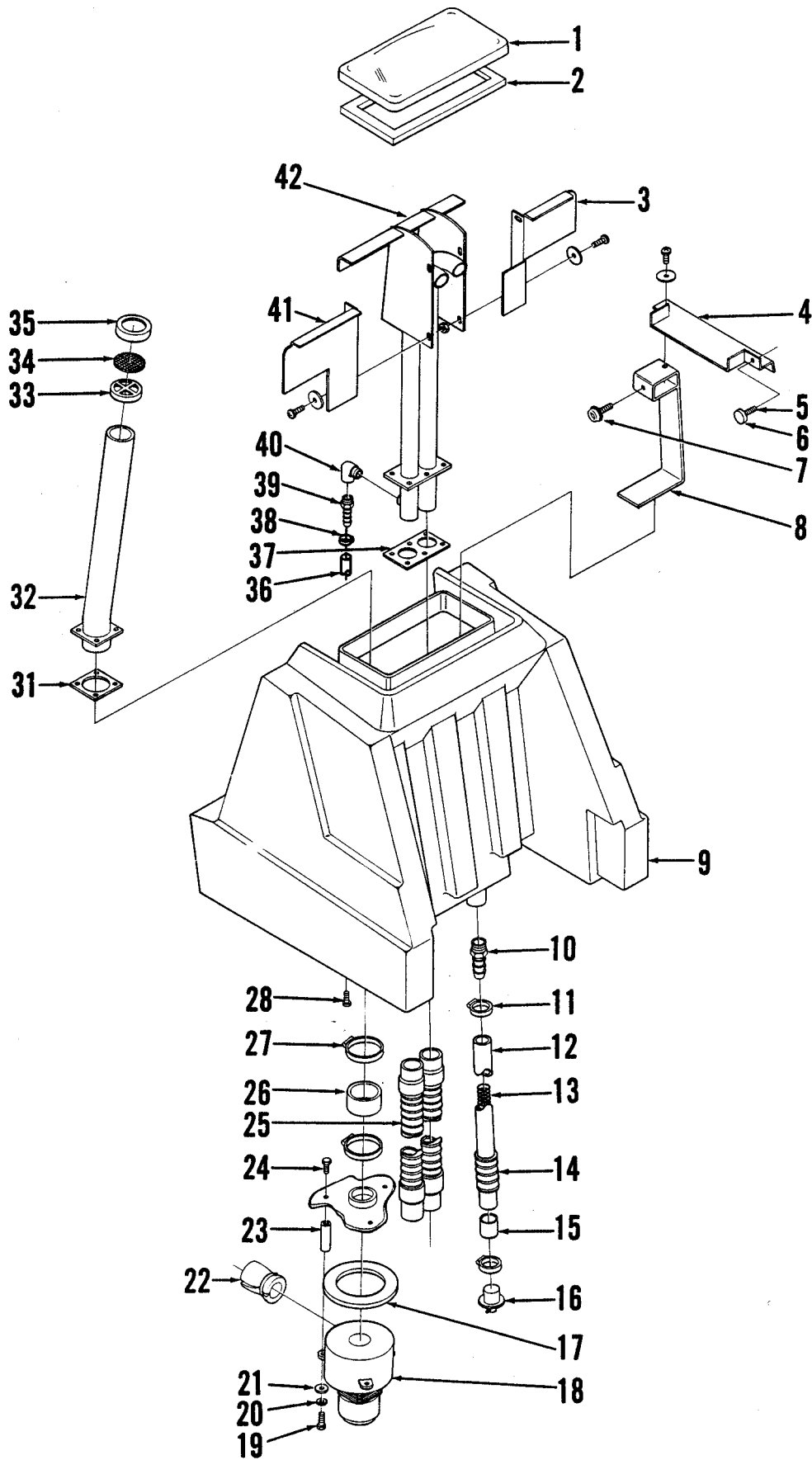
RECOVERY TANK ASSEMBLY

87-2

10

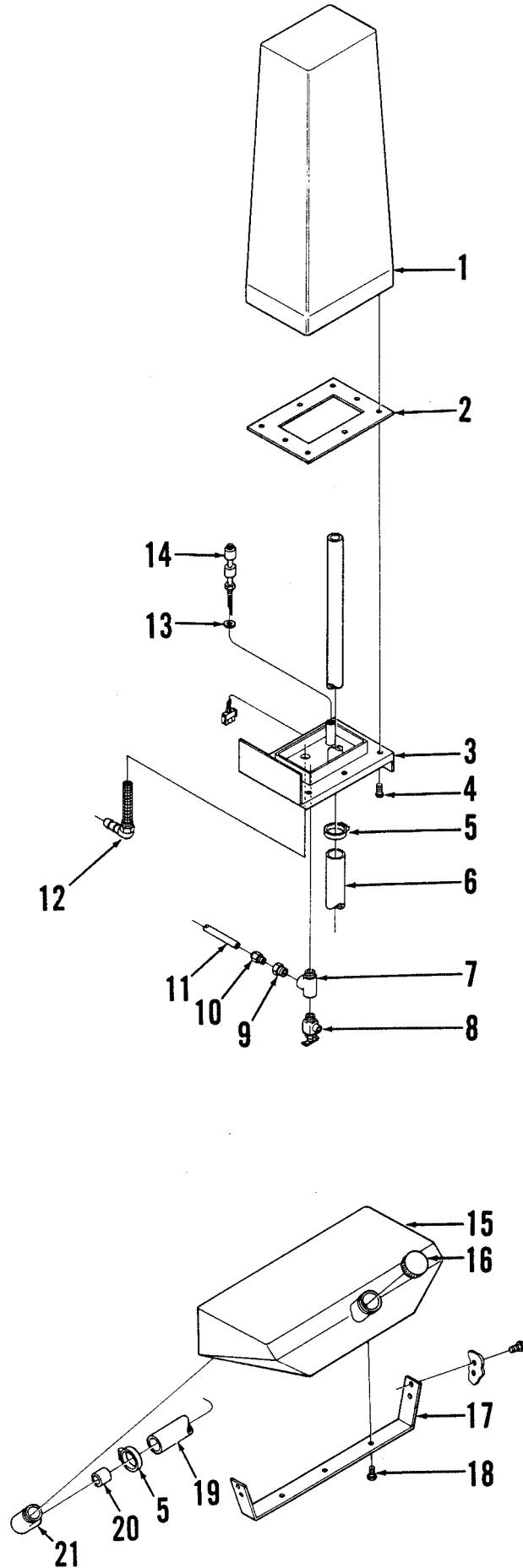
Aquamatic™ 26BF

00-9



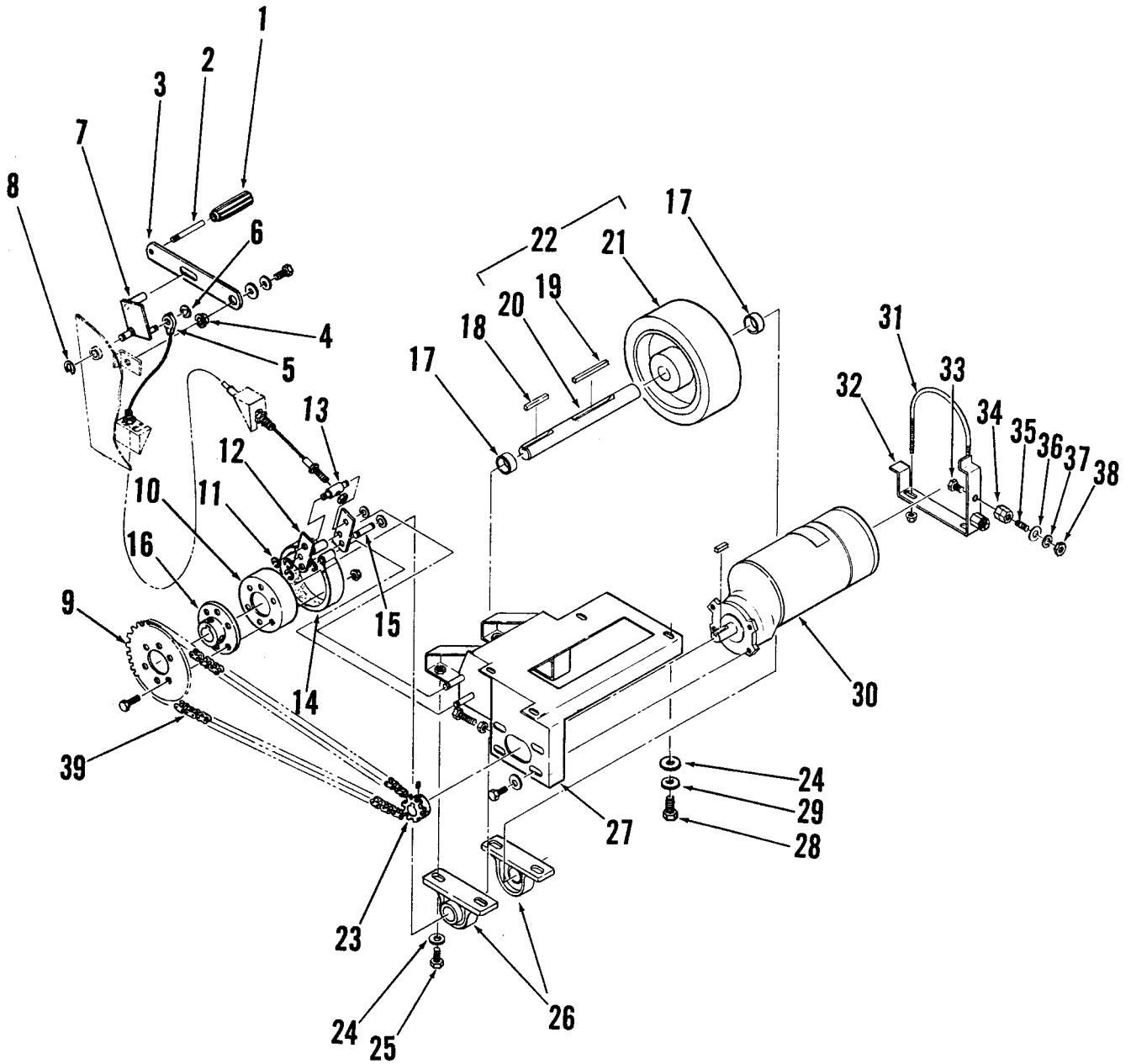
87-2	RECOVERY TANK ASSEMBLY		
01-11	Aquamatic™ 26BF		11

Item	Ref. No.	Qty	Description
1	56261207	1	Dome Tank TSB 533 - G5
2	56261183	1	Gasket Tank
3	56261322	1	Baffle, Left
4	56261336	1	Support Weldment, Left
5	56401783	2	Leveler Tank
6	56401788	2	Cap, Snap-On 3/4 Hex
7	56449221	2	Bumper
8	56261339	2	Support Weldment
9	56261196	1	Recovery Tank
10	56743086	1	Hose, Barb 1 x 3/4
11	56131601	2	Clamp, Hose
12	56261315	1	Hose
13	56245010	1	Spring
14	56261332	1	Hose TSB 567 - G4
15	56261297	1	Tube
16	56260098	1	Plug
17	56385437	2	Gasket 4.8 ID x 6.2 OD
18	56377470	2	Motor, Vacuum 36V
	56377001	1	Replacement carbon brushes for 56377470 (1 per motor)
19	56002155	6	Screw, Hex Head Cap 1/4-20 x 3/4
20	56001803	6	Lock Washer, Shakeproof 1/4
21	56002098	6	Washer, SAE 1/4
22	56261276	2	Foam, Acoustical
23	56377475	6	Stand-Off
24	56001854	6	Screw, Hex Head Cap 1/4-20 x 1/2
25	56261314	2	Hose Assembly
26	56261313	2	Hose
27	56352829	4	Hose Clamp
28	56209486	14	Screw, S.S. #10 x .75 NC
31	56260120	2	Gasket Tank
32	56261180	2	Tube Weldment
33	56261294	2	Cup, Tube
34	56260176	2	Screen
35	56261295	2	Cup, Screen
36	56261263	1	Hose
37	56261203	1	Gasket, Tank
38	56219932	1	Clamp, Hose
39	56444006	1	Barb, Brass 3/4 x 3/4
40	56369632	1	Elbow ST 1/4
41	56261323	1	Baffle, Right
42	56261199	1	Tube Weldment



87-2	FOAM / DEFOAMER TANKS		
00-11	Aquamatic™ 26BF		15

Item	Ref. No.	Qty	Description
1	56261184	1	Tank, Foam
2	56261193	1	Gasket, Foam Tank
3	56261190	1	Cover Weldment
4	56209485	8	Screw, Pan Head SS 10-24 x 1/2
5	56112771	2	Hose Clamp SAE 10
6	56261265	1	Tube
7	56365222	1	Tee, Street 1/4 BR
8	56386420	1	Valve, Drain 1/4
9	56740214	1	Bushing, Pipe
10	56261244	1	Connector, Male 1/8 NPT 5/16 Hose
11	56261252	1	Hose, 5/16 Nylon
12	56244987	1	Bubbler
13	56744660	1	Washer, Sealing
14	56261222	1	Float Switch Assembly TSB 740
15	56261186	1	Tank, Defoam
16	56261188	1	Cap, Defoam Tank
17	56261049	1	Bracket, Defoam Tank
18	56002001	3	Screw, PH Pan Head 10-32 x 3/8
19	56261262	1	Tube
20	56261297	1	Tube
21	56458402	1	Elbow, ST



87-2	WHEEL DRIVE / BRAKE		
00-9	Aquamatic™ 26BF		17

Item	Ref. No.	Qty	Description
1	56471193	1	Grip
2	56376254	1	Pin
3	56261076	1	Lever
4	56185264	1	Bearing, Flange
5	56261100	1	Cable Assembly
6	56321125	1	Retaining Ring 1/4
7	56261069	1	Lever Weldment
8	56321427	1	Retaining Ring 3/8
9	56261020	1	Sprocket
10	56388702	1	Drum, Brake
11	56321427	6	Ring, Retaining Ext 3/8
12	56261014	2	Arm, Brake
13	56261015	1	Pin, Brake
14	56402745	1	Strap Assembly, Brake
15	56388672	1	Pin
16	56261223	1	Adapter
17	56261058	2	Bushing, 1.0 x 1.2 x .69
18	56378704	1	Key, 1/4 x 1.18
19	56261230	1	Key, Square
20	56261019	1	Shaft
21	56261028	1	Wheel
22	56261334	1	Wheel & Axle Assembly
23	56471148	1	Sprocket, 40 B11
24	56002063	4	Washer, SAE 3/8
25	56002090	4	Screw, Hex Head Cap 3/8-16 x 1.12
26	56444308	2	Bearing, PB Assembly 1.00
27	56261011	1	Wheel Mount Weldment
28	56002234	4	Screw, Hex Head Cap 3/8-16 x 5/8
29	56001990	4	Washer, Spring Lock 3/8
30	56261046	1	Drive Assembly TSB 506 - G9
31	56261240	1	Clamp
32	56261017	1	Hanger, Motor
33	56001854	2	Screw, Hex Head Cap 1/4-20 x 1/2
34	56469858	2	Insulated Stand-Off
35	56454376	2	Stud, 1/4-20 x 1 5/16
36	56002098	2	Washer, SAE 1/4
37	56001907	2	Washer, Spring Lock 1/4
38	56001976	2	Nut, Hex Machine 1/4
39	56261040	1	Chain, Roller O-Ring

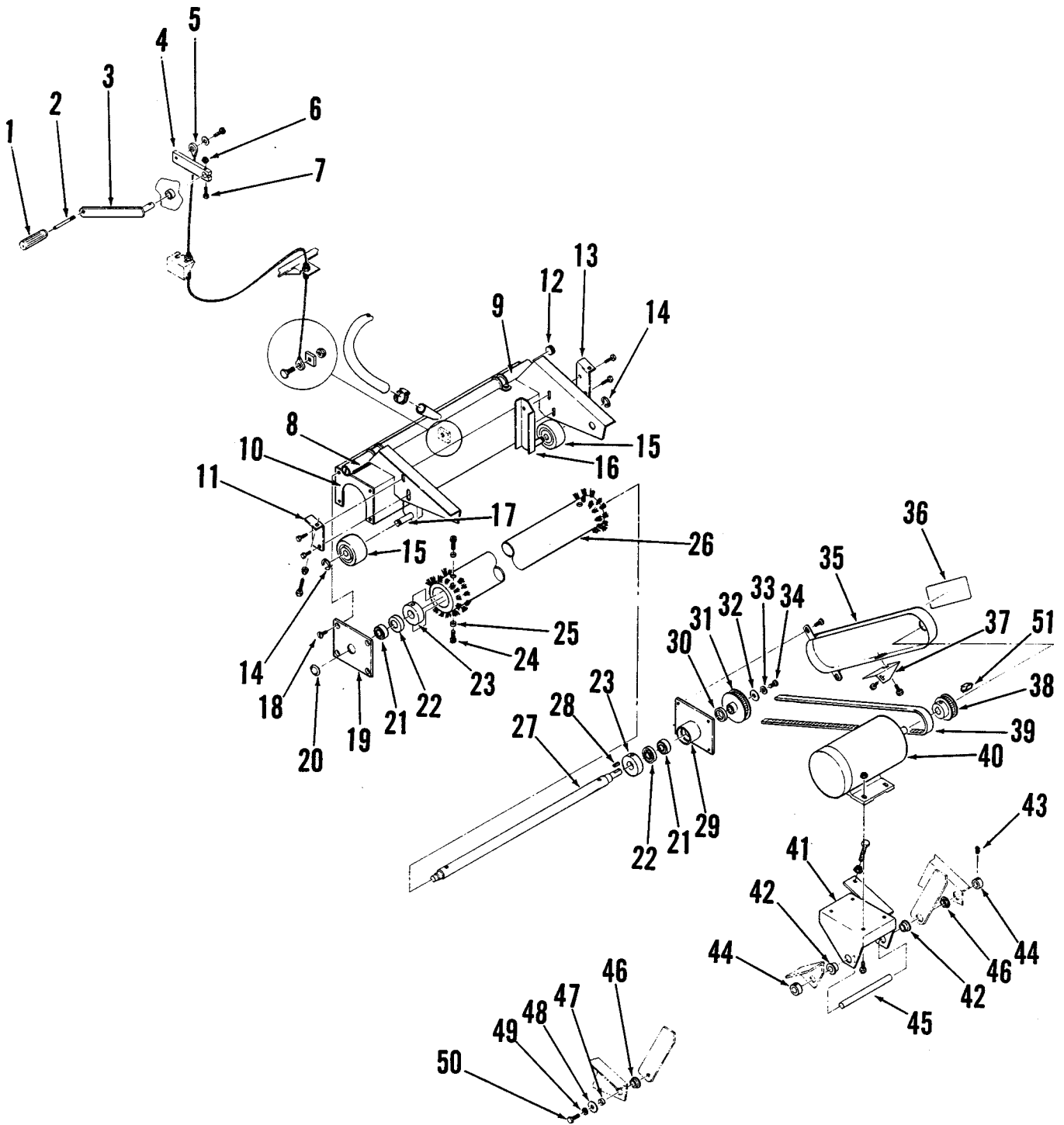
BRUSH DRIVE ASSEMBLY

87-2

18

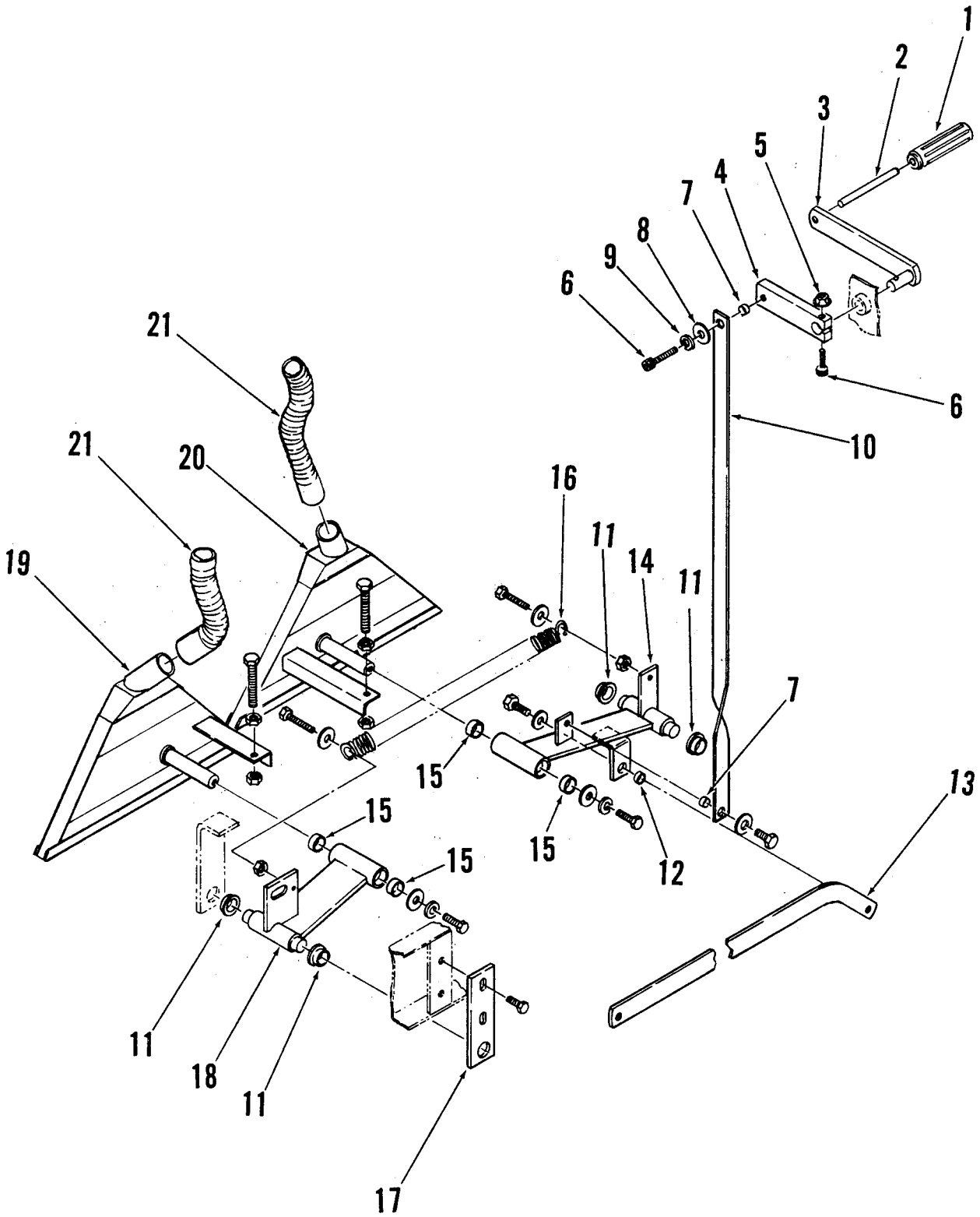
Aquamatic™ 26BF

00-9



87-2	BRUSH DRIVE ASSEMBLY			
00-9	Aquamatic™ 26BF			19

Item	Ref. No.	Qty	Description
1	56471193	1	Grip
2	56376254	1	Pin
3	56261078	1	Lever Weldment, Right
4	56261080	1	Lever
5	56261098	1	Cable Assembly
6	56001827	4	Flange Nut
7	56002034	4	Screw, Socket Head
8	56385448	4'	Gasket
9	56261232	1	Manifold
10	56261132	1	Brush Housing Weldment
11	56261270	1	Bracket, Adjuster Right
12	56245014	2	Plug, Pipe 3/8
13	56261269	1	Bracket, Adjuster Left
14	56468834	2	Ring, Retaining Ext 1/2
15	56261146	2	Wheel, 2.50
16	56261140	1	Wheel Mount Weldment Left
17	56261139	1	Wheel Mount Weldment Right
18	56900649	8	Screw, PH Flat Head 10-24 x 3/8 SS
19	56261129	1	Pillow Block Weldment Right
20	56322231	1	Plug Button
21	56220529	2	Bearing, Ball .5000
22	56218049	2	Seal, Shaft .656
23	56261121	2	Collar
24	56002086	1	Screw, Socket Set 5/16-18 x 1/4
25	56368989	4	Bushing
26	56261144	1	Brush 24"
27	56261122	1	Shaft
28	56320218	1	Key, 1/8 x 3/8
29	56261126	1	Pillow Block Weldment Left
30	56366331	1	Shaft, Seal .750
31	56261114	1	Pulley
32	56454626	1	Washer, .26 x 1 x .074
33	56752973	1	Washer, Lock SS .250
34	56249584	1	Screw, Truss Head SS 303 1/4-20 x 3/4
35	56261287	1	Guard Weldment
36	56030078	1	Decal, Belt Guard
37	56261286	1	Bracket
38	56261119	1	Pulley
39	56261117	1	Belt, SYNC
40	56261210	1	Motor Brush
41	56261110	1	Bracket Weldment
42	56465366	2	Bearing Flange
43	56009131	2	Screw, Soc Set Loc 5/16-18 x .31
44	56152811	2	Collar, Shaft 1/2
45	56261115	1	Rod
46	56261145	2	Bearing Flange
47	56320595	1	Bushing
48	56152781	1	Washer, .34 x .93 x .12
49	56001905	1	Lock Washer, 5/16
50	56002035	1	Screw, Hex Head Cap 5/16-18 x 5/8
51	56367958	1	Key, 3/16 x 1-1/8



87-2	VACUUM TOOLS AND LINKAGE		
00-9	Aquamatic™ 26BF		21

Item	Ref. No.	Qty	Description
1	56471193	1	Grip
2	56376254	1	Pin
3	56261081	1	Lever Weldment, Left
4	56261080	1	Lever
5	56001827	1	Nut, Flanged Lock 1/4-20
6	56002034	2	Screw, Socket Hd Cap 1/4-20 x 1
7	56206784	1	Bushing
8	56002098	1	Washer, 1/4 SAE
9	56001907	1	Washer, Spring Lock 1/4
10	56261172	1	Linkage
11	56261173	4	Bearing, Flange
12	56320595	1	Bushing
13	56261171	1	Linkage
14	56261162	1	Arm Weldment, Left
15	56491656	4	Bearing, Sleeve
16	56371114	1	Spring, Extension
17	56261170	2	Bar
18	56261161	1	Arm Weldment, Right
19	56261151	1	Pick-Up Tool Weldment, Right
20	56261150	1	Pick-Up Tool Weldment, Left
21	56261123	2	Hose



Nilfisk-Advance, Inc.
14600 21st Avenue North
Plymouth, MN, 55447-3408
www.nilfisk-advance.com
Phone: 800-989-2235
Fax: 800-989-6566
©2000 Nilfisk-Advance, Inc.,
Plymouth, MN 55447-3408
Printed in the U.S.A.